

# AEG

## BHO18BL

Original instructions

Originalbetriebsanleitung

Notice originale

Istruzioni originali

Manual original

Manual original

Oorspronkelijke gebruiksaanwijzing

Original brugsanvisning

Original bruksanvisning

Bruksanvisning i original

Alkuperäiset ohjeet

Πρωτότυπο οδηγιών χρήσης

Orijinal işletme talimatı

Původním návodem k používání

Pôvodný návod na použitie

Instrukcją oryginalną

Eredeti használati utasítás

Izvirna navodila

Originalne pogonske upute

Instrukcijām oriģinālvalodā

Originali instrukcija

Algupärane kasutusjuhend

Оригинальное руководство по эксплуатации

Оригинално ръководство за експлоатация

Instrucțiuni de folosire originale

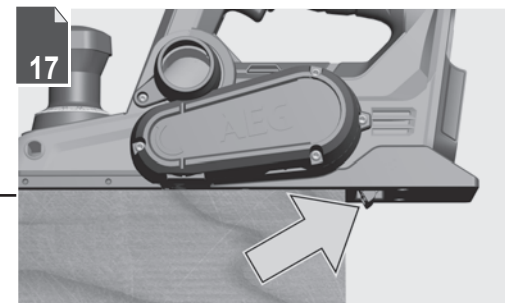
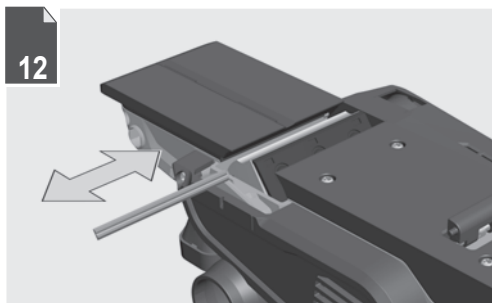
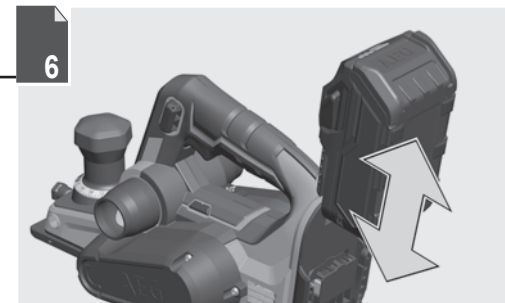
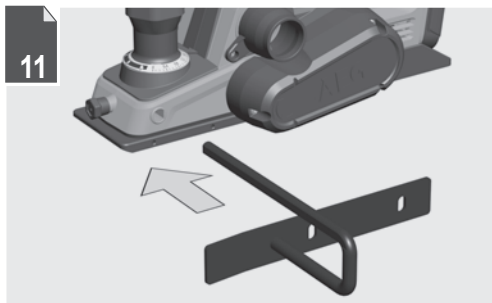
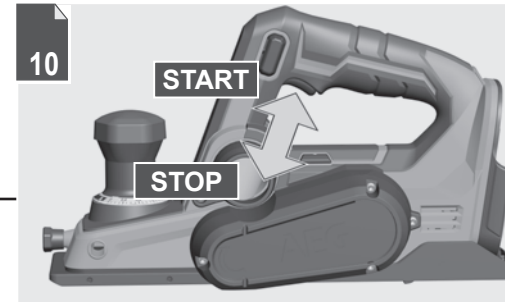
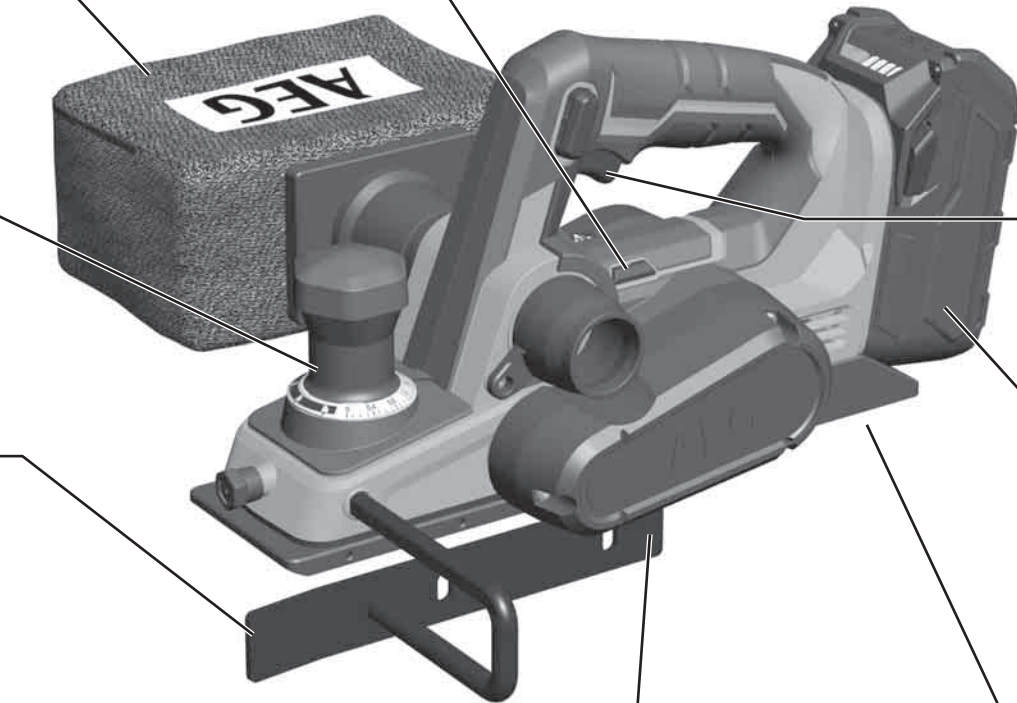
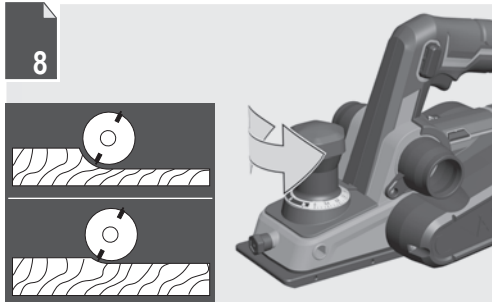
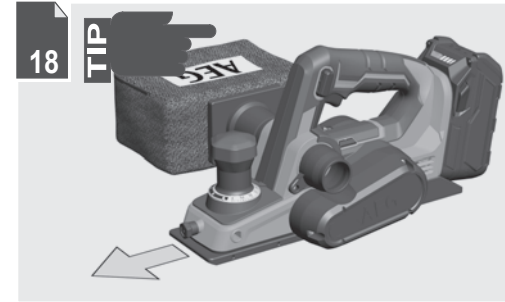
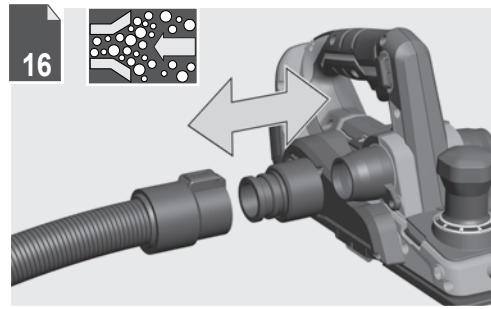
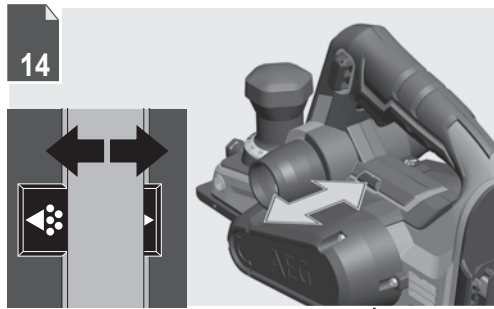
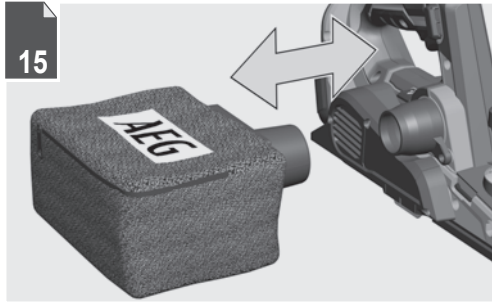
Оригинален прирачник за работа

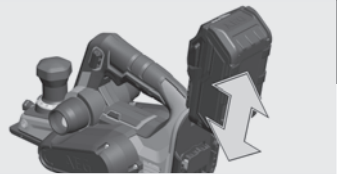
Оригінал інструкції з експлуатації

التعليمات الأصلية

<b>ENGLISH</b>		Picture section with operating description and functional description	<b>4</b>
<b>DEUTSCH</b>		Bildteil mit Anwendungs- und Funktionsbeschreibungen	<b>4</b>
<b>FRANÇAIS</b>		Partie imagée avec description des applications et des fonctions	<b>4</b>
<b>ITALIANO</b>		Sezione illustrata con descrizione dell'applicazione e delle funzioni	<b>4</b>
<b>ESPAÑOL</b>		Sección de ilustraciones con descripción de aplicación y descripción funcional	<b>4</b>
<b>PORTUGUES</b>		Parte com imagens explicativas contendo descrição operacional e funcional	<b>4</b>
<b>NEDERLANDS</b>		Beeldgedeelte met toepassings- en functiebeschrijvingen	<b>4</b>
<b>DANSK</b>		Billedel med anvendelses- og funktionsbeskrivelser	<b>4</b>
<b>NORSK</b>		Billedel med bruks- og funksjonsbeskrivelse	<b>4</b>
<b>SVENSKA</b>		Bilddel med användnings- och funktionsbeskrivning	<b>4</b>
<b>SUOMI</b>		Kuvasivut käyttö- ja toimintakuvaus	<b>4</b>
<b>ΕΛΛΗΝΙΚΑ</b>		Τμήμα εικόνων με περιγραφές χρήσης και λειτουργίας	<b>4</b>
<b>TÜRKÇE</b>		Resim bölümü Uygulama ve fonksiyon açıklamaları ile birlikte	<b>4</b>
<b>ČESKY</b>		Obrazová část s popisem aplikací a funkcí	<b>4</b>
<b>SLOVENSKY</b>		Obrazová část s popisem aplikací a funkcí	<b>4</b>
<b>POLSKI</b>		Część rysunkowa z opisami zastosowania i działania	<b>4</b>
<b>MAGYAR</b>		Képes részalkalmazási- és működési leírásokkal	<b>4</b>
<b>SLOVENSKO</b>		Del slike z opisom uporabe in funkcij	<b>4</b>
<b>HRVATSKI</b>		Dio sa slikom sa opisima primjene i funkcija	<b>4</b>
<b>LATVISKI</b>		Attēla daļa ar lietošanas un funkciju aprakstiem	<b>4</b>
<b>LIETUVIŠKAI</b>		Paveikslėlio dalis su aprašymais ir funkcijų aprašymais	<b>4</b>
<b>EESTI</b>		Pildiosa kasutusjuhendi ja funktsioonide kirjeldusega	<b>4</b>
<b>РУССКИЙ</b>		Раздел иллюстраций с описанием эксплуатации и функций	<b>4</b>
<b>БЪЛГАРСКИ</b>		Част със снимки с описание за приложение и функции	<b>4</b>
<b>ROMÂNIA</b>		Secvența de imagine cu descrierea utilizării și a funcționării	<b>4</b>
<b>МАКЕДОНСКИ</b>		Дел со слики со описи за употреба и функционирање	<b>4</b>
<b>УКРАЇНСЬКА</b>		Частина з зображеннями з описом робіт та функцій	<b>4</b>
<b>عربي</b>		قسم الصور يوجد به الوصف التشغيلي والوظيفي	<b>4</b>

Text section with Technical Data, important Safety and Working Hints and description of Symbols	<b>20</b>
Textteil mit Technischen Daten, wichtigen Sicherheits- und Arbeitshinweisen und Erklärung der Symbole.	<b>22</b>
Partie textuelle avec les données techniques, les consignes importantes de sécurité et de travail ainsi que l'explication des pictogrammes.	<b>24</b>
Sezione testo con dati tecnici, importanti informazioni sulla sicurezza e sull'utilizzo, spiegazione dei simboli.	<b>26</b>
Sección de texto con datos técnicos, indicaciones importantes de seguridad y trabajo y explicación de los símbolos.	<b>28</b>
Parte com texto explicativo contendo Especificações técnicas, Avisos de segurança e de operação e a Descrição dos símbolos.	<b>30</b>
Tekstgedeelte met technische gegevens, belangrijke veiligheids- en arbeidsinstructies en verklaring van de symbolen.	<b>32</b>
Tekstdel med tekniske data, vigtige sikkerheds- og arbejdsanvisninger og symbolforklaring.	<b>34</b>
Tekstdel med tekniske data, viktige sikkerhets- og arbeidsinstruksjoner og forklaring av symbolene.	<b>36</b>
Textdel med tekniska informationer, viktiga säkerhets- och användningsinstruktioner samt symbolförklaringar.	<b>38</b>
Tekstisivut: tekniset tiedot, tärkeät turvallisuus- ja työskentelyohjeet sekä merkien selitykset.	<b>40</b>
Τμήμα κειμένου με τεχνικά χαρακτηριστικά, σημαντικές υποδείξεις ασφαλείας και εργασίας και εξήγηση των συμβόλων.	<b>42</b>
Teknik bilgileri, önemli güvenlik ve çalışma açıklamalarını ve de sembollerin açıklamalarını içeren metin bölümü.	<b>44</b>
Textová část s technickými daty, důležitými bezpečnostními a pracovními pokyny a s vysvětlivkami symbolů	<b>46</b>
Textová část s technickými datami, důležitými bezpečnostními a pracovními pokyny a s vysvětlivkami symbolů	<b>48</b>
Część opisowa z danymi technicznymi, ważnymi wskazówkami dotyczącymi bezpieczeństwa i pracy oraz objaśnieniami symboli.	<b>50</b>
Szöveges rész műszaki adatokkal, fontos biztonsági- és munkavégzési útmutatásokkal, valamint a szimbólumok magyarázata.	<b>52</b>
Del besedila s tehničnimi podatki, pomembnimi varnostnimi opozorili in delovnimi navodili in pojasnili simbolov.	<b>54</b>
Dio štiva sa tehničkim podacima, važnim sigurnosnim i radnim uputama i objašnjenjem simbola.	<b>56</b>
Teksta daļa ar tehnikajiem parametriem, svarīgiem drošības un darbības norādījumiem, simbolu atšifrējumiem.	<b>58</b>
Teksto dalis su techniniais duomenimis, svarbiomis saugumo ir darbo instrukcijomis bei simbolių paaiškinimais.	<b>60</b>
Tekstiosa tehniiliste näitajate, oluliste ohutus- ja tööjuhenditega ning sümbolite kirjeldustega.	<b>62</b>
Текстовый раздел, включающий технические данные, важные рекомендации по безопасности и эксплуатации, а также описание используемых символов.	<b>64</b>
Част с текст с технически данни, важни указания за безопасност и работа и разяснение на символите.	<b>66</b>
Porțiune de text cu date tehnice, indicații importante privind siguranța și modul de lucru și descrierea simbolurilor.	<b>68</b>
Tekstuālen del со Технички карактеристики, важни безбедносни и работни упатства и објаснување на символите.	<b>70</b>
Текстова частина з техничними даними, важливими вказівками з техніки безпеки та експлуатації і поясненням символів.	<b>72</b>
القسم النصي المزود بالبيانات الفنية والنصائح الهامة للسلامة والعمل ووصف الرموز	<b>75</b>





Remove the battery pack before starting any work on the machine.

Vor allen Arbeiten an der Maschine den Wechselakku herausnehmen

Avant tous travaux sur la machine retirer l'accu interchangeable.

Prima di iniziare togliere la batteria dalla macchina.

Retire la batería antes de comenzar cualquier trabajo en la máquina.

Antes de efectuar cualquier intervención na máquina retirar o bloco acumulador.

Voor alle werkzaamheden aan de machine de akku verwijderen.

Ved arbejde inden i maskinen, bør batteriet tages ud.

Ta ut vekselbatteriet før du arbeider på maskinen

Drag ur batteripaket innan arbete utföres på maskinen.

Tarkista pistotulppa ja verkkojohto mahdollisilta vaurioilta. Viat saa korjata vain alan erikoisiesimies.

Πριν από κάθε εργασία στη μηχανή αφαιρέστε την ανταλλακτική μπαταρία.

Aletin kendinge bir çalışma yapmadan önce kartuş aküyü çıkarın.

Před zahájením veškerých prací na vrtacím šroubováků vyjmout výměnný akumulátor.

Pred každou prácou na stroji výmenný akumulátor vytiahnuť.

Przed przystąpieniem do jakichkolwiek prac na elektronarzędziu należy wyjąć wkładkę akumulatorową.

Karbantartás, javítás, tisztítás, stb. előtt az akkumulátort ki kell venni a készülékből.

Pred deli na stroju izvlecite izmenljivi akumulator.

Prije svih radova na stroju izvaditi bateriju za zamjenu.

Pirms mašīnai veikt jebkāda veida apkopes darbus, ir jāizņem ārā akumulators.

Prieš atlikdami bet kokius darbus įrenginyje, išimkite keičiamą akumuliatorių.

Enne kõiki töid masina kallal võtke vahetatav aku välja.

Виньте аккумулятор из машины перед проведением с ней каких-либо манипуляций.

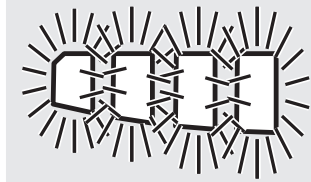
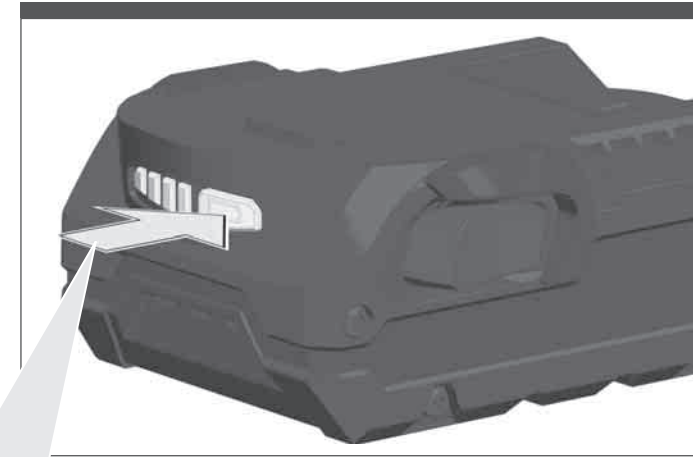
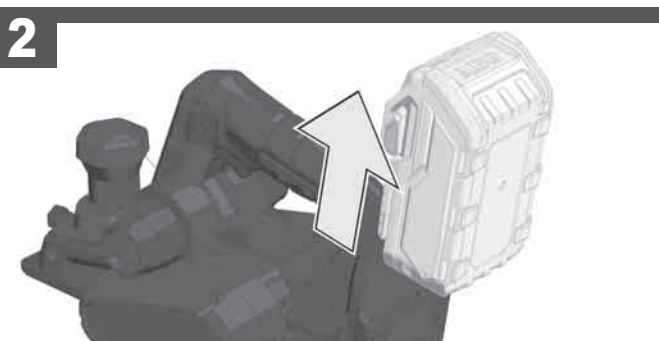
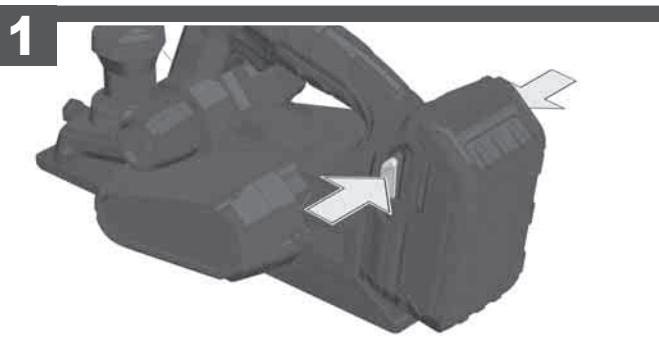
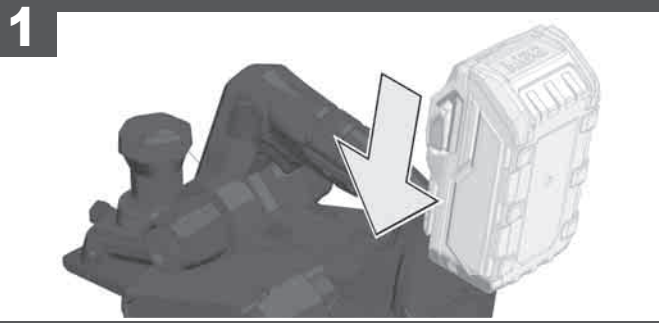
Преди започване на каквито и да е работи по машината извадете акумулатора.

Scoateți acumulatorul înainte de a începe orice intervenție pe mașină.

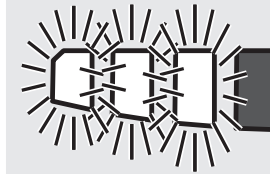
Отстранете ја батеријата пред да започнете да ја користите машината.

Перед будь-якими роботами на машині ви́няти змінну акумуляторну батарею.

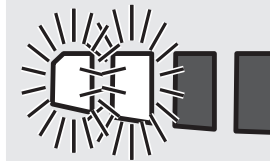
قم بإزالة حزمة البطارية قبل البدء في أي أعمال على الجهاز.



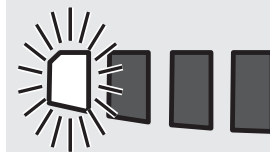
75-100 %



50-75 %

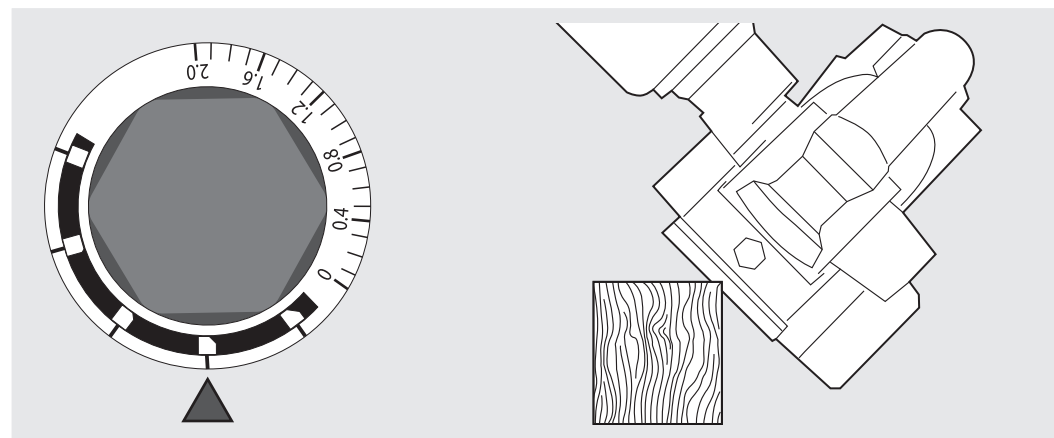
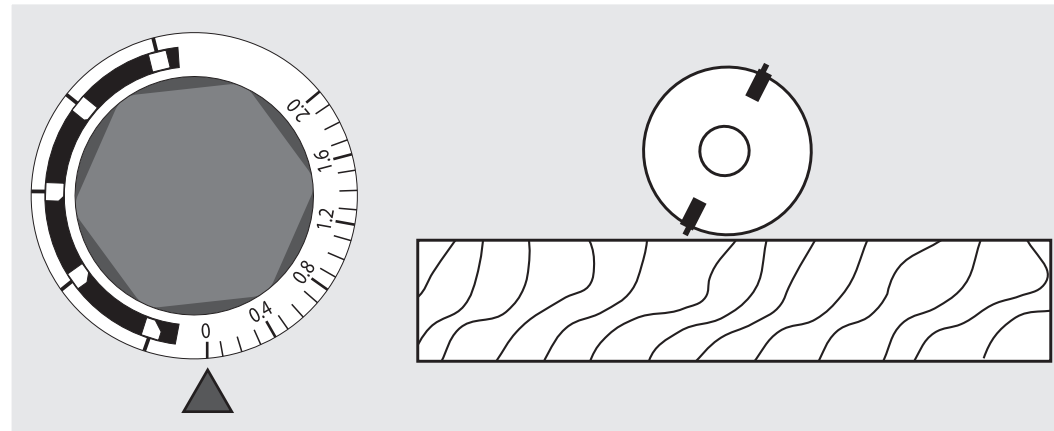
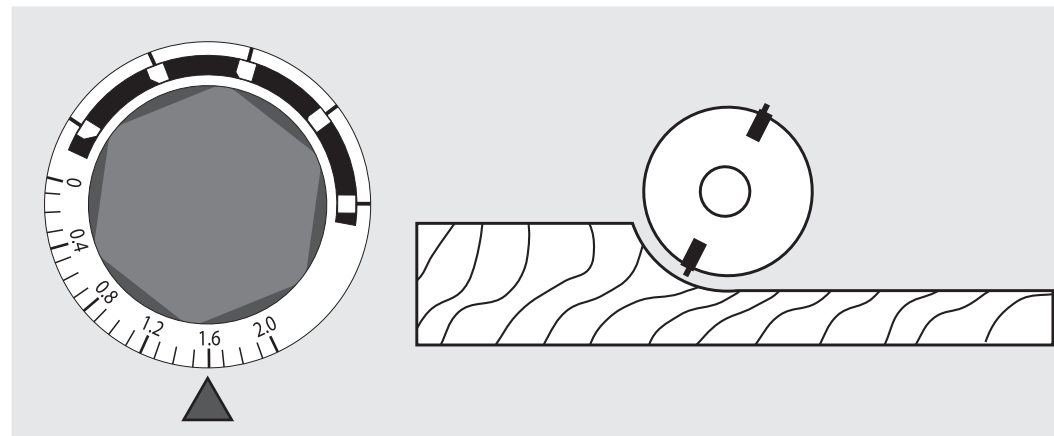
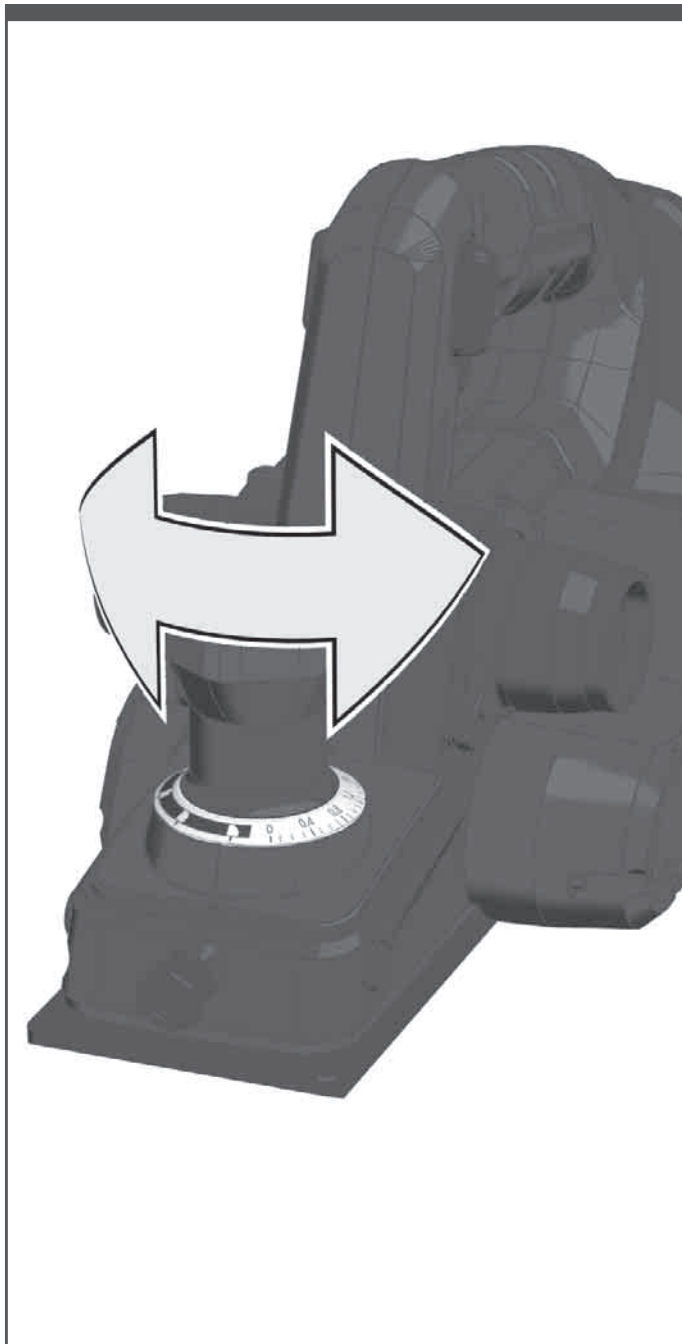
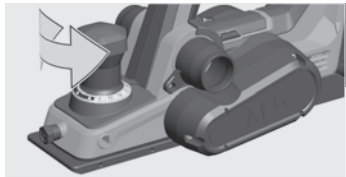


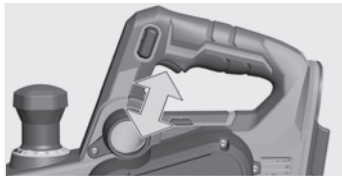
25-50 %



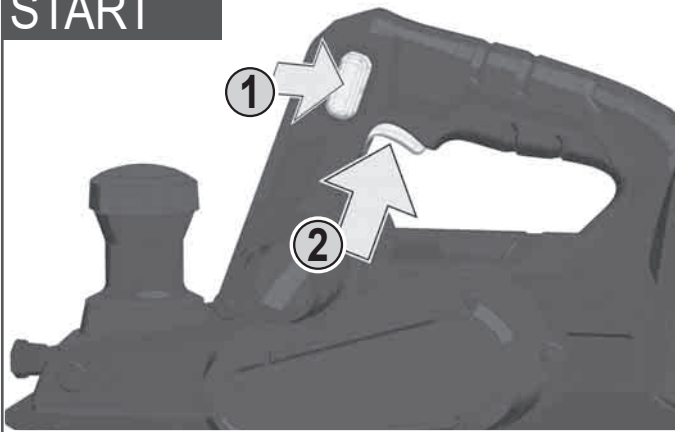
0-25 %



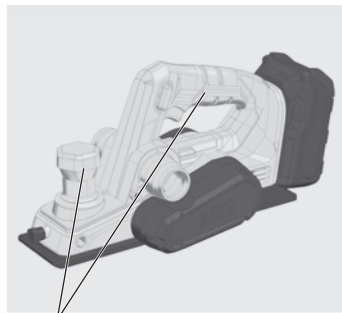
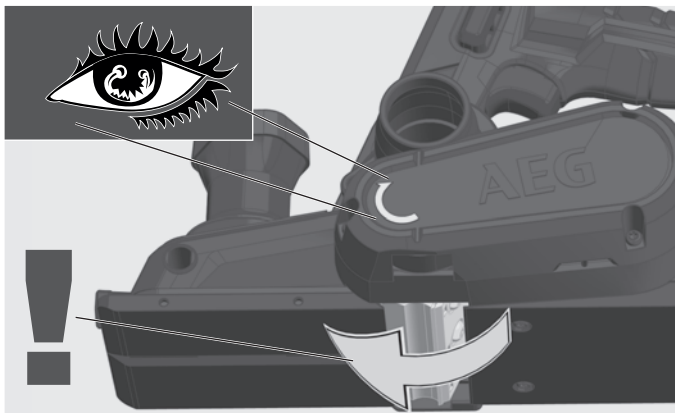
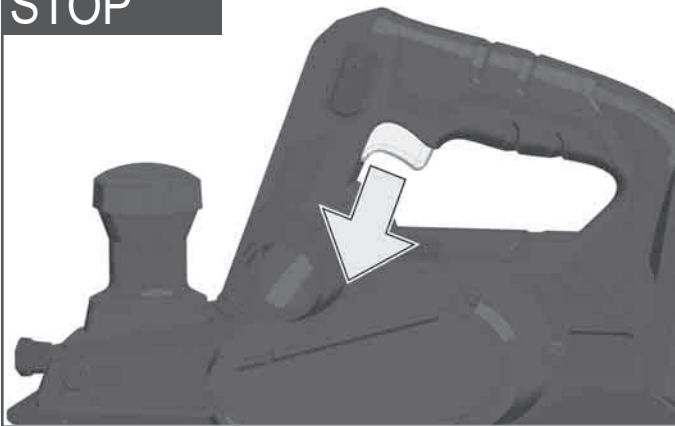




START



STOP



Insulated gripping surface  
 Isolierte Grifffläche  
 Surface de prise isolée  
 Superficie di presa isolata  
 Superficie de agarre con aislamiento  
 Superficie de pega isolada  
 Geisoleerd  
 Isolerede gribeflader  
 Isolert gripeflate  
 Isolerad greppyta  
 Eristetty tarttumapinta  
 Μονωμένη επιφάνεια λαβής  
 Izolasyonlu tutma yüzeyi  
 Izolovaná uchopovací plocha  
 Izolovaná úchopná plocha  
 Izolowaną powierzchnią  
 Szigetelt fogófelület  
 Izolirana prijemalna površina  
 Izolirana površina za držanje  
 Izolēta satveršanas virsma  
 Izoliuotas rankenos paviršius  
 Isoleeritud pideme piirkond  
 Изолированная поверхность ручки  
 Изолірована поверхнoст за хвaщaнe  
 Suprafață de prindere izolată  
 Изолирана површина  
 İzolüvövanä yüzeyi

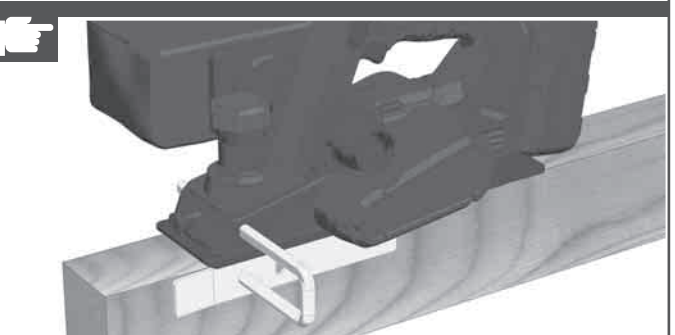
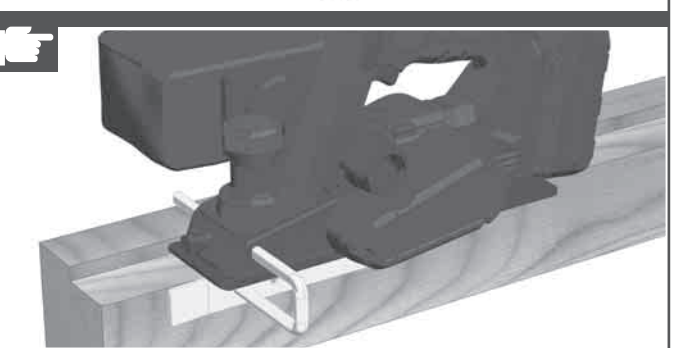
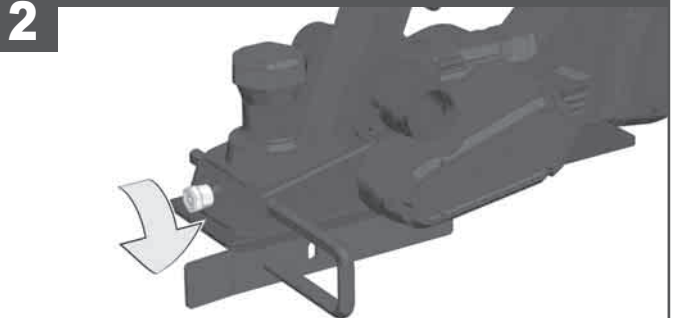
مساحة القبض معزولة



1

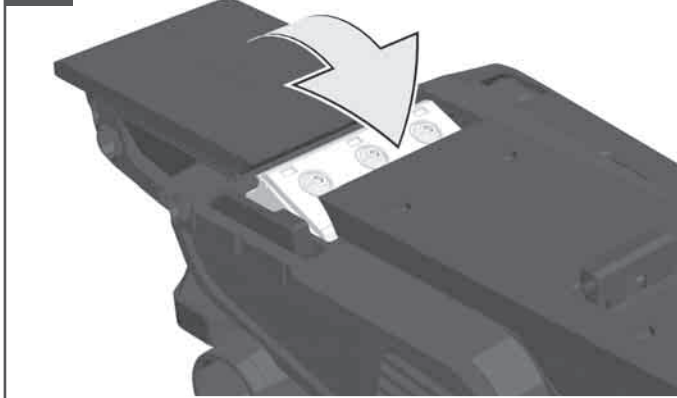


2

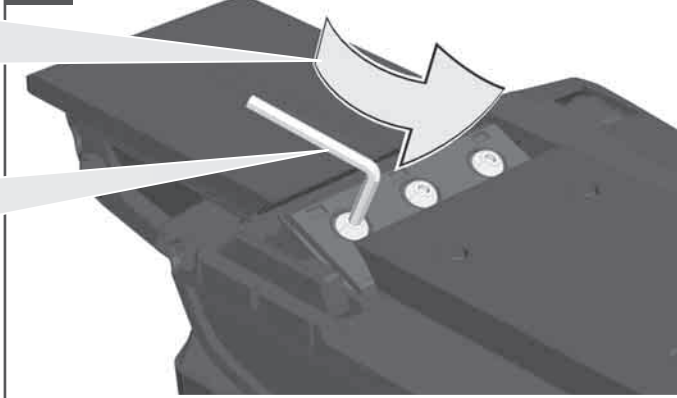




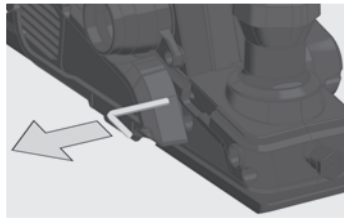
1



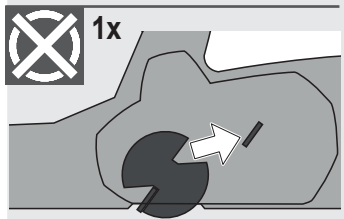
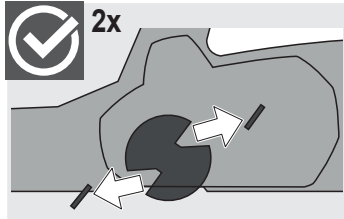
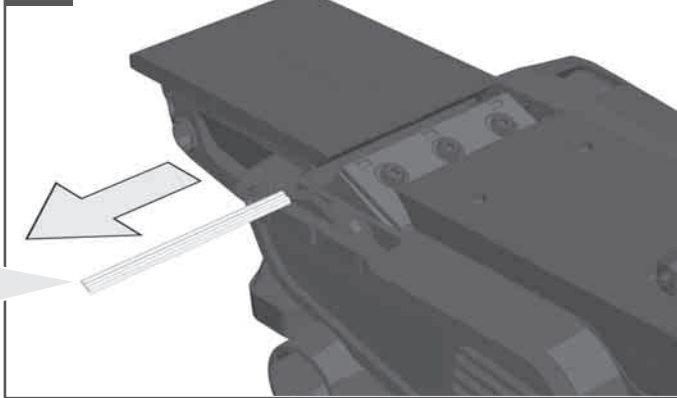
2



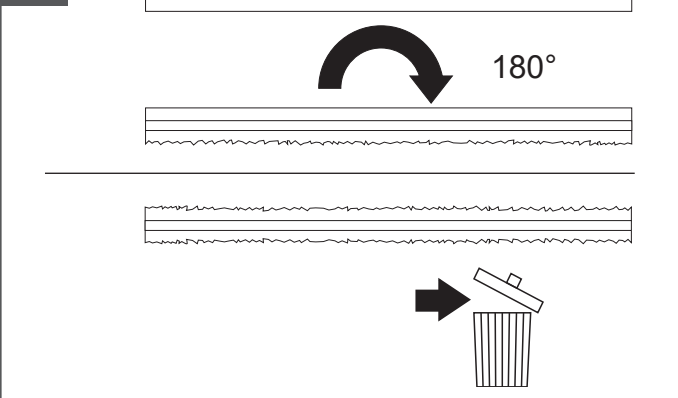
Max 1 x



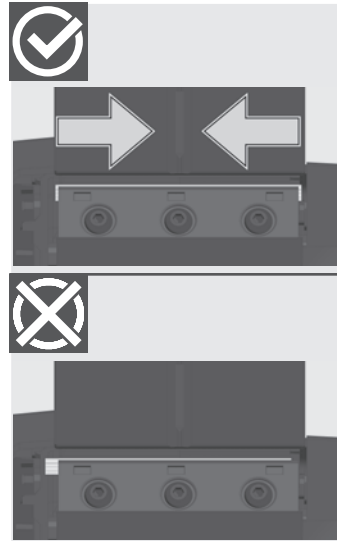
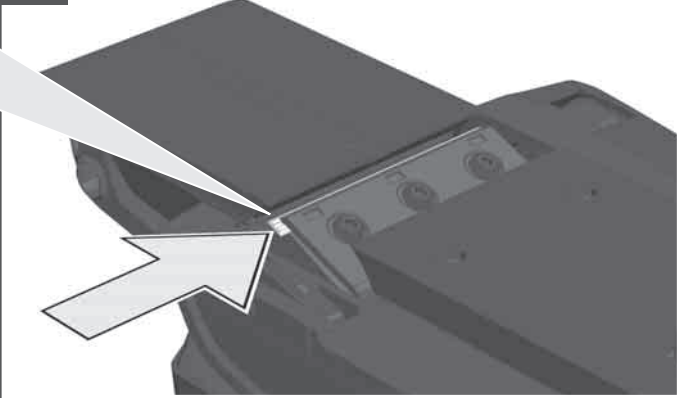
3



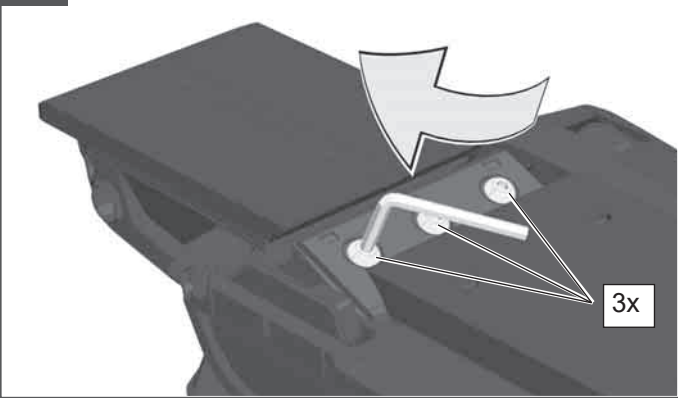
4



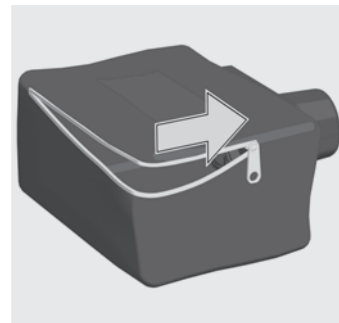
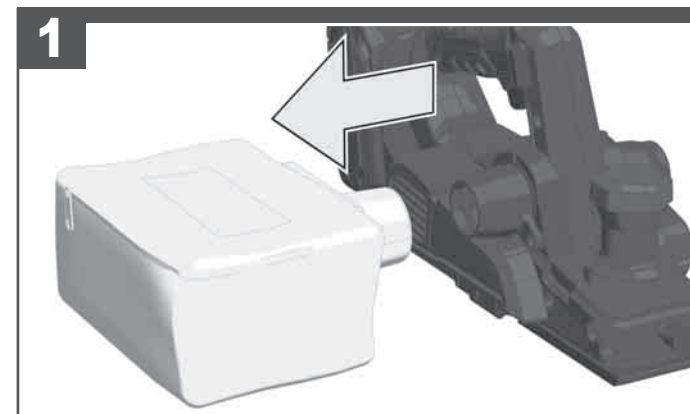
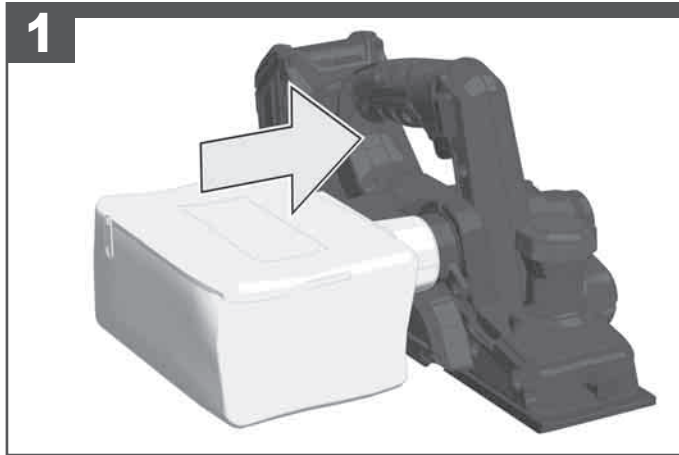
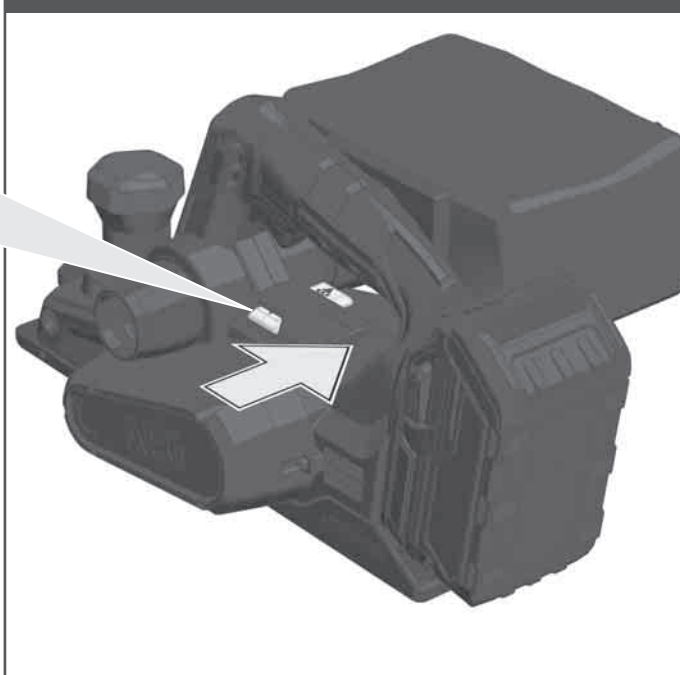
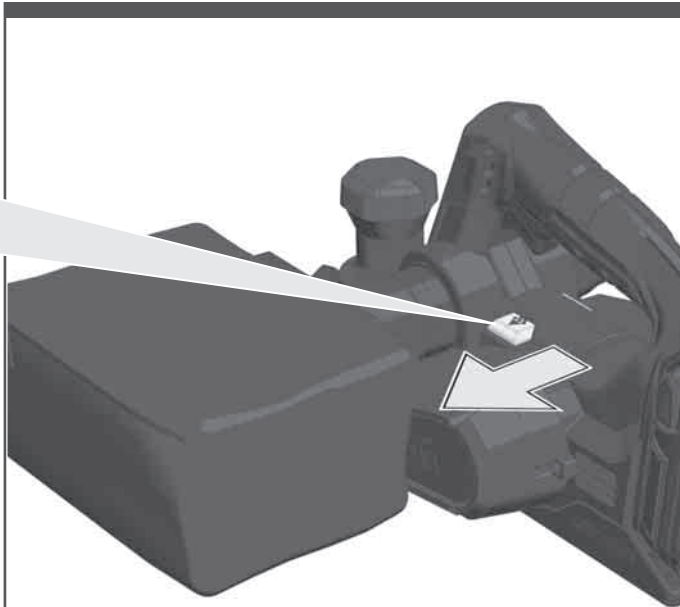
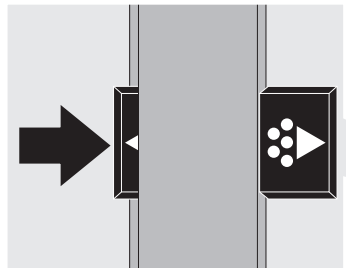
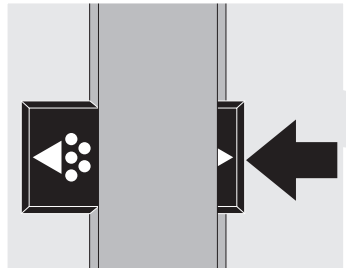
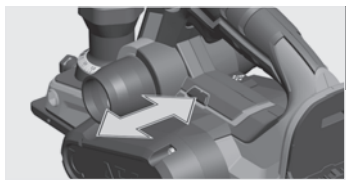
5



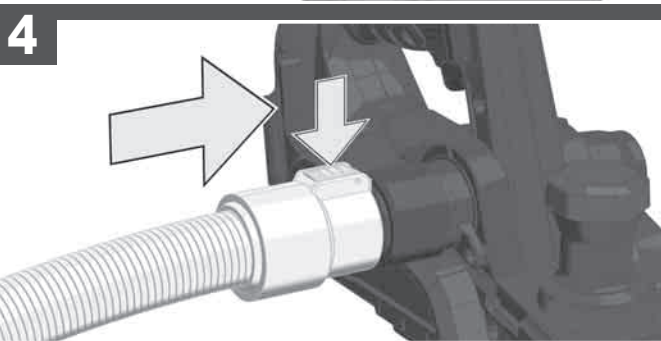
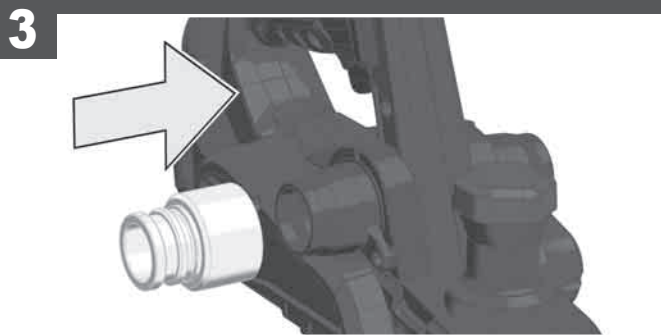
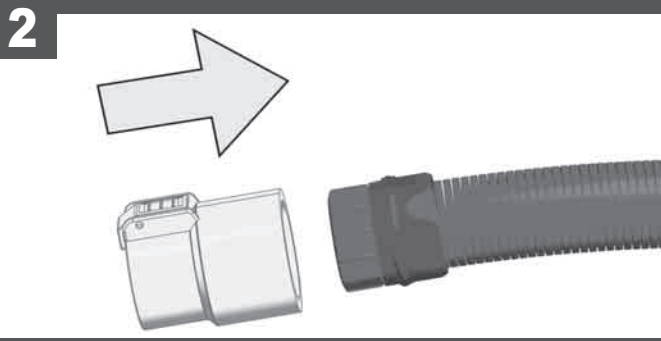
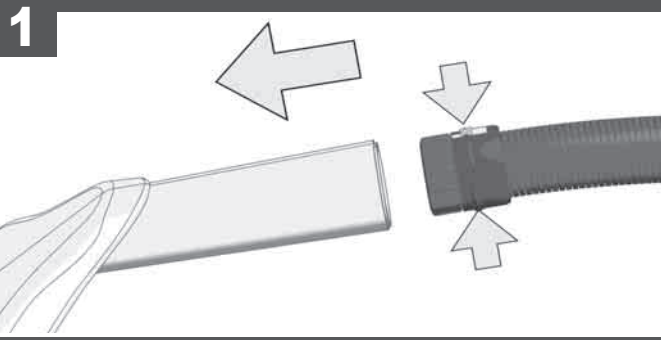
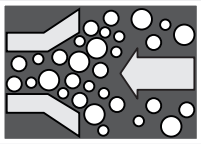
6



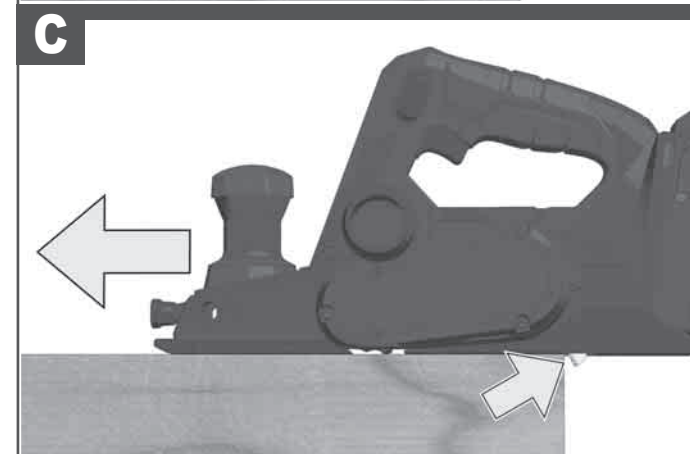
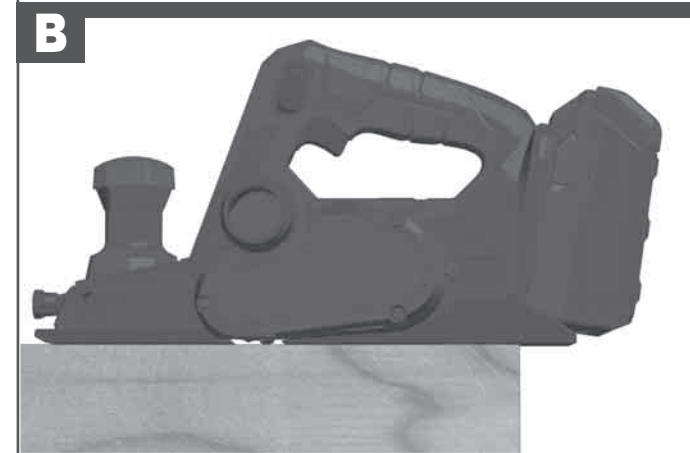
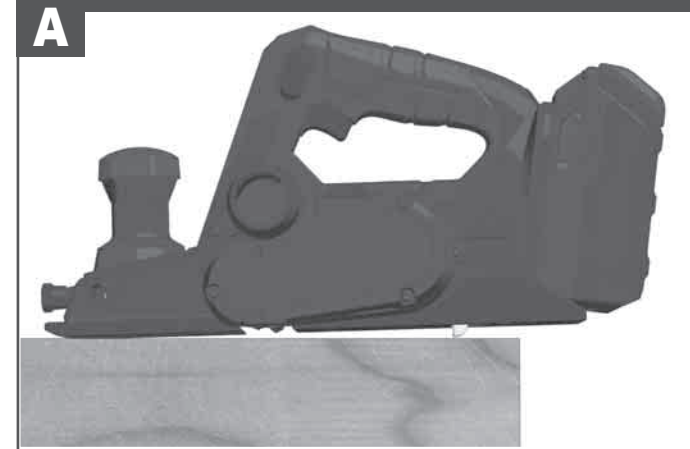
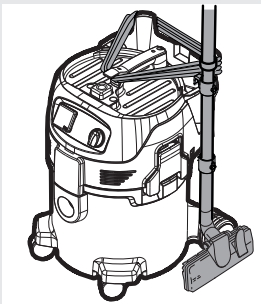
3x

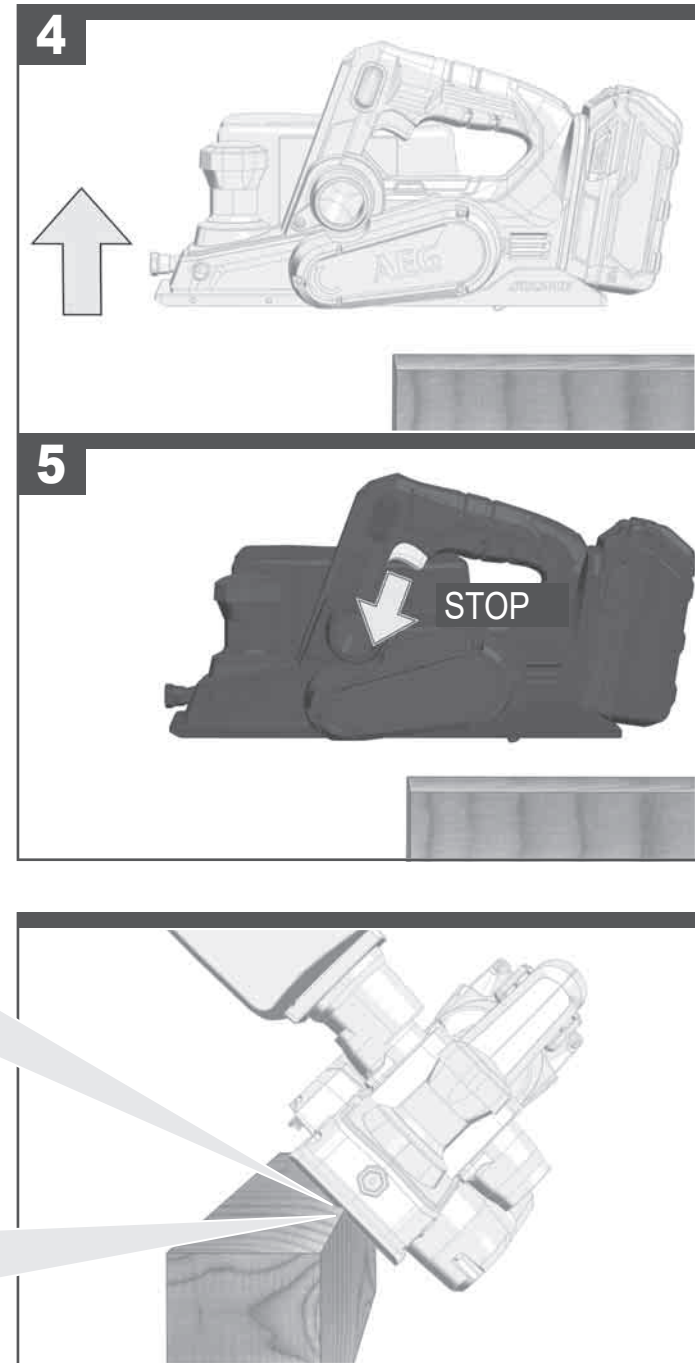
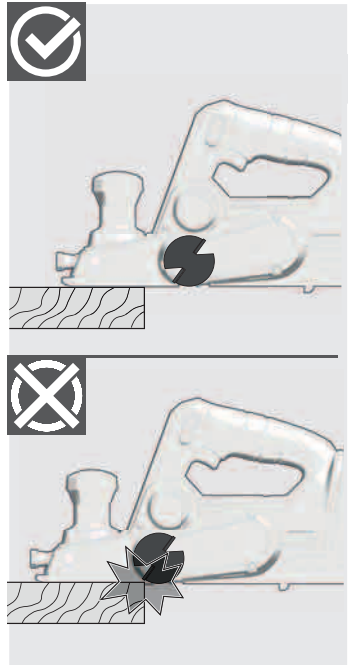
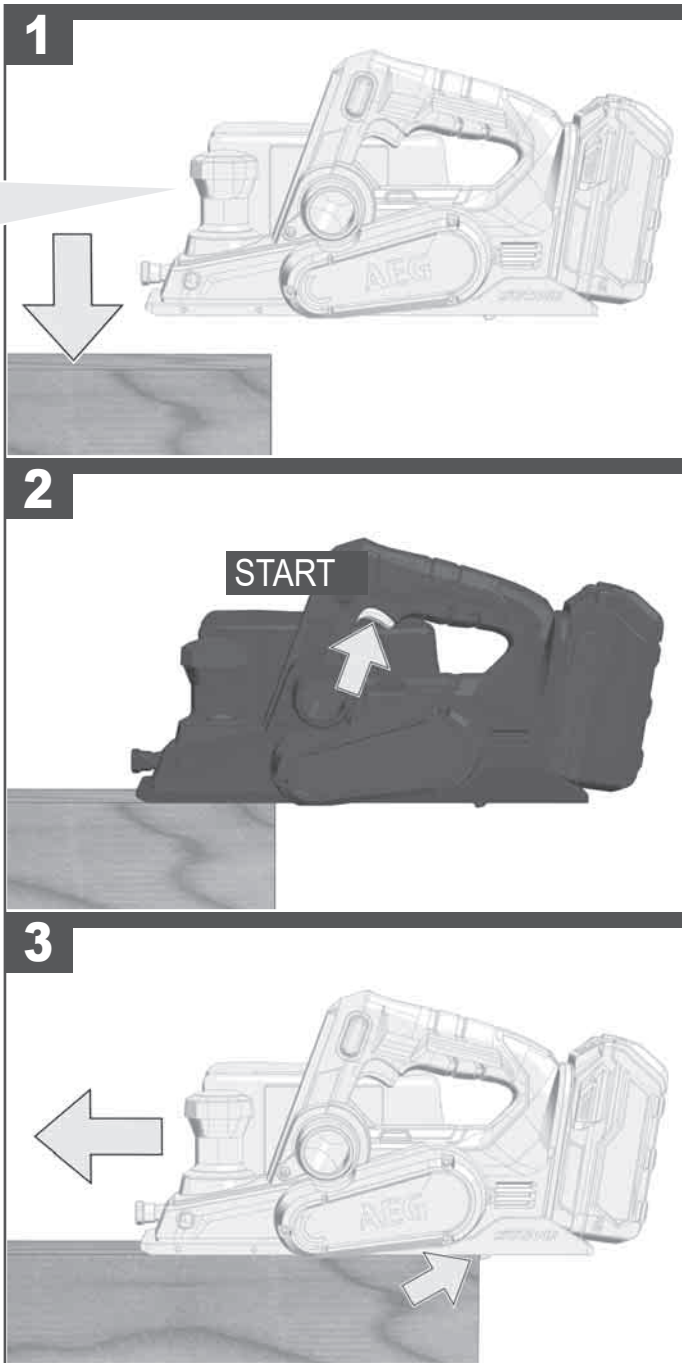






- Accessory
- Zubehör
- Accessoire
- Accessorio
- Accessorio
- Accessório
- Toebehoren
- Tilbehør
- Tilbehør
- Tillbehör
- Lisälaite
- Εξαρτήματα
- Aksesuar
- Příslušenství
- Príslušenstvo
- Element wyposażenia dodatkowego
- Tartozék
- Oprema
- Pribor
- Papildus aprīkojums
- Priedas
- Tarvikud
- Дополнитель
- Аксесоар
- Accesorii
- Додатки
- Комплектуючи
- الملحق





TECHNICAL DATA	CORDLESS PLANER	BHO18BL
Production code.....	4743 18 01...	..000001-999999
Battery voltage.....	18 V	
Planing width.....	82 mm	
Planing depth max.....	2.0 mm	
Rabbet depth.....	12.5 mm	
No-load speed.....	14300 min <sup>-1</sup>	
Weight according EPTA-Procedure 01/2014 (1,5 Ah - 9,0 Ah).....	3,1 - 3,8 kg	
Recommended ambient operating temperature.....	-18...+50 °C	
Recommended battery types.....	L1815R ... L1890RHD	
Recommended charger.....	BL1418	

#### Noise/vibration information

Measured values determined according to EN 62841.

Typically, the A-weighted noise levels of the tool are:

Sound pressure level (K=3 dB(A)).....	89,5 dB (A)
Sound power level (K=3 dB(A)).....	100,5 dB (A)

#### Wear ear protectors!

Total vibration values (vector sum in the three axes) determined according to EN 62841.

Vibration emission value a <sub>h</sub> .....	3,4 m/s <sup>2</sup>
Uncertainty K.....	1,5 m/s <sup>2</sup>

#### WARNING

The vibration and noise emission level given in this information sheet has been measured in accordance with a standardized test given in EN 62841 and may be used to compare one tool with another. It may be used for a preliminary assessment of exposure.

The declared vibration and noise emission level represents the main applications of the tool. However if the tool is used for different applications, with different accessories or poorly maintained, the vibration and noise emission may differ. This may significantly increase the exposure level over the total working period.

An estimation of the level of exposure to vibration and noise should also take into account the times when the tool is switched off or when it is running but not actually doing the job. This may significantly reduce the exposure level over the total working period.

Identify additional safety measures to protect the operator from the effects of vibration and/or noise such as: maintain the tool and the accessories, keep the hands warm, organization of work patterns.

**⚠ WARNING Read all safety warnings, instructions, illustrations and specifications provided with this power tool.** Failure to follow all instructions listed below may result in electric shock, fire and/or serious injury.

**Save all warnings and instructions for future reference.**

#### ⚠ SAFETY INSTRUCTIONS FOR PLANERS

**Wait for the cutter to stop before setting the tool down.** An exposed rotating cutter may engage the surface leading to possible loss of control and serious injury.

**Use clamps or another practical way to secure and support the workpiece to a stable platform.** Holding the workpiece by your hand or against the body leaves it unstable and may lead to loss of control

#### ⚠ ADDITIONAL SAFETY AND WORKING INSTRUCTIONS

Always wear goggles when using the machine. It is recommended to wear gloves, sturdy non slipping shoes and apron.

Always use the protective shields on the machine.

Only plane with sharp blades and avoid metal (nails, screws).

Never reach into the danger area of the plane when it is running.

The dust produced when using this tool may be harmful to health. Do not inhale the dust. Wear a suitable dust protection mask.

Do not machine any materials that present a danger to health (e.g. asbestos).

Switch the device off immediately if the insertion tool stalls! Do not switch the device on again while the insertion tool is stalled, as doing so could trigger a sudden recoil with a high reactive force. Determine why the insertion tool stalled and rectify this, paying heed to the safety instructions.

The possible causes may be:

- it is tilted in the workpiece to be machined
- it has pierced through the material to be machined
- the power tool is overloaded

Do not reach into the machine while it is running.

The insertion tool may become hot during use.

**WARNING!** Danger of burns

- when changing tools
- when setting the device down

Chips and splinters must not be removed while the machine is running.

Do not dispose of used battery packs in the household refuse or by burning them. AEG Distributors offer to retrieve old batteries to protect our environment.

Do not store the battery pack together with metal objects (short circuit risk).

Use only System GBS chargers for charging System GBS battery packs. Do not use battery packs from other systems.

No metal parts must be allowed to enter the battery section of the charger (short circuit risk).

Never break open battery packs and chargers and store only in dry rooms. Keep dry at all times.

Battery acid may leak from damaged batteries under extreme load or extreme temperatures. In case of contact with battery acid wash it off immediately with soap and water. In case of eye contact rinse thoroughly for at least 10 minutes and immediately seek medical attention.

**Warning!** To reduce the risk of fire, personal injury, and product damage due to a short circuit, never immerse your tool, battery pack or charger in fluid or al-low a fluid to flow inside them. Corrosive or conductive fluids, such as seawater, certain industrial chemicals, and bleach or bleach containing products, etc., Can cause a short circuit.

#### EC-DECLARATION OF CONFORMITY

We declare under our sole responsibility that the product described under "Technical Data" fulfills all the relevant provisions of the directives 2011/65/EU (RoHS), 2014/30/EU, 2006/42/EC and the following harmonized standards have been used:

EN 62841-1:2015  
EN 62841-2-14:2015  
EN 55014-1:2017  
EN 55014-2:2015  
EN IEC 63000:2018

Winnenden, 2019-26-02

*Alexander Krug*

Alexander Krug  
Managing Director

Authorized to compile the technical file

Techtronic Industries GmbH  
Max-Eyth-Straße 10  
71364 Winnenden  
Germany



#### SPECIFIED CONDITIONS OF USE

The planer can plane surfaces and rabbets, and bevel and chamfer edges.

Do not use this product in any other way as stated for normal use.

#### BATTERIES

Battery packs which have not been used for some time should be recharged before use.

Temperatures in excess of 50°C (122°F) reduce the performance of the battery pack. Avoid extended exposure to heat or sunshine (risk of overheating).

The contacts of chargers and battery packs must be kept clean.

For an optimum life-time, the battery packs have to be fully charged, after used.

To obtain the longest possible battery life remove the battery pack from the charger once it is fully charged.

For battery pack storage longer than 30 days:

Store the battery pack where the temperature is below 27°C and away from moisture

Store the battery packs in a 30% - 50% charged condition

Every six months of storage, charge the pack as normal.

#### BATTERY PACK PROTECTION

The battery pack has overload protection that protects it from being overloaded and helps to ensure long life.

Under extreme stress the battery electronics switch off the machine automatically. To restart, switch the machine off and then on again. If the machine does not start up again, the battery pack may have discharged completely. In this case it must be recharged in the battery charger.

#### TRANSPORTING LITHIUM BATTERIES

Lithium-ion batteries are subject to the Dangerous Goods Legislation requirements.

Transportation of those batteries has to be done in accordance with local, national and international provisions and regulations.

- The user can transport the batteries by road without further requirements.
- Commercial transport of Lithium-Ion batteries by third parties is subject to Dangerous Goods regulations. Transport preparation and transport are exclusively to be carried out by appropriately trained persons and the process has to be accompanied by corresponding experts.

When transporting batteries:

- Ensure that battery contact terminals are protected and insulated to prevent short circuit.
- Ensure that battery pack is secured against movement within packaging.
- Do not transport batteries that are cracked or leak.

Check with forwarding company for further advice

#### ADVICE FOR OPERATION

Never reach into the danger area of the plane when it is running.

Place the front page of the machine on to the workpiece and switch on, before the planer blade touches the workpiece and then guide evenly over the workpiece.

The selv opening swivel guard should be lifted only by the workpiece with the lever.

The v-shape notch in the front of the supporting plate ensures safe chamfering of edges.

When using the grooved planer blades, always use two blades with a different number of grooves.

#### MAINTENANCE

The ventilation slots of the machine must be kept clear at all times.

If the shavings discharge is stained with resin, remove it with a cloth soaked in turpentine substitute.

Use only AEG accessories and spare parts. Should components need to be replaced which have not been described, please contact one of our AEG service agents (see our list of guarantee/service addresses).

If needed, an exploded view of the tool can be ordered. Please state the Article No. as well as the machine type printed on the label and order the drawing at your local service agents or directly at: AEG Elektrowerkzeuge, Max-Eyth-Straße 10, D-71364 Winnenden, Germany.

#### SYMBOLS

	CAUTION! WARNING! DANGER!
	Remove the battery pack before starting any work on the machine.
	Please read the instructions carefully before starting the machine.
	Wear gloves!
	Wear ear protectors!
	Always wear goggles when using the machine.
	Accessory - Not included in standard equipment, available as an accessory.
	Do not dispose electric tools, batteries/rechargeable batteries together with household waste material. Electric tools and batteries that have reached the end of their life must be collected separately and returned to an environmentally compatible recycling facility. Check with your local authority or retailer for recycling advice and collection point.
$n_0$	No load speed
V	Volts
	Direct current
	Rotation direction
	European Conformity Mark
	Ukraine Conformity Mark
	EurAsian Conformity Mark

TECHNISCHE DATEN	AKKU-HOBEL	BHO18BL
Produktionsnummer	4743 18 01...	...000001-999999
Spannung Wechselakku	18 V	
Hobelbreite	82 mm	
Spantiefe max.	2,0 mm	
Falztiefe	12,5 mm	
Leerlaufdrehzahl	14300 min <sup>-1</sup>	
Gewicht nach EPTA-Prozedur 01/2014 (1,5 Ah - 9,0 Ah)	3,1 - 3,8 kg	
Empfohlene Umgebungstemperatur beim Arbeiten	-18...+50 °C	
Empfohlene Akkutypen	L1815R ... L1890RHD	
Empfohlene Ladegeräte	BL1418	

#### Geräusch/Vibrationsinformation

Messwerte ermittelt entsprechend EN 62841.

Der A-bewertete Geräuschpegel des Gerätes beträgt typischerweise:

Schalldruckpegel (Unsicherheit K=3dB(A))	89,5 dB (A)
Schalleistungspegel (Unsicherheit K=3dB(A))	100,5 dB (A)

#### Gehörschutz tragen!

Schwingungsgesamtwerte (Vektorsumme dreier Richtungen) ermittelt entsprechend EN 62841.

Schwingungsemissionswert a <sub>w</sub>	3,4 m/s <sup>2</sup>
Unsicherheit K=	1,5 m/s <sup>2</sup>

#### WARNUNG!

Die angegebenen Schwingungsgesamtwerte und Geräuschemissionswerte wurden nach einem genormten Messverfahren gemäß EN 62841 gemessen und können für den Vergleich von Elektrowerkzeugen miteinander verwendet werden. Es kann für eine vorläufige Einschätzung der Belastung verwendet werden.

Der angegebene Schwingungs- und Geräuschemissionspegel repräsentiert die hauptsächlichen Anwendungen des Elektrowerkzeugs. Wenn allerdings das Elektrowerkzeug für andere Anwendungen, mit abweichenden Einsatzwerkzeugen oder ungenügender Wartung eingesetzt wird, können sich die Schwingungs- und Geräuschemissionen unterscheiden. Dies kann deren Wirkung über den gesamten Arbeitszeitraum deutlich erhöhen.

Bei der Abschätzung der Belastung durch Schwingungen und Lärm sollten auch die Zeiten berücksichtigt werden, in denen das Elektrowerkzeug ausgeschaltet ist oder zwar läuft, aber keine tatsächliche Arbeit verrichtet wird. Dies kann deren Wirkung über den gesamten Arbeitszeitraum deutlich reduzieren.

Legen Sie zusätzliche Sicherheitsmaßnahmen zum Schutz des Bedieners vor den Auswirkungen von Schwingungen- und / oder Lärm fest, wie z. B.:  
Wartung des Werkzeugs und des Zubehörs, Warmhalten der Hände, Organisation der Arbeitsabläufe.

#### **⚠️ WARNUNG! Lesen Sie alle Sicherheitshinweise, Anweisungen, Darstellungen und Spezifikationen für dieses Elektrowerkzeug.**

Versäumnisse bei der Einhaltung der nachstehenden Anweisungen können elektrischen Schlag, Brand und/oder schwere Verletzungen verursachen.

#### **Bewahren Sie alle Sicherheitshinweise und Anweisungen für die Zukunft auf.**

#### **⚠️ SICHERHEITSHINWEISE FÜR HOBEL**

**Warten Sie den Stillstand der Messerwelle ab, bevor Sie das Elektrowerkzeug ablegen.** Eine freiliegende drehende Messerwelle kann sich mit der Oberfläche verhaken und zum Verlust der Kontrolle sowie schweren Verletzungen führen.

**Benutzen Sie Schraubzwingen oder andere praktische Hilfsmittel um das Werkstück an einer stabilen Unterlage zu befestigen.** Durch das Halten des Werkstückes mit der Hand oder das Gefährdungen mit dem Körper kann das Werkstück verrutschen und dies kann zum Verlust der Kontrolle führen.

#### **⚠️ WEITERE SICHERHEITS- UND ARBEITSHINWEISE**

Beim Arbeiten mit der Maschine stets Schutzbrille tragen. Schutzhandschuhe, festes und rutschsicheres Schuhwerk und Schürze werden empfohlen.

Schutzeinrichtung der Maschine unbedingt verwenden.

Nur mit scharfen Messern und nie über Metall (Nägel, Schrauben) hobeln. Nicht in den Gefahrenbereich der laufenden Messer greifen!

Beim Arbeiten entstehender Staub ist oft gesundheitsschädlich und sollte nicht in den Körper gelangen. Geeignete Staubschutzmaske tragen.

Es dürfen keine Materialien bearbeitet werden, von denen eine Gesundheitsgefährdung ausgeht (z.B. Asbest).

Beim Blockieren des Einsatzwerkzeuges bitte das Gerät sofort ausschalten! Schalten Sie das Gerät nicht wieder ein, solange das Einsatzwerkzeug blockiert ist; hierbei könnte ein Rückschlag mit hohem Reaktionsmoment entstehen. Ermitteln und beheben Sie die Ursache für die Blockierung des Einsatzwerkzeuges unter Berücksichtigung der Sicherheitshinweise.

Mögliche Ursachen dafür können sein:

- Verkanten im zu bearbeitenden Werkstück
- Durchbrechen des zu bearbeitenden Materials
- Überlasten des Elektrowerkzeuges

Greifen Sie nicht in die laufende Maschine.

Das Einsatzwerkzeug kann während der Anwendung heiß werden.

#### **WARNUNG! Verbrennungsgefahr**

- bei Werkzeugwechsel
- bei Ablegen des Gerätes

Späne oder Splinter dürfen bei laufender Maschine nicht entfernt werden. Verbrauchte Wechselakkus nicht ins Feuer oder in den Hausmüll werfen. AEG bietet eine umweltgerechte Alt-Wechselakku-Entsorgung an; bitte fragen Sie Ihren Fachhändler.

Wechselakku nicht zusammen mit Metallgegenständen aufbewahren (Kurzschlussgefahr).

Wechselakkus des Systems GBS nur mit Ladegeräten des Systems GBS laden. Keine Akkus aus anderen Systemen laden.

In den Wechselakku-Einschubschacht der Ladegeräte dürfen keine Metallteile gelangen (Kurzschlussgefahr).

Wechselakkus und Ladegeräte nicht öffnen und nur in trockenen Räumen lagern. Vor Nässe schützen.

Unter extremer Belastung oder extremer Temperatur kann aus beschädigten Wechselakkus Batterieflüssigkeit auslaufen. Bei Berührung mit Batterieflüssigkeit sofort mit Wasser und Seife abwaschen. Bei Augenkontakt sofort mindestens 10 Minuten gründlich spülen und unverzüglich einen Arzt aufsuchen.

**Warnung!** Um die durch einen Kurzschluss verursachte Gefahr eines Brandes, von Verletzungen oder Produktbeschädigungen zu vermeiden, tauchen Sie das Werkzeug, den Wechselakku oder das Ladegerät nicht in Flüssigkeiten ein und sorgen Sie dafür, dass keine Flüssigkeiten in die Geräte und Akkus eindringen. Korrodierende oder leitfähige Flüssigkeiten, wie Salzwasser, bestimmte Chemikalien und Bleichmittel oder Produkte, die Bleichmittel enthalten, können einen Kurzschluss verursachen.

#### **CE-KONFORMITÄTSERKLÄRUNG**

Wir erklären in alleiniger Verantwortung, dass das unter „Technische Daten“ beschriebene Produkt mit alle relevanten Vorschriften der Richtlinie 2011/65/EU (RoHS), 2014/30/EU, 2006/42/EG und den folgenden harmonisierten normativen Dokumenten übereinstimmt:

EN 62841-1:2015  
EN 62841-2-14:2015  
EN 55014-1:2017  
EN 55014-2:2015  
EN IEC 63000:2018

Winnenden, 2019-26-02

*Alexander Krug*

Alexander Krug  
Managing Director



Bevollmächtigt die technischen Unterlagen zusammenzustellen.

Techronic Industries GmbH  
Max-Eyth-Straße 10  
71364 Winnenden  
Germany

#### **BESTIMMUNGSGEMÄSSE VERWENDUNG**

Der Hobel ist geeignet zum Hobeln von Flächen und Falzen und zum Anfasen von Kanten.  
Dieses Gerät darf nur wie angegeben bestimmungsgemäß verwendet werden.

#### **AKKUS**

Längere Zeit nicht benutzte Wechselakkus vor Gebrauch nachladen. Eine Temperatur über 50°C vermindert die Leistung des Wechselakkus. Längere Erwärmung durch Sonne oder Heizung vermeiden. Die Anschlusskontakte an Powerport und Wechselakku sauber halten.

Für eine optimale Lebensdauer müssen nach dem Gebrauch die Akkus voll geladen werden.

Für eine möglichst lange Lebensdauer sollten die Akkus nach dem Aufladen aus dem Ladegerät entfernt werden.

Bei Lagerung des Akkus länger als 30 Tage:  
Akku bei ca. 27°C und trocken lagern.  
Akku bei ca. 30%-50% des Ladezustandes lagern.  
Akku alle 6 Monate erneut aufladen.

#### **AKKUÜBERLASTSCHUTZ**

Der Akkupack ist mit einem Überlastschutz ausgestattet, der den Akku vor Überlastung schützt und eine hohe Lebensdauer sicherstellt. Bei extrem starker Beanspruchung schaltet die Akkuelektronik die Maschine automatisch ab. Zum Weiterarbeiten Maschine Aus- und wieder Einschalten. Sollte die Maschine nicht wieder anlaufen, ist der Akkupack möglicherweise entladen und muss im Ladegerät wieder aufgeladen werden.

#### **TRANSPORT VON LITHIUM-IONEN-AKKUS**

Lithium-Ionen-Akkus fallen unter die gesetzlichen Bestimmungen zum Gefahrguttransport.

Der Transport dieser Akkus muss unter Einhaltung der lokalen, nationalen und internationalen Vorschriften und Bestimmungen erfolgen.

- Verbraucher dürfen diese Akkus ohne Weiteres auf der Straße transportieren.
- Der kommerzielle Transport von Lithium-Ionen-Akkus durch Speditionsunternehmen unterliegt den Bestimmungen des Gefahrguttransports. Die Versandvorbereitungen und der Transport dürfen ausschließlich von entsprechend geschulten Personen durchgeführt werden. Der gesamte Prozess muss fachmännisch begleitet werden.

Folgende Punkte sind beim Transport von Akkus zu beachten:

- Stellen Sie sicher, dass die Kontakte geschützt und isoliert sind, um Kurzschlüsse zu vermeiden.
- Achten Sie darauf, dass der Akkupack innerhalb der Verpackung nicht verrutschen kann.
- Beschädigte oder auslaufende Akkus dürfen nicht transportiert werden. Wenden Sie sich für weitere Hinweise an Ihr Speditionsunternehmen.

#### **HANDHABUNG**

Nicht in den Gefahrenbereich der laufenden Messer greifen! Maschine mit der vorderen Platte auf das Werkstück setzen und einschalten, bevor die Hobelmessers das Werkstück berühren und dann gleichmäßig über das Werkstück führen.  
Die Pendelschutzhaube darf nur durch das Werkstück oder mit dem Hebel betätigt werden.

Die V-Nut in der vorderen Auflageplatte ermöglicht ein sicheres Anfasen von Kanten.

Bei Verwendung von Hobelmessern mit Spanbrechermuten immer Messerpaare mit unterschiedlicher Nutenzahl einsetzen.

#### **WARTUNG**

Stets die Lüftungsschlitze der Maschine sauber halten.  
Verharzten Späneauswurf mit einem mit Terpentinersatz getränkten Tuch reinigen.

Nur AEG Zubehör und Ersatzteile verwenden. Bauteile, deren Austausch nicht beschrieben wurde, bei einer AEG Kundendienststelle auswechseln lassen (Broschüre Garantie/Kundendienstadressen beachten).

Bei Bedarf kann eine Explosionszeichnung des Gerätes unter Angabe der Maschinen Type und der sechsstelligen Nummer auf dem Leistungsschild bei Ihrer Kundendienststelle oder direkt bei Techronic Industries GmbH, Max-Eyth-Straße 10, 71364 Winnenden, Germany angefordert werden.

#### **SYMBOLE**

	ACHTUNG! WARNUNG! GEFAHR!
	Vor allen Arbeiten am Gerät den Wechselakku herausnehmen.
	Bitte lesen Sie die Gebrauchsanweisung vor Inbetriebnahme sorgfältig durch.
	Schutzhandschuhe tragen!
	Gehörschutz tragen!
	Beim Arbeiten mit der Maschine stets Schutzbrille tragen.
	Zubehör - Im Lieferumfang nicht enthalten, empfohlene Ergänzung aus dem Zubehörprogramm.
	Elektrogeräte, Batterien/Akkus dürfen nicht zusammen mit dem Hausmüll entsorgt werden. Elektrische Geräte und Akkus sind getrennt zu sammeln und zur umweltgerechten Entsorgung bei einem Verwertungsbetrieb abzugeben. Erkundigen Sie sich bei den örtlichen Behörden oder bei Ihrem Fachhändler nach Recyclinghöfen und Sammelstellen.
$n$	Leerlaufdrehzahl
$V$	Spannung
	Gleichstrom
	Drehrichtung
	Europäisches Konformitätszeichen
	Ukrainisches Konformitätszeichen
	Euroasiatisches Konformitätszeichen

CARACTÉRISTIQUES TECHNIQUES	RABOT SANS FIL	BHO18BL
Numéro de série.....	4743 18 01...	...000001-999999
Tension accu interchangeable.....	18 V	
Largeur du rabot.....	82 mm	
Profondeur du copeau max.....	2,0 mm	
Profondeur du rainurage.....	12,5 mm	
Vitesse de rotation à vide.....	14300 min <sup>-1</sup>	
Poids suivant EPTA-Procédure 01/2014 (1,5 Ah - 9,0 Ah).....	3,1 - 3,8 kg	
Température conseillée lors du travail.....	-18...+50 °C	
Batteries conseillées.....	L 1815R ... L1890RHD	
Chargeurs de batteries conseillés.....	BL1418	

#### Informations sur le bruit et les vibrations

Valeurs de mesure obtenues conformément à la EN 62841.

Les mesures réelles (des niveaux acoustiques de l'appareil) sont :

Niveau de pression acoustique (Incertitude K=3dB(A)).....	89,5 dB (A)
Niveau d'intensité acoustique (Incertitude K=3dB(A)).....	100,5 dB (A)

#### Toujours porter une protection acoustique!

Valeurs totales des vibrations (somme vectorielle de trois sens) établies conformément à EN 62841.

Valeur d'émission vibratoire a <sub>h</sub> .....	3,4 m/s <sup>2</sup>
Incertitude K=.....	1,5 m/s <sup>2</sup>

#### AVERTISSEMENT!

Le niveau de vibration et d'émissions sonores indiqué dans cette fiche de données a été mesuré en respect d'une méthode standard de test selon la norme EN 62841 et peut être utilisé pour comparer les outils entre eux. Il peut être utilisé pour évaluation préliminaire de l'exposition.

Le niveau de vibration et d'émissions sonores déclaré correspond à l'application principale de l'outil. Cependant, si l'outil est utilisé pour des applications différentes, avec différents accessoires ou est mal entretenu, les vibrations et les émissions sonores peuvent différer. Cela peut augmenter considérablement le niveau d'exposition au cours de la période de travail totale.

Une estimation du niveau d'exposition aux vibrations et au bruit devrait également tenir compte des temps d'arrêt de l'outil ou des périodes où il est en marche mais n'effectue pas réellement le travail. Cela peut réduire considérablement le niveau d'exposition au cours de la période de travail totale.

Identifier des mesures de sécurité supplémentaires pour protéger l'opérateur des effets des vibrations et/ou du bruit tels que : l'entretien de l'outil et des accessoires, le maintien au chaud des mains, l'organisation des processus de travail.

#### ⚠ AVERTISSEMENT! Lire tous les avertissements de sécurité, les instructions opérationnelles, les illustrations et les spécifications fournies avec cet outil électrique.

La non observance des instructions mentionnées ci-dessous peut causer des chocs électriques, des incendies ou de graves blessures.

Conservé tous les avertissements et toutes les instructions pour pouvoir s'y reporter ultérieurement.

#### ⚠ CONSIGNES DE SÉCURITÉ CONCERNANT LES RABOTEUSES

**Attendez jusqu'à ce que le tambour du rabot se soit arrêté avant de poser l'outil.** Un tambour nu qui tourne peut affecter la surface avec laquelle il entre en contact et causer une éventuelle perte de contrôle et de graves lésions!

**Utilisez des serre-joints à serrage ou d'autres moyens auxiliaires pratiques pour fixer la pièce à œuvrer sur un support robuste.** Si la pièce à œuvrer est maintenue à la main ou suite à une contre-pression avec le corps, il se peut que la pièce à œuvrer glisse et que cela provoque une perte de contrôle.

#### ⚠ AVIS COMPLÉMENTAIRES DE SÉCURITÉ ET DE TRAVAIL

Toujours porter des lunettes protectrices en travaillant avec la machine. Des gants de sécurité, des chaussures solides et à semelles antidérapantes et un tablier sont recommandés.

Il est absolument impératif d'utiliser le dispositif protecteur de la machine.

Ne raboter qu'avec des couteaux affûtés et ne jamais passer sur du métal (clous-vis).

Ne pas mettre la main dans la zone dangereuse des couteaux!

Les poussières qui sont dégagées pendant les travaux sont souvent nocives pour la santé et ne devraient pas pénétrer dans le corps. Porter un masque de protection approprié contre les poussières.

Il est interdit de travailler des matériaux dangereux pour la santé (par ex. amiante).

Désactiver immédiatement le dispositif en cas de blocage ! Ne pas réactiver le dispositif avec l'outil bloqué; il y a le risque de provoquer un contre-coup avec moment de réaction élevé. Établir et éliminer la cause du blocage de l'outil en prêtant attention aux consignes de sécurité.

Les causes possibles sont :

- Encastrement dans la pièce à travailler.
- Le dispositif a traversé le matériau à travailler en le cassant.
- Le dispositif électrique a été surchargé.

Ne pas approcher les mains de la partie en mouvement de la machine.

Durant l'utilisation, l'outil peut se surchauffer.

**AVERTISSEMENT!** Danger de brûlures

- durant le remplacement de l'outil
- durant la dépose de l'outil

Ne jamais enlever les copeaux ni les éclats lorsque la machine est en marche.

Ne pas jeter les accus interchangeables usés au feu ou avec les déchets ménagers. AEG offre un système d'évacuation écologique des accus usés.

Ne pas conserver les accus interchangeables avec des objets métalliques (risque de court-circuit)

Ne charger les accus interchangeables du système GBS qu'avec le chargeur d'accus du système GBS. Ne pas charger des accus d'autres systèmes.

Aucune pièce métallique ne doit pénétrer dans le logement d'accu du chargeur (risque de court-circuit)

Ne pas ouvrir les accus interchangeables et les chargeurs et ne les stocker que dans des locaux secs. Les protéger contre l'humidité.

En cas de conditions ou températures extrêmes, du liquide caustique peut s'échapper d'un accu interchangeable endommagé. En cas de contact avec le liquide caustique de la batterie, laver immédiatement avec de l'eau et du savon. En cas de contact avec les yeux, rincer soigneusement avec de l'eau et consulter immédiatement un médecin.

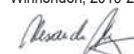
**Attention!** Pour réduire le risque d'incendie, de blessures corporelles et de dommages cau-sés par un court-circuit, ne jamais immerger l'outil, le bloc-piles ou le chargeur dans un liquide ou laisser couler un fluide à l'intérieur de celui-ci. Les fluides corrosifs ou conducteurs, tels que l'eau de mer, certains produits chimiques industriels, les produits de blanchiment ou de blanchi-ment, etc., peuvent provoquer un court-circuit.

#### DÉCLARATION CE DE CONFORMITÉ

Nous déclarons sous notre propre responsabilité que le produit décrit aux „Données techniques“ est conforme à toutes les dispositions des directives 2011/65/EU (RoHS), 2014/30/UE, 2006/42/CE et des documents normatifs harmonisés suivants:

EN 62841-1:2015  
EN 62841-2-14:2015  
EN 55014-1:2017  
EN 55014-2:2015  
EN IEC 63000:2018

Winnenden, 2019-26-02



Alexander Krug  
Managing Director

Autorisé à compiler la documentation technique.

Techtronic Industries GmbH  
Max-Eyth-Straße 10  
71364 Winnenden  
Germany



#### UTILISATION CONFORME AUX PRESCRIPTIONS

Le rabot permet de raboter les surfaces, les rainures et les quasi-bords. Comme déjà indiqué, cette machine n'est conçue que pour être utilisée conformément aux prescriptions.

#### ACCUS

Recharger les accus avant utilisation après une longue période de non utilisation.

Une température supérieure à 50°C amoindrit la capacité des accus. Eviter les expositions prolongées au soleil ou au chauffage.

Veiller à ce que les contacts de connexion sur le port de puissance et sur l'accu remplaçable restent propres.

Pour une durée de vie optimale, les accus doivent être chargés à fond après l'utilisation.

Pour une plus longue durée de vie, enlever les batteries du chargeur de batterie quand celles-ci seront chargées.

En cas d'entreposage de la batterie pour plus de 30 jours:

Entreposer la batterie à 27°C environ dans un endroit sec.

Entreposer la batterie avec une charge d'environ 30% - 50%.

Recharger la batterie tous les 6 mois.

#### PROTECTION DE L'ACCU CONTRE LES SURCHARGES

Le bloc d'accus est équipé d'un dispositif de protection contre la surcharge qui protège l'accu contre une surcharge et qui assure une longue durée de vie. En cas de sollicitation extrêmement élevée, l'unité électronique de l'accu éteint la machine automatiquement. Pour continuer le travail, il convient d'éteindre la machine et de l'enclencher à nouveau. Si la machine ne redémarre pas, il se peut que le bloc d'accus soit déchargé et qu'il doive être rechargé dans le chargeur.

#### TRANSPORT DE BATTERIES LITHIUM-ION

Les batteries lithium-ion sont soumises aux dispositions législatives concernant le transport de produits dangereux.

Le transport de ces batteries devra s'effectuer dans le respect des dispositions et des normes locales, nationales et internationales.

- Les utilisateurs peuvent transporter ces batteries sans restrictions.

- Le transport commercial de batteries lithium-ion est réglé par les dispositions concernant le transport de produits dangereux. La préparation au transport et le transport devront être effectués uniquement par du personnel formé de façon adéquate. Tout le procédé devra être géré d'une manière professionnelle.

Durant le transport de batteries il faut respecter les consignes suivantes :

- S'assurer que les contacts soient protégés et isolés en vue d'éviter des courts-circuits.
  - S'assurer que le groupe de batteries ne puisse pas se déplacer à l'intérieur de son emballage.
  - Des batteries endommagées ou des batteries perdant du liquide ne devront pas être transportées.
- Pour tout renseignement complémentaire veuillez vous adresser à votre transporteur professionnel.

#### MANIEMENT

Ne pas mettre la main dans la zone dangereuse des couteaux!

Apposer la semelle avant sur la pièce à raboter, mettre la machine en marche avant que les couteaux ne rentrent en contact avec la pièce, avancer sans à-coup le rabot sur la pièce.

Le carter de protection ne peut être manoeuvré qu'à la main avec le levier ou par la pièce.

La rainure en V sur la semelle avant permet le chanfreinage.

Lorsqu'on utilise des couteaux raboteurs avec rainures brise-copeaux, toujours mettre en place des jeux de deux couteaux pourvus d'un nombre différent de rainures.

#### ENTRETIEN







Tenir toujours propres les orifices de ventilation de la machine.

Si le dispositif d'éjection des copeaux est encrassé par la résine, le nettoyer avec un chiffon imbibé de térébenthine.

N'utiliser que des pièces et accessoires AEG. Pour des pièces dont l'échange n'est pas décrit, s'adresser de préférence aux stations de service après-vente AEG (voir brochure Garantie/Adresses des stations de service après-vente).

En cas de besoin il est possible de demander un dessin éclaté du dispositif en indiquant le modèle de la machine et le numéro de six chiffres imprimé sur la plaquette de puissance et en s'adressant au centre d'assistance technique ou directement à Techtronic Industries GmbH, Max-Eyth-Straße 10, 71364 Winnenden, Germany.

#### SYMBOLS

	ATTENTION! AVERTISSEMENT! DANGER!
	Avant tous travaux sur l'appareil retirer l'accu interchangeable.
	Veillez lire avec soin le mode d'emploi avant la mise en service
	Porter des gants de protection!
	Toujours porter une protection acoustique!
	Toujours porter des lunettes protectrices en travaillant avec la machine.
	Accessoires - Ces pièces ne font pas partie de la livraison. Il s'agit là de compléments recommandés pour votre machine et énumérés dans le catalogue des accessoires.
	Les dispositifs électriques, les batteries et les batteries rechargeables ne sont pas à éliminer dans les déchets ménagers. Les dispositifs électriques et les batteries sont à collecter séparément et à remettre à un centre de recyclage en vue de leur élimination dans le respect de l'environnement. S'adresser aux autorités locales ou au détaillant spécialisé en vue de connaître l'emplacement des centres de recyclage et des points de collecte.
$n$	Vitesse de rotation à vide
$V$	Voltage
	Courant continu
	Direction de rotation
	Marque de conformité européenne
	Marque de conformité ukrainienne
	Marque de conformité d'Eurasie

DATI TECNICI	PIALLETTO A BATTERIA	BHO18BL
Numero di serie .....	4743 18 01...	..000001-999999
Tensione batteria .....	18 V	
Larghezza piallatura .....	82 mm	
Regolazione profondità piallatura max. ....	2,0 mm	
Profondità di battuta .....	12,5 mm	
Numero di giri a vuoto .....	14300 min <sup>-1</sup>	
Momento torcente con Batteria 01/2014 (1,5 Ah - 9,0 Ah).....	3,1 - 3,8 kg	
Temperatura consigliata durante il lavoro.....	-18...+50 °C	
Batterie consigliate .....	L 1815R ... L1890RHD	
Caricatori consigliati .....	BL1418	

#### Informazioni sulla rumorosità/sulle vibrazioni

Valori misurati conformemente alla norma EN 62841.

La misurazione A del livello di pressione acustica dell'utensile è di solito di:

Livello di rumorosità (Incertezza della misura K=3dB(A)) .....	89,5 dB (A)
Potenza della rumorosità (Incertezza della misura K=3dB(A)).....	100,5 dB (A)

#### Utilizzare le protezioni per l'udito!

Valori totali delle oscillazioni (somma di vettori in tre direzioni) misurati conformemente alla norma EN 62841.

Valore di emissione dell'oscillazione a <sub>h</sub> .....	3,4 m/s <sup>2</sup>
Incertezza della misura K=.....	1,5 m/s <sup>2</sup>

#### AVVERTENZA!

Il/i valore/i di emissione acustica riportato/i in questa scheda informativa sono stati misurati conformemente a un metodo di prova standard sulla base della norma EN 62841 e possono essere utilizzati per confrontare gli utensili tra loro. Può/possono essere utilizzato/i anche per una valutazione preliminare dell'esposizione.

Il livello di vibrazione ed emissione acustica dichiarato rappresenta le applicazioni principali dell'utensile. Tuttavia, se l'utensile è utilizzato per applicazioni diverse, con accessori differenti o una manutenzione non adeguata, la vibrazione e l'emissione acustica potrebbero variare. Ciò può aumentare significativamente il livello di esposizione durante l'intera durata del lavoro.

Una stima del livello di esposizione alle vibrazioni e al rumore dovrebbe tenere conto anche dei periodi in cui l'utensile è spento o è in funzione ma non sta lavorando. Ciò può ridurre significativamente il livello di esposizione durante l'intera durata del lavoro.

Identificare le misure di sicurezza supplementari per proteggere l'operatore dagli effetti delle vibrazioni e/o del rumore, ad esempio eseguendo la manutenzione dell'utensile e degli accessori, mantenendo le mani calde e organizzando gli schemi di lavoro.

**AVVERTENZA! Leggere tutte le avvertenze di sicurezza, istruzioni operative, illustrazioni e specifiche fornite con questo elettro-utensile.** Il mancato rispetto delle istruzioni di seguito riportate può causare scosse elettriche, incendi e/o lesioni gravi.  
**Conservare tutte le avvertenze di pericolo e le istruzioni operative per ogni esigenza futura.**

#### INDICAZIONI DI SICUREZZA PER PIALLE

**Attendere il fermo del dispositivo di separazione prima di deporre l'utensile.** Un dispositivo di separazione aperto e rotante potrebbe avere effetti sulla superficie, portare eventualmente alla perdita del controllo e causare gravi ferite!

**Usare morsetti a vite o altri ausili pratici per fissare il pezzo da lavorare su di una base stabile.** Tenere il pezzo da lavorare con la mano o cercare di fissarlo con il corpo potrebbe comportare lo slittamento del pezzo, con conseguente perdita del controllo.

#### ULTERIORI AVVISI DI SICUREZZA E DI LAVORO

Durante l'uso dell'apparecchio utilizzare sempre gli occhiali di protezione. Inoltre si consiglia di usare sistemi di protezione per la respirazione e per l'udito, oltre ai guanti di protezione.

Usare sempre il dispositivo di protezione dell'apparecchio.

Piallare solo con lame affilate e mai su metalli (chiodi, viti). Quando l'utensile è in funzione, tenersi sempre ad una distanza di sicurezza.

La polvere che si produce durante il lavoro è spesso dannosa per la salute e non dovrebbe essere aspirata. Portare un'adeguata mascherina protettiva.

E' vietato lavorare materiali che possono costituire pericoli alla salute (ad es. amianto).

Spegnerne immediatamente il dispositivo in caso di bloccaggio! Non riaccendere il dispositivo fino a quando l'utensile ad inserito resta bloccato; esiste il rischio di causare un contraccolpo con elevato momento di reazione. Rilevare ed eliminare la causa del bloccaggio dell'utensile ad inserito tenendo conto delle indicazioni di sicurezza.

Le possibili cause sono:

- Incastro nel pezzo in lavorazione
- Il dispositivo ha attraversato il materiale da lavorare rompendolo
- Il dispositivo elettrico è stato sovraccaricato

Non avvicinare le mani alla parte della macchina in movimento.

Durante l'uso l'utensile ad inserito può surriscaldarsi.

#### AVVERTENZA! Pericolo di ustioni

- durante la sostituzione dell'utensile
- durante il deposito dell'utensile

Non rimuovere trucioli o schegge mentre l'utensile è in funzione.

Si prega di leggere con attenzione le istruzioni riguardanti la sicurezza, nel volantino allegato.

Nel vano d'innesto per la batteria del caricatore non devono entrare parti metalliche.(pericolo di cortocircuito).

Le batterie del System GBS sono ricaricabili esclusivamente con i caricatori del System GBS. Le batterie di altri sistemi non possono essere ricaricate.

Non conservare le batterie con oggetti metallici (pericolo di cortocircuito).

Non aprire nè la batteria nè il caricatore e conservarli solo in luogo asciutto. Proteggerli dalla umidità.

Nel caso di batterie danneggiate da un carico eccessivo o da temperature alte, l'acido di queste potrebbe fuoriuscire. In caso di contatto con l'acido delle batterie lavarsi immediatamente con acqua e sapone. In caso di contatto con gli occhi risciacquare immediatamente con acqua per almeno 10 minuti e contattare subito un medico.

**Attenzione!** Per ridurre il rischio d'incendio, di lesioni o di danni al prodotto causati da corto circuito, non immergere mai l'utensile, la batteria ricaricabile o il carica batterie in un liquido e non lasciare mai penetrare alcun liquido all'interno dei dispositivi e delle batterie. I fluidi corrosivi o conduttori come acqua salata, alcuni agenti chimici, agenti candeggianti o prodotti contenenti agenti candeggianti potrebbero provocare un corto circuito.

#### DICHIARAZIONE DI CONFORMITÀ CE

Dichiaro sotto la nostra esclusiva responsabilità che il prodotto descritto ai „Dati tecnici“ corrisponde a tutte le disposizioni delle direttive 2011/65/EU (RoHS), 2014/30/UE, 2006/42/CE e successivi documenti normativi armonizzati:

EN 62841-1:2015  
EN 62841-2-14:2015  
EN 55014-1:2017  
EN 55014-2:2015  
EN IEC 63000:2018

Winnenden, 2019-26-02

*Alexander Krug*

Alexander Krug  
Managing Director



Autorizzato alla preparazione della documentazione tecnica

Technronic Industries GmbH

Max-Eyth-Straße 10

71364 Winnenden

Germany

#### UTILIZZO CONFORME

La pialla lavora su superfici piane, battute e a bordo.

Utilizzare il prodotto solo per l'uso per cui è previsto.

#### BATTERIE

Batterie non utilizzate per molto tempo devono essere ricaricate prima dell'uso.

A temperature superiori ai 50°C, la potenza della batteria si riduce.

Tenere puliti i contatti di collegamento sul Powerport e sulla batteria.

Per una ottimale vita utile è necessario ricaricare completamente le batterie dopo l'uso.

Per una più lunga durata, rimuovere le batterie dal caricabatterie quando saranno cariche.

In caso di immagazzinaggio della batteria per più di 30 giorni:

Immagazzinare la batteria a circa 27°C in ambiente asciutto.

Immagazzinare la batteria con carica di circa il 30% - 50%.

Ricaricare la batteria ogni 6 mesi.

#### DISPOSITIVO ANTISOVRACCARICO ACCUMULATORE

Il gruppo accumulatore è equipaggiato con un dispositivo antisovraccarico, che protegge l'accumulatore da qualsiasi sovraccarico e assicura un'elevata durata di vita.

In caso di sollecitazione estremamente elevata, l'elettronica dell'accumulatore spegne la macchina automaticamente. Per poter continuare a lavorare bisogna spegnere e riaccendere la macchina. Se la macchina non dovesse riavviarsi, il gruppo accumulatore potrebbe essere scarico e va ricaricato nel carica-batteria.

#### TRASPORTO DI BATTERIE AGLI IONI DI LITIO

Le batterie agli ioni di litio sono soggette alle disposizioni di legge sul trasporto di merce pericolosa.

Il trasporto di queste batterie deve avvenire rispettando le disposizioni e norme locali, nazionali ed internazionali.

- Gli utilizzatori possono trasportare queste batterie su strada senza alcuna restrizione.

- Il trasporto commerciale di batterie agli ioni di litio è regolato dalle disposizioni sul trasporto di merce pericolosa. Le preparazioni al trasporto ed il trasporto stesso devono essere svolti esclusivamente da persone idoneamente istruite. Tutto il processo deve essere gestito in maniera professionale.

Durante il trasporto di batterie occorre tenere conto di quanto segue:

- Assicurarsi che i contatti siano protetti ed isolati per evitare corto circuiti.

- Accertarsi che il gruppo di batterie non possa spostarsi all'interno dell'imballaggio.

- Batterie danneggiate o batterie che perdono liquido non devono essere trasportate.

Per ulteriori informazioni si prega di contattare il proprio trasportatore.

#### MODALITÀ D'USO

Quando l'utensile è in funzione, tenersi sempre ad una distanza di sicurezza.

Usare Porre la pialla con la slitta anteriore sul manufatto ed attivarla prima che le lame vadano a contatto del manufatto; passarvi poi sopra con movimenti regolari.

La protezione mobile si chiude automaticamente alzando la pialla ma può essere attivata anche mediante la leva.

La scanalatura a V sulla piastra di appoggio anteriore permette di smussare spigoli in tutta sicurezza.

Durante l'utilizzo delle lame con scanalature rompitruciolo usare sempre 2 lame con differente numero di taglio.

#### MANUTENZIONE

Tener sempre ben pulite le fessure di ventilazione dell'apparecchio. Pulire con uno straccio intriso di trementina l'attacco del sacchetto per rimuovere eventuali residui legnosi.

Utilizzare esclusivamente accessori e pezzi di ricambio AEG. L'installazione di pezzi di ricambio non specificamente prescritti dall'AEG va preferibilmente effettuata dal servizio di assistenza clienti AEG (ved. opuscolo Garanzia/Indirizzi Assistenza tecnica).

In caso di necessità è possibile richiedere un disegno esploso del dispositivo indicando il modello della macchina ed il numero a sei cifre sulla targa di potenza rivolgendosi al centro di assistenza tecnica o direttamente a Technronic Industries GmbH, Max Eyth Straße/10, 71364/ Winnenden, Germany.

#### SIMBOLI

	ATTENZIONE! AVVERTENZA! PERICOLO!
	Prima di iniziare togliere la batteria dalla apparecchio.
	Leggere attentamente le istruzioni per l'uso prima di mettere in funzione l'elettro-utensile.
	Indossare guanti protettivi!
	Utilizzare le protezioni per l'udito!
	Durante l'uso dell'apparecchio utilizzare sempre gli occhiali di protezione.
	Accessorio - Non incluso nella dotazione standard, disponibile a parte come accessorio.
	I dispositivi elettrici, le batterie e le batterie ricaricabili non devono essere smaltiti con i rifiuti domestici. I dispositivi elettrici e le batterie devono essere raccolti separatamente e devono essere conferiti ad un centro di riciclaggio per lo smaltimento rispettoso dell'ambiente. Chiedere alle autorità locali o al rivenditore specializzato dove si trovano i centri di riciclaggio e i punti di raccolta.
	Numero di giri a vuoto
	Voltaggio
	Corrente continua
	Direzione di rotazione
	Marchio di conformità europeo
	Marchio di conformità ucraino
	Marchio di conformità euroasiatico

DATOS TÉCNICOS		CEPILLO A BATERÍA	BHO18BL
Número de producción.....	4743 18 01...	..000001-999999	
Voltaje de batería.....	18 V		
Anchura de cepillado.....	82 mm		
Profundidad de cepillado máx.....	2,0 mm		
Profundidad de rebaje.....	12,5 mm		
Velocidad en vacío.....	14300 min <sup>-1</sup>		
Peso de acuerdo con el procedimiento EPTA 01/2014 (1,5 Ah - 9,0 Ah).....	3,1 - 3,8 kg		
Temperatura ambiente recomendada durante el trabajo.....	-18...+50 °C		
Tipos de acumulador recomendados.....	L 1815R ... L1890RHD		
Cargadores recomendados.....	BL1418		

#### Información sobre ruidos / vibraciones

Determinación de los valores de medición según norma EN 62841.  
El nivel de ruido típico del aparato determinado con un filtro A corresponde a:  
Presión acústica (Tolerancia K=3dB(A))..... 89,5 dB (A)  
Resonancia acústica (Tolerancia K=3dB(A))..... 100,5 dB (A)

#### Usar protectores auditivos!

Nivel total de vibraciones (suma vectorial de tres direcciones) determinado según EN 62841.

Valor de vibraciones generadas a<sub>h</sub>..... 3,4 m/s<sup>2</sup>  
Tolerancia K=..... 1,5 m/s<sup>2</sup>

#### ADVERTENCIA!

El nivel de emisión de ruido y vibración indicado en esta hoja informativa se ha medido de acuerdo con una prueba estandarizada que figura en EN 62841 y se puede usar para comparar una herramienta con otra. Puede ser empleado para una evaluación preliminar de la exposición.

El nivel declarado emisión de vibración y ruido representa las principales aplicaciones de la herramienta. Sin embargo, si la herramienta se utiliza para diferentes aplicaciones, con diferentes accesorios o con un mantenimiento deficiente, la emisión de ruido y vibración puede diferir. Esto puede aumentar significativamente el nivel de exposición durante el periodo total de trabajo.

También se debe tener en cuenta una estimación del nivel de exposición a la vibración y el ruido cuando la herramienta está apagada o cuando está funcionando, pero no está haciendo su trabajo. Esto puede reducir significativamente el nivel de exposición durante el periodo total de trabajo.

Identifique medidas de seguridad adicionales para proteger al operador de los efectos de la vibración o el ruido, como realizar mantenimiento de la herramienta y los accesorios, mantener las manos calientes y organizar las pautas de trabajo.

**⚠ ADVERTENCIA: Lea todas las advertencias de peligro, instrucciones, ilustraciones y especificaciones suministradas con esta herramienta eléctrica.** En caso de no atenderse a las instrucciones siguientes, ello puede ocasionar una descarga eléctrica, un incendio y/o lesión grave. **Guardar todas las advertencias de peligro e instrucciones para futuras consultas.**

#### ⚠ INSTRUCCIONES DE SEGURIDAD PARA CEPILLOS

**Espere hasta que el dispositivo de separación esté parado antes de depositar la herramienta.** ¡Un dispositivo de separación que aún se encuentre girando y abierto, puede tener efectos sobre la superficie y puede llevar a posibles pérdidas de control y generar lesiones graves!

Utilice prensas de tornillo u otros medios de ayuda para sujetar la pieza de trabajo en una superficie estable. **Al sujetar la pieza de trabajo con la mano o al contrapresionarla con el cuerpo, ésta puede correrse y provocar el pérdida de control.**

#### ⚠ INSTRUCCIONES ADICIONALES DE SEGURIDAD Y LABORALES

Para trabajar con la máquina, utilizar siempre gafas de protección, guantes, calzado de seguridad antideslizante, así como es recomendable usar protectores auditivos.

Usar siempre las piezas de protección de la máquina.

Cepillar solamente con cuchillas bien afiladas y nunca sobre metal (clavos, tornillos, etc.)

No manipular en el rodillo ni en las cuchillas con la máquina conectada.

El polvo que se produce durante estos trabajos puede ser nocivo a la salud; es por ello es aconsejable que no penetre al cuerpo. Utilice por ello una máscara protectora contra polvo.

No se deben trabajar materiales que conlleven un riesgo para la salud (por ej. amianto).

¡En caso de que se bloquee el útil, el aparato se debe desconectar inmediatamente! No vuelva a conectar el aparato, mientras el útil esté bloqueado; se podría producir un rechazo debido a la reacción de retroceso brusca. Averigüe y elimine la causa del bloqueo del útil, teniendo en cuenta las indicaciones de seguridad.

Causas posibles para ello pueden ser:

- Atascamiento o bloqueo en la pieza de trabajo
- Rotura del material con el que está trabajando
- Sobrecarga de la herramienta eléctrica

No introduzca las manos en la máquina mientras ésta se encuentra en funcionamiento.

El útil se puede calentar durante el uso.

**ADVERTENCIA!** Peligro de quemaduras

- en caso de cambiar la herramienta
- en caso de depositar el aparato

Nunca se debe intentar limpiar el polvo o viruta procedente del taladrado con la máquina en funcionamiento.

No tire las baterías usadas a la basura ni al fuego. Los Distribuidores AEG ofrecen un servicio de recogida de baterías antiguas para proteger el medio ambiente.

No almacene la batería con objetos metálicos (riesgo de cortocircuito).

Recargar solamente los acumuladores del Sistema GBS en cargadores GBS. No intentar recargar acumuladores de otros sistemas.

No introduzca en la cavidad del cargador objetos metálicos (riesgo de cortocircuito).

No abra nunca las baterías ni los cargadores y guárdelos sólo en lugares secos. Protéjalos de la humedad en todo momento.

En caso de sobrecarga o alta temperatura, pueden llegar a producirse escapes de ácido provenientes de la batería. En caso de contacto con éste, limpie inmediatamente la zona con agua y jabón. Si el contacto es en los ojos, límpiese concienzudamente con agua durante 10 minutos y acuda inmediatamente a un médico.

**Advertencia!** Para reducir el riesgo de incendio, lesión personales y daños al producto debido a un cortocircuito, no sumerja nunca la herramienta, el paquete de baterías o el cargador en líquido ni permita que fluya un fluido dentro de ellos. Los fluidos corrosivos o conductivos, como el agua de mar, ciertos productos quími-cos industriales y blanqueadores o lejías que contienen, etc., Pueden causar un cortocircuito.

#### DECLARACION DE CONFORMIDAD CE

Declaramos bajo nuestra responsabilidad que el producto descrito bajo „Datos técnicos“ está en conformidad con todas las normas relevantes de la directiva 2011/65/EU (RoHS), 2014/30/UE, 2006/42/CE y con las siguientes normas o documentos normalizados:

EN 62841-1:2015

EN 62841-2-14:2015

EN 55014-1:2017

EN 55014-2:2015

EN IEC 63000:2018

Winnenden, 2019-26-02



Alexander Krug  
Managing Director

Autorizado para la redacción de los documentos técnicos.



Techrnic Industries GmbH  
Max-Eyth-Straße 10  
71364 Winnenden  
Germany

#### APLICACIÓN DE ACUERDO A LA FINALIDAD

El cepillo puede cepillar superficies, rebajes y también cantos hasta las siguientes medidas

No utilice este producto para ninguna otra aplicación que no sea su uso normal.

#### BATERÍA

Las baterías no utilizadas durante cierto tiempo deben ser recargadas antes de usar.

Las temperaturas superiores a 50°C reducen el rendimiento de la batería. Evite una exposición excesiva a fuentes de calor o al sol (riesgo de sobrecalentamiento).

Mantenga limpios los contactos de conexión del puerto de alimentación y de la batería de repuesto.

Para un tiempo óptimo de vida, deberán cargarse las baterías completamente después de su uso.

Para garantizar la máxima capacidad y vida útil, las baterías recargables se deberán retirar del cargador una vez finalizada la carga.

En caso de almacenar la batería recargable más de 30 días: Almacenar la batería recargable en un lugar seco a una temperatura de aproximadamente 27°C.

Almacenar la batería recargable con un estado de carga del 30% y 50% aproximadamente.

Recargar la batería cada 6 meses.

#### PROTECCIÓN CONTRA SOBRECARGA DE LA BATERÍA

El paquete del acumulador está dotado de un dispositivo de protección contra la sobrecarga que asegura una prolongada vida útil.

En caso de esfuerzo extremadamente intenso, la electrónica del acumulador desconecta automáticamente la máquina. Para continuar trabajando, desconectar y conectar de nuevo la máquina. Si la máquina no se pone nuevamente en marcha, es posible que se haya descargado el acumulador por lo que deberá recargarse en el cargador.

#### TRANSPORTE DE BATERÍAS DE IONES DE LITIO

Las baterías de iones de litio caen bajo las disposiciones legales relativas al transporte de mercancías peligrosas.

El transporte de estas baterías recargables debe llevarse a cabo, observando las normas y disposiciones locales, nacionales e internacionales.

- Los consumidores pueden transportar estas baterías recargables sin el menor reparo en la calle.

- El transporte comercial de baterías recargables de iones de litio por empresas de transportes está sometido a las disposiciones del transporte de mercancías peligrosas. Las preparaciones para el envío y el transporte deben ser llevados a cabo exclusivamente por personas instruidas adecuadamente. El proceso completo debe ser supervisado por personal competente.

Los siguientes puntos se deben observar para el transporte de las baterías recargables:

- Se debe asegurar que los contactos estén protegidos y aislados para evitar que se produzcan cortocircuitos.

- Preste atención a que el conjunto de baterías recargables no se pueda desplazar dentro del envase.

- Las baterías recargables deterioradas o derramadas no se deben transportar.

Rogamos que para cualquier información adicional se dirija a su empresa de transportes.

#### SUGERENCIAS ÚTILES DE TRABAJO

No manipular en el rodillo ni en las cuchillas con la máquina conectada.

Antes de conectar el cepillo, apoyar la parte delantera de la placa base en la pieza a mecanizar sin que las cuchillas toquen la madera y continuación conectarlo. Cepillar de una manera uniforme pasando el cepillo sobre la pieza.

El protector automático de las cuchillas es retirado automáticamente por la pieza que se mecaniza o tirando de la palanca.

La ranura en V de la placa base posibilita un seguro y perfecto biselado de cantos.

En el cambio de cuchillas con corte automático de viruta utilizar el juego completo con diferentes ranuras-cortavirutas.

#### MANTENIMIENTO

Las ranuras de ventilación de la máquina deben estar despejadas en todo momento.

Cuando se reduzca u obstruya la salida de viruta al adherirse la resina de la madera, limpiar el conducto con aguarrás.

Solo se deben utilizar accesorios y piezas de repuestos AEG. Piezas cuyo intercambio no está descrito en las instrucciones de uso, deben sustituirse en un centro de asistencia técnica AEG (Consulte el folleto Garantía/Direcciones de Centros de Asistencia Técnica).

Puede solicitar, en caso necesario, una vista despiezada del aparato bajo indicación del tipo de máquina y el número de seis dígitos en la placa indicadora de potencia en su Servicio de Postventa o directamente en Techrnic Industries GmbH, Max-Eyth-Straße 10, 71364 Winnenden, Germany.

#### SÍMBOLOS

	¡ATENCIÓN! ¡ADVERTENCIA! ¡PELIGRO!
	Retire la batería antes de comenzar cualquier trabajo el aparato.
	Lea las instrucciones detenidamente antes de conectar la herramienta
	Usar guantes protectores
	Usar protectores auditivos!
	Para trabajar con la máquina, utilizar siempre gafas de protección.
	Accesorio - No incluido en el equipo estándar, disponible en la gama de accesorios.
	Los electrodomésticos y las baterías/acumuladores no se deben eliminar junto con la basura doméstica. Los aparatos eléctricos y los acumuladores se deben recoger por separado y se deben entregar a una empresa de reciclaje para una eliminación respetuosa con el medio ambiente. Infórmese en las autoridades locales o en su tienda especializada sobre los centros de reciclaje y puntos de recogida.
	Velocidad en vacío
	Tensión
	Corriente continua
	Sentido de giro
	Marcado de conformidad europeo
	Marcado de conformidad ucraniano
	Marcado de conformidad euroasiático

CARACTERÍSTICAS TÉCNICAS	PLAINA A BATERIA	BHO18BL
Número de produção .....	4743 18 01...	000001-999999
Tensão do acumulador.....	18 V	
Largura da plaina .....	82 mm	
Espessura da apara no máx.....	2,0 mm	
Profundidade de rebaixos .....	12,5 mm	
Velocidade em vazio .....	14300 min <sup>-1</sup>	
Peso nos termos do procedimento-EPTA 01/2014 (1,5 Ah - 9,0 Ah).....	3,1 - 3,8 kg	
Temperatura ambiente recomendada ao trabalhar .....	-18... +50 °C	
Tipos de baterias recomendadas .....	L1815R ... L1890RHD	
Carregadores recomendados .....	BL1418	

#### Informações sobre ruído/vibração

Valores de medida de acordo com EN 62841.  
O nível de ruído avaliado A do aparelho é tipicamente:  
Nível da pressão de ruído (Incertez K=3dB(A))..... 89,5 dB (A)  
Nível da potência de ruído (Incertez K=3dB(A))..... 100,5 dB (A)

#### Use protectores auriculares!

Valores totais de vibração (soma dos vectores das três direcções) determinadas conforme EN 62841.  
Valor de emissão de vibração a<sub>v</sub>..... 3,4 m/s<sup>2</sup>  
Incerteza K=..... 1,5 m/s<sup>2</sup>

#### ATENÇÃO!

O nível de emissão de ruído e vibração fornecido nesta ficha de informações foi medido de acordo com um teste padronizado que se encontra na norma EN 62841, podendo ser utilizado para fazer comparações entre ferramentas. Pode ser utilizado para fazer uma avaliação preliminar da exposição.

O nível de emissão de ruído e vibração declarado representa as principais aplicações da ferramenta. No entanto, se a ferramenta for utilizada para aplicações diferentes ou com acessórios distintos, ou se a sua manutenção for deficiente, a emissão de ruídos e vibrações poderá diferir. Isso poderá aumentar significativamente o nível de exposição ao longo do período de trabalho total.

A estimativa do nível de exposição à vibração e ruído também deve ter em conta os tempos em que a ferramenta, quer desligada quer em funcionamento, não está realmente a trabalhar. Isso poderá reduzir significativamente o nível de exposição ao longo do período de trabalho total.

Identifique medidas de segurança adicionais para proteger o operador contra os efeitos da vibração e/ou ruído, tais como: fazer a manutenção da ferramenta e dos acessórios, manter as mãos quentes, organizar padrões de trabalho.

**⚠ ADVERTÊNCIA** Devem ser lidas todas as advertências de segurança, instruções, ilustrações e especificações fornecidas com esta ferramenta eléctrica. O desrespeito das advertências e instruções apresentadas abaixo pode causar choque elétrico, incêndio e/ou graves lesões.  
**Guarde bem todas as advertências e instruções para futura referência.**

#### ⚠ INSTRUÇÕES DE SEGURANÇA PARA PLAINAS

Esperar até o veio da lâmina parar, antes de depositar a ferramenta eléctrica. Um veio da lâmina descoberta pode emperrar na superfície e levar à perda de controlo, assim como a lesões.

Use sargentos ou outros recursos práticos para fixar a peça a trabalhar em uma base sólida. Se a peça a trabalhar for segura com a mão ou apoiada de encontro com o corpo, a peça poderá deslocar-se o que poderá levar à perda do controlo.

#### ⚠ INSTRUÇÕES DE SEGURANÇA E TRABALHO SUPLEMENTARES

Usar sempre óculos de protecção ao trabalhar com a máquina. Recomenda-se a utilização de luvas de protecção, protectores para os ouvidos e máscara anti-poeiras.

Nunca utilizar a máquina sem dispositivo de protecção.  
Aplainar só com lâminas afiadas e nunca sobre metal (pregos, parafusos). Manter as mãos fora da zona de perigo das lâminas em rotação!  
O pó que resulta ao trabalhar pode ser nocivo para a saúde, por isso não devendo penetrar no corpo. Use uma máscara de protecção contra pó apropriada.

Não devem ser processados materiais que representem um perigo para a saúde (p. ex. asbesto).

Desligue o aparelho imediatamente, quando a ferramenta de inserção bloquear! Não ligue o aparelho novamente durante o bloqueio da ferramenta de inserção, pois isso pode levar a um recuo repentino com uma alta força reactiva. Verifique e elimine a causa do bloqueio da ferramenta de inserção, observando as instruções de segurança.

Causas possíveis podem ser:

- Emperramento na peça a trabalhar
- Material a processar rompido
- Sobrecarga da ferramenta eléctrica

Não toque na máquina em operação.  
A ferramenta de inserção pode ficar quente durante a operação.

**ATENÇÃO!** Perigo de queimar-se  
• na troca das ferramentas

- ao depositar o aparelho

Não remover aparas ou lascas enquanto a máquina trabalha.  
Não queimar acumuladores gastos nem deitá-los no lixo doméstico. A AEG possui uma eliminação de acumuladores gastos que respeita o meio ambiente.

Não guardar acumuladores junto com objectos metálicos (perigo de curto-circuito).

Use apenas carregadores do Sistema GBS para recarregar os acumuladores do Sistema GBS. Não utilize acumuladores de outros sistemas.

Não abrir acumuladores e carregadores. Armazená-los em recintos secos. Protegê-los contra humidade.

Carregadores só devem ser utilizados em recintos secos.

Em caso de cargas ou temperaturas extremas, um acumulador de substituição danificado poderá verter líquido de bateria. Se entrar em contacto com este líquido, deverá lavar-se imediatamente com água e sabão. Em caso de contacto com os olhos, enxagüe-os bem e de imediato durante pelo menos 10 minutos e consulte um médico o mais depressa possível.

**Advertência!** Para evitar o risco de incêndio, de feridas ou de danificação do produto causado por um curto-circuito, não inerja a bateria intercambiável ou o carregador em líquidos e assegure-se de que líquidos não penetrem nos aparelhos ou nas baterias. Líquidos corrosivos ou condutivos como água salgada, determinadas substâncias químicas ou produtos que contenham branqueadores podem causar um curto-circuito.

#### DECLARAÇÃO DE CONFORMIDADE CE

Declaramos sob responsabilidade exclusiva, que o produto descrito sob "Dados técnicos" corresponde com todas as disposições relevantes da diretiva 2011/65/EU (RoHS), 2014/30/UE, 2006/42/CE e dos seguintes documentos normativos harmonizados.

EN 62841-1:2015  
EN 62841-2-14:2015  
EN 55014-1:2017  
EN 55014-2:2015  
EN IEC 63000:2018

Winnenden, 2019-26-02

*Alexander Krug*

Alexander Krug  
Managing Director



Autorizado a reunir a documentação técnica.

Techtron Industries GmbH

Max-Eyth-Straße 10

71364 Winnenden

Germany

#### UTILIZAÇÃO AUTORIZADA

A plaina aplaina superfícies, faz rebaixos e quebra arestas.

Não use este produto de outra maneira sem ser a normal para o qual foi concebido.

#### ACUMULADOR

Acumuladores não utilizados durante algum tempo devem ser recarregados antes da sua utilização.

Temperaturas acima de 50°C reduzem a capacidade do bloco acumulador. Evitar exposição prolongada ao sol ou a caloríferos.

Manter limpos os contactos de ligação da Powerport e da bateria.

Para uma vida útil óptima das baterias, terá que carregá-las plenamente após a sua utilização.

Para assegurar uma vida útil longa, o pacote de bateria deve ser removido da carregadora depois do carregamento.

Se o pacote de bateria for armazenado por mais de 30 dias: Armazene o pacote de bateria com aprox. 27°C em um lugar seco. Armazene o pacote de bateria com aprox. 30%-50% da carga completa. Carregue o pacote de bateria novamente de 6 em 6 meses.

#### PROTECÇÃO DE SOBRECARGA DE BATERIA

As baterias estão equipadas com uma protecção contra sobrecarga, que as protegem de uma sobrecarga e lhes conferem uma longa durabilidade. No caso de um esforço extremamente elevado a electrónica das baterias desliga automaticamente o aparelho. Para continuar a trabalhar desligar e voltar a ligar o aparelho. Se o aparelho não se voltar a ligar, é porque o conjunto das baterias está possivelmente descarregado e tem de voltar a ser carregado na carregadora.

#### TRANSPORTE DE BATERIAS DE IÃO-LÍTIU

Baterias de ião-lítio estão sujeitas às disposições da legislação relativa às substâncias perigosas.

O transporte destas baterias deve ser efetuado de acordo com as disposições e os regulamentos locais, nacionais e internacionais.

- O utilizador pode efetuar o transporte rodoviário destas baterias sem restrições.

- O transporte comercial de baterias de ião-lítio por terceiros está sujeito aos regulamentos relativos às substâncias perigosas. A preparação do transporte e o transporte devem ser executados exclusivamente por pessoas instruídas e o processo deve ser acompanhado pelos especialistas correspondentes.

Observe o seguinte no transporte de baterias:

- Assegure-se de que os contactos terminais estejam protegidos e isolados para evitar um curto-circuito.

- Assegure-se de que o bloco da bateria esteja protegido contra movimentos na embalagem.

- Não transporte baterias danificadas ou que tenham fuga. Para instruções mais detalhadas consulte a companhia de transportes

#### MANUSEIO

Manter as mãos fora da zona de perigo das lâminas em rotação!

Assentar a máquina com a placa dianteira sobre a peça a trabalhar e ligá-la antes de as lâminas entrarem em contacto com a peça.

Seguidamente fazer deslizar a lâmina com força constante. O resguardo de protecção giratório vai abrindo, fechando automaticamente ao levantar a máquina. Pode também ser accionado com a alavanca.

A ranhura em V na placa dianteira permite uma biselagem segura de bordos.

Utilizando lâminas com ranhuras para quebrar arestas, utilizar sempre pares de lâminas com número diferente de ranhuras.

#### MANUTENÇÃO

Manter desobstruídos os rasgos de ventilação na carcaça da máquina. Limpe o dispositivo de expulsão de aparas resinificado com um pano embebido em white spirit.

Utilizar unicamente acessórios e peças sobressalentes da AEG. Sempre que a substituição de um componente não tenha sido descrita nas instruções, será de toda a conveniência mandar executar esse trabalho a um Serviço de Assistência AEG (veja o folheto Garantia/Endereços de Serviços de Assistência).

Se for necessário, um desenho de explosão do aparelho pode ser solicitado do seu posto de assistência ao cliente ou directamente da Techtron Industries GmbH, Max-Eyth-Straße 10, 71364 Winnenden, Alemanha, indicando o tipo da máquina e o número de seis posições na chapa indicadora da potência.

#### SYMBOLS

	ATENÇÃO! PERIGO!
	Antes de efectuar qualquer intervenção o aparelho retirar o bloco acumulador.
	Leia atentamente o manual de instruções antes de colocar a máquina em funcionamento.
	Use luvas de protecção!
	Use protectores auriculares!
	Usar sempre óculos de protecção ao trabalhar com a máquina.
	Acessório - Não incluído no equipamento normal, disponível como acessório.
	Aparelhos eléctricos, baterias/acumuladores não devem ser jogados no lixo doméstico. Os aparelhos eléctricos e as baterias devem ser colectados separadamente e entregues a uma empresa de reciclagem para a eliminação correcta. Solicite informações sobre empresas de reciclagem e postos de colecta de lixo das autoridades locais ou do seu vendedor autorizado.
	Velocidade em vazio
	Tensão
	Corrente contínua
	Sentido de rotação
	Marca de Conformidade Europeia
	Marca de Conformidade Ucraniana
	Marca de Conformidade Eurasiática



TECHNISCHE GEGEVENS	ACCU-SCHAAFMACHINE	BHO18BL
Productienummer .....	4743 18 01...	..000001-999999
Spanning wisselakku .....	18 V	
Schaafbreedte .....	82 mm	
Spaandiepte .....	2,0 mm	
Sponningdiepte max. ....	12,5 mm	
Onbelast toerental .....	14300 min <sup>-1</sup>	
Gewicht volgens de EPTA-procedure 01/2014 (1,5 Ah - 9,0 Ah) .....	3,1 - 3,8 kg	
Aanbevolen omgevingstemperatuur tijdens het werken .....	-18... +50 °C	
Aanbevolen accutypes .....	L1815R ... L1890RHD	
Aanbevolen laadtoestellen .....	BL1418	

#### Geluids-/trillingsinformatie

Meetwaarden vastgesteld volgens EN 62841.

Het kenmerkende A-gewogen geluidsniveau van de machine bedraagt:

Geluidsdrukniveau (Onzekerheid K=3dB(A)) ..... 89,5 dB (A)

Geluidsvermogeniveau (Onzekerheid K=3dB(A)) ..... 100,5 dB (A)

#### Draag oorbeschermers!

Totale trillingswaarden (vectorsom van drie richtingen) bepaald volgens EN 62841.

Trillingsemisiewaarde a<sub>w</sub> ..... 3,4 m/s<sup>2</sup>

Onzekerheid K= ..... 1,5 m/s<sup>2</sup>

#### WAARSCHUWING!

De in dit informatieblad vermelde trillings- en geluidsniveaus zijn gemeten in overeenstemming met een standaard testmethode conform EN 62841 en kunnen worden gebruikt om gereedschap met elkaar te vergelijken. Deze kunnen ook worden gebruikt voor het vooraf evalueren van de blootstelling. De vermelde trillings- en geluidsniveaus gelden voor de meest gebruikelijke toepassingen van het gereedschap. Wanneer het gereedschap echter voor andere doeleinden of met andere hulpstukken gebruikt wordt of niet naar behoren onderhouden wordt, kan de mate van blootstelling over de hele werkperiode aanzienlijk hoger uitvallen.

Voor een nauwkeurige inschatting van de blootstelling aan trillingen en geluid moet ook de tijd in aanmerking worden genomen die het apparaat uitgeschakeld is of weliswaar loopt, maar niet werkelijk in gebruik is. Dit kan de waarde van de mate aan blootstelling over de hele werkperiode aanzienlijk verminderen.

Bepaal extra veiligheidsmaatregelen ter bescherming van de gebruiker tegen de gevolgen van trillingen en/of geluid, bijvoorbeeld: onderhoud van het gereedschap en hulpstukken, warmhouden van de handen, organisatie van de werkprocessen.

**⚠ WAARSCHUWING! Lees alle veiligheidswaarschuwingen, voorschriften, afbeeldingen en specificaties voor dit elektrische gereedschap.** Als de onderstaande waarschuwingen niet worden opgevolgd, kan dit een elektrische schok, brand of ernstig letsel tot gevolg hebben.

**Bewaar alle waarschuwingen en voorschriften voor toekomstig gebruik.**

#### ⚠ VEILIGHEIDSLINSTRUCTIES VOOR SCHAVEN

**Wacht tot de scheidingsvoorziening stilstaat, voordat u het gereedschap neerlegt.** Een open liggende, draaiende scheidingsvoorziening zou invloed kunnen hebben op de oppervlakte en eventueel kunnen leiden tot controleverlies en zware letsels!

**Gebruik lijmklemmen of andere geschikte hulpmiddelen om het werkstuk aan een stabiele ondergrond te bevestigen.** Als u het werkstuk met uw hand of met uw lichaam tegenhoudt, kan het wegglijden, waardoor u de controle kunt verliezen.

#### ⚠ VERDERE VEILIGHEIDS- EN WERKINSTRUCTIES

Bij het werken met de machine altijd een veiligheidsbril dragen. Werkhandschoenen en stofkapje voor de mond worden aanbevolen. Bescherming van de machine beslist gebruiken. Alleen met scherpe messen en nooit over metaal (spijker, schroeven) schaven.

Grijp nooit in de gevarezone van de lopende messen.

Het gedurende het werken vrijkomende stof is doorgaans schadelijk voor de gezondheid en mag niet met het lichaam in aanraking komen. Draag derhalve een geschikt stofbeschermsmasker.

Het is niet toegestaan, materialen te bewerken waarvan een gezondheidsgevaar uitgaat (bijv. asbest).

Schakel het apparaat onmiddellijk uit als het gereedschap blokkeert! Schakel het apparaat niet in zolang het gereedschap geblokkeerd is; dit zou een terugslag met een hoog reactiemoment kunnen veroorzaken.

Achterhaal en verhelp de oorzaak voor de blokkering van het gereedschap met inachtneming van de veiligheidsinstructies.

Mogelijke oorzaken voor de blokkering:

- kantelen in het te bewerken werkstuk
- doorbreken van het te bewerken materiaal
- overbelasting van het elektrische gereedschap

Grijp niet in de lopende machine.

Het gereedschap kan heet worden tijdens het gebruik.

**WAARSCHUWING!** Gevaar voor verbranding

- bij het vervangen van het gereedschap
- bij het neerleggen van het apparaat

Spanen of splinters mogen bij draaiende machine niet worden verwijderd.

Verbruikte akku's niet in het vuur of bij het huisvuil werpen. AEG biedt namelijk een milieuvriendelijke recyclingmethode voor uw oude akku's. Wisselakku's niet bij metalen voorwerpen bewaren (kortsluitingsgevaar!).

Wisselakku's van het Akku-Systeem GBS alléén met laadapparaten van het Akku-Systeem GBS laden. Geen akku's van andere systemen laden.

In de wisselakku-opnameschacht van het laadapparaat mogen géén metaaldeeltjes komen (kortsluitingsgevaar!).

Wisselakku's en laadapparaten niet openen en alleen in droge ruimtes opslaan. Tegen vocht beschermen.

Onder extreme belasting of extreme temperaturen kan uit de accu accu-vloeistof lopen. Na contact met accu-vloeistof direct afwassen met water en zeep. Bij oogcontact direct minstens 10 minuten grondig spoelen en onmiddellijk een arts raadplegen.

**Waarschuwing!** Voorkom brand, persoonlijk letsel of materiële schade door kortsluiting en dompel het gereedschap, de wisselaccu en het laadtoestel niet onder in vloeistoffen en waarborg dat geen vloeistoffen in de apparaten en accu's kunnen dringen. Corrosieve of geleidende vloeistoffen zoals zout water, bepaalde chemicaliën, bleekmiddelen of producten die bleekmiddelen bevatten, kunnen een kortsluiting veroorzaken.

#### EC - VERKLARING VAN OVEREENSTEMMING

Wij verklaren in uitsluitende verantwoording dat het onder 'Technische gegevens' beschreven product overeenstemt met alle relevante voorschriften van de richtlijn 2011/65/EU (RoHS), 2014/30/EU, 2006/42/EG en de volgende geharmoniseerde normatieve documenten:

EN 62841-1:2015  
EN 62841-2-14:2015  
EN 55014-1:2017  
EN 55014-2:2015  
EN IEC 63000:2018

Winnenden, 2019-26-02

*Alexander Krug*

Alexander Krug  
Managing Director

Gemachtigd voor samenstelling van de technische documenten



Techtronic Industries GmbH  
Max-Eyth-Straße 10  
71364 Winnenden  
Germany

#### VOORGESCHREVEN GEBRUIK VAN HET SYSTEEM

De schaaft scharft vlakken en sponningen en kanten.

Dit apparaat uitsluitend gebruiken voor normaal gebruik, zoals aangegeven.

#### AKKU

Langere tijd niet toegepaste wisselakku's vóór gebruik altijd naladen. Een temperatuur boven de 50°C vermindert de capaciteit van de accu. Langdurige verwarming door zon of hitte vermijden.

De aansluitcontacten aan powerport en wisselaccu schoon houden.

Voor een optimale levensduur moeten de accu's na het gebruik volledig opgeladen worden.

Voor een zo lang mogelijke levensduur van de accu's dienen deze na het opladen uit het laadtoestel te worden verwijderd.

Bij een langere opslag van de accu dan 30 dagen:

accu bij ca. 27 °C droog bewaren.

accu bij ca. 30 % - 50 % van de laadtoestand bewaren.

accu om de 6 maanden opnieuw opladen.

#### OVERBELASTINGSBEVEILIGING VAN DE ACCU

Het accupak is uitgerust met een overbelastingsbeveiliging die de accu tegen overbelasting beschermt en een lange levensduur garandeert. Bij extreem sterke belasting schakelt de accuelektronica de machine automatisch uit. Schakel de machine uit en weer in om door te kunnen werken. Wanneer de machine niet meer start, is het accupak mogelijk oververhit en moet het in het laadtoestel worden opgeladen.

#### TRANSPORT VAN LITHIUM-IONEN-ACCU'S

Lithium-ionen-accu's vallen onder de wettelijke bepalingen inzake het transport van gevaarlijke goederen.

Voor het transport van deze accu's moeten de lokale, nationale en internationale voorschriften en bepalingen in acht worden genomen.

- Verbruikers mogen deze accu's zonder meer over de weg transporteren.

- Het commerciële transport van lithium-ionen-accu's door expeditiebedrijven is onderhevig aan de bepalingen inzake het transport van gevaarlijke goederen. De verzendingsvoorbereidingen en het transport mogen uitsluitend worden uitgevoerd door dienovereenkomstig opgeleide personen. Het complete proces moet vakkundig worden begeleid.

Onderstaande punten moeten bij het transport van accu's in acht worden genomen:

- Waarborg ter vermindering van kortsluitingen dat de contacten beschermd en geïsoleerd zijn.

- Let op dat het accupack in de verpakking niet kan verschuiven.

- Beschadigde of lekkende accu's mogen niet worden getransporteerd. Neem voor meer informatie contact op met uw expeditiebedrijf.

#### BEDIENING

Grijp nooit in de gevarezone van de lopende messen.

Gebruik Machine met de voorste plaat op het werkstuk zetten en inschakelen, voordat de messen het werkstuk aanraken en dan gelijkmatig over het werkstuk voeren.

De geopende pendel beschermkap sluit zich vanzelf als de machine wordt opgetild. Het sluiten kan ook met hefboom geschieden.

De V-groef in de zool maakt het mogelijk kanten te schaven.

Bij gebruik van messen met spaanbreekgroeven altijd messen met het goede aantal groeven monteren.

#### ONDERHOUD

Altijd de luchtspleten van de machine schoonhouden.

Wanneer de spaanafvoer is verstopt, deze met een met terpentijn doordrenkte doek reinigen.

Alleen AEG toebehoren en onderdelen gebruiken. Onderdelen welke niet vermeld worden, kunnen het beste door de AEG servicedienst verwisseld worden (zie Serviceadressen).

Zo nodig kan een explosietekening van het apparaat worden aangevraagd bij uw klantenservice of direct bij Techtronic Industries GmbH, Max-Eyth-Straße 10, 71364 Winnenden, Duitsland onder

vermelding van het machinetype en het zescijferige nummer op het typeplaatje.

#### SYMBOLLEN

	OPGELET! WAARSCHUWING! GEVAAR!
	Voor alle werkzaamheden aan de apparat de akku verwijderen.
	Graag instructies zorgvuldig doorlezen vóórdat u de machine in gebruik neemt.
	Draag veiligheidshandschoenen!
	Draag oorbeschermers!
	Bij het werken met de machine altijd een veiligheidsbril dragen.
	Toebehoren - Wordt niet meegeleverd. Is apart leverbaar. Zie hiervoor het toebehorenprogramma.
	Elektrische apparaten, batterijen en accu's mogen niet via het huisafval worden afgevoerd. Elektrische apparaten en accu's moeten gescheiden worden verzameld en voor een milieuvriendelijke afvoer worden afgegeven bij een recyclingbedrijf. Informeer bij uw gemeente of bij uw vakhandelaar naar recyclingbedrijven en inzamelpunten.
	Onbelast toerental
	Spanning
	Gelijkstroom
	Draairichting
	Europees symbool van overeenstemming
	Oekraïens symbool van overeenstemming
	Euro-Aziatisch symbool van overeenstemming

TEKNISKE DATA	AKKU HØVL	BHO18BL
Produktionsnummer .....	4743 18 01...	..000001-999999
Udskiftningsbatteriets spænding .....	18 V	
Høvlbredde .....	82 mm	
Spåndybde maks. ....	2,0 mm	
Falsdybde .....	12,5 mm	
Omdrejningstal, ubelastet .....	14300 min <sup>-1</sup>	
Vægt svarer til EPA-procedure 01/2014 (1,5 Ah - 9,0 Ah) .....	3,1 - 3,8 kg	
Anbefalet temperatur under arbejdet .....	-18...+50 °C	
Anbefalede batterityper .....	L1815R ... L1890RHD	
Anbefalede opladere .....	BL1418	

#### Støj/Vibrationsinformation

Måleværdier beregnes iht. EN 62841.

Værktøjets A-vurderede støjniveau er typisk:

Lydrykniveau (Usikkerhed K=3dB(A)) ..... 89,5 dB (A)

Lydeffekt niveau (Usikkerhed K=3dB(A)) ..... 100,5 dB (A)

#### Brug høreværn!

Samlede vibrationsværdier (værdisum for tre retninger) beregnet iht. EN 62841.

Vibrationseksponering a<sub>v</sub> ..... 3,4 m/s<sup>2</sup>

Usikkerhed K= ..... 1,5 m/s<sup>2</sup>

#### ADVARSEL!

Det vibrations- og støjmissionsniveau, der nævnes i dette oplysningsskema, er blevet målt i overensstemmelse med en standardiseret test fra EN 62841, og det kan bruges til at sammenligne ét værktøj med et andet. Det kan bruges til en foreløbig bedømmelse af eksponeringen.

Det erklærede vibrations- og støjmissionsniveau repræsenterer værktøjets primære anvendelsesformål. Det er dog sådan, at hvis værktøjet bruges til andre formål, med forskelligt tilbehør eller dårlig vedligehold, så kan vibrations- og støjmissionen variere. Det kan evt. øge eksponeringsniveauet markant i løbet af det samlede arbejdstidsrum.

En vurdering af eksponeringsniveauet ift. vibration og støj bør også tage hensyn til de tidspunkter, hvor værktøjet er slukket eller hvor det kører, men rent faktisk ikke udfører jobbet. Det kan evt. mindske eksponeringsniveauet markant i løbet af det samlede arbejdstidsrum.

Identificér yderligere sikkerhedsforanstaltninger med henblik på at beskytte brugeren mod effekten af vibration og/eller støj, som fx: vedligehold værktøjet og tilbehøret, hold hænderne varme, organisering af arbejdsmonstre.

**⚠ ADVARSEL Læs alle advarselsinformationer, anvisninger, figurer og specifikationer, som følger med dette el-værktøj.** En manglende overholdelse af alle nedenstående anvisninger kan medføre elektrisk stød, brand og/eller alvorlige kvæstelser. **Opbevar alle advarselshenvisninger og instrukser til senere brug.**

#### ⚠ SIKKERHEDSINSTRUKTIONER FOR HØVLE

**Vent, indtil cutteren standser, inden du lægger værktøjet fra dig.** En åben, roterende cutter kan påvirke overfladen og eventuelt føre til et kontroltab og alvorlige kvæstelser!

**Brug skruetvinger eller andre praktiske hjælpemidler til at fastgøre arbejdsemnet på et stabil under lag med.** Hvis arbejdsemnet holdes med hånden, eller presses der imod med kroppen, kan emnet skride, hvilket kan føre til, at du mister kontrollen.

#### ⚠ YDERLIGERE SIKKERHEDS- OG ARBEJDSINFORMATIONER

Når der arbejdes med maskinen, skal man have beskyttelsesbriller på. Beskyttelseshandsker, skridsikre sko, høreværn og forklæde anbefales. Maskinens sikkerhedsindretning bør ubetinget benyttes.

Arbejd kun med slebne knive og høvl aldrig hen over metal (søm, skrue).

Pas på ikke at få hånden ind i arbejdsområdet.

Støv, som opstår under arbejdet, er ofte sundhedsfarligt og bør ikke trænge ind i kroppen. Benyt egnet åndedrætsværn.

Der må ikke bearbejdes nogen materialer, der kan udgøre en sundhedsrisiko (f.eks. asbest).

Sluk straks for maskinen, hvis indsatsværktøjet er blokeret! Tænd ikke for maskinen igen, så længe indsatsværktøjet er blokeret; dette kan føre til et tilbageslag med højt reaktionsmoment. Find frem til og afhjælp årsagen til indsatsværktøjets blokering under hensyntagen til sikkerhedsinstruktionerne.

Mulige årsager hertil kan være:

- at det sidder i klemme i emnet der bearbejdes
- at det har brækket materialet der bearbejdes
- at el-værktøjet er overbelastet

Grib ikke ind i maskinen, når den kører.

Indsatsværktøjet kan blive varmt under brugen.

**ADVARSEL!** Fare for forbrændinger

- ved værktøjsskift
- når man lægger maskinen fra sig

Spåner eller splinter må ikke fjernes, medens maskinen kører.

Opbrugte udskiftningsbatterier må ikke brændes eller kasseres sammen med alm. husholdningsaffald. AEG har en miljørigtig bortskafling af gamle udskiftningsbatterier, henvend Dem til Deres forhandler.

Opbevar ikke udskiftningsbatterier sammen med metalgenstande af fare for kortslutning.

Brug kun GBS ladeapparater for opladning af System GBS batterier.

Metaldelen må ikke komme i berøring med rummet beregnet for udskiftningsbatterier (kortslutningsfare).

Udskiftningsbatterier og opladere må ikke åbnes og skal opbevares i tørre rum. Beskyt dem mod fugtighed.

I tilfælde af en ekstrem belastning eller ekstrem temperatur kan der flyde batterivæske ud af et beskadiget batteri. Hvis De kommer i berøring med batterivæsken, skal den vaskes godt og grundigt af med vand og sæbe. I tilfælde af øjenkontakt, skal man mindst skylle øjnene godt og grundigt igennem i 10 minutter og omgående opsøge en læge.

**Advarsel!** For at undgå risiko for brand, kvæstelser eller beskadigelse af produktet forårsaget af kortslutning må værktøjet, batteripakken eller opladeren ikke nedsænkes i vand. Sørg ligeledes for, at der ikke trænger væske ind i enhedene og batterierne. Korroderende eller ledende væsker, f.eks. saltvand, bestemte kemikalier, blegestoffer eller produkter, som indeholder blegestoffer, kan forårsage kortslutning.

#### CE-KONFORMITETSERKLÆRING

Vi erklærer som eneansvarlig, at det under „Tekniske data“ beskrevne produkt stemmer overens med alle relevante forskrifter, der følger af direktiv 2011/65/EU (RoHS), 2014/30/EU, 2006/42/EF samt af følgende harmoniserede normative dokumenter:

EN 62841-1:2015

EN 62841-2-14:2015

EN 55014-1:2017

EN 55014-2:2015

EN IEC 63000:2018

Winnenden, 2019-26-02

*Alexander Krug*

Alexander Krug  
Managing Director

Autoriseret til at udarbejde de tekniske dokumenter.

Techtronic Industries GmbH

Max-Eyth-Straße 10

71364 Winnenden

Germany



#### TILTÆNKET FORMÅL

Høvlen er egnet til at høvle flader og false og til affasning af kanter. Produktet må ikke anvendes på anden måde og til andre formål end foreskrevet.

#### BATTERI

Udskiftningsbatterier, der ikke har været brugt i længere tid, efterlades inden brug.

Ved temperaturer over 50°C formindskes batteriets effekt. Undgå direkte sollys og stærk varme.

Tilslutningskontakterne på Powerport og batteri skal holdes rene.

For at opnå en optimal levetid skal de genopladelige batterier oplades fuldt efter brug.

For at sikre en så lang levetid som muligt skal batterierne tages ud af ladeaggregatet efter opladning.

Skal batterierne opbevares længere end 30 dage:

Temperatur ca. 27°C i tørre omgivelser.

Opbevares ved ca. 30%-50% af ladelstanden.

Batteri skal genoplades hver 6. måned.

#### OVERBELASTNINGSSIKRING FOR BATTERI

Akkupack' er en udstyret med en overbelastningssikring, som beskytter akkumulatorbatteriet mod overbelastning og sikrer en høj levetid. Ved ekstrem kraftig belastning kobler batteriets elektronik automatisk maskinen fra. Sluk og tænd maskinen igen for at genoptage driften. Går maskinen ikke i gang igen, er akkupack' en muligvis afladt og skal genoplades i ladeaggregatet.

#### TRANSPORT AF LITHIUM-BATTERIER

Lithium-batterier er omfattet af lovgivningen om transport af farligt gods.

Transporten af disse batterier skal ske under overholdelse af lokale, nationale og internationale regler og bestemmelser.

- Forbrugere må transportere disse batterier på veje uden yderligere krav.

- Den kommercielle transport af lithium-batterier ved speditorsfirmaer er omfattet af reglerne for transport af farligt gods. Forberedelsen af forsendelse og transport må kun udføres af tilsvarende trænedde personer. Den samlede proces skal følges af fagfolk.

Følgende punkter skal overholdes ved transport af batterier:

- Sørg for at kontakterne er beskyttet og isoleret for at forhindre kortslutninger.

- Sørg for at batteripakken ikke kan bevæge sig inden for emballagen.

- Beskadigede eller lækende batterier må ikke transporteres.

Kontakt dit speditorsfirma for at få yderligere oplysninger.

#### HÅNTERING

Pas på ikke at få hånden ind i arbejdsområdet.

Anbring maskinen med den forreste plade på emnet og tænd maskinen, før høvleknivene berører emnet. Før derefter høvlen jævnt hen over emnet.

Pendulbeskyttelseskærmen må kun aktiveres med emnet eller med armen.

V-noten i den forreste anlægspåse muliggør en sikker affasning af kanter.

Hvis der benyttes høvleknive med spånafbrækningsnoter, skal der altid benyttes knivpar med forskelligt antal noter.

#### VEDLIGEHOLDELSE

Hold altid maskinens ventilationsåbninger rene.

Rengør et harpikstilstopet spånudkast med en klud vædet med mineralisk terpentin.

Brug kun AEG tilbehør og reservedele. Lad de komponenter, hvis udskiftning ikke er blevet beskrevet, udskifte hos Atlas Copco service (se kundeserviceadresser).

Hvis det er nødvendigt, kan der bestilles en sprængkitse af værktøjet. Angiv herved venligst maskintypen samt det sekscifrede nummer på mærkepladen og bestil tegningen hos din lokale kundeserviceafdeling eller direkte hos Techtronic Industries GmbH, Max-Eyth-Straße 10, 71364 Winnenden, Tyskland.

#### SYMBOLER

	VIGTIGT! ADVARSEL! FARE!
	Ved arbejde inden i maskinen, bør batteriet tages ud.
	Læs brugsanvisningen nøje før ibrugtagning.
	Brug beskyttelseshandsker!
	Brug høreværn!
	Når der arbejdes med maskinen, skal man have beskyttelsesbriller på.
	Tilbehør - Ikke inkluderet i leveringsomfanget, køb købes som tilbehør.
	Elektrisk udstyr eller (genopladelige) batterier må ikke bortskafling sammen med det almindelige husholdningsaffald. Elektrisk udstyr og genopladelige batterier skal indsamles særskilt og afleveres hos en genbrugsvirksomhed til en miljømæssig forsvarlig bortskafling. Spørg de lokale myndigheder eller din forhandler om genbrugsstationer og indsamlingssteder til sådant affald.
$n$	Omdrejningstal, ubelastet
$V$	Spænding
	Jævnstrøm
	Drejerektion
	Europæisk konformitetsmærke
	Ukrainsk konformitetsmærke
	Eurasisk konformitetsmærke

TEKNISKE DATA	BATTERIDREVT HØVEL	BHO18BL
Produksjonsnummer.....	4743 18 01...	..000001-999999
Spennning vekselbatteri.....	18 V	
Høvelbredde.....	82 mm	
Spondybde maks.....	2,0 mm	
Falsdybde.....	12,5 mm	
Tomgangsturtall.....	14300 min <sup>-1</sup>	
Vekt i henhold til EPTA-Prosedyren 01/2014 (1,5 Ah - 9,0 Ah).....	3,1 - 3,8 kg	
Anbefalt omgivelsestemperatur under arbeid.....	-18...+50 °C	
Anbefalte batterityper.....	L1815R ... L1890RHD	
Anbefalte ladere.....	BL1418	

#### Støy/Vibrasjonsinformasjon

Måleverdier fastslått i samsvar med EN 62841.

Det typiske A-bedømte støynivået for maskinen er:

Lydtrykknivå (Usikkerhet K=3dB(A)).....	89,5 dB (A)
Lydefrektnivå (Usikkerhet K=3dB(A)).....	100,5 dB (A)

#### Bruk hørselsvern!

Totale svingningsverdier (vektorsum fra tre retninger) beregnet jf. EN 62841.

Svingningsemisjonsverdi a <sub>w</sub> .....	3,4 m/s <sup>2</sup>
Usikkerhet K=.....	1,5 m/s <sup>2</sup>

#### ADVARSEL!

De angitte vibrasjonseksponering- og støynivåverdiene har blitt målt i samsvar med standardiserte målemetoder jmfør EN 62841 og kan brukes til å sammenligne et verktøy med et annet. De kan brukes til en foreløpig eksponeringsvurdering.

De angitte vibrasjonseksponering- og støyemisjonsverdiene gjelder for vanlig bruk av verktøyet. Dersom verktøyet blir brukt til noe annet, sammen med annet utstyr eller er dårlig vedlikeholdt kan de angitte vibrasjonseksponering- og støyeverdiene variere. Dette kan øke eksponerings- og emisjonsverdiene betraktelig for hele perioden du bruker verktøyet.

Når en vurderer vibrasjonseksponeringsnivået og støyeverdi må en inkludere den perioden som verktøyet er slått av eller når verktøyet går, men ikke direkte brukes til noe. Dette kan redusere eksponeringsnivået betraktelig over hele perioden som verktøyet er i bruk.

Det er viktig å etablere ytterligere sikkerhetstiltak for å beskytte brukeren mot påvirkning av vibrasjon og/eller støy, slik som: vedlikehold av verktøyet og tilleggsutstyr, hold hendene varme, organiserte arbeidsrutiner.

**ADVARSEL! Les gjennom alle sikkerhets advarsler, anvisninger, illustrasjoner og spesifikasjoner for dette elektroverktøyet.** Feil ved overholdelsen av advarelsene og nedenstående anvisninger kan medføre elektriske støt, brann og/eller alvorlige skader.

**Ta godt vare på alle advarelsene og informasjonene.**

#### SIKKERHETS INSTRUKSER FOR HØVLER

##### Vent til deleinnretningen står stille før du legger bort verktøyet.

En roterende deleinnretning som ligger åpent kan ha innvirkninger på overflaten og føre til at du eventuelt mister kontrollen og til alvorlige skader!

**Bruk en skruestikke eller andre praktiske hjelpemidler for å feste arbeidsstykket på et stabilt underlag.** Å holde arbeidsstykket med hånden eller trykke det kroppen, gjør det ustabil og det kan føre til at man mister kontrollen over arbeidsstykket.

#### YTTERLIGE SIKKERHETS- OG ARBEIDSIKSTRUKSJONER

Bruk alltid vernebrille når du arbeider med maskinen. Det anbefales å bruke arbeidshansker, faste og sklisliske sko og forkle.

Bruk alltid maskinens beskyttelsesinnretninger.

Høve bare med skarpe kniver (høvelblad) og aldri over metall (spiker, skruer)

Ikke grip inn i det farlige området når kniven er i gang!

Støvet som oppstår ved arbeidet er ofte helsefarlig og skal ikke komme i kontakt med kroppen. Bruk derfor vernemaske som er egnet for støv.

Materialer som er helsefarlig skal ikke bearbeides (f.eks. asbest)

Slå av apparatet med en gang dersom det isatte verktøyet er blokkert! Ikke slå apparatet på igjen så lenge det isatte verktøyet er blokkert; her kan det oppstå et tilbakeslag med høyt reaksjonsmoment. Finn ut hvorfor det isatte verktøyet blokkerer og fjern årsaken til dette. Ta herved hensyn til sikkerhets instruksene.

Mulige årsaker til dette kan være:

- det har forkantet seg i arbeidsmenmet som bearbeides
- det har brekt igjennom materialet som bearbeides
- elektroverktøyet er overbelastet

Ikke grip inn i maskinen når den står på og går.

Isatt verktøy kan i bruk bli veldig varmt.

**ADVARSEL!** Fare for forbrønning

- ved skifting av verktøy
- når apparatet legges ned

Spon eller filser må ikke fjernes mens maskinen er i gang.

Ikke kast brukte vekselbatterier i varmen eller husholdningsavfallet. AEG tilbyr en miljøriktig deponering av gamle vekselbatterier; vennligst spør din fagforhandler.

Ikke oppbevar vekselbatterier sammen med metallgjenstander (kortslutningsfare).

Vekselbatterier av systemet GBS skal kun lades med lader av systemet GBS. Ikke lad opp batterier fra andre systemer.

Metalldeleler må ikke komme inn i innskynningssjakten for vekselbatterier på ladere (kortslutningsfare).

Ikke åpne vekselbatterier og ladere, de skal oppbevares i tørre rom.

Beskyttes mot fuktighet.

Under ekstreme belastninger og ekstreme temperaturer kan det lekke ut batterivæske fra utskiftbare batterier. Ved berøring med batterivæske, vask umiddelbart med såpe og vann. Ved kontakt med øynene må øynene skylles grundig i rennende vann i minst 10 minutter. Oppsøk lege umiddelbart.

**Advarsel!** For å unngå fare for en brann forårsaket av en kortslutning, av personskader eller skader av produktet, må det forhindres at batteripakken eller laderen dypes i væsker og også sørges for at ingen væsker kan komme inn i apparatene eller batteriene. Korroderende og ledende væsker som saltvann, visse kjemikalier og blekemidler eller produkt som inneholder blekemidler kan forårsake en kortslutning.

#### CE-SAMSVARSEKLERING

Vi erklærer i alene ansvar at produktet beskrevet i „Teknisk data“ overensstemmer med alle relevante forskrifter til Eu direktiv 2011/65/EU (RoHS), 2014/30/EU, 2006/42/EF og de følgende harmoniserte normative dokumentene.

EN 62841-1:2015

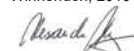
EN 62841-2-14:2015

EN 55014-1:2017

EN 55014-2:2015

EN IEC 63000:2018

Winnenden, 2019-26-02



Alexander Krug  
Managing Director

Autorisert til å utarbeide den tekniske dokumentasjonen

Techtronic Industries GmbH  
Max-Eyth-Straße 10  
71364 Winnenden  
Germany



#### FORMÅLSMESSIG BRUK

Høvelen er egnet til høvling av flater, falsler og til fasing av kanter

Dette apparatet må kun brukes til de oppgitte formål.

#### BATTERIER

Vekselbatterier som ikke er brukt over lengre tid skal etterlades før bruk.

En temperatur over 50°C reduserer vekselbatteriets kapasitet. Unngå oppvarming i sol eller ved varmeovner (fyring) i lengre tid.

Hold tilkoplingskontaktene til Powerport og byttebatteri rene.

For optimal holdbarhet må batteriene lades opp heit etter bruk.

For å sikre en lengst mulig brukstid av batteriene skal disse etter oppladning taes ut av laderen.

Ved lagring av batteriene lengre enn 30 dager:

Lagre batteriet tørt ved ca. 27°C.

Lagre batteriet ved en oppladningstilstand på ca. 30%-50%.

Lade opp batteriet igjen etter 6 måneder.

#### OVERBELASTNINGSVERN FOR OPPLADBARE BATTERIER

Batteripakken er utstyrt med overbelastningsvern som beskytter det oppladbare batteriet mot overbelastning og sikrer en lang levetid.

Ved ekstrem høy belastning kobler maskinens batterielektronikk seg automatisk ut. For å fortsette å arbeide må maskinen slås av og så på igjen. Starter maskinen ikke igjen er batteripakken muligens utladet og må lades opp igjen i laderen.

#### TRANSPORT AV LITIUM-ION-BATTERI

Litium-ion-batterier faller under de lovfestede forskriftene om transport av farlig gods.

Transporten av disse batteriene må rette seg etter lokale, nasjonale og internasjonale forskrifter og bestemmelser.

• Forbruker har lov å transportere disse batteriene på gaten uten reglementering.

• Den kommersielle transport av Litium-ion-batterier av spedisjonsfirma faller under bestemmelsene om transport av farlig gods. Forberedningene av forsendelsen og transport skal utelukkende gjennomføres av personer som har blitt skolert til dette. Hele prosessen skal følges opp av fagfolk.

Følgende punkter skal tas hensyn til ved transport:

• Kontroller at kontaktene er beskyttet og isolert for å unngå kortslutninger.

• Pass på at batteripakken i forpakningen ikke kan skli fram og tilbake.

• Skadede eller batterier som lekket er det ikke lov å transportere.

Ta kontakt med spedisjonsfirma for ytterlige henvisninger.

#### HÅNDTERING

Ikke grip inn i det farlige området når kniven er i gang!

Sett maskinen med fremste platen på arbeidsstykket og slå på maskinen før høvelbladene berører arbeidsstykket. Før så høvelen jevnt over arbeidsstykket.

Pendelbeskyttelseheten skal bare betjenes ved hjelp av arbeidstykket eller med høvelen.

V-noten i den fremre platen muliggjør en sikker fasing av kanter.

Ved bruk av høvelblad med sponsplitter må det alltid brukes bladpar med ulikt notantall.

#### VEDLIKEHOLD

Hold alltid luftenåpningene på maskinen rene.

Hvis sponutkastaren er tilsølt med **størnket harpiks, må dette fjernes med en klut dyppet i terpentinertasting.**

Bruk kun AEG tilbehør og reservedeler. Komponenter der utskifting ikke er beskrevet skal skiftes ut hos AEG kundeservice (se brosjyre garanti/ kundeserviceadresser).

Ved behov kan det fås en eksplosjonstegning av apparatet hos kundeservice eller direkte hos Techtronic Industries GmbH, Max-Eyth-Straße 10, 71364 Winnenden, Germany ved angivelse av maskinens type og det sekstallige nummeret på maskinens skilt.

#### SYMBOLER

	OBS! ADVARSEL! FARE!
	Ta ut vekselbatteriet før du arbeider på maskinen
	Les nøye gjennom bruksanvisningen før maskinen tas i bruk.
	Bruk vernehansker !
	Bruk hørselsvern!
	Bruk alltid vernebrille når du arbeider med maskinen.
	Tilbehør - inngår ikke i leveransen, anbefalt komplettering fra tilbehørsprogrammet.
	Elektriske apparater, batterier/oppladbare batterier skal ikke kastes sammen med vanlig husholdningsavfall. Elektriske og elektroniske apparater og oppladbare batterier skal samles separat og leveres til miljøvennlig deponering hos en avfallsbedrift. Informer deg hos myndighetene på stedet eller hos din fagforhandler hvor det finnes recycling bedrifter og oppsamlingssteder.
$n$	Tomgangsturtall
V	Spennning
≡	Likestrøm
	Rotasjons retning
	Europeisk samsvarsmerke
	Ukrainsk samsvarsmerke
001	
	Euroasiatisk samsvarsmerke

TEKNISKA DATA	BATTERIDRIVEN HYVEL	BHO18BL
Produktionsnummer .....	4743 18 01...	..000001-999999
Batterispänning.....	18 V	
Hyvelbredd .....	82 mm	
Spändjup .....	2,0 mm	
Hyvelbredd max.....	12,5 mm	
Tomgångsvarvtal, obelastad.....	14300 min <sup>-1</sup>	
Vikt enligt EPTA 01/2014 (1,5 Ah - 9,0 Ah).....	3,1 - 3,8 kg	
Rekommenderad omgivningstemperatur vid arbete.....	-18...+50 °C	
Rekommenderade batterityper.....	L1815R ... L1890RHD	
Rekommenderade laddare .....	BL1418	

#### Buller-/vibrationsinformation

Mätvärdena har tagits fram baserade på EN 62841.

A-värdet av maskinens ljudnivå utgår:

Ljudtrycksnivå (Onoggrannhet K=3dB(A))..... 89,5 dB (A)

Ljudeffektsnivå (Onoggrannhet K=3dB(A))..... 100,5 dB (A)

#### Använd hörselskydd!

Totala vibrationsvärden (vektorsumma ur tre riktningar) framtaget enligt EN 62841.

Vibrationsemissionsvärde a<sub>w</sub>..... 3,4 m/s<sup>2</sup>

Onoggrannhet K=..... 1,5 m/s<sup>2</sup>

#### VARNING!

De deklarerade vibrations- och bullernivåerna på detta informationsblad har uppmätts i enlighet med en standardiserad testmetod enligt EN 62841 och kan användas för att jämföra ett verktyg med ett annat. Det kan användas för en preliminär bedömning av exponeringen.

Den angivna vibrations- och bullernivån representerar verktygets huvudsakliga tillämpningar. Om verktyget emellertid används för olika tillämpningar, med olika eller dåligt underhållna tillbehör, kan vibrations- och bullerutsläppet variera. Detta kan öka exponeringsnivån avsevärt över den totala arbetsperioden.

En uppskattning av exponeringsnivån för vibrationer och buller bör även ta hänsyn till de tider då verktyget är avstängt eller när det körs utan att faktiskt arbeta. Detta kan avsevärt minska exponeringsnivån över den totala arbetsperioden.

Identifiera ytterligare säkerhetsåtgärder för att skydda operatören mot effekterna av vibrationer och/eller buller såsom: underhåll av verktyget och tillbehören, hålla händerna varma, organisation av arbetsmönster.

**⚠ VARNING! Läs noga igenom alla säkerhetsanvisningar, illustrationer och specifikationer som medföljer detta elverktyg.** Fel som uppstår till följd av att anvisningarna nedan inte följts kan orsaka elstöt, brand och/eller allvariga kroppsskador. Förvara alla varningar och anvisningar för framtida bruk.

#### ⚠ SÄKERHETSANVISNINGAR FÖR HYVLAR

**Vänta tills skäret står stilla, innan du lägger verktyget ifrån dig.** Ett öppet, liggande och roterande skär kan påverka ytan och leda till en eventuell kontrollförlust och svåra skador!

**Använd ett eller flera skruvståd eller ett annat praktiskt hjälpmedel för att fästa arbetsstycket på ett stabilt underlag.** Om du försöker hålla fast arbetsstycket med handen eller trycker emot med kroppen finns risk att arbetsstycket flyttar sig och att du förlorar kontrollen.

#### ⚠ ÖVRIGA SÄKERHETS- OCH ANVÄNDNINGSPÅBUD

Använd alltid skyddsglasögon, skyddshandskar och hörselskydd.

Använd alltid maskinens skyddsanordningar.

Hyvla endast med skarpa skär och ej över metall (spik, skruvar).

OBS! Håll bort fingrarna från de roterande knivarna.

Det damm som bildas under arbetets gång är ofta hälsofarligt och det ska inte komma in i kroppen. Bär därför lämplig skyddsmask.

Det är inte tillåtet att bearbeta material som kan vara hälsovadligt (t.ex. asbest).

Stäng av maskinen omedelbart om ett verktyg som används sitter fast! Sätt sedan inte på maskinen igen så länge som verktyget som används fortfarande sitter fast, risk för okontrollerade slag med högt reaktionsmoment. Ta reda på orsaken varför verktyget fastnade och åtgärda orsaken med hänsyn till säkerhetsanvisningarna.

Möjliga orsaker kan vara:

- Verktyget sitter snett i arbetsstycket
- Verktyget går igenom materialet som bearbetas
- Elverktyget är överbelastat

Gå aldrig med händerna in i en maskin som är igång.

Verktyget som används kan bli mycket varmt under användningen.

**VARNING!** Risk för brännskador

- vid verktygsbyte
- när man lägger ifrån sig maskinen

Avlägsna aldrig spån eller flisor när maskinen är igång.

Kasta inte förbrukade batterier. Lämn dem till AEG Tools för återvinning.

Förvara ej batteriet ihop med metallföremål, kortslutning kan uppstå.

System GBS batterier laddas endast i System GBS laddare. Ladda inte batterier från andra system.

Se upp så att inga metallföremål hamnar i laddarens batterischakt, kortslutning kan uppstå.

Batterier lagras torr och skyddas för fukt.

Under extrem belastning eller extrem temperatur kan batterivätska tränga ut ur skadade utbytesbatterier. Vid beröring med batterivätska tvätta genast av med vatten och tvål. Vid ögonkontakt spola genast i minst 10 minuter och kontakta genast läkare.

**Varning!** För att undvika den fara för brand, personskador eller produktskador som orsakas av en kortslutning, doppa inte ner verktyget, utbytesbatteriet eller laddaren i vätskor och se till att ingen vätska kan tränga in i apparaterna eller batterierna. Korroderande eller ledande vätskor, som saltvatten, vissa kemikalier, blekningsmedel eller produkter som innehåller blekmedel, kan orsaka en kortslutning.

#### CE-FÖRSÄKRAN

Vi intygar och ansvarar för att den produkt som beskrivs under „Tekniska data“ överensstämmer med alla relevanta bestämmelser i direktiv 2011/65/EU (RoHS), 2014/30/EU, 2006/42/EG och följande harmoniserade numrerade dokument:

EN 62841-1:2015

EN 62841-2-14:2015

EN 55014-1:2017

EN 55014-2:2015

EN IEC 63000:2018

Winnenden, 2019-26-02

*Alexander Krug*

Alexander Krug

Managing Director

Befullmäktigad att sammanställa teknisk dokumentation.

Techtronic Industries GmbH

Max-Eyth-Straße 10

71364 Winnenden

Germany



#### ANVÄND MASKINEN ENLIGT ANVISNINGARNA

Den hyvel hyvlar ytor, fals och fasa kanter.

Maskinen får endast användas för angiven tillämpning.

#### BATTERIER

Batteri som ej använts på länge måste laddas före nytt bruk.

En temperatur över 50°C reducerar batteriets effekt. Undvik längre uppvärmning tex i solen eller nära ett element.

Se till att anslutningskontaktarna både på Powerport och på växelbatteriet alltid är rena.

För att batterierna ska få lång livslängd ska de laddas fulla efter användning.

För att få en så lång livslängd som möjligt bör laddningsbara batterier avlägsnas från laddaren när de är laddade.

Om laddningsbara batterier lagras längre än 30 dagar:

Lagra batteriet torrt och vid ca 27°C.

Lagra batteriet vid ca 30%-50% av laddningskapaciteten.

Ladda batterierna på nytt var 6:e månad.

#### BATTERI-ÖVERBELASTNINGSSKYDD

Batteripaketet är utrustat med ett överlastskydd som skyddar batteriet mot överbelastning och därmed säkerställer en lång livslängd.

Vid extremt stark belastning stänger batterielektroniken av maskinen automatiskt. Stäng först av och slå sedan på maskinen igen för att fortsätta att arbeta. Skulle maskinen inte starta igen, är batteripaketet kanske urladdat och måste på laddas upp igen i laddaren.

#### TRANSPORTERA LITIJUMJON-BATTERIER

För litiumjon-batterier gäller de lagliga föreskrifterna för transport av farligt gods på väg.

Därför får dessa batterier endast transporteras enligt gällande lokala, nationella och internationella föreskrifter och bestämmelser.

• Konsumenter får transportera dessa batterier på allmän väg utan att behöva beakta särskilda föreskrifter.

• För kommersiell transport av litiumjon-batterier genom en speditorsfirma gäller emellertid bestämmelserna för transport av farligt gods på väg. Endast personal som känner till alla tillämpliga föreskrifter och bestämmelser får förbereda och genomföra transporten. Hela processen ska följas upp på fackmässigt sätt.

Följande ska beaktas i samband med transporten av batterier:

• Säkerställ att alla kontakter är skyddade och isolerade för att undvika kortslutning.

• Se till att batteripacken inte kan glida fram och tillbaka i förpackningen.

• Transportera aldrig batterier som läcker, har runnit ut eller är skadade.

För mer information vänligen kontakta din speditorsfirma.

#### ANVÄNDNING

OBS! Håll bort fingrarna från de roterande knivarna.

Sätt maskinen med det främre bordet på arbetsstycket och starta innan hyvelskären berör arbetsstycket. För sedan maskinen jämnt över arbetsstycket.

Pendelskyddshuven öppnar sig och sluts sedan automatiskt när maskinen lyfts upp. Skyddshuven kan också betjänas med hävarmen.

V-noten i det främre bordet möjliggör en säker avfasning av kanter.

Vid bruk av hyvelskär med spånbrytarspår, placera alltid skärpar med variabel spårantal.

Vid bruk av hyvelskär med spånbrytarspår, placera alltid skärpar med variabel spårantal.

Vid bruk av hyvelskär med spånbrytarspår, placera alltid skärpar med variabel spårantal.

Vid bruk av hyvelskär med spånbrytarspår, placera alltid skärpar med variabel spårantal.

Vid bruk av hyvelskär med spånbrytarspår, placera alltid skärpar med variabel spårantal.

Vid bruk av hyvelskär med spånbrytarspår, placera alltid skärpar med variabel spårantal.

Vid bruk av hyvelskär med spånbrytarspår, placera alltid skärpar med variabel spårantal.

Vid bruk av hyvelskär med spånbrytarspår, placera alltid skärpar med variabel spårantal.

Vid bruk av hyvelskär med spånbrytarspår, placera alltid skärpar med variabel spårantal.

Vid bruk av hyvelskär med spånbrytarspår, placera alltid skärpar med variabel spårantal.

Vid bruk av hyvelskär med spånbrytarspår, placera alltid skärpar med variabel spårantal.

Vid bruk av hyvelskär med spånbrytarspår, placera alltid skärpar med variabel spårantal.

Vid bruk av hyvelskär med spånbrytarspår, placera alltid skärpar med variabel spårantal.

Vid bruk av hyvelskär med spånbrytarspår, placera alltid skärpar med variabel spårantal.

Vid bruk av hyvelskär med spånbrytarspår, placera alltid skärpar med variabel spårantal.

Vid bruk av hyvelskär med spånbrytarspår, placera alltid skärpar med variabel spårantal.

Vid bruk av hyvelskär med spånbrytarspår, placera alltid skärpar med variabel spårantal.

Vid bruk av hyvelskär med spånbrytarspår, placera alltid skärpar med variabel spårantal.

Vid bruk av hyvelskär med spånbrytarspår, placera alltid skärpar med variabel spårantal.

Vid bruk av hyvelskär med spånbrytarspår, placera alltid skärpar med variabel spårantal.

Vid bruk av hyvelskär med spånbrytarspår, placera alltid skärpar med variabel spårantal.

Vid bruk av hyvelskär med spånbrytarspår, placera alltid skärpar med variabel spårantal.

Vid bruk av hyvelskär med spånbrytarspår, placera alltid skärpar med variabel spårantal.

Vid bruk av hyvelskär med spånbrytarspår, placera alltid skärpar med variabel spårantal.

Vid bruk av hyvelskär med spånbrytarspår, placera alltid skärpar med variabel spårantal.

Vid bruk av hyvelskär med spånbrytarspår, placera alltid skärpar med variabel spårantal.

Vid bruk av hyvelskär med spånbrytarspår, placera alltid skärpar med variabel spårantal.

Vid bruk av hyvelskär med spånbrytarspår, placera alltid skärpar med variabel spårantal.

Vid bruk av hyvelskär med spånbrytarspår, placera alltid skärpar med variabel spårantal.

Vid bruk av hyvelskär med spånbrytarspår, placera alltid skärpar med variabel spårantal.

Vid bruk av hyvelskär med spånbrytarspår, placera alltid skärpar med variabel spårantal.

#### SYMBOLER

	OBSERVERA! VARNING! FARA!
	Drag ur batteripaket innan arbete utföres på maskinen.
	Läs instruktionen noga innan du startar maskinen.
	Bär skyddshandskar!
	Använd hörselskydd!
	Använd alltid skyddsglasögon.
	Tillbehör - Ingår ej i leveransomfånget, erhålles som tillbehör.
	Elektriska maskiner, batterier/uppladdningsbara batterier och får inte slängas tillsammans med de vanliga hushållsoporna. Elektriska maskiner och uppladdningsbara batterier ska samlas separat och lämnas till en avfallsstation för miljövänlig avfallshantering. Kontakta den lokala myndigheten respektive kommunen eller fråga återförsäljare var det finns speciella avfallsstationer för elskrot.
$n_n$	Tomgångsvarvtal, obelastad
$V$	Spänning
	Likström
	Rotation framåt
	Europeiskt konformitetsmärke
	Ukrainskt konformitetsmärke
	Euroasiatiskt konformitetsmärke

TEKNISET ARVOT	AKKUHOYLÄ	BHO18BL
Tuotantonumero .....	4743 18 01...	..000001-999999
Jännite vaihtoakku .....	18 V	
Hyllysleveys .....	82 mm	
Lastun paksuus maks. ....	2,0 mm	
Huulossyvyyys .....	12,5 mm	
Kuormittamaton kierrosluku .....	14300 min <sup>-1</sup>	
Paino EPTA-menetelty 01/2014 mukaan (1,5 Ah - 9,0 Ah) .....	3,1 - 3,8 kg	
Suosittelun ympäristön lämpötila työn aikana .....	-18...+50 °C	
Suosittelut akkutyypit .....	L 1815R ... L1890RHD	
Suosittelut latauslaitteet .....	BL1418	

#### Melunpäästö-/ärinä tiedot

Mitta-arvot määritetty EN 62841 mukaan.	
Koneen tyyppilinen A-luokitettu melutaso:	
Melutaso (Epävarmuus K=3dB(A)) .....	89,5 dB (A)
Äänenvoimakkuus (Epävarmuus K=3dB(A)) .....	100,5 dB (A)

#### Käytä kuulosuojaimia!

Värähtelyn yhteisarvot (kolmen suunnan vektorisumma) mitattuna EN 62841 mukaan.

Värähtelyemissioarvo a <sub>w</sub> .....	3,4 m/s <sup>2</sup>
Epävarmuus K= .....	1,5 m/s <sup>2</sup>

#### VAROITUS!

Tässä tiedotteessa ilmoitettu (ilmoitetut) äärinä- ja melupäästöarvo(t) on mitattu standardisoidulla testimenetelmällä SFS-EN 62841 mukaisesti ja sitä voidaan käyttää työkalun vertailamiseen toisen työkalun kanssa. Sitä voidaan käyttää alustavaan alitustuksen arviointiin.

Ilmoitettu äärinä- ja melupäästöarvo koskee työkalun pääkäyttötarkoituksia. Jos kuitenkin työkalua käytetään eri käyttötarkoituksiin eri varusteiden kanssa tai huonosti huollettuna, voi äärinä- ja melupäästö erota ilmoitetusta. Tämä voi merkittävästi nostaa alitustustasoa koko työskentelyjakson ajaksi.

Arvioidussa äärinä- ja meluallistustasossa tulisi ottaa huomioon myös työkalun sammuuskerrat tai sen tyhjääkäynti. Tämä voi merkittävästi laskea alitustustasoa koko työskentelyjakson ajaksi.

Tunnista esimerkiksi seuraavat lisävarusteet, joilla voidaan suojata käyttäjää äärinä ja/tai melun vaikutuksilta: työkalun ja varusteiden ylläpito, käsien lämpimäntä pito, työnkulun organisointi.

**VAROITUS Lue kaikki turvallisuusmääräykset, ohjeet, kuvitukset ja erittelyt, jotka toimitetaan tämän sähkötyökalun mukana.** Jäljempänä annettujen ohjeiden noudattamisen laiminlyönti saattaa johtaa sähköiskuun, tulipaloon ja/tai vakavaan loukkaantumiseen.

**Säilytä kaikki turvallisuus- ja muut ohjeet tulevaisuutta varten.**

#### Ä HOYLIIEN TURVALLISUUSMÄÄRÄYKSET

**Odottakaa, kunnes erotuslaite on täysin pysähtynyt, ennen kuin laskette työkalun.** Avoimena olevalla, pyörivällä erotuslaitteella saattaa olla vaikutuksia pintaan ja se voi mahdollisesti johtaa hallinnan menetykseen ja vakaviin loukkaantumiin!

**Käytä ruuvipuristimia tai muita käytännöllisiä apuvälineitä kiinnittämään työstettävä kappale tukevalle alustalle.** Vain kädessä pidetty tai vartaloilla vastaan painaen tuettu työstökappale saattaa luiskahtaa pois ja tästä voi seurata laitteen hallinnan menettäminen.

#### Ä TÄYDENTÄVIÄ TURVALLISUUSMÄÄRÄYKSIÄ JA TYÖSKENTELYOHJEITA

Käytä laitteella työskennellessäsi aina suojalaseja. Suojakäsineiden, turvallisten ja tukevarhojen kien, kuulosuojainten ja suojaesiliinien käyttöä suositellaan.

Laitteen suojaruuvareita on ehdottomasti käytettävä.

Käytä vain teräviä teriä äläkä höylää koskaan metallin yli (naulat, ruuvit). Älä koskaan vie käsiä käynnissä olevan koneen vaarallisille alueille.

Koneen käytöstä aiheutuva pöly ja jäte voi olla haitallista terveydelle eikä sen vuoksi tulisi päästä kosketukseen ihon kanssa. Koneella työskennellessä on käytettävä sopivaa suojainta.

Terveydellisiä vaaroja aiheuttavien materiaalien (esim. asbestin) työstäminen on kielletty.

Jos käytetty työkalu juuttuu kiinni, sammuta laite heti! Älä kytke laitetta uudelleen päälle työkalun ollessa vielä kiinni juuttuneena, koska tästä saattaa aiheutua voimakas takaisku. Selvitä työkalun juuttumisen syy ja poista syy turvallisuusmääräyksiä noudattaen.

Mahdollisia syitä voivat olla:

- työkalun vinoutuminen työstökappaleessa
- työstetyn materiaalin puhkaiseminen
- sähkötyökalun ylikuormitus

Älä tartu käynnissä olevan koneen työosiin.

Käytetty työkalu saattaa kuumeta käytön aikana.

**VAROITUS!** Palovamman vaara

- työkalua vaihdettaessa
- laitetta pois laskettaessa

Lastuja tai puruja ei saa poistaa koneen käydessä.

Käytettyä vaihtoakkuja ei saa polttaa eikä poistaa normaalin jätehuollon kautta. ÄEGLa on tarjolla vanhoja vaihtoakkuja varten ympäristöystävällinen jätehuoltopalvelu.

Vaihtoakkuja ei saa säilyttää yhdessä metalliesineiden kanssa (oikosulkuvaara).

Käytä ainoastaan System GBS latauslaitetta System GBS akkujen lataukseen. Älä käytä muiden järjestelmien akkuja.

On varottava, ettei latauslaitteiden vaihtoakkulatauskoloon joutu metalliesineitä (oikosulkuvaara).

Vaihtoakkuja ja latauslaitteita ei saa avata. Säilytys vain kuivissa tiloissa. Suojattava kosteudelta.

Vaurioituneesta akusta saattaa erityisen kovassa käytössä tai poikkeavassa lämpötilassa vuotaa akkuhappoa. Ihonkohta, joka on joutunut kosketukseen akkuhapon kanssa on viipymättä pestävä vedellä ja saippualla. Silmä, johon on joutunut akkuhappoa, on huuhdeltava vedellä vähintään 10 minuutin ajan, jonka jälkeen on viipymättä hakeuduttava lääkärin apuun.

**Varoitus!** Jotta vältetään lyhytsulun aiheuttama tulipalon, loukkaantumisen tai tuotteen vahingoittumisen vaara, älä koskaan upota työkalua, vaihtoakkuja tai latauslaitetta nesteeseen ja huolehdi siitä, ettei mitään nesteitä pääse tunkeutumaan laitteiden tai akkujen sisään. Syövyttävät tai sähköä johtavat nesteet, kuten suolavesi, tietyt kemikaalit ja lalkaisuaineet tai valkaisuaineita sisältävät tuotteet voivat aiheuttaa lyhytsulun.

#### TODISTUS CE-STANDARDINMUKAISUUDESTA

Vakuutamme yksinvastuullisesti, että kohdassa „Tekniset tiedot“ kuvattu tuote vastaa kaikkia sitä koskevia direktiivien 2011/65/EU (RoHS), 2014/30/EU, 2006/42/EY määräyksiä sekä seuraavia harmonisoituja standardisoivia asiakirjoja:

EN 62841-1:2015  
EN 62841-2-14:2015  
EN 55014-1:2017  
EN 55014-2:2015  
EN IEC 63000:2018

Winnenden, 2019-26-02

*Alexander Krug*

Alexander Krug  
Managing Director

Valtuutettu kokoamaan tekniset dokumentit.



Techtronic Industries GmbH  
Max-Eyth-Straße 10  
71364 Winnenden  
Germany

#### TARKOITUKSENMUKAINEN KÄYTTÖ

Elektronikalla toimiva höylä sopii pintojen ja huulosten höyläykseen ja särmien viistoamiseen.

Älä käytä tuotetta ohjeiden vastaisesti.

#### AKKU

Pitkäikäisiä käyttämättä olleet vaihtoakut on ladattava ennen käyttöä.

Yli 50°C lämpötilassa akun suorituskyky heikkenee. Vältäthän akkujen säilyttämistä auringossa tai kuumissa tiloissa.

Pidä Powerportin ja vaihtoakun liitäntäkontaktit aina puhtaina.

Optimaalisen käyttöajan saavuttamiseksi akut on ladattava täyteen käytön jälkeen.

Mahdollisimman pitkän elinajan takaamiseksi akut tulee poistaa laturista lataamisen jälkeen.

Akkuja yli 30 päivää säilytettäessä:

Säilytä akku yli 27 °C:ssa ja kuivassa.

Säilytä akku sen latauksen ollessa 30 % - 50 %.

Lataa akku 6 kuukauden välein uudelleen.

#### AKUN YLIKUORMITUSSUOJAUS

Akkusarja on varustettu ylikuormitusuojalla, joka suojaa akkua ylikuormituksesta ja varmistaa sen pitkän elinkaaren.

Äärimmäisrasituksessa akkuelektronikka sammuttaa koneen automaattisesti. Työn jatkamiseksi kone kytketään pois ja sitten jälleen päälle. Jos kone ei käynnisty uudelleen, niin akkusarja saattaa olla tyhjentynyt ja se täytyy ladata uudelleen latauslaitteella.

#### LITIUMI-IONIAKKUVEN KULJETTAMINEN

Litiumi-ioniakut kuuluvat vaarallisten aineiden kuljetuksesta annettujen lakien piiriin.

Näiden akkujen kuljettaminen täytyy suorittaa noudattaen paikallisia, kansallisia ja kansainvälisiä määräyksiä ja säädöksiä.

• Kuluttajat saavat ilman muuta kuljettaa näitä akkuja teitä pitkin.

• Kaupallisessa kuljetuksessa huolintaliikkeiden täytyy kuljettaa litiumi-ioniakkuja vaarallisten aineiden kuljetuksesta annettujen määräysten mukaisesti. Ainoastaan tähän vastaavasti koulutetut henkilöt saavat suorittaa kuljetuksen valmistelutoimet ja itse kuljetuksen. Koko prosessia tulee valvoa asiantuntevasti.

Seuraavat kohdat tulee huomioida akkuja kuljetettaessa:

• Varmista, että akkujen kontaktit on suojattu ja eristetty, jotta vältetään lyhytsulut.

• Huolehdi siitä, ettei akkusarja voi luiskahtaa paikaltaan pakkauksen sisällä.

• Vahingoittuneita tai vuotavia akkuja ei saa kuljettaa.

Pyydä tarkemmat tiedot huolintaliikkeiltäsi.

#### KÄYTTÖVIHJEITÄ

Älä koskaan vie käsiä käynnissä olevan koneen vaarallisille alueille.

Aseta pohjalevyn etureuna työkappaleen päälle ja kytke kone käyntiin ennenkuin höylänterät koskettavat työkappaletta, ja kuljeta sitten konetta tasaisesti.

Avautuva teräsuojia sulkeutuu itsestään kun kone nostetaan ylös. Sitä voi osin käyttää myös vivulla.

V-ura etupöydässä mahdollistaa varman reunojen viistämisen.

Lastunikkojaaurilla varustettuja teriä käytettäessä on asennettava aina erirasaiset teräparit.

#### HUOLTO

Pidä moottorin ilmanottoaukot puhtaina.

Puhdista pikkaantunut lastunpoistolaitte terpentiniiniin kostutetulla rievulla.

Käytä vain AEG:n lisälaitteita ja varaosia. Käytä ammattitaitoisten AEG-huoltosopimusliikkeiden palveluja muiden kuin käyttöohjeessa kuvattujen osien vaihdossa. (esite takuu/huoltoilkeluettelo).

Tarvittaessa voit pyytää laitteen räjähdyspiirustuksen ilmoittaan konetyypin ja tyyppikilvessä olevan kuusinumeroisen luvun huoltopalvelustasi tai suoraan osoitteella Techtronic Industries GmbH, Max-Eyth-Strasse 10, 71364 Winnenden, Saksa.

SYMBOLIT	
	HUOMIO! VAROITUS! VAARA!
	Ota akku pois ennen kaikkia koneeseen tehtäviä toimenpiteitä.
	Lue käyttöohjeet huolellisesti, ennen koneen käynnistämistä.
	Käytä suojakäsineitä!
	Käytä kuulosuojaimia!
	Käytä laitteella työskennellessäsi aina suojalaseja.
	Lisälaitte - Ei sisälly vakiovarustukseen, saatavana lisäerivivkkeena.
	Sähkölaitteita, paristoja/akkuja ei saa hävittää yhdessä kotitalousjätteiden kanssa. Sähkölaitteet ja akut tulee kerätä erikseen ja toimittaa kierrätysliikkeeseen ympäristöystävällistä hävittämistä varten. Pyydä paikallisilta viranomaisilta tai alan kauppiailta tarkemmat tiedot kierrätyspisteistä ja keräyspaikoista.
$n$	Kuormittamaton kierrosluku
$v$	Jännite
	Tasavirta
	Pyörintasuunta
	Euroopan säännönmukaisuusmerkki
	Ukrainan säännönmukaisuusmerkki
	Euraasian säännönmukaisuusmerkki

ΤΕΧΝΙΚΑ ΣΤΟΙΧΕΙΑ	ΠΛΑΝΗ ΜΠΑΤΑΡΙΑΣ	ΒΗΘ18ΒL
Αριθμός παραγωγής.....		4743 18 01... ...000001-999999
Τάση αναλλακτικής μπαταρίας.....		18 V
Πλάτος πλάνης.....		82 mm
Βάθος σύσφιξης μέγ.....		2.0 mm
Βάθος πτυχής.....		12.5 mm
Αριθμός στροφών χωρίς φορτίο.....		14300 min <sup>-1</sup>
Βάρος σύμφωνα με τη διαδικασία ΕΡΤΑ 01/2014 (1.5 Ah - 9.0 Ah).....		3.1 - 3.8 kg
Συνιστώμενη θερμοκρασία περιβάλλοντος κατά την εργασία.....		-18...+50 °C
Συνιστώμενοι τύποι συσσωρευτών.....		L 1815R ... L 1890RHD
Συνιστώμενες συσκευές φόρτισης.....		BL1418

#### Πληροφορίες θορύβου/δονήσεων

Τιμές μέτρησης εξακριβωμένες κατά EN 62841.

Η σύφωνα με την καμπύλη Α εκτιμώμεια στάθμη θορύβου του μηχανήματος αναφέρεται σε:

Στάθμη ηχητικής πίεσης (Ανασφάλεια K=3dB(A))..... 89.5 dB (A)

Στάθμη ηχητικής ισχύος (Ανασφάλεια K=3dB(A))..... 100.5 dB (A)

#### Φοράτε προστασία ακοής (ωασιπίδες)!

Υλικές τιμές κραδασμών (άθροισμα διανυσμάτων τριών διευθύνσεων) εξακριβώθηκαν

σύμφωνα με τα πρότυπα EN 62841.

Τιμή εκπομπής δονήσεων a<sub>w</sub>..... 3.4 m/s<sup>2</sup>

Ανασφάλεια K=..... 1.5 m/s<sup>2</sup>

#### ΠΡΟΕΙΔΟΠΟΙΗΣΗ

Το αναφερόμενο στο παρόν φυλλάδιο επίπεδο τιμών δόνησης και εκπομπής θορύβου έχει μετρηθεί σύμφωνα με μια τυπική μέθοδο δοκιμών κατά το πρότυπο EN 62841 και μπορεί να χρησιμοποιηθεί για τη σύγκριση εργαλείων μεταξύ τους. Μπορεί να χρησιμοποιηθεί για μια προκαταρκτική αξιολόγηση της έκθεσης.

Οι αναφερόμενες τιμές επιπέδων δόνησης και εκπομπής θορύβου αντιστοιχούν στις βασικές εφαρμογές του εργαλείου. Στην περίπτωση χρήσης του εργαλείου σε διαφορετικές εφαρμογές, με διαφορετικά εξαρτήματα ή ανεπαρκή συντήρηση, τα επίπεδα δόνησης και εκπομπών θορύβου ενδέχεται να διαφέρουν. Αυτό μπορεί να έχει ως συνέπεια μία σημαντική αύξηση των επιπέδων έκθεσης καθόλη τη διάρκεια εκτέλεσης των εργασιών.

Για μία εκτίμηση των επιπέδων έκθεσης σε δόνηση και θόρυβο πρέπει να συνυπολογίζονται οι χρόνοι απενεργοποίησης του εργαλείου ή αυτοί κατά τους οποίους παραμένει ενεργό χωρίς να εκτελείται κάποια εργασία. Αυτό μπορεί να μειώσει σημαντικά τα επίπεδα έκθεσης καθόλη τη διάρκεια εκτέλεσης των εργασιών.

Ορίστε πρόσθετα μέτρα προστασίας του χειριστή από την έκθεση στη δόνηση ή/και στον θόρυβο όπως: συντήρηση του εργαλείου και των παρελκόμενων εξαρτημάτων, διατήρηση θερμότητας των χεριών, οργάνωση μοτίβων εργασίας.

**!** **ΠΡΟΕΙΔΟΠΟΙΗΣΗ Διαβάστε όλες τις προειδοποιητικές υποδείξεις, οδηγίες, περιγραφές και προδιαγραφές ή/ από το ηλεκτρικό εργαλείο.** Αμέλειες κατά την τήρηση των προειδοποιητικών υποδείξεων μπορεί να προκαλέσουν ηλεκτροπληξία, κίνδυνο πυρκαγιάς ή/και σοβαρούς τραυματισμούς.  
**Φυλάξτε όλες τις προειδοποιητικές υποδείξεις και οδηγίες για κάθε μελλοντική χρήση.**

#### ! ΥΠΟΔΕΞΕΙΣ ΑΣΦΑΛΕΙΑΣ ΓΙΑ ΠΛΑΝΕΣ

Περιμένετε έως ότου ακινητοποιηθεί η διάταξη απουσύνδεσης πριν αποβέσετε το εργαλείο. Μια ανοιχτή, περιτρεφόμενη διάταξη απουσύνδεσης θα μπορούσε να έχει επίδραση στην επιφάνεια και ενδεχομένως να οδηγήσει σε απώλεια του ελέγχου και σε σοβαρούς τραυματισμούς!

Χρησιμοποιείτε σφινκτίρες ή άλλα πρακτικά βοηθητικά μέσα για να στερεώσετε το τεμάχιο κατεργασίας επάνω σε μια σταθερή βάση. Σε κράτημα του τεμαχίου κατεργασίας με το χέρι ή στήριξη του με το σώμα μπορεί να γλιστρήσει το τεμάχιο κατεργασίας και αυτό μπορεί να οδηγήσει σε απώλεια του ελέγχου.

#### ! ΠΕΡΑΙΤΕΡΟ ΟΔΗΓΙΕΣ ΑΣΦΑΛΕΙΑΣ ΚΑΙ ΧΡΗΣΙΣ

Στις εργασίες με τη μηχανή φοράτε πάντοτε προστατευτικά γυαλιά. Συνιστάνται τα προστατευτικά γάντια, τα σταθερά και ανιολισθητικά παπούτσια και η ποδιά.

Χρησιμοποιείτε οπωσδήποτε τη διάταξη προστασίας της μηχανής.

Το πλάνισμα να γίνεται μόνο με καλά ακονισμένα μαχαίρια και ποτέ πάνω από μέταλλο (καρφιά, βίδες).

Μην ακουμπάτε στην επικίνδυνη περιοχή των μαχαίριων που κινούνται!

Η σκόνη που δημιουργείται κατά την εργασία είναι συχνά επιβλαβής για την υγεία και δεν επιτρέπεται να έλθει στο σώμα. Να φοράτε κατάλληλη μάσκα προστασίας από σκόνη.

Μην επέξεργάζεστε επικίνδυνα για την υγεία υλικά (π.χ. αμιάντος).

Σε περίπτωση μπλοκαρίσματος της αρίδας απενεργοποιείστε αμέσως τη συσκευή! Μην ενεργοποιείτε εκ νέου τη συσκευή όσο η αρίδα είναι μπλοκαρισμένη. Σε αυτή τη περίπτωση θα μπορούσα να προκληθεί υψηλή ροπή αντίδρασης. Βρείτε την αία του μπλοκαρίσματος της αρίδας και ξεμπλοκαρέτε την λαμβάνοντας υπόψη τις οδηγίες ασφαλείας.

Πιθανές αιτίες:

- Η αρίδα μάγκωσε με το προς κατεργασία κομμάτι.
- Στάσιμο του προς κατεργασία υλικού.
- Υπερφόρτωση του ηλεκτρικού εργαλείου.

Μην απλώνετε τα χέρια σας στην επικίνδυνη περιοχή της μηχανής όταν είναι σε λειτουργία. Η θερμοκρασία της αρίδας μπορεί να φτάσει σε υψηλά επίπεδα κατά τη λειτουργία.

#### ΠΡΟΕΙΔΟΠΟΙΗΣΗ! Κίνδυνος εγκαυμάτων

- κατά την αλλαγή εργαλείου (αρίδας)
- κατά την απόθεση της συσκευής

Τα γράφη ή οι σκληθρες δεν επιτρέπεται να απομακρύνονται όσο η μηχανή βρίσκεται σε λειτουργία.

Μην πετάτε τις μεταχειρισμένες αναλλακτικές μπαταρίες στη φωτιά ή στα οικιακά απορρίμματα. Η AEG προσφέρει μια απόσυρση των παλιών αναλλακτικών μπαταριών

#### ΧΡΗΣΗ ΣΥΜΦΩΝΑ ΜΕ ΤΟ ΣΚΟΠΟ ΠΡΟΟΡΙΣΜΟΥ

Η πλάνη είναι κατάλληλη για το πλάνισμα επιφανειών και αυλάκων και για το στάσιμο των ακμών.

Αυτή η συσκευή επιτρέπεται να χρησιμοποιηθεί μόνο σύμφωνα με τον αναφερόμενο σκοπό προορισμού.

#### ΜΠΑΤΑΡΙΕΣ

Επαναφορτίζετε τις αναλλακτικές μπαταρίες που δεν έχουν χρησιμοποιηθεί για μεγαλύτερο χρονικό διάστημα πριν τη χρήση.

Μια θερμοκρασία πάνω από 50°C μειώνει την ισχύ της αναλλακτικής μπαταρίας.

Αποφεύγετε τη θέρμανση για μεγαλύτερο χρονικό διάστημα από τον ήλιο ή τις συσκευές θέρμανσης.

Διατηρείτε καθαρές τις επαφές σύνδεσης στο Powerport και στην αναλλακτική μπαταρία.

Για μια άριστη διάρκεια ζωής πρέπει μετά τη χρήση οι μπαταρίες να φοριστούν πλήρως.

Για μια κατά το δυνατόν μεγάλη διάρκεια ζωής οι μπαταρίες μετά τη φόρση οφείλουν να αφαιρεθούν από το φορτιστή.

Για την αποθήκευση της μπαταρίας για διάστημα μεγαλύτερο των 30 ημερών:

Αποθηκεύετε τη μπαταρία περ. στους 27°C σε στεγνό χώρο.

Αποθηκεύετε τη μπαταρία περ. στο 30%-50% της κατάστασης φόρτισης.

Κάθε 6 μήνες φορτίζετε εκ νέου τη μπαταρία.

#### ΠΡΟΣΤΑΣΙΑ ΥΠΕΡΦΟΡΤΩΣΗΣ ΤΗΣ ΜΠΑΤΑΡΙΑΣ

Το πακέτο μπαταρίας είναι εξοπλισμένο με μια προστασία υπερφόρτωσης, η οποία προστατεύει τη μπαταρία από υπερφόρτωση και εξασφαλίζει μια μεγάλη διάρκεια ζωής. Σε ιδιαίτερα υψηλή καταπόνηση ο ηλεκτρονικός εξοπλισμός της μπαταρίας απενεργοποιεί αυτόματα τη μηχανή. Για να συνεχίσετε την εργασία απενεργοποιείτε και ενεργοποιείτε πάλι τη μηχανή. Εάν δεν ξεκινήσει πάλι η μηχανή, πιθανό το πακέτο μπαταρίας να είναι άδειο και θα πρέπει να φορτιστεί εκ νέου στη συσκευή φόρτισης.

#### ΜΕΤΑΦΟΡΑ ΤΩΝ ΜΠΑΤΑΡΙΩΝ ΙΟΝΤΩΝ ΛΙΘΙΟΥ

Οι μπαταρίες ιόντων λιθίου υπόκεινται στις απαιτήσεις των νομικών διατάξεων για την μεταφορά επικινδύνων εμπορευμάτων.

Η μεταφορά τέτοιων μπαταριών πρέπει να πραγματοποιείται τηρώντας τους τοπικούς, εθνικούς και διεθνείς κανονισμούς και τις αντίστοιχες διατάξεις.

- Επιτρέπεται η μεταφορά τέτοιων μπαταριών στο δρόμο χωρίς περαιτέρω απατήσεις.

- Η εμπορική μεταφορά μπαταριών ιόντων λιθίου από εταιρείες μεταφορών υπόκειται στις απαιτήσεις των νομικών διατάξεων για την μεταφορά επικινδύνων εμπορευμάτων. Οι προετοιμασίες αποστολής και η μεταφορά πραγματοποιούνται αποκλειστικά από ειδικά εκπαιδευμένα πρόσωπα. Η συνολική διαδικασία συνοδεύεται από εξειδικευμένο προσωπικό.

Κατά τη μεταφορά μπαταριών ιόντων λιθίου πρέπει να προσέχετε τα εξής:

- Φροντίστε τα σημεία επαφών να είναι προστατευμένα και μονωμένα ώστε να αποφευχθούν βραχυκυκλώματα.
- Προσέξτε το πακέτο μπαταριών να είναι σταθερό μέσα στη συσκευασία και να μη γλιστρά.
- Η μεταφορά μπαταριών που παρουσιάζουν φθορές ή διαρροές δεν επιτρέπεται. Για περισσότερες πληροφορίες απευθυνθείτε στην εταιρεία μεταφορών.

#### ΧΕΙΡΙΣΜΟΣ

Μην ακουμπάτε στην επικίνδυνη περιοχή των μαχαίριων που κινούνται!

Τοποθετήστε τη μηχανή με τη μπροστινή πλάκα επάνω στο αντικείμενο που θα κατεργαστεί και ανάψτε την προτού ακουμπήσουν τα μαχαίρια τη πλάνη το κατεργαστό αντικείμενο. Κατόπιν οδηγήστε τη μηχανή ομοίομορφα πάνω στο κατεργαστό αντικείμενο.

Το προστατευτικό κάλυμμα επιτρέπεται να ενεργοποιηθεί μόνο από το κατεργαστό αντικείμενο ή με το μοχλό.

Το αλτάκι σε σχήμα V στην μπροστινή πλάκα παρέχει τη δυνατότητα ασφαλούς στασιμότητας των ακμών.

Κατά την χρήση των μαχαίριων πλάνης με αυλακώσεις θραύσης αποβλίπουν να τοποθετείτε πάντοτε τα ξυμάρια των μαχαίριων με διαφορετικό αριθμό αυλακώσεων.

#### ΣΥΝΤΗΡΗΣΗ

Διατηρείτε πάντοτε τις σχισμές εξασρισμού της μηχανής καθαρές.

Καθαρίστε το σημείο εκτόξευσης των τριονιδιών που έχει ρητίνη με ένα πανί που βουτηγεί σε υποκατάστατο νεφτού.

Χρησιμοποιείτε μόνο εξαρτήματα και αναλλακτικά της AEG. Αναθέστε την αλλαγή των εξαρτημάτων, των οποίων η αντικατάσταση δεν έχει περιγραφεί, σ' ένα κέντρο σέρβις της AEG (προσέξτε το εγχειρίδιο Εγγύηση/Διευθύνσεις εξυπηρέτησης πελατών).

Σε περίπτωση που το χρειαστείτε μπορείτε να παραγγείλετε λεπτομερές σχέδιο της συσκευής αναφέροντας τον τύπο και τον εξαμψίο αριθμό που βρίσκεται στην πινακίδα τεχνικών χαρακτηριστικών από την εξυπηρέτηση πελατών ή απευθείας από την Techtronic Industries GmbH, διεύθυνση Max-Eyth-Straße 10, 71364 Winnenden, Germany.

#### ΣΥΜΒΟΛΑ

	ΠΡΟΣΟΧΗ! ΠΡΟΕΙΔΟΠΟΙΗΣΗ! ΚΙΝΔΥΝΟΣ!
	Πριν από κάθε εργασία στη μηχανή αφαιρείτε την αναλλακτική μπαταρία.
	Παρακαλώ διαβάστε σχολαστικά τις οδηγίες χρήσης πριν από την έναρξη λειτουργίας.
	Να φοράτε προστατευτικά γάντια!
	Φοράτε προστασία ακοής (ωασιπίδες)!
	Στις εργασίες με τη μηχανή φοράτε πάντοτε προστατευτικά γυαλιά.
	Εξαρτήματα - Δεν περιλαμβάνονται στα υλικά παράδοσης, συνιστώμενη προσθήκη από το πρόγραμμα εξαρτημάτων.
	Ηλεκτρικά μηχανήματα, μπαταρίες/συσσωρευτές δεν επιτρέπεται να απορρίπτονται μαζί με τα οικιακά απορρίμματα. Ηλεκτρικά μηχανήματα και συσσωρευτές συλλέγονται ξεχωριστά και παραδίδονται προς ανακύκλωση με τρόπο φιλικό προς το περιβάλλον σε επιγρήση επεξεργασίας απορριμμάτων. Ενημερωθείτε από τις τοπικές υπηρεσίες ή από ειδικευμένους εμπόρους σχετικά με κέντρα ανακύκλωσης και συλλογής απορριμμάτων.
$n$	Αριθμός στροφών χωρίς φορτίο
$v$	Τάση
	Συνεχές ρεύμα
	Φορά περιστροφής
	Ευρωπαϊκό σήμα πιστότητας
	Ουκρανικό σήμα πιστότητας
001	
	Ευρασιατικό σήμα πιστότητας

TEKNİK VERİLER	AKÜ PLANYASI	BHO18BL
Üretim numarası .....	4743 18 01...	..000001-999999
Kartuş akü gerilimi .....	18 V	
Planya genişliği .....	82 mm	
Talaş derinliği maks. ....	2.0 mm	
Oluk derinliği .....	12.5 mm	
Boşta ki devir sayısı .....	14300 min <sup>-1</sup>	
Ağırlığı ise EPTA-üretici 01/2014'e göre (1,5 Ah - 9,0 Ah).....	3,1 - 3,8 kg	
Çalışma sırasında tavsiye edilen ortam sıcaklığı .....	-18, +50 °C	
Tavsiye edilen akü tipleri.....	L 1815R ... L1890RHD	
Tavsiye edilen şarj aletleri.....	BL1418	
<b>Gürültü/Vibrasyon bilgileri</b>		
Ölçüm değerleri EN 62841 e göre belirlenmektedir.		
Aletin, frekansa bağımlı uluslararası ses basıncı seviyesi değerlendirme eğrisi Aya göre tipik gürültü seviyesi:		
Ses basıncı seviyesi (Tolerans K=3dB(A)) .....	89,5 dB (A)	
Akustik kapasite seviyesi (Tolerans K=3dB(A)) .....	100,5 dB (A)	
<b>Koruyucu kulaklık kullanın!</b>		
Toplam titreşim değeri (üç yönün vektör toplamı) EN 62841'e göre belirlenmektedir:		
Titreşim emisyon değeri a <sub>w</sub> .....	3,4 m/s <sup>2</sup>	
Tolerans K= .....	1,5 m/s <sup>2</sup>	

#### UYARI!

Bu bilgi formunda belirtilen titreşim ve gürültü düzeyi EN 62841 uyarınca standart bir test yöntemine göre ölçülmüş olup, bir aleti diğerleriyle karşılaştırmak için kullanılabilir. Bir maruz kalma ön değerlendirmesi için de kullanılabilir.

Beyan edilmiş titreşim ve gürültü emisyon değeri aletin ana uygulamalarını temsil eder. Ancak, alet farklı uygulamalar için veya farklı aksesuarla kullanılır ya da aletin bakımı yetersiz yapılırsa, titreşim ve gürültü emisyonu farklılık gösterebilir. Bu, toplam çalışma süresi boyunca maruz kalma seviyesini önemli ölçüde artırabilir.

Titreşim ve gürültüye maruz kalma seviyesi tahmininde, aletin kapalı olduğu veya çalıştığı, ancak aslında işini yapmadığı süreler de göz önünde bulundurulmalıdır. Bu, toplam çalışma süresi boyunca maruz kalma seviyesini önemli ölçüde azaltabilir.

Operatörü titreşim ve/veya gürültünün etkilerinden korumak için, aletin ve aksesuarların bakımını yapmak, elleri sıcak tutmak ve çalışma biçimlerini düzenlemek gibi ilave güvenlik önlemleri belirleyin.

**⚠ UYARI! Bu elektrikli el aletiyle ilgili bütün uyarıları, talimat hükümlerini, gösterimleri ve spesifikasyonları okuyun.** Aşağıda açıklanan talimat hükümlerine uyulmadığı takdirde elektrik çarpmalarına, yangınlara ve/veya ağır yaralanmalara neden olunabilir. **Bütün uyarıları ve talimat hükümlerini ileride kullanmak üzere saklayın.**

#### ⚠ RENDELER İÇİN GÜVENLİK UYARILARI

**Ayırma düzeneği durana kadar bekleyin ve sonra takımı çıkarınız.** Açıkta duran ve dönen bir ayırma düzeneği yüzey üzerine etki yaratabilir ve olası kontrol kaybına ve ağır yaralanmalara neden olabilir!

**Aleti sağlam bir altlığa sabit olarak tutturabilmek amacıyla vidalı mengine veya diğer pratik yardımcı aletler kullanınız.** Aletin elle tutulması veya vücudunuzla bastırılması suretiyle alet kayabilir ve kontrolden çıkabilir.

#### ⚠ EK GÜVENLİK VE ÇALIŞMA TALİMATLARI

Aletle çalışırken daima koruyucu gözlük kullanın. Koruyucu iş eldivenleri, sağlam ve kaymaz ayakkabılar ve iş önlüğü kullanmanızı tavsiye ederiz. Aletin koruyucu donanımını mutlaka kullanın.

Sadece keskin planya bıçaklarla ile çaløbön ve hiçbir zaman metaller üzerinde (çivi, vida gibi) planya yapmayın.

Dönmekte olan bıçağın tehlike alanındaki hiçbir şeye dokunmayın! Çalışma sırasında ortaya çıkan toz genellikle sağlığa zararlıdır ve bedeninize temas etmemelidir. Uygun bir koruyucu toz maskesi kullanın Sağlık tehlikelerine neden olan malzemelerin işlenmesi yasaktır (örn. asbest).

Uca yerleştirilen takımın bloke olması halinde lütfen cihazı hemen kapatın! Uca yerleştirilen takım bloke olduğu sürece cihazı tekrar çalıştırmayın; bu sırada yüksek reaksiyon momentine sahip bir geri tepme meydana gelebilir. Uca yerleştirilen takımın neden bloke olduğunu bakın ve bu durumu güvenli uyarılara dikkat ederek gidin.

Olası nedenler şunlar olabilir:

- İşlenen parça içinde takılma
- İşlenen malzemenin delinmesi
- Elektrikli alete aşırı yük binmesi

Ellerinizi çalışmakta olan makinenin içine uzatmayın.

Uca yerleştirilen takım kullanın sırasında işanabilir.

**UYARI!** Yanma tehlikesi

- takım değiştirme sırasında
- aletin yere bırakılması sırasında

Alet çalışır durumda iken talaş ve kırıntıları temizlemeye çalışmayın.

Kullanılmış kartuş aküleri ateşe veya ev çöplerine atmayın. AEG, kartuş akülerin hizmete zarar veremeyecek biçimde taşıyıcı edilmesine olanak sağlayan ayarlar sunar; lütfen bu konuda yetkili satıcınızdan bilgi alın.

Kartuş aküleri metal parça veya eşyalarla birlikte saklamayın (kısa devre tehlikesi).

C18 sistemli kartuş aküleri sadece GBS sistemli şarj cihazları ile şarj edin. Başka sistemli aküleri şarj etmeyin.

Şarj cihazının kartuş aküi yuvasına hiçbir şekilde metal parçalar kaçmamalıdır (kısa devre tehlikesi).

Kartuş aküleri ve şarj cihazını açmayın ve sadece kuru yerlerde saklayın. Neme ve ıslanmaya karşı koruyun.

Aşırı zorlanma veya aşırı ısınma sonucu hasar gören kartuş akülerden batarya sıvısı dışarı akabilir. Batarya sıvısı ile temasa gelen yerleri hemen bol su ve sabunla yıkayın. Batarya sıvısı gözünüze kaçacak olursa en azından 10 dakika yıkayın ve zaman geçirmeden bir hekime başvurun.

**Uyarı!** Bir kısa devreden kaynaklanan yangın, yaralanma veya ürün hasarları tehlikesini önlemek için aleti, güç paketini veya şarj cihazını asla sıvıların içine daldırmayınız ve cihazların ve pillerin içine sıvı girmesini önleyiniz. Tuzlu su, belirli kimyasallar, aşartıcı madde veya aşartıcı madde içeren ürünler gibi korozif veya iletken sıvılar kısa devreye neden olabilir.

#### CE UYGUNLUK BEYANI

Tek sorumlu olarak „Teknik Veriler“ bölümünde tarif edilen ürünün 2011/65/EU (RoHS), 2014/30/EU, 2006/42/EC sayılı direktifin ve aşağıdaki harmonize temel belgelerin bütün önemli hükümlerine uygun olduğunu beyan etmekteyiz:

EN 62841-1:2015  
EN 62841-2-14:2015  
EN 55014-1:2017  
EN 55014-2:2015  
EN IEC 63000:2018

Winnenden, 2019-26-02

*Alexander Krug*

Alexander Krug  
Managing Director

Teknik evrakları hazırlamakla görevlendirilmiştir.

Techtronic Industries GmbH  
Max-Eyth-Straße 10  
71364 Winnenden  
Germany



#### KULLANIM

Bu planya, yüzey ve oluk planyası ile kenar tıraşlama işlerine uygundur. Bu alet sadece belirttiği gibi ve usulüne uygun olarak kullanılabilir.

#### AKÜ

Uzun süre kullanım dışı kalmış kartuş aküleri kullanmadan önce şarj edin.

50°C üzerindeki sıcaklıklar kartuş akünün performansını düşürür. Akünün güneş ışığı veya mekân sıcaklığı altında uzun süre ısınmamasına dikkat edin.

Powerport ve değişken akü bağlantı noktalarını temiz tutun.

Akünün ömrünün mükemmel bir şekilde uzun olması için kullandıktan sonra tamamen doldurulması gerekir.

Ömrünün mümkün olduğu kadar uzun olması için akülerin yüklemeye yapıldıktan sonra dolurma cihazından uzaklaştırılması gerekir.

Akünün 30 günden daha fazla depolanması halinde:

Aküyü takriben 27°C'de kuru olarak depolayın.

Aküyü yüklemeye durumunun takriben % 30 - %50 olarak depolayın.

Aküyü her 6 ay yeniden doldurun.

#### AKÜNÜN AŞIRI YÜKLENMEYE KARŞI KORUNMASI

Akü donanımı, aküyü fazla yüklenmeye karşı koruyan ve uzun ömürlü olmasını garanti eden fazla yüklenmeye karşı bir koruma tertibatı ile teçhiz edilmiştir.

Aşırı fazla bir şekilde kullanılması durumunda akünün elektronik tertibatı makineyi otomatik olarak kapatır. Makinenin tekrar çalıştırılması amacı ile tekrar kapatın ve yeniden çalıştırın. Makine tekrar çalışmazsa, akü donanımı muhtemelen boşalmıştır ve o zaman yeniden şarj edilerek tekrar doldurulması gerekir.

#### LİTYUM İYON PİLLERİN TAŞINMASI

Lityum iyon piller tehlikeli madde taşımaları hakkındaki yasal hükümler tabidir.

Bu piller, bölgesel, ulusal ve uluslararası yönetmeliklere ve hükümlere uyularak taşınmak zorundadır.

• Tüketici bu pilleri herhangi bir özel şart aranmaksızın karayoluyla taşıyabilirler.

• Lityum iyon pillerin nakliye şirketleri tarafından ticari taşımacılığın için tehlikeli madde taşımacılığının hükümleri geçerlidir. Sevki hazırlığı ve taşıma sadece ilgili eğitilmiş görmüş personel tarafından gerçekleştirilebilir. Bütün süreç uzmanca bir refakatçilik altında gerçekleştirilmelidir zorundadır.

Pillerin taşınması sırasında aşağıdaki hususlara dikkat edilmesi gerekmektedir:

• Kısa devre oluşmasını önlemek için kontaktların korunmuş ve izole edilmiş olmasını sağlayınız.

• Pili paketinin ambalajı içinde kaymamasına dikkat ediniz.

• Hasarlı veya akım pillerin taşınması yasaktır.

Ayrıca bilgiler için nakliye şirketinize başvurunuz.

#### KULLANIM

Dönmekte olan bıçağın tehlike alanındaki hiçbir şeye dokunmayın! Aletin ön levhasına ip parçası üzerine dayayın ve planya bıçakları ip parçasına temas etmeden aleti çaløbötörün. Daha sonra aleti düzleni biçimde ip parçası üzerinde hareket ettirin.

Pandüli koruma kapada sadece ip parçası veya kolla hareket etmelidir.

Öndeki dayama levhasından V oluğu kenarların güvenli biçimde tıraşlanmasına olanak sağlar.

Talaş kırma oluklu planya bıçakları kullanırken daima farklı oluk sayılı bıçak çifti kullanın.

#### BAKIM

Aletin havalandırma aralıklarını daima temiz tutun.

Reçine ile kaplanan talaş atma yerini terpeninle doydurulmuş bir bezle temizleyin.

Sadece AEG aksesuarını ve yedek parçalarını kullanın. Değiştirilmesi açıklanmamış olan parçaları bir AEG müşteri servisinde değiştirin (Garanti broşürüne ve müşteri servisi adreslerine dikkat edin).

Gerektiğinde cihazın ayrıntılı çizimini, güç levhası üzerindeki makine modelini ve altı haneli rakamı belirterek müşteri servisinden veya doğrudan Techtronic Industries GmbH, Max-Eyth-Straße 10, 71364 Winnenden, Germany adresinden isteyebilirsiniz.

#### SEMBOLLER

	DIKKAT! UYARI! TEHLİKE!
	Aletin kendinde bir çalışma yapmadan önce kartuş aküyü çıkarın.
	Lütfen aleti çalıştırmadan önce kullanma kılavuzunu dikkatli biçimde okuyun.
	Koruyucu eldivenlerinizi takınız!
	Koruyucu kulaklık kullanın!
	Aletle çalışırken daima koruyucu gözlük kullanın.
	Aksesuar - Teslimat kapsamında değildir, önerilen tamamlamalar aksesuar programında.
	Elektrikli cihazların, pillerin/akülerin evsel atıklarla birlikte bertaraf edilmesi yasaktır. Elektrikli cihazlar ve aküler ayrılarak biriktirilmeli ve çevreye zarar vermeden bertaraf edilmeleri için bir atık değerlendirme tesisine götürülmelidir. Yerel makamlara veya satıcınıza geri dönüşüm tesisleri ve atık toplama merkezlerinin yerlerini danışınız.
$n_n$	Boşta ki devir sayısı
$v$	Voltaj
	Doğru akım
	Dönme yönü
	Avrupa uyumluluk işareti
	Ukrayna uyumluluk işareti
	Avrasya uyumluluk işareti

TECHNICKÁ DATA	AKU HOBLIK	BHO18BL
Výrobní číslo.....	4743 18 01...	..000001-999999
Napětí výměnného akumulátoru.....	18 V	
Šířka hoblování.....	82 mm	
Hloubka řezu max.....	2,0 mm	
Hloubka drážky.....	12,5 mm	
Volnoběžné otáčky.....	14300 min <sup>-1</sup>	
Hmotnost podle prováděcího předpisu EPTA 01/2014 (1,5 Ah - 9,0 Ah).....	3,1 - 3,8 kg	
Doporučená okolní teplota při práci.....	-18...+50 °C	
Doporučené typy akumulátorů.....	L 1815R ... L1890RHD	
Doporučené nabíječky.....	BL1418	

#### Informace o hluku / vibracích

Naměřené hodnoty odpovídají EN 62841.

V třídě A posuzovaná hladina hluku přístroje činí typicky:

Hladina akustického tlaku (Kolísavost K=3dB(A)) ..... 89,5 dB (A)

Hladina akustického výkonu (Kolísavost K=3dB(A)) ..... 100,5 dB (A)

#### Používejte chrániče sluchu !

Celkové hodnoty vibrací (vektorový součet tří směrů) zjištěné ve smyslu EN 62841.

Hodnota vibračních emisí a<sub>v</sub> ..... 3,4 m/s<sup>2</sup>

Kolísavost K= ..... 1,5 m/s<sup>2</sup>

#### VAROVÁNÍ!

Hladina vibrací a emisí hluku uvedená v tomto informačním listu byla měřena v souladu se standardizovanou zkouškou uvedenou v normě EN 62841 a může být použita ke srovnání jednoho nástroje s jiným. Může být použita k předběžnému posouzení expozice.

Deklarovaná úroveň vibrací a emisí hluku představuje hlavní použití nástroje. Pokud se však nástroj používá pro různé aplikace, s různými příslušenstvími nebo s nedostatečnou údržbou, mohou se vibrace a emise hluku lišit. To může výrazně zvýšit úroveň expozice v průběhu celé pracovní doby.

Odhad úrovně expozice vibracím a hluku by měl také vzít v úvahu dobu, kdy je nástroj vypnutý nebo když běží, ale ve skutečnosti neprovádí úlohu. To může výrazně snížit úroveň expozice v průběhu celé pracovní doby.

Identifikujte dodatečná bezpečnostní opatření k ochraně pracovníka obsluhy před účinky vibrací a/nebo hluku, například: údržba nástroje a příslušenství, udržování rukou v teple, organizace pracovních schémat.

**VAROVÁNÍ! Přečtěte si všechna výstražná upozornění, pokyny,** zobrazená a specifikace pro toto elektrické nářadí. Zanedbání při dodržování výstražných upozornění a pokynů uvedených v následujícím textu může mít za následek zásah elektrickým proudem, způsobit požár a/nebo těžké poranění.

#### Všechna varovná upozornění a pokyny do budoucna uschovejte.

#### BEZPEČNOSTNÍ POKYNY PRO HOBLÍKY

**Počkejte, než se děličí zařízení zastaví, teprve poté odložte nástroj.** Otevřené, otáčející se děličí zařízení by mohlo ovlivňovat povrch a mohl by eventuelně vést ke ztrátě kontroly a k vážným zraněním!

**K upevnění obráběného dílu na stabilním podkladu použijte šroubovou svěrku nebo jinou praktickou pomůcku.** Přidržením obráběného dílu rukou nebo jeho přilačováním tělem se díl může vysmeknout a tím může dojít ke ztrátě kontroly.

#### DALŠÍ BEZPEČNOSTNÍ A PRACOVNÍ POKYNY

Při práci se strojem neustále nosit ochranné brýle. Doporučuje se používat ochranné rukavice, pevnou protiskluzovou obuv a zástěru.

Bezpodmínečně používat ochranná zařízení přímočaré pily.

Pracujte jen s dobře nabroušenými noži a vyvarujte se hoblování materiálů obsahujících kovové části (hřebíky, vruty).

Nesahat do nebezpečné zóny běžícího stroje.

Prach vznikající při práci s tímto nářadím může být zdraví škodlivý. Proto by neměl přijít do styku s tělem. Používejte při práci vhodnou ochranu masky.

Nesmějí se opracovávat materiály, které mohou způsobit ohrožení zdraví (např. azbest)

Při zablokování nasazeného nástroje přístroj okamžitě vypněte! Přístroj nezapínajte, pokud je nasazený nástroj zablokovaný; mohl by při tom vzniknout zpětný náraz s vysokým reakčním momentem. Zjistíte příčinu zablokování nasazeného nástroje a odstraňte ji při dodržení bezpečnostních pokynů.

Možnými příčinami mohou být:

- vzpříčení v opracovávaném obrobku
- přelomení opracovávaného materiálu
- přetížení elektrického přístroje

Nezasahujte do běžícího stroje.

Nasazený nástroj se může během používání rozpálit.

**VAROVÁNÍ!** Nebezpečí popálení.

- při výměně nástroje
- při odkládání přístroje

Pokud stroj běží, nesmí být odstraňovány třísky nebo odštěpky.

Použité nevyhazujte do domovního odpadu nebo do ohně. AEG nabízí ekologickou likvidaci starých článků, ptejte se u vašeho obchodníka s nářadím.

Náhradní akumulátor neskladujte s kovovými předměty, nebezpečí zkratu.

Akumulátor systému GBS nabíjejte pouze nabíječkou systému GBS. Nenabíjejte akumulátory jiných systémů.

V nabíjecím postu nabíječky neskladujte kovové předměty, nebezpečí zkratu.

Náhradní akumulátory ani nabíječku neotvírejte, skladujte je v suchu, chraňte před vlhkem.

Při extrémní zátěži či vysoké teplotě může z akumulátoru vytékat kapalina. Při zasažení touto kapalinou okamžitě zasažená místa omyjte vodou a mýdlem. Při zasažení očí okamžitě důkladně po dobu alespoň 10min. omyvat a neodkládně vyhledat lékaře.

**Varování!** Abyste zabránili nebezpečí požáru způsobeného zkratem, poraněním nebo poškozením výrobku, nepoužívejte nářadí, výměnnou baterii nebo nabíječku do kapalin a zajistěte, aby do zařízení a akumulátorů nevnikly žádné tekutiny. Korodující nebo vodivé kapaliny, jako je slaná voda, určité chemikálie a bělicí prostředky nebo výrobky, které obsahují bělidlo, mohou způsobit zkrat.

#### CE-PROHLÁŠENÍ O SHODĚ

Výhradně na vlastní zodpovědnost prohlašujeme, že se výrobek popsaný v „Technických údajích“ shoduje se všemi relevantními předpisy směrnice 2011/65/EU (RoHS), 2014/30/EU, 2006/42/ES a s následujícími harmonizovanými normativními dokumenty:

EN 62841-1:2015  
EN 62841-2-14:2015  
EN 55014-1:2017  
EN 55014-2:2015  
EN IEC 63000:2018

Winnenden, 2019-26-02

*Alexander Krug*

Alexander Krug  
Managing Director

Zplnomocněn k sestavování technických podkladů.

Techtronic Industries GmbH  
Max-Eyth-Straße 10  
71364 Winnenden  
Germany



#### OBLAST VYUŽITÍ

Hoblík je vhodný k hoblování ploch, drážek a ke srážení hran.

Toto zařízení lze používat jen pro uvedený účel.

#### AKUMULÁTORY

Déle nepoužívané akumulátory je nutné před použitím znovu nabít. Teplota přes 50°C snižuje výkon akumulátoru. Chraňte před dlouhým přehříváním na slunci či u topení.

Připojovací kontakty na powerport a výměnném akumulátoru udržujte čisté.

Pro optimální životnost je nutné akumulátory po použití plně dobit.

K zabezpečení dlouhé životnosti by se akumulátory měly po nabíti vyjmout z nabíječky.

Při skladování akumulátoru po dobu delší než 30 dní:

Skladujte akumulátor v suchu při cca 27°C.

Skladujte akumulátor při cca 30%-50% nabíjecí kapacity.

Opakujte nabíjení akumulátoru každých 6 měsíců.

#### OCHRANA PROTI PŘETÍŽENÍ AKUMULÁTORU

Akumulátorová sada je vybavena ochranou proti přetížení, která ji chrání a zaručuje její dlouhou životnost.

Při extrémním zatížení elektronika akumulátoru elektrický nástroj vypne.

K pokračování v práci nástroj vypněte a opět zapněte. V případě, že se motor nástroje ani potom nerozběhne, je akumulátorová sada pravděpodobně vybitá a musí se v nabíječce opět nabít.

#### PŘEPRAVA LITHIUM-IONTOVÝCH BATERIÍ

Lithium-iontové baterie spadají podle zákonných ustanovení pod přepravu nebezpečného nákladu.

Přeprava těchto baterií se musí realizovat s dodržováním lokálních, vnitrostátních a mezinárodních předpisů a ustanovení.

- Spotřebitelé mohou tyto baterie bez problémů přepravovat po komunikacích.

- Komerční přeprava lithium-iontových baterií prostřednictvím přepravních firem podléhá ustanovením o přepravě nebezpečného nákladu. Přípravu k vyexpedování a samotnou přepravu smíjí vykonávat jen příslušně vyškolené osoby. Na celý proces se musí odborně dohlížet.

Při přepravě baterií je třeba dodržovat následující:

- Zajistěte, aby kontakty byly chráněné a izolované, aby se zamezilo zkratům.

- Dávejte pozor na to, aby se svazek baterií v rámci balení nemohl sesmeknout.

- Poškozené a vyteklé baterie se nesmějí přepravovat.

Ohledně dalších informací se obraťte na vaši přepravní firmu.

#### MANIPULACE

Nesahat do nebezpečné zóny běžícího stroje.

Položte hoblík přední částí stolu na obrobek a zapněte, potom teprve posunujte vpřed do záběru nožů a plynule vedte po obrobku.

Ochranný kyvný kryt se smí ovládat pouze pohybem hoblíku po obrobku či k tomu určenou ovládací pákou.

Drážka tvaru „V“ v přední části stolu umožňuje bezpečné srážení hran.

Při použití hoblovacích nožů tvaru na odlamování třísky používat páry nožů s rozdílným počtem drážek.

#### ÚDRŽBA

Větrací štěrbinu nářadí udržujeme stále čisté.

Je-li otvor pro odvod třísek znečištěn smolou, vyčistit látkou napuštěnou terpentýnem.

Používejte výhradně náhradní díly a příslušenství AEG. Díly, jejichž výměna nebyla popsána, nechávejte vyměnit v odborném servisu AEG. (Viz záruční list.)

V případě potřeby si můžete v servisním centru pro zákazníky nebo přímo od firmy Techtronic Industries GmbH, Max-Eyth-Straße 10, 71364 Winnenden, Německo vyžádat schématický náčrt jednotlivých dílů přístroje, když uvedete typ přístroje a šestimístné číslo na výkonovém štítku.

#### SYMBOLY

	POZOR! VAROVÁNÍ! NEBEZPEČÍ!
	Před zahájením veškerých prací na vrtacím šroubováků vyjmout výměnný akumulátor.
	Před spuštěním stroje si pečlivě přečtěte návod k používání.
	Používejte ochranné rukavice!
	Používejte chrániče sluchu !
	Při práci se strojem neustále nosit ochranné brýle.
	Příslušenství není součástí dodávky, viz program příslušenství.
	Elektrická zařízení, baterie/akumulátory se nesmí likvidovat společně s odpadem z domácností. Elektrická zařízení, baterie/akumulátory je třeba sbírat odděleně a odevzdat je v recyklačním podniku na ekologickou likvidaci. Na místních úřadech nebo u vašeho specializovaného prodejce se informujte na recyklační podniky a sběrné dvory.
$n$	Volnoběžné otáčky
$V$	Napětí
	Stejnoseměrný proud
	Směr otáčení
	Značka shody v Evropě
	Značka shody na Ukrajině
	Značka shody pro oblast Eurasie



TECHNICKÉ ÚDAJE	AKUMULÁTOROVÝ HOBLÍK	BHO18BL
Výrobné číslo.....	4743 18 01...	...000001-999999
Napätie výmenného akumulátora.....	18 V	
Šírka hoblíka.....	82 mm	
Hĺbka záberu max.....	2,0 mm	
Hĺbka drážky.....	12,5 mm	
Otáčky naprázdno.....	14300 min <sup>-1</sup>	
Hmotnosť podľa vykonávacieho predpisu EPTA 01/2014 (1,5 Ah - 9,0 Ah).....	3,1 - 3,8 kg	
Odporúčaná okolitá teplota pri práci.....	-18...+50 °C	
Odporúčané typy akupaku.....	L 1815R ... L 1890RHD	
Odporúčané nabíjačky.....	BL1418	

#### Informácia o hluku / vibráciách

Namerané hodnoty určené v súlade s EN 62841.

V triede A posudzovaná hladina hluku prístroja číni typicky:

Hladina akustického tlaku (Kolisavosť K=3dB(A))..... 89,5 dB (A)

Hladina akustického výkonu (Kolisavosť K=3dB(A))..... 100,5 dB (A)

#### Používajte ochranu sluchu!

Celkové hodnoty vibrácií (vektorový súčet troch smerov) zistené v zmysle

EN 62841.

Hodnota vibračných emisií a<sub>h</sub>..... 3,4 m/s<sup>2</sup>

Kolisavosť K=..... 1,5 m/s<sup>2</sup>

#### POZOR!

Úroveň vibrácií a emisií hluku uvedená v tomto informačnom liste bola meraná v súlade so štandardizovanou skúškou uvedenou v EN 62841 a môže sa použiť na porovnanie jedného nástroja s druhým. Môže sa použiť v predbežnom posúdení expozície.

Deklarovaná úroveň vibrácií a emisií hluku predstavuje hlavné aplikácie nástroja. Ak sa však nástroj používa pre rôzne aplikácie, s rôznym príslušenstvom alebo s nedostatočnou údržbou, môžu sa vibrácie a emisie hluku líšiť. To môže výrazne zvýšiť úroveň expozície počas celej pracovnej doby.

Odhad úrovne expozície vibráciám a hluku by mal tiež brať do úvahy časy, keď je nástroj vypnutý alebo keď beží, ale v skutočnosti nevykonáva prácu. To môže výrazne znížiť úroveň expozície počas celej pracovnej doby.

Identifikujte dodatočné bezpečnostné opatrenia na ochranu pracovníka obsluhy pred účinkami vibrácií a/alebo hluku, ako je: údržba nástroja a príslušenstva, udržanie teplých rúk, organizácia pracovných schém.

**VAROVANIE!** Prečítajte si všetky výstražné upozornenia, pokyny, znázornenia a špecifikácie pre toto elektrické náradie. Zanedbanie pri dodržiavaní výstražných upozornení a pokynov uvedených v nasledujúcom texte môže mať za následok zásah elektrickým prúdom, spôsobiť požiar a/alebo ťažké poranenie.

**Tieto výstražné upozornenia a bezpečnostné pokyny starostlivo uschovajte na budúce použitie.**

#### BEZPEČNOSTNÉ POKYNY PRE HOBLÍKY

**Skôr ako odložíte náradie počkajte, kým sa deliace zariadenie zastaví.** Otvorene ležiace, otáčajúce sa deliace zariadenie by mohlo mať účinky na povrch a mohlo by viesť k prípadnej strate kontroly a ťažkým poraneniam!

**K upevneniu obrábaného dielu na stabilnom podklade použite skrutkovú zvierku alebo inú praktickú pomôcku.** Pridržívaním obrábaného dielu rukou alebo jeho pritlačovaním telom sa dielec môže vyšmyknúť a tým môže dôjsť k strate kontroly.

#### ĎALŠIE BEZPEČNOSTNÉ A PRACOVNÉ POKYNY

Pri práci so strojom vždy noste ochranné okuliare. Odporúčame ochranné rukavice, pevnú protišmykovú obuv a zásteru.

Ochranné zariadenie stroja bezpodmienečne používať

Hoblovať len s ostrými nožmi a nikdy nie na kove (klince, šrofy)

Nesiahať do nebezpečnej oblasti bežiacich nožov!

Prach vznikajúci pri práci môže byť škodlivý zdraviu. Pri práci nosiť vhodnú ochrannú masku, aby sa nedostal do ľudského organizmu.

Nesmú sa opracovávať materiály, ktoré môžu spôsobiť ohrozenie zdravia (napr. azbest)

Pri zablokovaní nasadeného nástroja prístroj okamžite vypnite! Prístroj nezapínajte, pokiaľ je nasadený nástroj zablokovaný; mohol by pri tom vzniknúť spätný náraz s vysokým reakčným momentom. Príčinu zablokovania nasadeného nástroja zistite a odstráňte so zohľadnením bezpečnostných pokynov.

Možnými príčinami môžu byť:

- spriečenie v opracovávanom obrobru
- prelomenie opracovávaného materiálu
- preťaženie elektrického prístroja

Nezasahujte do bežiaceho stroja.

Nasadený nástroj sa počas používania môže rozhorúčiť.

**POZOR!** Nebezpečenstvo popálenia

• pri výmene nástroja

- pri odkladaní prístroja

Triesky alebo úlomky sa nesmú odstraňovať za chodu stroja.

Opotrebované výmenné akumulátory nezahadzujte do ohňa alebo medzi domový odpad. AEG ponúka likvidáciu starých výmenných akumulátorov, ktorá je v súlade s ochranou -ivotného prostredia; informujte sa u Vášho predajcu.

Výmenné akumulátory neskladovať spolu s kovovými predmetmi (nebezpečenstvo skratu).

Výmenné akumulátory systému GBS nabíjať len nabíjacími zariadeniami systému GBS. Akumulátory iných systémov týmto zariadením nenabíjať.

Do zasúvacieho otvoru pre výmenné akumulátory na nabíjacom zariadení, sa nesmú dostať žiadne kovové predmety (nebezpečenstvo skratu).

Výmenné akumulátory a nabíjacie zariadenia neotvárať a skladovať len v suchých priestoroch. Chrániť pred vlhkosťou.

Pri extrémnych záťažach alebo extrémnych teplotách môže dôjsť k vytekaniu batérovej tekutiny z poškodeného výmenného akumulátora.

Ak dôjde ku kontaktu pokožky s roztokom, postihnuté miesto umyť vodou a mydlom. Ak sa roztok dostane do očí, okamžite ich dôkladne vypláchnuť po dobu min. 10 min a bezodkladne vyhľadať lekára.

**Varovanie!** Aby ste zabránili nebezpečenstvu požiaru spôsobeného skratom, poraneniam alebo poškodeniam výrobku, neponárajte náradie, výmennú batériu alebo nabíjačku do kvapalín a postarajte sa o to, aby do zariadení a akumulátorov nevnikli žiadne tekutiny. Korodujúce alebo vodivé kvapaliny, ako je slaná voda, určité chemikálie a bieliace prostriedky alebo výrobky, ktoré obsahujú bieliadlo, môžu spôsobiť skrat.

**CE - VYHLÁSENIE KONFORMITY**

Výhradne na vlastnú zodpovednosť vyhlasujeme, že výrobok popísaný v „Technických údajoch“ sa zhoduje so všetkými relevantnými predpismi smernice 2011/65/EU (RoHS), 2014/30/EU, 2006/42/EC a nasledujúcimi harmonizujúcimi normatívnymi dokumentmi:

EN 62841-1:2015

EN 62841-2-14:2015

EN 55014-1:2017

EN 55014-2:2015

EN IEC 63000:2018

Winnenden, 2019-26-02

Alexander Krug  
Managing Director

Splnomocnený zostaví technické podklady.

Technicon Industries GmbH

Max-Eyth-Straße 10

71364 Winnenden

Germany



#### POUŽITIE PODĽA PREDPISOV

Hoblík je vhodný na hobľovanie plôch a žliabkov a na zrážanie hrán.

Tento prístroj sa smie používať len v súlade s uvedenými predpismi.

#### AKUMULÁTORY

Dlhší čas nepoužívané výmenné akumulátory pred použitím dobíť.

Teplota vyššia ako 50 °C znižuje výkon výmenného akumulátora.

Zabráňte dlhšiemu ohriatiu slnkom alebo kúrením.

Pripojovacie kontakty na powerporte a výmennom akumulátore udržiavajte čisté.

Pre optimálnu životnosť je nutné akumulátory po použití plne dobíť.

K zabezpečeniu dlhej životnosti by sa akumulátory mali po nabití vybrať z nabíjačky.

Pri skladovaní akumulátora po dobu dlhšiu než 30 dní:

Skladujte akumulátor v suchu pri cca 27 °C.

Skladujte akumulátor pri cca 30%-50% nabíjacej kapacity.

Opakujte nabíjanie akumulátora každých 6 mesiacov.

#### OCHRANA PROTI PREŤAŽENIU AKUMULÁTORA

Akumulátorová sada je vybavená ochranou proti preťaženiu, ktorá ju chráni a zaručuje jej dlhú životnosť.

Pri extrémnom zaťažení elektronika akumulátora elektrický nástroj vypne. K pokračovaniu v práci nástroj vypnite a opäť zapnite. V prípade, že sa motor nástroja ani potom nerozbehne, je akumulátorová sada pravdepodobne vybitá a musí sa v nabíjačke opäť nabiť.

#### PREPRAVA LÍTIOVO-IÓNOVÝCH BATÉRIÍ

Lítiovo-iónové batérie pod>a zákonných ustanovení spadajú pod prepravu nebezpečného nákladu.

Preprava týchto batérií sa musí realizovať s dodržiavaním lokálnych, vnútroštátnych a medzinárodných predpisov a ustanovení.

• Spotrebiteľia môžu tieto batérie bez problémov prepravovať po cestách.

• Komerčná preprava lítiovo-iónových batérií prostredníctvom špeciálnych firiem podlieha ustanoveniam o preprave nebezpečného nákladu. Prípravu k vyexpedovaniu a samotnú prepravu smú vykonávať iba adekvátne vyškolené osoby. Na celý proces sa musí odborné dohliadať.

• Pri preprave batérií treba dodržiavať nasledovné:

• Zabezpečte, aby boli kontakty chránené a izolované, aby sa zamedžilo skratom.

• Dávajte pozor na to, aby sa zväzok batérií v rámci balenia nemohol zošmyknúť.

• Poškodené a vytečené batérie sa nesmú prepravovať.

Kvôli ďalším informáciám sa obráťte na vašu špeciálnu firmu.

#### OVLÁDANIE

Nesiahať do nebezpečnej oblasti bežiacich nožov!

Stroj položiť prednou dosadacou plochou na obrobruk a zapnúť skôr ako sa hoblovací nôž dotkne obrobrku a potom rovnomerným pohybom viesť po obrobru.

Výkvný ochranný kryt sa smie snímať len pomocou obrobrku alebo rukoväte.

V-drážka v prednej dosadacej ploche umožňuje bezpečné zrážanie hrán.

Pri hobľovacích nožoch s drážkami na drevenie triesok používať vždy páre nožov s rôznym počtom drážok.

#### ÚDRZBA

Vetracie otvory udržiavať stále v čistote.

Živicou zanesený otvor na odvádzanie triesok očistiť handrou namočenou v náhrade terpentínu.

Používať len AEG príslušenstvo a náhradné diely. Súčiastky bez návodu na výmenu treba dat vymeniť v jednom z AEG zákaznických centier (viď brožúru Záruka/Adresy zákaznických centier).

V prípade potreby si môžete v servisnom centre pre zákazníkov alebo priamo od firmy Technicon Industries GmbH, Max-Eyth-Straße 10, 71364 Winnenden, Nemecko, vyžiadať schematický nákras jednotlivých dielov prístroja pri uvedení typu prístroja a šesťmiestneho čísla na výkonovom štítku.

#### SYMBOLY



POZOR! NEBEZPEČENSTVO!



Pred každou prácou na stroji výmenný akumulátor vytiahnuť.



Pred prvým použitím prístroja si pozorne prečítajte návod na obsluhu.



Používajte ochranné rukavice!



Používajte ochranu sluchu!



Pri práci so strojom vždy noste ochranné okuliare.



Príslušenstvo - nie je súčasťou štandardnej výbavy, odporúčané doplnenie z programu príslušenstva.



Elektrické zariadenia, batérie/akumulátory sa nesmú likvidovať spolu s odpadom z domácností. Elektrické zariadenia, batérie/akumulátory treba zbierať oddelene a odovzdať ich v recyklačnom podniku na ekologickú likvidáciu.

Na miestnych úradoch alebo u vášho špecializovaného predajcu sa spýtajte na recyklačné podniky a zberné dvory.



Otáčky naprázdno



Napätie



Jednosmerný prúd



Značka zhody v Európe



Značka zhody na Ukrajine



Značka zhody pre oblasť Eurázie

DANE TECHNICZNE	STRUG AKUMULATOROWY	BHO18BL
Numer produkcyjny .....	4743 18 01 .....	000001-999999
Napięcie baterii akumulatorowej.....	18 V	
Szerokość strugania.....	82 mm	
Głębokość strugania maks. ....	2,0 mm	
Głębokość wręgu .....	12,5 mm	
Prędkość bez obciążenia.....	14300 min <sup>-1</sup>	
CieŜar wg procedury EPTA 01/2014 (1,5 Ah - 9,0 Ah) .....	3,1 - 3,8 kg	
Zalecana temperatura otoczenia w trakcie pracy.....	-18, +50 °C	
Zalecane rodzaje akumulatora .....	L 1815R ... L1890RHD	
Zalecane ładowarki .....	BL1418	

#### Informacja dotycząca szumów/wibracji

Zmierzone wartości wyznaczone zgodnie z normą EN 62841.

Poziom szumów urządzenia oszacowany jako A wynosi typowo:

Poziom ciśnienia akustycznego (Niepewność K=3dB(A))..... 89,5 dB (A)

Poziom mocy akustycznej (Niepewność K=3dB(A))..... 100,5 dB (A)

#### Należy używać ochraniaczy uszu!

Wartości łączne drgań (suma wektorowa trzech kierunków) wyznaczone zgodnie z normą EN 62841.

Wartość emisji drgań a<sub>h</sub>..... 3,4 m/s<sup>2</sup>

Niepewność K=..... 1,5 m/s<sup>2</sup>

#### OSTRZEŻENIE!

Poziom drgań i emisji hałasu podany w niniejszej instrukcji zmierzono zgodnie ze standardową metodą badania wg EN 62841 i można ją wykorzystać do porównania narzędzia z innym narzędziem. Można go wykorzystywać przy wstępnej ocenie narażenia.

Deklarowany poziom emisji drgań i hałasu reprezentuje główne zastosowania narzędzia. Jeśli jednak narzędzie jest używane do różnych zastosowań, z różnymi akcesoriami lub w przypadku nieprawidłowej konserwacji, emisja drgań i hałasu może się różnić. Może to znacznie zwiększyć poziom narażenia w całym okresie eksploatacji narzędzia.

Oszacowanie poziomu narażenia na wibracje i hałas powinno również uwzględniać czasy, kiedy narzędzie jest wyłączone lub kiedy jest włączone, ale nie pracuje. Może to znacznie obniżyć poziom ekspozycji w całym okresie eksploatacji narzędzia.

Należy zidentyfikować dodatkowe środki bezpieczeństwa w celu ochrony operatora przed skutkami wibracji i/lub hałasu, takie jak: utrzymywanie narzędzia i akcesoriów w niedogannym stanie, utrzymywanie ciepła rąk, organizacja pracy.

**▲ OSTRZEŻENIE! Należy przeczytać wszystkie wskazówki bezpieczeństwa, instrukcje, opisy i specyfikacje dotyczące tego elektronarzędzia.** Zaniedbania w przestrzeganiu poniższych wskazówek mogą spowodować porażenie prądem, pożar i/lub ciężkie obrażenia ciała.

**Należy starannie przechowywać wszystkie przepisy i wskazówki bezpieczeństwa dla dalszego zastosowania.**

#### ▲ WSKAZÓWKI DOTYCZĄCE BEZPIECZEŃSTWA DLA STRUGÓW

Przed odłożeniem elektronarzędzia należy odczekać do całkowitego zatrzymania wału nożowego. Odsłonięty wał nożowy mógłby zaczeplić o powierzchnię, spowodować utratę kontroli nad narzędziem i doprowadzić do ciężkich obrażeń

Użyć śrubowego ścisku stołarskiego lub innego praktycznego przyrządu, aby zamocować obrabiany przedmiot do stabilnej podstawy. Na skutek trzymania obrabianego przedmiotu w ręce lub dociskania go własnym ciałem obrabiany przedmiot może się wysunąć, co może prowadzić do utraty kontroli nad nim.

#### ▲ DODATKOWE WSKAZÓWKI BEZPIECZEŃSTWA I INSTRUKCJE ROBOCZE

Podczas pracy należy zawsze nosić okulary ochronne. Zalecane jest także noszenie rękawic, mocnego, nie ślizgającego się obuwia oraz ubrania roboczego.

Zawsze stosować osłony ochronne na elektronarzędziu.

Używać tylko zaostzonych noży i nigdy nie obrabiać metalu (gwoździ, śrub)

W żadnym wypadku nie zbliżać rąk do niebezpiecznego obszaru struga podczas pracy elektronarzędzia

Kurz powstający przy pracy z tym elektronarzędziem może być szkodliwy dla zdrowia, w związku z tym nie powinien dotrzeć do ciała. Nosić odpowiednią maskę przeciwpyłową.

Nie wolno obrabiać materiałów, które mogą być przyczyną zagrożenia zdrowia (na przykład azbestu).

W przypadku zablokowania narzędzia nasazanego należy natychmiast wyłączyć urządzenie! Nie należy ponownie włączyć urządzenia tak długo, jak długo narzędzie nasadzone jest zablokowane; przy tym mógłby powstać odrzut zwrotny o dużym momencie reakcyjnym. Należy wykryć i usunąć przyczynę zablokowania narzędzia nasazanego uwzględniając wskazówki dotyczące bezpieczeństwa.

Możliwymi przyczynami tego mogą być:

- Skośne ustawienie się w poddawanym obróbcie przedmiocie obrabianym
- Przerwanie materiału poddawanego obróbcie
- Przeciążenie narzędzia elektrycznego

Nie należy sięgać do wnętrza maszyny będącej w ruchu.

Narzędzie nasadzone może w trakcie użytkowania stać się gorące.

**OSTRZEŻENIE!** Niebezpieczeństwo oparzenia się

- przy wymianie narzędzia
- przy odstawianiu urządzenia

Podczas pracy elektronarzędzia nie wolno usuwać trocin ani drzazg.

Zużytych akumulatorów nie wolno wrzucać do ognia ani traktować jako odpadów domowych. AEG oferuje ekologiczną utylizację zużytych akumulatorów.

Nie przechowywać akumulatorów wraz z przedmiotami metalowymi (niebezpieczeństwo zwarcia).

Akumulatory Systemu GBS należy ładować wyłącznie przy pomocy ładowarek Systemu GBS. Nie ładować przy pomocy tych ładowarek akumulatorów innych systemów.

Do ładowarki nie wolno wkładać żadnych przedmiotów metalowych (niebezpieczeństwo zwarcia).

Nie otwierać wkładek akumulatorowych i ładowarek. Przechowywać w suchych pomieszczeniach. Chronić przed wilgocią.

W skrajnych warunkach temperaturowych lub przy bardzo dużym obciążeniu może dochodzić do wycieku kwasu akumulatorowego z uszkodzonych baterii akumulatorowych. W przypadku kontaktu z kwasem akumulatorowym należy natychmiast przemyć miejsce kontaktu wodą z mydłem. W przypadku kontaktu z oczami należy dokładnie przepłukiwać oczy przynajmniej przez 10 minut i zwrócić się natychmiast o pomoc medyczną.

**Ostrzeżenie!** Aby uniknąć niebezpieczeństwa pożaru, obrażeń lub uszkodzeń produktu na skutek zwarcia, nie wolno zanurzać narzędzia, akumulatora wymiennego ani ładowarki w cieczach i należy zatroszczyć się o to, aby do urządzeń i akumulatorów nie dostały się żadne ciecze. Zwarcie spowodować mogą korodujące lub przewodzące ciecze, takie jak woda morską, określone chemikalia i wybielacze lub produkty zawierające wybielacze.

#### DEKLARACJA ZGODNOŚCI CE

Oświadczamy na naszą wyłączną odpowiedzialność, że produkt opisany w punkcie „Dane techniczne” jest zgodny ze wszystkimi istotnymi przepisami Dyrektywy 2011/65/EU (RoHS), 2014/30/EU, 2006/42/WE oraz z następującymi zharmonizowanymi dokumentami normatywnymi:

EN 62841-1:2015

EN 62841-2-14:2015

EN 55014-1:2017

EN 55014-2:2015

EN IEC 63000:2018

Winnenden, 2019-26-02



Alexander Krug

Managing Director

Upełnomocniony do zestawienia danych technicznych

Technronic Industries GmbH

Max-Eyth-Straße 10

71364 Winnenden

Germany



#### WARUNKI UŻYTKOWANIA

Strugarka jest dostosowana do obróbki powierzchni, wręg i ukosowania krawędzi Produkt można użytkować wyłącznie zgodnie z jego normalnym przeznaczeniem.

#### BATERIE AKUMULATOROWE

Akumulatory, które nie były przez dłuższy czas użytkowane, należy przed użyciem naładować.

W temperaturze powyżej 50°C następuje spadek osiągniętych wkładki akumulatorowej. Unikaj długotrwałego wystawienia na oddziaływanie ciepła lub promieni słonecznych (niebezpieczeństwo przegrzania).

Zestyki podłączeniowe na power porcie i na akumulatorze wymiennym utrzymywać w czystości.

Dla zapewnienia optymalnej żywotności akumulatory po użyciu należy naładować do pełnej pojemności.

Dla zapewnienia możliwie długiej żywotności akumulatory należy wyjąć z ładowarki po ich naładowaniu.

W przypadku składowania akumulatorów dłużej aniżeli 30 dni:

Przechowywać je w suchym miejscu w temperaturze ok. 27°C.

Przechowywać je w stanie naładowanym do ok. 30% - 50%.

Ładować je ponownie co 6 miesięcy.

#### ZABEZPIECZENIE PRZECIĄŻENIOWE AKUMULATORA

Pakiet akumulatorowy jest wyposażony w zabezpieczenie przed przeciążeniem, które chroni akumulator przed przeciążeniem i zapewnia jego dużą żywotność.

Przy ekstremalnie silnym narażeniu elektronika akumulatora automatycznie wyłącza maszynę. Aby kontynuować pracę należy wyłączyć i ponownie włączyć maszynę. Jeżeli nie nastąpiły ponowny rozruch maszyny, to możliwe, że pakiet akumulatorowy jest wyladowany i musi zostać ponownie naładowany w ładowarce.

#### TRANSPORT AKUMULATORÓW LITOWO-JONOWYCH

Akumulatory litowo-jonowe podlegają ustawowym przepisom dotyczącym transportu towarów niebezpiecznych.

Transport tych akumulatorów winien odbywać się przy przestrzeganiu lokalnych, krajowych i międzynarodowych rozporządzeń i przepisów.

- Odbiorcom nie wolno transportować tych akumulatorów po drogach ot tak po prostu.

- Komercyjny transport akumulatorów litowo-jonowych przez przedsiębiorstwa spedycyjne podlega przepisom dotyczącym transportu towarów niebezpiecznych. Przygotowania do wysyłki oraz transport mogą być wykonywane wyłącznie przez odpowiednio przeszkolone osoby. Cały proces winien odbywać się pod fachowym nadzorem.

W czasie transportu akumulatorów należy przestrzegać następujących punktów:

- Celem uniknięcia zwarcia należy upewnić się, że zestyki są zabezpieczone i zaizolowane.
  - Zwracać uwagę na to, aby zespół akumulatorów nie mógł się przemieszczać we wnętrzu opakowania.
  - Nie wolno transportować akumulatorów uszkodzonych lub z wyciekającym z elektrolitem.
- Odnosnie dalszych wskazówek należy zwrócić się do swojego przedsiębiorstwa spedycyjnego.

#### ZALECENIA EKSPLOATACYJNE

W żadnym wypadku nie zbliżać rąk do niebezpiecznego obszaru struga podczas pracy elektronarzędzia

Ustawić płytę strugarki na przedmiocie obrabianym, włączyć, zanim noże obrabiarki dotkną półwyrobu a następnie równomiernie przesuwając po przedmiocie

Wahliwa osłonna ochronna może zostać uruchomiona wyłącznie przez przedmiot obrabiany lub strugarkę

Rówek w kształcie V na powierzchni czołowej umożliwiają bezpieczne fazowanie krawędzi

W przypadku stosowania rowkowych ostrzy strugarki należy zawsze stosować dwa ostrza o różnej liczbie rowków.

#### UTRZYMANIE I KONSERWACJA
















Otwory wentylacyjne elektronarzędzia muszą być zawsze drożne.

W przypadku zanieczyszczenia wiórow żywicą usunąć żywicę za pomocą tkaniny nasączonej substancją stanowiącą odpowiednik oleju terpentynowego.

Należy stosować wyłącznie wyposażenie dodatkowe i części zamienne AEG. W przypadku konieczności wymiany części, dla których nie podano opisu, należy skontaktować się z przedstawicielami serwisu AEG (patrz lista punktów obsługi gwarancyjnej/serwisowej).

W razie potrzeby można zamówić rysunek urządzenia w rozłożeniu na części podając typ maszyny oraz sześcioipozycyjny numer na tabliczce znamionowej w Punkcie Obsługi Klienta lub bezpośrednio w firmie Technronic Industries GmbH, Max-Eyth-Straße 10, 71364 Winnenden, Germany.

#### SYMBOLY

	WUAGA! OSTRZEŻENIE NIEBEZPIECZEŃSTWO!
	Przed przystąpieniem do jakichkolwiek prac na elektronarzędziu należy wyjąć wkładkę akumulatorową.
	Przed uruchomieniem elektronarzędzia zapoznać się uważnie z treścią instrukcji.
	Nosić rękawice ochronne!
	Należy używać ochraniaczy uszu!
	Podczas pracy należy zawsze nosić okulary ochronne.
	Wyposażenie dodatkowe dostępne osobno.
	Urządzenia elektryczne, baterie/akumulatory nie mogą być usuwane razem z odpadami pochodzącymi z gospodarstw domowych. Urządzenia elektryczne i akumulatory należy gromadzić oddzielnie i w celu usuwania ich do odpadów zgodnie z wymaganiami środowiska naturalnego oddawać do przedsiębiorstwa utylizacyjnego. Proszę zasięgnąć informacji o centrach recyklingowych i punktach zbiorczych u władz lokalnych lub u wyspecjalizowanego dostawcy.
	Prędkość bez obciążenia
	Napięcie
	Prąd stały
	Kierunek obrotów
	Europejski Certyfikat Zgodności
	Ukraiński Certyfikat Zgodności
	Euroazjatycki Certyfikat Zgodności

MŰSZAKI ADATOK	AKKUMULÁTOROS GYALUGÉP	BHO18BL
Gyártási szám.....	4743 18 01...	.....000001-999999
Akkumulátor feszültség .....	18 V	
Gyalulási mélység .....	.82 mm	
Gyalulási mélység max.....	2,0 mm	
Vájat mélység .....	12,5 mm	
Üresjáratú fordulatszám.....	14300 min <sup>-1</sup>	
Súly a 01/2014 EPTA-eljárás szerint (1,5 Ah - 9,0 Ah).....	3,1 - 3,8 kg	
Ajánlott környezeti hőmérséklet munkavégzésnél.....	-18, +50 °C	
Ajánlott akkutípusok.....	L 1815R ... L1890RHD	
Ajánlott töltőkészülékek.....	BL1418	

### Zaj-Vibráció-információ

A köztölt értékek megfelelnek az EN 62841 szabványnak.

A készülék munkahelyi zajszintje tipikusan:

Hangnyomás szint (K bizonytalanság=3dB(A))..... 89,5 dB (A)

Hangteljesítmény szint (K bizonytalanság=3dB(A))..... 100,5 dB (A)

### Hallásvédő eszköz használata ajánlott!

Összesített rezgésértékek (három irány vektoriális összege) az EN

62841.-nek megfelelően meghatározva.

ah rezgésemisszió érték..... 3,4 m/s<sup>2</sup>

K bizonytalanság..... 1,5 m/s<sup>2</sup>

### FIGYELMEZTETÉS!

Az adatlapon feltüntetett rezgés- és zajkibocsátási szint mérésére az EN 62841 szabványos vizsgálati módszere alapján került sor, és a kapott értékek az egyes szerszámok összehasonlítására használhatók. Az értékek az expozíció előzetes értékelésében használhatók.

A feltüntetett rezgés- és zajkibocsátási szint a szerszám főbb alkalmazásait tükrözi. Mindazonáltal, ha a szerszámot különböző alkalmazásokra, eltérő tartozékokkal használja, illetve a szerszám nincs megfelelően karbantartva, a rezgés- és zajkibocsátási szint eltérő lehet. Ez jelentősen növelheti az expozíciós szintet a teljes munkafolyamat során.

A rezgésnek és zajnak való expozíció becsült szintjét is figyelembe kell venni a szerszám kikapcsolásakor, illetve olyankor, ha a szerszám üzemel, de valójában nem történik vele munkavégzés. Ez jelentősen csökkentheti az expozíciós szintet a teljes munkafolyamat során.

Határozzon meg további biztonsági intézkedéseket, hogy védje a kezelőt a rezgés- és/vagy zajhatásoktól. Ilyen intézkedések pl.: a szerszámok és tartozékok karbantartása, a kéz melegen tartása, munkarend-szervezés.

**▲ FIGYELMEZTETÉS! Olvassa el az elektromos kéziszerszámra vonatkozó összes biztonsági útmutatást, utasítást, ábrát és specifikációt.** A következőkben leírt utasítások betartásának elmulasztása áramütésekhez, tűzhöz és/vagy súlyos testi sérülésekhez vezethet.

**Kérjük a későbbi használatra gondosan őrizze meg ezeket az előírásokat.**

### ▲ GYALUKRA VONATKOZÓ BIZTONSÁGI ÚTMUTATÁSOK

**Várjon, amíg teljesen leáll a gyaluló mechanizmus, mielőtt leteszi a szerszámot.** A nyitott és szabadon forgó gyaluló mechanizmus nyomott hagyhat a felületen, és adott esetben kontrollálatlanul elmozdulhat, és súlyos sérüléseket okozhat!

**A munkadarab stabil aljzathoz rögzítéséhez használjon csavaros szorítókat vagy más praktikus segédesszközöket.** A munkadarab kézzel történő megtartásával vagy tesztel történő ellentartása következtében a munkadarab elcsúszhat, és ez a kontroll elvesztéséhez vezethet.

### ▲ TOVÁBBI BIZTONSÁGI ÉS MUNKAVÉGZÉSI UTASÍTÁSOK

Munkavégzés közben ajánlott védőszemüveget viselni. Védőkesztyű, zárt és csúszásmentes cipő, valamint védőkötény használata szintén javasolt.

A készülék biztonságtechnikai felszereléseit feltétlenül használni kell. Csak éles késsel szabad gyalulni, és kerülni kell a fémtárgyakat (szögek, csavarok).

Soha ne érjen a kések veszélyes zónájába működés közben.

A munka során keletkező por gyakran egészségre káros, ezért ne kerüljön a szervezetbe.

Hordjon e célra alkalmas porvédőmaszkot.

Nem szabad olyan anyagokat megmunkálni, amelyek egészségre veszélyesek (pl. azbeszt).

A betétszerszám elakadásakor azonnal ki kell kapcsolni a készüléket! Addig ne kapcsolja vissza a készüléket, amíg a betétszerszám elakadása fennáll: ennek során nagy ellennyomatékú visszarúgás történhet. Határozza és szüntesse meg a betétszerszám elakadásának okát a biztonsági útmutatások betartása mellett.

Ennek következők lehetnek az okai:

- a szerszám elakad a megmunkálandó munkadarabban
- a megmunkálandó anyag átszakadt
- az elektromos szerszám túlterhelése

Ne nyúljon a járó géphez.

A betétszerszám az alkalmazás során felforrósodhat.

### FIGYELMEZTETÉS! Égési sérülések veszélye

- szerszámcserkor
- a készülék lerakásakor

A munka közben keletkezett forgácsokat, szilánkokat, törmelékét, stb. csak a készülék teljes leállása után szabad a munkaterületről eltávolítani.

A használt akkumulátort ne dobja tűzbe vagy a háztartási szeméttbe.

Tájékozódjon a szakszerű megsemmisítés helyi lehetőségeiről.

Az akkumulátort ne tárolja együtt fém tárgyakkal. (Rövidzárlat veszélye).

Az GBS elvezetésű rendszerhez tartozó akkumulátorokat kizárólag a rendszerhez tartozó töltővel tölts fel. Ne használjon más rendszerbe tartozó töltőt.

Ügyeljen arra, hogy a töltő aknájába ne kerüljön semmilyen fém tárgy, mert ez rövidzárlatot okozhat.

Az akkumulátort, töltőt nem szabad megbontani és kizárólag száraz helyen szabad tárolni. Nedvségtől óvni kell.

Akkumulátor sav folyhat a sérült akkumulátorból extrém terhelés alatt, vagy extrém hő miatt. Ha az akkumulátor sav a bőrére kerül azonnal mossa meg szappanos vízzel. Szembe kerülés esetén folyóvíz alatt tartsa a szemét minimum 10 percig és azonnal forduljon orvoshoz.

**Figyelmeztetés!** A rövidzárlat általi tűz, sérülések vagy termékkárosodások veszélye elkerülésére ne merítse a szerszámot, a cserélhető akkut vagy a töltőkészüléket folyadékokba, és gondoskodjon arról, hogy ne hatoljanak folyadékok a készülékekbe és az akkukba. A korrozív hatású vagy vezetőképes folyadékok, mint pl. a sós víz, bizonyos vegyi anyagok, fehérítők vagy fehérítő tartalmú termékek, rövidzárlatot okozhatnak.

### CE-AZONOSSÁGI NYILATKOZAT

Egyedüli felelősséggel kijelentjük, hogy a „Műszaki Adatok” alatt leírt termék a 2011/65/EU (RoHS), 2014/30/EU, 2006/42/EC irányelvek minden releváns előírásának, ill. az alábbi harmonizált normatív dokumentumoknak megfelel:

EN 62841-1:2015

EN 62841-2-14:2015

EN 55014-1:2017

EN 55014-2:2015

EN IEC 63000:2018

Winnenden, 2019-26-02

*Alexander Krug*

Alexander Krug  
Managing Director



Műszaki dokumentáció összeállításra felhatalmazva

Techtronic Industries GmbH

Max-Eyth-Straße 10

71364 Winnenden

Germany

### RENDELTELTÉSSZERŰ HASZNÁLAT

A gyalu felületek és hornyok gyalulásához, valamint élek lehúzásához használható.

A készüléket kizárólag az alábbiakban leírtaknak megfelelően szabad használni.

### AKKUK

A hosszabb ideig üzemben kívül lévő akkumulátort használat előtt ismételtelen fel kell tölteni.

50°C feletti hőmérsékletnél csökkenhet az akkumulátor teljesítménye. Kerülni kell a túlzottan meleg helyen vagy napon történő hosszabb idejű tárolást.

A Powerport és a csereakku csatlakozó érintkezőit tisztán kell tartani.

Az optimális élettartam érdekében használat után az akkukat teljesen fel kell tölteni.

A lehetőleg hosszú élettartamhoz az akkukat feltöltés után ki kell venni a töltőkészülékből.

Az akku 30 napot meghaladó tárolása esetén:

Az akkut kb. 27 °C-on, száraz helyen kell tárolni.

Az akkut kb. 30-50%-os töltöttségi állapotban kell tárolni.

Az akkut 6 havonta újra fel kell tölteni.

### AZ AKKUMULÁTOR TŰLTERHELÉS ELLENI VÉDELME

Az akkucsomag olyan túlterhelés elleni védelemmel rendelkezik, mely védi az akkut a túlterhelés ellen, és hosszú élettartamot biztosít. Rendkívül erős igénybevétel esetén az akkuelektronika automatikusan lekapcsolja a gépet. A további munkavégzéshez a gépet ki-, majd ismét be kell kapcsolni. Ha a gép nem indul el ismét, akkor lehetséges, hogy az akkucsomag lemerült és azt újból fel kell tölteni a töltőben.

### LÍTIUM-ION AKKUK SZÁLLÍTÁSA

A lítium-ion akkuk a veszélyes áruk szállítására vonatkozó törvényi rendelkezések hatálya alá tartoznak.

Az ilyen akkuk szállításának a helyi, országos és nemzetközi előírások és rendelkezések betartása mellett kell történnie.

- A fogyasztók minden további nélkül szállíthatják az ilyen akkukat közúton.
- A lítium-ion akkuk szállítmányozási vállalatok általi kereskedelmi célú szállítására a veszélyes áruk szállítására vonatkozó rendelkezések érvényesek. A kiszállítás előkészítését és a szállítást kizárólag megfelelő képzettségű személyek végezhetik. A teljes folyamatnak szakmai felügyelet alatt kell történnie.

A következő pontokat kell figyelembe venni akkuk szállításakor:

- Biztosítsa, hogy a rövidzárlatot elkerülése érdekében az érintkezők védve és szigetelve legyenek.
- Ügyeljen arra, hogy az akkucsomag ne tudjon elcsúszni a csomagoláson belül.
- Tilos sérült vagy kifolyt akkukat szállítani. További útmutatásokért forduljon szállítmányozási vállalatához.

### KEZELÉS

Soha ne érjen a kések veszélyes zónájába működés közben.

A gépet elülső lapjával a munkadarabra kell helyezni, és be kell kapcsolni, mielőtt a gyalukés a munkadarabot érintené, majd egyenletesen végig kell vezetni a munkadarabon.

A lengő védőfedeleket csak a munkadarabbal vagy a karral szabad működtetni.

A V-horony az elülső feltekő lapon lehetővé teszi élek biztonságos lehúzását.

Ha a rovátkolt gyalukést használja, mindig két különböző rovátkaszámmal rendelkező kést használjon.

### KARBANTARTÁS

A készülék szellőzőnyílásait mindig tisztán kell tartani.

Ha a gyalu kiümlője eltömődik gyantával, egy terpeninbe mártott ruhával távolítsa el a szennyeződést

Javításhoz, karbantartáshoz kizárólag AEG alkatrészeket és tartozékokat szabad használni. A készülék azon részeinek cseréjét, amit a kezelési útmutató nem engedélyez, kizárólag a javításra feljogosított márkaszerviz végezheti. (Lásd a szervizlistát)

Igény esetén a készülékről robbantott rajz kérhető a géptípus és a teljesítménycímeként található hatjegyű szám megadásával az Ön bevásárlóhelyénél, vagy közvetlenül a Techtronic Industries GmbH-től a Max-Eyth-Straße 10, 71364 Winnenden, Németország címen.

### SZÍMBÖLUMOK

	FIGYELEM! FIGYELMEZTETÉS! VESZÉLY!
	Karbantartás, javítás, tisztítás, stb. előtt az akkumulátort ki kell venni a készülékből.
	Kérjük alaposan olvassa el a tájékoztatót mielőtt a gépet használja.
	Hordjon védőkesztyűt!
	Hallásvédő eszköz használata ajánlott!
	Munkavégzés közben ajánlatos védőszemüveget viselni.
	Azokat a tartozékokat, amelyek gyárilag nincsenek a készülékhez mellékelve, külön lehet megrendelni.
	Az elektromos eszközöket, elemeket/akkukat nem szabad a háztartási hulladékkal együtt ártalmatlanítani. Az elektromos eszközöket és akkukat szelektíven kell gyűjteni, és azokat környezetbarát ártalmatlanítás céljából hulladékhasznosító üzemben kell leadni. A helyi hatóságoknál vagy szakkereskedőjénél tájékozódjon a hulladékudvarokról és gyűjtőhelyekről.
$n_n$	Üresjáratú fordulatszám
V	Feszültség
	Egyenáram
	Forgásirány
	Európai megfelelőségi jelölés
	Ukrán megfelelőségi jelölés
	Eurázsiai megfelelőségi jelölés

TEHNIČNI PODATKI	BATERIJSKI SKOBELJNIKI	BHO18BL
Proizvodna številka.....	4743 18 01...	...000001-999999
Napetost izmenljivega akumulatorja.....	18 V	
Sirina obliča.....	82 mm	
Napajalna globina maks.....	2,0 mm	
Globina zgiba.....	12,5 mm	
Številno vrtljajev v prostem teku.....	14300 min <sup>-1</sup>	
Teža po EPTA-proceduri 01/2014 (1,5 Ah - 9,0 Ah).....	3,1 - 3,8 kg	
Priporočena temperatura okolice pri delu.....	-18...+50 °C	
Priporočene vrste akumulatorskih baterij.....	L 1815R ... L1890RHD	
Priporočeni polnilniki.....	BL1418	

#### Informacije o hrupnosti/vibracijah

Vrednosti merjenja ugotovljene ustrezno z EN 62841.

Raven hrupnosti naprave ovrednotena z A, znaša tipično:

Nivo zvočnega tlaka (Nevarnost K=3dB(A))..... 89,5 dB (A)

Višina zvočnega tlaka (Nevarnost K=3dB(A))..... 100,5 dB (A)

#### Nosite zaščito za sluha!

Skupna vibracijska vrednost (Vektorska vsota treh smeri) določena

ustrezno EN 62841.

Vibracijska vrednost emisij a<sub>v</sub>..... 3,4 m/s<sup>2</sup>

Nevarnost K=..... 1,5 m/s<sup>2</sup>

#### OPOZORILO!

Raven vibracij in hrupa, navedena v tem informativnem listu, je bila izmerjena v skladu s standardiziranim preskusom iz EN 62841 in jo je mogoče uporabljati za primerjavo orodij med seboj. Mogoče jo je tudi uporabiti za predhodno oceno izpostavljenosti.

Navedena raven vibracij in hrupa predstavlja glavno uporabo orodja. Če pa se orodje uporablja za različne namene, z različnimi dodatki ali slabo vzdrževano, se lahko vibracije in hrup razlikujejo. To lahko znatno poveča raven izpostavljenosti v celotnem delovnem obdobju.

Pri oceni ravni izpostavljenosti vibracijam in hrupu je treba upoštevati tudi čas, ko je orodje izklopljeno ali ko teče, vendar dejansko ne opravlja dela. To lahko bistveno zmanjša raven izpostavljenosti v celotnem delovnem obdobju.

Ugotovite dodatne varnostne ukrepe za zaščito upravljalca pred učinki vibracij in/ali hrupa, kot so: vzdrževanje orodja in dodatkov, tople roke, organizacija delovnih vzorcev.

**⚠ OPOZORILO! Preberite vsa varnostna opozorila in navodila, prikaze in specifikacije tega električnega orodja.** Zakasnelo upoštevanje sledečih navodil lahko povzroči električni udar, požar in/ali težke poškodbe.

**Vsa opozorila in napotila shranite, ker jih boste v prihodnje še potrebovali.**

#### ⚠ VARNOSTNA OPOZORILO ZA SKOBELJNIKE

**⚠ Počakajte, da se priprava za rezanje popolnoma zaustavi, preden orodje odložite.** Odprto ležča, vrteča se priprava za rezanje lahko negativno vpliva na površino in vodi do eventualne izgube kontrole in povzročitve hudih poškodb!

**Za pritruditev obdelovanca na stabilno podlago uporabite primež ali druge praktične pripomočke.** Pri držanju obdelovanca v roki ali pri pritiskanju s telesom ob obdelovanec, lahko le ta zdrsne, kar lahko privede do izgube nadzora.

#### ⚠ NADALJNA VARNOSTNA IN DELOVNA OPOZORILO

Pri delu s strojem vedno nosite zaščitna očala. Priporočamo zaščitne rokavice, trdno obuvanje, varno proti drsenju ter predpasnik.

Brezpogojno uporabljajte zaščitne priprave stroja.

Skobljati zgolj z ostrimi rezili in nikdar čez kovino (žebliji, vijaki).

Ne segajte na področje nevarnosti tekočih nožev!

Prah, ki nastaja pri delu, je pogosto zdravju škodljiv in naj ne zaide v telo. Nosite ustrezno masko proti prahu.

Obdelava materialov, iz katerih izhaja ogroženost zdravja (npr. azbest), ni dovoljena.

V primeru blokade orodja napravite takoj izklop! Naprave ponovno ne vklaplajte dokler je orodje blokirano; pri tem bi lahko prišlo do povratnega udara z velikim reakcijskim momentom. Ugotovite in odpravite vzroke blokade orodja ob upoštevanju varnostnih navodil.

Možni razlogi so lahko:

- Zagozditev v obdelovancu
- prežganje obdelovanega materiala
- Preobremenitev električnega orodja

Ne segajte v stroj v teku.

Orodje lahko med uporabo postane vroče.

**OPOZORILO!** Nevarnost opeklin

- pri menjavi orodja
- pri odlaganju naprave

Trske ali iveri se pri tekočem stroju ne smejo odstranjevati.

Izrabljenih izmenljivih akumulatorjev ne mečite v ogenj ali v gospodinjne odpadke. AEG nudi okolju prijazno odlaganje starih izmenljivih akumulatorjev; prosimo povprašajte vašega strokovnega trgovca.

Izmenljivih akumulatorjev ne hranite skupaj s kovinskimi predmeti (nevarnost kratkega stika).

Izmenljive akumulatorje sistema GBS polnite samo s polnilnimi aparati sistema GBS. Ne polnite nobenih akumulatorjev iz drugih sistemov.

V odprtino za nameščanje izmenljivih akumulatorjev na polnilnih aparatih ne smejo zaiti nikakršni kovinski deli (nevarnost kratkega stika).

Izmenljivih akumulatorjev in polnilnih aparatov ne odpirajte in jih hranite samo v suhih prostorih. Zaščitite jih pred mokroto.

Pod ekstremno obremenitvijo ali ob ekstremni temperaturi iz poškodovanega izmenljivega akumulatorja lahko izteka akumulatorska tekočina. Po stiku z akumulatorsko tekočino prizadeto mesto takoj izperite z vodo in milom. Po stiku z očmi takoj najmanj 10 minut dolgo temeljito izpirajte in nemudoma obiščite zdravnika.

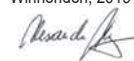
**Opozorilo!** V izogib, s kratkim stikom povzročene nevarnosti požara, poškodb ali okvar na proizvodu, orodja, izmenljivega akumulatorja ali polnilne naprave ne polaplajte v tekočine in poskrbite, da ne bo prihajalo do vdora tekočin v naprave in akumulatorje. Korozivne ali prevodne tekočine, kot so slana voda, določene kemikalije in belila ali proizvodi, ki le ta vsebujejo, lahko povzročijo kratek stik.

#### CE-IZJAVA O KONFORMNOSTI

V lastni odgovornosti izjavljamo, da se pod „Tehnični podatki“ opisan proizvod ujema z vsemi relevantnimi predpisi smernice 2011/65/EU (RoHS), 2014/30/EU, 2006/42/ES in s sledečimi harmoniziranimi normativnimi dokumenti:

EN 62841-1:2015  
EN 62841-2-14:2015  
EN 55014-1:2017  
EN 55014-2:2015  
EN IEC 63000:2018

Winnenden, 2019-26-02



Alexander Krug  
Managing Director

Pooblaščen za izdelavo spisov tehnične dokumentacije.

Techtronic Industries GmbH  
Max-Eyth-Straße 10  
71364 Winnenden  
Germany



#### UPORABA V SKLADU Z NAMEMBNOSTJO

Skobelj je primeren za skobljanje ploskih površin in zgibov ter za posnemanje robov.

Ta naprava se sme uporabiti samo v skladu z namembnostjo uporabiti samo za navede namene.

#### AKUMULATORJI

Izmenljive akumulatorje, ki jih daljši čas niste uporabljali, pred uporabo naknadno napolnite.

Temperatura nad 50°C zmanjšuje zmogljivost izmenljivega akumulatorja. Izogibajte se daljšemu segrevanju zaradi sončnih žarkov ali gretja.

Priklopne kontakte na Powerport-u in izmenljivem akumulatorju ohranjajte v čistem stanju.

za optimalno življenjsko dobo je potrebno akumulatorje po uporabi do konca napolniti.

Za čim daljšo življenjsko dobo naj se akumulatorji po napolnitvi vzamejo ven iz naprave za polnjenje.

Pri skladiščenju akumulatorjev daj kot 30 dni:

Akumulator skladiščiti pri 27°C in na suhem.

Akumulator skladiščiti pri 30%-50% stanja polnjenja.

Akumulator spet napolniti vsakih 6 mesecev.

#### ZAŠČITA PREOBREMENITVE AKUMULATORJA

Komplet akumulatorja je opremljen s preobremenitveno zaščito, ki ščiti akumulator pred preobremenitvijo in zagotavlja dolgo življenjsko dobo. Pri ekstremno visokih obremenitvah elektronika akumulatorja stroj avtomatsko izklopi. Za nadaljnje delo stroj izklopimo in ponovno vklopimo. V kolikor stroj ponovno ne steče, je komplet akumulatorja morebiti izprazenjen in ga je v polnilcu potrebno ponovno napolniti.

#### TRANSPORT LITIJ-IONSkih AKUMULATORJEV

Litij-ionski akumulatorji so potrjeni zakonskim določbam transporta nevarnih snovi.

Transport teh akumulatorjev se mora izvajati upoštevajoč lokalne, nacionalne in mednarodne predpise in določbe.

• Potrošniki lahko te akumulatorje še nadalje transportirajo po cesti.

• Komercialni transport litij-ionskih akumulatorjev s strani špediterških podjetij je potrjen določbam transporta nevarnih snovi. Priprava opreme in transporta se lahko vrši izključno s strani ustrezno izšolanih oseb. Celoten proces je potrebno strokovno spremljati.

Pri transportu akumulatorjev je potrebno upoštevati sledeče točke:

- V izogib kratkim stikom zagotovite, da bodo kontakti zaščiteni in izolirani.
- Bodite pozorni na to, da paket akumulatorja v notranjosti embalaže ne bo mogel zdrsni.
- Poškodovanih ali iztekajočih akumulatorjev ni dovoljeno transportirati. Za nadaljnja navodila se obrnite na vaše špediterško podjetje.

#### UPORABA

Ne segajte na področje nevarnosti tekočih nožev!

Z prednjo ploščo napravo nastavimo na obdelovanec in jo vključimo preden se skobeljni noži dotaknejo obdelovanca. Nato jo enakomerno vodimo preko obdelovanca.

Nihajni okrov smemo upravljati zgolj preko obdelovanca ali z vzvodom. V-utor v prednji naležni plošči omogoča varno posnemanje robov.

Pri uporabi lesnih obličev z utori za lomljenje trsk vedno uporabite pare rezil z različnim številom utorov.

#### VZDRŽEVANJE


Pazite na to, da so prezačevalne reže stroja vedno čiste.

Nasmoljeni izmet trsk očistite s krpo, namočeno v nadomestku terpentina.

Uporabljajte samo AEG pribor in nadomestne dele. Poskrbite, da sestavne dele, katerih zamenjava ni opisana, zamenjajo v AEG servisni službi (upoštevajte brošuro Garancija/Naslovi servisnih služb).

Po potrebi je mogoče pri vašem servisnem mestu ali neposredno pri Techtronic Industries GmbH, Max-Eyth-Straße 10, 71364 Winnenden, Germany, naročiti eksplozijsko risbo naprave ob navedbi tipa stroja in na tablici navedene šestmestne številke.

#### SIMBOLI

	POZOR! OPOZORILO! NEVARNO!
	Pred vsemi deli na stroji odstranite izmenljivi akumulator.
	Prosimo, da pred uporabo pozorno preberete to navodilo za uporabo.
	Nositi zaščitne rokavice
	Nosite zaščito za sluh!
	Pri delu s strojem vedno nosite zaščitna očala.
	Oprema – ni vsebovana v obsegu dobave, priporočeno dopolnilo iz programa opreme.
	Električnih naprav, baterij/akumulatorjev ni dovoljeno odstranjevati skupaj z gospodinjstskimi odpadki. Električne naprave in akumulatorje je potrebno zbirati ločeno in za okolju prijazno odstranitev, oddati podjetju za reciklažo. Pri krajevnem uradu ali vašem strokovnem prodajalcu se pozanimajte glede reciklažnih dvorišč in zbirnih mest.
$n_n$	Številno vrtljajev v prostem teku
$V$	Napetost
	Enosmerni tok
	Smer vrtenja
	Evropska oznaka za združljivost
	Ukrajinska oznaka za združljivost
	Evrazijska oznaka za združljivost

TEHNIČKI PODACI	BLANJA SA AKUMULATOROM	BHO18BL
Broj proizvodnje.....	4743 18 01...	..000001-999999
Napon baterije za zamjenu.....	18 V	
Širina blanje.....	82 mm	
Dubina struganja max.....	2,0 mm	
Dubina savijanja.....	12,5 mm	
Broj okretaja praznog hoda.....	14300 min <sup>-1</sup>	
Težina po EPTA-proceduri 01/2014 (1,5 Ah - 9,0 Ah).....	3,1 - 3,8 kg	
Preporučena temperatura okoline kod rada.....	-18...+50 °C	
Preporučeni tipovi akumulatora.....	L1815R ... L1890RHD	
Preporučeni punjači.....	BL1418	

#### Informacije o buci/vibracijama

Mjerne vrijednosti utvrđene odgovarajuće EN 62841.

A-ocijenjeni nivo buke aparata iznosi tipično:

Nivo pritiska zvuka (Nesigurnost K=3dB(A))..... 89,5 dB (A)

Nivo učinka zvuka (Nesigurnost K=3dB(A))..... 100,5 dB (A)

#### Nositi zaštitu sluha!

Ukupne vrijednosti vibracije (Vektor suma tri smjera) su odmjerene odgovarajuće EN 62841.

Vrijednost emisije vibracije a<sub>v</sub>..... 3,4 m/s<sup>2</sup>

Nesigurnost K=..... 1,5 m/s<sup>2</sup>

#### UPOZORENIE!

Razine emisije vibracija i buke navedena u ovom informacijskom listu izmjerene su u skladu sa standardiziranim ispitom koji propisuje EN 62841 i mogu se upotrebljavati za međusobnu usporedbu alata. Također se mogu upotrebljavati za prethodnu procjenu izloženosti.

Navedene razine emisija vibracija i buke predstavljaju glavnu svrhu primjene alata. Međutim, ako se alat upotrebljava u druge svrhe, s drugim priborom ili se ne održava dovoljno, emisije vibracija i buke mogu biti drukčije. To može značajno povećati razinu izloženosti tijekom cjelokupna razdoblja rada.

Procjena razine izloženosti vibracijama i buci također bi u obzir trebala uzeti razdoblja tijekom kojih je alat isključen ili kada je uključen, no njime se ne obavlja nikakav rad. Time se značajno može smanjiti razina izloženosti tijekom cjelokupna razdoblja rada.

Utvrđite dodatne sigurnosne mjere kako biste zaštitili rukovatelja od ovih učinaka vibracija i/ili buke, primjerice: održavanje alata i pribora, osiguravanje da ruke budu tople, organizacija obrazaca rada.

**UPOZORENIE! Treba pročitati sve napomene o sigurnosti, upute, prikaze i specifikacije za ovaj električni alat.** Propusti kod pridržavanja sljedećih uputa može uzrokovati strujni udar, požar i/ili teške ozljede.

**Sačuvajte sve napomene o sigurnosti i upute za buduću primjenu.**

#### SIGURNOSNE UPUTE ZA BLANJU

**Sačekajte da se mehanizam za razdvajanje zaustavi prije nego odložite alat.** Otvoren mehanizam za razdvajanje koji je položen i koji se okreće može imati utjecaja na površinu i može dovesti do eventualnog gubljenja kontrole nad strojem i teških ozljeda.

**Koristite vijčane stezaljke ili druga praktična pomoćna sredstva kako bi izradak pričvrstili na stabilnoj podlozi.** Držanjem izratka rukom ili protupritisnjem tijelom izradak može prokliznuti, što može dovesti do gubitka kontrole.

#### OSTALE SIGURNOSNE I RADNE UPUTE

Kod radova sa strojem uvijek nositi zaštitne naočale. Zaštitne rukavice, čvrste i protiv klizanja sigurne cipele kao i pregača se preporučuju.

Bezuvjetno upotrijebiti zaštitnu napravu stroja.

Blanjati samo sa oštrim nožem i nikada preko metala (čavala, vijaka)

Ne sezati u područje opasnosti noža kod rada!

Prašina koja nastaje prilikom rada je često nezdrava i ne bi smijela dospjeti u tijelo. Nositi prikladnu zaštitnu masku protiv prašine.

Ne smiju se obrađivati nikakvni materijali, od kojih prijeti opasnost po zdravlje (npr. azbest).

Kod blokiranja alata koji se upotrebljava uređaj molimo odmah isključiti! Uređaj nemojte ponovno uključiti za vrijeme dok je alat koji se upotrebljava blokiran; time može doći do povratnog udara sa visokim reakcijskim momentom. Pronađite i otklonite uzrok blokiranja alata koji se upotrebljava uz poštivanje sigurnosnih uputa.

Mogući uzroci tome mogu biti:

- Izobličavanje u izratku koji se obrađuje
- Probijanje materijala koji se obrađuje
- Preopterećenje električnog alata

Nemojte sezati u stroj koji radi.

Upotrebjeni alat se može za vrijeme korištenja zagrijati.

**UPOZORENIE!** Opasnost od opekotina

- kod promjene alata
- kod odlaganja uređaja

Piljevina ili iverje se za vrijeme rada stroja ne smiju odstranjivati.

Istrošene baterije za zamjenu ne bacati u vatru ili u kućno smeće. AEG nudi mogućnost uklanjanja starih baterija odgovarajuće okolini; upitajte molimo Vašeg stručnog trgovca.

Baterije za zamjenu ne čuvati skupa sa metalnim predmetima (opasnost od kratkog spoja).

Baterije sistema GBS puniti samo sa uređajem za punjenje sistema GBS. Ne puniti baterije iz drugih sistema.

U prostor za punjenje baterija u uređaju za punjenje ne smiju dospjeti metalni dijelovi (opasnost od kratkog spoja).

Baterije za zamjenu i uređaje za punjenje ne otvarati i čuvati ih samo u suhim prostorijama. Čuvati protiv vlage.

Pod ekstremnim opterećenjem ili ekstremne temperature može iz oštećenih baterija iscuriti baterijska tekućina. Kod dodira sa baterijskom tekućinom odmah isprati sa vodom i sapunom. Kod kontakta sa očima odmah najmanje 10 minuta temeljno ispirati i odmah potražiti liječnika.

**Upozorenje!** Zbog izbjegavanja opasnosti od požara jednim kratkim spojem, opasnosti od ozljeda ili oštećenja proizvoda, alat, izmjenjivi akumulator ili napravu za punjenje ne uronjavati u tekućine i pobrinite se za to, da u uređaje ili akumulator ne prodiru nikakve tekućine. Korozirajuće ili vodljive tekućine kao slana voda, određene kemikalije i sredstva za bijeljenje ili proozvodi koji sadrže sredstva bijeljenja, mogu prouzročiti kratak spoj.

#### CE-IZJAVA KONFORMNOSTI

Izjavljujemo na osobnu odgovornost, da je proizvod opisan pod „Tehnički podaci“, sukladan sa svim relevantnim propisima smjernice 2011/65/EU (RoHS), 2014/30/EU, 2006/42/EC i sa slijedećim harmoniziranim normativnim dokumentima:

EN 62841-1:2015  
EN 62841-2-14:2015  
EN 55014-1:2017  
EN 55014-2:2015  
EN IEC 63000:2018

Winnenden, 2019-26-02

*Alexander Krug*

Alexander Krug  
Managing Director

Ovlašten za formiranje tehničke dokumentacije.



Techtronic Industries GmbH  
Max-Eyth-Straße 10  
71364 Winnenden  
Germany

#### PROPIISNA UPOTREBA

Blanja je prikladna za blanjanje površina i savijana kao i skidanje ivica.

Ovaj aparat se smije upotrijebiti samo u određene svrhe kao što je navedeno.

#### BATERIJE

Baterije koje duže vremena nisu korištene, prije upotrebe napuniti. Temperatura od preko 50°C smanjuje učinak baterija. Duže zagrijavanje od strane sunca ili grijanja izbjeci.

Priključne kontaktke na Powerportu i izmjenjivju bateriji držati u čistom stanju.

Za optimalni vijek trajanja se akumulatori poslije upotrebe moraju sasvim napuniti.

Za što moguće duži vijek trajanja, akumulatori se nakon punjenja moraju odstraniti iz punjača.

Kod skladištenja akumulatora duže od 30 dana:

Akumulator skladištiti na suhom kod ca. 27°C.

Akumulator skladištiti kod ca. 30%-50% stanja punjenja.

Akumulator ponovno napuniti svakih 6 mjeseci.

#### ZAŠTITA OD PREOPTEREĆENJA AKUMULATORA

Akkupack je opremljen jednom zaštitom protiv preopterećenja, koja akumulator štiti protiv preopterećenja i osigurava dugi vijek.

Kod ekstremno jakih opterećenja, elektronika akumulatora automatski isključuje stroj. Za nastavak rada stroja isključiti i ponovno uključiti. Ako se stroj ponovno ne pokrene, Akkupack je eventualno ispražnjen i mora se na punjaču ponovno napuniti.

#### TRANSPORT LITIJSKIH IONSKIH BATERIJA

Litijske-ionske baterije spadaju pod zakonske odredbe u svezi transporta opasne robe.

Prijevoz ovih baterija mora uslijediti uz poštivanje lokalnih, nacionalnih i internacionalnih propisa i odredaba.

- Korisnici mogu bez ustručavanja ove baterije transportirati po cestama.

- Komercijalni transport litijsko-ionskih baterija od strane transportnih poduzeća spada pod odredbe o transportu opasne robe. Otpremničke priprave i transport smiju izvoditi isključivo odgovarajuće školovane osobe. Kompletni proces se mora pratiti na stručan način.

Kod transporta baterija se moraju poštivati sljedeće točke:

- Uvjerite se da su kontakti zaštićeni i izolirani kako bi se izbjegli kratki spojevi.

- Pazite na to, da blok baterija unutar pakiranja ne može proklizavati.

- Oštećene ili iscurjele baterije se ne smiju transportirati.

U svezi ostalih uputa obratite se vašem prijevoznom poduzeću.

#### RUKOVANJE

Ne sezati u područje opasnosti noža kod rada!

Stroj sa prednjom pločom postaviti na izradak i uključiti, prije nego noževi blanje dodirnu izradak, zatim voziti ravnomjerno preko izratka.

Njahačka zaštitna kapa se smije pokretati samo sa izratkom ili sa polugom.

V-žljeb u prednjoj ploči nalijeganja omogućuje sigurno skidanje ivica.

Kod upotrebe noževa blanje sa žljebovima za lomljenje strugotina umetnuti uvijek parove noževa sa različitim brojem žljebova.

U-žljeb u prednjoj ploči nalijeganja omogućuje sigurno skidanje ivica.

Kod upotrebe noževa blanje sa žljebovima za lomljenje strugotina umetnuti uvijek parove noževa sa različitim brojem žljebova.

#### ODRŽAVANJE

Preoze za prozračivanje stroja uvijek držati čistima.

Osmoljena izbacivanja strugotina očistiti sa krpom namočenom u zamjenu terpentina.

Primijeniti samo AEG opremu i rezervne dijelove. Sastavne dijelove, čija zamjena nije opisana, dati zamijeniti kod jedne od AEG servisnih službi (poštivati brošuru Garancija/Adrese servisa).

Po potrebi se crtež pojedinih dijelova aparata uz navođenje podatka o tipu stroja i šestznamenastog broja na pločici snage može zatražiti kod vašeg servisa ili direktno kod Techtronic Industries GmbH, Max-Eyth-Straße 10, 71364 Winnenden, Njemačka.

SIMBOLI	
	PAŽNJA! UPOZORENIE! OPASNOST!
	Prije svih radova na stroju izvaditi bateriju za zamjenu.
	Molimo da pažljivo pročitate uputu o upotrebi prije puštanja u rad.
	Nositi zaštitne rukavice!
	Nositi zaštitu sluha!
	Kod radova na stroju uvijek nositi zaštitne naočale.
	Oprema - u opsegu isporuke nije sadržana, preporučena dopuna iz promgrama opreme.
	Elektrouređaji , baterije/akumulatori se ne smiju zbrinjavati skupa sa kućnim smećem. Električni uređajii akumulatori se moraju skupljati odvojeno i predati na zbrinjavanje primjereno okolišu jednom od pogona za iskorišćavanje. Raspitajte se kod mjesnih vlasti ili kod stručnog trgovca u svezi gospodarstva za recikliranje i mjesta skupljanja.
$n_r$	Broj okretaja praznog hoda
V	Napon
	Istosmjerna struja
	Smjer okretanja
	Europski znak suglasnosti
	Ukrajinski znak suglasnosti
	Euroazijski znak suglasnosti

TEHNISKIE DATI	AKUMULATORA GREIDERS	BHO18BL
Izlaides numurs .....	4743 18 01...	..000001-999999
Akumulātorā spriegums .....	18 V	
Ēveles platums .....	82 mm	
Ēvelēšanas dziļums maksimālais .....	2,0 mm	
Falčēšanas dziļums .....	12,5 mm	
Tukšgaitas apgriezīgu skaits .....	14300 min <sup>-1</sup>	
Svars atbilstoši EPTA - Procedure 01/2014 (1,5 Ah - 9,0 Ah) .....	3,1 - 3,8 kg	
Leteicamā vides temperatūra darba laikā .....	-18...+50 °C	
Leteicamie akumulatoru tipi .....	L1815R ... L1890RHD	
Leteicamās uzlādes ierīces .....	BL1418	

### Trokšņu un vibrāciju informācija

Vērtības, kas noteiktas saskaņā ar EN 62841.

A novērtētās aparatūras skaņas līmenis ir:

Trokšņa spiediena līmenis (Nedrošība K=3dB(A)) .....

Trokšņa jaudas līmenis (Nedrošība K=3dB(A)) .....

### Nēsāt trokšņa slāpētāju!

Svārstību kopējā vērtība (Trīs virzienu vektoru summa) tiek noteikta

atbilstoši EN 62841.

Svārstību emisijas vērtība a<sub>w</sub> .....

Nedrošība K= .....

### UZMANĪBU!

Vibrācijas un trokšņa emisijas līmenis šajā informācijas lapā ir izmērīts saskaņā ar EN 62841 standarta testa metodi un var tikt izmantots, lai salīdzinātu vienu ierīci ar otru. Tās var tikt izmantotas ietekmes sākotnējai izvērtēšanai.

Norādītais vibrācijas un trokšņa emisijas līmenis attēlo ierīces galvenos izmantošanas veidus. Tomēr, ja ierīce tiek izmantota citiem mērķiem, ar citu papildaprīkojumu vai nepareizi apkalpota, vibrācijas un trokšņa emisija var atšķirties. Tas var ievērojami paaugstināt ietekmes līmeni visā darba laikā.

Novērtējot vibrācijas un trokšņa ietekmes līmeni, vajadzētu ņemt vērā arī laiku, kad ierīce ir izslēgta vai ieslēgta, taču netiek lietota. Tas var ievērojami samazināt ietekmes līmeni visā darba laikā.

Lai aizsargātu operatoru no vibrācijas un/vai trokšņa, veiciet papildu drošības pasākumus, piemēram, veiciet apkopi ierīcei un papildaprīkojumam, uztrieiet rokas siltas, organizējiet darba grafiku.

**▲ BRĪDINĀJUMS** Izlasiet visus šim elektroinstrumentam pievienotos drošības brīdinājumus, instrukcijas, ilustrācijas un specifikācijas. Nespēja ievērot visas zemāk uzskaitītās instrukcijas var novest pie elektrošoka, ugunsgrēka un/vai smagiem savainojumiem. **Pēc izlasīšanas uzglabājiet šos noteikumus turpmākai izmantošanai.**

### ▲ ĒVELES DROŠĪBAS NORĀDES

**Pirms instrumenta nolikšanas nogaidiet, līdz griešanas palīgierīce apstājas.** Atklātie guloša, rotējoša griešanas palīgierīces var izraisīt iedarbību uz virsmu un iespējamu kontroles zaudēšanu, kā arī izraisīt smagas traumas!

**Izmantojiet skavas vai kādu citu praktisku veidu kā atbalstīt un nostiprināt apstrādājamo materiālu pie stabilas platformas.**

Materiāla turēšana rokā vai atbalstīšana pret ķermeni padara to nestabilu un var izraisīt kontroles zaudēšanu.

### ▲ CITAS DROŠĪBAS UN DARBA INSTRUKCIJAS

Strādājot ar mašīnu, vienmēr jānēsā aizsargbrilles. Tiek ieteikts nēsāt arī aizsargcimdus, slēgtus, neslīdošus apavus un priekšautu.

Noteikti vajag izmantot mašīnai paredzēto aizsargaprīkojumu.

Ēvelēt tikai ar asiem nažiem; nedrīkst ēvelēt vīrs metāla priekšmetiem (nagliem, skrūvēm).

Nedrīkst likt rokas tuvumā ieslēgtajam motoram!

Putekli, kas rodas darba gaitā, bieži ir kaitīgi veselībai un tiem nevajadzētu nokļūt organismā. Jānēsā piemērota maska, kas pasargā no putekļiem.

Nedrīkst apstrādāt materiālus, kas rada draudus veselībai (piemēram, azbestu).

Ja izmantojamais darba rīks tiek bloķēts, nekavējoties izslēgt ierīci! Neieslēdziet ierīci, kamēr izmantojamais darba rīks ir bloķēts; var rasties atsitieni ar augstu griezes momentu. Noskaidrojiet un novērsiet izmantojamā darba rīka bloķēšanas iemeslu, ievērojot visas drošības norādes.

Iespējamie iemesli:

- iesprūdis apstrādājamajam materiālam
- apstrādājamais materiāls ir caursists
- elektroinstrumentis ir pārslogots

Leslēgtai ierīcei nepieskarties.

Izmantojamais darba rīks darba gaitā var stipri sakarst.

**UZMANĪBU!** Bīstamība apdedzināties

- veicot darba rīka nomaiņu

- noliekot iekārtu

Skaņas un atlūzas nedrīkst ņemt ārā, kamēr mašīna darbojas.

Izmantotos akumulatorus nedrīkst mest ugunī vai parastajos atkritumos. Firma AEG piedāvā iespēju vecos akumulatorus savākt apkārtējo vidi saudzējošā veidā; jautājiet specializētā veikalā.

Akumulatorus nav ieteicams glabāt kopā ar metāla priekšmetiem (iespējams īsslēgums).

GBS sistēmas akumulatorus lādēt tikai ar GBS sistēmas lādētājiem. Nedrīkst lādēt citus akumulatorus no citām sistēmām.

Jāuzmanās, lai akumulatoru lādētājā nenokļūtu nekādi metāla priekšmeti (iespējams īsslēgums).

Akumulatorus un lādētājus nedrīkst taisīt vaļā un tie jāuzglabā sausās telpās.

Pie ārkārtas slodzes un ārkārtas temperatūrām no bojātā akumulatora var izteciēt akumulatora šķidrums. Ja nonākat saskarsmē ar akumulatora šķidrumu, saskarsmes vieta nekavējoties jānomazgā ar ūdeni un ziepēm. Ja šķidrums nonācis acīs, acis vīsmaz 10 min. skalot un nekavējoties konsultēties ar ārstu.

**Brīdinājumi!** Lai novērstu īssavienojuma izraisītu aizdegšanās, savainojumu vai produkta bojājuma risku, neiegremdējiet instrumentu, mainīto akumulatoru vai uzlādes ierīci šķidrums un rūpējieties par to, lai ierīcēs un akumulatoros neiekļūtu šķidrums. Koroziju izraisoši vai vadītspējīgi šķidrumi, piemēram, sālsūdens, noteiktas ķīmikālijas, balinātāji vai produkti, kas satur balinātājus, var izraisīt īssavienojumu.

### ATBILSTĪBA CE NORMĀM

Mēs apliecinām, ka produkts, kura tehniskie parametri aprakstīti „tehnisko datu lapā”, pilnībā atbilst prasībām saskaņā ar direktīvām 2011/65/EU (RoHS), 2014/30/ES, 2006/42/EK un attiecīgajiem harmonizētajiem normatīvajiem dokumentiem:

EN 62841-1:2015

EN 62841-2-14:2015

EN 55014-1:2017

EN 55014-2:2015

EN IEC 63000:2018

Winnenden, 2019-26-02

*Alexander Krug*

Alexander Krug

Managing Director

Pilnvarotais tehniskās dokumentācijas sastādītājs.



Techntron Industries GmbH  
Max-Eyth-Straße 10  
71364 Winnenden  
Germany

### NOTEIKUMIEM ATBILSTOŠS IZMANTOJUMS

Ēvele ir piemērota virsmu slīpēšanai un gropēšanai un malu apstrādei. Šo instrumentu drīkst izmantot tikai saskaņā ar minētajiem lietošanas noteikumiem.

### AKUMULĀTORI

Akumulatori, kas ilgāku laiku nav izmantoti, pirms lietošanas jāuzlādē. Pie temperatūras, kas pārsniedz 50°C, akumulatoru darbība tiek negatīvi ietekmēta. Vajag izvairīties no ilgākas saules un karstuma iedarbības.

Poverporta pieslēguma kontaktiem un nomaināmām baterijām ir jābūt tīrām.

Lai baterijas darba ilgums būtu optimāls, pēc iekārtas izmantošanas tā jāuzlādē.

Lai akumulatori kalpotu pēc iespējas ilgāku laiku, tos pēc uzlādes ieteicams atvienot no lādētāj ierīces.

Akumulatora uzglabāšana ilgāk kā 30 dienas: uzglabāt akumulatoru pie aptuveni 27° C un sausā vieta. Uzglabāt akumulatoru uzlādes stāvoklī aptuveni pie 30%-50%. Uzlādēt akumulatoru visus 6 mēnešus no jauna.

### AKUMULATORA AIZSARDZĪBA PRET PĀRSLOGOJUMU

Akumulatoru bloks ir aprīkots ar pretpārslogojuma aizsardzību, kas akumulatoru pasargā no pārslogojuma un nodrošina ilgu tā kalpošanas laiku.

Ārkārtīgi augsta noslogojuma gadījumā akumulatora elektronika ierīci automātiski izslēdz. Lai darbu turpinātu, ierīci izslēdziet un atkal ieslēdziet. Ja ierīce neieslēdzas, iespējams, ka akumulatoru bloks ir izlādējies un ir jāuzlādē no jauna.

### LITĪJA JONU AKUMULATORU TRANSPORTĒŠANA

Uz litija jonu akumulatoriem attiecas noteikumi par bīstamo kravu pārvadāšanu.

Šo akumulatoru transportēšana jāveic saskaņā ar vietējiem, valsts un starptautiskajiem normatīvajiem aktiem un noteikumiem.

- Patērētāja darbības, pārvadājot šos akumulatorus pa autoceļiem, nav reglamentētas.

- Uz litija jonu akumulatoru komerciālu transportēšanu, ko veic ekspedīcijas uzņēmums, attiecas bīstamo kravu pārvadāšanas noteikumi. Sagatavošanas darbus un transportēšanu drīkst veikt tikai atbilstoši apmācīts personāls. Viss process jāveda profesionāli.

Veicot akumulatoru transportēšanu, jāievēro:

- Pārliecinieties, ka kontakti ir aizsargāti un izolēti, lai izvairītos no īssavienojumiem.

- Pārliecinieties, ka akumulators iepakojumā nevar paslidēt.

- Bojātus vai tekošus akumulatorus nedrīkst transportēt.

Plašāku informāciju Jūs varat saņemt no ekspedīcijas uzņēmuma.

### LIETOŠANA

Nedrīkst likt rokas tuvumā ieslēgtajam motoram!

Elektroinstrumentu novieto ar prieku jo pamatni uz apstrdjam priekameta un iesl dz, pirms ve-na-ri ir pieskruaies apstrdjamajam priekametam, tad vienm r-gi apstrd priekameta virsmu.

Ēveles aizsargvāks drīkst tikt pacelts tikai ar apstrādājamā priekšmeta vai arī ar sviras palīdzību.

V-veida grope priekšējā pamatnē ļauj veikt precīzu malu apstrādi.

Ja tiek izmantoti speciāli ievērojami, vajag ņemt nažus ar dažādu rievu skaitu.

### APKOPE

Vajag vienmēr uzmanīti, lai būtu tīras dzesēšanas atveres.

Skaņas, kas satur sveķus, tīrīt ar terpentīna aizstājējā samitrinānu drēbi. Izmantojiet tikai firmu AEG piederumus un firmas rezerves daļas. Lieciet nomaiņīt detaļas, kuru nomaiņa nav aprakstīta, kādā no firmu AEG klientu apkalpošanas servisiem. (Skat. brošūru „Garantija/klientu apkalpošanas serviss”.)

Pēc pieprasījuma, Jūsu Klientu apkalpošanas centrā vai pie Techntron Industries GmbH, Max-Eyth-Straße 10, 71364 Winnenden, Vācijā, ir iespējams saņemt iekārtas montāžas rasejumu, iepriekš norādot iekārtas modeli un sērijas numuru, kas atrodas uz datu plāksnītes un sastāv no sešiem simboliem.

SIMBOLI	
	UZMANĪBU! BĪSTAMI!
	Pirms mašīnai veikt jebkāda veida apkopes darbus, ir jāizņem arī akumulators.
	Pirms sākt lietot instrumentu, lūdzu, izlasiet lietošanas pamācību.
	Jāvalkā aizsargcimdi!
	Nēsāt trokšņa slāpētāju!
	Strādājot ar mašīnu, vienmēr jānēsā aizsargbrilles.
	Piederumi - standartaprīkojumā neietvertas, bet ieteicams papildus komplektācijas detaļas no piederumu programmas.
	Elektriskus aparātus, baterijas/akumulatorus nedrīkst izliet kopā ar mājāsaimniecības atkritumiem. Elektriski aparāti un akumulatori ir jāsavāc atsevišķi un jānodod atkritumu pārstrādes uzņēmumā videi saudzīgai izlietošanai. Jautājiet vietējā iestādē vai savam specializētajam tirgotājam, kur atrodas atkritumu pārstrādes uzņēmumi vai savākšanas punkti.
$n_n$	Tukšgaitas apgriezīgu skaits
V	Spriegums
	Līdzstrāva
	Rotācijas virziens
	Eiropas atbilstības zīme
	Ukrainas atbilstības zīme
	Eiropas atbilstības zīme

TECHNINIAI DUOMENYS	OBLIUS SU AKUMULIATORIUMI	BHO18BL
Produkto numeris .....	4743 18 01... ...000001-999999	
Keičiamo akumulatoriaus įtampa .....	18 V	
Obliaus plotis .....	82 mm	
Drožlės storis maks. ....	2,0 mm	
Išdrožos gylis .....	12,5 mm	
Sūkių skaičius laisva eiga .....	14300 min <sup>-1</sup>	
Prietaiso svoris įvertintas pagal EPTA 01/2014 tyrimų metodiką (1,5 Ah - 9,0 Ah).....	3,1 - 3,8 kg	
Rekomenduojama aplinkos temperatūra dirbant.....	-18...+50 °C	
Rekomenduojami akumuliatorių tipai.....	L1815R ... L1890RHD	
Rekomenduojami įkrovikliai .....	BL1418	

#### Informacija apie triukšmą/vibraciją

Vertės matuotos pagal EN 62841.

Įvertintas A įrenginio keliamo triukšmo lygis dažniausiai sudaro:

Garso slėgio lygis (Paklaida K=3dB(A)) ..... 89,5 dB (A)

Garso galios lygis (Paklaida K=3dB(A)) ..... 100,5 dB (A)

#### Nešioti klausos apsaugines priemones!

Bendroji svyravimų reikšmė (trijų krypčių vektorių suma), nustatyta remiantis EN 62841.

Vibravimų emisijos reikšmė a<sub>w</sub> ..... 3,4 m/s<sup>2</sup>

Paklaida K<sub>w</sub> ..... 1,5 m/s<sup>2</sup>

#### DĖMESIO!

Šiame vadove nurodytos bendrosios vibracijos ir triukšmo emisijos vertės nustatytos pagal standartinius bandymo metodus pagal EN 62841, todėl gali būti taikomos lyginant vieną įrankį su kitu. Gali būti naudojama preliminariam poveikio įvertinimui.

Nurodytos bendrosios vibracijos ir triukšmo emisijos vertės atitinka įrankio taikymą. Jei įrankis naudojamas kitokiais tikslais, kartu su kitokiais priedais ar netinkamai prižiūrimas, bendrosios vibracijos ir triukšmo emisijos vertės gali skirtis. Tai gali žymiai padidinti poveikio lygį viso darbo metu.

Apskaiciuojant bendrosios vibracijos ir triukšmo emisijos vertes reikėtų atsižvelgti į laikotarpį, kai prietaisas yra išjungtas arba įjungtas, bet nėra naudojamas. Tai gali žymiai sumažinti poveikio lygį viso darbo metu.

Tam, kad naudotojas būtų apsaugotas nuo vibracijos ir (arba) triukšmo poveikio, reikia nustatyti papildomus saugos reikalavimus, pavyzdžiui: tinkamai prižiūrėti prietaisą ir jo priedus, laikyti rankas šiltais, organizuoti darbo modelius.

**⚠ WARNING Perskaitykite visus saugumo įspėjimus, instrukcijas, peržiūrėkite iliustracijas ir specifikacijas, pateiktas kartu su šiuo įrankiu.** Jei nepaisysite visų toliau pateiktų instrukcijų, gali trenkti elektros smūgis, kilti gaisras ir/arba galite sunkiai susižaloti arba sužaloti kitus asmenis.

**Išsaugokite šias saugos nuorodas ir reikalavimus, kad ir ateityje galėtumėte jais pasinaudoti.**

#### ⚠ DROŽIMO STAKLIŲ SAUGUMO NURODYMAI

**Palaukite, kol obliuojantis mechanizmas sustos, tik tada prietaisą padėkite.** Atviras, besisukantis obliavimo mechanizmas gali paveikti paviršius; gali būti prarasta kontrolė ir taip sąlygoti sunkūs sužeidimai!

**Naudokite spaustuvus ar kitokią tinkamą tvirtinimo priemonę pritvirtinti daiktą, su kuriuo dirbate, prie stabiliaus pagrindo.** Jei dalį, su kuria dirbate, laikote ranka arba prispaudę prie savo kūno, ji yra nestabili, ir todėl gali įvykti nelaimingas atsitikimas.

#### ⚠ KITI SAUGUMO IR DARBO NURODYMAI

Dirbdami su įrenginiu visada nešioti apsauginius akinius.

Rekomenduotina nešioti apsaugines pirštines, tvirtus batus neslidžiu padu bei prijuostę.

Būtinai naudokite įrenginio saugos įtaisus.

Visada naudokite tik aštrius peilius ir niekad neobliuokite per metalą (vinis, varžtus).

Nekiskite rankos į judančių peilių pavojaus zoną!

Darbo metu susidarančios dulksės yra dažnai kenksmingos sveikatai ir todėl turėtų nepatekti į organizmą. Dėvėti tinkamą apsauginę kaukę nuo dulkių.

Negalima apdirbti medžiagų, dėl kurių gali būti sveikatos pažeidimai (pvz., asbesto).

Blokuojant įstatomąjį įrankį būtina išjungti prietaisą! Neįjunkite prietaiso, kol įstatomasis įrankis yra užblokuotas; galimas grįžtamasis smūgis su dideliu sukimo momentu. Atsižvelgdami į saugumo nurodymus, nustatykite ir pašalinkite įstatomojo įrankio blokavimo priežastį.

Galimos priežastys:

- Susidariusios apdirbimo ruošinio briaunos
- Apdirbamos medžiagos pratrūkimai
- Elektros įrankio perkrova

Nekiskite rankų į veikiančią mašiną.

Naudojamas įstatomasis įrankis gali įkaisti.

**DĖMESIO!** Pavojus nusideginti

- keičiant įrankį
- padedant prietaisą

Draudžiama išiminti drožles ar nuopjovas, įrenginiui veikiant.

Sunaudotų keičiamų akumuliatorių nedeginkite ir nemeskite į buitines atliekas. AEG siūlo tausojančią aplinką sudėvėtų keičiamų akumuliatorių tvarkymą, apie tai teiraukitės prekybos atstovo.

Keičiamų akumuliatorių nelaikykite kartu su metaliniais daiktais (trumpojo jungimo pavojus).

Keičiamus GBS sistemos akumuliatorius kraukite tik „C18“ sistemos įkrovikliais. Nekraukite kitų sistemų akumuliatorių.

Į įkroviklių keičiamiems akumuliatoriams įstatymui skirtą vamzdį turi nepatekti jokios metalinės dalys (trumpojo jungimo pavojus).

Keičiamų akumuliatorių ir įkroviklių nelaikykite atvirai. Laikykite tik sausoje vietoje. Saugokite nuo drėgmės.

Ekstremalių apkrovų arba ekstremalios temperatūros poveikyje iš keičiamų akumuliatorių gali ištekėti akumuliatoriaus skystis. Išsitępus akumuliatoriaus skysčiui, tuoj pat nuplaukite vandeniu su muilu. Patekus į akis, tuoj pat ne trumpiau kaip 10 minučių gausiai skalaukite vandeniu ir tuoj pat kreipkitės į gydytoją.

**Įspėjimas!** Siekdami išvengti trumpojo jungimo sukeltą gaisro pavojų, sužalojimų arba produkto pažeidimų, nekiskite įrankio, keičiamo akumuliatoriaus arba įkroviklio į skysčius ir pasirūpinkite, kad į prietaisus arba akumuliatorius nepatektų jokių skysčių. Korozija sukeltas arba laidūs skysčiai, pvz., rūšis vanduo, tam tikri chemikalai ir balikliai arba produktai, kurių sudėtyje yra baliklių, gali sukelti trumpąjį jungimą.

#### CE ATITIKTIES PAREIŠKIMAS

Remiantis bendrais atsakomybės reikalavimais pareiškiam, jog skyrriuje „Techniniai duomenys“ aprašytas produktas atitinka visus toliau pateiktų juridinių direktyvų reikalavimus: 2011/65/EU (RoHS), 2014/30/ES, 2006/42/EB ir kitus su jomis susijusius norminius dokumentus:

EN 62841-1:2015

EN 62841-2-14:2015

EN 55014-1:2017

EN 55014-2:2015

EN IEC 63000:2018

Winnenden, 2019-26-02

*Alexander Krug*

Alexander Krug  
Managing Director

Įgaliotas parengti techninius dokumentus.



Teichtronic Industries GmbH

Max-Eyth-Straße 10

71364 Winnenden

Germany

#### NAUDOJIMAS PAGAL PASKIRTĮ

Oblius tinka paviršiams ir užkaičams obliuoti ir kraštams formuoti.

Šį prietaisą leidžiama naudoti tik pagal nurodytą paskirtį.

#### AKUMULIATORIAI

Ilgesnį laiką nenaudotus keičiamus akumuliatorius prieš naudojimą įkraukite.

Aukštesnė nei 50°C temperatūra mažina keičiamų akumuliatorių galią. Venkite ilgesnio saulės ar šilumos šaltinių poveikio.

Maitinimo prievado ir keičiamo akumuliatoriaus prijungimo kontaktus išlaikykite švarius.

Kad prietaisas kuo ilgiau veiktų, pasinaudoję juo, iki galo įkraukite akumuliatorius.

Siekiant užtikrinti kuo ilgesnį baterijos tarnavimo laiką, reikėtų ją po atlikto įkrovimo iškart išimti iš įkroviklio.

Bateriją laikant ilgiau nei 30 dienų, būtina atkreipti dėmesį į šias nuorodas: bateriją laikyti sausoje aplinkoje, esant apie 27 °C temperatūrai. Baterijos įkrovimo lygis turi būti nuo 30% iki 50%. Baterija pakartotinai turi būti įkraunama kas 6 mėnesius.

#### APSAUGA NUO AKUMULIATORIAUS PERKROVOS

Akumuliatorių blokas turi apsaugą nuo perkrovos, kuri leidžia išvengti perkrovų ir užtikrina jo eksploatacijos ilgaamžiškumą.

Esant didelėms apkrovoms, akumuliatoriaus elektroninė sistema prietaisą išjungia automatiškai. Kad prietaisas dirbtų toliau, reikia jį išjungti ir vėl įjungti. Jeigu prietaisas neįsijungia, esant galimybei, akumuliatoriaus komplektą reikia iškrauti ir įkroviklyje iš naujo įkrauti.

#### LIČIO JONŲ AKUMULIATORIŲ PERVEŽIMAS

Ličio jonų akumuliatoriams taikomos įstatyminės nuostatos dėl pavojingų krovinių pervežimų.

Šiuos akumuliatorius pervežti būtina laikantis vietinių, nacionalinių ir tarptautinių direktyvų ir nuostatų.

- Naudotojai šiuos akumuliatorius gali naudoti savo transporte be jokių kitų sąlygų.

- Už komercinį ličio jonų akumuliatorių pervežimą atsako ekspedicijos įmonė pagal nuostatas dėl pavojingų krovinių pervežimo. Pasiruošimo išsiųsti ir pervežimo darbus gali atlikti tik atitinkamai išmokyti asmenys. Visas procesas privalo būti prižiūrimas.

Pervežant akumuliatorius būtina laikytis šių punktų:

- Siekiant išvengti trumpųjų jungimų, įsitikinkite, kad kontaktai yra apsaugoti ir izoliuoti.
- Atkreipkite dėmesį, kad akumuliatorius pakuotės viduje neslidinėtų.
- Draudžiama pervežti pažeistus arba tekančius akumuliatorius. Dėl detalesnių nurodymų kreipkitės į savo ekspedicijos įmonę.

#### VALDYMAS

Nekiskite rankos į judančių peilių pavojaus zoną!

Uždėkite priekinę mašinos plokštę ant ruošinio ir, kol obliavimo peilis dar jo neličia, įjunkite mašiną. Tada tolygiai obliuokite ruošinio paviršius. Apsauginį švytuoklės gaubtą galima stumti tik ruošiniu arba svirtimi. V formos grioveliu priekinėje plokštėje galima saugiai formuoti kraštus. Jei naudojate peilius su drožliu lauzimo grioveliais, visada naudokite peilių poras su skirtingu griovelių skaičiumi.

#### TECHNINIS APTARNAVIMAS

Įrenginio vėdinimo angos visada turi būti švarios.

Uždėvėjęs drožlių išmetimo kanalą valykite terpentino pakeitale sudrėkintu skudurėliu.

Naudokite tik AEG priedus ir atsargines dalis. Dalis, kurių keitimas neaprašytas, leidžiama keisti tik AEG klientų aptarnavimo skyriams (žr. garantiją/klientų aptarnavimo skyrių adresus brošiūroje).

Esant poreikiui, nurodžius mašinos modelį ir šešiaženklį numerį, esantį ant specifikacijų lentelės, klientų aptarnavimo centre arba tiesiogiai „Teichtronic Industries GmbH“, Max-Eyth-Str. 10, 71364 Winnenden, Vokietija, galite užsakyti išplėstinį prietaiso brėžinį.

SIMBOLIAI	
	DĖMESIO! ĮSPĖJIMAS! PAVOJUS!
	Prieš atlikdami bet kokius darbus įrenginyje, išimkite keičiamą akumuliatorių.
	Prieš pradėdami dirbti su prietaisu, atidžiai perskaitykite jo naudojimo instrukciją.
	Lietojiet aizsardzības cimdus!
	Nešioti klausos apsaugines priemones!
	Dirbdami su įrenginiu visada nešioti apsauginius akinius.
	Priedas – neįeina į tiekimo komplektaciją, rekomenduojamas papildymas iš priedų asortimento.
	Elektros prietaisų, baterijų/akumuliatorių šalinti kartu su buitinėmis atliekomis negalima. Elektros prietaisus ir akumuliatorius reikia surinkti atskirai ir atiduoti perdirbimo įmonei, kad būtų pašalinti aplinkai saugiu būdu. Vietos valdžios institucijose arba specializuotose prekybos vietose pasidomėkite apie perdirbimo ir surinkimo centrus.
$n_0$	Sūkių skaičius laisva eiga
v	Įtampa
	Nuolatinė srovė
	Sukimosi kryptis
	Europos atitikties ženklas
	Ukrainos atitikties ženklas
	Eurazijos atitikties ženklas

TEHNILISED ANDMED	JUHTMETA HÖÖVELMASIN	BHO18BL
Tootmisnumber .....	4743 18 01... ...000001-999999	
Vahetatava aku pingeline .....	18 V	
Hööveldamislaius .....	82 mm	
Laastu sügavus max .....	2,0 mm	
Valtsi sügavus .....	12,5 mm	
Pöörlemiskiirus tühjooksul .....	14300 min <sup>-1</sup>	
Kaal vastavalt EPTA-protseduurile 01/2014 (1,5 Ah - 9,0 Ah) .....	3,1 - 3,8 kg	
Soovitulisk ümbrisev temperatuur töötamise ajal .....	-18... +50 °C	
Soovitulisliik akutuübid .....	L 1815R ... L1890RHD	
Soovitulisliik laadija .....	BL1418	

#### Müra/vibratsiooni andmed

Mõõteväärtused on kindlaks tehtud vastavalt normile EN 62841.

Seadme tüüpiline hinnanguline (müratase):

Helirõhutase (Määramatus K=3dB(A)) ..... 89,5 dB (A)

Helivõimsuse tase (Määramatus K=3dB(A)) ..... 100,5 dB (A)

#### Kandke kaitseks kõrvaklappe!

Vibratsiooni koguväärtus (kolme suuna vektorsumma) mõõdetud EN

62841 järgi.

Vibratsiooni emissiooni väärtus  $a_h$  ..... 3,4 m/s<sup>2</sup>

Määramatus K= ..... 1,5 m/s<sup>2</sup>

#### TÄHELEPANU!

Sellel teabelehel toodud vibratsiooni- ja müraemissioon on mõõdetud standardis EN 62841 kirjeldatud standarditud testiga ning seda võib kasutada tööriistade omavaheliseks võrdlemiseks. Testi võib kasutada kokkupuute esialgseks hindamiseks.

Deklareeritud vibratsiooni- ja müraemissioonid on määratud põhikatsutust. Kui tööriista kasutatakse muuks otstarbeks, teistsuguste tarvikutega või tööriista hooldatakse halvasti, võivad vibratsioon ja müraemissioon erineda. See võib kokkupuutetaset kogu tööajal oluliselt suurendada.

Vibratsiooni ja müraaga kokkupuute hinnangulise taseme juures tuleb arvesse võtta ka aega, kui tööriist on välja lülitatud või töötab, kuid sellega ei tehta tööd. See võib kokkupuutetaset kogu tööaja kohta oluliselt vähendada.

Tehke kindlaks täiendavad ohutusmeetmed operaatori kaitsmiseks vibratsiooni ja/või müra eest, näiteks: hooldage tööriista ja tarvikuid, hoidke käed soojas, vaadake üle töökorraldus.

**⚠ TÄHELEPANU! Kõik selle elektrilise tööriistaga kaasasolevad ohutusnõuded, juhised, joonised ja spetsifikatsioonid tuleb läbi lugeda.** Kõigi allpool loetletud juhiste eiramise tagajärjeks võib olla elektrilöökk, tulekahju ja/või raskek vigastused. **Hoidke kõik ohutusnõuded ja juhised edasiseks kasutamiseks hoolikalt alles.**

#### ⚠ HÖÖVLITE OHUTUSJUHISED

**Oodake, kuni lõiketera on peatunud, enne kui Te tööriista käest panete.** Avatud ja pöörlev lõiketera võib kahjustada pealispindu ning põhjustada tööriista üle võimaliku kontrolli kaotamise ja raskete vigastuste tekke!

**Töö kinnitamiseks stabiilsele platvormile, kasuta klambreid või leia selleks mingi muu praktiline viis.** Hoides tööd käega või vastu keha võib olla ebastabiilne ja võib põhjustada kontrolli kaotust.

#### ⚠ EDASISED OHUTUS- JA TÖÖJUHISED

Masinaga töötades kandke alati kaitseprille. Soovitatavad on kaitsekindad, tugevad ja libisemiskindlad jalanõud ning põll.

Kasutage tingimata masina kaitseseadist.

Hööveldada ainult teravate nugaodega ning mitte üle metalli (naelte, kruvide).

Ärge pange kätt töötavate terade ohupiirkonda!

Töö ajal tekkinud tolm on sageli tervistkahjustav ning ei tohiks sattuda organismi. Kanda sobivat kaitsemaski.

Töödelda ei tohi materjale, millest lähtub oht nervingele (nt asbest).

Palun lülitage seade rakendustööriista blokeerumise korral kohe välja!

Ärge lülitage seadet sisse tagasi, kuni rakendustööriist on blokeeritud; seejuures võib kõrge reaktsioonimomendiga tagasilöökk tekkida. Tehke ohutusjuhiseid arvesse võttes kindlaks ja kõrvaldage rakendustööriista blokeerumise põhjus.

Selle võimalikeks põhjusteks võivad olla:

- viilt asetumine töödeldavas toorikus
- töödeldava materjali läbimurdumine
- elektritööriista ülekoormamine

Ärge sisestage jässeid töötavasse masinasse.

Rakendustööriist võib kasutamise ajal kuumaks minna.

#### TÄHELEPANU! Põletusohu

- tööriista vahetamisel
- seadme ärapanemisel

Puru ega pilpaid ei tohi eemaldada masina töötamise ajal.

#### KASUTAMINE VASTAVALT OTSTARBELE

Höövel on ette nähtud pindade hõõveldamiseks, valtsihõõveldamiseks ja faasimiseks.

Antud seadet tohib kasutada ainult vastavalt äranäidatud otstarbele.

#### AKUD

Pikemat aega mittekasutatud akusid laadige veel enne kasutamist. Temperatuur üle 50 °C vähendab vahetatava aku töövoimet. Vältige pikemat soojenemist päikese või kütteseadme mõjul.

Hoidke toitesidendi kontaktid ja akud puhtana.

Optimaalse patareie eluea tagamiseks, pärast kasutamist lae patareid plakk täielikult.

Akud tuleks võimalikult pika kasutusea saavutamiseks pärast täislaadimist laadida välja võtta.

Aku ladustamisel üle 30 päeva:

Ladustage akut kuivas kohas u 27°C juures.

Ladustage akut u 30-50% laetusseisundis.

Laadige aku iga 6 kuu tagant täis.

#### AKU KOORMUSKAITSE

Akuplokk on varustatud koormuskaitsega, mis kaitseb akut üleliigse koormuse eest ning kindlustab selle pika eluea.

Äärmiselt suurest koormusest annab märku vilkuv töötlü. Kui koormust ei vähendata, siis lülitab masin ennast automaatselt välja. Edasi töötamiseks tuleb masin välja ja uuesti sisse lülitada. Kui masin ei lähe uuesti tööle on akuplokk nähtavasti tühi ja tuleks laadimiseseadmega uuesti täis laadida.

#### LIITIUMIOONAKUDE TRANSPORTIMINE

Liitiumioonakud on allutatud ohtlike ainete transportimise seadustele.

Nende akude transportimise peab toimuma kohalikest, siseriiklikest ja rahvusvahelistest eeskirjadest ning määrustest kinni pidades.

- Tarbijad tohivad neid akusid edasiste piiranguteta tänaval transportida.
- Liitiumioonakude komertstransport ekspedeerimisettevõtte kaudu on allutatud ohtlike ainete transportimise seadustele õigusaktidele. Tame-ettevalmistusi ja transporti tohivad teostada eranditult vastavalt koolitatud isikud. Kogu protsessi tuleb asjatundlikult jälgida.

Akude transportimisel tuleb järgida järgmisi punkte:

- Tehke kindlaks, et kontaktid on lühiste vältimiseks kaitstud ja isoleeritud.
- Pöörake tähelepanu sellele, et akupakk ei saaks pakendis nihkuda.
- Kahjustatud või välja voolanud akusid ei tohi kasutada. Pöörduge edasiste juhiste saamiseks ekspedeerimisettevõtte poole.

#### KÄSITSEMINEN

Ärge pange kätt töötavate terade ohupiirkonda!

Asetada masin eesmise tugiplaadiga materjalile ja lülitage enne sisse, kui noad puudutavad materjali ning juhtida siis ühtlaselt üle materjali.

Pendelkaitsekate tohib üles tõsta ainult materjali või hoova abil.

V-soon eesmises tugiplaadis lihtsustab faasimist.

Laasturdmissoonitega hõõvliiterade kasutamisel rakendage alati erineva soonte arvuga teraapare.

#### HOOLDUS

Hoidke masina õhutuspidul alati puhtad.

Vaigu määrdundu laastuväljutit puhastage täpntini aseaineses kasutatud lapiga.

Kasutage ainult AEG tarvikuid ja tagavaraosi. Detailid, mille väljavahetamist pole kirjeldatud, laske välja vahetada AEG klienditeeninduspunkti (vaadake brošüüri garantii / klienditeeninduste aadressid).

Vajadusel saab nõuda seadme plahvatusjoonise võimsussildil oleva masinatüübi ja kuuekohalise numbrilise klienditeeninduspunkti või vahetult firmalt Techtronic Industries GmbH, Max-Eyth-Straße 10, 71364 Winnenden, Germany.

#### SÜMBOLID

	ETTEVAATUST! TÄHELEPANU! OHUD!
	Enne kõiki töid masina kallal võtke vahetatav aku välja.
	Palun lugege enne käikluskimist kasutamisejuhend hoolikalt läbi.
	Kanda kaitsekindaid!
	Kandke kaitseks kõrvaklappe!
	Masinaga töötades kandke alati kaitseprille.
	Tarvikud - ei kuulu tarne komplekti, soovitatav täiendus on saadaval tarvikute programmis.
	Elektriseadmeid, patareid/akusid ei tohi ülitseerida koos majapidamisprügiga. Elektriseadmed ja akud tuleb eraldi kokku koguda ning kõrvaldada keskkonnasõbralikul moel töötlemiskeskusesse. Küsige infot jäätmeäritusajamade ja kogumispunkti kohta oma kohalike ametnike või edasimüüja käest.
$n_0$	Pöörlemiskiirus tühjooksul
V	Pinge
	Alalisvool
	Pöörlemis-suund
	Euroopa vastavusmärk
	Ukraina vastavusmärk
	Euraasia vastavusmärk

Ärge visake tarvitatud vahetatavaid akusid tulle ega olmeprügisse. AEG pakub vanade akude keskkonnahoidlikku käitlust; palun küsige oma erialaselt tarnijat.

Ärge säilitage vahetatavaid akusid koos metalliesemetega (lühiseoht).

Laadige süsteemi GBS vahetatavaid akusid ainult süsteemi GBS laadijatega. Ärge laadige nendega teiste süsteemide akusid.

Laadijal olevasse vahetatava aku ühenduskambris ei tohi sattuda metalli (lühiseoht).

Ärge avage vahetatavaid akusid ega laadijaid ning ladustage neid ainult kuivades ruumides. Kaitse niiskuse eest.

Äärmuslikul koormusel või äärmuslikul temperatuuril võib kahjustatud vahetatavast akust akudevili välja voolata. Akudevilikuga kokkupuutumise korral peske kohe vee ja seebiga. Silma sattumise korral loputage kiiresti põhjalikult vähemalt 10 minutit ning pöörduge viivitamatult arsti poole.

**Hoiatus!** Lühisest põhjustatud tuleohtu, vigastuste või toote kahjustuste vältimiseks ärge kastke tööriista, vahetusakut ega laadimiseseadet vedelikku ning jälgige, et vedelike ei tungiks seadmesse ega akusse. Korrodeeruvad või elektrit juhtivad vedelikud, nagu soolvesi, teatud kemikaalid ja pleegitusained või pleegitusained sisaldavad toote, võivad põhjustada lühist.

#### EÜ VASTAVUSAVALDUS

Me deklareerime ainuisikuliselt vastutades, et lõigus „Tehnilised andmed“ kirjeldatud toode vastab direktiivide 2011/65/EU (RoHS), 2014/30/EU, 2006/42/EU kõigile olulisele tähtsusega eeskirjadele ning järgmistele harmoneeritud normatiivsetele dokumentidele:

EN 62841-1:2015

EN 62841-2-14:2015

EN 55014-1:2017

EN 55014-2:2015

EN IEC 63000:2018

Winnenden, 2019-26-02

Alexander Krug

Managing Director

On volitatud koostama tehnilist dokumentatsiooni.

Techtronic Industries GmbH

Max-Eyth-Straße 10

71364 Winnenden

Germany





ТЕХНИЧЕСКИЕ ДАННЫЕ	АКК. РУБАНОК	ВНО18ВL
Серийный номер изделия.....	4743 18 01...	...000001-999999
Вольтаж аккумулятора.....	18 V	
Ширина обработки.....	82 mm	
Глубина обработки макс.....	2,0 mm	
Ширина фальцевания.....	12,5 mm	
Число оборотов без нагрузки.....	14300 min <sup>-1</sup>	
Вес согласно процедуре EPTA 01/2014 (1,5 Ah - 9,0 Ah).....	3,1 - 3,8 kg	
Рекомендованная температура окружающей среды во время работы.....	-18... +50 °C	
Рекомендованные типы аккумуляторных блоков.....	L1815R ... L1890RHD	
Рекомендованные зарядные устройства.....	BL1418	

#### Информация по шумам/вибрации

Значения замерялись в соответствии со стандартом EN 62841.

Уровень шума прибора, определенный по показателю A, обычно составляет:

Уровень звукового давления (Небезопасность K=3dB(A)).....	89,5 dB (A)
Уровень звуковой мощности (Небезопасность K=3dB(A)).....	100,5 dB (A)

#### Пользуйтесь приспособлениями для защиты слуха.

Общие значения вибрации (векторная сумма трех направлений) определены в соответствии с EN 62841.

Значение вибрационной эмиссии a <sub>w</sub> .....	3,4 m/s <sup>2</sup>
Небезопасность K=.....	1,5 m/s <sup>2</sup>

#### ВНИМАНИЕ!

Заявленные значения вибрации и шумового излучения, указанные в настоящем информационном листе, были измерены согласно стандартизованному методу испытания согласно EN 62841 и могут использоваться для сравнения одного инструмента с другим. Они могут применяться для предварительной оценки воздействия на организм человека.

Указанные значения вибрации и шумового излучения действительны для основных областей применения инструмента. Однако если инструмент используется в других областях применения или с другими принадлежностями либо проходит ненадлежащее обслуживание, значения вибрации и шумового излучения могут отличаться. Это может существенно увеличить уровень воздействия на организм на протяжении общего периода работы.

При оценке уровня воздействия вибрации и шумового излучения на организм также необходимо учитывать периоды, когда инструмент выключен, или когда он работает, но фактически не используется для выполнения работы. Это может существенно сократить уровень воздействия на организм на протяжении общего периода работы.

Определите дополнительные меры для защиты оператора от воздействия вибрации и/или шума, такие как обслуживание инструмента и его принадлежностей, сохранение рук в тепле, организация графиков работы.

**⚠ ВНИМАНИЕ! Ознакомьтесь со всеми предупреждениями относительно безопасного использования, инструкциями, иллюстративным материалом и техническими характеристиками, поставляемыми с этим электроинструментом.** Несоблюдение всех нижеследующих инструкций может привести к поражению электрическим током, пожару и/или тяжелым травмам. **Сохраняйте эти инструкции и указания для будущего использования.**

#### ⚠ УКАЗАНИЯ ПО БЕЗОПАСНОСТИ ДЛЯ ЗАЩИСТНЫХ УСТРОЙСТВ

**Прежде чем отключить инструмент, подождите, пока остановится разделительное устройство.** Открыто лежащее, вращающееся разделительное устройство может оказать воздействие на поверхность и привести к возможной потере контроля и к тяжелым повреждениям!

**Используйте струбцину или другие целесообразные вспомогательные средства, чтобы закрепить обрабатываемое изделие на устойчивой основе.** Если вы держите обрабатываемое изделие в руке или прижимаете его корпусом, оно может сдвинуться, что приведет к потере контроля.

#### ⚠ ДОПОЛНИТЕЛЬНЫЕ УКАЗАНИЯ ПО БЕЗОПАСНОСТИ И РАБОТЕ

При работе с инструментом всегда надевайте защитные очки. Рекомендуется надевать перчатки, прочные нескользящие ботинки и фару.

Всегда пользуйтесь защитной крышкой на инструменте.

Строгание должно производиться только острыми ножами и не по металлу (гвозди, винты).

Никогда не приближайте руки к опасной зоне при включенном рубанке.

Пыль, возникающая при работе данным инструментом, может нанести вред здоровью. Не следует допускать её попадания в организм. Надевайте противопылевую респиратор.

Запрещается обрабатывать материалы, которые могут нанести вред здоровью (напр., асбест).

При блокировании используемого инструмента немедленно выключить прибор! Не включайте прибор до тех пор, пока используемый инструмент заблокирован, в противном случае может возникнуть отдача с высоким реактивным моментом. Определите и устраните причину блокирования используемого инструмента с учетом указаний по безопасности.

Возможными причинами могут быть:

- перекос заготовки, подлежащей обработке
- разрушение материала, подлежащего обработке
- перегрузка электроинструмента

Не прикасаться к работающему станку.

Используемый инструмент может нагреваться во время применения.

**ВНИМАНИЕ!** Опасность получения ожога

Winnenden, 2019-26-02

*Alexander Krug*

Alexander Krug  
Managing Director



Уполномочен на составление технической документации.

Techtronic Industries GmbH  
Max-Eyth-Straße 10  
71364 Winnenden  
Germany

#### ИСПОЛЬЗОВАНИЕ

Строгальный инструмент годится для строгания поверхностей и выбирания четверти паза, а также для снятия фасок на кромок.

Не пользуйтесь данным инструментом способом, отличным от указанного для нормального применения.

#### АККУМУЛЯТОР

Перед использованием аккумулятора, которым не пользовались некоторое время, его необходимо зарядить.

Температура свыше 50°C снижает работоспособность аккумуляторов. Избегайте продолжительного нагрева или прямого солнечного света (риск перегрева).

Контакты подключения сетевого порта и аккумулятора держат чистыми.

Для обеспечения оптимального срока службы аккумулятор необходимо полностью заряжать после использования прибора.

Для достижения максимально возможного срока службы аккумуляторы после зарядки следует вынимать из зарядного устройства.

При хранении аккумулятора более 30 дней:

Храните аккумулятор при 27°C в сухом месте.  
Храните аккумулятор с зарядом примерно 30% - 50%.  
Каждые 6 месяцев аккумулятор следует заряжать.

#### ЗАЩИТА АККУМУЛЯТОРА ОТ ПЕРЕГРУЗКИ

Аккумуляторный блок оснащен предохранителем от перегрузки, который защищает аккумулятор от перегрузки и обеспечивает долгий срок службы.

При чрезмерно сильных нагрузках электроника аккумулятора автоматически отключит машину. Для продолжения работы машину выключить и снова включить. Если машина не включается, то, возможно, разрядился аккумуляторный блок и следует зарядить его в зарядном устройстве.

Литий-ионные аккумуляторы в соответствии с предписаниями закона транспортируются как опасные грузы.

Транспортировка этих аккумуляторов должна осуществляться с соблюдением местных, национальных и международных предписаний и положений.

• Эти аккумуляторы могут перевозиться по улице потребителем без дальнейших обязательств.

• При коммерческой транспортировке литий-ионных аккумуляторов экспедиторскими компаниями действуют положения, касающиеся транспортировки опасных грузов. Подготовка к отправке и транспортировка должны производиться исключительно специально обученными лицами. Весь процесс должен находиться под контролем специалиста.

При транспортировке аккумуляторов необходимо соблюдать следующие пункты:

• Убедитесь, что контакты защищены и изолированы во избежание короткого замыкания.

• Следите за тем, чтобы аккумуляторный блок не соскользнул внутри упаковки.

• Транспортировка поврежденных или протекающих аккумуляторов запрещена. За дополнительными указаниями обратитесь к своему экспедитору.

#### ЭКСПЛУАТАЦИЯ

Никогда не приближайте руки к опасной зоне при включенном рубанке.

Машину следует установить передней пластиной на изделие и включить, прежде чем строгальный нож коснется изделия, и затем направлять равномерно вдоль изделия. Мягкий защитный кожух должен приводиться в действие только с помощью изделия или рукояткой.

V-образный паз в передней опорной пластине способствует надежному снятию фасок на кромок.

При использовании лезвий с проточками всегда используйте два лезвия с различным числом канавок.

#### ОБСЛУЖИВАНИЕ

Всегда держите охлаждающие отверстия чистыми.

Если устройство отвода опилок покрывается смолой, удалите смолу тряпкой, смоченной в скипидаре.

Пользуйтесь аксессуарамми и запасными частями только фирмы AEG. В случае возникновения необходимости в замене, которая не была описана, пожалуйста,

обращайтесь на один из сервисных центров (см. список наших гарантийных/сервисных организаций).

При необходимости, у сервисной службы или непосредственно у фирмы Techtronic Industries GmbH, Max-Eyth-Straße 10, 71364, Винненден, Германия, можно запросить сборочный чертеж устройства, сообщив его тип и шестизначный номер, указанный на фирменной табличке.

#### СИМВОЛЫ

	ВНИМАНИЕ! ПРЕДУПРЕЖДЕНИЕ! ОПАСНОСТЬ!
	Выньте аккумулятор из машины перед проведением с ней каких-либо манипуляций.
	Пожалуйста, внимательно прочтите инструкцию по использованию перед началом любых операций с инструментом.
	Надевать защитные перчатки!
	Пользуйтесь приспособлениями для защиты слуха.
	При работе с инструментом всегда надевайте защитные очки.
	Принадлежности - В стандартную комплектацию не входит, поставляется в качестве дополнительной принадлежности.
	Электроприборы, батареи/аккумуляторы запрещено утилизировать вместе с бытовым мусором. Электрические приборы и аккумуляторы следует собирать отдельно и сдавать в специализированную компанию для утилизации в соответствии с нормами охраны окружающей среды. Получите в местных органах власти или у вашего специализированного дилера сведения о центрах вторичной переработки и пунктах сбора.
	Число оборотов без нагрузки
	Напряжение
	Постоянный ток
	Направление вращения
	Европейский знак соответствия
	Украинский знак соответствия
	Евразийский знак соответствия

ТЕХНИЧЕСКИ ДАННИ	АКУМУЛАТОРЕН ХОБЕЛ	ВНО18ВL
Производствен номер.....	4743 18 01... ...000001-999999	
Напрежение на акумулатора.....	18 V	
Ширина на рендосване.....	82 mm	
Дълбочина на рендосване макс.....	2.0 mm	
Дълбочина на фалца.....	12.5 mm	
Обороти на празен ход.....	14300 min <sup>-1</sup>	
Тегло съгласно процедурата ЕРТА 01/2014 (1,5 Ah - 9,0 Ah).....	3,1 - 3,8 kg	
Препоръчителна околна температура при работа.....	-18... +50 °C	
Препоръчителни видове акумулаторни батерии.....	L 1815R ... L 1890RHD	
Препоръчителни зарядни устройства.....	BL1418	

#### Информация за шума/вибрациите

Измерените стойности са получени съобразно EN 62841.

Оцененото с А ниво на шума на уреда е съответно:

Равнище на звуковото налягане (Несигурност K=3dB(A)) ..... 89,5 dB (A)

Равнище на мощността на звука (Несигурност K=3dB(A)) ..... 100,5 dB (A)

#### Да се носи предпазно средство за слуха!

Общите стойности на вибрациите (векторна сума на три посоки) са

определени в съответствие с EN 62841.

Стойност на емисии на вибрациите a<sub>w</sub>..... 3,4 m/s<sup>2</sup>

Несигурност K= ..... 1,5 m/s<sup>2</sup>

#### ВНИМАНИЕ!

Посочените в настоящия информационен лист нива на вибрации и шумови емисии са измерени в съответствие със стандартизирано изпитване, предоставено в EN 62841, и могат да се използват за сравняване на един инструмент с друг. Те може също така да се използват и за предварителна оценка на излагането на вредни въздействия.

Декларираните нива на вибрации и шумови емисии се отнасят за основните приложения на инструмента. Ако обаче инструментът се използва за други приложения, с други приспособления или не се поддържа добре, нивата на вибрации и шумови емисии могат да са различни. Това може значително да повиши нивото на излагане на вредни въздействия за общата продължителност на работата.

При оценка на нивото на излагане на въздействието на вибрации и шум следва също така да се вземе предвид времето, през което инструментът е изключен или през което е включен, но не се използва. Това може значително да понижи нивото на излагане на вредни въздействия за общата продължителност на работата.

Определете допълнителни мерки за безопасност за защита на оператора от въздействието на вибрациите и/или шума, като например поддръжка на инструмента и приспособленията, поддържането на топлината на ръцете и организацията на работата.

**⚠ ВНИМАНИЕ!** Прочетете всички указания за безопасност, инструкции, илюстрации и спецификации за този електроинструмент. Пропуските при спазване на приведените по-долу указания могат да доведат до токов удар, пожар и/или тежки травми.  
**Запазете тези инструкции и указания за безопасност за бъдещи справки.**

#### ⚠ ИНСТРУКЦИИ ЗА БЕЗОПАСНОСТ ЗА АБРИХТИ.

Изчакайте, докато сепараторът спре преди да оставите инструмента. Откритият, въртящ се сепаратор може да въздейства на повърхността и да доведе до загуба на контрола и до тежки наранявания!

Използвайте резбови стъги или други практически спомагателни средства, за да закрепите детайла върху стабилна основа. Ако детайлът се държи с ръка или подпират с тяло, то той може да се измести и това да доведе до загуба на контрол.

#### ⚠ ДОПЪЛНИТЕЛНИ УКАЗАНИЯ ЗА РАБОТА И БЕЗОПАСНОСТ

При работа с машината винаги носете предпазни очила. Препоръчват се също така предпазни ръкавици, здрави и нехлъзгащи се обувки, както и престилка.

Предпазните устройства на машината да се използват задължително.

Да се рендосва само с остри ножове и никога по метал (пирони, винтове).

Не бъркайте в опасната зона на движещия се нож!

Прахът, който се образува при работа, често е вреден за здравето и не бива да попада в тялото. Да се носи подходяща преходна защитна маска.

Не е разрешена обработката на материали, които представляват опасност за здравето (напр. азбест).

Ако използваният инструмент блокира, изключете веднага уреда! Не включвайте уреда отново, докато използвания инструмент е блокиран; това би могло да доведе до откат с висока реактивна сила. Открийте и отстранете причината за блокирането на използвания инструмент и/или в предвид инструкциите за безопасност.

Възможните причини за това могат да бъдат:

- Закливане в обработваната част
- Пробиване на материала
- Пренатоварване на електрическия инструмент

Не бъркайте в машината, докато тя работи.

Използваният инструмент може да загрее по време на употреба.

#### ВНИМАНИЕ!

Опасност от изгаряния

- при смяна на инструмента
- при оставяне на уреда

Стружки или отчупени парчета да не се отстраняват, докато машина работи.

Techtronic Industries GmbH  
Max-Eyth-Straße 10  
71364 Winnenden  
Germany

#### ИЗПОЛЗВАНЕ ПО ПРЕДНАЗНАЧЕНИЕ

Рендето е подходящо за рендосване на повърхности, надлъжно стъргане на жлеbove и за скосяване на ръбове.

Този уред може да се използва по предназначение само както е посочено.

#### АКУМУЛАТОРИ

Акумулатори, които не са ползвани по-дълго време, преди употреба да се дозаредят.

Температура над 50°C намалява мощността на акумулатора. Да се избягва по-продължително нагряване на слънце или от отопление.

Поддържайте контактните букси на захранващия порт и на батерията в чисто състояние.

За оптимална продължителност на живот след употреба батериите трябва да се заредят напълно.

За възможно по-дълга продължителност на живот батериите трябва да се изваждат от уреда след зареждане.

При съхранение на батериите за повече от 30 дни: съхранявайте батерията при прилб. 27°C и на сухо място. Съхранявайте батерията при 30 до 50 % от заряда. Заредяйте батерията на всеки 6 месеца.

#### ЗАЩИТА ОТ ПРЕТОВАРВАНЕ НА БАТЕРИЯТА

Акумулаторният пакет е оборудван със защита против претоварване, която защитава акумулатора от претоварване и гарантира дълъг експлоатационен живот.

При извънредно силно натоварване електрониката на акумулатора автоматично изключва машината. За продължаване на работата изключете и отново включете машината. Ако машината не може да се пусне наново, може би акумулаторният пакет е разреден и трябва отново да се зареди в зарядното устройство.

#### ПРЕВОЗ НА ЛИТИЕВО-ЙОННИ БАТЕРИИ

Литиево-йонните батерии са предмет на законовите разпоредби за превоз на опасни товари.

Превозът на тези батерии трябва да се извършва в съответствие с местните, националните и международните разпоредби и регламенти.

• Потребителите могат да превозват тези батерии по пътя без допълнителни изисквания.

• Превозът на литиево-йонни батерии от транспортни компании е предмет на законовите разпоредбите за превоз на опасни товари. Подготовката на превоза и самият превоз трябва да се извършват само от обучени лица. Целият процес трябва да е под професионален надзор.

Спазвайте следните изисквания при превоз на батерии:

• Уверете се, че контактите са защитени и изолирани, за да се избегне късо съединение.

• Уверете се, че няма опасност от разместване на батерията в опаковката.

• Не превозвайте повредени батерии или такива с течове.

Обърнете се към Вашата транспортна компания за допълнителни инструкции.

#### РАБОТА С УРЕДА

Не бъркайте в опасната зона на движещия се нож!

Поставете машината с предния плот върху работния детайл и я включете, преди ножовете на рендето да докоснат детайла, след това водете равномерно по детайла.

Подвижният предпазител може да се задейства само чрез работния детайл или с рендето.

V-образният жлеб в предния опорен плот позволява сигурно скосяване на ръбове.

При използване на ножове за рендета с разсекатели на стружките винаги да се използват двойки ножове с различен брой на жлебовите.

#### ПОДДРЪЖКА

Вентилационните шлицы на машината да се поддържат винаги чисти.

Ако устройството за изхвърляните стружките се замърси със смола, почистете с кърпа, напоена с терпентинов заместител.

Да се използват само аксесоари на AEG и резервни части на. Елементи, чията подмяна не е описана, да се дадат за подмяна в сервис на AEG (вижте брошурата „Гаранция и адреси на сервиси“).

При необходимост можете да поискате схема на елементите на уреда при посочване на обозначение на машината и шестцифрения номер на табелката за технически данни от Вашия сервис или директно на Techtronic Industries GmbH, Max-Eyth-Straße 10, 71364 Winnenden, Германия.

СИМВОЛИ	
	ВНИМАНИЕ! ПРЕДУПРЕЖДЕНИЕ! ОПАСНОСТ
	Преди започване на каквито е да е работи по машината извадете акумулатора.
	Преди пускане на уреда в действие моля прочетете внимателно инструкцията за използване.
	Да се носят предпазни ръкавици!
	Да се носи предпазно средство за слуха!
	При работа с машината винаги носете предпазни очила.
	Аксесоари - Не се съдържат в обема на доставката, препоръчвано допълнение от програмата за аксесоари.
	Електрическите уреди, батерии/акумулаторни батерии не трябва да се изхвърлят заедно с битовите отпадъци. Електрическите уреди и акумулаторни батерии трябва да се събират отделно и да се предават на службите за рециклиране на отпадъците според изискванията за опазване на околната среда. Информирайте се при местните служби или при местните специализирани търговци относно местата за събиране и центровете за рециклиране на отпадъци.
	Обороти на празен ход
	Напрежение
	Постоянен ток
	Посока на въртене
	Европейски знак за съответствие
	Украински знак за съответствие
	Евро-азиатски знак за съответствие

DATE TEHNICE	RINDEA CU ACUMULATOR	BHO18BL
Număr producție .....	4743 18 01...	000001-999999
Tensiune acumulator .....	18 V	
Lațime de rindeluire .....	82 mm	
Adâncime de frezare max.....	2,0 mm	
Adâncime de fălțuit .....	12,5 mm	
Viteza de mers în gol .....	14300 min <sup>-1</sup>	
Greutatea conform „EPTA procedură 01/2014 (1,5 Ah - 9,0 Ah) .....	3,1 - 3,8 kg	
Temperatura ambiantă recomandată la efectuarea lucrărilor .....	-18... +50 °C	
Accumulatori recomandați.....	L 1815R ... L 1890RHD	
Încărcătoare recomandate.....	BL1418	

#### Informație privind zgomotul/vibrațiile

Valori măsurate determinate conform EN 62841.

Nivelul de zgomot evaluat cu A al aparatului este tipic de:

Nivelul presiunii sonore (Nesiguranță K=3dB(A))..... 89,5 dB (A)

Nivelul sunetului (Nesiguranță K=3dB(A))..... 100,5 dB (A)

#### Purtați căști de protecție

Valorile totale de oscilație (suma vectorială pe trei direcții) determinate conform

normei EN 62841.

Valoarea emisiiei de oscilații a<sub>w</sub>..... 3,4 m/s<sup>2</sup>

Nesiguranță K= ..... 1,5 m/s<sup>2</sup>

#### AVERTISMENT!

Nivelul vibrației și emisiiei de zgomot indicat în această fișă informativă a fost măsurat în conformitate cu o metodă standard de testare specificată în EN 62841 și se poate utiliza pentru a compara dispozitivele între ele. Aceste se poate utiliza și într-o evaluare preliminară a expunerii.

Nivelul declarat al vibrației și emisiiei sonore reprezintă principalele aplicații ale dispozitivului. Cu toate acestea, dacă dispozitivul este utilizat pentru aplicații diferite, cu accesorii diferite sau întreținute necorespunzător, emisia de vibrații și zgomote poate diferi. Acest lucru poate crește semnificativ nivelul expunerii pe întreaga perioadă de lucru.

O estimare a nivelului de expunere la vibrații și zgomot ar trebui să țină cont și de momentele în care dispozitivul este oprit sau când funcționează, dar nu realizează de fapt nicio lucrare. Acest lucru poate reduce semnificativ nivelul expunerii pe întreaga perioadă de lucru.

Identificați măsuri de siguranță suplimentare pentru a proteja operatorul de efectele vibrațiilor și/sau zgomotului, cum ar fi: întreținerea dispozitivului și a accesoriilor, menținerea caldă a mâinilor, organizarea modelelor de lucru.

**AVERTISMENT A se citi toate avertismentele, instrucțiunile, ilustrațiile și specificațiile privind siguranța furnizate cu această unealtă electrică.** Nerespectarea tuturor instrucțiunilor listate mai jos poate cauza șocuri electrice, incendii și/sau vătămări corporale grave.  
**Păstrați toate indicațiile de avertizare și instrucțiunile în vederea utilizării viitoare.**

#### INDICAȚII DE SIGURANȚĂ PENTRU RINDEA

**Așteptați până când dispozitivul de tăiere s-a oprit înainte de a depune scula jos.** Un dispozitiv de tăiere expus, care se rotește, ar putea afecta suprafața și ar putea duce la pierderea controlului și răniri grave!

**Folosiți menghine sau alte mijloace ajutoare practice în vederea fixării piesei de prelucrat pe un suport stabil.** Dacă piesa este ținută cu mâna sau rezemată prin contraacțiune cu corpul, ea poate aluneca din poziția de lucru, pierzându-se controlul asupra ei.

#### INSTRUCȚIUNI SUPLIMENTARE DE SIGURANȚĂ ȘI DE LUCRU

Purtați întotdeauna ochelari de protecție atunci când utilizați mașina. Se recomandă purtarea mănușilor, a încălțămintei solide nealunecoase și sortului de protecție.

Întotdeauna utilizați ecranele de protecție ale mașinii.

Rindelulți numai cu lame ascuțite și evitați metalele (cui, șuruburi).

Nu intrați niciodată în zona de pericol a rindelei când este în funcțiune.

Praful care apare când se lucrează cu această sculă poate fi dăunător sănătății și prin urmare nu trebuie să atingă corpul. Purtați o mască de protecție corespunzătoare împotriva prafului.

Nu se admite prelucrarea unui material care poate pune în pericol sănătatea operatorului (de exemplu azbestul).

La blocarea sculei demontabile vă rugăm să deconectați imediat aparatul! Nu conectați aparatul atâta timp cât scula demontabilă este blocată; dacă o faceți, s-ar putea să se producă un recul cu un cuplu mare de reacție. Găsiți și remediați cauza de blocare a sculei demontabile respectând indicațiile pentru siguranță.

Cauzele posibile pot fi:

- Agățarea în piesa de prelucrat
- Strângerea materialului de prelucrat
- Suprasolicitarea sculei electrice

Nu atingeți părțile mașinii aflate în rotație.

Scula introdusă poate să devină fierbinte în timpul utilizării.

#### AVERTISMENT! Pericol de arsuri

- la schimbarea sculei
- la depunerea aparatului

Rumeșul și spanul nu trebuie îndepărtate în timpul funcționării mașinii.

#### CONDIȚII DE UTILIZARE SPECIFICATE

Mașina de rindeluit / frezat poate rindelui suprafețe și șanțuri și poate țeși și sanfrana muchi.

Nu utilizați acest produs în alt mod decât cel stabilit pentru utilizare normală

#### ACUMULATORI

Accumulatorii care nu au fost utilizați o perioadă de timp trebuie reîncărcați înainte de utilizare

Temperatura mai mare de 50°C (122°F) reduce performanța acumulatorului.

Evitați expunerea prelungită la căldură sau radiație solară (ris de supraîncălzire)

Mențineți curate contactele de conectare de la powerport și de la bateria de schimb.

În scopul optimizării duratei de funcționare, bateriile trebuie reîncărcate complet după utilizare.

Pentru o durată de viață cât mai lungă, acumulatorii ar trebui scoși din încărcător după încărcare.

La depozitarea acumulatorilor mai mult de 30 zile:

Accumulatorii se depozitează la cca. 27°C și la loc uscat.

Accumulatorii se depozitează la nivelul de încărcare de cca. 30%-50%.

Accumulatorii se încarcă din nou la fiecare 6 luni.

#### PROTECȚIE SUPRAÎNCĂRCARE ACUMULATOR

Bateria de acumulare este dotată cu o protecție anti-suprasarcină, care protejează acumulatorul împotriva supraîncărcării și îi asigură o durată îndelungată de viață.

În cazul unei solicitări extrem de ridicate, sistemul electronic al acumulatorului decuplează mașina în mod automat. Pentru continuarea lucrului, mașina trebuie decuplată și apoi cuplată din nou. Dacă mașina nu pornește, este posibil ca bateria de acumulare să fie descărcată, trebuind reîncărcată în aparatul de încărcare.

#### TRANSPORTUL ACUMULATORILOR CU IONI DE LITIU

Accumulatorii cu ioni de litiu cad sub incidența prescripțiilor legale pentru transportul de mărfuri periculoase.

Transportul acestor acumulatori trebuie să se efectueze cu respectarea prescripțiilor și reglementărilor pe plan local, național și internațional.

• Consumatorul le este permis transportul rutier nerestricționat al acestui tip de acumulatori.

• Transportul comercial al acumulatorilor cu ioni de litiu prin intermediul firmelor de expediție și transport este supus reglementărilor transportului de mărfuri periculoase. Pregătirile pentru expediție și transportul au voie să fie efectuate numai de către personal instruit corespunzător. Întregul proces trebuie asistat în mod competent.

Următoarele puncte trebuie avute în vedere la transportul acumulatorilor:

• Pentru a se evita scurtcircuitate, asigurați-vă de faptul că sunt protejate și izolate contactele.

• Aveți grijă ca pachetul de acumulatori să nu poată aluneca în altă poziție în interiorul ambalajului său.

• Este interzis transportarea unor acumulatori deteriorați sau care pierd lichid.

Pentru indicații suplimentare adresați-vă firmei de expediție și transport cu care colaborați.

#### INDICAȚII DE OPERARE

Nu intrați niciodată în zona de pericol a rindelei când este în funcțiune.

Așezați partea din față a mașinii pe piesa de prelucrat și porniți mașina înainte ca lama să atingă piesa și apoi ghidați uniform pe piesa de prelucrat.

Apărătoarea rabatabilă trebuie să fie ridicată numai de piesa de prelucrat sau cu maneta.

Canalul în formă de „V” din fața plăcii suport asigură sanfrana sigură a muchiilor.

Când se utilizează lame canelate, folosiți întotdeauna două lame cu un număr diferit de caneluri.





#### INTREȚINERE

Fantele de aerisire ale mașinii trebuie să fie menținute libere tot timpul. Dacă evacuarea de așchii este pătată cu rașină, înlăturați-o cu o cârpă înmuiată în înlocuitor de terebentină.

Utilizați numai accesorii și piese de schimb AEG. Dacă unele din componentele care nu au fost descrise trebuie înlocuite, vă rugăm contactați unul din agenții de service AEG (vezi lista noastră pentru service / garanție)

Dacă este necesar, puteți solicita de la centrul dvs. de service pentru clienți sau direct la Technronic Industries GmbH, Max-Eyth-Straße 10, 71364 Winnenden, Germania un desen descompus al aparatului prin indicarea tipului de aparat și a numărului cu șase cifre de pe tablăta indicatoare.

#### SIMBOLURI

	PERICOL! AVERTIZARE! ATENȚIE!
	Îndepărtați acumulatorul înainte de începerea lucrului pe mașina
	Vă rugăm citiți cu atenție instrucțiunile înainte de pornirea mașinii
	Purtați mănuși de protecție!
	Purtați căști de protecție
	Purtați întotdeauna ochelari de protecție când utilizați mașina.
	Accesoriu - Nu este inclus în echipamentul standard, disponibil ca accesoriu
	Aparatele electrice, bateriile/acumulatorii nu se elimină împreună cu deșeurile menajere. Aparatele electrice și acumulatorii se colectează separat și se predau la un centru de reciclare, în vederea eliminării ecologice. Informații-vă de la autoritățile locale sau de la comerțanții acreditați în legătură cu centrele de reciclare și de colectare.
	Viteza de mers în gol
	Tensiune
	Curent continuu
	Direcție de rotație
	Marcă de conformitate europeană
	Marcă de conformitate ucraineană
	Marcă de conformitate eurasiatică

Nu aruncați acumulatorii uzați la containerul de reziduri menajere și nu îi ardeți. AEG Distributors se oferă să recupereze acumulatorii vechi pentru protecția mediului înconjurător.

Nu depozitați acumulatorul împreună cu obiecte metalice (ris de scurtcircuit)

Folosiți numai încărcătoare System GBS pentru încărcarea acumulatorilor System GBS. Nu folosiți acumulatorii din alte sisteme.

Nu se permite introducerea nici unei piese metalice în locașul pentru acumulator al încărcatorului. (ris de scurtcircuit)

Nu deschideți niciodată acumulatorii și încărcătoarele și păstrați-le numai în încăperi uscate. Păstrați-le întotdeauna uscate.

Acidul se poate scurge din acumulatorii deteriorați la încălzări sau temperaturi extreme. În caz de contact cu acidul din acumulator, spălați imediat cu apă și săpun. În caz de contact cu ochii, călățiți cu atenție timp de cel puțin 10 minute și apelați imediat la îngrijire medicală.

**Avertizare!** Pentru a reduce pericolul unui incendiu și evitarea rănirilor sau deteriorarea produsului în urma unui scurtcircuit nu imersați scula, acumulatorul de schimb sau încărcătorul în lichide și asigurați-vă să nu p/trund/ lichide în aparate și acumulatori. Lichidele corosive sau cu conductibilitate, precum apă sărată, anumite substanțe chimice și în/ibitori sau produse ce conin în/ibitori, pot provoca un scurtcircuit.

#### DECLARAȚIE DE CONFORMITATE

Declarăm pe propria răspundere că produsul descris la „Date tehnice” este în concordanță cu toate prevederile legale relevante ale Directivei 2011/65/EU (RoHS), 2014/30/EU, 2006/42/CE și cu următoarele norme armonizate:

EN 62841-1:2015

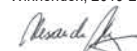
EN 62841-2-14:2015

EN 55014-1:2017

EN 55014-2:2015

EN IEC 63000:2018

Winnenden, 2019-26-02



Alexander Krug  
Managing Director

Împuternicit să elaboreze documentația tehnică.

Technronic Industries GmbH

Max-Eyth-Straße 10

71364 Winnenden

Germany



ТЕХНИЧКИ ПОДАТОЦИ	СТРУГ НА БАТЕРИИ	ВНО18ВL
Произведен број.....	4743 18 01...	...000001-999999
Волтажа на батеријата .....	18 V	
Ширина на рамнење.....	82 mm	
Длабочина на рамнење макс.....	2.0 mm	
Длабочина на канал.....	12.5 mm	
Брзина без оптоварување.....	14300 min <sup>-1</sup>	
Тежина според ЕПТА-процедурата 01/2014 (1,5 Ah - 9,0 Ah).....	3,1 - 3,8 kg	
Препорачана температура на околната при работа.....	-18...+50 °C	
Препорачани типови на акумулаторски батерии.....	L 1815R ... L1890RHD	
Препорачани полначи.....	BL1418	

#### Информација за бучавата/вибрациите

Измерените вредности се одредени согласно стандардот EN 62841.

A-оценетото ниво на бучава на апаратот типично изнесува:

Ниво на звучен притисок, (Несигурност K=3dB(A))..... 89,5 dB (A)

Ниво на јачина на звук, (Несигурност K=3dB(A))..... 100,5 dB (A)

#### Носте штитник за уши.

Вкупни вибрациски вредности (векторски збир на трите насоки)

пресметани согласно EN 62841.

Вибрациска емисиона вредност a<sub>n</sub>..... 3,4 m/s<sup>2</sup>

Несигурност K..... 1,5 m/s<sup>2</sup>

#### ПРЕДУПРЕДУВАЊЕ!

Нивото на вибрации и емисија на бучава дадени во овој информативен лист се измерени во согласност со стандардизиран метод на тестирање даден во EN 62841 и може да се користат за споредување на еден електричен алат со друг. Тие исто така може да се користат при првична проценка на изложеност.

Наведеното ниво на вибрации и емисија на бучава ја претставува главната примена на алатот. Сепак ако алатот се користи за поинакви примени, со поинаков прибор или лошо се одржува, вибрациите и емисијата на бучава може да се разликуваат. Тоа може значително да го зголеми нивото на изложеност преку целиот работен период.

Проценка на нивото на изложеност на вибрации и бучава треба исто така да се земе предвид кога е исклучен алатот или кога е вклучен, но не врши никаква работа. Тоа може значително да го намали нивото на изложеност преку целиот работен период.

Утврдете дополнителни безбедносни мерки за да се заштити операторот од ефектите и/или бучавата како на пр.: одржувајте го алатот и приборот, рацете нека ви бидат топли, организација на работните шемии.

#### ▲ ПРЕДУПРЕДУВАЊЕ! Прочитајте ги сите безбедносни упатства,

инструкции, илустрации и спецификации за овој електричен алат.

Недоследно почитување на подолу наведените упатства може да предизвика

електричен удар, пожар и/или сериозни повреди.

Чувајте ги сите предупредувања и упатства за употреба.

#### ▲ НАПОМЕНИ ЗА БЕЗБЕДНОСТ ЗА СТРУГАЛИЦИ

Чекајте, додека направата за разделување сосема да сопне, пред да го оставите орудието. Отворена, вртчена направа за разделување би можела да влијае врз површината и да доведе до евентуална загуба на контролата и тешки повреди!

Употребувајте спајалка за навртување или други практични помошни средства, за да го зацврстите делот што се обработува на стабилна подлога. Со држење на делот што се обработува со рака или негово притискање со телото, делот може да се лизне, а тоа може да доведе до гуење на контролата.

#### ▲ ОСТАНАТИ БЕЗБЕДНОСНИ И РАБОТНИ УПАТСТВА

Секогаш носете ракавици кога ја користите машината. Исто така препорачливо е да се носат очила, цврсти чевли кои не се лизгаат и престилка.

Секогаш користете заштитен штит на машината.

Рамнете само со остри сечила и избегнувајте метал (клинци, шрафови).

Никогаш не посетувајте во зоната на опасната работна површина при вклучена машина.

Пршината која се создава при користење на овој алат може да биде штетна по здравјето. Не ја вдишувајте. Носете соодветна заштитна маска.

Не смеат да бидат обработувани материјали кои што можат да го загрозат здравјето (на пр. азбест).

Доколку употребуваното орудие се блокира, молиме веднаш да се исклучи апаратот! Не го вклучувајте апаратот повторно додека употребуваното орудие е блокирано, притоа би можело да дојде до повратен удар со висок момент на реакција. Испитајте и отстранете ја причината за блокирањето на употребеното орудие имајќи ги во предвид напомените за безбедност.

Можни причини би можеле да се:

- Заканување во парчето кое што се обработува
- Кршење поради продирање на материјалот кој што се обработува
- Преоптоварување на електричното орудие

Не факајте во машината кога работи.

Употребеното орудие за време на примената може да стане многу жешко.

**ПРЕДУПРЕДУВАЊЕ!** Опасност од изгоретини

- при менување на орудието

- при ставање на апаратот на страна

Прашината и струготините не смеат да се одстрануваат додека е машината работи.

Не ги оставајте искористените батерии во домашниот отпад и не горете ги.

Дистрибутерите на АЕГ ги собираат старите батерии, со што ја штитат нашата околина.

Не ги чувајте батериите заедно со метални предмети (ризик од краток спој).

Користете исклучиво Систем GBS за полнење на батерии од GBS систем. Не користете батерии од друг систем.

Метални парчиња не смеат да навлезат во делот за полнење на батерија (ризик од краток спој).

Не ги отворајте насилно батериите и полначите, и чувајте ги само на суво место. Чувајте ги постојано суви.

Киселината од оштетените батериите може да истече при екстреман напон или температури. Доколку дојдете во контакт со исатата, измијте се веднаш со сапун и вода. Во случај на контакт со очите плакнете ги убаво најмалку 10 минути и задолжително одете на лекар.

**Предупредување!** За да избегнете опасност од пожар, од наранувања или од оштетување на производот, кошто ги создава краток спој, не ја потопувајте во течност алатката, заменувајте батерија или полначот и пазете во уредите и во батериите да не проникнуваат течности. Корозивни или електроспроводливи течности, како солена вода, одредени хемикалии, избелувачки препарати или производи кои содржат избелувачки супстанции, можат да предизвикаат краток спој.

**ЕУ-ДЕКЛАРАЦИЈА ЗА СООБРАЗНОСТ**

Во своја сопствена одговорност изјавуваме дека под „Технички податоци“ опишаниот производ е во склад со сите релевантни прописи од регулативата 2011/65/EU (RoHS), 2014/30/EU, 2006/42/EC и следните хармонизирачки нормативни документи:

EN 62841-1:2015

EN 62841-2-14:2015

EN 55014-1:2017

EN 55014-2:2015

EN IEC 63000:2018

Winnenden, 2019-26-02

*Alexander Krug*

Alexander Krug  
Managing Director



Опномоштен за составување на техничката документација.

Techtronic Industries GmbH

Max-Eyth-Straße 10

71364 Winnenden

Germany

#### СПЕЦИФИЦИРАНИ УСЛОВИ НА УПОТРЕБА

Електронската рамнилка може да рамни површини и канали, и жлебови и.. Рабови

Не го користете овој производ на било кој друг начин освен пропишаниот за нормална употреба.

#### БАТЕРИИ

Батриите кои не биле користени подолго време треба да се наполнат пред употреба.

Температура повисока од 500C (1220F) го намалуваат траењето на батериите. Избегнувајте подолго изложување на батериите на високи температури или сонце (ризик од прегревање).

Одржувајте ги чисти контактите на приклучокот на портот за струја и на батеријата.

За оптимален работен век батериите мора да се наполнат целосно по употреба.

За можно подолг век на траење, апаратите после нивното полнење треба да бидат извадени од апаратот за полнење на батериите.

Во случај на складирање на батеријата подолго од 30 дена: Акумулаторот да се чува на температура од приближно 27°C и на суво место.

Акумулаторот да се складира на приближно 30%-50% од состојбата на наполнетост.

Акумулаторот повторно да се наполни на секои 6 месеци.

#### ЗАШТИТА ОД ПРЕОПТЕРЕТУВАЊЕ НА БАТЕРИЈАТА

Батериското пакување е опремено со заштита од преоптоварување што ја штити батеријата од преоптоварување и обезбедува долг работен век.

При екстремно висок степен на употреба, електрониката на батеријата автоматски ја исклучува машината. За да продолжите со работа исклучете ја машината и вклучете ја повторно. Доколку машината не се вклучи повторно, можно е батериското пакување да е испразнето. Тогаш тоа ќе мора да биде наполнето во апаратот за полнење.

#### ТРАНСПОРТ НА ЛИТИУМ-ЈОНСКИ БАТЕРИИ

Литиум-јонските батерии подлежат на законските одредби за транспорт на опасни материји.

Транспортот на овие батерии мора да се врши согласно локалните, националните и меѓународните прописи и одредби.

- Потрошувачите на овие батерии може да вршат непречен патен транспорт на истите.

- Комерцијалниот транспорт на литиум-јонски батерии од страна на шпедитерски претпријатија подлежат на одредбите за транспорт на опасни материји. Подготовките за шпедиција и транспорт треба да ги вршат исклучиво соодветно обучени лица. Целокупниот процес треба да биде стручно надгледуван.

При транспортот на батерии треба да се внимава на следното:

- Осигурајте се дека контактите се заштитени и изолирани, а сето тоа со цел да се избегнат кратки споеви.

- Внимавајте да не дојде до изместување на батериите во нивната амбалажа.

- Забранет е транспорт на оштетени или протечени литиум-јонски батерии. За понатамошни инструкции обратете се до Вашето шпедитерско претпријатие.

#### СОВЕТИ ЗА КОРИСНИКОТ

Никогаш не посетувајте во зоната на опасната работна површина при вклучена машина.

Поставете ја предната страна на машината над парчето за обаротка и вклучете, пред рамначкото сечило да го допре парчето и потоа водете го со еднакви движења над парчето.

Самоотворачкиот пивот штитник треба да биде подигнат само од парчето за обаротка или со рачката.

Јазолот напред на потпорната површина во форма на V, овозможува

безбедно заоблување на рабовите.

Кога користите назабени сечила за рамнилката, секогаш користете две сечила со различен број на назабувања.

#### ОДРЖУВАЊЕ

Вентилациските отвори на машината мора да бидат комплетно отворени постојано.

Доколку остатоците од парчињата се извалкани со смола, одстранете ја со ткаенина натопена во терлентински раствор.

Користете само АЕГ додатоци и резервни делови. Доколку некои од компонентите кои не се опишани треба да бидат заменети, Ве молиме контактирајте ги сервисните агенти на АЕГ (консултирајте ја листата на адреси).

При потреба може да се побара експлозионен цртеж на апаратот со наведување на машинскиот тип и шестоцифрениот број на табличката со уникот или во Вашата корисничка служба или директно кај Techtronic Industries GmbH, Max-Eyth-Straße 10, 71364 Winnenden, Германија.

#### СИМБОЛИ

	ВНИМАНИЕ! ПРЕДУПРЕДУВАЊЕ! ОПАСНОСТ!
	Извадете го батерискиот склоп пред отпочнување на каков и да е зафат врз машината.
	Ве молиме пред да ја стартувате машината обрнете внимание на упатствата за употреба.
	Носете ракавици!
	Носте штитник за уши.
	Секогаш при користење на машината носете ракавици.
	Дополнителна опрема - Не е вклучена во стандардната, а достапна е како додаток.
	Електричните апарати и батериите што се полнат не смеат да се фрлат заедно со домашниот отпад. Електричните апарати и батериите треба да се собираат одделно и да се однесат во соодветниот погон заради нивно фрлање во склад со начелата за заштита на околината. Информирајте се кај Вашите местни служби или кај специјализираниот трговски претставник, каде има такви погони за рециклажа и собирни станици.
	Брзина без оптоварување
	Напон
	Истосмерна струја
	Правец на движење
	Европска ознака за сообразност
	Украинска ознака за сообразност
	Евроазииска ознака за сообразност

ТЕХНІЧНІ ХАРАКТЕРИСТИКИ	АКУМУЛЯТОРНИЙ РУБАНОК	ВНО18BL
Номер виробу.....	4743 18 01... ...000001-999999	
Напруга змінної акумуляторної батареї.....	18 V	
Ширина стругання.....	82 mm	
Глибина різання макс.....	2,0 mm	
Глибина паза.....	12,5 mm	
Кількість обертів холостого ходу.....	14300 min <sup>-1</sup>	
Вага згідно з процедурою ЕРТА 01/2014 (1,5 Ah - 9,0 Ah).....	3,1 - 3,8 kg	
Рекомендована температура довільля під час роботи.....	-18... +50 °C	
Рекомендовані типи акумуляторів.....	L 1815R ... L1890RHD	
Рекомендовані зарядні пристрої.....	BL1418	

### Шум / інформація про вібрацію

Виміряні значення визначені згідно з EN 62841.

Рівень шуму „А“ приладу становить в типовому випадку:

Рівень звукового тиску (похибка К = 3 дБ(А))..... 89,5 dB (A)  
Рівень звукової потужності (похибка К = 3 дБ(А))..... 100,5 dB (A)

### Використовувати засоби захисту органів слуху!

Сумарні значення вібрації (векторна сума трьох напрямків), встановлені згідно з EN 62841.

Значення вібрації a<sub>w</sub>..... 3,4 m/s<sup>2</sup>  
похибка К = ..... 1,5 m/s<sup>2</sup>

### ПОПЕРЕДЖЕННЯ!

Заявлені значення шумового випромінювання, вказані в цьому інформаційному аркуші, було виміряно відповідно до стандартизованого випробування згідно з EN 62841 та можуть використовуватися для порівняння одного інструмента з іншим. Вони також можуть використовуватися для попередньої оцінки рівня впливу на організм.

Вказані значення вібрації та шумового випромінювання дійсні для основних областей застосування інструмента. Якщо інструмент використовується в інших областях застосування чи з іншим приладом або не проходить належне обслуговування, значення вібрації та шумового випромінювання можуть відрізнятись. Це може суттєво збільшити рівень впливу на організм протягом загального періоду роботи.

Під час оцінки рівня впливу вібрації та шумового випромінювання на організм також необхідно враховувати періоди, коли інструмент вимкнено, чи коли він працює, але фактично не використовується для виконання роботи. Це може суттєво знизити рівень впливу на організм протягом загального періоду роботи.

Визначте додаткові заходи для захисту оператора від впливу вібрації та/або шуму, наприклад, обслуговування інструмента та його приладдя, зберігання рук у теплі, організація графіків роботи.

**⚠ УВАГА! Ознайомитись з усіма попередженнями з безпечно використання, інструкціями, ілюстраціями, ілюстраціями матеріалом та технічними характеристиками, які надаються з цим електричним інструментом.**  
Недотримання всіх наведених нижче інструкцій може призвести до ураження електричним струмом, пожежі та/або важких травм.  
**Зберігати всі попередження та інструкції для використання в майбутньому.**

### ⚠ ВКАЗІВКИ З ТЕХНІКИ БЕЗПЕКИ ДЛЯ РУБАНКА

**Зачекайте, доки вал ножа не зупиниться, перш ніж покласти електроінструмент.** Виступаючий вал ножа, який обертається, може зчепитися з поверхнею та призвести до втрати контролю та тяжких травм.

**Тримати електроінструмент тільки за ізольовані ручки, оскільки різальний інструмент може потрапити на власний мережевий кабель.** Контакт з лінією під напругою може призвести до появи напруги в металевих частинах приладу та до ураження електричним струмом.

### ⚠ ДОДАТКОВІ ІНСТРУКЦІ З ТЕХНІКИ БЕЗПЕКИ ТА ЕКСПЛУАТАЦІЇ

Під час роботи з машиною завжди носити захисні окуляри. Радимо носити захисні рукавиці, міцне та нековзне взуття і фартух.

Обов'язково користуватися захисним обладнанням машини.

Стругати лише гострими ножами та в жодному разі не метал (цвяхи, гвинти).

Не засовувати руку у небезпечну зону працюючих ножів!

Пил, що утворюється під час роботи, часто буває шкідливим для здоров'я; він не повинен потрапляти в організм. Носити відповідну маску для захисту від пилу. Не можна обробляти матеріали, небезпечні для здоров'я (наприклад, азбест).

При блокуванні вставного інструменту негайно вимкнути прилад! Не вмикайте прилад, якщо вставний інструмент заблокований, при цьому може виникнути віддача з високим зворотним моментом. Визначити та усунути причину блокування вставного інструменту з урахуванням вказівок з техніки безпеки.

Можливі причини:

- Перекіс в заготовці, що обробляється
- Пробивання оброблюваного матеріалу
- Перевантаження електроінструмента

Частини тіла не повинні потрапляти в машину, коли вона працює.

Вставний інструмент може нагріватися під час роботи.

**ПОПЕРЕДЖЕННЯ!** Небезпека опіків

- при заміні інструменту
- при відкладанні приладу

Не можна видаляти стружку або уламки, коли машина працює.

ТЕХНІЧНІ ХАРАКТЕРИСТИКИ	АКУМУЛЯТОРНИЙ РУБАНОК	ВНО18BL
Номер виробу.....	4743 18 01... ...000001-999999	
Напруга змінної акумуляторної батареї.....	18 V	
Ширина стругання.....	82 mm	
Глибина різання макс.....	2,0 mm	
Глибина паза.....	12,5 mm	
Кількість обертів холостого ходу.....	14300 min <sup>-1</sup>	
Вага згідно з процедурою ЕРТА 01/2014 (1,5 Ah - 9,0 Ah).....	3,1 - 3,8 kg	
Рекомендована температура довільля під час роботи.....	-18... +50 °C	
Рекомендовані типи акумуляторів.....	L 1815R ... L1890RHD	
Рекомендовані зарядні пристрої.....	BL1418	

ТЕХНІЧНІ ХАРАКТЕРИСТИКИ	АКУМУЛЯТОРНИЙ РУБАНОК	ВНО18BL
Номер виробу.....	4743 18 01... ...000001-999999	
Напруга змінної акумуляторної батареї.....	18 V	
Ширина стругання.....	82 mm	
Глибина різання макс.....	2,0 mm	
Глибина паза.....	12,5 mm	
Кількість обертів холостого ходу.....	14300 min <sup>-1</sup>	
Вага згідно з процедурою ЕРТА 01/2014 (1,5 Ah - 9,0 Ah).....	3,1 - 3,8 kg	
Рекомендована температура довільля під час роботи.....	-18... +50 °C	
Рекомендовані типи акумуляторів.....	L 1815R ... L1890RHD	
Рекомендовані зарядні пристрої.....	BL1418	

ТЕХНІЧНІ ХАРАКТЕРИСТИКИ	АКУМУЛЯТОРНИЙ РУБАНОК	ВНО18BL
Номер виробу.....	4743 18 01... ...000001-999999	
Напруга змінної акумуляторної батареї.....	18 V	
Ширина стругання.....	82 mm	
Глибина різання макс.....	2,0 mm	
Глибина паза.....	12,5 mm	
Кількість обертів холостого ходу.....	14300 min <sup>-1</sup>	
Вага згідно з процедурою ЕРТА 01/2014 (1,5 Ah - 9,0 Ah).....	3,1 - 3,8 kg	
Рекомендована температура довільля під час роботи.....	-18... +50 °C	
Рекомендовані типи акумуляторів.....	L 1815R ... L1890RHD	
Рекомендовані зарядні пристрої.....	BL1418	

Відпрацьовані змінні акумуляторні батареї не можна кидати у вогонь або викидати з побутовими відходами. АЕГ пропонує утилізацію старих змінних акумуляторних батарей, безпечно для довкілля; зверніться до свого дилера.

Не зберігати змінні акумуляторні батареї разом з металевими предметами (небезпека короткого замикання).

Змінні акумуляторні батареї системи GBS заряджати лише зарядними пристроями системи GBS. Не заряджати акумуляторні батареї інших систем.

В гніздо зарядного пристрою, яке призначене для встановлення змінної акумуляторної батареї, не повинні потрапляти металеві деталі (небезпека короткого замикання).

Не відкривати змінні акумуляторні батареї і зарядні пристрої та зберігати їх лише в сухих приміщеннях. Берігти від вологи.

При екстремальному навантаженні або при екстремальній температурі з пошкодженою змінної акумуляторної батареї може витікати електроліт. При потрапленні електроліту на шкіру його негайно необхідно змити водою з милом. При потрапленні в очі їх необхідно негайно ретельно промити, щонайменше 10 хвилин, та негайно звернутися до лікаря.

**Попередження!** Для запобігання небезпеці пожежі в результаті короткого замикання, травмам і пошкодженню виробів не занурюйте інструмент, змінний акумулятор або зарядний пристрій у рідину і не допускайте потраплення рідини всередину пристроїв або акумуляторів. Корозійні і струмопровідні рідини, такі як солоний розчин, певні хімікати, вибухові засоби або продукти, що їх містять, можуть призвести до короткого замикання.

### СЕРТИФІКАТ ВІДПОВІДНОСТІ ВИМОГАМ ЄС

Ми заявляємо на власну відповідальність, що виріб, описаний в „Технічних даних“, відповідає всім застосованим положенням директиви 2011/65/EU (RoHS), 2014/30/EU, 2006/42/EG, та наступним гармонізованим нормативним документам:

EN 62841-1:2015  
EN 62841-2:14:2015  
EN 55014-1:2017  
EN 55014-2:2015  
EN IEC 63000:2018

Winnenden, 2019-26-02



Alexander Krug  
Managing Director

Уповноважений із складання технічної документації.



Techtronic Industries GmbH  
Max-Eyth-Straße 10  
71364 Winnenden  
Німеччина

### ВИКОРИСТАННЯ ЗА ПРИЗНАЧЕННЯМ

Цей рубанок підходить для стругання поверхонь та пазів, а також для зняття фаски з кромок.

Цей прилад можна використовувати тільки за призначенням так, як вказано в цьому документі.

### АКУМУЛЯТОРНІ БАТАРЕЇ

Змінну акумуляторну батарею, що не використовувалася тривалий час, перед використанням необхідно підзарядити.

Температура понад 50 °C зменшує потужність змінної акумуляторної батареї.

Уникайте тривалого нагрівання сонячними променями або системою обігріву.

З'єднувальні контакти порту електроживлення та змінної акумуляторної батареї повинні бути чистими.

Для забезпечення оптимального строку експлуатації акумуляторні батареї після використання необхідно повністю зарядити.

Для забезпечення максимально можливого терміну експлуатації акумуляторні батареї після зарядки необхідно виймати з зарядного пристрою.

При зберіганні акумуляторної батареї понад 30 днів: Зберігати акумуляторну батарею при температурі приблизно 27 °C в сухому місці. Зберігати акумуляторну батарею в стані зарядки приблизно 30-50 %.

Кожні 6 місяців заново заряджати акумуляторну батарею.

### ЗАХИСТ АКУМУЛЯТОРНОЇ БАТАРЕЇ ВІД ПЕРЕВАНТАЖЕННЯ

Акумуляторний блок оснащений захистом від перевантаження, який захищає акумуляторну батарею від перевантаження і забезпечує тривалий термін експлуатації.

При надзвичайно великих навантаженнях електроніка акумуляторної батареї автоматично вимикає машину. Для продовження роботи вимкнути і знов увімкнути машину. Якщо машина не вмикається, можливо, розряджений акумуляторний блок, його необхідно знову зарядити в зарядному пристрої.

### ТРАНСПОРТУВАННЯ ЛІТІЙ-ІОННИХ АКУМУЛЯТОРНИХ БАТАРЕЙ

Літій-іонні акумуляторні батареї підпадають під законоположення про перевезення небезпечних вантажів.

Транспортування таких акумуляторних батарей повинно відбуватися із дотриманням місцевих, національних та міжнародних приписів та положень.

- споживачі можуть без проблем транспортувати ці акумуляторні батареї по вулиці.

- Клеркційне транспортування літій-іонних акумуляторних батарей експедиторськими компаніями підпадає під положення про транспортування небезпечних вантажів. Підготовку до відправлення та транспортування можуть здійснювати виключно особи, які пройшли відповідне навчання. Весь процес повинні контролювати кваліфіковані фахівці.

При транспортуванні акумуляторних батарей необхідно дотримуватися зазначених далі пунктів:

- Переконайтеся в тому, що контакти захищені та ізольовані, щоб запобігти короткому замиканню.

- Слідкуйте за тим, щоб акумуляторна батарея не переміщувалася всередині упаковки.

- Пошкоджені акумуляторні батареї, або акумуляторні батареї, що потекли, не можна транспортувати.

Для отримання подальших вказівок звертайтеся до своєї експедиторської компанії.

### ВИКОРИСТАННЯ

Не засовувати руку у небезпечну зону працюючих ножів!

Встановити машину передньою плитою на заготовку та увімкнути, перш ніж стругальні ножі доторкнуться до заготовки, а потім рівномірно вести по заготовці.

Відкідний захисний кожух можна приводити в дію лише з використанням заготовки або важеля.

V-образна канавка у передній опорній плиті дозволяє безпечно знімати фаску з кромок.

При використанні стругальних ножів зі стружкопалними канавками завжди необхідно застосовувати пари ножів з різною кількістю канавок.

### ОБСЛУГОВУВАННЯ

Завжди підтримувати чистоту вентиляційних отворів.

Засмолений пристрій для викиду стружки почистити серветкою, змоченою вайт-спіритом.

Використовувати комплектуючі та запчастини тільки від АЕГ. Деталі, заміна яких не описується, заміновати тільки в відділі обслуговування клієнтів АЕГ (зверніть увагу на брошуру „Гарантія / адреси сервісних центрів“).

У разі необхідності можна запросити креслення зображенням вузлів машини в перспективному вигляді, для цього потрібно звернутися в ваш відділ обслуговування клієнтів або безпосередньо в Techtronic Industries GmbH, Max-Eyth-Straße 10, 71364 Winnenden, Німеччина, та вказати тип машини та шестизначний номер на фірмовій табличці з даними машини.

### СИМВОЛИ

	УВАГА! ПОПЕРЕДЖЕННЯ! НЕБЕЗПЕЧНО!
	Перед будь-якими роботами на приладі вийняти змінну акумуляторну батарею.
	Уважно прочитайте інструкцію з експлуатації перед введенням приладу в дію.
	Носити захисні рукавиці!
	Використовувати засоби захисту органів слуху!
	Під час роботи з машиною завжди носити захисні окуляри.
	Комплектуючі - не входять в обсяг постачання, рекомендовані доповнення з програми комплектуючих.
	Електроприлади, батареї/акумулятори заборонено утилізувати разом з побутовим сміттям. Електричні прилади і акумулятори слід збирати окремо і здавати в спеціалізовану компанію для утилізації відповідно до норм охорони довкілля. Зверніться до місцевих органів або до вашого дилера, щоб отримати адреси пунктів вторинної переробки та пунктів прийому.
$n$	Кількість обертів холостого ходу
$V$	Напруга
	Постійний струм
	Напрямок обертання
	Європейський знак відповідності
	Український знак відповідності
	Євроазіатський знак відповідності

البيانات الفنية	مسحاح بدون لاسلكي	BHO18BL
إنتاج عدد .....	4743 18 011	000001-999999
فولتية البطارية .....	18 V	
عرض المسح .....	82 mm	
عمق المسح الحد الأقصى .....	2,0 mm	
عمق الاقتزاز .....	12,5 mm	
أقصى سرعة دون وجود حمل .....	14300 min <sup>-1</sup>	
الوزن وفقا لنهج EPTA رقم 01/2014 (Ah 9,0 Ah 1,5) .....	3.1 - 3.8 kg	
درجة حرارة الجو المحيط المنصوح بها عند العمل .....	-18...+50 °C	
طرز البطارية المنصوح به .....	L1815R ... L1890RHD	
أجهزة الشحن المنصوح بها .....	BL1418	

**معلومات الضوضاء/الذبذبات**

القيم التي تم قياسها محددة وفقا للمعيار الأوروبية EN 62841

مستويات ضوضاء الجهاز، ترجيح أ يتفكك نموذجي كالتالي:

مستوى ضغط الصوت (الارتباب في القياس = 3 ديسيبل (A))

مستوى شدة الصوت (الارتباب في القياس = 3 ديسيبل (A))

**ارتد واقيات الأذن!**

قيم الذبذبات الإجمالي (مجموع الكميات الموجية في المحاور الثلاثة) محددة وفقا للمعيار الأوروبية EN

62841

قيمة ابعثت الذبذبات (ah) .....

الارتباب في القياس .....

## تحذيرا!

تم قياس مستوى الاهتزاز وانبعاث الضوضاء الوارد في ورقة المعلومات هذه، وفقاً لاختبار قياسي محدد في المواصفة EN 62841، ويمكن استخدامه لمقارنة آلة مع أخرى.. كما يمكن استخدام ذلك أيضاً في إجراء تقييم أولي للعرض.

يمثل مستوى الاهتزاز وانبعاث الضوضاء المعان عنه الاستخدامات الأساسية للالة. ومع ذلك، إذا استُعملت الآلة في استخدامات مختلفة، أو بمعدات مختلفة، أو تم صيانتها على نحو سيئ، فقد يختلف مستوى الاهتزاز وانبعاث الضوضاء. وهذا قد يزيد -إلى حد كبير- من مستوى التعرض خلال مدة العمل الإجمالية.

عند تقييم مستوى التعرض للاهتزاز والضوضاء، ينبغي أيضاً أن يوضع في الاعتبار فترات إطفاء الآلة أو تشغيلها دون أن تقوم بأي وظيفة فعلياً، فهذا قد يقلل -إلى حد كبير- من مستوى التعرض خلال مدة العمل الإجمالية.

تعرف على تدابير السلامة الإضافية؛ لحماية المشغل من تأثيرات الاهتزاز أو الضوضاء أو كليهما، مثل: صيانة الآلة وملحقاتها، والحفاظ على ندف البدين، وتنظيم نماذج العمل.

**⚠ تحذير! اقرأ جميع تحذيرات الأمان والتعليمات والصور والمواصفات الواردة مع هذه المعدة الكهربائية.** المخالفة في اتباع التعليمات المذكورة أسفله قد تكون نتيجتها صدمة كهربائية، حريق و / أو إصابة بالغة.
احتفظ بجميع التحذيرات والتعليمات للرجوع إليها في المستقبل.

## ⚠ تعليمات امان فإخرة المسح

**انتظر حتى يتوقف المقاطع قبل وضع الآلة على الأرض. قد يتفاعل المقاطع الووار المكتشف مع السطح مما قد يؤدي إلى فقد السيطرة عليه وحدوث إصابات خطيرة.**

**استخدم مشدك أو طريقة عملية أخرى لتأمين ودعم قطعة العمل على منصة ثابتة.** يؤدي تثبيت قطعة العمل باستخدام البدين أو عكس اتجاه الجسم إلى عدم ثباتها وبالتالي فقدان القدرة على التحكم فيها

## ⚠ إرشادات امان وعمل اضافية

ارتد نظارات الواقية عند استخدام الجهاز دائماً. يصبح باردءا فترات الواقية، الأحذية القوية غير المنزقة والمنزّر.

استخدم دائماً درع الواقية عند تشغيل الآلة.

استخدم مسحاح بشفرات حادة فقط وتجنب المعدان (السامير والمفكات) ..

لا تصل أبداً إلى منطقة الخطر للمسحاح عندما يكون قيد التشغيل.

قد تكون الأتربة الناتجة عن استخدام هذه الآلة ضارة بالصحة. لا تستنشق هذه الأتربة. ارتد قناعاً واقياً من الأتربة مناسباً.

لا يجوز استخدام مواد ينجم عنها أضنار على الصحة (حبرير صخري).

الرجاء إيقاف تشغيل الجهاز على الفور في حالة عرقلة أداة الاستعمال!

لا تقم بتشغيل الجهاز مرة أخرى، طالما أن الأداة المستعملة زالت في حالة عرقلة؛ حيث يمكن أن يحدث هنا ارتداد عكسي مصحوب بقوة رد فعل عالية.

قم بالبحث وإزالة أسباب عرقلة أداة الاستعمال مع مراعاة تعليمات الأمان.

من المحتمل أن تكون الأسباب هي:

- انحدار في القطعة المخصصة لاستعمال
- اختراق المواد المخصصة لاستعمال
- زيادة الحمل على الآلة الكهربائية

لا تلامس بيدك الماكينة أثناء دورانها.

الأداة المستخدمة قد تسخن خلال الاستخدام.

**تحذير!** هناك خطر الإصابة بحروق

- عند استبدال الآدة
- عند وضع الجهاز

لا يجب إزالة النشارة والفضايا أثناء تشغيل الآلة.

لا تتخلص من البطاريات المستعملة مع النفايات المنزلية أو بحرقها. يقدم موزع AEG خدمة استعادة البطاريات القديمة لحماية البيئة.

لا تقم بتخزين البطارية مع الأشياء المعدنية (خطر قصر الدائرة)..

### شروط الاستخدام المحدثة

ويمكن للمسحاح مسح الأسطح ووصلات الاقتزاز والأسطح المائلة والحواف الشظبية.

لا تستخدم هذا المنتج بأي طريقة أخرى غير مصرح بها للاستخدام العادي.

### البطاريات

يجب إعادة شحن البطارية غير المستخدمة لفترة قبل الاستخدام.

تقلل درجات الحرارة التي تتجاوز 50°سليزيوس (122°فهرنهايت) من أداء البطارية. تجنب التعرض الزائد للحرارة أو أشعة الشمس (خطر التسخين) ..

يجب الحفاظ على الأجزاء الملامسة للشواحن وحزم البطارية نظيفة.

للحصول على فترة استخدام مثالية، يجب شحن البطاريات تماماً، بعد الاستخدام.

للحصول على أطول عمر ممكن للبطارية، انزع البطارية من الشاحن بمجرد شحنها تماماً.

لتخزين البطارية أكثر من 30 يوم:

خزن البطارية بحيث تكون درجة الحرارة أقل من °27 سليزيوس ويعيدنا عن أي رطوبة

خزن البطارية مشحونة بنسبة تتراوح بين 30-50 %

اشحن البطارية كالمعتاد، وذلك كل ستة أشهر من التخزين.

### حماية البطارية

البطارية مزودة بحماية ضد الحمل الزائد لحمايتها من زيادة شحنها كهربياً وتساعد على ضمان طول عمرها.

تقوم الكترولينات البطارية ب إيقاف الجهاز تلقائياً في ظروف الضغط الشديد. لإعادة التشغيل ثانية، قم بإيقاف الجهاز ثم تشغيله مجدداً. إذا لم يبدأ تشغيل الجهاز ثانية، فقد يكون فرغ شحن البطارية تماماً. في هذه الحالة يجب إعادة شحنها بشاحن البطارية.

### نقل بطاريات الليثيوم

تخضع بطاريات الليثيوم أيون لشروط قوانين نقل السلع الخطرة.

ويجب نقل هذه البطاريات وفقاً للأحكام والقوانين المحلية والوطنية والدولية.

- يمكن للمستخدم نقل البطاريات براً دون الخضوع لشروط أخرى.

- خضع النقل التجاري لبطاريات الليثيوم أيون عن طريق الغير إلى قوانين نقل السلع الخطرة. يتعين أن يقوم أفراد مندوبون جيداً بالإعداد لعملية النقل والقيام بها بصحبة خبراء منهم.
- متى تُنقل البطاريات:

- عند التأكد من حماية أطراف توصيل البطارية وعزلها تجنباً لحدوث قصر بالدائرة.

- عند التأكد من حماية حزمة البطارية من الحركة داخل صندوق التعبئة.

- يُرعى عدم نقل البطاريات التي بها تشققات أو تسربات.

- يُرعى البحث مع شركة الشحن عن نصيحة أخرى

### نصائح التشغيل

لا تصل أبداً إلى منطقة الخطر للمسحاح عندما يكون قيد التشغيل.

ضع الجزء الأمامي من الماكينة على القطعة المراد العمل عليها وشغّلها قبل أن تلامس شفرة المقشطّة القطعة التي يتم العمل عليها ثم وجهها بانتظام على سطح القطعة التي يتم العمل عليها.

يجب رفع وافي الوصلة المتراوحة المفتوحة الحافة عن طريق قطعة العمل أو الرفاعة فقط.

يضمن التلم على شكل V في مقدمة لوحة الدعم الشطب الأيمن للحواف.

عند استخدام شفرات المقشطّة المجرّفة، استخدم دائماً شفرتين بهما عدد مختلف من التجاريف.

### الصيانة

يجب أن تكون فحلت هوية الجهاز نظيفة طوال الوقت.

إذا كانت مخلفات الكشط مدعونة بمادة الراتنج، فقم بإزالتها بقطعة قماش منقوعة في بديل للتربينية.

استخدم ملحقات AEG وقطع الغيار التابعة لها فقط. إذا كانت المكونات التي يجب تغييرها غير منكورة، يرجى الاتصال بأحد عملاء صيانة AEG (انظر قائمة عمالين الصّمان/الصيانة الخاصة بنا).

عند الحاجة يمكن طلب رمز انفجار الجهاز بعد ذكر طراز الآلة والرقم السداسي المذكور على بطاقة طاقة الآلة لدى جهة خدمة العملاء أو مباشرة لدى شركة

Techtronic Industries GmbH
Max-Eyth-Straße 10
71364 Winnenden
المانيا

### زومرلا

تنبيه! تحذير! خطرا!

انزع البطارية قبل التعامل مع الجهاز.


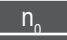






يرجى قراءة التعليمات بعناية قبل بدء تشغيل الجهاز.

ارتد القفازات!

ارتد واقيات الأذن!

ارتد دائماً نظارات الواقية عند استخدام الجهاز.

الملحق - ليس مدرجاً كمعدة قياسية، متوفر كملحق.

	
يحظر التخلص من الأجهزة الكهربائية والبطاريات/البطاريات القابلة للشحن في القمامة المنزلية. يجب جمع الأجهزة الكهربائية والبطاريات القابلة للشحن منفصلة وتسليمها للتخلص منها بشكل لا يضر بالبيئة لدى شركة إعادة استغلال. الرجاء الاستفسار لدى الهيئات المحلية أو لدى التجار المتخصصين عن مواقع إعادة الاستغلال ومواقع الجمع.	
	أقصى سرعة دون وجود حمل
	الجهد الكهربائي
	التيار المستمر
	اتجاه الدوران
	علامة التوافق الأوروبية
	علامة التوافق الأوكرائية
	علامة التوافق الأوروبية الاسيوية

# AEG

[www.aeg-powertools.eu](http://www.aeg-powertools.eu)

**Techtronic Industries GmbH**

Max-Eyth-Straße 10  
71364 Winnenden  
Germany

(07.19)  
4931 4702 29



*AEG is a registered trademark used under  
license from AB Electrolux (publ).*