

RYOBI®

OBV18

ORIGINAL INSTRUCTIONS
TRADUCTION DES INSTRUCTIONS ORIGINALES
ÜBERSETZUNG DER ORIGINALANLEITUNG
TRADUCCIÓN DE LAS INSTRUCCIONES ORIGINALES
TRADUZIONE DELLE ISTRUZIONI ORIGINALI
VERTALING VAN DE ORIGINELE INSTRUCTIES
TRADUÇÃO DAS INSTRUÇÕES ORIGINAIS
OVERSETTELSE AF DE ORIGINALE INSTRUKTIONER
ÖVERSÄTTNING AV DE URSPRUNGLIGA INSTRUKTIONERNA
ALKUPERÄISTEN OHJEIDEN SUOMENNOSS
OVERSETTELSE AV DE ORIGINALE INSTRUKSJONENE
ПЕРЕВОД ОРИГИНАЛЬНЫХ ИНСТРУКЦИЙ
TŁUMACZENIE INSTRUKCJI ORYGINALNEJ
PŘEKLAD ORIGINÁLNÍCH POKYNŮ
AZ EREDETI ÚTMUTATÓ FORDÍTÁSA
TRADUCEREA INSTRUCȚIUNILOR ORIGIALE
TULKOTS NO ORIĢINĀLĀS INSTRUKCIJAS
ORIGINALIŲ INSTRUKCIJŲ VERTIMAS
ORIGINAALJUHENDI TÕLGE
PRIJEVOD ORIGINALNIH UPUTA
PREVOD ORIGINALNIH NAVODIL
PREKLAD ORIGINÁLNYCH POKYNOV
ПРЕВОД ОТ ОРИГИНАЛНИТЕ ИНСТРУКЦИИ
ПЕРЕКЛАД ОРИГИНАЛЬНИХ ІНСТРУКЦІЙ
ORIJINAL TALĪMATLAR



EN
FR
DE
ES
IT
NL
PT
DA
SV
FI
NO
RU
PL
CS
HU
RO
LV
LT
ET
HR
SL
SK
BG
UK
TR





- Important!** It is essential that you read the instructions in this manual before assembling, maintaining and operating the product.
- Attention!** Il est essentiel que vous lisiez les instructions contenues dans ce manuel avant d'assembler, d'entretenir et d'utiliser le produit.
- Achtung!** Es ist wichtig, dass Sie vor Zusammenbau, Wartung und Benutzung des Produktes die Anweisungen in dieser Anleitung lesen.
- ¡Atención!** Resulta fundamental que lea este manual de instrucciones antes de realizar el montaje, el mantenimiento y de utilizar este producto
- Attenzione!** È importante leggere le istruzioni contenute nel presente manuale prima di montare il prodotto, svolgere le operazioni di manutenzione sullo stesso e metterlo in funzione.
- Let op!** Het is van essentieel belang dat u de instructies in deze gebruiksaanwijzing leest voor u het product monteert, onderhoudt en gebruikt.
- Atenção!** É fundamental que leia as instruções deste manual antes da montagem, manutenção e operação do aparelho.
- OBS!** Det er vigtigt, at man læser instrukserne i denne brugsanvisning, inden man samler, vedligeholder og betjener produktet.
- Observera!** Det är viktigt att du läser instruktionerna i manualen före montering, användning och underhåll av produkten.
- Huomio!** On tärkeää, että luet tämän käsikirjan ohjeet ennen tuotteen kokoamista, huoltoa ja käyttöä.
- Advarsel!** Det er viktig at du leser instruksjonene i denne manualen før sammensetning, vedlikehold og bruk av produktet
- Внимание!** Необходимо прочитать инструкции в данном руководстве перед сборкой, обслуживанием и эксплуатацией этого изделия.
- Uwaga!** Koniecznie należy przeczytać instrukcje zawarte w tym podręczniku przed montażem, obsługą oraz konserwacją produktu.
- Důležité upozornění!** Neinstalujte, neprovádějte údržbu ani nepoužívejte tento výrobek dříve, než si přečtete pokyny uvedené v tomto návodu.
- Figyelem!** Fontos, hogy a termék összeszerelése, karbantartása és használatá elött elolvassa a kézikönyvben található utasításokat.
- Atenție!** Este esențial să citiți instrucțiunile din acest manual înainte de asamblare, efectuarea întreinerii și operarea produsului.
- Uzmanību!** Ir svarīgi izlasīt šīs rokasgrāmatas instrukcijas pirms uzstādīšanas, apkopes un precas darbināšanas.
- Dėmesio!** Prieš surenkant, prižiūrint ir naudojant gaminį, būtina perskaityti šiam vadove pateiktus nurodymus.
- Tähtis!** Enne masina kokkupanekut, hooldamist ja kasutama hakkamist tuleb käesolevas juhendis esitatud juhised kindlasti läbi lugeda.
- Upozorenje!** Vrlo je važno da ste prije sklapanja, održavanja i rada s ovim proizvodom pročitali upute u ovom priručniku.
- Pomembno!** Pomembno je da pred montažo vzdrževanjem in uporabo tega izdelka preberete navodila v tem priročniku.
- Upozornenie!** Je dôležité, aby ste si pred montážou, údržbou a obsluhou produktu prečítali pokyny v tomto návode.
- Важно!** Исключительно важно е да прочетете инструкциите в настоящото ръководство, преди да преминете към сглобяване, поддръжка или работа с продукта.
- Важливо!** Дуже важливо, щоб ви прочитали інструкції в цьому керівництві перед складанням, обслуговуванням та експлуатацією цієї машини.
- Önemli!** Ürünü monte etmeden, kullanmadan ve bakımını yapmadan önce bu kılavuzdaki talimatları okumanız önemlidir.

Subject to technical modification | Sous réserve de modifications techniques | Technische Änderungen vorbehalten | Bajo reserva de modificaciones técnicas | Con riserva di eventuali modifiche tecniche | Technische wijzigingen voorbehouden | Com reserva de modificações técnicas | Med forbehold for tekniske ændringer | Med förbehåll för tekniska ändringar | Tekniset muutokset varataan | Med forbehold om tekniske endringer | могут быть внесены технические изменения | Z zastrzeżeniem modyfikacji technicznych | Změny technických údajů vyhrazeny | A műszaki módosítás jogát fenntartjuk | Sub rezerva modificațiilor tehnice | Paturam tiesības mainīt tehniskos raksturlielumus | Pasiliekiant teisę daryti techninius pakeitimus | Tehnilised muudatused võimalikud | Podloženo tehničkim promjenama | Tehnične spremembe dopuščene | Právo na technické zmeny je vyhradené | Подлежи на технически модификации | Є об'єктом для технічних змін | Teknik değişikliğe tabidir.



Safety, performance, and dependability have been given top priority in the design of your cordless blower/vacuum.

INTENDED USE

The cordless blower/vacuum is only intended for use outdoors in dry and well-illuminated conditions.

The product is not intended to be used by children or persons with reduced physical, mental, or sensory capabilities.

The product is designed for blowing or vacuuming light debris, such as leaves, grass, and other garden refuse. It is intended to vacuum and mulch debris and deposit it into the collection bag.

The product is not designed to suck in water or other liquids. Do not use the product for any other purpose.

GENERAL SAFETY WARNINGS

⚠ WARNING

Read all safety warnings and all instructions. Failure to follow the warnings and instructions may result in electric shock, fire, and/or serious injury. Save all warnings and instructions for future reference.

⚠ WARNING

Never allow children or people unfamiliar with these instructions to use the product. Local regulations may restrict the age of the operator.

TRAINING

- Read the instructions carefully. Be familiar with the controls and the correct use of the product.
- Keep in mind that the operator or user is responsible for accidents or hazards occurring to other people or their property.
- Never use the product when you are tired, ill, or under the influence of alcohol, drugs, or medicine.

PREPARATION

- Some regions have regulations that restrict the use of the product to some operations. Check with your local authority for advice.

- Wear hearing protection at all times while operating the product. The product is noisy, and permanent hearing injury may result if precautions to limit your exposure, reduce noise, and wear hearing protection are not strictly adhered to.
- Wear full eye protection at all times while operating the product. The manufacturer strongly suggests a full face mask or fully enclosed goggles. Normal spectacles or sunglasses are not adequate protection. Objects can be thrown at high speed by the powerful air jet at any time and may rebound from hard surfaces toward the operator.
- While operating the product, always wear substantial footwear and long trousers. Do not operate the product when barefoot or wearing open sandals. Avoid wearing clothing with loose fitting or that has hanging cords or ties.
- Do not wear loose clothing or jewellery that can be drawn into the air inlet. Secure long hair so it is above shoulder level to prevent entanglement in moving parts.
- Before each use, ensure that all controls and safety devices function correctly. Do not use the product if the off switch does not stop the product.
- Operate the product in a recommended position and only on a firm and level surface.
- Do not operate the product on a paved or gravel surface where ejected material could cause injury.
- Before each use, always inspect the housing for damage. Ensure that guards and handles are in place and properly secured. Replace worn or damaged components in sets to preserve balance. Replace damaged or unreadable labels.
- Never operate the product while people, especially children, or pets are nearby.
- Keep all cooling air inlets clear of debris.
- Use rakes and brooms to loosen debris before blowing.
- Clear the work area before each use. Remove all objects such as rocks, broken glass, nails, wire, or string that can be blown a considerable distance by high velocity air.

⚠ WARNING

Before using the product in vacuum mode, you must assemble the upper and lower vacuum tubes together. This is a one-time operation only. Never operate the vacuum with only the upper vacuum tube fitted. The risk of personal injury is significantly increased if you fail to follow this warning.

BATTERY TOOL USE AND CARE

- Recharge only with the charger specified by the manufacturer. A charger that is suitable for one type of battery pack may create a risk of fire when used with another battery pack.
- Use power tools only with specifically designated battery packs. Use of any other battery packs may create a risk of injury and fire.
- When battery pack is not in use, keep it away from other metal objects, like paper clips, coins, keys, nails, screws or other small metal objects that can make a connection from one terminal to another. Shorting the battery pack terminals together may cause burns or a fire.
- Under abusive conditions, liquid may be ejected from the battery pack; avoid contact. If contact accidentally occurs, flush with water. If liquid contacts eyes, additionally seek medical help. Liquid ejected from the battery pack may cause irritation or burns.
- Do not use a battery pack or tool that is damaged or modified. Damaged or modified batteries may exhibit unpredictable behaviour resulting in fire, explosion, or risk of injury.
- Do not expose a battery pack or tool to fire or excessive temperatures. Exposure to fire or excessive temperature above 130°C may cause explosion.
- Follow all charging instructions and do not charge the battery pack or tool outside the temperature range specified in the instructions. Charging improperly or at temperatures outside the specified range may damage the battery and increase the risk of fire.

OPERATION

- Before starting the product, make sure the feeding chamber is empty.
- Keep your face and body away from the feed intake opening.
- Operate the product only at reasonable hours – not early in the morning or late at night when people might be disturbed.
- Never operate the product in an explosive atmosphere.
- Avoid using the product in bad weather conditions especially when there is a risk of lightning.
- Do not operate in poor lighting. The operator requires a clear view of the work area to identify potential hazards.
- Operating similar tools nearby increases both the risk of hearing injury and the potential for other persons to enter your working area.
- Always be sure of your footing on slopes. Walk, never run.
- Do not allow hands or any other part of the body or clothing inside the feeding chamber, discharge chute, or near any moving part.
- Keep proper footing and balance. Do not overreach. Overreaching can result in loss of balance.
- Never use the product with defective guards or shields, or without safety devices, such as debris collector, in place.
- Do not modify the product in any way or use parts and accessories that are not recommended by the manufacturer.

⚠ WARNING

If the product is dropped, suffers heavy impact, or begins to vibrate abnormally, immediately stop the product and inspect for damage or identify the cause of the vibration. Any damage should be properly repaired or replaced by an authorised service centre.

- To reduce the risk of injury associated with contacting rotating parts, always stop the product and remove the battery pack. Make sure all moving parts have come to a complete stop before:
 - leaving the product unattended



- clearing blockages or unclogging chute
- checking, cleaning, or working on the product
- inspecting the product after striking a foreign object
- Immediately switch off and remove the battery pack in the event of accident or breakdown. Do not operate the product again until it has been fully checked by an authorised service centre.

BLOWER SAFETY WARNINGS

- Wear a face filter mask in dusty conditions to reduce the risk of injury associated with the inhalation of dust.
- Slightly dampen surfaces in dusty conditions.
- Do not use the product near open windows.
- Use the full blower nozzle extension so that the air stream can work close to the ground and perform effectively.
- Do not point the blower nozzle in the direction of people or pets.
- Never place objects inside the blower tubes.
- Do not place product on top of or near loose debris. Debris can be sucked into the intake vent, resulting in possible damage to the product.

VACUUM SAFETY WARNINGS

▲ WARNING

Never operate the vacuum with only the upper vacuum tube fitted. Failure to follow this warning increases the risk of personal injury.

NOTE: Without the lower vacuum tube fitted, it is much easier to reach up inside the tube towards the fan blade.

- Do not operate the vacuum without the debris collector bag assembly installed. Flying debris could cause serious injury. Make sure that the debris collector bag is in good condition and completely closed before operating the product.
- Move the vacuum from side to side along the outer edge of the debris. To avoid clogging, do not place the vacuum tube directly into the debris pile.

- Hold the motor higher than the inlet end of the vacuum tube.
- To avoid serious injury to the operator or damage to the product, do not try to vacuum up rocks, broken glass, bottles, or similar objects.
- Avoid situations that could cause fire in the debris collector bag. Do not operate the product near an open flame. Do not vacuum up warm ash from fireplaces and barbecue pits. Do not vacuum up discarded cigars or cigarettes unless the cinders are completely cool.
- Keep all parts of your body away from any moving part. Rotating fan blades can cause severe injury. Stop the motor and ensure that fan blades have stopped rotating before opening the vacuum door, installing or changing tubes, or opening or removing debris bag.
- When feeding material into the product, make sure that the pieces of metal, rocks, bottles, cans, or other foreign objects are not included.
- Do not allow processed material to build up in the discharge zone. This may prevent proper discharge and can result in kickback of material through the intake opening.
- If the product becomes clogged, stop the product and remove the battery pack before cleaning the debris.

ADDITIONAL BATTERY SAFETY WARNINGS

▲ WARNING

To reduce the risk of fire, personal injury, and product damage due to a short circuit, never immerse your tool, battery pack or charger in fluid or allow a fluid to flow inside them. Corrosive or conductive fluids, such as seawater, certain industrial chemicals, and bleach or bleach-containing products, etc., can cause a short circuit.

TRANSPORTATION AND STORAGE

- Stop the product, remove the battery pack, and allow it to cool down before storing or transporting.
- Clean all foreign materials from the product. Store the product in a cool, dry, and well-

- EN
- FR
- DE
- ES
- IT
- NL
- PT
- DA
- SV
- FI
- NO
- RU
- PL
- CS
- HU
- RO
- LV
- LT
- ET
- HR
- SL
- SK
- BG
- UK
- TR



ventilated place that is inaccessible to children. Keep away from corrosive agents, such as garden chemicals and de-icing salts. Do not store outdoors.

- For transportation in a vehicle, secure the product against movement or falling to prevent injury to persons or damage to the product.

TRANSPORTING LITHIUM BATTERIES

Transport the battery pack in accordance with local and national provisions and regulations.

Follow all special requirements on packaging and labelling when transporting batteries by a third party. Ensure that no batteries can come in contact with other batteries or conductive materials while in transport by protecting exposed connectors with insulating, non-conductive caps or tape. Do not transport battery packs that are cracked or leaking. Check with the forwarding company for further advice.

MAINTENANCE

⚠ WARNING

Use only original manufacturer's replacement parts, accessories, and attachments. Failure to do so can cause possible injury and poor performance, and may void your warranty.

⚠ WARNING

Servicing requires extreme care and knowledge and should be performed only by a qualified service technician. For service, bring the product to an authorised service centre. When servicing, use only original replacement parts.

- Do not make adjustments and repairs not described in this manual. For other repairs, contact an authorised service centre.
- After each use, clean the product with a soft, dry cloth.
- Check all nuts, bolts, and screws at frequent intervals for proper tightness to ensure that the product is in safe working condition. Any part that is damaged should be properly repaired or replaced by an authorised service centre.

- Bring the product to an authorised service centre to replace damaged or unreadable labels.

CLEARING A BLOCKAGE

- To reduce the risk of injury associated with contacting rotating parts, always stop the product, remove the battery pack, and make sure all moving parts have come to a complete stop.
- Remove the blower tubes to inspect for blockage. Clear the tubes if required.
- Remove the debris collector bag. Check that the bag adaptor is free from obstruction.
- Inspect the opening to the fan enclosure and the tube to the debris bag for evidence of a blockage. Remember, even though the battery pack is removed, the fan or mulching blades may move as you clear any blockage. Keep fingers away from the fan or mulching blades at all times.
- Do not attempt to remove the fan or mulching blade. If it is necessary to remove the fan or mulching blades, bring the product to an authorised service centre.
- Reinstall the tubes and the debris collector bag before installing the battery pack and starting the product.

RESIDUAL RISKS

Even when the product is used as prescribed, it is still impossible to completely eliminate certain residual risk factors. The following hazards may arise in use, and the operator should pay special attention to avoid the following:

- Injury caused by vibration
 - Always use the right tool for the job, use designated handles and use the lowest speed necessary to achieve the task.
- Hearing injury caused by exposure to noise
 - Wear ear protection and limit exposure.
- Injury from flying objects from the blower tube airflow if the debris collection bag is not fitted or is damaged
 - Wear eye protection at all times.

RISK REDUCTION

It has been reported that vibrations from handheld tools may contribute to a condition called Raynaud's Syndrome. Symptoms may

include tingling, numbness, and blanching of the fingers, usually apparent upon exposure to cold. Hereditary factors, exposure to cold and dampness, diet, smoking, and work practices are all thought to contribute to the development of these symptoms. There are measures that can be taken by the operator to possibly reduce the effects of vibration:

- Keep your body warm in cold weather. When operating the product, wear gloves to keep the hands and wrists warm.
- After each period of operation, exercise to increase blood circulation.
- Take frequent work breaks. Limit the amount of exposure per day.

If you experience any of the symptoms of this condition, immediately discontinue use and see your physician.

⚠ WARNING

Injuries may be caused or aggravated by prolonged use of a tool. When using any tool for prolonged periods, ensure you take regular breaks.

KNOW YOUR PRODUCT

See page 161.

1. Front handle
2. Quick release handle
3. Shoulder pad
4. Cruise control lever
5. Turbo button
6. Handle
7. Trigger
8. Blower/vacuum mode selection lever
9. Bag adaptor
10. Vacuum bag
11. Lower blower tube
12. Guide wheels
13. Lower vacuum tube
14. Upper vacuum tube
15. Lock thread

SYMBOLS ON THE PRODUCT



Read and understand all instructions before operating the product, follow all warnings and safety instructions.



Beware of thrown or flying objects. Keep all bystanders, especially children and pets, at least 15 m away from the operating area.



Rotating fans. Keep hands and feet out of openings while the product is running.



Wear ear protection.



Wear eye protection.



Do not expose to rain or damp condition.



The guaranteed sound power level is 99 dB.



Compatible accessory: RAC364



Remove the battery pack before starting any work on the product.



Pull: Quick release tab



Conforms to all regulatory standards in the country in the EU where the product is purchased.



EurAsian Conformity Mark



Ukrainian mark of conformity



Waste electrical products should not be disposed of with household waste. Please recycle where facilities exist. Check with your local authority or retailer for recycling advice.



Blower mode



Vacuum mode

SYMBOLS IN THIS MANUAL



Note



Warning



Parts or accessories are sold separately

The following signal words and meanings are intended to explain the levels of risk associated with this product.

DANGER

Indicates an imminently hazardous situation, which, if not avoided, will result in death or serious injury.

WARNING

Indicates a potentially hazardous situation, which, if not avoided, could result in death or serious injury.

CAUTION

Indicates a potentially hazardous situation, which, if not avoided, may result in minor or moderate injury.

CAUTION

Without safety alert symbol

Indicates a situation that may result in property damage.

◆

Votre aspirateur/souffleur sans fil a été conçu en donnant priorité à la sécurité, à la performance et à la fiabilité.

UTILISATION PRÉVUE

Le souffleur/aspirateur sans fil est conçu pour n'être utilisé qu'à l'extérieur par conditions sèches et sous un bon éclairage.

Ce produit ne doit pas être utilisé par des enfants ou par des personnes aux capacités physiques, sensorielles ou mentales diminuées.

Ce produit est destiné au soufflage et à l'aspiration des débris légers tels que les feuilles, l'herbe et autres déchets du jardin. Il est conçu pour aspirer et pailler les débris et les déposer dans un sac collecteur.

Ce produit n'est pas destiné à aspirer de l'eau ou d'autres liquides. Utilisez ce produit pour aucun autre travail.

AVERTISSEMENTS GÉNÉRAUX DE SÉCURITÉ

▲ AVERTISSEMENT

◆

Lisez les avertissements et indications. Le non-respect des avertissements et instructions peut entraîner une décharge électrique, un incendie et/ou de graves blessures. Veuillez conserver tous les avertissements et toutes les instructions pour pouvoir vous y reporter ultérieurement.

▲ AVERTISSEMENT

Ne laissez jamais les enfants ou les personnes non familiarisées avec ces instructions utiliser le produit. Les lois locales peuvent imposer un âge minimum à l'opérateur.

FORMATION

- Lisez attentivement les instructions. Familiarisez-vous avec les commandes du produit ainsi qu'avec son utilisation correcte.
- Gardez à l'esprit que l'opérateur est responsable des accidents qui arrivent aux autres personnes présentes dans sa propriété.
- N'utilisez jamais le produit lorsque vous

êtes fatigué, malade, ou sous l'influence de l'alcool, de drogues ou de médicaments.

PRÉPARATION

- La législation de certaines régions restreint l'utilisation du produit à certaines opérations. Contactez les autorités locales pour obtenir des conseils.
- Portez une protection auditive en permanence lorsque vous utilisez ce produit. Cette machine est extrêmement bruyante et pourrait provoquer une perte d'audition permanente si des mesures de précaution telles que la réduction de l'exposition, la réduction du bruit et le port d'une protection auditive ne sont pas suivies de façon stricte.
- Portez une protection oculaire totale en permanence lorsque vous utilisez ce produit. Le fabricant recommande fortement le port d'un masque facial total ou de lunettes de protection complètement fermées. Des lunettes de vue ou de soleil ne constituent pas une protection adéquate. Des objets peuvent être projetés à haute vitesse à tout moment par le puissant flux d'air et peuvent rebondir sur des surfaces dures en direction de l'opérateur.
- Lorsque vous utilisez le produit, portez toujours des chaussures adéquates ainsi que des pantalons longs. N'utilisez pas la machine pieds nus ou avec des sandales ouvertes. Évitez de porter des vêtements amples ou qui possèdent des cordons ou attaches qui pendent.
- Ne portez pas de vêtements amples ou de bijoux qui pourraient être attirés vers l'entrée d'air. Si vous avez les cheveux longs, attachez-les au-dessus du niveau des épaules afin d'éviter qu'ils ne se prennent dans les parties en mouvement.
- Avant chaque utilisation, assurez-vous que toutes les commandes et tous les organes de sécurité fonctionnent correctement. N'utilisez pas le produit si son interrupteur « arrêt » est inopérant à arrêter le moteur.
- Faites fonctionner le produit dans la position recommandée et uniquement sur une surface dure et horizontale.
- N'utilisez pas la machine sur une surface pavée ou gravillonnée, la projection de ces matériaux pouvant causer des blessures.
- Avant chaque utilisation, vérifiez toujours

le carter à la recherche de dommages éventuels. Assurez-vous que les protections et poignées sont en place et bien fixées. Remplacez les éléments usés ou endommagés par un jeu complet pour conserver le bon équilibrage. Remplacez toute étiquette endommagée ou illisible.

- N'utilisez jamais la machine si des personnes, en particulier des enfants, ou des animaux familiers se trouvent à proximité.
- Gardez toutes les entrées d'air de refroidissement exemptes de débris.
- Utilisez un râteau et un balai pour détacher les débris avant d'utiliser le souffleur.
- Dégagez la zone de travail avant chaque utilisation. Retirez tous les objets tels que des pierres, du verre brisé, des clous, des câbles ou de la ficelle qui pourraient se voir projeter à une distance considérable par la haute vitesse de l'air.

⚠ AVERTISSEMENT

Avant d'utiliser le produit en mode d'aspiration, vous devez assembler les tubes d'aspiration supérieur et inférieur. Il s'agit d'une opération à effectuer une seule fois. N'utilisez jamais l'aspirateur avec uniquement le tube supérieur en place. Le risque de blessure augmente de façon significative si vous ne tenez pas compte de cet avertissement.

UTILISATION ET EMPLOI SOIGNEUX DES OUTILS ÉLECTRIQUES SANS FIL

- Ne chargez les blocs de batteries que dans des chargeurs recommandés par le fabricant. Un chargeur approprié à un type spécifique de batterie peut engendrer un risque d'incendie lorsqu'il est utilisé avec une autre batterie.
- Dans les outils électriques, n'utilisez que les blocs de batteries spécialement prévus pour ceux-ci. L'utilisation de tout autre bloc de batterie peut entraîner des blessures et des risques d'incendie.
- Lorsqu'un bloc de batterie n'est pas utilisé, maintenez-le à l'écart de tout autre objet métallique, par exemple trombones, pièces de monnaie, clés, clous, vis ou autres objets de petite taille qui peuvent donner lieu à une connexion d'une borne à une

autre. Un court-circuit entre les contacts de batterie peut provoquer des brûlures ou un incendie.

- En cas d'utilisation abusive, du liquide peut sortir du bloc de batterie. Évitez tout contact avec ce liquide. En cas de contact accidentel, rincez soigneusement avec de l'eau. En cas de contact avec les yeux, consultez également un médecin. Le liquide qui sort du bloc de batterie peut entraîner des irritations de la peau ou causer des brûlures.
- N'utilisez pas un outil ou un bloc de batterie endommagé ou modifié. Des batteries endommagées ou modifiées peuvent présenter un comportement imprévisible pouvant causer un incendie, une explosion ou un risque de blessure.
- N'exposez pas un outil ou un bloc de batterie au feu ou à des températures excessives. L'exposition au feu ou à des températures excessives supérieures à 130 °C peut provoquer une explosion.
- Suivez toutes les instructions de chargement et ne chargez pas l'outil ou le bloc de batterie en dehors de la plage de températures spécifiée dans les instructions. Un chargement incorrect ou à des températures en dehors de la plage spécifiée peut endommager la batterie et augmenter le risque d'incendie.

UTILISATION

- Avant de démarrer le produit, assurez-vous que son conduit d'introduction est vide.
- Gardez votre visage et votre corps éloignés de l'ouverture d'alimentation.
- N'utilisez la machine qu'à des heures raisonnables – évitez de le faire tôt le matin ou tard le soir, où vous risqueriez de gêner des gens.
- N'utilisez jamais le produit dans une atmosphère explosive.
- Évitez d'utiliser le produit par mauvais temps, en particulier en cas de risque d'éclairs.
- N'utilisez pas cet outil dans une zone mal éclairée. L'opérateur doit avoir une bonne vue d'ensemble de la zone de travail pour identifier les dangers éventuels.
- L'utilisation d'outils similaires alentour augmente le risque d'atteinte à l'audition

ainsi que le risque que d'autres personnes entrent dans la zone de travail.

- Gardez toujours un bon appui dans les pentes. Marchez, ne courez jamais.
- N'approchez pas vos mains ou toute partie de votre corps ni vos vêtements de la chambre d'alimentation, de la sortie d'éjection, ou de tout élément en mouvement.
- Gardez un bon appui et un bon équilibre. Ne travaillez pas en extension, vous pourriez perdre l'équilibre.
- N'utilisez jamais un produit dont les carters ou les protections sont endommagés ou dont les éléments de sécurité, comme le collecteur de débris, ne sont pas en place.
- Ne modifiez la machine d'aucune façon et n'utilisez pas de pièces ni d'accessoires non recommandés par le fabricant.

⚠ AVERTISSEMENT

Si le produit est tombé, a subi un choc important ou se met à vibrer de façon anormale, arrêtez-le immédiatement et recherchez les dommages éventuels ou identifiez la cause des vibrations. Toute pièce endommagée doit être correctement remplacée ou réparée par un service après-vente agréé

- Pour réduire les risques de blessures infligées par des pièces en rotation, arrêtez l'appareil avant de retirer le bloc de batterie. Vérifiez que toutes les pièces mobiles sont à l'arrêt complet avant de:
 - laisser le produit sans surveillance
 - éliminer les blocages ou décolmater les débris
 - vérifier, nettoyer ou travailler sur le produit
 - inspecter le produit après avoir heurté un objet étranger
- Éteignez immédiatement l'appareil et enlevez la batterie en cas d'accident ou de panne. N'utilisez plus le produit jusqu'à ce qu'il ait été entièrement vérifié par un service après-vente agréé.

AVERTISSEMENTS DE SÉCURITÉ RELATIFS AU SOUFFLAGE

- Portez un masque filtrant en conditions poussiéreuses pour éviter toute blessure due à l'inhalation des poussières.
- Humectez légèrement les surfaces en conditions poussiéreuses.
- N'utilisez pas le produit à proximité de fenêtres ouvertes.
- Utilisez la rallonge complète d'embout de soufflage afin que le souffle d'air agisse près du sol et soit plus efficace.
- Ne pointez pas l'extrémité du souffleur vers des personnes ou des animaux.
- N'introduisez jamais aucun objet dans les tubes du souffleur.
- Ne placez pas le produit sur ou près de débris. Les débris sont susceptibles d'être aspirés dans les entrées d'air, ce qui risquerait d'endommager l'appareil.

AVERTISSEMENTS DE SÉCURITÉ RELATIFS À L'ASPIRATION

⚠ AVERTISSEMENT

N'utilisez jamais l'aspirateur avec uniquement le tube supérieur en place. Le non-respect de cet avertissement augmente les risques de blessure grave.

REMARQUE: Sans le tube d'aspiration inférieur en place, il est plus facile d'atteindre l'intérieur du tube vers la lame du ventilateur.

- N'utilisez pas l'aspirateur sans que l'ensemble du sac de collecte des débris ne soit en place. Des débris volants pourraient causer de graves blessures. Assurez-vous que le sac de collecte des débris est en bon état et complètement fermé avant utilisation.
- Déplacez le produit de temps en temps le long du bord extérieur des débris. Pour éviter tout bourrage, ne plongez pas directement le tube d'aspiration dans le tas de débris.
- Maintenez le moteur plus haut que
- l'extrémité d'entrée du tube d'aspiration.
- Pour éviter d'occasionner de graves blessures ou des dommages à l'appareil, ne tentez pas d'aspirer des cailloux, du

verre brisé, des bouteilles ou autres objets similaires.

- Évitez les situations qui pourraient entraîner un départ de feu dans le sac de collecte des débris. Ne travaillez pas à proximité d'une flamme nue. N'aspirez pas les cendres chaudes d'une cheminée, le charbon de bois, les amas de brindilles. N'aspirez pas de mégots de cigares ou de cigarettes à moins qu'ils soient complètement froids.
- Maintenez toutes les parties de votre corps éloignées des parties en mouvement. Les pales de la turbine en rotation peuvent entraîner de graves blessures. Arrêtez le moteur et assurez-vous que les pales ont cessé de tourner avant d'ouvrir la trappe de l'aspirateur, de mettre en place/changer des tubes, d'ouvrir ou de retirer le sac de collecte des débris.
- Lorsque vous aspirez des éléments dans le produit, assurez-vous qu'ils ne comprennent pas des pièces en métal, des pierres, des bouteilles, des canettes ou d'autres corps étrangers.
- Ne laissez pas les éléments traités s'accumuler dans la zone de décharge. Cela peut empêcher la décharge correcte et entraîner un retour de matière par l'ouverture d'entrée.
- Si le produit est colmaté, arrêtez le moteur et retirez la batterie avant de nettoyer les débris.

MISES EN GARDE DE SÉCURITÉ SUPPLÉMENTAIRES CONCERNANT LA BATTERIE

⚠ AVERTISSEMENT

Pour réduire le risque d'incendie, de blessures ou d'endommagement du produit causé par un court-circuit, n'immergez jamais l'outil, le bloc de batterie ou le chargeur dans du liquide, et ne laissez jamais de liquide pénétrer dans aucun d'entre eux. Les fluides corrosifs ou conducteurs, tels que l'eau de mer, certains produits chimiques industriels, les produits de blanchiment ou contenant des agents de blanchiment, etc. peuvent provoquer un court-circuit.

TRANSPORT ET STOCKAGE

- Arrêtez le produit, retirez la batterie, et laissez-les refroidir avant de les ranger ou de les transporter.
- Débarrassez l'appareil de tous les corps étrangers. Rangez-le dans un endroit frais, sec et correctement ventilé, hors de portée des enfants. Ne le rangez pas à proximité d'agents corrosifs tels que des produits chimiques de jardinage ou des sels de dégel. Ne le rangez pas à l'extérieur.
- Pour le transport dans un véhicule, attachez le produit pour l'empêcher de bouger ou de tomber, afin d'éviter toute blessure et tout dommage matériel.

TRANSPORT DES BATTERIES AU LITHIUM

Transportez les batteries en conformité avec les dispositions et règlements locaux et nationaux.

Respectez toutes les exigences légales particulières concernant l'emballage et l'étiquetage des batteries lorsque vous confiez leur transport à un tiers. Assurez-vous qu'aucune batterie ne puisse entrer en contact avec une autre batterie ou avec des matériaux conducteurs lors de son transport en isolant les bornes électriques avec du ruban adhésif ou des capuchons isolants. Ne transportez pas une batterie qui serait fendue ou qui fuirait. Demandez conseil au transporteur pour de plus amples informations.

ENTRETIEN

⚠ AVERTISSEMENT

N'utilisez que des pièces détachées et accessoires d'origine constructeur. Le non-respect de cette précaution peut entraîner de mauvaises performances, des blessures, et annuler votre garantie.

⚠ AVERTISSEMENT

Les opérations d'entretien demandent un soin et des connaissances extrêmes et ne doivent être effectuées que par un technicien de service qualifié. Pour l'entretien et les réparations, apportez le produit à un service après-vente agréé. N'utilisez que des pièces détachées identiques pour effectuer les réparations.



EN
FR
DE
ES
IT
NL
PT
DA
SV
FI
NO
RU
PL
CS
HU
RO
LV
LT
ET
HR
SL
SK
BG
UK
TR

- N'effectuez aucun réglage ni aucune réparation qui ne seraient décrits dans ce manuel. Pour toute autre réparation, contactez un service après-vente agréé.
- Après chaque utilisation, utilisez un chiffon propre et sec pour nettoyer le produit.
- Vérifiez régulièrement le bon serrage des écrous, vis et boulons pour vous assurer que le produit soit toujours en bon état de fonctionnement. Toute pièce endommagée doit être correctement remplacée ou réparée par un service après-vente agréé.
- Apportez le produit à un service après-vente agréé pour remplacer les étiquettes abîmées ou illisibles.

- Blessures dues aux vibrations.
 - Utilisez toujours un outil adapté au travail à effectuer, servez-vous des poignées appropriées et utilisez la vitesse la plus basse permettant de mener à bien la tâche.
- Perte d'audition provoquée par l'exposition au bruit.
 - Portez une protection auditive et limitez le temps d'exposition.
- Blessures causées par des objets volants dans courant d'air du tube du souffleur si le sac collecteur n'est pas fixé ou est endommagé.
 - Portez en permanence une protection oculaire.

DÉGAGEMENT D'UN BLOCAGE

- Pour réduire le risque de blessure associées à l'entrée en contact avec les éléments en rotation, il convient de toujours arrêter le produit, de retirer le bloc de batterie, et de s'assurer que tous les éléments en mouvement se sont bien arrêtés:
- Retirez le sac de collecte des débris. Vérifiez que le raccord du sac n'est pas bouché.
- Vérifiez l'ouverture du boîtier de la turbine et le tube du sac de débris à la recherche d'une obstruction flagrante. Rappelez-vous, même si la batterie a été retirée, la turbine et les lames de broyage sont susceptibles d'être en mouvement lorsque vous dégagez le blocage. Gardez les doigts éloignés de la turbine et des lames de broyage à tout moment.
- Ne tentez pas de retirer la turbine ou les lames de broyage. S'il est nécessaire de retirer la turbine et les lames de broyage, apportez le produit à un service après-vente agréé.
- Remettez en place les tubes et le sac de collecte des débris avant d'insérer le bloc de batterie et de démarrer le produit.

RÉDUCTION DES RISQUES

Il a été reporté que les vibrations engendrées par les outils tenus à la main peuvent contribuer à l'apparition d'un état appelé le syndrome de Raynaud chez certaines personnes. Les symptômes peuvent comprendre des fourmillements, un engourdissement et un blanchiment des doigts, généralement par temps froid. Des facteurs héréditaires, l'exposition au froid et à l'humidité, le régime alimentaire, le tabagisme et les habitudes de travail peuvent contribuer au développement de ces symptômes. Certaines mesures peuvent être prises par l'utilisateur pour aider à réduire les effets des vibrations:

- Gardez votre corps au chaud par temps froid. Lorsque vous utilisez le produit, portez des gants afin de garder vos mains et vos poignets au chaud.
- Après chaque session de travail, pratiquez des exercices qui favorisent la circulation sanguine.
- Faites des pauses fréquentes. Limitez la quantité d'exposition journalière.

Si vous ressentez l'un des symptômes associés à ce syndrome, arrêtez immédiatement le travail et consultez votre médecin pour lui en faire part.

RISQUES RÉSIDUELS

Même lorsque le produit est utilisé selon les prescriptions, il reste impossible d'éliminer totalement certains facteurs de risque résiduels. Les dangers suivants risquent de se présenter en cours d'utilisation et l'utilisateur doit prêter particulièrement garde à ce qui suit:

⚠ AVERTISSEMENT

L'utilisation prolongée d'un outil est susceptible de provoquer ou d'aggraver des blessures. Assurez-vous de faire des pauses de façon régulière lorsque vous utilisez tout outil de façon prolongée.



APPRENEZ À CONNAÎTRE VOTRE PRODUIT

Voir page 161.

1. Poignée avant
2. Poignée à libération rapide
3. Coussin d'épaule
4. Levier de régulateur de vitesse
5. Bouton turbo
6. Poignée
7. Gâchette
8. Levier de sélection de mode souffleur/ aspirateur
9. Adaptateur pour sac
10. Sac d'aspirateur
11. Tube inférieur du souffleur
12. Roues de guidage
13. Tube d'aspiration inférieur
14. Tube d'aspiration supérieur
15. Filetage de type frein filet

SYMBOLES APPLIQUÉS SUR LE PRODUIT



Lisez et comprenez toutes les instructions avant d'utiliser le produit, respectez tous les avertissements et toutes les instructions de sécurité.



Prenez garde à la projection d'objets au sol et dans les airs. Gardez tous les passants, en particulier les enfants et les animaux, éloignés d'au moins 15 m de distance de la zone de travail.



Turbine rotative. Éloignez les mains et les pieds des ouvertures du produit en fonctionnement.



Portez une protection auditive.



Portez une protection oculaire.



N'exposez pas ce produit à la pluie ou à des conditions humides.



Le niveau de puissance sonore garanti est de 99 dB



Accessoire compatible: RAC364



Retirez le bloc de batterie avant de commencer un quelconque travail sur le produit.



Tirer: Languette de déverrouillage rapide



Cet outil est conforme à l'ensemble des normes réglementaires du pays de l'UE où il a été acheté.



Marque de conformité d'Eurasie



Marque de conformité ukrainienne



Les produits électriques hors d'usage ne doivent pas être jetés avec les ordures ménagères. Recyclez-les par l'intermédiaire des structures disponibles. Contactez les autorités locales ou votre distributeur pour vous renseigner sur les conditions de recyclage.



Mode souffleur




Mode aspirateur

SYMBOLES DE CE MANUEL

 Remarque

 **AVERTISSEMENT**

 Pièces détachées et accessoires vendus séparément

Les symboles suivants, et les noms qui leur sont associés, permettent d'expliquer les différents niveaux de risques liés à l'utilisation de cet outil.

⚠ DANGER
 Imminence d'un danger qui, si l'on n'y prend garde, peut entraîner la mort ou des blessures graves.

⚠ AVERTISSEMENT
 Situation potentiellement dangereuse qui, si l'on n'y prend garde, peut entraîner la mort ou des blessures graves.

⚠ ATTENTION
 Situation potentiellement dangereuse qui, si l'on n'y prend garde, peut entraîner des blessures moyennes ou légères.

ATTENTION
 Sans symbole d'alerte de sécurité
 Indique une situation pouvant entraîner des dommages matériels.

Sicherheit, Leistung und Zuverlässigkeit hatten oberste Priorität bei der Entwicklung Ihres Akku-Blasgeräts/Sauggeräts.

BESTIMMUNGSGEMÄSSE VERWENDUNG

Das Akku-Blasgerät/Sauggerät ist nur zur Benutzung im Freien bei trockenen Bedingungen und guter Beleuchtung vorgesehen.

Dieses Produkt ist nicht für Kinder oder Personen mit verminderten physischen, geistigen oder sensorischen Fähigkeiten geeignet.

Das Produkt ist zum Wegblasen und Saugen von leichtem Kehrgut, wie Laub, Gras und anderen Gartenabfällen vorgesehen. Es dient dazu, Schmutz und Blätter einzusaugen und zu zerkleinern und im Auffangbeutel zu lagern.

Das Produkt ist nicht dafür konstruiert, Wasser oder andere Flüssigkeiten einzusaugen. Es darf zu keinen anderen Zwecken verwendet werden.

ALLGEMEINE SICHERHEITSWARNUNGEN

⚠️ WARNUNG

Lesen Sie alle Sicherheitshinweise und Anweisungen. Versäumnisse bei der Einhaltung der Sicherheitshinweise und Anweisungen können elektrischen Schlag, Brand und/oder schwere Verletzungen verursachen. Bewahren Sie alle Sicherheitshinweise und Anweisungen für die Zukunft auf.

⚠️ WARNUNG

Erlauben Sie niemals Kindern oder Personen, die mit diesen Anweisungen nicht vertraut sind, das Produkt zu benutzen. Die lokale Gesetzgebung regelt das Mindestalter des Benutzers.

UNTERWEISUNG

- Lesen Sie die Anweisungen sorgfältig durch. Machen Sie sich mit den Bedienelementen und dem ordnungsgemäßen Gebrauch des Produktes vertraut.
- Vergessen Sie nie, dass der Benutzer verantwortlich ist für Unfälle und Gefahren

die an Eigentum Fremder oder an anderen Personen entstehen könnte.

- Arbeiten Sie niemals mit dem Produkt, wenn Sie müde oder krank sind, oder unter dem Einfluss von Alkohol, Drogen oder Medikamenten stehen.

VORBEREITUNG

- Einige Regionen können Vorschriften haben, die die Benutzung dieses Produktes auf bestimmte Tätigkeiten beschränken. Lassen Sie sich von Ihrer örtlichen Behörde beraten.
- Tragen Sie immervollen Gehörschutz, wenn Sie das Produkt benutzen. Das Produkt ist extrem laut und dauerhafter Hörschaden kann entstehen, wenn die Anweisungen zu Exposition, Lärmreduzierung und Gehörschutz nicht streng befolgt werden.
- Tragen Sie immer vollen Augenschutz, wenn Sie das Produkt benutzen. Der Hersteller empfiehlt dringend eine volle Gesichtsmaske oder voll geschlossene Schutzbrille zu tragen. Normale Brillen oder Sonnenbrillen sind kein ausreichender Schutz. Gegenstände können mit hoher Geschwindigkeit geschleudert werden und von harten Oberflächen in Richtung Benutzer abprallen.
- Tragen Sie beim Betrieb des Produktes immer festes Schuhwerk und lange Hosen. Arbeiten Sie mit der Maschine niemals Barfuß oder mit offenen Sandalen. Vermeiden Sie locker sitzende Kleidung oder Kleidung mit Schnüren oder Bändern zu tragen.
- Tragen Sie keine lose Kleidung oder Schmuck, die in den Luftenlass gesaugt werden könnten. Binden Sie lange Haare zurück, so dass diese sich über Schulterhöhe befinden um zu verhindern, dass sie sich in beweglichen Teilen verfangen.
- Stellen Sie vor jeder Benutzung sicher, dass alle Bedienelemente und Sicherheitsvorrichtung ordnungsgemäß funktionieren. Benutzen Sie das Produkt nicht, wenn der "Aus" -Schalter den Motor nicht stoppt.
- Bedienen Sie das Produkt in der empfohlenen Position und nur auf einem festen, ebenen Untergrund.
- Betreiben Sie diese Maschine nicht



auf gepflastertem Untergrund oder Schotter, wo ausgeworfenes Material zu Verletzungen führen könnte.

- Überprüfen Sie das Gehäuse vor jeder Benutzung auf Beschädigung. Stellen Sie sicher, dass alle Schutzabdeckungen und Griffe montiert und ordnungsgemäß gesichert sind. Ersetzen Sie abgenutzte oder beschädigte Teile satzweise, um das Gleichgewicht zu erhalten. Ersetzen Sie beschädigte oder unleserliche Etiketten.
- Benutzen Sie nicht das Produkt, wenn andere Personen, insbesondere Kinder, in der Nähe sind.
- Halten Sie alle Lüftungseinlässe von Verunreinigungen frei.
- Verwenden Sie Rechen und Besen um Verschmutzungen zu lösen, bevor sie das Blasergerät einsetzen.
- Untersuchen Sie vor jeder Benutzung den Arbeitsbereich. Entfernen Sie alle Objekte wie z.B. Steine, zerbrochenes Glas, Nägel, Draht oder Fäden, die von dem Luftstrom eine beträchtliche Distanz geblasen werden können.

▲ WARNUNG

Vor dem Einsatz im Saugmodus müssen das obere und untere Saugrohr miteinander verbunden werden. Dies ist nur beim ersten Einsatz erforderlich. Benutzen Sie den Sauger niemals mit nur dem oberen Saugrohr montiert. Die Gefahr von Verletzungen wird erheblich vergrößert, wenn Sie die folgenden Warnungen nicht beachten.

VERWENDUNG UND BEHANDLUNG DES AKKUWERKZEUGES

- Laden Sie die Akkus nur in Ladegeräten auf, die vom Hersteller empfohlen werden. Für ein Ladegerät, das für eine bestimmte Art von Akkus geeignet ist, besteht Brandgefahr, wenn es mit anderen Akkus verwendet wird.
- Verwenden Sie nur die dafür vorgesehenen Akkus in den Elektrowerkzeugen. Der Gebrauch von anderen Akkus kann zu Verletzungen und Brandgefahr führen.
- Halten Sie den nicht benutzten Akku fern von Büroklammern, Münzen, Schlüsseln, Nägeln, Schrauben oder anderen

kleinen Metallgegenständen, die eine Überbrückung der Kontakte verursachen könnten. Ein Kurzschluss zwischen den Akkukontakten kann Verbrennungen oder Feuer zur Folge haben.

- Bei falscher Anwendung kann Flüssigkeit aus dem Akku austreten; vermeiden Sie den Kontakt damit. Bei zufälligem Kontakt mit Wasser abspülen. Wenn die Flüssigkeit in die Augen kommt, nehmen Sie zusätzlich ärztliche Hilfe in Anspruch. Austretende Akkuflüssigkeit kann zu Hautreizungen oder Verbrennungen führen.
- Verwenden Sie keinen beschädigten oder modifizierten Akkupack oder Werkzeuge. Beschädigte oder modifizierte Akkus können zu unvorhersehbaren Reaktionen führen, was zu Feuer, Explosion oder Verletzungsgefahr führt.
- Setzen Sie einen Akkupack oder Werkzeuge nicht Feuer oder zu hohen Temperaturen aus. Feuereinwirkung oder hohe Temperaturen über 130°C können zu einer Explosion führen.
- Befolgen Sie alle Ladeanweisungen und laden Sie den Akkupack nicht außerhalb des in der Anleitung angegebenen Temperaturbereichs auf. Bei unsachgemäßer Aufladung oder Aufladung bei Temperaturen außerhalb des angegebenen Bereichs kann der Akku beschädigt und das Brandrisiko erhöht werden.

BETRIEB

- Stellen Sie vor dem Start des Produktes sicher, dass die Zufuhrkammer leer ist.
- Halten Sie Ihr Gesicht und Körper fern von der Zuführöffnung.
- Betreiben Sie die Maschine nur zu angemessenen Zeiten – nicht früh am Morgen oder spät am Abend, wenn das andere Personen stören könnte.
- Benutzen Sie das Produkt niemals in explosionsfähiger Atmosphäre.
- Vermeiden Sie es das Produkt bei schlechtem Wetter zu benutzen, besonders bei Gefahr von Blitzschlag.
- Nicht bei schlechter Beleuchtung verwenden. Der Benutzer braucht einen ungehinderten Blick auf den Arbeitsbereich, um mögliche Gefahren zu erkennen.



- Der Betrieb ähnlicher Werkzeuge in der Umgebung erhöht das Risiko von Gehörschäden und die Wahrscheinlichkeit, dass andere Personen Ihren Arbeitsbereich betreten.
- Achten Sie bei der Arbeit an Hängen auf einen festen Stand. Gehen Sie immer, laufen Sie nie.
- Halten Sie nicht Ihre Hände oder andere Körperteile oder Kleidung in die Zuführkammer, den Auswurfschacht oder in die Nähe anderer sich bewegender Teile.
- Sorgen Sie für einen sicheren Stand und halten Sie das Gleichgewicht. Vermeiden Sie eine abnormale Körperhaltung. Eine abnormale Körperhaltung kann zu Gleichgewichtsverlust führen.
- Betreiben Sie das Produkt niemals mit defekten Schutzvorrichtungen oder Abschirmungen, oder ohne Sicherheitsvorrichtungen, wie z.B. angebrachtem Kehrgutfänger.
- Verändern Sie die Maschine nicht auf irgendeine Weise, und verwenden Sie keine Teile oder Zubehör die vom Hersteller nicht empfohlen sind.

▲ WARNUNG

Wenn das Produkt fallen gelassen wurde oder einen schweren Schlag erhielt oder anfängt, ungewöhnlich zu vibrieren, stoppen Sie das Produkt sofort und überprüfen es auf Schäden oder identifizieren Sie die Ursache der Vibration. Jeder Schaden sollte durch den autorisierten Kundendienst ordnungsgemäß repariert oder ausgetauscht werden.

- Um das Verletzungsrisiko bei Kontakt mit rotierenden Teilen zu verringern, halten Sie das Produkt immer an und nehmen Sie den Akkupack heraus. Stellen Sie sicher, dass alle beweglichen Teile zum Stillstand gekommen sind, bevor:
 - Sie das Produkt unbeaufsichtigt zurücklassen
 - Sie Verstopfungen entfernen oder das Rohr reinigen
 - Sie das Produkt prüfen, reinigen oder daran arbeiten

- Sie das Produkt auf Schäden überprüfen, nachdem ein Fremdkörper getroffen wurde
- Im Falle eines Unfalls oder einer Betriebsstörung schalten Sie sofort das Gerät aus und entfernen Sie den Akku. Das Produkt darf nicht wieder in Betrieb genommen werden, bis es vollständig von einem autorisierten Kundendienst überprüft wurde.

BLÄSER SICHERHEITSWARNUNGEN

- Tragen Sie bei staubigen Bedingungen einen Atemschutz um das Verletzungsrisiko durch das Einatmen von Staub zu verringern.
- Befeuchten Sie bei staubigen Bedingungen die Oberflächen leicht.
- Betreiben Sie die Maschine nicht in der Nähe eines geöffneten Fensters.
- Verwenden Sie die Verlängerung der Düse, so dass der Luftstrom nah am Boden und effektiv arbeiten kann.
- Richten Sie die Gebläsedüse niemals auf Personen oder Tiere.
- Stecken Sie niemals Gegenstände in die Gebläserohre.
- Legen Sie das Gebläse nicht auf oder in die Nähe losen Kehrguts. Das Kehrgut könnte in den Lufteinlass gesaugt werden und möglicherweise das Gerät beschädigen.

SAUGER SICHERHEITSWARNUNGEN

▲ WARNUNG

Benutzen Sie den Sauger niemals mit nur dem oberen Saugrohr montiert. Die Nichtbeachtung dieser Warnung kann zu schweren Personenschäden führen.

- HINWEIS:** Es ist weitaus einfacher, in das Rohr zu greifen und den Gebläseflügel zu erreichen, wenn Sie das untere Saugrohr entfernen.
- Verwenden Sie den Sauger niemals, solange der Sammelbeutel nicht montiert ist. Umherfliegendes Kehrgut kann schwere Verletzungen verursachen. Stellen Sie vor der Benutzung sicher, dass der Auffangsack in gutem Zustand und vollständig geschlossen ist.

- Bewegen Sie das Produkt von der Außenseite des Saugguts her von einer Seite zur anderen. Halten Sie zur Vermeidung von Verstopfungen das Saugerrohr nicht direkt in den Kehrguthaufen hinein.
- Halten Sie den Motor höher als das Einlassende des Saugerrohrs.
- Vermeiden Sie schwere Verletzungen des Benutzers und eine Beschädigung des Geräts, indem Sie keine Steine, zerbrochenes Glas, Flaschen oder andere ähnliche Objekte aufsaugen.
- Vermeiden Sie Situationen die Feuer in dem Sammelbeutel verursachen können. Nicht in der Nähe einer offenen Flame verwenden. Saugen Sie niemals heiße Asche aus Kaminen, Grills, Kehrhaufen usw. Saugen Sie niemals weggeworfene Zigarren oder Zigaretten auf, sofern diese nicht vollständig ausgekühlt sind.
- Halten Sie alle Körperteile von den sich bewegenden Teilen fern. Rotierende Laufradflügel können schwere Verletzungen verursachen. Schalten Sie den Motor aus und vergewissern Sie sich, dass die Flügelklingen aufgehört haben sich zu drehen, bevor Sie die Saugerklappe öffnen, Rohre anbringen/wechseln oder den Auffangbeutel öffnen oder entfernen.
- Achten Sie beim Einsaugen von Material in das Produkt darauf, dass sich darunter keine Metallstücke, Steine, Flaschen, Dosen oder andere Fremdkörper befinden.
- Achten Sie darauf, dass sich im Fließbereich keine verarbeiteten Materialien stauen. Dies kann die ordnungsgemäße Ableitung verhindern und dazu führen, dass Material durch die Ansaugöffnung wieder austritt.
- Sollte das Produkt verstopfen, so schalten Sie den Motor ab und entfernen Sie den Akku, ehe Sie die aufgestauten Teile entfernen.

WEITERE SICHERHEITSHINWEISE ZUM AKKU

⚠ WARNUNG

Um die durch einen Kurzschluss verursachte Gefahr eines Brandes, von Verletzungen oder Produktbeschädigungen zu vermeiden, tauchen Sie das Werkzeug, den Wechselakku oder das Ladegerät nicht in Flüssigkeiten ein und sorgen Sie dafür, dass keine Flüssigkeiten in die Geräte und Akkus eindringen. Korrodierende oder leitfähige Flüssigkeiten, wie Salzwasser, bestimmte Chemikalien und Bleichmittel oder Produkte, die Bleichmittel enthalten, können einen Kurzschluss verursachen.

TRANSPORT UND LAGERUNG

- Stoppen Sie das Produkt, entfernen Sie den Akku und lassen es abkühlen, bevor Sie es lagern oder transportieren.
- Entfernen Sie alle Fremdkörper vom Produkt. Lagern Sie das Produkt an einem kühlen, trockenen und gut belüfteten Ort, der Kindern keinen Zugang bietet. Von korrodierend wirkenden Stoffen, wie Gartenchemikalien und Enteisungssalzen, fernhalten. Nicht im Freien lagern.
- Sichern Sie das Produkt beim Transport in einem Fahrzeug gegen Bewegung oder Herunterfallen, um Verletzungen an Personen und Beschädigung des Produkts zu verhindern.

TRANSPORT VON LITHIUM-IONEN- AKKUS

Transportieren Sie Akkus gemäß Ihren örtlichen und nationalen Bestimmungen und Regeln.

Befolgen Sie alle besonderen Anforderungen für Verpackung und Beschriftung, wenn Sie Akkus von Dritten transportieren lassen. Stellen Sie sicher, dass beim Transport kein Akku in Kontakt mit anderen Akkus oder leitenden Materialien kommt, indem Sie die freien Anschlüsse mit Isolierband, nichtleitenden Kappen oder Kleband schützen. Beschädigte oder auslaufende Akkus dürfen nicht transportiert werden. Weitere Informationen erhalten Sie bei Ihrem Transportunternehmen.

WARTUNG UND PFLEGE

⚠ WARNUNG

Verwenden Sie ausschließlich original Ersatzteile, Zubehör und Aufsätze des Herstellers. Nichtbefolgung kann mögliche Verletzungen oder schlechte Leistung verursachen und Ihre Garantie ungültig machen.

⚠ WARNUNG

Service und Wartung des Gerätes erfordert besonderen Sorgfalt und Kenntnisstand und sollte nur durch qualifiziertes Personal durchgeführt werden. Bringen Sie das Produkt zur Wartung zu einem autorisierten Kundendienst. Beim Service sollten Sie nur originale Ersatzteile benutzen.

- Führen Sie keine Einstellungen oder Reparaturen durch, die nicht in dieser Bedienungsanleitung beschrieben werden. Kontaktieren Sie Ihren autorisierten Kundendienst für andere Reparaturen.
- Reinigen Sie das Produkt nach jeder Benutzung mit einem weichen, trockenen Lappen.
- Überprüfen Sie Bolzen, Muttern und Schrauben immer wieder, ob alle fest angezogen sind, so dass das Produkt in einem sicheren Zustand ist. Jedes beschädigte Teil muss durch den autorisierten Kundendienst ordnungsgemäß repariert oder ausgetauscht werden.
- Bringen Sie das Produkt einem autorisierten Kundendienst zurück, um beschädigte oder unleserliche Aufkleber zu ersetzen.

ENTFERNUNG EINER BLOCKIERUNG

- Damit die Gefahr durch sich drehenden Teile verringert wird, stoppen Sie das Produkt immer, entfernen Sie den Akkupack und stellen sicher, dass alle sich drehende Teile gestoppt haben.
- Entfernen Sie die Blasrohre, um sie auf Verstopfung zu kontrollieren. Reinigen Sie die Rohre, wenn erforderlich.
- Entfernen Sie den Auffangsack. Überprüfen Sie, dass der Adapter zum Auffangsack nicht verstopft ist.

- Überprüfen Sie die Öffnung des Lüftergehäuses und das Rohr zu dem Auffangsack auf Verstopfungen. Auch wenn der Akku entfernt ist, können der Lüfter und die Mulchmesser sich bewegen während Sie Verstopfungen entfernen. Halten Sie Ihre Finger immer von dem Lüfter und den Mulchmesser fern.
- Versuchen Sie nicht den Lüfter oder die Mulchmesser zu entfernen. Wenn es erforderlich ist, den Lüfter und die Mulchmesser zu entfernen, bringen Sie das Produkt zu einem autorisierten Kundendienst.
- Montieren Sie die Rohre und den Auffangsack wieder, bevor Sie den Akku einlegen und das Produkt starten.

RESTRISIKEN

Sogar wenn das Produkt wie vorgeschrieben benutzt wird, ist es unmöglich ein gewisses Restrisiko vollständig zu beseitigen. Die folgenden Gefahren können bei der Benutzung entstehen, und der Benutzer sollte besonders auf folgende Punkte achten:

- Durch Vibrationen verursachte Verletzungen.
 - Verwenden Sie immer das richtige Werkzeug für die Aufgabe, benutzen Sie die vorgesehenen Griffe und setzen die niedrigste erforderliche Geschwindigkeit ein, um die Aufgabe zu erledigen.
- Lärm kann zu Gehörschaden führen.
 - Tragen Sie einen Gehörschutz und schränken Sie die Belastung ein.
- Verletzungen durch fliegende Objekte, die durch den Luftdruck aus dem Blasrohr austreten können, wenn der Auffangbeutel nicht richtig befestigt oder beschädigt ist.
 - Tragen Sie immer einen Augenschutz.

RISIKOVERRINGERUNG

Vibrationen von in der Hand gehaltenen Werkzeugen können bei einigen Personen zu einem Zustand, der Raynaud-Syndrom genannt wird, führen. Symptome sind u.a. Kribbeln, Taubheitsgefühl und episodische Weißfärbung der Finger und treten normalerweise bei Kälte auf. Man geht davon aus, dass ererbte Faktoren, Kälte und Feuchtigkeit, Essgewohnheiten, Rauchen und Arbeitsweise zur Entwicklung dieser Symptome beitragen. Der Anwender kann

Maßnahmen ergreifen, um die Auswirkungen der Vibrationen möglicherweise zu verringern:

- Halten Sie den Körper bei Kälte warm. Tragen Sie beim Betrieb des Produkts Handschuhe, um Hände und Handgelenke warm zu halten.
- Betätigen Sie sich nach jedem Einsatz körperlich, um den Blutkreislauf zu steigern.
- Machen Sie regelmäßig Pausen. Beschränken Sie die Beanspruchung pro Tag.

Sollten bei Ihnen Symptome dieses Zustands auftreten, stellen Sie unverzüglich den Betrieb ein und suchen Sie in Hinsicht auf die Symptome einen Arzt auf.

⚠️ WARNUNG

Verletzungen können durch lange Benutzung eines Werkzeugs entstehen oder verschlimmert werden. Machen Sie regelmäßig Pause, wenn Sie ein Werkzeug für lange Zeit benutzen.

MACHEN SIE SICH MIT IHREM PRODUKT VERTRAUT

Siehe Seite 161.

1. Vorderer Haltegriff
2. Schnellauslösehebel
3. Schulterpolster
4. Tempomathebel
5. Turbotaste
6. Griff
7. Auslöser
8. Blas-/Saugmodus Wählhebel
9. Beuteladapter
10. Saugerbeutel
11. Untere Blaseröhre
12. Führungsrollen
13. Unteres Saugrohr
14. Oberes Saugrohr
15. Schraubengewinde

SYMBOLE AUF DEM PRODUKT



Lesen und verstehen Sie alle Anweisungen, bevor Sie das Produkt benutzen, befolgen Sie alle Warnungen und Sicherheitsanweisungen.



Achten Sie auf geschleuderte oder fliegende Objekte. Halten Sie unbeteiligte Personen (insbesondere Kinder und Tiere) mindestens 15m vom Arbeitsbereich fern.



Rotierende Lüfterräder. Halten Sie Hände und Füße von den Öffnungen fern während das Produkt in Betrieb ist.



Tragen Sie einen Gehörschutz.



Tragen Sie einen Augenschutz.



Nicht Regen oder feuchten Bedingungen aussetzen.



Der garantierte Schallleistungspegel beträgt 99 dB(A).



Kompatibles Zubehör: RAC364



Entfernen Sie den Akku, bevor Sie mit Arbeiten an dem Produkt beginnen.



Ziehen: Schnellverschluss



Dieses Gerät entspricht allen gesetzlichen Normen des Landes der Europäischen Union, in dem es gekauft wurde.



EurAsian Konformitätszeichen



Ukrainisches Prüfzeichen



Elektrische Geräte sollten nicht mit dem übrigen Müll entsorgt werden. Bitte entsorgen Sie diese an den entsprechenden Entsorgungsstellen. Wenden Sie sich an die örtliche Behörde oder Ihren Händler, um Auskunft über die Entsorgung zu erhalten.



Gebläsebetrieb



Saugbetrieb

SYMBOLS IN DIESER BEDIENUNGSANLEITUNG



HINWEIS



WARNUNG



Teile oder Zubehör getrennt erhältlich

Mit den folgenden Symbolen wird die Bedeutung der verschiedenen Risikostufen, die mit dem Produkt einhergehen, dargestellt.

⚠ **GEFAHR**

Weist auf eine unmittelbare gefährliche Situation hin, die, falls nicht vermieden, zu Tod oder ernsthafter Verletzung führen kann.

⚠ **WARNUNG**

Weist auf eine mögliche gefährliche Situation hin, die, falls nicht vermieden, zu Tod oder ernsthafter Verletzung führen kann.

⚠ **VORSICHT**

Weist auf eine mögliche gefährliche Situation hin, die, falls nicht vermieden, zu einer leichten oder mittleren Verletzung führen kann.

VORSICHT

Ohne Sicherheitswarnsymbol
Bezeichnet eine Situation die zu
Sachbeschädigungen führen kann.

Seguridad, desempeño y fiabilidad son las prioridades en el diseño de su aspirador/soplador inalámbrico.

USO PREVISTO

El soplador/aspirador inalámbrico solo es apto para exterior, en condiciones secas y con una buena iluminación.

Este producto no debe ser utilizado por niños o personas con discapacidad física, mental o sensorial.

El producto está diseñado para soplar y aspirar residuos ligeros incluyendo hojas, césped y otros residuos de jardín. Está destinado a aspirar, compostar y depositarlo en una bolsa recolectora.

El producto no está diseñado para succionar agua ni otros líquidos. No la use para ninguna otra finalidad.

ALERTA DE SEGURIDAD GENERAL

⚠ ADVERTENCIA

Lea todas las advertencias de peligro e instrucciones. El incumplimiento de las advertencias e instrucciones puede provocar descargas eléctricas, incendios y/o lesiones graves. Conserve estas advertencias e instrucciones para poder consultarlas posteriormente.

⚠ ADVERTENCIA

Nunca permita que niños o personas no familiarizadas con las instrucciones utilicen este producto. Las regulaciones locales pueden restringir la edad del operario.

APRENDIZAJE

- Lea las instrucciones cuidadosamente. Familiarícese con los controles y el uso adecuado del producto.
- Tenga presente que el operario o usuario es responsable de los accidentes o riesgos que le puedan ocurrir a otras personas o a su propiedad.
- No utilice el producto cuando esté cansado, enfermo o bajo la influencia del alcohol, las drogas o medicamentos.

PREPARACIÓN

- Algunas regiones tienen normativas que restringen el uso del producto para algunas operaciones. Consulte con su autoridad local para obtener información.
- Lleve puesta una protección para los oídos en todo momento mientras maneja el aparato. Esta máquina es muy ruidosa y puede provocar daños permanentes a la audición puede resultar si no se respetan estrictamente las precauciones necesarias para limitar la exposición y reducir el ruido usando protección auditiva.
- Lleve puesta una protección total para los ojos en todo momento mientras maneja este aparato. El fabricante recomienda encarecidamente el uso de una máscara completa o de unas gafas protectoras totalmente cerradas. Las gafas normales o de sol no son una protección adecuada. En cualquier momento, los objetos pueden salir despedidos a gran velocidad debido al potente chorro de aire y pueden rebotar en superficies duras hacia el operador.
- Mientras esté manipulando el producto, use siempre calzado sólido y pantalones largos. No utilice la máquina si está descalzo o lleva sandalias. Evite usar ropa suelta o de la que cuelguen cordones o lazos.
- No lleve ropa suelta ni abalorios que pueda absorber la entrada de aire. Recoja el cabello largo para que quede por encima del nivel de los hombros y evitar así que se enmarañe en cualquier pieza móvil.
- Antes de cada uso, asegúrese de que todos los controles y dispositivos de seguridad funcionan correctamente. No utilice el aparato si el interruptor "off" no para el motor.
- Operar el producto en la posición recomendada y sólo en una superficie firme y nivelada.
- No haga funcionar la máquina en una superficie pavimentada o con grava donde el material eyectado pueda causar lesiones.
- Compruebe siempre que no hay daños en la carcasa antes de cada uso. Asegúrese de que las protecciones y los mangos están en su sitio y bien fijados. Reemplace los componentes desgastados o dañados en grupos para preservar el equilibrio.

Reemplace las etiquetas ilegibles o dañadas.

- No haga funcionar la máquina mientras haya cerca personas, especialmente niños, o animales.
- Mantenga todos los orificios de refrigeración libres de cualquier residuo.
- Utilice rastrillos y escobillas para ablandar los restos antes de soplar.
- Limpie el área de trabajo antes de cada uso. Retire todos los objetos como piedras, cristales rotos, clavos, alambre o cuerda que puedan volar a una distancia considerable a alta velocidad.

▲ ADVERTENCIA

Antes de usar el producto en modo aspirador, debe unir los tubos de aspiración superior e inferior. Esta operación solo ha de realizarse una vez. Nunca utilice el aspirador teniendo colocado únicamente el tubo de vacío superior. El riesgo de lesiones corporales aumentará significativamente si no respeta esta advertencia.

USO Y CUIDADO DE LA HERRAMIENTA

- Recargue la unidad solamente con el cargador especificado por el fabricante. Podría haber un riesgo de incendio cuando se utilice un cargador con una batería para la que no está diseñado.
- Utilice sólo herramientas eléctricas específicamente diseñadas para ellos. Utilizar cualquier otro tipo de baterías puede causar lesiones o un riesgo de incendio.
- Cuando la batería no está en uso, manténgala alejada de otros objetos metálicos como clips, monedas, llaves, clavos, tornillos u otros objetos metálicos pequeños que puedan crear una conexión desde una terminal a otra. Causar un cortocircuito en los terminales de la batería puede causar quemaduras o un incendio.
- En condiciones abusivas, podría salir expulsado líquido de la batería, por lo que debería evitar el contacto con éste. Si se produce un contacto accidental, enjuáguese las manos con agua. Si el líquido entra en contacto con los ojos, acuda inmediatamente al médico. Si el

líquido es expulsado de la batería y entra en contacto con él, podría causar irritación o quemaduras.

- No utilice un paquete de baterías o una herramienta que esté dañado o modificado. Las baterías dañadas o modificadas pueden presentar un comportamiento impredecible y provocar fuego, explosión o riesgo de lesión.
- No exponga el paquete de baterías o la herramienta al fuego o a temperaturas excesivas. La exposición al fuego o a una temperatura excesiva superior a 130°C puede provocar una explosión.
- Siga todas las instrucciones de carga y no cargue el paquete de baterías o la herramienta fuera del rango de temperatura especificado en las instrucciones. La carga inadecuada o a temperaturas fuera del rango especificado puede dañar la batería e incrementar el riesgo de fuego.

UTILIZACIÓN

- Antes de arrancar el producto, asegúrese de que la cámara de alimentación está vacía.
- Mantenga su rostro y cuerpo lejos de la apertura de alimentación.
- Utilice la máquina sólo a horas razonables - no muy temprano por la mañana o tarde por la noche cuando pueda molestar a otras personas.
- No utilice el producto en atmósferas explosivas.
- Evite utilizar el aparato en malas condiciones atmosféricas, especialmente cuando haya riesgo de relámpago.
- No trabaje con esta herramienta en una zona mal iluminada. El operador debe tener una visión clara de la zona de trabajo para identificar peligros potenciales.
- Utilizar herramientas similares a poca distancia aumenta tanto el riesgo de lesión auditiva como el riesgo potencial de que otras personas accedan a su área de trabajo.
- Asegúrese siempre de mantener el equilibrio y de no situarse en pendientes. Camine, nunca corra.
- No permita que las manos o cualquier otra parte del cuerpo o la ropa acceda al interior de la cámara de alimentación, tubo de

descarga, o esté cerca de cualquier parte móvil.

- Mantenga su pisada firme y su equilibrio. No se extienda demasiado. Si lo hace, podrá perder el equilibrio.
- No haga funcionar el producto con cubiertas o protecciones defectuosas, o sin dispositivos de seguridad, por ejemplo, sin el colector de desechos en su lugar.
- No modifique la herramienta de modo alguno ni utilice piezas o accesorios que no sean los recomendados por el fabricante.

⚠ ADVERTENCIA

Si el aparato se cae, sufre un impacto fuerte o empieza a vibrar de manera anormal, párelo inmediatamente y compruebe si está dañado o identifique el motivo de la vibración. La reparación de daños y la sustitución de piezas deben ser realizadas por un centro de servicio autorizado.

- Para reducir el riesgo de lesión asociado con el contacto con las piezas giratorias, detenga siempre el producto y quite el paquete de baterías. Asegúrese de que todas las piezas móviles se han detenido por completo antes de:
 - dejar el producto desatendido
 - limpiar obstrucciones o desatascar el canal
 - revisar, limpiar o trabajar en el producto
 - inspeccionar el producto después de golpear un objeto extraño
- Apague inmediatamente el aparato y retire la batería en el caso de accidente o avería. No vuelva a utilizar el producto hasta que un servicio de mantenimiento autorizado lo haya inspeccionado completamente.

ADVERTENCIAS DE SEGURIDAD DEL SOPLADOR

- Use una máscara de filtro en condiciones en las que haya mucho polvo para reducir el riesgo de lesiones asociadas con la inhalación de polvo.
- Humedezca ligeramente las superficies cubiertas de polvo.
- No maneje la máquina cerca de ventanas abiertas.

- Utilice toda la extensión de la boquilla del soplador para que el chorro de aire incida cerca del suelo y funcione de forma efectiva.
- No dirija la boquilla del soplador hacia personas o animales domésticos.
- No coloque objetos dentro de los tubos del soplador.
- No coloque el producto encima o cerca de restos sueltos. Los restos de basura pueden ser absorbidos por el orificio de entrada de aire dañando como resultado la unidad.

AVISOS DE SEGURIDAD DEL ASPIRADOR

⚠ ADVERTENCIA

Nunca utilice el aspirador teniendo colocado únicamente el tubo de vacío superior. El incumplimiento de esta advertencia aumenta el riesgo de lesiones personales.

NOTA: Es mucho más fácil llegar al aspa del ventilador por el interior del tubo sin colocar el tubo de aspiración inferior.

- No utilice el aspirador sin el conjunto de la bolsa colectora de suciedad instalada. Los restos que salen disparados pueden causar lesiones graves. Asegúrese de que la bolsa colectora de residuos está en buenas condiciones y completamente cerrada antes de poner en funcionamiento el aparato.
- Desplace el producto de un lado a otro por el borde exterior de los restos. Para evitar atascos, no coloque el tubo del aspirador directamente en el montón de escombros.
- Mantenga el motor más alto que el extremo de la entrada de aire del tubo del aspirador.
- Para evitar lesiones graves al operador o daños en la unidad, no intente aspirar piedras, cristales rotos, botellas u otros objetos similares.
- Evite situaciones que puedan causar fuego en la bolsa colectora de suciedad. No utilice la herramienta cerca de una llama expuesta. No aspire cenizas calientes de chimeneas, barbacoas, maleza apilada, etc. No aspire cigarrillos o cigarrillos desechados a menos que las cenizas se hayan enfriado completamente.

- Mantenga las piezas en movimiento alejadas de su cuerpo. Las aspas de rotación del impulsor pueden causar lesiones graves. Detenga el motor y asegúrese de que las cuchillas del rotor se hayan detenido antes de abrir la compuerta de aspiración, instalar/cambiar tubos, abrir y retirar la bolsa para residuos.
- Al introducir material en el producto, asegúrese de no incluir piezas de metal, piedras, botellas, latas u otros objetos extraños.
- No deje que se acumule material procesado en la zona de descarga. Esto puede evitar una descarga correcta y provocar el retroceso del material a través de la apertura de entrada.
- Si el producto se atasca, detenga el motor y extraiga la batería antes de limpiar los restos.

ADVERTENCIAS DE SEGURIDAD DE LA BATERÍA ADICIONAL

⚠ ADVERTENCIA

Para reducir el riesgo de incendio, lesión personales y daños al producto debido a un cortocircuito, no sumerja nunca la herramienta, el paquete de baterías o el cargador en líquido ni permita que fluya un fluido dentro de ellos. Los fluidos corrosivos o conductivos, como el agua de mar, ciertos productos químicos industriales y blanqueadores o lejías que contienen, etc., Pueden causar un cortocircuito.

TRANSPORTE Y ALMACENAMIENTO

- Detenga el producto, retire la batería y deje que ambos se enfríen antes de guardarlos o transportarlos.
- Limpie todo el material extraño que pueda permanecer en el producto. Guarde en una zona seca y bien ventilada, a la que no puedan acceder los niños. Evite el contacto con agentes corrosivos tales como productos químicos de jardinería o sales descongelantes. No almacenar al aire libre.
- Para transportar el producto, sujételo de modo que no se mueva ni se caiga para evitar lesiones personales o daños al producto.

TRANSPORTE DE BATERÍAS DE LITIO

Transporte de baterías de acuerdo con las disposiciones y reglamentos nacionales y locales.

Cumpla todos los requisitos especiales relativos al embalaje y etiquetado cuando el transporte de baterías se lleve a cabo por un tercero. Asegúrese de que, durante el transporte, las baterías no entran en contacto con otras baterías o materiales conductores protegiendo los conectores expuestos con tapones o tapas aislantes de material no conductor. No transporte baterías que tengan grietas o fugas. Consulte a la empresa de transporte para obtener más asesoramiento.

MANTENIMIENTO

⚠ ADVERTENCIA

Utilice sólo piezas y accesorios de recambio originales del fabricante. Si no lo hace podría ocurrir un mal funcionamiento, podrían producirse daños o podría quedar anulada la garantía.

⚠ ADVERTENCIA

Las reparaciones requieren tener mucho cuidado y conocimiento y sólo debe realizarse por un técnico de servicio calificado. Para operaciones de servicio, lleve el producto a un centro de servicio autorizado. Utilice solo recambios originales del fabricante para las operaciones de mantenimiento.

- No realice ajustes y reparaciones que no estén descritos en este manual. Para otras reparaciones o consejos, busque la ayuda de un centro de servicio autorizado.
- Limpiar el producto con un paño suave seco después de cada uso.
- Verifique a intervalos frecuentes si todas las tuercas, pernos y tornillos están apretados apropiadamente para asegurarse de que el producto esté en buenas condiciones de trabajo. Cualquier pieza dañada debe ser sustituida o reparada adecuadamente por un centro de servicio autorizado.
- Lleve el aparato a un centro de servicios autorizado para sustituir las etiquetas dañadas o ilegibles.



DESPEJAR UN BLOQUEO

- Para reducir el riesgo de lesiones asociado al contacto con las partes giratorias, pare siempre el aparato, retire la batería y asegúrese de que todas las partes han dejado de moverse.
- Quite los tubos sopladores para comprobar el atasco. Despeje los tubos si fuera necesario.
- Retire la bolsa colectora de residuos. Compruebe si el adaptador de la bolsa está obstruido.
- Compruebe el alojamiento del ventilador y el tubo que da a la bolsa de residuos para ver si están bloqueados. Recuerde, aunque la batería no esté colocada, el ventilador y las cuchillas de trituración pueden moverse al despejar el bloqueo. Mantenga siempre los dedos apartados del ventilador y las cuchillas.
- No intente quitar el ventilador ni las cuchillas de trituración. Si fuera necesario quitarlos, lleve el aparato a un centro de servicios autorizado.
- Vuelva a instalar los tubos y la bolsa colectora de residuos antes de introducir la batería y arrancar el aparato.

RIESGOS RESIDUALES

Incluso cuando se utiliza el producto según las instrucciones, sigue siendo imposible eliminar por completo ciertos factores de riesgo residuales. Los siguientes peligros pueden surgir en el uso y el operador debe prestar especial atención para evitar lo siguiente:

- Lesiones por vibración
 - Utilice siempre la herramienta adecuada para cada trabajo, así como los mangos correspondientes y la velocidad más baja necesaria para cada trabajo.
- La exposición al ruido puede causar pérdidas de audición.
 - Use protección para los oídos y limite el tiempo de exposición.
- Lesión por objetos despedidos del flujo de aire del tubo de soplador si la bolsa recolectora de restos no está bien colocada o está dañada
 - Use siempre protección para los ojos.

REDUCCIÓN DEL RIESGO

Se ha informado de que las vibraciones de las herramientas de mano puede contribuir a una

condición llamada síndrome de Raynaud en ciertos individuos. Los síntomas pueden incluir hormigueo, entorpecimiento y decoloración de los dedos, generalmente aparentes cuando tiene lugar una exposición al frío. Se considera que los factores hereditarios, exposición al frío y a la humedad, dieta, tabaquismo y prácticas de trabajo contribuyen al desarrollo de estos síntomas. Existen medidas que pueden ser tomadas por el operador para reducir los efectos de vibración:

- Mantenga su cuerpo caliente durante el tiempo frío. Al manipular el producto, utilice guantes para mantener las manos y las muñecas calientes.
- Después de cada período de funcionamiento, realice ejercicios para aumentar la circulación sanguínea.
- Haga pausas de trabajo frecuentes. Limite la cantidad de exposición por día.

Si siente alguno de los síntomas de esta enfermedad, interrumpa inmediatamente el uso y consulte a su médico estos síntomas.

⚠ ADVERTENCIA

El uso prolongado de una herramienta puede causar o agravar lesiones. Al utilizar cualquier herramienta durante períodos prolongados asegúrese de tomar descansos regulares.

CONOZCA SU PRODUCTO

Véase la página 161.

1. Mango delantero
2. Mando de soltado rápido
3. Almohadilla de apoyo para el hombro
4. Palanca del piloto automático
5. Botón Turbo
6. Mango
7. Gatillo
8. Palanca de selección del modo soplador/ aspirador
9. Adaptador de la bolsa
10. Bolsa del aspirador
11. Tubo soplador inferior
12. Ruedas de guía
13. Tubo inferior del aspirador
14. Tubo superior del aspirador
15. Rosca con bloqueo



SÍMBOLOS EN EL PRODUCTO



Lea y comprenda todas las instrucciones antes de manipular el producto, respete las advertencias y las instrucciones de seguridad.



Tenga cuidado con los objetos volátiles o lanzados. Mantenga a todos los espectadores, especialmente a los niños y las mascotas, por lo menos a 15 metros de la zona de trabajo.



Ventiladores de rotación. Mantenga las manos y los pies apartados de las aberturas mientras el aparato está en funcionamiento.



Use protección auditiva



Utilice protección ocular



No la exponga a la lluvia o a lugares húmedos.



El mejor nivel de potencia sonora es de 99 dB



Accesorio compatible: RAC364



Quite las baterías antes de empezar ningún trabajo con el producto.



Tire: Pestaña de liberación rápida



Esta herramienta responde a todas las normas reglamentarias del país de la UE donde se ha comprado.



Certificado EAC de conformidad



Marca de conformidad ucraniana



Los productos eléctricos de desperdicio no deben desecharse con desperdicios caseros. Por favor reciclelos donde existan dichas instalaciones. Compruebe con su autoridad local o minorista para reciclar.



Modo de soplador



Modo de aspiración

SÍMBOLOS EN ESTE MANUAL



Nota



Advertencia



Las piezas o accesorios se venden por separado

Los siguientes símbolos y palabras detallan los niveles de cuidado necesarios para usar este producto.

⚠ PELIGRO

Indica una situación potencialmente peligrosa que, de no evitarse, puede ocasionar la muerte o heridas de gravedad.

⚠ ADVERTENCIA

Indica una situación peligrosa que, de no evitarse, puede ocasionar la muerte o heridas de gravedad.

⚠ ADVERTENCIA

Indica una situación potencialmente peligrosa que, de no evitarse, puede ocasionar heridas leves.

ADVERTENCIA

Sin símbolo de alerta de seguridad
Indica una situación que puede causar daños en las cosas.

E' stata data massima priorità a sicurezza, prestazioni e affidabilità nel design di questo aspiratore/soffiatore senza cavo.

UTILIZZO RACCOMANDATO

Il soffiatore/aspiratore senza cavo è progettato per essere utilizzato all'esterno in luoghi asciutti e ben illuminati.

Prodotto non inteso per essere utilizzato da bambini o persone con ridotte capacità fisiche, mentali o sensoriali.

Il prodotto è stato progettato per aspirare e soffiare detriti leggeri come foglie, erba e altri rifiuti organici da giardino. È concepito per aspirare e pacciare i detriti e depositarli nel sacchetto di raccolta.

Il prodotto non è progettato per aspirare acqua o altri liquidi. Non utilizzare per altri scopi.

AVVERTENZE GENERALI DI SICUREZZA

▲ AVVERTENZA

Leggere tutte le avvertenze di sicurezza e le istruzioni. La mancata osservanza di tutte le istruzioni potrà causare scosse elettriche, incendi e/o gravi lesioni personali. Conservare le presenti avvertenze ed istruzioni per poterle consultare in seguito.

▲ AVVERTENZA

Non lasciare che bambini o persone che non conoscono le istruzioni lo utilizzino. Leggi locali possono limitare l'età dell'operatore.

UTILIZZO

- Leggere attentamente le istruzioni. Familiarizzare con i comandi e il corretto utilizzo del prodotto.
- Ricordare che l'operatore sarà responsabile di eventuali lesioni o danni a persone o cose.
- Non utilizzare il prodotto se stanchi, malati o sotto l'influenza di alcool, droghe o medicinali.

PREPARAZIONE

- In alcune regioni norme specifiche limitano l'utilizzo del prodotto ad alcune operazioni. Rivolgersi alle autorità locali per eventuali consigli.

- Indossare sempre cuffie per le orecchie mentre si mette in funzione il prodotto. Questo utensile è estremamente rumoroso e si potranno riportare gravi danni all'udito se non si prendono le dovute precauzioni limitando l'esposizione, riducendo il rumore e indossando cuffie di sicurezza.
- Indossare sempre la protezione completa occhi mentre si utilizza questo prodotto. La ditta produttrice raccomanda di utilizzare una maschera per il volto o visiere ermeticamente chiuse. Normali occhiali scuri o da sole non costituiscono una protezione adeguata. Oggetti potranno essere scagliati ad alta velocità dal potente getto d'aria in un qualsiasi momento e potranno essere scagliati da superfici dure contro l'operatore.
- Mentre si mette in funzione il prodotto indossare sempre calzature resistenti e pantaloni lunghi. Non mettere in funzione l'utensile se scalzi o se si indossano sandali. Evitare di indossare abiti con parti svolazzanti o con cordicelle o lacci.
- Non indossare abiti con parti svolazzanti o gioielli che potranno essere aspirati nelle griglie dell'aria. Assicurare i capelli lunghi al di sopra delle spalle per evitare che rimangano impigliati nelle parti in movimento.
- Assicurarsi prima di ciascun utilizzo che tutti i comandi e i dispositivi di sicurezza funzionino correttamente. Non utilizzare l'utensile se l'interruttore "off" (spento) non arresta il motore.
- Mettere in funzione il prodotto nella posizione raccomandata e solo su una superficie ben bilanciata ed equilibrata.
- Non mettere in funzione la macchina su superfici pavimentate o con ciottoli o materiali che potranno essere scagliato verso l'operatore ferendolo.
- Prima di ogni utilizzo, controllare sempre la sede dell'utensile per individuare eventuali danni. Assicurarsi che i dispositivi di protezione e i manici siano stati montati correttamente e siano assicurati saldamente. Sostituire i componenti consumati o danneggiati in gruppo per mantenere l'equilibrio. Sostituire le parti danneggiate o le etichette illeggibili.
- Non mettere mai in funzione l'utensile in presenza di osservatori, soprattutto



- bambini, o animali.
- Rimuovere eventuale materiale di scarto dalle griglie dell'aria.
- Utilizzare rastrelli e scope per raggruppare i detriti da aspirare.
- Pulire l'area di lavoro prima di ogni utilizzo. Rimuovere tutti gli oggetti come rocce, vetri rotti, chiodi, cavi, o fili che potranno essere soffiati via da aria ad alta velocità.

⚠ AVVERTENZA

Prima di utilizzare il prodotto in modalità di aspirazione, è necessario unire i tubi di aspirazione superiore e inferiore. Questa operazione va eseguita una sola volta. Non mettere in funzione l'aspiratore montando solo il tubo superiore per l'aspirazione. Il rischio di lesioni alla persona aumenta in maniera significativa se non si seguono queste avvertenze.

UTILIZZO E MANUTENZIONE DI UN UTENSILE A BATTERIE

- Ricaricare solo con il caricatore indicato dalla ditta produttrice. Un caricatore adatto per un tipo di batterie potrà creare un rischio di incendio se utilizzato con un altro gruppo batterie.
- Utilizzare elettrooutensili solo con i gruppi batteria indicati. L'utilizzo di gruppi batteria diversi da quelli indicati potrà causare rischi di lesioni e incendi.
- Quando il gruppo batterie non viene utilizzato, tenerlo lontano da oggetti in metallo come fermagli, monete, chiavi, chiodi, viti o altri piccoli oggetti che potranno fare da tramite da un terminale all'altro. Cortocircuitare i terminali della batteria assieme potrà causare scottature o incendi.
- Se sottoposto a stress, la batteria potrà perdere dei liquidi; evitare il contatto. Se si entra accidentalmente in contatto con tali liquidi, lavarsi immediatamente con acqua. Se il liquido entra negli occhi, rivolgersi a un medico. Il liquido espulso dalla batteria potrà causare irritazioni o scottature.
- Non utilizzare batterie o strumenti danneggiati o alterati. Le batterie danneggiate o alterate potrebbero avere un comportamento imprevedibile e causare incendi, esplosioni o rischio di lesioni.
- Non esporre le batterie o gli utensili a temperature eccessive. L'esposizione al fuoco o a temperature eccessive oltre i 130°C potrebbero causare l'esplosione.
- Seguire tutte le istruzioni per la ricarica e non ricaricare le batterie o gli utensili all'infuori dell'intervallo di temperature specificato nelle istruzioni. Eseguire la ricarica in modo improprio o all'infuori dell'intervallo specificato potrebbe danneggiare la batteria e aumentare il rischio d'incendio.

UTILIZZO

- Prima di avviare il prodotto, assicurarsi che la camera di alimentazione materiale sia vuota.
- Tenere sempre il viso e il volto lontani dalla griglia dell'aria e dall'apertura dell'alimentazione.
- Mettere in funzione l'utensili a orari ragionevoli – mai al mattino presto o a tarda sera per non disturbare altre persone.
- Non mettere mai in funzione il prodotto in un'atmosfera esplosiva.
- Evitare di utilizzare il prodotto in cattive condizioni climatiche soprattutto in caso di rischi di fulmini.
- Norme di sicurezza generali non utilizzare questo apparecchio in una zona scarsamente illuminata. L'area di lavoro deve essere pulita per essere in grado di individuare potenziali rischi.
- Mettere in funzione utensili simili troppo vicino al proprio corpo aumenterà il rischio di lesioni all'udito e i rischi potenziali per le persone che entrano nell'area di lavoro.
- Mantenere l'equilibrio su terreni in discesa. Camminare, non correre mai.
- Non inserire mani, altre parti del corpo o abiti nella camera di alimentazione.
- Mantenere sempre un appoggio saldo e l'equilibrio. Non protendersi. Protendersi potrà causare una perdita di equilibrio.
- Non mettere in funzione il prodotto senza schermi o protezioni o senza dispositivi di sicurezza come per esempio sacchetti per la raccolta di detriti.
- Non modificare l'utensile in alcun modo né utilizzare parti e accessori non raccomandati dalla ditta produttrice.



⚠ AVVERTENZA

Se il prodotto cade, subisce impatti pesanti o inizia a vibrare in maniera anomala, arrestarlo e controllare eventuali danni per identificare la causa delle vibrazioni. Riparare eventuali danni o far sostituire i pezzi da un centro servizi autorizzato.

- Per ridurre il rischio di lesioni associate al contatto con le parti rotanti, arrestare sempre il prodotto e rimuovere le batterie. Accertarsi che tutte le parti in movimento si siano fermate completamente, prima di:
 - Lasciare il prodotto incustodito
 - rimuovere blocchi o ostruzioni nello scivolo
 - si sta verificando, pulendo o lavorando sul prodotto
 - ispezionare il prodotto dopo aver urtato un corpo estraneo
- Spegnerne immediatamente e rimuovere la batteria in caso di incidente o rottura. Non utilizzare di nuovo il prodotto finché non è stato controllato a fondo da un centro di assistenza autorizzato.

AVVERTENZE DI SICUREZZA SOFFIATORE

- Se l'utilizzo dell'apparecchio produce polvere, indossare una maschera in grado di filtrare le particelle della polvere per evitare i rischi legati all'inalazione di polveri nocive.
- Inumidire le superfici con una leggera presenza di polvere.
- Non mettere in funzione accanto a finestre.
- Utilizzare l'estensione ugello per soffiatore in modo che il flusso dell'aria potrà funzionare a poca distanza dal terreno garantendo così prestazioni ottimali.
- Non rivolgere la bocca del soffiatore verso persone o animali domestici.
- Non posizionare oggetti nei tubi del soffiatore.
- Non posizionare il prodotto sopra o vicino a detriti sfusi. Detriti molto piccoli potranno essere aspirati nelle griglie di aspirazione causando gravi danni all'unità.

AVVERTENZE DI SICUREZZA SOFFIATORE

⚠ AVVERTENZA

Non mettere in funzione l'aspiratore montando solo il tubo superiore per l'aspirazione. La mancata osservanza delle presenti avvertenze aumenterà il rischio di lesioni personali.

NOTA: Se il tubo di aspirazione inferiore non è installato, è più facile raggiungere la parte interna del tubo verso la girante della ventola.

- Non mettere in funzione il dispositivo senza il sacchetto di raccolta detriti installato. Detriti scagliati contro l'operatore potranno causare gravi lesioni. Assicurarsi che il sacchetto di raccolta detriti sia in ottime condizioni e sia completamente chiuso prima delle operazioni di lavoro.
- Muovere l'aspiratore/soffiatore da un lato all'altro lungo il margine esterno dei detriti. Per evitare blocchi, non posizionare il tubo dell'aspirazione direttamente nella pila dei detriti.
- Reggere il motore in una posizione più alta rispetto all'ingresso del tubo di aspirazione.
- Per evitare gravi lesioni all'operatore o danni all'unità, non tentare di aspirare rocce, vetri rotti, bottiglie, o altri oggetti simili.
- Evitare situazioni che potranno provocare incendi nel sacchetto di raccolta detriti. Non utilizzare questo apparecchio nelle vicinanze di una fiamma libera. Non aspirare ceneri ancora calde di camini, barbecue, ecc. Non aspirare mozziconi di sigari o di sigarette ancora incandescenti.
- Tenere tutte le parti del proprio corpo lontane dalle parti in movimento. Le lame rotanti possono causare gravi lesioni personali. Arrestare il motore e assicurarsi che le lame a pale abbiano smesso di ruotare prima di aprire la porta dell'aspiratore, installare/cambiare tubi, aprire o rimuovere il sacchetto dei detriti.
- Durante l'aspirazione di materiale nel prodotto, assicurarsi di non aspirare pezzi di metallo, pietre, bottiglie, lattine o altri corpi estranei.
- Non lasciare che si accumuli il materiale aspirato nella zona di scarico. Ciò potrebbe

impedire il corretto scarico e comportare il rigetto di materiale attraverso la bocchetta di aspirazione.

- Nel caso in cui i tubi si ostruiscano, arrestare il motore e rimuovere la batteria prima di rimuovere eventuali ostruzioni.

AVVERTENZE AGGIUNTIVE PER LA SICUREZZA DELLA BATTERIA

⚠ AVVERTENZA

Per ridurre il rischio d'incendio, di lesioni o di danni al prodotto causati da corto circuito, non immergere mai l'utensile, la batteria ricaricabile o il carica batterie in un liquido e non lasciare mai penetrare alcun liquido all'interno dei dispositivi e delle batterie. I fluidi corrosivi o conduttori come acqua salata, alcuni agenti chimici, agenti candeggianti o prodotti contenenti agenti candeggianti potrebbero provocare un corto circuito.

TRASPORTO E RIPONIMENTO

- Arrestare il prodotto, rimuovere la batteria, e lasciarlo raffreddare prima di riporlo o trasportarlo.
- Rimuovere eventuali materiali di scarto dal prodotto. Riporre in un luogo asciutto e ben ventilato non accessibile ai bambini. tenerlo a distanza da agenti corrosivi, come le sostanze chimiche per il giardinaggio e il fondente chimico. Non riporre all'esterno.
- Per il trasporto, assicurare il prodotto contro ogni movimento o contro eventuali cadute per evitare lesioni a persone o danni al prodotto.

TRASPORTO BATTERIE AL LITIO

Trasportare le batterie rispettando quanto indicato dalle norme e regolamentazioni locali. Far rispettare quanto indicato sulle etichette e sull'involucro quando la batteria viene trasportata da terzi. Assicurarsi che le batterie non entrino in contatto con altre batterie o con materiali conduttivi mentre si trasportano proteggendo connettori esposti con tappi o nastro isolante e non conduttivo. Non trasportare batterie rotte o che perdono liquidi. Consultare la ditta produttrice per eventuali ulteriori consigli.

MANUTENZIONE

⚠ AVVERTENZA

Utilizzare solo parti di ricambio, accessori e dispositivi originali della ditta produttrice. In caso contrario si potranno causare lesioni, prestazioni basse e la garanzia verrà invalidata.

⚠ AVVERTENZA

Le operazioni di manutenzione devono essere svolte con grande attenzione e accortezza solo da un tecnico qualificato. Per la manutenzione, portare il prodotto presso un centro servizi autorizzato. Quando si svolgono le operazioni di manutenzione, utilizzare solo parti di ricambio originali della ditta produttrice.

- Non fare riparazioni e regolazioni non indicate nel presente manuale. Per altre riparazioni o consigli, rivolgersi a un centro servizi autorizzato.
- Dopo ogni uso, pulire il prodotto con una panno morbido e asciutto.
- Controllare frequentemente dadi, bulloni e viti, verificando che siano stati assicurati correttamente per fare in modo che il prodotto garantisca condizioni di lavoro ottimali. Riparare eventuali parti danneggiate o farle sostituire da un centro servizi autorizzato.
- Portare il prodotto presso un centro servizi autorizzato per sostituire le parti danneggiate o le etichette illeggibili.

RIMOZIONE DI UN BLOCCO

- Per ridurre il rischio di lesioni associato con il contatto con le parti rotanti, arrestare sempre il prodotto, rimuovere il gruppo batterie, assicurandosi che tutte le parti si siano arrestate.
- Rimuovere i tubi del soffiatore e verificare la presenza di eventuali blocchi. Pulire i tubi se necessario.
- Rimuovere il sacchetto di raccolta dei detriti. Controllare che l'adattatore del sacchetto detriti non presenti ostruzioni.
- Controllare l'apertura del dispositivo di chiusura della ventola e il tubo fino al sacchetto di raccolta detriti per rilevare un

eventuale blocco. Ricordare che sebbene la batteria venga rimossa, la ventola e le lame di triturazione potranno muoversi mentre si rimuove il blocco. Tenere sempre le dita lontane dalle pale della ventola e dalle lame di triturazione.

- Non tentare di rimuovere la ventola o le lame di triturazione. Se necessario rimuovere la ventola e le lame di triturazione, portare il prodotto presso un centro servizi autorizzato.
- Reinstallare i tubi e il sacchetto di raccolta detriti prima di inserire il gruppo batterie e di avviare il prodotto.

RISCHI RESIDUI

Anche quando il prodotto viene utilizzato come indicato, è impossibile eliminare completamente alcuni fattori di rischio residuo. Si potranno verificare i seguenti rischi durante l'utilizzo e l'operatore dovrà prestare attenzione speciale per evitare quanto segue:

- Lesioni causate da vibrazioni
 - Utilizzare sempre il giusto utensile per il lavoro da svolgere, utilizzare i manici indicati e la velocità più bassa necessaria per svolgere il compito.
- L'esposizione al rumore può causare lesioni all'udito.
 - Indossare cuffie di protezione e limitare l'esposizione.
- Si potranno ricevere lesioni da oggetti scagliati dal flusso dell'aria se il sacchetto non è stato installato o è danneggiato
 - Indossare sempre protezioni per gli occhi.

RIDUZIONE DEL RISCHIO

Si è accertato che le vibrazioni causate da utensili a mano possono contribuire a causare una condizione chiamata Sindrome di Raynaud in alcune persone. I sintomi, comprendenti formicolio, intorpidimento e perdita di colore alle dita, si verificano di solito quando ci si espone al freddo. Fattori ereditari, esposizione a freddo e umidità, una dieta scorretta, fumo e condizioni di lavoro non sicure potranno contribuire allo sviluppo di questi sintomi. È possibile prendere delle precauzioni per ridurre le vibrazioni:

- Tenere il corpo al caldo a basse temperature. Quando si utilizza il prodotto indossare guanti per tenere le mani e i

polsi caldi.

- Dopo aver utilizzato l'utensile per un certo periodo, fare degli esercizi per stimolare la circolazione del sangue.
- Fare spesso delle pause. Limitare la quantità di esposizione giornaliera.

Nel caso in cui si provino i sintomi di questa condizione, interrompere immediatamente l'utilizzo dell'utensile e consultare un dottore.

⚠ AVVERTENZA

Il prolungato utilizzo dell'utensile potrà causare o aggravare lesioni. Quando si utilizza questo utensile per periodi di tempo prolungati, assicurarsi di fare sempre delle pause regolari.

FAMILIARIZZARE CON IL PRODOTTO

Vedere pagina 161.

1. Manico anteriore
2. Maniglia di sgancio rapido
3. Imbottitura per la spalla
4. Leva acceleratore
5. Pulsante Turbo
6. Manico
7. Grilletto
8. Leva selezione modalità soffiatore/aspiratore
9. Adattatore sacchetto
10. Sacchetto aspiratore
11. Tubo inferiore soffiatore
12. Ruote di guida
13. Abbassa il tubo dell'aspiratore
14. Tubo aspiratore superiore
15. Vite di blocco

SIMBOLI SUL PRODOTTO



Leggere e comprendere tutte le istruzioni prima di mettere in funzione il prodotto, seguire tutte le istruzioni e le avvertenze di sicurezza.



Fare attenzione ad oggetti scagliati o lanciati dall'utensile. Tenere lontani tutti gli osservatori, soprattutto bambini e animali, ad almeno 15 m dalla zona di funzionamento.



Ventole rotanti. Tenere mani e piedi lontani dalle aperture mentre il prodotto è in funzione.



Indossare cuffie di protezione



Indossare dispositivi di protezione occhi



Non esporre a pioggia o umidità.



Il livello di potenza sonora garantito è 99 dB



Accessorio compatibile: RAC364



Rimuovere la batteria prima di iniziare qualsiasi lavoro sul prodotto.



Spinta: Linguetta a rilascio veloce



Questo apparecchio è conforme a tutte le norme vigenti nel paese dell'UE in cui è stato acquistato.



Marchio di conformità EurAsian



Marchio di conformità ucraino



I prodotti elettrici non devono essere smaltiti con i rifiuti domestici. Vi sono strutture per smaltire tali prodotti. Informarsi presso il proprio Comune o rivenditore di sicurezza per smaltire adeguatamente tali rifiuti.



Modalità aspiratore



Modalità aspiratore

SIMBOLI NEL PRESENTE MANUALE



Note



Avvertenze



Parti o accessori venduti separatamente

I seguenti simboli indicano i livelli di rischio associati a questo prodotto.

⚠ PERICOLO

Indica una situazione pericolosa che, se non evitata attentamente, potrà causare gravi lesioni alla persona o morte.

⚠ AVVERTENZA

Indica una situazione potenzialmente pericolosa che, se non evitata attentamente, potrà causare gravi lesioni alla persona o morte

⚠ ATTENZIONE

Indica una situazione potenzialmente pericolosa che, se non evitata attentamente, potrà causare lesioni minori o moderate alla persona.

ATTENZIONE

Senza simbolo di allerta di sicurezza
Indica una situazione che potrà risultare in gravi danni a cose.

Veiligheid, prestaties, betrouwbaarheid kregen topprioriteit in het ontwerp van uw snoerloze blazer/zuiger.

VOORGESCHREVEN GEBRUIK

De snoerloze blazer/zuiger is uitsluitend geschikt voor buitenshuis gebruik in droge en goed verlichte omstandigheden.

Het product is niet geschikt voor gebruik door kinderen of personen met verminderde fysieke, mentale of zintuigelijke vermogens.

Het product is bedoeld voor het blazen en opzuigen van licht afval, waaronder bladeren, gras en ander tuinafval. Het is bedoeld om afval op te zuigen en te vermalen en in de opvangzak te deponeren.

Het product is niet bedoeld voor het opzuigen van water of andere vloeistoffen. Gebruik niet voor andere doeleinden.

ALGEMENE VEILIGHEIDSWAARSCHUWINGEN

⚠ WAARSCHUWING

Lees alle veiligheidswaarschuwingen en instructies. Wanneer niet de waarschuwingen en instructies niet opvolgt, kan dit leiden tot elektrische schok en/of ernstig letsel. Bewaar deze waarschuwingen en voorschriften zorgvuldig om ze ook later te kunnen inzien.

⚠ WAARSCHUWING

Laat kinderen of personen die niet vertrouwd zijn met deze instructies, het product gebruiken. De plaatselijke wetgeving kan beperkingen opleggen i.v.m. de leeftijd van de bediener.

OPLEIDING

- Lees zorgvuldig de instructies. Wees vertrouwd met de bedieningen en het correct gebruik van het product.
- Hou er rekening mee dat de bediener of gebruiker verantwoordelijk is voor ongevallen of gevaren t.o.v. anderen of hun eigendom.
- Gebruik het product nooit als u moe of ziek bent of onder de invloed van alcohol, drugs of medicijnen staat.

VOORBEREIDING

- In enkele streken gelden regels die het gebruik van het product tot enkele handelingen beperken. Raadpleeg uw lokale autoriteit voor advies.
- Draag steeds gehoorbescherming terwijl u dit product gebruikt. Deze machine maakt enorm veel geluid en er kan gehoorschade optreden als de voorzorgsmaatregelen om het geluid te verminderen niet worden opgevolgd en er geen gehoorbescherming wordt gedragen.
- Draag steeds volledige gezichtsbescherming terwijl u dit product gebruikt. De fabrikant raadt ten eerste het gebruik aan van een volledig gezichtsmasker of een gesloten veiligheidsbril. Een normale bril of zonnebril is geen afdoende bescherming. Voorwerpen kunnen tegen hoge snelheid door een krachtige luchtstoot worden weggeslingerd en vanaf een hard oppervlak in de richting van de bediener worden teruggestuurd.
- Terwijl u het product bedient, draagt u altijd stevig schoeisel en een lange broek. Gebruik de machine wanneer u blootsvoets bent of open sandalen draagt. Draag geen loszittende kledij of kledij met loshangende snoeren of touwen.
- Draag geen losse kledij of juwelen die in de luchtinlaat kunnen worden ingetrokken. Maak lang haar vast boven schouderhoogte om te voorkomen dat het verstrikt raakt in de bewegende delen.
- Controleer voor elk gebruik of alle bedieningsknoppen en veiligheidsinrichtingen goed functioneren. Gebruik het werktuig niet als de "uit"-knop het product niet stillet.
- Gebruik het product in de aangewezen positie en uitsluitend op een stevig, vlak oppervlak.
- Gebruik de machine niet op een geasfalteerd of grintoppervlak waar uitgeworpen materiaal verwondingen kan veroorzaken.
- Inspecteer voor elk gebruik de behuizing op schade. Zorg ervoor dat de beschermers en handvatten zijn geïnstalleerd en stevig vastgemaakt. Vervang versleten of beschadigde onderdelen in sets om het evenwicht te bewaren. Vervang

beschadigde of onleesbare etiketten.

- Gebruik de machine nooit wanneer zich mensen, in het bijzonder kinderen, en dieren in de buurt bevinden.
- Houd alle koelluchtinlaten vrij van afval.
- Gebruik een riek en/of bezem om het tuinafval los te woelen voordat u de bladblazer gaat gebruiken.
- Maak voor elk gebruik de werkplek vrij. Verwijder alle objecten, zoals stenen, gebroken glas, nagels, ijzdraad of kunststof draad, die een aanzienlijke afstand en hard kunnen worden weggeblazen.

⚠ WAARSCHUWING

Voordat u het product in de zuigermodus gebruikt moet u eerst de onderste en bovenste zuigerbuizen aan elkaar bevestigen. Dit hoeft slechts één keer gedaan te worden. Gebruik de zuiger nooit wanneer alleen de boveste zuigbuis is gemonteerd. Het risico op lichamelijke letsels wordt hoger als u deze waarschuwing niet opvolgt.

GEBRUIK EN ONDERHOUD VAN HET ACCU- AANGEDREVEN WERKTUIG

- Herlaad enkel met de oplader die door de fabrikant is gespecificeerd. Een oplader die voor een type accupack is geschikt kan een brandgevaar betekenen wanneer het met een ander accupack wordt gebruikt.
- Gebruik elektrisch gereedschap uitsluitend met de specifiek toegewezen accupacks. Het gebruik van andere accupacks kan leiden tot risico's op letsels en brand.
- Wanneer het accupack niet wordt gebruikt, moet u het weg houden van andere metalen objecten, zoals papierclips, munten, sleutels, spijkers, schroeven of andere kleine metalen voorwerpen die een verbinding kan maken van een terminal naar een andere. De batterijterminals kortsluiten kan leiden tot brandwonden of brand.
- In oneigenlijke omstandigheden, kan een vloeistof uit de accu lekken; vermijd contact hiermee. Als per ongeluk contact voorkomt, spoelt u met water. Als de vloeistof in contact komt met de ogen, dient u bijkomend medische hulp te raadplegen. Vloeistof die uit de accu lekt, kan irritatie of

brandwonden veroorzaken.

- Gebruik geen beschadigde of gewijzigde accu of gereedschap. Beschadigde of gewijzigde accu's kunnen onvoorspelbaar gedrag vertonen en leiden tot brand, explosies, of het risico op letsel.
- Stel accu's of gereedschap niet bloot aan vuur of hoge temperaturen. Blootstelling aan vuur of extreme temperaturen boven 130°C kan explosies veroorzaken.
- Volg alle instructies en laad de accu of het gereedschap niet op buiten het temperatuurbereik dat in de handleiding wordt aangegeven. Onjuist opladen of opladen bij temperaturen buiten het aangegeven bereik kan schade aan de accu veroorzaken en risico op brand verhogen.

BEDIENING

- Voor u het product start, zorgt u ervoor dat de voedingskamer leeg is.
- Houd uw gezicht en lichaam weg van de voedingsinlaatopening.
- Gebruik de machine uitsluitend op redelijke tijdstippen – niet heel vroeg op de ochtend of 's avonds laat als dit mensen kan hinderen.
- Gebruik het product nooit in een explosieve atmosfeer.
- Vermijd gebruik van het product bij slecht weer, vooral als er gevaar voor bliksem bestaat.
- Gebruik dit apparaat niet op plekken waar u niet goed kunt zien. De gebruiker heeft een duidelijk overzicht nodig van het werkgebied om mogelijke gevaren te identificeren.
- Het gebruik van gelijksoortige apparaten in de nabijheid verhoogt het risico van letsel en de mogelijkheid dat er andere mensen in uw werkgebied komen.
- Zorg ervoor dat u altijd stevig vast staat op hellingen. Stap altijd, loop nooit.
- Plaats uw handen of enig ander lichaamsdeel of kledingsstuk niet in de voedingskamer, uitlaatklep of in de buurt van een bewegend deel.
- Bewaar steeds een stevige houvast en goed evenwicht. Overrek u niet. Rek u niet uit, waardoor u uw evenwicht kunt verliezen.

- Gebruik het product nooit met een defecte beschermer of schild of zonder veiligheidsvoorzieningen, bijvoorbeeld een afvalcollector.
- Het apparaat op geen enkele wijze aanpassen of reserveonderdelen gebruiken die niet worden aanbevolen door de fabrikant.

⚠ WAARSCHUWING

Als u het product laat vallen, het een ernstige impact ondergaat of abnormaal begint te trillen, legt u het product onmiddellijk stil en controleert u het op schade of zoekt u naar de oorzaak van de trillingen. Enige schade moet direct worden gerepareerd of vervangen door een bevoegd onderhoudscentrum.

- Stop het product en verwijder de accu altijd om het risico op letsel wegens contact met draaiende onderdelen te verminderen. Controleer dat alle bewegende delen volledig tot stilstand zijn gekomen voordat u:
 - het product onbeheerd achterlaten
 - verstoppingen verwijdert of de koker ontstopt
 - controleren, schoonmaken en onderhouden van het product
 - het product inspecteert na het raken van een vreemd voorwerp
- Bij een incident of defect moet onmiddellijk de accu worden verwijderd. Gebruik het product niet opnieuw totdat het volledig is gecontroleerd door een erkend onderhoudscentrum.

VEILIGHEIDSWAARSCHUWINGEN VOOR DE BLAZER

- Draag een mondmasker in stofferige omstandigheden om het risico op letstels verbonden met het inademen van stof, te verminderen.
- Bevochtig de oppervlakken iets in stoffige omstandigheden.
- Gebruik de machine niet in de buurt van een open raam.
- Gebruik de volledige verlengstuk van het blazermondstuk zodat de luchtstroom dicht bij de grond kan werken en goede prestaties kan leveren.

- Richt de blazermond nooit in de richting van mensen of huisdieren.
- Plaats nooit objecten in de blaasbuizen.
- Plaats het product niet boven op of in de buurt van los afval. Het afval kan in de inlaatopening worden gezogen waardoor deze mogelijk beschadigd raakt.

VEILIGHEIDSWAARSCHUWINGEN VOOR DE ZUIGER

⚠ WAARSCHUWING

Gebruik de zuiger nooit wanneer alleen de boveste zuigbuis is gemonteerd. Als u deze waarschuwing niet in acht neemt, verhoogt dit het risico op letsels.

OPMERKING: Als de onderste zuigerbuis niet is gemonteerd is het veel gemakkelijker om in de buis richting het ventilatorblad te reiken.

- Gebruik de zuiger niet zonder dat de afvalverzamelzak geïnstalleerd is. Rondvliegend afval kan ernstige verwondingen veroorzaken. Zorg ervoor dat de afvalverzamelzak zich in een goede staat bevindt en volledig is gesloten voor u met de machine begint te werken.
- Beweeg het product van de ene naar de andere zijde langs de buitenrand van het vuil. Om opstopping te voorkomen, plaatst u de zuigbuis niet rechtstreeks in de afvalhoop.
- Houd de motor hoger dan het inlaatuiteinde van de zuigbuis.
- Om ernstig letsel van de gebruiker of schade aan het apparaat te voorkomen, geen stenen, gebroken glas, flessen of gelijksoortige objecten opzuigen.
- Vermijd situaties die brand in de afvalverzamelzak kunnen veroorzaken. Gebruik het toestel niet in de buurt van een open vlam. Zuig geen warme as uit een open haard, barbecueput, houthopen, enz. Zuig geen weggegooide sigaren of sigaretten op tenzij de as volledig koud is.
- Houd alle lichaamsdelen weg van de bewegende delen. Ronddraaiende rotorbladen kunnen ernstige letsels veroorzaken. Schakel de motor uit en controleer of de schoepen gestopt zijn met draaien voordat de vacuümdeur wordt geopend, buizen worden geïnstalleerd/

vervangen of de afvalzak wordt geopend of verwijderd.

- Controleer, als u materiaal in het product voert, dat er geen stukken metaal, stenen, flessen, blikjes of andere vreemde voorwerpen tussen zitten.
- Zorg ervoor dat er geen vermalen materiaal wordt opgebouwd in de afvoerzone. Dit kan een goede afvoer belemmeren en kan leiden tot terugslag van materiaal door de inlaatopening.
- Als het product verstopt raakt moet de motor worden gestopt en moet de accu worden verwijderd voordat u het afval weghaalt.

EXTRA WAARSCHUWINGEN BATTERIJVEILIGHEID

⚠ WAARSCHUWING

Voorkom brand, persoonlijk letsel of materiële schade door kortsluiting en dompel het gereedschap, de wisselaccu en het laadtoestel niet onder in vloeistoffen en waarborg dat geen vloeistoffen in de apparaten en accu's kunnen dringen. Corrosieve of geleidende vloeistoffen zoals zout water, bepaalde chemicaliën, bleekmiddelen of producten die bleekmiddelen bevatten, kunnen een kortsluiting veroorzaken.

TRANSPORT EN OPSLAG

- Leg het product stil, verwijder de batterij en laat afkoelen voor u het toestel opbergt of transporteert.
- Verwijder alle vreemde voorwerpen van het product. Bewaar op een koele, droge en goed geventileerde plaats die niet toegankelijk is voor kinderen. Houd corrosieve producten, zoals tuinchemicaliën en strooizout uit de buurt van het apparaat. Bewaar niet buitenshuis.
- Voor transport beveiligt u het product tegen bewegen of vallen om lichamelijke letsels of schade aan het product te voorkomen.

LITHIUMBATTERIJEN TRANSPORTEREN

De accu's dienen in overeenstemming met de plaatselijk en nationale regelgeving te worden getransporteerd.

Respecteer alle speciale voorwaarden op de verpakking en etikettering wanneer u de accu's door derden laat transporteren. Zorg ervoor dat de accu's tijdens het transport niet in contact komen met andere batterijen of geleidende materialen door blootliggende connectoren met isolerende, niet-geleidende doppen of plakband te beschermen. Transporteer geen accues die lekken of gebarsten zijn. Overleg met het transportbedrijf voor verder advies.

ONDERHOUD

⚠ WAARSCHUWING

Gebruik uitsluitend originele vervangonderdelen, accessoires en voorzetstukken van de fabrikant. Als u dit niet doet, kan dit mogelijks letsels of slechte prestaties veroorzaken waardoor uw garantie kan vervallen.

⚠ WAARSCHUWING

Het onderhoud vereist extreme voorzichtigheid en deskundigheid en mag enkel door een gekwalificeerde onderhoudstechnicus worden uitgevoerd. Voor onderhoud brengt u het product naar een geautoriseerd onderhoudscentrum. Gebruik uitsluitend originele vervangonderdelen wanneer u onderhoudswerken aan de machine uitvoert.

- Voer geen afstellingen of herstellingen uit die niet in deze gebruiksaanwijzing zijn beschreven. Voor andere herstellingen of advies, vraagt u hulp in een geautoriseerd onderhoudscentrum.
- Na elk gebruik, reinigt u het product met een zachte, droge doek.
- Controleer regelmatig of alle moeren, bouten en vijzen goed zijn vastgemaakt om zeker te zijn dat het product veilig kan worden gebruikt. Een beschadigd onderdeel moet door een geautoriseerd onderhoudscentrum goed worden gerepareerd of vervangen.
- Breng het product naar een geautoriseerd onderhoudscentrum om beschadigde of onleesbare etiketten te vervangen.



VERSTOPPING VRIJMAKEN

- Om het risico te vermijden op verwondingen die verband houden met contact met roterende onderdelen, legt u het product altijd stil, verwijdert u het batterijpack en zorgt u ervoor dat alle bewegende onderdelen volledig zijn stilgevallen.
- Haal de blaasbuizen los en controleer of deze verstopt zijn. Maak indien nodig de buizen vrij.
- Verwijder de afvalverzamelzak. Controleer dat de zakadapter vrij is van obstructies.
- Controleer de opening naar de ventilatorbehuizing en de buis naar de afvalzak op tekenen van verstopping. Onthoud dat zelfs met een verwijderde batterij, de ventilator- en mulchingbladen kunnen bewegen als u een verstopping verwijdert. Houd vingers steeds weg van de ventilator- en mulchingbladen.
- Probeer de het ventilator- en mulchingblad niet te verwijderen. Indien het nodig is om de ventilator- en mulchingbladen te verwijderen, brengt u het product naar een geautoriseerd onderhoudscentrum.
- Herinstalleer alle buizen en de afvalverzamelzak voor u het batterijpack installeert en het product start.

RESTRISICO'S

Zelfs wanneer het product zoals voorgeschreven wordt gebruikt, is het nog steeds onmogelijk om bepaalde restrisico's volledig te elimineren. De volgende gevaren kunnen zich voordoen tijdens het gebruik en de gebruiker dient in het bijzonder aandacht te hebben om de volgende situaties te vermijden:

- Letsels veroorzaakt door trillingen
 - Gebruik altijd het juiste werktuig voor de taak, de aangewezen handvatten en de laagste mogelijke snelheid om de taak uit te voeren.
- Blootstelling aan geluid kan gehoorletsels veroorzaken.
 - Draag gehoorbescherming en beperk de blootstelling.
- Letsel door rondvliegende voorwerpen vanwege de luchtstroom uit de blaasbuis, als de vuilopvangzak niet is geplaatst of is beschadigd.
 - Draag altijd gezichtsbescherming.

RISICOBEPERKING

Er zijn meldingen dat trillingen van handwerktuigen bij sommige mensen bijdragen tot het Syndroom van Raynaud. Symptomen kunnen ondermeer tintelingen, gevoelloosheid en bleek worden van de vingers omvatten, wat normaal gezien duidelijk wordt bij blootstelling aan koude. Erfelijke factoren, blootstelling aan koude en vocht, dieet, roken en werkroutine kunnen allemaal bijdragen tot de ontwikkeling van deze symptomen. Er kunnen door de bediener maatregelen worden genomen om de gevolgen van de trillingen te beperken:

- Houd bij koud weer uw lichaam warm. Draag handschoenen terwijl u het product gebruikt om de handen en polsen warm te houden.
- Doe oefeningen om de bloeddoorstroming te bevorderen na elke periode van gebruik.
- Neem regelmatig een pauze. Beperk het aantal uren dat u per dag wordt blootgesteld.

Wanneer u enige van de symptomen van deze aandoening ervaart, stop dan onmiddellijk met het gebruik van het toestel en raadpleeg uw dokter

⚠ WAARSCHUWING

Letsels kunnen worden veroorzaakt of ernstiger worden door verlengd gebruik van een werktuig. Als u een werktuig gedurende langere periodes gebruikt, neem dan regelmatig pauze.

KEN UW PRODUCT

Zie pagina 161.

1. Voorste handvat
2. Snelontkoppelingshendel
3. Schouderkussen
4. Cruise control-schakelaar
5. Turbo-knop
6. Handvat
7. Aan-/uit-hendel
8. Blazer-/zuigermodus selectiehendel
9. Zakadapter
10. Zuigzak
11. Onderste blaasbuis
12. Geleiderwielen
13. Onderste zuigbuis



14. Bovenste zuigerbuis
15. Vergrendelingsdraad

SYMBOLEN OP HET PRODUCT



Lees en begrijp alle instructies voor u het product bedient, volg alle waarschuwingen en veiligheidsinstructies.



Houd rekening met weggeslingerde of rondvliegende voorwerpen. Houd alle omstanders, in het bijzonder kinderen en huisdieren, op tenminste 15m afstand van het werkgebied.



Roterende ventilatoren. Houd handen en voeten weg van openingen terwijl het product loopt.



Draag gehoorbescherming



Draag gezichtsbescherming



Stel niet bloot aan regen of vocht.



Het gegarandeerde geluidsniveau bedraagt 99 dB.



Compatibel accessoire: RAC364



Verwijder de accu voordat u werkzaamheden aan het product uitvoert.



Trekken: Snelle ontgrendeltab



Dit apparaat voldoet aan alle geldende normen van Lid-Staat van de Europese Unie waar het werd gekocht.



EurAsian-symbool van overeenstemming



Oekraïens conformiteitssymbool



Elektrisch afval mag niet samen met ander huishoudafval worden weggegooid. Gelieve te recycleren indien de mogelijkheid bestaat. Neem contact op met uw lokaal bestuur of handelaar om advies te krijgen over recyclage.



Bazermodus



Zuigmodus

SYMBOLEN IN DEZE GEBRUIKSAANWIJZING



Opmerking



Waarschuwing



Onderdelen of accessoires afzonderlijk verkocht

De volgende kernwoorden en verklaringen zijn bedoeld om de gevaarniveaus die op dit toestel betrekking hebben, te verklaren.

⚠ GEVAAR

Wijst op een gevaarlijke situatie die, als ze niet wordt voorkomen, dodelijk kan zijn of ernstige verwondingen kan veroorzaken.

⚠ WAARSCHUWING

Wijst op een mogelijks gevaarlijke situatie die, als ze niet wordt voorkomen, dodelijk kan zijn of ernstige verwondingen kan veroorzaken.

⚠ LET OP

Wijst op een mogelijks gevaarlijke situatie die, als ze niet wordt voorkomen, kleine of middelmatige verwondingen kan veroorzaken.



LET OP

Zonder veiligheidswaarschuwingssymbool
Wijst op een situatie die kan leiden tot
materiële schade.

EN
FR
DE
ES
IT
NL
PT
DA
SV
FI
NO
RU
PL
CS
HU
RO
LV
LT
ET
HR
SL
SK
BG
UK
TR



Segurança, desempenho e fiabilidade receberam prioridade de topo na conceção do seu soprador/aspirador sem fios.

USO PREVISTO

O ventilador / aspirador sem fios destina-se apenas a utilização no exterior em condições secas e bem iluminados.

O produto não deve ser utilizado por crianças nem por pessoas com capacidades físicas, mentais ou sensoriais reduzidas.

O produto foi desenhado para soprar e aspirar resíduos leves incluindo folhas, relvado e outros resíduos de jardim. Destina-se a aspirar e triturar detritos e a depositá-los no saco de recolha.

O produto não foi concebido para chupar água nem outros líquidos. Não a use para nenhuma outra finalidade.

AVISOS GERAIS DE SEGURANÇA

⚠ ADVERTÊNCIA

Leia todos os avisos de segurança e todas as instruções. O facto de não seguir os avisos e as instruções pode conduzir a choque eléctrico, fogo e/ou lesão grave. Conserve estas advertências e instruções para que possa consultá-las mais tarde.

⚠ ADVERTÊNCIA

Nunca permita que crianças ou pessoas que não estejam familiarizadas com estas instruções utilizem o produto. A legislação local pode restringir a idade do operador.

FORMAÇÃO

- Leia as instruções com atenção. Familiarize-se com os controlos e a utilização adequada do aparelho.
- Mantenha em mente que o operador ou o utilizador é responsável pelos acidentes ou perigos que ocorrem a outras pessoas ou à sua propriedade.
- Não utilize o produto quando estiver cansado, doente ou sob a influência do álcool, drogas ou medicamentos.

PREPARAÇÃO

- Algumas regiões têm normas que restringem o uso do produto para algumas operações. Consulte a sua autoridade local para obter informação.
- Coloque sempre uma proteção para os ouvidos enquanto manipula este aparelho. Esta máquina é extremamente ruidosa e poderá resultar em danos permanentes para a audição caso não tome as precauções necessárias para limitar a exposição, reduzir o ruído e usar proteção auditiva.
- Coloque sempre uma proteção total para os olhos enquanto manipula este aparelho. O fabricante recomenda encarecidamente o uso de uma máscara completa ou de umas luvas protetoras totalmente fechadas. Os óculos normais ou de sol não são uma proteção adequada. Em qualquer momento, os objetos podem ser projetados a grande velocidade devido ao potente jorro de ar e podem fazer ricochete em superfícies duras em direção ao operador.
- Durante o funcionamento do produto, use sempre calçado forte e calças longas. Não opere a máquina se estiver descalço ou se usar sandálias. Evite usar roupa larga ou com cordões ou laços.
- Não use roupa larga nem missangas que possam ir para entrada de ar. Prenda o cabelo comprido para que fique acima do nível dos ombros para evitar que fique emaranhado em peças móveis.
- Certifique-se antes de cada uso que todos os controlos e dispositivos de segurança funcionam corretamente. Não utilize o aparelho se o interruptor “off” não parar o motor.
- Operar o produto na posição recomendada e apenas numa superfície firme e nivelada.
- Não ponha a máquina funcionar numa superfície pavimentada ou com gralilha onde o material ejetado possa causar lesões.
- Verifique sempre se não existem danos na armação antes de cada uso. Assegure-se de que as proteções e os cabos estão no seu sítio e bem fixados. Substitua os componentes desgastados ou danificados em conjunto de modo a preservar o equilíbrio. Substitua as etiquetas ilegíveis ou danificadas.

- Nunca coloque a máquina a funcionar quando pessoas, especialmente crianças ou animais de estimação estão por perto.
- Mantenha as entradas de ar para arrefecimento sem obstruções.
- Antes de apontar o soprador aos resíduos, utilize um ancinho e uma vassoura para desagregar e soltar os resíduos.
- Desimpeça a área onde pretende trabalhar antes de cada utilização. Remova todos os objetos como pedras, cacos de vidro, pregos, arame ou fios que possam ser projetados a uma distância considerável pelo ar de alta velocidade.

⚠ ADVERTÊNCIA

Antes de utilizar o produto em modo de aspirador, tem de montar o tubo superior no tubo inferior do aspirador. Esta operação apenas tem de ser feita uma vez. Nunca utilize o aspirador tendo colocado apenas o tubo de vácuo superior. O risco de lesões corporais aumentará significativamente se não respeitar este aviso.

UTILIZAÇÃO E MANUTENÇÃO DA BATERIA

- Recarregue apenas com o carregador especificado pelo fabricante. Um carregador que seja adequado para um tipo de bateria pode causar risco de incêndio, quando utilizado com outra bateria.
- Use ferramentas eléctricas somente com baterias especificamente concebidas. O uso de qualquer outro tipo de bateria pode causar risco de lesões e incêndio.
- Quando a bateria não estiver a ser utilizada, mantenha-a afastada de outros objectos metálicos como clipes de papel, moedas, chaves, pregos, parafusos, ou outros pequenos objectos metálicos que podem fazer a ligação de um terminal para outro. Ligar os terminais da bateria em conjunto pode causar queimaduras ou um incêndio.
- Sob circunstâncias abusivas, o líquido pode ser ejectado da bateria, evite o contacto. Se o contacto ocorrer acidentalmente, limpe com água abundante. Se o líquido entrar em contacto com os olhos, procure adicionalmente assistência médica. O líquido ejectado da bateria pode causar

- irritação ou queimaduras.
- Não use um conjunto de baterias ou uma ferramenta que tenha sido sofrido danos ou modificações. Baterias danificadas ou modificadas podem ter um comportamento imprevisível, resultando em incêndio, explosão ou risco de ferimentos.
- Não exponha um conjunto de baterias ou uma ferramenta ao fogo ou a temperaturas excessivas. A exposição ao fogo ou a temperaturas excessivas (acima de 130 °C) pode causar uma explosão.
- Siga todas as instruções de carregamento e não dê carga ao conjunto de baterias ou à ferramenta fora da amplitude de temperaturas especificada nas instruções. O carregamento feito de forma incorrecta ou sob temperaturas fora da amplitude especificada pode danificar a bateria e aumentar o risco de incêndio.

UTILIZAÇÃO

- Antes de ligar o produto, certifique-se de que a câmara de alimentação está vazia.
- Mantenha a sua cara e corpo longe da abertura de alimentação.
- Opere a máquina apenas em horas convenientes – não cedo de manhã ou tarde à noite, quando as pessoas podem ser perturbadas.
- Nunca opere o aparelho num ambiente explosivo.
- Evite utilizar o aparelho em más condições atmosféricas, especialmente quando houver risco de relâmpago.
- Não utilize esta ferramenta numa zona com pouca luz. O operador necessita de uma visão clara da área de trabalho para identificar potenciais perigos.
- Operar ferramentas similares nas proximidades aumenta tanto o risco de lesão auditiva e o potencial para outras pessoas entrarem na sua área de trabalho.
- Certifique-se sempre onde põe os pés em sítios inclinados. Ande e nunca corra.
- Não permita que as mãos ou qualquer outra parte do corpo ou a roupa aceda ao interior da câmara de alimentação, tubo de descarga, ou esteja perto de qualquer parte móvel.
- Mantenha-se bem apoiado e equilibrado. Não se aproxime em demasia. Tentar

esticar-se demais pode provocar a perda de equilíbrio.

- Nunca coloque o produto a funcionar com proteções ou defesas defeituosas ou sem dispositivos de segurança, por exemplo coletor de detritos no sítio.
- Não modifique a máquina em qualquer forma nem use peças e acessórios que não sejam recomendados pelo fabricante.

⚠ ADVERTÊNCIA

Se o aparelho cair, sofrer um impacto forte ou começar a vibrar de maneira anormal, pare-o imediatamente e verifique se está danificado ou identifique o motivo da vibração. Qualquer dano deve ser devidamente reparado ou substituído por um centro de assistência autorizado.

- Para reduzir o risco de ferimentos associados ao contacto com peças rotativas, pare sempre o produto e desmonte o conjunto de baterias. Certifique-se de que todas as peças móveis pararam completamente, antes de fazer as seguintes tarefas:
 - deixar o produto sem vigilância
 - desobstruir bloqueios ou desentupir a calha
 - fazer verificações, limpeza ou manutenção ao produto
 - inspeccionar o produto depois de embater num objecto estranho
- Se houver algum acidente ou alguma avaria, desligue imediatamente o conjunto de baterias e desmonte-o do produto. Não volte a operar o produto enquanto não tiver sido totalmente verificado por um centro de assistência autorizado.

AVISOS DE SEGURANÇA DO SOPRADOR

- Use uma máscara de filtro de rosto em condições de poeira para reduzir o risco de lesão associada à inalação de pó.
- Humedeça ligeiramente as superfícies em condições de poeira.
- Não utilize a máquina junto a janelas abertas.
- Use a extensão completa da boca do ventilador, de modo que o fluxo de ar possa trabalhar junto ao solo e de forma eficaz.

- Não aponte o soprador na direcção de pessoas ou animais de estimação.
- Nunca coloque objetos dentro dos tubos do soprador.
- Não assente o produto em cima nem nas proximidades de detritos soltos. Os detritos podem ser sugados para a ventilação de admissão, resultando em possíveis danos para a unidade.

AVISOS DE SEGURANÇA DO ASPIRADOR

⚠ ADVERTÊNCIA

Nunca utilize o aspirador tendo colocado apenas o tubo de vácuo superior. O incumprimento desta advertência aumenta o risco de lesões pessoais.

NOTA: Sem o tubo inferior do aspirador montado, é muito mais fácil conseguir chegar à parte de cima do interior do tubo, avançando na direcção da lâmina do ventilador.

- Não utilize o aspirador sem o conjunto do saco coletor de detritos instalado. Os detritos projetados podem causar lesões graves. Certifique-se que o saco coletor de resíduos está em bom estado e completamente fechado antes de operar.
- Mova o produto de um lado para o outro, ao longo do rebordo exterior dos detritos. Para evitar obstruções, não coloque o tubo de aspiração diretamente na pilha de detritos.
- Segure o motor mais acima que a extremidade de entrada do tubo de aspiração.
- Para evitar ferimentos graves para o operador ou danos na unidade, não tente aspirar pedras, vidro quebrado, garrafas ou outros objetos semelhantes.
- Evite situações que possam causar fogo no saco coletor de detritos. Não opere perto de uma chama aberta. Não limpe cinzas quentes de chaminés, churrasqueiras, pilhas de troncos, etc. Não aspire beatas de cigarro ou charuto a menos que as cinzas tenham arrefecido totalmente.
- Mantenha qualquer peça em movimento longe do seu próprio corpo. As pás impulsoras em rotação podem provocar lesões graves. Pare o motor e certifique-

se que as lâminas de rotor pararam de rodar antes de abrir a porta do aspirador, instalar/trocar tubos, abrir ou remover o saco de detritos.

- Quando alimentar o produto com materiais, certifique-se de que não estão incluídos pedaços de metal, pedras, garrafas, latas ou outros objectos estranhos.
- Não deixe que o material processado se acumule na zona de descarga. Isso pode impedir a descarga correcta e pode causar o ressalto de material através da abertura de admissão.
- Se o produto ficar entupido, desligue o motor e extraia a bateria antes de limpar os detritos.

AVISOS DE SEGURANÇA ADICIONAIS DAS BATERIAS

⚠ ADVERTÊNCIA

Para evitar o risco de incêndio, de feridas ou de danificação do produto causado por um curto-circuito, não imerja a bateria intercambiável ou o carregador em líquidos e assegure-se de que líquidos não penetrem nos aparelhos ou nas baterias. Líquidos corrosivos ou condutivos como água salgada, determinadas substâncias químicas ou produtos que contenham branqueadores podem causar um curto-circuito.

TRANSPORTE E ARMAZENAMENTO

- Pare o produto, retire a bateria e deixe que ambos arrefeçam antes de guardar ou de transportar.
- Limpe todos os materiais estranhos do produto. Guarde-o num local fresco e seco e bem ventilado a que as crianças não consigam aceder. Mantenha-o afastado de substâncias corrosivas, tais como produtos químicos utilizados em jardinagem e sais de descongelação. Não armazenar ao ar livre.
- Para transportar, prenda o aparelho de modo a evitar que este se mova ou caia, para evitar lesões ou danos no produto.

TRANSPORTE DE BATERIAS DE LÍTIU

Transporte as baterias em conformidade com as disposições e regulamentos locais e nacionais.

Siga todos os requisitos especiais na embalagem e rótulos ao transportar baterias por um terceiro. Certifique-se de que nenhuma bateria pode entrar em contato com outras baterias ou materiais condutores durante o transporte protegendo os conectores expostos com tampas ou fita isoladora e não condutora. Não transporte baterias que estejam rachadas ou com fugas. Confirme com a empresa de envio para mais conselhos.

MANUTENÇÃO

⚠ ADVERTÊNCIA

Utilize apenas peças de substituição, acessórios e encaixes do fabricante original. A inobservância desta indicação pode causar um fraco desempenho, possíveis lesões e poderá anular a sua garantia.

⚠ ADVERTÊNCIA

Os serviços de manutenção requerem extremo cuidado e conhecimentos e devem apenas ser realizado por um técnico de assistência qualificado. Para operações de serviço, leve o produto a um centro de serviço autorizado. Durante as operações de manutenção, utilize peças de substituição originais do fabricante.

- Não realize ajustes e reparações que não estejam descritos neste manual. Para outros reparos ou conselhos, procurar a ajuda de um centro de serviço autorizado.
- Limpar o produto com um pano suave seco depois de cada uso.
- Verifique todas as porcas, pregos e parafusos com intervalos frequentes para confirmar a tensão apropriada e se certificar que o produto está em condições seguras de funcionamento. Qualquer peça danificada deve ser substituída ou reparada adequadamente por um centro de serviço autorizado.
- Leve o produto a um centro de serviço autorizado para substituir as etiquetas danificadas ou ilegíveis.

ELIMINAR UMA OBSTRUÇÃO

- Para reduzir o risco de lesões associado ao contacto com as partes giratórias, pare sempre o aparelho, retire a bateria e assegure-se de que todas as partes deixaram de se mover.
- Desmonte os tubos de sopro e inspecione-os, procurando bloqueios. Limpe os tubos, se necessário.
- Retire o saco coletor de resíduos. Verifique se o adaptador do saco não tem obstruções.
- Inspecione a abertura da caixa do ventilador e do tubo para o saco de detritos para comprovar um bloqueio. Lembre-se, mesmo com a bateria é removida, as pás do ventilador pode mover-se enquanto limpa qualquer bloqueio. Mantenha os dedos longe das pás do ventilador a todo o momentos.
- Não tente remover as pás de ventilador. Se for necessário remover as pás do ventilador, leve o produto a um centro de serviço autorizado.
- Re-instalar o saco coletor e os tubos antes de inserir a bateria e ligar o produto.

RISCOS RESIDUAIS

Mesmo quando se utiliza o produto segundo as instruções, continua a ser impossível eliminar por completo certos fatores de risco residuais. Os seguintes perigos podem surgir na utilização e o operador deve prestar especial atenção para evitar o seguinte:

- Lesões por vibração
 - Sempre use a ferramenta adequada para o trabalho, use as pegas designadas e use a menor velocidade necessária para realizar a tarefa.
- A exposição ao ruído pode provocar perda de audição.
 - Use proteção para os ouvidos e limite o tempo de exposição.
- Ferimentos causados por objectos projectados pelo caudal de ar do tubo do soprador, se o saco de recolha de detritos não estiver aplicado ou se estiver danificado
 - Use sempre proteção para os olhos.

REDUÇÃO DO RISCO

Foi reportado que as vibrações das ferramentas de mão podem contribuir para uma doença designada de Síndrome de Raynaud em determinados indivíduos. Os sintomas podem incluir formigueiro, entorpecimento e empalidecimento dos dedos, habitualmente visível aquando da exposição ao frio. Estima-se que os factores hereditários, exposição ao frio e humidade, dieta, tabagismo e práticas de trabalho contribuem todos para o desenvolvimento destes sintomas. Existem medidas que podem ser tomadas pelo operador para possivelmente reduzir os efeitos da vibração:

- Mantenha o seu corpo quente durante o tempo frio. Ao operar o produto, use luvas para manter as mãos e os pulsos quentes.
- Após cada período de operação, exercite para aumentar a circulação sanguínea.
- Faça pausas frequentes no trabalho. Limite o tempo de exposição por dia.

Caso sinta algum dos sintomas desta doença, interrompa de imediato a sua utilização e consulte o seu médico sobre estes sintomas.

⚠ ADVERTÊNCIA

O uso prolongado de uma ferramenta pode causar o agravar lesões. Ao usar qualquer ferramenta durante períodos prolongados, assegure-se que faz intervalos regulares.

CONHEÇA O SEU APARELHO

Ver a página 161.

1. Pega frontal
2. Pega de libertação rápida
3. Almofada de ombro
4. Alavanca do estabilizador de rotações
5. Botão de turbo
6. Manipulo
7. Gatilho
8. Alavanca de seleção do modo soprador/ aspirador
9. Adaptador da bolsa
10. Saco de aspiração
11. Tubo inferior do soprador
12. Rodas de guia
13. Tubo de aspiração inferior
14. Tubo de aspiração superior
15. Bloqueio de rosca

SÍMBOLOS NO PRODUTO



Leia e compreenda todas as instruções antes de manipular o produto, respeite os alertas e as instruções de segurança.



Tenha cuidado com os objectos voláteis ou lançados. Mantenha todos os espectadores, especialmente crianças e animais de estimação, a pelo menos 15 m da área de funcionamento.



Ventoinhas. Mantenha as mãos e os pés afastados das aberturas enquanto o aparelho está em funcionamento.



Use protecção para os ouvidos



Usar protecção para os olhos



Não o exponha à chuva ou a condições de humidade.



O melhor nível de potência sonora é de 99 dB



Acessório compatível: RAC364



Antes de fazer quaisquer trabalhos de manutenção ou limpeza ao produto, desmonte o conjunto de baterias.



Puxar: Guia de libertação rápida



Esta ferramenta obedece a todas as normas regulamentares do país da UE onde foi comprada.



Marca de conformidade EurAsian



Marca de conformidade ucraniana



Os aparelhos eléctricos antigos não devem ser eliminados juntamente com o lixo doméstico. Recicle onde existem instalações para o efeito. Verifique com as suas Autoridades Locais ou revendedor para obter informações sobre reciclagem.



Modo de soprador



Modo de aspiração

SÍMBOLOS NESTE MANUAL



Nota



Aviso



As peças ou acessórios vendem-se separadamente

As seguintes palavras de sinal e significados destinam-se a explicar os níveis de risco associados a este produto.

⚠ PERIGO

Indica uma situação perigosa iminente, que, se não evitada, poderá resultar em morte ou ferimentos graves.

⚠ ADVERTÊNCIA

Indica uma situação potencialmente perigosa, que, se não evitada, poderá conduzir à morte ou graves lesões.

⚠ ADVERTÊNCIA

Indica uma situação potencialmente perigosa, que, se não evitada, poderá resultar em pequenas ou moderadas lesões.



ADVERTÊNCIA

Sem símbolo de alerta de segurança
Indica uma situação que pode resultar em
danos de propriedade.



Sikkerhed, ydelse og driftssikkerhed har fået topprioritet i designet af din ledningsfri blæser/ suger.

TILTÆNKTE ANVENDELSESFORMÅL

Den ledningsfri blæser/suger er kun beregnet til udendørs brug under tørre og godt oplyste forhold.

Produktet er ikke beregnet til at blive benyttet af børn eller personer med nedsatte fysiske, mentale eller sensoriske evner.

Produktet er beregnet til at blæse og opsuge lettere affald inkl.; løv, græs og andet haveaffald. Den er beregnet til at suge haveaffald op og placere det i opsamlingsposen.

Produktet er ikke designet til at opsuge vand eller andre væsker. Må ikke bruges til andre formål.

GENERELLE SIKKERHEDSADVARSLER

⚠ ADVARSEL

Alle sikkerhedsadvarsler og alle anvisninger skal læses. Manglende overholdelse af advarslerne og anvisningerne kan medføre elektrisk stød, brand og/eller alvorlige personskader. Gem vejledningen med advarsler og anvisninger til senere opslag.

⚠ ADVARSEL

Lad aldrig børn eller personer uden kendskab til denne brugsanvisning bruge produktet. Lokale love kan have indflydelse på den tilladte brugeralder.

UDDANNELSE

- Læs brugsanvisningen omhyggeligt. Sørg for at blive fortrolig med betjeningselementerne samt korrekt brug af produktet.
- Husk det er brugeren selv der er ansvarlig for ulykker eller farer andre folk bliver udsat for.
- Du må aldrig bruge produktet, når du er træt, syg eller under påvirkning af alkohol, narkotika eller medicin.

FORBEREDELSE

- Nogle områder har regler, som begrænser brugen af produktet til visse formål. Forhør

dig hos de lokale myndigheder.

- Benyt altid fuldstændigt høreværn under brugen af produktet. Denne maskine er ekstremt støjende, og der er fare for varige høreskader, hvis der ikke træffes de foreskrevne foranstaltninger til at begrænse eksponering, reducere støjen og benytte høreværn.
- Benyt altid fuldstændigt øjenværn under brugen af dette produkt. Producenten anbefaler på det kraftigste, at man benytter fuld ansigtsmæssige og helt lukkede beskyttelsesbriller. Normale briller eller solbriller yder ikke tilstrækkelig beskyttelse. Genstande kan til enhver tid blive opslynget med høj hastighed af den kraftige luftstråle og kan springe tilbage mod operatøren, hvis de rammer hårde overflader.
- Under arbejdet med produktet skal man altid bære kraftigt fodtøj og lange bukser. Undlad at bruge maskinen barfodet eller med åbne sandaler. Undgå at bære løstsiddende tøj eller frit hængende snører eller slips.
- Undlad at benytte løstsiddende tøj eller smykker, som kan blive trukket ind i luftindgangen. Langt hår skal bindes op over skulderniveau, så det ikke risikerer at vikle sig ind i bevægelige dele.
- Inden hver brug skal man kontrollere, at alle betjeningselementer og alt sikkerhedsudstyr fungerer upåklageligt. Undlad at bruge produktet, hvis motoren ikke kan standses med "SLUK"-kontakten.
- Produktet skal benyttes i den anbefalede position og kun på et fast, plant underlag.
- Maskinen må ikke anvendes på en stenlagt eller grusoverflade, hvor udslynget materiale kan forårsage personskader.
- Inden hver brug skal man altid efterse huset for skader. Kontrollér, at skærme og håndtag er monteret og sidder ordentligt fast. Udskift altid slidte eller beskadigede komponenter sætvis, så balancen opretholdes. Udskift beskadigede eller ulæselige mærkater.
- Brug aldrig maskinen, når der er personer, især børn, eller dyr i nærheden.
- Hold alle køleluftindgange fri for affaldsstykker.
- Brug river og koster til at løsne rester før blæsning.

- Ryd arbejdsområdet inden hver ibrugtagning. Fjern alle genstande som fx sten, knust glas, søm, ledning eller snor, som kan blive blæst langt væk af den kraftige luftstrøm.

⚠ ADVARSEL

Før produktet bruges til at suge, skal du samle de øverste og nederste sugeslanger. Dette skal kun gøres én gang. Sugeren må aldrig benyttes, hvis kun den øverste sugeslange er påmonteret. Risikoen for personskader øges betragteligt, hvis man ikke iagttager denne advarsel.

BRUG OG PLEJE AF BATTERIVÆRKTØJ

- Opladning må kun finde sted med den af producenten foreskrevne oplader. En oplader, der er beregnet til én type batteri, kan udgøre en brandrisiko, hvis den bruges til en anden batteritype.
- Brug kun elværktøjer sammen med specifik godkendte batterier. Brug af andre batterityper kan medføre fare for personskade og brand.
- Når batteriet ikke bruges, må det ikke opbevares sammen med metalgenstande som fx papirclips, mønter, nøgler, søm, skruer eller andre metalgenstande, som kan skabe forbindelse mellem batteriets poler. Hvis batteriets poler kortsluttes, kan det forårsage forbrændinger eller ildebrand.
- Hvis batteriet misbruges, kan der sprøjte væske ud af det; undgå kontakt med batterivæsken. Ved kontakt med batterivæsken skylles med vand. Hvis der kommer væske i øjnene, søges desuden læge. Udsprøjtet batterivæske kan forårsage irritation eller forbrændinger.
- Brug ikke et batteri eller værktøj, der er beskadiget eller modificeret. Beskadigede eller modificerede batterier kan være ustabile, hvilket kan medføre brand, eksplosion eller personskade.
- Udsæt ikke et batteri eller værktøj for brand eller høje temperaturer. Hvis batterier eller værktøj udsættes for temperaturer over 130 °C, kan det medføre eksplosion.
- Følg vejledningen for opladning, og oplad ikke batteriet eller værktøjet uden for det temperaturområde, der er angivet i vejledningen. Forkert opladning eller opladning ved temperaturer uden for det angivne område kan beskadige batteriet og øge risikoen for brand.

VEKSELSTRØM

- Inden produktet startes, skal man sikre sig, at fødekammeret er tomt.
- Undgå at have ansigt og krop i nærheden af fødeåbningen.
- Maskinen må kun betjenes på rimelige tidspunkter -- dvs. ikke tidligt om morgenen eller sent om aftenen, hvor man risikerer at genere andre.
- Undgå at bruge produktet i atmosfærer med eksplosionsfare.
- Undlad at bruge produktet i dårligt vejr, især hvis der er fare for lynnedslag.
- Må ikke anvendes under dårlige lysforhold. Operatøren skal have tydeligt overblik over arbejdsområdet, så han/hun kan identificere evt. faremomenter.
- Brug af lignende værktøjer i nærheden øger både risikoen for høreskader og for, at uvedkommende personer kommer ind i dit arbejdsområde.
- Sørg altid for at have godt fodfæste på skrånninger. Gå, løb aldrig.
- Hænder eller legemsdele i øvrigt eller beklædningsgenstande må aldrig komme ind i fødekammeret, udkastslisen eller nær andre bevægelige maskindele.
- Hold et godt fodfæste og balance. Overstræk ikke. Overstrækning kan føre til tab af balancen.
- Brug aldrig produktet med defekte skærme, eller skjolde, eller uden påmonteret sikkerhedsudstyr, fx påmonteret affaldsopsamler.
- Undgå at ændre ved maskinen på nogen som helst måde eller at bruge dele og tilbehør, som ikke anbefales af producenten.

⚠ ADVARSEL

Hvis produktet tabes, udsættes for stød eller begynder at vibrere unormalt, skal man omgående stoppe det og inspicere det for skader eller lokalisere årsagen til vibrationen. Enhver beskadiget del skal repareres ordentligt eller udskiftes på et autoriseret servicecenter.

- Stop altid produktet, og fjern batteriet for at reducere risikoen for personskader ved kontakt med bevægelige dele. Du skal sikre dig, at alle bevægelige dele ikke bevæger sig, inden du gør noget af følgende:
 - at efterlade produktet uden opsyn
 - Rydning af blokeringer eller rengøring af tilstoppede nedløbsrør
 - kontrollér, rengører eller arbejder med produktet
 - Inspicering af produktet efter et fremmedelement er ramt
- Afbryd og fjern straks batteriet i tilfælde af en ulykke eller et nedbrud. Betjen ikke produktet igen, før det er blevet kontrolleret fuldstændigt af et godkendt servicecenter.

SIKKERHEDSADVARSLER PÅ BLÆSER

- Under støvede forhold skal du bruge en ansigtsmaske for at nedsætte risikoen for personskade forbundet med indhalering af støv.
- Overfladerne fugtes en smule i støvede omgivelser.
- Maskinen må ikke betjenes i nærheden af åbne vinduer.
- Brug den fulde blæserdyseforlængelse, så luftstrømmen kan virke tæt ved jorden og arbejde effektivt.
- Ret ikke blæserdysen mod personer eller kæledyr.
- Der må aldrig anbringes genstande i blæseslangerne.
- Placér ikke produktet oven på eller i nærheden af løst haveaffald. Affald kan blive suget ind i indsugningsåbningen og evt. medføre skader på produktet.

SIKKERHEDSADVARSLER PÅ SUGEREN

⚠ ADVARSEL

Sugeren må aldrig benyttes, hvis kun den øverste sugeslange er påmonteret. Manglende iagttagelse af denne advarsel øger faren for personskader.

BEMÆRK: Uden den lave sugeslange monteret er det meget nemmere at række op inden i slangen mod ventilatorklingen.

- Undgå at benytte sugeren, uden at affaldsopsamlingsposen er ordentligt monteret. Flyvende affald kan give alvorlige personskader. Kontrollér, at affaldsopsamlingsposen er i god stand og helt lukket inden ibrugtagning.
- Bevæg produktet fra side til side langs affaldets ydre kant. For at undgå tilstopning må sugeslangen ikke sættes direkte i affaldsdyngen.
- Hold motoren højere end sugeslangens indløbsende.
- For at undgå alvorlige personskader for operatøren og skader på produktet må man ikke forsøge at opsuge sten, glasskår, flasker el.lign.
- Undgå situationer, som kan forårsage brand i affaldsopsamlingsposen. Arbejd ikke i nærheden af åben ild. Støvsug ikke varm aske fra ildsteder, griller osv. Støvsug ikke cigaretter og cigaretter, medmindre skoddene er helt kolde.
- Hold alle legemsdele på afstand af alle bevægelige dele. Roterende skovlblade kan forårsage alvorlig personskade. Stop motoren, og kontrollér, at skovlhjulet er standset helt, inden man åbner sugedøren, monterer/skifter slanger, åbner eller fjerner affaldsposen.
- Når materiale suges ind i produktet, skal man sørge for, at metalstykker, sten, flasker, dåser eller andre fremmedelementer ikke inkluderes.
- Lad ikke bearbejdet materiale samle sig i udtømningsområdet. Dette kan modarbejde ordentlig udtømning og kan resultere i tilbageførsel af materiale igennem indløbsåbningen.
- Hvis produktet bliver sammenpresset, stoppes motoren, og fjern batteriet, før affaldet ryddes væk.

YDERLIGERE SIKKERHEDSADVARSLER OM BATTERI

⚠ ADVARSEL

For at undgå risiko for brand, kvæstelser eller beskadigelse af produktet forårsaget af kortslutning må værktøjet, batteripakken eller opladeren ikke nedsænkes i vand. Sørg ligeledes for, at der ikke trænger væske ind i enhederne og batterierne. Korroderende eller ledende væsker, f.eks. saltvand, bestemte kemikalier, blegestoffer eller produkter, som indeholder blegestoffer, kan forårsage kortslutning.

TRANSPORT OG OPBEVARING

- Stop produktet, fjern batteriet, og lad det køle af inden opbevaring eller transport.
- Afrens alle fremmedlegemer fra produktet. Opbevar den på et køligt, tørt og godt ventileret sted utilgængeligt for børn. Opbevar motorsaven på afstand af ætsende midler som f.eks. havekemikalier og optøningssalt. Må ikke opbevares udendørs.
- Til transport skal man sikre produktet, så den ikke kan bevæge sig eller vælte; dette for at forebygge personskader eller skader på produktet.

TRANSPORT AF LITHIUM-BATTERIER

Batterier skal transporteres i henhold til lokale og nationale forskrifter og love.

Når batterier skal transporteres af tredjepart, skal alle specielle krav til emballering og mærkning efterleves. Man skal sikre sig, at ingen batterier kan komme i kontakt med andre batterier eller ledende materialer under transporten ved at beskytte blottede konnektorer med isolerende, ikke-ledende hætter eller tape. Undlad at transportere batterier med revner eller utætheder. Rådfør dig desuden hos speditøren.

VEDLIGEHOLDELSE

⚠ ADVARSEL

Brug kun originale reservedele, ekstraudstyr og tilbehør fra producenten. I modsat fald er der fare for personskader, dårlig maskinydelse og annullering af garantien.

⚠ ADVARSEL

Vedligeholdelse kræver stor omhyggelighed og viden og kun bør udføres af en kvalificeret tekniker. Servicering af produktet skal ske på et autoriseret servicecenter. Brug kun originale reservedele fra maskinproducenten i forbindelse med servicearbejde.

- Undlad at foretage justeringer og reparationer, som ikke er beskrevet i denne brugsanvisning. For andre reparationer eller råd skal man søge assistance på et autoriseret servicecenter.
- Produktet skal rengøres med en blød klud efter hver brug.
- Tjek ofte alle møtrikker, bolte og skruer om de sidder godt fast, og sørg for at produktet fungerer ordentligt. Enhver del, som bliver beskadiget, skal repareres ordentligt eller udskiftes på et autoriseret servicecenter.
- Indlevér produktet på et autoriseret servicecenter for at få udskiftet beskadigede eller ulæselige mærkater.

AFHJÆLPNING AF BLOKERING

- For at mindske risikoen for personskader i forbindelse med berøring af roterende dele skal man altid stoppe produktet, fjerne batteripakken og sørge for, at alle bevægelige dele er stoppet fuldstændigt.
- Aftag blæseslanger ved kontrol af tilstoppelse. Rengør rørene efter behov.
- Fjern affaldsopsamlingsposen. Kontrollér, at poseadapteren er fri for blokering.
- Undersøg åbningen til blæserrummet og røret til affaldsposen for tegn på blokering. Husk på, at selv om batteriet er fjernet, kan blæseren og bioklip-knivene bevæge sig, når man fjerner evt. blokeringer. Sørg altid for at holde fingrene på afstand af blæseren og bioklipknivene.
- Forsøg aldrig at fjerne blæseren eller bioklipkniven. Hvis det bliver nødvendigt at fjerne blæser og bioklipknive, skal man indlevere produktet på et autoriseret servicecenter.
- Husk at montere rørene og affaldsopsamlingsposen, inden du isætter batteriet og starter produktet.

UUNDGÅELIGE RISICI

Selv om produktet anvendes som foreskrevet, er det stadig umuligt at eliminere visse uundgåelige risikofaktorer fuldstændigt. Følgende risici kan opstå under brug, og operatøren bør være særligt opmærksom for at undgå følgende:

- Personskader forårsaget af vibration
 - Brug altid det rigtige værktøj til arbejdsopgaven, brug de hertil indrettede håndtag, og benyt den lavest nødvendige hastighed til udførelse af arbejdsopgaven.
- Eksponering for støj kan medføre høreskader.
 - Benyt høreværn, og begræns eksponering.
- Kvæstelse pga. flyvende genstande fra blæserslangen, hvis opsamlingsposen ikke er monteret eller er beskadiget
 - Der skal altid benyttes øjenværn.

RISIKOREDUKTION

Der er rapporteret om, at vibrationer fra håndholdte værktøjer kan være medvirkende til en lidelse kaldet Raynauds syndrom hos visse personer. Symptomerne herpå kan være prikken, følelsesløshed og blegning af fingrene, der normalt viser sig ved kuldepåvirkning. Faktorer som arvelighed, udsættelse for kulde og fugt, kost, rygning og arbejdsvaner menes alle at medvirke til udviklingen af disse symptomer. Der findes forholdsregler, som operatøren kan træffe for at begrænse påvirkningen fra vibrationer:

- Hold kroppen varm i koldt vejr. Brug handsker, så hænder og vriste holdes varme under arbejdet.
- Motionér efter hver arbejdsperiode for at øge blodcirkulationen.
- Hold hyppige arbejds pauser. Begræns eksponeringen for vibrationer pr. dag.

Hvis du mærker nogen af symptomerne på denne tilstand, skal du straks ophøre med arbejdet og søge læge.

⚠ ADVARSEL

Længere tids brug af et værktøj kan forårsage - eller forværre - personskader. Når man bruger et værktøj i længere perioder ad gangen, skal man huske at holde hyppige pauser.

KEND PRODUKTET

Se side 161.

1. Forhåndtag
2. Lynudløsningshåndtag
3. Skulderpude
4. Selvkøringsgreb
5. Turboknap
6. Håndtag
7. Udløser
8. Vælger til blæse/sugemodus
9. Taske-adapter
10. Sugepose
11. Nederste blæserslange
12. Styrehjul
13. Nederste sugeslange
14. Øverste sugeslange
15. Låsegevind

SYMBOLER PÅ PRODUKTET



Alle vejledninger skal læses og forstås, inden produktet benyttes; følg alle advarsler og sikkerhedsinstrukser.



Pas på udslyngede eller flyvende objekter. Sørg for, at tilskuere (især børn og dyr) er mindst 15 m fra arbejdsområdet.



Roterende blæsere. Hold hænder og fødder på afstand af åbninger, mens produktet kører.



Bær høreværn



Benyt øjenværn



Må ikke udsættes for regn eller bruges på fugtige steder.



Det garanterede lydeffektniveau er 99 dB.



Kompatibelt tilbehør: RAC364



Aftag batterisættet før der eventuelt udføres arbejde på produktet.



Hiv: Hurtigudløsertap



Dette redskab overholder alle lovkraft og standarder i det EU-land, hvor det er købt.



EurAsian overensstemmelsesmærke



Ukrainsk overensstemmelsesmærke



Elektriske affaldsprodukter bør ikke afskaffes sammen med husholdningsaffald. Genbrug venligst hvor faciliteterne tillader dette. Tjek med din lokale kommune eller forhandler for genbrugsråd.



Blæsemodus



Sugemodus

SYMBOLER I DENNE BRUGSANVISNING



Bemærk



Advarsel



Dele eller tilbehør, der sælges separat

De følgende ikoner og betydninger er beregnet til at forklare risikoen involveret i at anvende denne enhed.

⚠ **FARE**

Indikerer en meget farlig situation, som hvis ikke undgås, kan føre til alvorlige skader og i værste fald døden.

⚠ **ADVARSEL**

Indikerer en potentielt farlig situation, som hvis ikke undgås, kan føre til alvorlige skader og i værste fald døden.

⚠ **PAS PÅ**

Indikerer en potentielt farlig situation, som hvis ikke undgås, kan føre til mindre eller moderate skader.

PAS PÅ

Uden sikkerhedsadvarselssymbol
Indikerer en situation, som kan medføre materiel skade.

Säkerhet, prestanda och pålitlighet har varit högsta prioritet vid design av din trådlösa blåsare/sugare.

ANVÄNDNINGSSOMRÅDE

Den sladdlösa blåsaren/sugaren är enbart avsedd för utomhusbruk i torra och väl upplysta förhållanden.

Produkten är inte avsedd för användning av barn eller personer med fysiska, mentala eller emotionella funktionshinder.

Produkten är avsedd för att blåsa bort och suga upp lättare skräp som löv, gräs och annat trädgårdsavfall. Den är avsedd att suga upp och sönderdela skräp och samla det i uppsamlingspåsen.

Produkten är inte utformad för att suga upp vatten eller andra vätskor. Får ej användas för annat ändamål.

ALLMÄNNA SÄKERHETSFÖRESKRIFTER

⚠ VARNING

Läs alla säkerhetsvarningar och alla instruktioner. Om du inte följer varningarna och anvisningarna kan du orsaka elektrisk stöt, brand och allvarlig skada. Spara dessa varningar och instruktioner för senare behov.

⚠ VARNING

Låt aldrig barn eller personer som inte känner till dessa instruktioner använda maskinen. Lokala regler kan åldersbegränsa användningen av gräsklipparen.

UTBILDNING

- Läs igenom instruktionerna noga. Bekanta dig med reglagen och rätt användning av produkten.
- Kom ihåg att användaren är ansvarig för olyckor och faror som uppstår för andra människor och deras egendom.
- Använd aldrig produkten om du är trött, sjuk eller påverkad av alkohol, droger eller medicin.

FÖRBEREDELSE

- En del regioner har regelverk som begränsar produktens användning till vissa funktioner. Ta kontakt med lokala

myndigheter för information.

- Använd alltid hörselskydd vid användning av produkten. Maskinen är extremt ljudlig och kan ge permanenta hörselskador om inte säkerhetsföreskrifter för att begränsa exponering, minska buller och använda skyddsutrustning följs.
- Använd alltid heltäckande skyddsglasögon vid användning av produkten. Tillverkaren rekommenderar starkt användning av ansiktsskydd eller heltäckande skyddsglasögon. Vanliga glasögon eller solglasögon skyddar inte tillräckligt. Föremål kan när som helst kastas i väg i hög hastighet av den kraftfulla luftströmmen och studsas på hårda ytor i riktning mot användaren.
- Vid användning av produkten ska du alltid använda ordentliga skodon och långa byxor. Använd inte maskinen barfota eller med öppna sandaler. Undvik att bära kläder som sitter löst eller som har hängande bälten och slips.
- Bär inga löst sittande kläder eller smycken som kan fastna i rörliga delar eller sugas in i luftintag. Sätt upp hår som är längre än till axlarna så att det inte trasslas in i rörliga delar.
- Kontrollera före användning så att reglage och säkerhetsanordningar fungerar som de ska. Använd inte produkten om "Off"-läget inte stoppar motorn.
- Använd produkten i rekommenderat läge och enbart på fast, jämnt underlag.
- Kör inte maskinen på asfalterad eller grusad mark där utskjutet material skulle kunna orsaka skada.
- Kontrollera höljet före varje användning. Se till att skydd och handtag sitter på plats och är ordentligt säkrade. Byt ut slitna eller skadade delar i hela satser för att bibehålla balansen. Byt ut skadade eller oläsliga skyltar.
- Använd aldrig maskinen i närheten av människor, speciellt barn, eller husdjur.
- Håll alla kylluftsintag fria från skräp.
- Använd krattor och kvastar för att lossa skräp innan du använder blåsmaskinen.
- Rensa upp på arbetsområdet innan arbetet påbörjas. Ta bort alla föremål som stenar, glasbitar, spikar, vajerbitar eller tråd som kan fara iväg långt med luften.

⚠ VARNING

Före du använder produkten i sugläget, måste du montera samman de övre och nedre sugrören. Detta behöver endast göras en gång. Använd aldrig sugen med enbart övre röret monterat. Risken för allvarlig personskada ökar drastiskt om du inte uppmärksammar denna varning.

ANVÄNDNING OCH UNDERHÅLL AV BATTERIET

- Använd endast den batteriladdare som tillverkaren rekommenderar. En batteriladdare som passar en typ av batteripack kan vara en brandfara om den används med en annan typ av batteripack.
- Använd eldrivna verktyg med batteripaket som är speciellt utformade för användning tillsammans med produkterna. Om du använder andra batteripaket ökar du risken för skador och brand.
- När batteripaketet inte används ska det hållas bort från metallföremål som gem, mynt, nycklar, spikar, skruvar och andra små metallföremål som kan kortsluta batteriets kontakter. Vid kortslutning av batteriets kontakter finns det risk för brännskador eller brand.
- Vätska kan läcka ut från batteripacket vid felaktig användning; undvik kontakt med vätskan. Spola med vatten om du kommer i kontakt med den. Uppsök omedelbart läkarhjälp om du får vätska i ögonen. Den kan orsaka irritation och brännskador.
- Använd inte en batterienhet eller ett verktyg som är skadat eller har modifierats. Skadade eller modifierade batterier kan bete sig oförutsägbart, vilket kan leda till brand, explosion eller risk för olycksfall.
- Utsätt inte en batterienhet eller ett verktyg för eld eller mycket höga temperaturer. Exponering för eld eller mycket höga temperaturer över 130°C kan orsaka explosion.
- Följ alla anvisningar för laddning och ladda inte batterienheten eller verktyget vid en temperatur utanför det intervall som anges i anvisningarna. Att ladda på felaktigt sätt eller vid temperaturer utanför det angivna intervallet kan skada batteriet och ökar brandrisken.

ANVÄNDNING

- Kontrollera att matningen är tom innan produkten startas.
- Håll ansiktet och kroppen borta från matningsöppningen.
- Använd enbart maskinen under lämpliga tider – inte tidigt på morgonen eller sent på kvällen när det kan störa omgivningen.
- Använd aldrig produkten i lättantändlig atmosfär.
- Använd inte produkten i dåligt väder, speciellt inte om det finns risk för åskoväder.
- Använd endast i god belysning. Operatören måste ha god överblick över arbetsområdet för att upptäcka potentiella faror.
- Användning av liknande maskiner i närheten ökar risken för både hörselskador och för andra personer i närheten av arbetsområdet.
- Se till att du har ordentligt fotfäste i lutningar. Gå. Spring aldrig.
- Håll aldrig händer eller andra kroppsdelar eller klädesdelar inuti matarkammaren, utblåsningsröret eller i närheten av någon rörlig del.
- Bibehåll ett bra fotfäste och bra balans. Sträck dig inte. Att sträcka sig kan resultera i balansförlust.
- Använd aldrig verktyget med defekta skydd eller utan att säkerhetsanordningarna, som skräpuppsamlaren, är på plats.
- Modifiera inte maskinen på något sätt och använd inte delar eller tillbehör som inte rekommenderats av tillverkaren.

⚠ VARNING

Om produkten tappas, utsätts för hårda slag eller börjar vibrera onormalt mycket ska produkten omedelbart stoppas och kontrolleras för eventuella skador eller orsak till vibrationerna. Eventuella skador ska repareras ordentligt eller bytas ut av ett auktoriserat servicecenter.

- För att reducera risken för olycksfall i samband med roterande delar, stoppa alltid produkten och avlägsna batterienheten. Se till att alla rörliga delar har stannat helt och hållet före:
 - att lämna produkten utan tillsyn



- borttagning av blockeringar eller igensättningar
- vid kontroll, rengöring eller arbete på produkten
- inspektion av produkten efter kollision med ett främmande föremål
- Slå omedelbart av enheten och avlägsna batteripaketet vid ett olycksfall eller om enheten inte fungerar. Använd inte produkten igen innan den har kontrollerats i sin helhet av en auktoriserad serviceverkstad.

SÄKERHETSFÖRESKRIFTER FÖR

- Använd en ansiktsmask om förhållandena är dammiga. Det minskar risken för skador på grund av damminandning.
- Om det är dammigt ska du fukta ytorna innan arbetet.
- Använd inte apparaten i närheten av öppna fönster.
- Använd hela blåsmunstycket så att luftströmmen kommer nära marken och är effektiv.
- Rikta inte utblåsmunstycket mot andra människor eller djur.
- Placera aldrig föremål i blåsrören.
- Placera inte produkten ovanpå eller nära löst skräp. Skräp kan sugas in i luftintaget och eventuellt skada enheten.

SÄKERHETSFÖRESKRIFTER FÖR

⚠ VARNING

Använd aldrig sugen med enbart övre röret monterat. Följs inte denna varning kan det innebära risk för personskada.

NOTERA: När det nedre sugröret är monterat är det mycket lättare att nå upp inuti röret mot fläktbladet.

- Använd inte sugen utan skräppuppsamlingssäcken. Kringflygande skräp kan orsaka allvarliga personskador. Se till att skräpsamlaren är i gott skick och ordentligt stängd före användning.
- Rör produkten från sida till sida jäms med skräpets yttre kant. Undvik stopp genom att inte placera sugröret direkt i en skräphög.

- Håll motorn högre än intagsänden på sugröret.
- För att undvika allvarliga skador på operatör eller på enhet ska du inte försöka suga upp sten, glasbitar, flaskor eller liknande föremål.
- Undvik situationer som kan orsaka brand i skräppuppsamlingssäcken. Använd inte maskinen nära en öppen låga. Sug inte upp varm aska från eldstäder, grillar, lövhögar, etc. Sug inte heller upp cigarettfimpar eller cigarrer om de inte har svalnat helt.
- Håll alla kroppsdelar borta från rörliga delar. De roterande bladen kan orsaka allvarliga skador. Stoppa motorn och se till att bladen inte roterar innan vakuumluckan öppnas, installation/byte av slangar, öppna eller ta bort skräppåse.
- När material matas in i produkten, se till att delar av metall, sten, flaskor, burkar eller andra främmande föremål inte följer med.
- Tillåt inte bearbetat material att byggas upp i utmatningsområdet. Detta kan förhindra korrekt utmatning och leda till kast av material genom intagsöppningen.
- Om produkten blir igensatt, stanna motorn plocka bort batteripaketet före du avlägsnar skräpet.

YTTERLIGARE SÄKERHETSVARNINGAR FÖR BATTERIER

⚠ VARNING

För att undvika den fara för brand, personskador eller produktskador som orsakas av en kortslutning, doppa inte ner verktyget, utbytesbatteriet eller laddaren i vätskor och se till att ingen vätska kan tränga in i apparaterna eller batterierna. Korroderande eller ledande vätskor, som saltvatten, vissa kemikalier, blekningsmedel eller produkter som innehåller blekmedel, kan orsaka en kortslutning.

TRANSPORT OCH FÖRVARING

- Stoppa produkten, ta ur batteriet och låt svalna före transport eller förvaring.
- Ta bort allt främmande material från produkten. Förvara den svalt och välventilerat på en plats där barn inte kan komma åt den. Förvara på avstånd från



frätande medel, t.ex. trädgårdskemikalier och vägsalt. Förvara den inte utomhus.

- Vid transport ska produkten säkras mot rörelser eller fallande för att förhindra personskador eller att produkten skadas.

TRANSPORTERA LITIUMBATTERIER

Transportera batterier enligt lokala och nationella riktlinjer och regleringar.

Följ alla särskilda krav på förpackning och etikettering vid transport av batterier som utförs av tredje part. Se till att inga batterier kan komma i kontakt med andra batterier eller ledande material under transporten genom att skydda exponerade kontaktytor med isolerande, icke ledande överdrag eller tejp. Transportera aldrig batterier som har spruckit eller som läcker. Kontrollera med det transporterande företaget för vidare rådgivning.

UNDERHÅLL

⚠ VARNING

Använd enbart ersättningsdelar och tillbehör från tillverkaren. Om inte kan det eventuellt orsaka skador, sämre resultat och kan upphäva garantin.

⚠ VARNING

Att serva produkten kräver extrem försiktighet och kunskap och bör endast utföras av en kvalificerad servicetekniker. Vid service ska produkten lämnas till auktoriserat servicecenter. Under servicearbete ska enbart tillverkarens originaltillbehör användas.

- Gör inga justeringar eller reparationer som inte beskrivs i denna bruksanvisning. För andra reparationer eller för råd ska du alltid vända till auktoriserat servicecenter.
- Efter rengöring ska maskinen alltid rengöras med en mjuk torr trasa.
- För att vara säker på att produkten är säker att använda, kontrollera alla muttrar, bultar och skruvar regelbundet för att säkerställa att de är åtdragna ordentligt. Skadade delar skall repareras ordentligt eller bytas ut av en auktoriserad servicefirma.
- Lämnna produkten till auktoriserat servicecenter för utbyte av skadade eller

oläsbara etiketter.

RENSA BLOCKERADE RÖR

- För att minska skaderisken med roterande delar ska produkten alltid stoppas, batteriet tas ur och alla rörliga delar stoppas helt.
- Ta bort blåsroren för att kontrollera om det föreligger en blockering. Rensa rören vid behov.
- Ta bort skräpsamlaren. Kontrollera att uppsamlarfästet inte är igensatt.
- Kontrollera fläktöppningen och röret till skräpsamlaren för tecken på blockering. Kom ihåg att även om batteriet tas bort kan fläkt- och mullningsblad rotera när du rensar blockeringar. Håll alltid händerna på säkert avstånd från fläkt- och mullningsblad.
- Ta aldrig bort fläkt- eller mullningsblad. Om man måste ta bort fläkt- eller mullningsblad ska produkten lämnas till auktoriserat servicecenter.
- Sätt tillbaka rör och skräpsamlare innan batteriet sätts i och produkten startas.

KVARSTÄENDE RISKER

Även om produkten används enligt instruktionerna går det inte att eliminera alla eventuella riskfaktorer. Följande risker kan uppkomma under bruk och användaren ska vara extra uppmärksam för att undvika följande:

- Skada orsakad av vibration
 - Använd alltid rätt verktyg för arbetet, använd specifika handtag och lägsta hastighet som krävs för att utföra uppgiften.
- Exponering för buller kan orsaka hörselskador.
 - Använd hörselskydd och begränsa exponeringen.
- Risk för olycka genom flygande föremål från blåsrorets luftström om uppsamlingspåsen för skräp inte är monterad eller är skadad
 - Använd alltid lämpligt ögonskydd.

RISKMINSKNING

Det finns rapporter om att vibrationer från handhållna verktyg kan bidra till ett tillstånd som kallas Raynauds syndrom för vissa personer. Symptomen brukar vara att det sticker i fingrarna och att de domnar bort; fingrarna kan också bli vita, särskilt vid kyla. Årftliga faktorer, kyla och fukt, diet, rökning

och arbetsrutiner tros alla bidra till att orsaka dessa symptom. Det finns förebyggande åtgärder som du kan vidta för att försöka minska vibrationernas påverkan:

- Håll dig varm när du arbetar i kallt väder. Använd handskar för att hålla händer och handleder varma under användning.
- Träna och rör på dig efter varje användningstillfälle för att öka blodcirkulationen.
- Ta ofta pauser från arbetet. Begränsa tiden du utsätter dig varje dag.

Upphör omedelbart om du upplever några av dessa symptom och uppsök din läkare.

⚠ VARNING

Risk för person- eller slitageskador vid användning av verktyget under lång tid. Om verktyget används under längre perioder krävs regelbundna pauser.

LÄR KÄNNA PRODUKTEN

Se sida 161.

1. Främre handtag
2. Snabbfrigöringshandtag
3. Axeldyna
4. Automatisk hastighetsreglering
5. Turboknapp
6. Handtag
7. Avtryckare
8. Reglage för val av blåsar-/sugläge
9. Väskadapter
10. Sugbag
11. Nedre blåsrör
12. Guidehjul
13. Nedre sugrör
14. Övre sugrör
15. Trådläsning

SYMBOLER PÅ PRODUKTEN



Läs igenom och var införstådd med alla instruktioner före användning av produkten, var uppmärksam på alla varningar och säkerhetsinstruktioner.



Se upp med kringkastade eller flygande föremål. Håll alla åskådare, barn och husdjur på minst 15 meters avstånd från arbetsområdet.



Roterande fläktar. Se till att hålla händer och fötter borta från öppningarna när produkten är igång.



Använd hörselskydd



Bär ögonskydd



Utsätt inte för regn eller våta omgivningar.



Garanterad ljudnivå är 99 dB



Kompatibelt tillbehör: RAC364



Ta bort batteripaketet innan du påbörjar arbete på produkten.



Dra: Snobblossningsflik



Detta verktyg uppfyller alla standarder i de EU-länder där det kan köpas.



EurAsian överensstämmelsesymbol



Ukrainskt märke för överensstämmelse



Gamla elektroniska produkter ska inte kastas med hushållssoporna. Återvinn där sådana faciliteter finns. Kontrollera med din lokala myndighet eller säljaren för att få återvinningstips.



Blåsarläge



Sugläge

SYMBOLER I MANUALEN



Notera



Varning



Delar och utrustning säljs
separat

Följande signalord och betydelser är tänkta att förklara de olika risknivåerna som är associerade med denna produkt.

FARA

Indikerar en överhängande farlig situation som kan, om den inte undviks, resultera i dödsfall eller allvarlig skada.

VARNING

Indikerar en potentiellt farlig situation som kan, om den inte undviks, resultera i dödsfall eller allvarlig skada.

PÅMINNELSE

Indikerar en potentiellt farlig situation som kan, om den inte undviks, resultera i mindre eller medelstora skador.

PÅMINNELSE

Utän säkerhetssymbol

Visar på en situation som kan orsaka skada på egendom.

Langattoman puhaltimen/imurin suunnittelussa on pidetty etusijalla turvallisuutta, suorituskykyä ja luotettavuutta.

KÄYTTÖTARKOITUS

Langaton puhallin/imuri on tarkoitettu ainoastaan ulkokäyttöön kuivissa ja hyvin valaistuisissa olosuhteissa.

Tuotetta ei ole tarkoitettu lasten eikä sellaisten ihmisten käytettäväksi, joiden ruumiin, aistien tai mielen suorituskyky on heikentynyt.

Tuotteella saa puhaltaa ja imuroida kevyitä roskia, kuten lehtiä, ruohoa ja muuta puutarhajätettä. Se on tarkoitettu roskien imurointiin ja silppuamiseen ja varastointiin keruusäkkiin.

Laitetta ei ole tarkoitettu veden tai muiden nesteiden imurointiin. Älä käytä muihin tarkoituksiin.

YLEISET TURVALLISUUSVAROITUKSET

⚠ VAROITUS

Lue kaikki turvallisuusvaroitukset ja ohjeet. Varoitusten ja ohjeiden laiminlyönnistä voi seurata sähköisku, tulipalo ja/tai vakava loukkaantuminen. Säilytä nämä varoitukset ja ohjeet myöhempä tarvetta varten.

⚠ VAROITUS

Älä anna lasten tai käyttöohjeita tuntemattomien ihmisten käyttää laitetta. Paikalliset säädökset saattavat asettaa rajoituksia käyttäjän iälle.

KOULUTUS

- Lue ohjeet huolella. Tutustu ohjaimiin ja tuotteen asianmukaiseen käyttöön.
- Muista, että ruohonleikkurin käyttö on vastuunalainen vahingoista ja vaaroista, jotka hän aiheuttaa muille ihmisille ja heidän omaisuuksilleen.
- Älä koskaan käytä tuotetta väsyneenä, sairaana tai alkoholin, huumeiden tai lääkkeiden vaikutuksen alaisena.

VALMISTELUT

- Joillain alueilla vallitsee säädöksiä, jotka rajoittavat tämän tuotteen käyttöä joissain toiminnoissa. Pyydä paikallisilta

viranomaisilta neuvoa.

- Käytä aina kuulonsuojaimia tuotetta käyttäessäsi. Tämä laite on erittäin äänekkäs ja saattaa vahingoittaa kuuloa pysyvästi, jos ei noudateta varotoimia altistumisen rajoittamiseksi ja melutason alentamiseksi ja jos ei käytetä kuulonsuojaimia.
- Käytä aina täysiä suojalaseja tuotetta käyttäessäsi. Valmistaja suosittelee painokkaasti täyttä kasvosuojusta tai täysin suljettuja suojalaseja. Tavalliset silmälasit tai aurinkolasit eivät tarjoa riittävää suojaa. Tehokas ilmavirta voi singota kappaleita milloin vain, ja ne voivat kimmota kovista pinoista käyttäjää kohden.
- Käytä aina tuotetta käyttäessäsi asianmukaisia jalkineita ja pitkiä housuja. Älä käytä laitetta paljasjaloin tai avosandaaleissa. Älä käytä löysiä vaatteita tai vaatteita, joista riippuu nuoria tai siteitä.
- Älä käytä löysiä vaatteita tai koruja, jotka saattaisivat imeytyä ilmanottoon. Sido pitkät hiukset hartioiden yläpuolelle, jotta ne eivät pääse tarttumaan liikkuviin osiin.
- Varmista aina ennen käyttöä, että kaikki hallinta- ja turvallisuuslaitteet toimivat asianmukaisesti. Älä käytä tuotetta, jos Off-kytkin ei sammuta moottoria.
- Käytä tuotetta suositellussa asennossa ja vain vakaalla tasapinnalla.
- Älä käytä laitetta päällystetyllä tai sorapinnalla, jossa singonneet materiaalit voivat aiheuttaa loukkaantumisen.
- Tarkista kotelo vaurioiden varalta ennen jokaista käyttökertaa. Varmista, että suojat ja kahvat ovat paikoillaan ja kiinnitetty asianmukaisesti. Vaihda kuluneet tai vioittuneet osat sarjoina säilyttääksesi tasapainon. Vaihda vioittuneet ja lukukelvottomat kyltit.
- Älä koskaan käytä laitetta, jos lähistöllä on ihmisiä, erityisesti lapsia, tai lemmikkejä.
- Pidä kaikki jäähdytysilman ottoaukot puhtaina.
- Irrota puhallettavaksi tarkoitetut roskat haravalla tai luudalla ennen puhaltamisen aloittamista.
- Siivoa työalue ennen jokaista käyttöä. Poista kaikki sellaiset esineet kuten kivet, lasinpalat, naulat, johdot ja langat, jotka voimakas puhallus voi singota pitkiä matkoja.

⚠ VAROITUS

Ennen kuin laitetta voidaan käyttää imuroiminnolla, sen ylempi ja alempi imuputki on koottava yhteen. Tämä täytyy tehdä vain kerran. Älä koskaan käytä imuria pelkällä ylempällä imuputkella. Loukkaantumisen vaara lisääntyy huomattavasti, jos et noudata tätä varoitusta.

AKKUKÄYTTÖISEN TYÖKALUN KÄYTTÖ JA HOITO

- Käytä lataukseen ainoastaan valmistajan suosittelemaa laturia. Yhden tyyppiselle akulle sopivan laturin käyttö toisenlaisen akun kanssa voi olla vaarallista.
- Käytä sähkötyökalua ainoastaan sitä varten suunniteltujen akkujen kanssa. Muiden akkujen käyttö voi johtaa loukkaantumiseen ja tulipaloon.
- Kun akkua ei käytetä, pidä se erillään metalliesineistä, kuten paperiliittimistä, kolikoista, avaimista, nauloista, ruuveista ja muista pienistä metalliesineistä, jotka voivat yhdistää akun navat. Akun napojen oikosulkeminen voi aiheuttaa palovammoja ja tulipalon.
- Jos akkua käsitellään väärin, siitä voi vuotaa nestettä; älä kosketa sitä. Jos kosketat sitä vahingossa, huuhtele se vedellä. Jos nestettä pääsee silmiin, hakeudu lisäksi lääkärin hoitoon. Akusta vuotanut neste voi ärsyttää ihoa ja aiheuttaa palovammoja.
- Vaurioitunutta tai muunneltua akkua tai työkalua ei saa käyttää. Vaurioituneet tai muunnellut akut voivat käyttäytyä odottamattomasti, ja ne voivat johtaa tulipaloon, räjähdykseen, vaaraan tai tapaturmaan.
- Älä altista akkua tai työkalua tulelle tai liian korkealle lämpötilalle. Tulelle tai yli 130°C:n lämpötilalle altistuminen voi johtaa räjähdykseen.
- Noudata kaikkia latausohjeita äläkä lataa akkua tai työkalua muissa kuin ohjeissa määritellyissä lämpötilaolosuhteissa. Virheellinen lataus tai määritellyistä poikkeavat lämpötilat saattavat johtaa akun vaurioitumiseen ja lisätä tulipalon vaaraa.

KÄYTTÖ

- Ennen kuin käynnistät tuotteen, katso syöttökammioon ja varmista, että se on tyhjä.
- Pidä kasvosi ja vartalosi kaukana ottoaukosta.
- Käytä laitetta ainoastaan säädylliseen aikaan – ei aikaisin aamulla tai myöhään yöllä, jolloin se voi häiritä muita.
- Älä koskaan käytä tuotetta räjähdysalttiissa ympäristössä.
- Älä käytä tuotetta huonolla säällä, erityisesti kun on salamien vaara.
- Älä käytä tätä työkalua huonosti valaistussa paikassa. Käyttäjällä on oltava esteetön näkyvyys työalueelle, jotta hän näkee mahdolliset vaaratekijät.
- Samankaltaisten laitteiden käyttö lähetyvillä kasvattaa kuulovaurion riskiä sekä vaaraa, että joku muu tulee työalueellesi.
- Seiso rinteissä aina tukevasti. Kävele, älä koskaan juokse.
- Älä päästä käsiä, muita ruumiinosia tai vaatteita pyörivien syöttökammioon, poistoaukkoon tai liikkuvien osien lähelle.
- Pidä vakaa tasapaino. Älä kurkota liian pitkälle. Liian pitkälle kurkotta minen saattaa johtaa tasapainon menettämiseen.
- Älä koskaan käytä tuotetta, jos suojat tai suojuukset ovat epäkunnossa tai ilman suojalaitteita, kuten roskien kerääjää.
- Älä muunna laitetta millään tavoin tai käytä osia tai lisävarusteita, jotka eivät ole valmistajan suosittelemaa.

⚠ VAROITUS

Jos tuote putoaa, saa kovan iskun tai alkaa tärähtää normaalia enemmän, sammuta se heti ja tarkista se vaurioiden varalta tai paikanna tärinän syy. Valtuutetun huoltopisteen on korjattava tai vaihdettava vioittuneet osat asianmukaisesti.

- Liikkuvien osien kanssa kosketuksiin joutumista seuraavan tapaturmavaaran välttämiseksi tuote on aina pysäytettävä ja akku on poistettava. Varmista, että kaikki liikkuvat osat ovat täysin pysähtyneitä ennen:
 - tuotteen jättäminen valvomatta

- tukosten poistamista tai kourun tukoksen avaamista
- tuotteen tarkastus, puhdistus tai käyttö
- tuotteen tarkastamista, kun siihen on iskenyt vieras esine
- Onnettomuuden tai konevian sattuessa kytkä välittömästi virta pois ja poista akkuyksikkö. Älä käytä laitetta ennen kuin se on perusteellisesti tutkittu valtuutetussa huoltoliikkeessä.

PUHALTIMEN TURVALLISUUSVAROITUKSET

- Käytä pölyisissä paikoissa hengityssuodatinta, jotta pölyn hengittämisen aiheuttamat riskit pienenisivät.
- Jos olosuhteet ovat pölyiset, kostuta pintoja hieman.
- Älä käytä laitetta avoimien ikkunoiden lähellä
- Käytä täyttä puhallinsuuttimen jatkoa, jotta ilmasuihku kohdistuu lähelle maata ja toimii tehokkaasti.
- Älä osoita puhaltimen suutinta ihmisiä tai lemmikkejä kohden.
- Älä koskaan aseta kappaleita puhaltimen putkien sisälle.
- Älä sijoita laitetta irtonaisten roskien päälle tai viereen. Ottoaukkoon saattaa imeytyä roskia, mikä aiheuttaa laitteelle vaurioita.

IMURIN TURVALLISUUSVAROITUKSET

⚠ VAROITUS

Älä koskaan käytä imuria pelkällä ylemmällä imuputkella. Tämän varoituksen laiminlyönti kasvattaa loukkaantumisvaaraa.

HUOMAUTUS: Kun alempi imuputki on irrotettuna, putken sisällä on paljon helpompi ulottua puhaltimen siipeä kohti.

- Älä käytä imuria, jos siihen ei ole asennettu roskapussia. Lentävät roskat voivat aiheuttaa vakavan vamman. Tarkista, että roskankeruupussi on hyvässä kunnossa ja täysin suljettu, ennen kuin käytät laitetta.
- Liikuta laitetta sivulta toiselle roskaista ulkoreunaa pitkin. Vältä tukkeutuminen olematta asettamatta imuputkea suoraan roskakasaan.

- Pitele moottoria imuputken ottopäätä korkeammalla.
- Vältä vakavat vammat ja laitteen vioittuminen olemalla imemättä kiviä, särkynyttä lasia, pulloja ja muita vastaavia kappaleita.
- Vältä tilanteita, joissa roskapussissa voisi syttyä tuli. Älä käytä laitetta avotulen lähellä. Älä imuroi kuumaa tuhkaa takasta, grillistä, nuotiosta tms. Älä imuroi tupakoita tai sikareita, elleivät ne ole täysin jäähtyneet.
- Pidä kaikki ruumiinosat kaukana liikkuvista osista. Pyörivät siipipyörän siivet voivat aiheuttaa vakavia vammoja. Sammuta moottori ja varmista, että siipipyörän siivet ovat lakanneet pyörimästä, ennen kuin avaat imurin luukun tai asennat/vaihdat putken tai avaat tai irrotat roskapussin.
- Kun laitteeseen syötetään ainesta, on varmistettava, ettei se sisällä metallin, kiven, pullojen, purkkien tai muiden vieraiden esineiden palasia.
- Älä anna käsitellyn materiaalin kerääntyä tyhjennysalueelle. Se voi estää kunnollisen tyhjennyksen ja aiheuttaa materiaalin takaisinpotkun ilmanottoaukon kautta.
- Jos laite tukkeutuu, sammuta moottori ja irrota akku ennen roskien poistamista.

LISÄÄ AKUN TURVALLISUUSVAROITUKSIA

⚠ VAROITUS

Jotta vältetään lyhytsulun aiheuttama tulipalon, loukkaantumisen tai tuotteen vahingoittumisen vaara, älä koskaan upota työkalua, vaihtoakkuja tai latauslaitetta nesteeseen ja huolehdi siitä, ettei mitään nesteitä pääse tunkeutumaan laitteiden tai akkujen sisään. Syövyttävät tai sähköä johtavat nesteet, kuten suolavesi, tietyt kemikaalit ja lalkaisuaaineet tai valkaisuaaineita sisältävät tuotteet voivat aiheuttaa lyhytsulun.

KULJETUS JA VARASTOITAESSA

- Sammuta tuote, irrota akku ja anna sen jäähtyä ennen varastointia ja kuljetusta.
- Puhdista laitteesta kaikki vieraat materiaalit. Varastoi laite viileään, kuivaan ja hyvin tuuletettuun paikkaan,

jossa lapset eivät pääse siihen käsiksi. Pidä poissa syövyttäviltä aineilta kuten puutarhakemikaaleilta ja jäänsulatusuolalta. Älä säilytä ulkona.

- Kiinnitä tuote kuljettaessa siten, että se ei pääse liikkumaan tai kaatumaan, jotta välttyä loukkaantumisilta ja vaurioilta.

LITIUMAKKUJEN KULJETTAMINEN

Kuljeta akkuja paikallisten ja kansallisten ehtojen ja säädösten mukaisesti.

Noudata kaikkia pakkaamista ja nimeämistä koskevia erikoissäädöksiä, kun kolmas osapuoli kuljettaa akkuja. Varmista, että mikään akku ei kosketa muita akkuja tai johtavaa materiaalia kuljetuksen aikana suojaamalla paljaat navat eristävillä, johtamattomilla korkeilla tai teipillä. Älä kuljeta akkuja, jotka ovat halkeilleet tai vuotavat. Kysy välitysyriykseltä lisäneuvoja.

HUOLTO

▲ VAROITUS

Käytä ainoastaan alkuperäisiä valmistajan tuottamia varaosia, lisälaitteita ja lisävarusteita. Tämän noudattamatta jättäminen voi johtaa loukkaantumiseen ja huonoon tulokseen ja voi mitätöidä takuun.

▲ VAROITUS

Huolto kaipaa suurta huolellisuutta ja hyvää työkalun tuntemusta: Se on annettava pätevän teknikon tehtäväksi. Kun tuote vaatii huoltoa, vie tuote valtuutettuun huoltoon. Käytä huollossa ainoastaan alkuperäisiä valmistajan tuottamia varaosia.

- Sinulla on lupa suorittaa ainoastaan tässä käsikirjassa kuvattuja säätöjä ja korjauksia. Pyydä apua valtuutetusta huollosta muiden korjaus- tai neuvontarpeiden tapauksessa.
- Puhdista tuote aina käytön jälkeen pehmeällä ja kuivalla liinalla.
- Varmista aina, että ruuvit ja mutterit ovat tiukasti kiinni, jotta tuote olisi aina turvallinen ja käyttövalmis. Valtuutetun huoltopisteen on korjattava tai vaihdettava vioittuneet osat asianmukaisesti.
- Vie tuote valtuutettuun huoltoon vaurioituneiden ja lukukelvottomien kyttien vaihtamiseksi.

TUKOKSEN POISTAMINEN

- Jotta pyörievien osien koskettamisesta aiheutuvan loukkaantumisen vaara olisi pienempi, pysäytä tuote, irrota akku ja varmista, että kaikki liikkuvat osat ovat pysähtyneet.
- Irrota puhallinputket tukosten tarkistamista varten. Puhdista putket tarvittaessa.
- Irrota roskankeruupussi. Tarkista, että pussin sovittimessa ei ole esteitä.
- Tarkista puhallintilan aukko ja roskapussiin johtava putki tukoksen merkkien varalta. Muista, että vaikka akku on irrotettu, puhallin ja silppuriterät voivat liikkua tukoksia poistettaessa. Pidä sormet aina kaukana puhaltimesta ja silppuriteristä.
- Älä yritä irrottaa puhallinta tai silppuriterää. Jos puhallin ja silppuriterä on irrotettava, vie tuote valtuutettuun huoltoon.
- Asenna putket ja roskankeruupussi takaisin paikoilleen, ennen kuin asennat akun ja käynnistät tuotteen.

KÄYTTÖÖN LIITTYVÄT RISKIT

Vaikka tuotetta käytettäisiin ohjeiden mukaisesti, ei ole mahdollista täysin eliminoida tiettyjä käyttöön liittyviä riskitekijöitä. Käytössä voi aiheutua seuraavia vaaroja, ja käyttäjän tulee kiinnittää erityistä huomiota niiden välttämiseen:

- Tärinän aiheuttama vamma
 - Käytä aina työhön sopivaa työkalua, käytä kahvoja ja käytä pienintä työn edellyttävää nopeutta.
- Liian kova melu voi aiheuttaa kuulovamman.
 - Käytä suojalaseja ja rajoita altistumista.
- Puhallinputken ilmavirtauksen lennättämät esineet aiheuttavat vammoja, ellei roskien keruusäkki ole asennettuna tai jos se on vaurioitunut
 - Käytä aina suojalaseja.

RISKIEN VÄHENTÄMINEN

Raporttien mukaan käsikäyttöisten laitteiden tärinä voi joidenkin kohdalla myötävaikuttaa Raynaud's Syndromen (Raynaudin oireen) ilmenemiseen. Oireita ovat pistely, turtuus ja sormien kalpeneminen, yleensä kylmässä ilmassa. Perinnölliset tekijät, kylmyys ja kosteus, ruokavalio, tupakointi sekä työtavat voivat kaikki myötävaikuttaa näiden oireiden ilmenemiseen. Käyttäjää voi ehkäistä tärinän

aiheuttamia vaikutuksia seuraavasti:

- Pidä itsesi lämpimänä kylmällä säällä. Käytä tuotteen käytön aikana käsineitä, jotta kätesi ja ranteesi pysyvät lämpöisinä.
- Harjoita kunkin käyttöjakson jälkeen liikuntaa, jotta verenkierto lisääntyi.
- Pidä työn aikana säännöllisesti taukoja. Rajoita päivittäisen tärinän määrää.

Jos mitään yllä mainittuja oireita ilmenee, lopeta heti laitteen käyttö ja kerro oireista lääkärille.

VAROITUS

Laitteen pitkittynyt käyttö voi aiheuttaa tai vaikeuttaa vammoja. Kun käytät mitä tahansa laitetta pitkiä aikoja, muista pitää säännöllisiä taukoja.

TUNNE TUOTTEESI

Katso sivu 161.

1. Etukädensija
2. Pikavapautuskahva
3. Olkapehmuste
4. Ohjausvipu
5. Turbopainike
6. Kädensija
7. Liipaisin
8. Puhallin/imuritilan valintavipu
9. Pussin sovitin
10. Imurin pussi
11. Alempi puhallinputki
12. Ohjainpyörät
13. Alempi imuputki
14. Ylempi imuputki
15. Lukitusruuvi

TUOTTEESSA OLEVAT SYMBOLIT



Lue ja ymmärrä kaikki ohjeet ennen tuotteen käyttöä ja noudata kaikkia varoituksia ja turvallisuusohjeita.



Varo sinkoutuneita ja muita lentäviä esineitä. Pidä kaikki sivulliset vähintään 15 metrin päässä toiminta-alueelta – erityisesti lapset ja lemmikit.



Pyörivät puhaltimet Pidä kädet ja jalat poissa aukoista tuotteen käydessä.



Käytä kuulosuojaimia



Käytä silmäsuojaimia



Älä altista konetta sateelle tai kosteudelle.



Taattu äänenteho on 99 dB.



Yhteensopiva lisävaruste: RAC364



Irrota akkuyksikkö laitteesta ennen kuin teet siihen mitään toimenpiteitä.



Vedä: Pikavapautuskieleke



Tämä työkalu on sen EU-maan kaikkien sääntömääräisten standardien mukainen, josta se on ostettu.



EurAsian-vaatimustenmukaisuusmerkki



Ukrainalainen säädöstenmukaisuusmerkintä



Käytöstä poistettavia sähkölaitteita ei pidä hävittää talousjätteiden mukana. Ne on mahdollisuuksien mukaan pantava kiertoon. Kierrätysohjeita antavat kunnan viranomaiset ja vähittäiskauppiat.



Puhallintila



Imuritila

TÄMÄN KÄSIKIRJAN SYMBOLIT



Huom



Varoitus



Osat ja lisävarusteet on
hankittava erikseen

Seuraavat signaalisanat ja merkitykset on tarkoitettu selittämään tähän tuotteeseen liittyviä riskin tasoja.

VAARA

Ilmaisee välitöntä vaaratilannetta, joka ellei sitä vältetä, johtaa kuolemaan tai vakavaan loukkaantumiseen.

VAROITUS

Ilmaisee potentiaalisen vaaratilanteen, joka ellei sitä vältetä, johtaa kuolemaan tai vakavaan loukkaantumiseen.

HUOMAUTUS

Ilmaisee potentiaalisen vaaratilanteen, joka ellei sitä vältetä, saattaa johtaa pienempään tai keskivaikeaan loukkaantumiseen.

HUOMAUTUS

Ilman turvallisuusvaroitusymbolia

Ilmoittaa tilanteesta, jossa omaisuutta saattaa vaurioitua.

Sikkerhet, ytelse og driftssikkerhet er gitt topp prioritet i konstruksjonen av din trådløse blåser/støvsuger.

TILTENKT BRUK

Den batteridrevne blåseren/sugeren er kun ment for utendørs bruk med god belysning.

Dette produktet er ikke ment å bli brukt av barn eller personer med nedsatte fysiske, mentale eller sensoriske evner.

Produktet er ment for blåsing og støvsuging av lett smuss blant annet blader, gress og annet hageavfall. Den skal støvsuge og tildekke rester og samle dem opp i en oppsamlingspose.

Produktet er ikke konstruert for å suge inn vann eller andre væsker. Ikke bruk til noe annet formål.

GENERELLE SIKKERHETSADVARSLER

⚠ ADVARSEL

Les alle sikkerhetsadvarslene og alle instruksjonene. Å unnlate å følge advarslene og instruksjonene kan føre til elektrisk støt, brann og alvorlig personskade. Ta vare på disse advarslene og instruksene for å se i dem senere.

⚠ ADVARSEL

Ikke tillat at barn eller personer som ikke er kjent med brukermanualen bruke produktet. Lokale forskrifter kan begrense en alder av operatøren.

OPPLÆRING

- Les instruksjonsmanualen nøye. Gjør deg kjent med styringen og riktig bruk av produktet.
- Husk at operatøren eller brukeren er ansvarlig for uhell og farer som andre personer og deres eiendom får påført.
- Ikke bruk utstyret når du er sliten, syk eller under påvirkning av alkohol, narkotika eller medisiner som kan påvirke reaksjonsevne og dømmekraft.

KLARGJØRING

- Visse regioner har forskrifter som begrenser bruken av produktet til definerte

operasjoner. Spør de lokale myndigheter for råd.

- Bruk alltid full hørselvern når du bruker dette produktet. Denne maskinen er meget støyfull og kan føre til varige hørselskader dersom man ikke bruker hørselvern for å begrense eksponeringen og følger anvisningen om å bruke hørselvern.
- Bruk alltid full øyebeskyttelse når du bruker dette produktet. Produsenten anbefaler sterkt bruk av en full ansiktsmaske eller helt tette vernebriller. Vanlige briller eller solbriller gir ikke tilstrekkelig beskyttelse. Gjenstander kan når som helst bli kastet ut med stor fart av den sterke luftstrømmen og kan sprette tilbake fra harde overflater mot operatøren.
- Når du bruker produktet, ha alltid på gode sko og lange bukser. Ikke bruk maskinen uten sko eller med åpne sandaler. Unngå å bruke klær som er løstsittende eller som har hengende snorer eller belter.
- Ikke bruk løstsittende klær eller smykker som kan bli trukket inn i luftinntakene. Sørg for at langt hår ikke når lenger ned en til skuldrene for å hindre at det kan fanges opp av roterende deler.
- Kontroller før hver bruk at alle styreenheter og sikkerhetsanordninger fungerer som de skal. Ikke bruk dette produktet hvis "av" knappen ikke stanser motoren.
- Bruk produktet kun i anbefalte posisjoner og bare på flate og faste overflater.
- Ikke bruk maskinen på asfaltert eller gruslagt overflate der utkastet materiale kan føre til skade.
- Sjekk alltid produktets ytre for skader før bruk. Sjekk at beskyttelser og håndtak er på plass og festet riktig. Erstatt slitte eller skadede komponenter i sett for å beholde balansen. Erstatt skadede eller uleselige merker/etiketter.
- Ikke bruk maskinen dersom andre personer - og spesielt barn - eller dyr er i nærheten.
- Hold alle luftinntak rene for avfall.
- Bruk rake og kost til å løsne smuss før blåsing.
- Klargjør arbeidsstedet før hver gangs bruk. Fjern alle gjenstander som steiner, knust glass, spiker, wire eller hyssing som kan bli slengt lange avstander med stor fart.

⚠ ADVARSEL

Før bruk av produktet i sugemodus må du sette sammen de øvre og nedre sugetubene. Dette skal kun utføres én gang. Bruk aldri støvsugeren med kun øvre innsugsrør påsatt. Risikoen for personskade øker veldig dersom disse advarslene ikke overholdes.

BATTERIPRODUKTER - BRUK OG STELL

- Lad bare med ladere som er spesifisert av produsenten. En lader som passer til en type batteripakke kan skape risiko for brann dersom den brukes til en annen type batteripakke.
- Bruk patteriprodukter kun med spesielt tiltenkte batteripakker. Bruk av andre batteripakker kan føre til risiko for skade og brann.
- Når batteripakken ikke er i bruk, hold den vekke fra metallgjenstander som binders, mynter, nøkler, spiker, skruer og annet som kan forbinde de to terminalene med hverandre. Kortslutning av batteriterminalene kan føre til brenning eller brann.
- Dersom batteriet misbrukes kan det slippe ut væske, unngå hudkontakt med væsken. Hvis du får kontakt med væsken fra batteriet, skylld med rikelige mengder vann. Hvis væsken får kontakt med øynene må det søkes medisinsk hjelp. Væske som kommer ut av batteriet kan føre til irritasjon eller brannskade.
- Ikke bruk et batteri eller verktøy som er skadet eller endret. Batterier som er skadd eller endret, kan oppføre seg uforutsigbart, noe som kan føre til brann, eksplosjon og personskade.
- Ikke utsett batteriet eller verktøyet for ild eller høy temperatur. Eksponering for brann eller høy temperatur over 130°C kan føre til eksplosjon.
- Alle ladeinstruksjoner må følges. Ikke lad batteriet eller verktøyet hvis omgivelsestemperaturen er utenfor området som er angitt i bruksanvisningen. Feil lading eller lading ved temperaturer utenfor det angitte området kan ødelegge batteriet og øke risikoen for brann.

BETJENING

- Før produktet startes må det påses at matekammeret er tomt.
- Hold ansikt og andre kroppsdeler vekk fra mateåpningen.
- Bruk maskinen kun til akseptable døgtider - ikke tidlig på morgenen eller sent på natten når folk kan føle seg forstyrret.
- Du må aldri bruke produktet i eksplosive omgivelser.
- Unngå å bruke produktet under dårlige værforhold, spesielt når det er fare for lynnedslag.
- Ikke bruk i dårlig lys. Operatøren må ha klar sikt over arbeidsfeltet for å identifisere potensielle farer.
- Bruk av lignende utstyr i nærheten øker faren for både hørselskade og muligheten for at andre kommer inn i din arbeidssone.
- Sørg for å ha godt fotfeste i skråninger. Gå, du må aldri løpe mens du arbeider med maskinen.
- Ikke la hender eller noen annen del av kroppen eller klær komme inn i matekammeret, utkastkurven eller i kontakt med noen bevegelig del.
- Ha god fotfeste og ballanse til enhver tid. Ikke len deg for langt. Hvis du lener deg for langt, kan du miste balansen.
- Du må aldri bruke produktet med ødelagte vern eller beskyttelser eller uten sikkerhetsanordninger, for eksempel hvis avfallsoppamleren ikke er på plass.
- Du må ikke endre maskinen på noe måte eller bruke deler og tilbehør som ikke er anbefalt brukt av produsenten.

⚠ ADVARSEL

Dersom produktet faller i bakken, får et sterkt slag eller starter å vibrere unormalt, stans produktet omgående og sjekk for skader eller finn ut hva som er årsaken for vibrasjonene. Enhver skade må reparere helt eller delen skiftes av et autorisert serviceverksted.

- Stopp alltid produktet og ta ut batteriet for å redusere risikoen for personskade som skyldes kontakt med roterende deler. Sørg for at alle bevegelige deler har stoppet helt før du gjør følgende:



- etterlater produktet uten tilsyn
- fjern blokkeringer og rens rennen
- kontrollerer gressklipperen eller rengjør den eller arbeider på den
- inspiser produktet dersom du har kommet borti et fremmed objekt
- Hvis det skjer en ulykke eller maskinskade, må redskapen straks slås av og batteripakken tas ut. Ikke bruk redskapen igjen før den er nøye kontrollert av et autorisert servicesenter.

BLÅSER SIKKERHETSADVARSLER

- Bruk ansiktsmaske med filter ved arbeid i støvete miljøer for å redusere risikoen for skader som følge av innånding av støv.
- Fukt overflatene lett dersom det er støvete omgivelser.
- Ikke bruk maskinen i nærheten av åpne vinduer.
- Bruk hele blåserdyseforlengeren slik at luftstrømmen kan arbeide nær bakken og dermed virke på en effektiv måte.
- Ikke rett blåsemunnstykket mot mennesker eller dyr.
- Sett aldri gjenstander inni blåserørene.
- Plasser ikke produktet på toppen av, eller i nærheten av, løst avfall. Smuss kan bli sugd inn i inntaksventilene, noe som kan føre til skader på produktet.

STØVSUGER SIKKERHETSADVARSLER

⚠ ADVARSEL

Bruk aldri støvsugeren med kun øvre innsugsrør påsatt. Hvis denne advarselen ikke følges, øker det faren for alvorlig personskade.

MERK: Uten den nedre sugetuben er det mye lettere å nå opp i tuben mot viftebladet.

- Ikke bruk støvsugeren uten at støvposen er satt på. Smuss som slenges ut kan forårsake alvorlige personskader. Påse at oppsamlingsposen for avfall er i god stand og helt lukket før den tas i bruk.
- Beveg produktet fra side til side langs den ytre siden av avfallet. For å unngå tiltetting, ikke sett støvsugerrøret direkte i avfallshaugen.

- Hold motoren høyere enn inntaksenden på støvsugingsrøret.
- For å unngå alvorlige personskader hos operatøren eller skader på produktet, må du ikke forsøke å støvsuge steiner, knust glass, flasker eller andre lignende gjenstander.
- Unngå situasjoner som kan føre til brann i støvposen. Ikke bruk enheten nær åpen flamme. Ikke sug opp aske fra et varmt ildsted, grillsted, kratt, etc. Ikke sug opp sigar- og sigarettstumper dersom ikke asken er helt kald.
- Hold alle deler av kroppen vekk fra bevegelige deler. Bladene i roterende løpehjul kan skape alvorlig personskade. Stans motoren og forsikre deg om at impellerbladene har stanset før du åpner støvsugerdekselet, setter på/bytter rør, åpner eller fjerner søppelposen.
- Ved foring av materiale inn i produktet må du forsikre deg om at biter av metall, stein, flasker, brusbokser eller andre fremmedobjekter ikke slippes inn.
- La ikke behandlet materiale samles opp i utløpssonen. Dette kan blokkere utløp og kan resultere i tilbakeslag av materiale gjennom inntaksåpningen.
- Dersom produktet blir tett, stopp motoren og fjern batteripakken før fjerning av avfall.

EKSTRA ADVARSLER FOR BATTERISIKKERHET

⚠ ADVARSEL

For å unngå fare for en brann forårsaket av en kortslutning, av personskader eller skader av produktet, må det forhindres at batteripakken eller laderen dypes i væsker og også sørges for at ingen væsker kan komme inn i apparatene eller batteriene. Korroderende og ledende væsker som saltvann, visse kjemikalier og blekemidler eller produkt som inneholder blekemidler kan forårsake en kortslutning.

TRANSPORT OG LAGRING

- Slå av produktet og la det kjøles ned før lagring eller transport.
- Fjern alle fremmedelementer fra produktet. Lagres på et kjølig, tørt og godt ventilert



sted som er utilgjengelig for barn. Hold den borte fra korrosive materialer, så som ugressmidler og veisalt. Ikke oppbevar utendørs.

- Ved transport må produktet sikres mot å komme i bevegelse eller falle for å unngå skade på personer eller produktet.

TRANSPORTERE LITUM-BATTERIER

Transporter batterier i henhold til lokale og nasjonale lover og forskrifter.

Følg alle spesialkrav med hensyn til emballering og merking når batterier transporteres av en tredjepart. Påse at ingen batterier kan komme i kontakt med andre batterier eller ledende materialer under transporten ved å beskytte åpne kontakter med isolasjon, ikkeledende lokk eller tape. Ikke transporter batterier som er sprukne eller som lekker. Kontakt speditøren for å få ytterligere råd.

VEDLIKEHOLD

⚠ ADVARSEL

Bruk kun produsentens originale reservedeler, tilleggsutstyr og påsatser. Dersom dette ikke følges, kan det forårsake personskader, dårlig funksjon og kan annullere garantien din.

⚠ ADVARSEL

Service krever meget stor forsiktighet og kunnskap og bør utføres kun av kvalifisert teknisk personale. For service skal produktet leveres til et autorisert serviceverksted. For service av maskinen, bruk kun produsentens originale reservedeler.

- Ikke utføre justeringer eller reparasjoner som ikke er beskrevet i denne bruksanvisningen. For andre typer reparasjoner eller råd anbefales det å kontakte et autorisert servicesenter.
- Etter hver bruk, rens produktet med en myk tørr klut.
- Kontroller all mutter, bolter og skruer med jevne mellomrom at de er skrudd fast for å sikre at produktet er i driftssikker stand. Enhver del som er skadet må repareres eller skiftes ut ved et autorisert serviceverksted.

- Bring produktet til et autorisert servicesenter for utskifting av skadede eller uleselige etiketter.

FJERNING AV EN BLOKKERING

- Stopp alltid maskinen, fjern batteripakken og påse at alle bevegelige deler har stanset helt for å redusere risikoen for skade som følge av kontakt med roterende deler.
- Fjern blåserrørene for å se etter blokkering. Rengjør om nødvendige rørene.
- Fjern oppsamlingsposen for avfall. Sjekk at tilkoplingen til oppsamlerposen ikke har hindringer.
- Inspiser åpningen til vifteavlukket og røret inn i oppsamlerposen for å påse at det ikke finnes tegn på blokkeringer. Husk, at selv om batteriet er fjernet vil vil viften og finklipperbladene kunne bevege seg når blokkeringene fjernes. Hold til enhver tid fingrene vekke fra viften og finklipperbladene.
- Ikke gjør forsøk på å fjerne viften og finklipperbladene. Hvis det er nødvendig å fjerne viften eller finklipperbladene må produktet bringes til et autorisert servicesenter.
- Sett tilbake rørene og oppsamlerposen før batteripakken settes tilbake på plass og produktet startes.

GJENVÆRENDE RISIKO

Selv om utstyret brukes som beskrevet er det ikke mulig å unngå enhver gjenværende risiko. Følgende faresituasjoner kan oppstå ved bruk, og operatøren må legge spesielt vekt på å unngå følgende:

- Personskade på grunn av vibrasjon
 - Bruk alltid rett verktøy for jobben, bruk tiltenkte håndtak og lavest mulig hastighet for må få jobben gjort.
- Eksponering for støy kan føre til hørselskader.
 - Bruk hørselvern og begrense eksponeringen.
- Skade fra flygende objekter fra blåsetubens luftstrøm hvis avfallsposen ikke er tilpasset eller er ødelagt
 - Bruk til enhver tid øyebeskyttelse.

FAREREDUKSJON

Det foreligger rapporter om at vibrasjoner fra håndholdt verktøy for enkelte personer kan bidra til en tilstand som kalles Raynauds Syndrome. Symptomene kan omfatte følelsesløshet og gjøre fingrene bleke, vanligvis synlig ved eksponering til lave temperaturer. Arvelige faktorer, eksponering mot lave temperaturer og fuktighet, diett, røyking og arbeidspraksis blir alle ansett for å kunne bidra til å utvikle disse symptomene. Brukeren kan iverksette tiltak for mulig å redusere virkningene av vibrasjonene:

- Hold kroppen din varm i kaldt vær. Bruk hansker og hold hender og håndledd varme ved bruk av produktet.
- Etter hver arbeidsperiode bør det utføres øvelser for å øke blodsirkulasjonen.
- Ta ofte pauser fra arbeidet som utføres. Begrens mengden av eksponering pr. dag.

Hvis du opplever noen av symptomene på denne tilstanden må du øyeblikkelig avbryte arbeidet og oppsøke en lege med disse symptomene.

⚠ ADVARSEL

Hvis man bruker verktøyet for lenge av gangen, kan det føre til eller forverre allerede eksisterende personskade. Når du bruker et verktøy over en lenger tidsperiode, husk å ta regelmessige pauser.

KJENN PRODUKTET DITT

Se side 161.

1. Fremre håndtak
2. Hurtigutløsningshåndtak
3. Skulderpute
4. Cruisekontrollspak
5. Turboknapp
6. Håndtak
7. Avtrekker
8. Velgerspak blåser-/støvsugingsmodus
9. Bagadapter
10. Støvsugingsbag
11. Nedre rør
12. Løpehjul
13. Nedre støvsugingsrør
14. Øvre støvsugingsrør
15. Låsegjenge

SYMBOLER PÅ PRODUKTET



Les og forstå alle instruksjoner før du tar i bruk produktet, følg alle advarsler og sikkerhetsanvisninger.



Vær oppmerksom på utkastede eller flygende gjenstander. Hold tilskuere, spesielt barn og dyr, på god avstand, det vil si minst 15 meter fra arbeidsområdet



Roterende vifter. Hold hender og føtter unna åpninger mens produktet er i gang.



Bruk hørselsvern



Bruk øyebeskyttelse



Ikke utsette for regn eller fuktige forhold.



Garantert lydnivå er 99 dB



Kompatibelt tilbehør: RAC364



Fjern batteripakken før du starter arbeid på produktet.



Trekk: Hurtigutløserflik



Dette verktøyet overholder samtlige standarder i det EU-landet det er kjøpt i.



EurAsian Konformitetstegn



Ukrainsk merke for konformitet



Avfall fra elektriske produkter skal ikke kastes sammen med husholdningsavfall. Vennligst resirkulervedeksisterende avfallsbehandlingssted. Undersøk hos dine lokale myndigheter eller forhandler for råd om resirkulering.



Blåsemodus



Støvsugingsmodus

SYMBOLER I DENNE MANUALEN



Nb



Advarsel



Deler eller tilbehør solgt separat

Følgende symboler og betydninger forklarer risikonivået som er assosiert med dette produktet.

⚠ FARE

Indikerer en øyeblikkelig farlig situasjon, som, hvis ikke unngås, kan resultere i død eller alvorlig personskade.

⚠ ADVARSEL

Indikerer en potensiell farlig situasjon, som, hvis ikke unngås, kan resultere i død eller alvorlig personskade.

⚠ FORSIKTIGHETSREGEL

Indikerer en potensiell farlig situasjon, som, hvis ikke unngås, kan resultere i mindre eller moderat personskade.

FORSIKTIGHETSREGEL

Uten sikkerhetsvarselsymbol

Indikerer en situasjon som kan føre til skade på eiendom.

При разработке этой беспроводной воздуходувки/пылесоса особое внимание уделялось безопасности, производительности и надежности.

НАЗНАЧЕНИЕ

Беспроводная воздуходувка/пылесос предназначена только для использования на открытом воздухе в сухом и хорошо освещенном месте.

Данное устройство не предназначено для использования детьми или лицами с ограниченными физическими, психическими или сенсорными возможностями.

Изделие предназначено для сдувания и всасывания мелкого мусора, в том числе листьев, травы и тому подобных предметов. Она предназначена для всасывания и мульчирования мусора и складывания его в мешок для мусора.

Изделие не предназначено для всасывания воды и других жидкостей. Не используйте устройство для каких-либо иных целей.

ОБЩИЕ ПРАВИЛА БЕЗОПАСНОСТИ

▲ ОСТОРОЖНО

Прочтите все предупреждения и инструкции по технике безопасности. Несоблюдение приводимых ниже предупреждений и инструкций может привести к поражению электрическим током, возгоранию или тяжким телесным повреждениям. Сохраните все предупреждения и инструкции по технике безопасности для последующего использования.

▲ ОСТОРОЖНО

Никогда не позволяйте детям или людям, незнакомым с этими инструкциями, использовать данное изделие. Местные инструкции могут ограничить возраст оператора.

ОБУЧЕНИЕ

■ Внимательно прочтите данные инструкции. Ознакомьтесь с элементами управления и правильным использованием устройства.

- Иметь в виду, что оператор или пользователь ответственны за несчастные случаи или опасности, встречающиеся другим людям или их собственности.
- Не работайте с изделием, если вы утомлены, больны, находитесь в состоянии алкогольного, наркотического опьянения или под воздействием лекарственных средств.

ПОДГОТОВКА

- В некоторых регионах существуют ограничения на использование некоторых операций с данным устройством. Проконсультируйтесь с местными органами власти.
- Обязательно носите специальные устройства для защиты слуха. Данное устройство сильно шумит, и длительное воздействие шума может привести к повреждению слуха, если не принимать меры предосторожности по ограничению времени воздействия шума, снижению уровня шума и защите органов слуха.
- Обязательно носите специальные устройства защиты зрения. Производитель настоятельно рекомендует носить шлем-маску или защитные очки закрытого типа. Обычные очки или солнцезащитные очки не являются надлежащей защитой. Мощная струя воздуха может привести к быстрому отлетанию посторонних предметов и их отскоку от твердых поверхностей в сторону оператора.
- Во время эксплуатации изделия всегда носите специальную обувь и длинные брюки. Не работайте с инструментом босиком или в открытых сандалиях. Не надевайте свободную одежду или одежду со свисающими шнурками или узлами.
- Не носите просторную одежду или ювелирные украшения, которые могут затянуться в воздухозаборное отверстие. Соберите длинные волосы выше плеч, чтобы предотвратить их попадание в движущиеся части.
- Убедитесь перед каждым использованием, что все элементы управления и предохранительные устройства функционируют правильно.

- EN
- FR
- DE
- ES
- IT
- NL
- PT
- DA
- SV
- FI
- NO
- RU**
- PL
- CS
- HU
- RO
- LV
- LT
- ET
- HR
- SL
- SK
- BG
- UK
- TR

Не используйте устройство, если невозможно остановить двигатель выключателем.

- Работайте с устройством, занимая рекомендуемое положение и только на твердой, ровной поверхности.
 - Не работайте с инструментом на мощной или покрытой гравием поверхности, так как при этом выбрасываемый материал может привести к телесным повреждениям.
 - Проверяйте корпус изделия на предмет повреждений перед каждым использованием. Убедитесь в том, что защитные приспособления и ручки находятся на месте и надежно закреплены. Замените изношенные или поврежденные, чтобы обеспечить балансировку. Замените поврежденные или нечитаемые наклейки.
 - Не работайте с устройством, если рядом присутствуют посторонние лица, особенно дети, а также домашние животные.
 - Очищайте от мусора вентиляционные отверстия для охлаждения двигателя.
 - Перед использованием удалите мусор с помощью граблей или метлы.
 - Перед каждым использованием проверяйте рабочую зону. Уберите такие объекты, как камни, осколки стекла, гвозди, провода или шнуры, которые могут далеко отлететь под воздействием быстрого потока воздуха.
- указанного изготовителем. Зарядное устройство, подходящее к одному типу аккумуляторных батарей, может создать опасность возгорания при использовании с аккумуляторными батареями другого типа.
 - Используйте электрические устройства только со специально предназначенными для них аккумуляторными батареями. Использование аккумуляторных батарей другого типа может привести к телесным повреждениям или возгоранию.
 - Если аккумуляторная батарея не используется, храните ее отдельно от других металлических предметов, например канцелярских скрепок, монет, ключей, гвоздей, винтов и других мелких металлических предметов, которые могут привести к замыканию контактов батареи. Замыкание контактов батареи может вызвать ожоги или привести к возгоранию.
 - При ненормальных условиях из батареи может вытечь жидкость, избегайте контакта с ней. Если этого избежать не удалось, смойте жидкость водой. Если жидкость попала в глаза, после их промывания обратитесь за медицинской помощью. Жидкость, вытекающая из батареи, может вызвать раздражение или ожог.
 - Не используйте поврежденный или модифицированный аккумуляторный блок и инструмент. Поврежденные или модифицированные аккумуляторы могут вести себя непредсказуемо, что может привести к пожару, взрыву или послужить причиной травмы.
 - Не подвергайте аккумуляторный блок и инструмент воздействию огня и высокой температуры. Воздействие огня или температуры выше 130°C может привести к взрыву.
 - Заряжайте аккумуляторные блоки и инструмент в соответствии с инструкцией, не подвергая их при этом воздействию температур вне диапазона, указанного в инструкции. Несоблюдение инструкций и зарядка при воздействии температур вне диапазона, указанного в инструкции, может привести к повреждению аккумулятора и повысить риск возгорания.

▲ ОСТОРОЖНО

Перед использованием изделия в режиме пылесоса необходимо соединить верхнюю и нижнюю трубы пылесоса. Предназначено только для одноразового применения. Никогда не включайте пылесос, если установлена одна только верхняя всасывающая трубка. Опасность получения травмы значительно возрастает, если вы не будете соблюдать это предупреждение.

ЭКСПЛУАТАЦИЯ УСТРОЙСТВА С АККУМУЛЯТОРНЫМ ПИТАНИЕМ И УХОД ЗА НИМ

- Зарядку выполняйте только с использованием зарядного устройства,

ЭКСПЛУАТАЦИЯ

- Перед запуском изделия убедитесь, что питающая камера пуста.
- Держите лицо и тело в стороне от входного отверстия.
- Используйте устройство только в рабочее время, а не рано утром или поздно вечером, когда это может мешать окружающим.
- Никогда не используйте изделие во взрывоопасной атмосфере.
- Избегайте использования устройства в плохих погодных условиях, особенно когда существует риск попадания молнии.
- Не работайте при недостаточном освещении. Оператор должен четко видеть рабочую зону в целях выявления потенциальных опасностей.
- Эксплуатация аналогичных устройств вблизи рабочей зоны повышает риск повреждения слуха и опасность появления посторонних лиц в вашей рабочей зоне.
- Обеспечьте устойчивость ног при работе на склонах. Передвигайтесь шагом, не бегайте.
- Не допускайте попадания рук и других частей тела или одежды в загрузочную камеру, выпускной лоток или в зону других движущихся частей.
- Держать устойчивую опору и баланс. Не перенапрягать. Перенапряжение может кончатся потерей баланса.
- Запрещается эксплуатация продукта с неисправными защитными устройствами или щитками, а также без предохранительных устройств, например, без установленного мусоросборника.
- Запрещается каким-либо образом изменять конструкцию устройства или использования детали и принадлежности, не рекомендованные производителем.

⚠ ОСТОРОЖНО

Если устройство уронили, оно издает громкий стук или начинает чрезмерно вибрировать, немедленно остановите его и проверьте на наличие повреждений или выясните причину вибрации. Любые поврежденные детали должны быть надлежащим образом отремонтированы или заменены в авторизованном сервисном центре.

- Всегда выключайте инструмент и извлекайте аккумуляторный блок, чтобы исключить риск травмы при контакте с движущимися деталями. Убедитесь в том, что все подвижные детали полностью остановились перед:
 - Оставление изделия без присмотра
 - очисткой засоров
 - очисткой, осмотром и работой с инструментом
 - осмотром инструмента после удара о какой-либо предмет
- В случае аварии или поломки немедленно выключите двигатель и снимите аккумуляторную батарею. Не используйте устройство, обратитесь в гарантийное обслуживание для дальнейшей проверки.

ПРЕДОСТЕРЕЖЕНИЯ ОТНОСИТЕЛЬНО БЕЗОПАСНОГО ПОЛЬЗОВАНИЯ ВОЗДУХОДУВКОЙ

- Для снижения опасности травмирования, связанного с вдыханием пыли при повышенной запыленности, надевайте на лицо защитную маску.
- Слегка смочите поверхности в условиях сильной запыленности.
- Не работайте с устройством вблизи открытых окон.
- Используйте дополнительную насадку воздуходувки, чтобы поток воздуха был близко к земле для максимальной эффективности.
- Не направляйте выходное отверстие в режиме выдувания на людей или домашних животных.
- Не допускайте попадания посторонних предметов в трубки воздуходувки.
- Не помещайте инструмент на сыпучий

мусор или рядом с ним. Мусор может затянуться в воздухозаборник и привести к повреждению устройства.

ПРЕДОСТЕРЕЖЕНИЯ ОТНОСИТЕЛЬНО БЕЗОПАСНОГО ПОЛЬЗОВАНИЯ ПЫЛЕСОСОМ

▲ ОСТОРОЖНО

Никогда не включайте пылесос, если установлена одна только верхняя всасывающая трубка. Несоблюдение этого предупреждения повышает опасность получения травмы.

ПРИМЕЧАНИЕ: Без установленной нижней трубы пылесоса намного легче добраться по внутренней части трубы к лопасти вентилятора.

- Не используйте пылесос без мусоросборного мешка. Летящий мусор может стать причиной серьезных травм. Убедитесь, что мусоросборный мешок в надлежащем состоянии и полностью закрыт до начала работы.
- Передвигайте инструмент из стороны в сторону по внешнему краю мусора. Чтобы избежать засорения, не помещайте всасывающую трубку прямо в кучу мусора.
- Держите двигатель выше, чем впускной конец трубки всасывания.
- Во избежание серьезной травмы оператора или повреждения устройства не убирать пылесосом камни, битое стекло, бутылки и тому подобные объекты.
- Не допускайте ситуаций, которые могут привести к возгоранию в мусоросборном мешке. Не работайте рядом с открытым огнем. Не очищайте всасыванием горячие кострища, ямы для барбекю, обожженные кусты и т.п., пока пепел окончательно не остынет. Не засасывайте брошенные окурки сигар или сигарет.
- Не допускайте попадания частей тела в движущиеся детали. Вращающиеся лопасти крыльчатки могут стать причиной тяжелой травмы. Остановите двигатель и убедитесь, что вращающиеся лопасти остановились, прежде чем открывать

дверцу пылесоса, устанавливать/менять трубки, открывать или снимать мешок для мусора.

- При подаче материала в инструмент следите за тем, чтобы там не было металлических предметов, камней, бутылок, жестяных банок и других посторонних предметов.
- Следите за тем, чтобы обработанный материал не забивал зону выброса. Это может помешать правильному сбросу отработанного материала и вызвать обратный выброс всасываемого материала.
- При образовании засора перед тем, как его прочистить выключите двигатель и снимите аккумуляторную батарею.

ТРЕБОВАНИЯ БЕЗОПАСНОСТИ ПРИ ИСПОЛЬЗОВАНИИ ДОПОЛНИТЕЛЬНОЙ АККУМУЛЯТОРНОЙ БАТАРЕИ

▲ ОСТОРОЖНО

Для предотвращения опасности пожара в результате короткого замыкания, травм и повреждения изделия не опускайте инструмент, сменный аккумулятор или зарядное устройство в жидкости и не допускайте попадания жидкостей внутрь устройств или аккумуляторов. Коррозионные и проводящие жидкости, такие как соленый раствор, определенные химикаты, отбеливающие средства или содержащие их продукты, могут привести к короткому замыканию.

ТРАНСПОРТИРОВКА И ХРАНЕНИЕ

- Остановите устройство, извлеките батарею и дайте им остыть перед постановкой на хранение или транспортировкой.
- Очистите устройство от всех посторонних материалов. Храните его в прохладном, сухом, хорошо проветриваемом и недоступном для детей месте. Не держите бензопилу рядом с коррозионными веществами, такими как садовые химикаты или размораживающая соль. Не храните на открытом воздухе.
- Для транспортировки закрепите изделие так, чтобы оно не могло перемещаться

или упасть во избежание травмирования персонала или повреждения изделия.

ПЕРЕВОЗКА ЛИТИЕВЫХ БАТАРЕЙ

Транспортировку батареи осуществляйте в соответствии местными и национальными нормами и положениями.

Следуйте всем особым требованиям к упаковке и маркировке при транспортировке батареи в сторонние организации. Проверьте, чтобы батарея не соприкасалась с другими батареями или токопроводящими материалами во время транспортировки, защитив открытые контакты с помощью изоляции, непроводящих колпачков или пленки. Не транспортируйте поврежденные или протекающие батареи. За консультацией обращайтесь в транспортно-экспедиционную компанию.

ТЕХНИЧЕСКОЕ ОБСЛУЖИВАНИЕ

▲ ОСТОРОЖНО

Используйте только оригинальные запчасти, аксессуары и насадки от производителя. Невыполнение этого требования может привести к травме, к снижению производительности и к аннулированию гарантии.

▲ ОСТОРОЖНО

Обслуживание требует чрезвычайной заботы и знания и должно быть выполнено только квалифицированным техником обслуживания. Обратитесь в авторизованный сервисный центр для техобслуживания. При выполнении технического обслуживания используйте только оригинальные запчасти от производителя.

- Не выполняйте работ по регулировке и ремонту, не описанных в данном руководстве. Для проведения других ремонтных работ или за получением рекомендаций обращайтесь в авторизованный сервисный центр.
- После каждого использования протирайте изделие мягкой сухой тканью.
- Проверить все болты, задвижки, и

винты, через короткие интервалы, на надлежащую плотность, чтобы убедиться, что изделие находится в безопасном, рабочем состоянии. В случае повреждения какой-либо детали необходимо обратиться в авторизованный сервисный центр для выполнения надлежащего ремонта или замены.

- Обратитесь в авторизованный сервисный центр для замены поврежденных или нечитаемых этикеток изделия.

ОЧИСТКА ЗАСОРЕНИЯ

- Чтобы уменьшить риск травм, связанных с контактом с вращающимися деталями, всегда останавливайте прибор, снимайте батареи, проверяйте, чтобы все движущиеся части остановили движение.
- Отсоедините воздушные трубки и осмотрите их на предмет засорения. Очистите трубки, если необходимо.
- Снимите мусоросборный мешок. Убедитесь, что адаптер мешка не засорен.
- Осмотрите отверстие в корпусе вентилятора и трубки по всей длине, чтобы проверить, не засорены ли они. Помните, что даже если батарея была извлечена, крыльчатка и мульчирующие лезвия могут двигаться во время очистки засорения. Не допускайте попадания пальцев в зону вращения крыльчатки и мульчирующих лезвий.
- Не пытайтесь снимать крыльчатку или мульчирующее лезвие. Если необходимо снять крыльчатку или мульчирующее лезвие, обратитесь в авторизованный сервисный центр.
- Установите трубки и мусоросборный мешок на место перед установкой батареи и запуском изделия.

БУДЬТЕ ВСЕГДА ОСТОРОЖНЫ

Даже когда изделие используют согласно инструкциям, невозможно полностью устранить факторы риска. При эксплуатации могут возникнуть следующие ситуации, которым пользователь должен уделять особое внимание, чтобы избежать проблем:

- Травмы, вызываемые вибрацией
 - Применяйте инструмент только по своему назначению, используйте надлежащие ручки и соблюдайте рабочий режим.
- Воздействие шума может привести к повреждению слуха.
 - Носите устройства защиты слуха и ограничивайте продолжительность шумового воздействия.
- Травма от разлетающихся частиц, вызванных потоком воздуха из трубки воздухоудвки, если мешок для сбора мусора не установлен или поврежден
 - Обязательно носите устройства для защиты глаз.

СНИЖЕНИЕ РИСКА

Считается, что вибрация ручного инструмента может привести к проявлению у отдельных лиц так называемой болезни Рейно (Raynaud's Syndrome). К симптомам могут относиться покалывание, онемение и побеление пальцев (как при переохлаждении). Считают, что наследственные факторы, охлаждение и влажность, диета, курение и практический опыт способствуют развитию этих симптомов. Ниже приводятся меры, которые может принять оператор для снижения воздействия вибрации:

- Одевайтесь теплее в холодную погоду. При эксплуатации изделия носите перчатки, чтобы сохранить руки и запястья в тепле.
- После каждого этапа работы выполните упражнения для усиления кровообращения.
- Чаще делайте перерывы в работе. Сократите длительность ежедневного пребывания на открытом воздухе.

При появлении каких-либо из указанных симптомов сразу же прекратите работу и обратитесь по их поводу к врачу.

⚠ ОСТОРОЖНО

Слишком продолжительное использование инструмента может привести к травме. При использовании инструмента в течение длительного времени делайте регулярные перерывы.

ИЗУЧИТЕ УСТРОЙСТВО

См. стр. 161.

1. Передняя ручка
2. Рукоять быстрого отсоединения
3. Плечевая накладка
4. Рычаг стабилизатора скорости
5. Кнопка Турбо
6. Рукоятка
7. Курковый выключатель
8. Рычаг выбора режима воздухоудвки/вылесоса
9. Адаптер мешка
10. Мешок пылесоса
11. Нижняя трубка воздухоудвки
12. Направляющие колеса
13. Нижняя трубка всасывания
14. Верхняя трубка всасывания
15. Блокировочная резьба

УСЛОВНЫЕ ОБОЗНАЧЕНИЯ НА ПРОДУКТЕ



Внимательно прочитайте все инструкции перед началом работы с продуктом, соблюдайте все предупреждения и инструкции по безопасности.

Помните об опасности, которую представляют собой отбрасываемые устройством или вылетающие из-под него предметы. Не допускайте приближения посторонних лиц, особенно детей и домашних животных к рабочей зоне ближе чем на 15 м



Вращающиеся вентиляторы. Не приближайтесь к отверстиям во время работы устройства.



Следует надевать средства защиты органов слуха



Используйте средства защиты органов зрения



Не подвергайте инструмент воздействию дождя и не используйте в условиях повышенной влажности.



Гарантированный уровень звуковой мощности 99 дБ



Совместимая принадлежность: RAC364



Перед запуском и использованием изделия извлеките аккумуляторный блок.



Тянуть: Защелка быстрого отсоединения



Настоящий инструмент отвечает всем официальным стандартам страны ЕС, в которой он был приобретен. Знак Евразийского Соответствия Сертификат Соответствия № TC RU C-DE. AE61.B.10294 Срок действия Сертификата Соответствия По 24.10.2022 АНО экспертизы и контроля качества - Центр сертификации «Евро-Тест» 109147, Россия, город Москва, улица Малая Калитниковская, дом 7



Украинский знак стандартизации



Отработанная электротехническая продукция должна уничтожаться вместе с бытовыми отходами. Утилизируйте, если имеется специальное техническое оборудование. По вопросам утилизации проконсультируйтесь с местным органом власти или предприятием розничной торговли.



Режим воздуходувки



Режим всасывания

УСЛОВНЫЕ ОБОЗНАЧЕНИЯ В ДАННОМ РУКОВОДСТВЕ



Примечание



Осторожно



Детали или принадлежности, приобретаемые отдельно

Следующие сигнальные слова и значения предназначены, чтобы объяснить уровни риска, связанного с этим изделием.

⚠ ОПАСНО

Указывает неизбежно опасную ситуацию, которая, если не избежать, кончится смертельным или серьезным ущербом.

⚠ ОСТОРОЖНО

Указывает потенциально опасную ситуацию, которая, если не избежать, может кончиться смертельным или серьезным ущербом.

⚠ ПРЕДОСТЕРЕЖЕНИЕ

Указывает потенциально опасную ситуацию, которая, если не избежать, может кончиться малым или уменьшенным ущербом.

ПРЕДОСТЕРЕЖЕНИЕ

Употребляется без предупреждающего знака

Указывает на ситуацию, которая может привести к повреждению имущества.

ТРАНСПОРТИРОВКА:

Категорически не допускается падение и любые механические воздействия на упаковку при транспортировке.

При разгрузке/погрузке не допускается использование любого вида техники, работающей по принципу зажима упаковки.

ХРАНЕНИЕ:

Необходимо хранить в сухом месте.

Необходимо хранить вдали от источников повышенных температур и воздействия солнечных лучей.

При хранении необходимо избегать резкого перепада температур.

Хранение без упаковки не допускается.

СРОК СЛУЖБЫ ИЗДЕЛИЯ:

Срок службы изделия составляет 5 лет.

Не рекомендуется к эксплуатации по истечении 5 лет хранения с даты изготовления без предварительной проверки.

Дата изготовления (код даты) отштампован на поверхности корпуса изделия.

Пример:

W17 Y2015, где Y2015 - год изготовления

W17 – неделя изготовления

Определить месяц изготовления можно согласно приведенной ниже таблице, на примере 2015 года.

Обратите внимание! Количество недель в месяце различается от года в год.

Месяц	Январь	Февраль	Март	Апрель	Май	Июнь	Июль	Август	Сентябрь	Октябрь	Ноябрь	Декабрь	Год
Неделя	01	05	09	14	18	22	27	31	36	40	44	49	2015
	02	06	10	15	19	23	28	32	37	41	45	50	
	03	07	11	16	20	24	29	33	38	42	46	51	
	04	08	12	17	21	25	30	34	39	43	47	52	
	05	09	13	18	22	26	31	35	40	44	48	53	
			14			27							

Bezpieczeństwo, wydajność oraz niezawodność zostały potraktowane jako główny priorytet przy opracowywaniu bezprzewodowej dmuchawy/odkruszacza.

PRZEZNACZENIE

Bezprzewodowa dmuchawa/odkurzacz są przeznaczone wyłącznie do stosowania na zewnątrz pomieszczeń, w suchym i dobrze oświetlonym miejscu.

Produkt ten nie jest przeznaczony do użytkowania przez dzieci lub osoby o ograniczonych zdolnościach fizycznych, umysłowych lub sensorycznych.

Produkt jest przeznaczony do wydmuchiwania i wciągania lekkich śmieci, w tym liści, trawy i innych odpadów ogrodowych. Jest przeznaczona do usuwania podciśnieniowego zanieczyszczeń i zbierania ich do worka.

Produkt nie jest przeznaczony do zasysania wody i innych cieczy. Nie używać do żadnych innych celów.

OGÓLNE OSTRZEŻENIA DOTYCZĄCE BEZPIECZEŃSTWA

▲ OSTRZEŻENIE

Zapoznaj się ze wszystkimi zasadami bezpieczeństwa i instrukcjami. Niezastosowanie się do ostrzeżeń i instrukcji może spowodować porażenie prądem, pożar oraz/lub poważne obrażenia ciała. Zachowajcie te ostrzeżenia i zalecenia, aby móc się do nich odnieść w późniejszym czasie.

▲ OSTRZEŻENIE

Nigdy nie wolno pozwalać obsługiwać tego produktu dzieciom ani osobom nieznanym tych instrukcji. Przepisy lokalne mogą ograniczać dopuszczalny wiek operatora.

SZKOLENIE

- Przeczytać uważnie wszystkie instrukcje. Należy zapoznać się z przyrządami sterowania oraz zasadami prawidłowej obsługi produktu.
- Należy pamiętać, że operator lub użytkownik jest odpowiedzialny za spowodowanie wypadku lub zagrożenia bezpieczeństwa osób i mienia.

- Nigdy nie wolno używać produktu, gdy użytkownik jest zmęczony lub pod wpływem alkoholu, narkotyków lub leków.

PRZYGOTOWANIE

- W niektórych regionach obowiązują przepisy ograniczające używanie produktu w przypadku określonych działań. Informacje na ten temat można uzyskać w lokalnych urzędach.
- Podczas obsługi produktu przez cały czas należy stosować pełne zabezpieczenie słuchu. Ta maszyna jest bardzo głośna i może dojść do uszkodzenia słuchu, jeśli nie będą ściśle przestrzegane nasze środki ostrożności mające na celu ograniczenie narażenia przez zredukowanie poziomu hałasu lub stosowanie środków ochrony słuchu.
- Podczas obsługi produktu przez cały czas należy stosować pełne zabezpieczenie oczu. Producent zdecydowanie zaleca stosowanie pełnej maski twarzowej lub pełnych gogli. Standardowe okulary lub okulary przeciwsłoneczne nie zapewniają wymaganego zabezpieczenia. Obiekty w każdej chwili mogą być odrzucone z dużą szybkością przez wydajny nadmuch powietrza i mogą odbić się od twardej powierzchni, uderzając operatora.
- Podczas obsługi produktu zawsze należy nosić odpowiednie obuwie oraz długie spodnie. Nie wolno obsługiwać urządzenia będąc boso, lub mając założone lekkie obuwie typu sandały. Unikać zakładania luźnej odzieży, ze sznurkami lub krawatem.
- Nie należy nosić luźnej odzieży lub biżuterii, która może być wciągnięta do wlotu powietrza. Długie włosy należy związać, aby znajdowały się powyżej ramion i aby nie zostały pochwycone przez maszynę.
- Przed użyciem należy sprawdzić, czy wszystkie przyrządy sterowania oraz zabezpieczenia działają prawidłowo. Nie należy używać narzędzia, jeśli wyłącznik („off”) nie umożliwia wyłączenia produktu.
- Produkt należy obsługiwać w rekomendowanej pozycji oraz jedynie na równej i stabilnej powierzchni.
- Nie uruchamiać maszyny na powierzchni żwirowej lub utwardzonej, gdzie wyrzucany materiał może spowodować zranienie.
- Przed każdym użyciem zawsze należy

sprawdzić, czy obudowa nie jest uszkodzona. Należy upewnić się, że osłony i uchwyty znajdują się na swoim miejscu i są dobrze zamocowane. Zużyte lub uszkodzone elementy należy wymieniać całymi zestawami, aby zachować odpowiednie wyważenie. Wymienić uszkodzone lub nieczytelne etykiety.

- Nie wolno używać tego urządzenia, gdy w pobliżu znajdują się osoby postronne, szczególnie dzieci lub zwierzęta.
- Wszelkie otwory wentylacyjne należy utrzymywać w stanie wolnym od zanieczyszczeń.
- Przed włączeniem dmuchawy należy usunąć z niej pozostałości za pomocą grabi i miotły.
- Oczyszczyć miejsce pracy każdorazowo przed rozpoczęciem pracy. Należy usunąć wszelkie objekty, takie jak kamienie, szkło, gwoździe, drut itp. ponieważ mogą być one odrzucone przez sprężone powietrze.

▲ OSTRZEŻENIE

Przed użyciem produktu w trybie zasysania należy połączyć ze sobą górną i dolną rurę ssawną. Jest to operacja jednorazowa. Nigdy nie wolno używać odkurzacza z zamontowaną samą górną rurą odkurzacza. Ryzyko urazów ciała jest zdecydowanie większe, jeśli to ostrzeżenie zostanie zignorowane.

UŻYTKOWANIE I OBSŁUGA AKUMULATORA

- Ładować wyłącznie za pomocą ładowarki dostarczonej przez producenta. Ładowarka przeznaczona do jednego modelu akumulatora może być przyczyną pożaru w przypadku zastosowania do ładowania akumulatora innego typu.
- Używać narzędzi ręcznych z napędem elektrycznym wyłącznie z akumulatorami przeznaczonymi do tych urządzeń. Używanie innych akumulatorów wiąże się ze zwiększonym ryzykiem pożaru lub obrażeń ciała.
- Gdy akumulator nie jest używany, przechowywać go z dala od innych metalowych przedmiotów, np. spinaczy, monet, kluczy, gwoździ, śrub lub innych małych metalowych przedmiotów, które

mogłyby utworzyć połączenie między stykami, prowadząc do zwarcia. Zwarcie styków akumulatora może spowodować oparzenia lub pożar.

- W przypadku niewłaściwej obsługi może dojść do wycieku płynu z akumulatora, należy unikać kontaktu z tym płynem. Miejsce ewentualnego kontaktu przepłukać wodą. W przypadku, gdy płyn dostanie się do oczu, po przemyciu zwrócić się o pomoc do lekarza. Płyn wyciekający z akumulatora może powodować podrażnienia i oparzenia.
- Nie stosować uszkodzonych ani zmodyfikowanych akumulatorów i narzędzi. Uszkodzone lub zmodyfikowane akumulatory mogą zachowywać się w sposób nieprzewidywalny, co może prowadzić do pożaru, wybuchu lub ryzyka obrażeń.
- Nie narażać akumulatora lub narzędzia na działanie ognia lub zbyt wysokich temperatur. Narażenie na działanie ognia lub temperatury powyżej 130°C może spowodować wybuch.
- Przestrzegać wszystkich instrukcji ładowania i nie ładować akumulatora ani narzędzia poza podanym w instrukcji zakresem temperatur. Ładowanie w niewłaściwy sposób lub w temperaturze poza określonym zakresem może doprowadzić do uszkodzenia akumulatora i wzrostu zagrożenia pożarowego.

SPOSÓB UŻYCIA

- Przed uruchomieniem produktu należy upewnić się, że komora podająca jest pusta.
- Trzymać twarz i całe ciało z dala od otworu załadunkowego.
- Z maszyny można korzystać wyłącznie w rozsądnych godzinach, a nie wcześniej rano lub późno w nocy, zakłócając spokój innych ludzi.
- Nigdy nie wolno używać produktu w wybuchowej atmosferze.
- Należy unikać używania produktu w złych warunkach pogodowych, szczególnie jeśli występuje ryzyko wyładowań atmosferycznych.
- Nie pracować w słabym oświetleniu. Operator musi dobrze widzieć miejsce pracy, aby móc zidentyfikować potencjalne

zagrożenia.

- Praca podobnych narzędzi w pobliżu zwiększa ryzyko urazu słuchu oraz wtargnięcia innej osoby na miejsce pracy.
- Na zboczach należy zawsze stać w sposób pewny. Podczas pracy należy chodzić, nie wolno biegać.
- Nie zbliżać rąk, stóp ani żadnej innej części ciała ani odzieży do komory załadunkowej, zsuwni ani żadnej ruchomej części.
- Stać stabilnie, zachowując równowagę. Nie sięgać zbyt daleko. Sięganie zbyt daleko grozi utratą równowagi.
- Nigdy nie wolno używać tego produktu z uszkodzonymi osłonami lub zabezpieczeniami lub bez zabezpieczeń, np. bez założonej osłony.
- Nie należy modyfikować maszyny w żaden sposób ani używać części i akcesoriów, które nie są zalecane przez producenta.

▲ OSTRZEŻENIE

W przypadku upuszczenia produktu, narażenia jej na silne uderzenie lub w przypadku wystąpienia nietypowych wibracji należy natychmiast zatrzymać produkt i sprawdzić, czy nie ma oznak uszkodzenia lub ustalić przyczynę wibracji. Wszelkie uszkodzone części muszą być odpowiednio naprawione lub wymienione w autoryzowanym punkcie serwisowym.

- Aby ograniczyć ryzyko obrażeń związanych z kontaktem z obracającymi się częściami, zawsze zatrzymywać produkt i wyjmować akumulator. Upewnić się, czy wszystkie ruchome części całkowicie się zatrzymały przed:
 - pozostawianie produktu bez nadzoru
 - usuwaniem zatorów lub odblokowaniem rynny zsykowej
 - sprawdzanie i czyszczenie produktu oraz praca z produktem
 - kontrolą produktu po uderzeniu w ciało obce
- W razie wypadku lub awarii należy natychmiast wyłączyć urządzenie i wyjąć z niego baterię. Nie należy włączać produktu ponownie, dopóki nie zostanie w pełni sprawdzony przez autoryzowane centrum serwisowe.

OSTRZEŻENIA DOTYCZĄCE BEZPIECZEŃSTWA PRACY Z DMUCHAWĄ

- W przypadku wytwarzania dużej ilości kurzu, aby zapobiec jego wdychaniu, należy stosować maskę przeciwpyłową.
- W przypadku dużego zapylenia należy lekko zwilżyć powierzchnię.
- Nie uruchamiać urządzenia w pobliżu otwartych okien.
- Należy używać szerokiej dyszy, tak aby strumień powietrza mógł być prowadzony blisko ziemi i produkt pracował optymalnie.
- Nie wolno kierować dyszy dmuchawy w kierunku osób postronnych lub zwierząt.
- Nigdy nie wolno wkładać obiektów do rur dmuchawy.
- Nie umieszczać produktu na lub w pobliżu leżących luzem odpadów. Gruz może zostać wciągnięty przez otwory powietrza dolotowego, co może spowodować uszkodzenie urządzenia.

OSTRZEŻENIA DOTYCZĄCE BEZPIECZEŃSTWA PRACY Z ODKURZACZEM

▲ OSTRZEŻENIE

Nigdy nie wolno używać odkurzacza z zamontowaną samą górną rurą odkurzacza. Zignorowanie tego ostrzeżenia może spowodować poważne obrażenia ciała.

OBJAŚNIENIE: Bez zamontowanej dolnej rury ssawnej dużo łatwiej jest sięgnąć wewnątrz rury w kierunku łopaty wentylatora.

- Nie wolno uruchamiać odkurzacza bez zamontowanego worka na odpady. Odrzucane odpady mogą spowodować poważne urazy ciała. Przed rozpoczęciem pracy należy upewnić się, że worek na pył jest w dobrym stanie i jest całkowicie zamknięty.
- Przesuwać produkt ze strony prawej na lewą, wzdłuż zewnętrznej krawędzi stosu śmieci. Aby uniknąć zablokowania, nie należy wkładać rury odkurzacza bezpośrednio do stosu odpadów.
- Przytrzymać silnik powyżej wlotu rury próżniowej.
- Aby uniknąć poważnych obrażeń ciała operatora lub uszkodzenia urządzenia, nie

należy usiłować wciągać kamieni, zbitego szkła, butelek lub innych podobnych przedmiotów.

- Należy unikać sytuacji, które mogłyby spowodować pożar w worku na odpady. Nie obsługiwać urządzenia w pobliżu źródeł otwartego ognia. Nie odkurzać gorącego popiołu z kominków, grillów, ognisk itp. Nie odkurzać niedopałków papierosów lub cygar o ile nie ostygły one całkowicie.
- Wszystkie kończyny należy trzymać z dala od ruchomych elementów urządzenia. Obracające się łopaty wirnika mogą spowodować poważne zranienie. Należy zatrzymać silnik i przed otwarciem pokrywy wyciągu, montażem/wymianą rur, otwarciem lub wyjęciem worka z odpadami należy upewnić się, że ostrza przestały się obracać.
- Podając materiał do produktu, należy uważać, by nie znajdowały się w nim kawałki metalu, kamienie, butelki, puszki lub inne ciała obce.
- Nie dopuszczać, by w strefie wylotowej gromadził się nieprzetworzony materiał. Może to zakłócać prawidłowe usuwanie materiału i skutkować jego odskokiem przez otwór wlotowy.
- Jeżeli w produkcie powstanie zator, przed usunięciem zanieczyszczeń zatrzymać silnik i wyjąć akumulator.

AKUMULATOR — DODATKOWE OSTRZEŻENIA DOTYCZĄCE BEZPIECZEŃSTWA

▲ OSTRZEŻENIE

Aby uniknąć niebezpieczeństwa pożaru, obrażeń lub uszkodzeń produktu na skutek zwarcia, nie wolno zanurzać narzędzia, akumulatora wymiennego ani ładowarki w cieczach i należy zająć się o to, aby do urządzeń i akumulatorów nie dostały się żadne ciecze. Zwarcie spowodować mogą korodujące lub przewodzące ciecze, takie jak woda morską, określone chemikalia i wybielacze lub produkty zawierające wybielacze.

TRANSPORT I PRZECHOWYWANIE

- Przed schowaniem lub transportem produktu należy zatrzymać go, wyjąć

akumulator i odczekać, aż ostygnie.

- Usunąć z produktu wszelkie zanieczyszczenia. Należy przechowywać urządzenie w chłodnym, suchym i dobrze wentylowanym miejscu, które jest niedostępne dla dzieci. Nie chowajcie jej w pobliżu czynników żrących, takich jak ogrodowe produkty chemiczne czy sole odmrażające. Nie przechowywać na zewnątrz.
- W przypadku transportu produktu należy zabezpieczyć go przed przemieszczaniem się lub upadkiem, aby nie dopuścić do obrażeń ciała lub uszkodzenia urządzenia.

TRANSPORTOWANIE AKUMULATORÓW LITOWYCH

Akumulatory należy transportować zgodnie z lokalnymi i krajowymi przepisami i regulacjami.

Należy postępować zgodnie z wszystkimi specjalnymi wymaganiami dotyczącymi pakowania i etykietowania akumulatorów podczas transportu przez stronę trzecią. Upewnij się, że żadne akumulatory nie zetkną się z innymi akumulatorami lub materiałami przewodzącymi podczas transportu; w tym celu należy zabezpieczyć odkryte złącza nieprzewodzącymi nakładkami izolacyjnymi lub taśmą izolacyjną. Nie należy transportować pękniętych ani nieszczelnych akumulatorów. Szczegółowe porady można uzyskać w firmie spedycyjnej.

KONSERWACJA

▲ OSTRZEŻENIE

Należy stosować wyłącznie oryginalne części zamienne, akcesoria oraz przystawki producenta. W przeciwnym razie może dojść do obrażeń ciała, niskiej wydajności oraz do unieważnienia gwarancji.

▲ OSTRZEŻENIE

Serwisowanie wymaga wyjątkowej staranności i wiedzy. Może być wykonywane wyłącznie przez wykwalifikowany personel serwisowy. Serwisowanie produktu należy zlecić autoryzowanemu przedstawicielowi serwisu. Do serwisowania należy stosować wyłącznie oryginalne części zamienne producenta.

- Nie przeprowadzać regulacji ani napraw, które nie zostały opisane w tym podręczniku. W przypadku innych napraw lub pytań należy zwrócić się o pomoc do autoryzowanego punktu serwisowego.
- Po każdym użyciu należy wyczyścić produkt miękką, suchą szmatką.
- Systematycznie sprawdzać, czy wszystkie nakrętki, wkręty i śruby są dobrze dokręcone, aby upewnić się, że produkt jest w bezpiecznym stanie. Każdą uszkodzoną część należy odpowiednio naprawić lub wymienić w autoryzowanym punkcie serwisowym.
- Jeśli etykiety są uszkodzone lub nieczytelne, należy zwrócić produkt do punktu serwisowego w celu wymiany etykiet.

USUWANIE ZABLOKOWANYCH ELEMENTÓW

- Aby ograniczyć ryzyko urazów ciała związanych z kontaktem z obracającymi się częściami, zawsze należy zatrzymać produkt, odłączyć go od źródła zasilania i sprawdzić, czy wszystkie ruchome części zatrzymały się.
- Zdemontować rury nadmuchowe w celu sprawdzenia, czy żadne pozostałości nie blokują urządzenia. W razie potrzeby usunąć obce objekty.
- Zdemontować worek zbiornika na odpady. Sprawdzić, czy adapter worka nie jest zablokowany.
- Sprawdzić otwór obudowy wentylatora i rurę prowadzącą do worka na odpady. Uwaga: nawet jeśli akumulator jest odłączony, łopatkę wentylatora i ostrza rozdrabniające mogą poruszyć się podczas usuwania obiektów. Nigdy nie należy zbliżać palców do łopatek wentylatora i ostrzy rozdrabniających.
- Nie należy próbować wymontowywać łopatek wentylatora ani ostrzy rozdrabniających. Jeśli wymagane jest wymontowanie łopatek wentylatora i ostrzy rozdrabniających, należy przekazać produkt do autoryzowanego punktu serwisowego.
- Zamontować rury i worek zbiornika na odpady przed zamontowaniem akumulatora i uruchomieniem produktu.

RYZIKO ZWIĄZANE Z UŻYTKOWANIEM

Nawet jeśli produkt jest używany zgodnie z zaleceniami, nadal nie jest możliwe wyeliminowanie określonych czynników ryzyka. Następujące zagrożenia mogą wystąpić podczas używania urządzenia i operator powinien zwracać szczególną uwagę na poniższe punkty:

- Urazy ciała spowodowane przez wibracje
 - Zawsze należy używać odpowiednich narzędzi do odpowiedniej pracy, używać przeznaczonych do tego celu uchwytów i najniższej prędkości umożliwiającej wykonanie danej pracy.
- Narażenie na hałas może spowodować utratę słuchu.
 - Należy nosić środki ochrony uszu oraz ograniczyć poziom narażenia.
- Obrażenia ciała spowodowane przez ciało wyrzucane z rury dmuchawy, jeżeli nie założono worka do zbierania zanieczyszczeń lub jest on uszkodzony.
 - Stosować przez cały czas środki ochrony oczu.

OGRANICZENIE RYZYKA

Badania dowodzą, że wibracje powodowane przez narzędzia ręczne mogą wywoływać u niektórych osób objawy syndromu Raynauda. Typowe objawy to mrowienie, drętwienie i blednięcie palców, widoczne zwykle po wystawieniu na działanie zimna. Uważa się, że czynniki dziedziczne, wystawienie na działanie zimna i wilgoci, dieta, palenie papierosów i przyjęte zwyczaje przyczyniają się do rozwoju tych objawów. Istnieją środki zaradcze, które może podjąć operator narzędzia, aby zmniejszyć efekt wibracji:

- Zadbaj w niskich temperaturach o ciepłość własnego ciała, zakładając odpowiednie ubranie. Podczas obsługi produktu należy nosić rękawice, aby dłonie i nadgarstki były ciepłe.
- Podczas przerw w pracy należy wykonywać ćwiczenia poprawiające krążenie krwi..
- Podczas pracy robić częste przerwy. Ograniczyć ekspozycję w ciągu dnia.

W razie doświadczenia dowolnego z wymienionych objawów, należy niezwłocznie zaprzestać użytkowania tego urządzenia i skontaktować się z lekarzem.

⚠ OSTRZEŻENIE

Długotrwałe użytkowanie narzędzia może spowodować obrażenia ciała lub nasilić dolegliwości zdrowotne. W przypadku używania narzędzia przed dłuższy czas należy pamiętać o regularnych przerwach.

ZAPOZNAJ SIĘ ZE SWOIM PRODUKTEM

Patrz str. 161.

1. Przedni uchwyt
2. Uchwyt do szybkiego zwalniania
3. Podkładka na ramię
4. Dźwignia ustalająca natężenie nadmuchu
5. Przycisk Turbo
6. Rękojeść
7. Przycisk uruchamiający
8. Dźwignia wyboru trybu dmuchawy/ odkurzacza
9. Adapter worka
10. Worek zbiorczy
11. Rura dolna dmuchawy
12. Kółka prowadzące
13. Dolna rura odkurzenia
14. Dolna rura odkurzenia
15. Śruba blokująca

SYMBOLE PRODUKTU



Należy przeczytać i zrozumieć wszystkie instrukcje przed rozpoczęciem obsługi produktu oraz przestrzegać wszystkich ostrzeżeń i instrukcji dotyczących bezpieczeństwa.



Uwaga na odrzucone przedmioty. Wszystkie osoby postronne, a szczególnie dzieci i zwierzęta, muszą znajdować się w odległości przynajmniej 15 metrów od miejsca pracy.



Obracające się wentylatory. Nie należy zbliżać rąk ani nóg do otworów podczas pracy produktu.



Nosić środki ochrony słuchu



Zakładać środki ochrony wzroku



Nie wystawiać urządzenia na działanie deszczu ani nie używać w miejscach o dużej wilgotności.



Gwarantowany poziom mocy akustycznej wynosi 99 dB



Zgodne akcesorium: RAC364



Przed rozpoczęciem pracy z produktem wymontować akumulator.



Ciągnięcie: Wypust szybkozłącza



Narzędzie to spełnia wymogi wszystkich norm reglamentacji kraju UE, w którym było ono zakupione.



Znak zgodności EurAsian



Ukraiński znak zgodności



Zużyte produkty elektryczne nie powinny być utylizowane z odpadami domowymi. Prosimy poddawać recyklingowi w odpowiednich miejscach. Informacje o właściwych metodach recyklingu można uzyskać u władz lokalnych lub sprzedawcy.



Tryb dmuchawy



Tryb odkurzenia

SYMBOLE W TYM PODRĘCZNIKU



Objaśnienie



Ostrzeżenie!



Części lub akcesoria
sprzedawane oddzielnie

Poniższe symbole i nazwy które im nadano, pozwalają wyjaśnić różne poziomy ryzyka związane z używaniem tego narzędzia.

⚠ NIEBEZPIECZEŃSTWO

Wskazuje na realne zagrożenie, które może spowodować śmierć lub poważne zranienie, jeżeli się nie uniknie tego niebezpieczeństwa.

⚠ OSTRZEŻENIE

Wskazuje na potencjalne zagrożenie, które może spowodować śmierć lub poważne zranienie, jeżeli się nie uniknie tego niebezpieczeństwa.

⚠ UWAGA

Wskazuje na potencjalne zagrożenie, które może spowodować mniejsze lub bardziej poważne zranienie, jeżeli się nie uniknie tego niebezpieczeństwa.

UWAGA

Bez symbolu ostrzeżenia
Sytuacja, która może grozić uszkodzeniem mienia.

Bezpečnost, výkon a spolehlivost byli hlavní prioritou při návrhu vašeho foukače/vysavače.

ZAMÝŠLENÉ POUŽITÍ

Akumulátorový foukač/vysavač je určen pouze k venkovnímu použití za sucha a dobrého osvětlení.

Tento nástroj není určen pro používání osobami, včetně dětí, pokud jsou jejich fyzické, pohybové nebo mentální schopnosti sníženy.

Nástroj je určen pro odfukování a vysávání lehkých materiálů, včetně listí, trávy nebo jiného odpadu ze zahrad. Je určen k vysávání a mulčování odparu a sběru do sběrného vaku.

Výrobek není určen k vysávání vody ani jiných tekutin. Přístroj nepoužívejte ji k jiným účelům.

VŠEOBECNÁ BEZPEČNOSTNÍ VAROVÁNÍ

▲ VAROVÁNÍ

Přečtěte si všechny pokyny a bezpečnostní varování. Opomenutí dodržování varování a pokynů uvedených níže může způsobit úraz elektřinou, požár a/nebo vážná poranění osob. Uschovejte všechny pokyny a upozornění, abyste se k nim mohli v budoucnosti vrátit.

▲ VAROVÁNÍ

Nenechte děti nebo osoby neseznámené s těmito pokyny pracovat s výrobkem. Místní předpisy mohou omezovat dobu obsluhy.

ZAŠKOLENÍ

- Návod si pečlivě přečtěte. Seznamte se s ovládáním a řádným používáním nástroje.
- Uživatel nebo obsluha tohoto zahradnického nástroje je zodpovědná za nehody nebo nebezpečí způsobená na jiné osobě nebo jejich majetku.
- Výrobek nepoužívejte, pokud jste unavení, nemocní nebo pod vlivem drog, alkoholu či léků.

PŘÍPRAVA

- Místní předpisy mohou omezovat použití výrobku. Ověřte si u svého orgánu místní

správy toto nařízení.

- Při práci s nástrojem vždy používejte ochranu sluchu. Nástroj je velmi hlučný a může nastálo ovlivnit sluch při vystavení, omezujte hluk a noste ochranu sluchu, i když to není dáno.
- Při práci s nástrojem vždy používejte ochranu zraku. Výrobce důrazně doporučuje používat celoobličejovou masku nebo uzavřené ochranné brýle. Dioptrické ani sluneční brýle nejsou vhodnou ochranou. Objekty mohou být odmršťovány vysokou rychlostí silným proudem vzduchu a mohou se odrážet od pevných povrchů směrem k obsluze.
- Když s nástrojem pracujete, noste vždy pevnou obuv a dlouhé kalhoty. Se zařízením nepracujte, pokud máte obuty sandály s otevřenou špičkou, nebo pokud jste bosí. Zamezte nošení volných oděvů, nebo které mají vlající šňůrky nebo pásky.
- Nenoste volné oblečení nebo šperky, mohou se zachytit do nasávání vzduchu. Dlouhé vlasy si svažte nad rameny, aby se nemohly zaplést do pohyblivých částí.
- Před každým použitím se ujistěte, že všechny ovladače a jištění řádně fungují. Nástroj nepoužívejte, pokud přepínač „nevypíná“ (off) nástroj.
- Výrobek provozujte pouze v doporučené poloze a pouze na pevném, rovném povrchu.
- Neprovozujte stroj na dlážděné nebo šterkové ploše, kdy by mohl vystřelený materiál způsobit poranění.
- Před použitím vždy zkontrolujte možné poškození krytu. Ujistěte se, že jsou všechny chrániče a kryty na místě a zajištěny. Vyměňte opotřebované nebo poškozené díly, abyste zachovali rovnováhu. Vyměňte poškozené nebo nečitelné štítky.
- Nikdy nepracujte s přístrojem, když jsou v blízkosti osoby, obzvláště děti nebo domácí zvířata.
- Udržujte všechny otvory pro chlazení vzduchem prosté smetí.
- Před použitím fukaru uvolněte volné předměty pomocí hrábí a smetáku.
- Před každým použitím si vyčistěte pracovní oblast. Odstraňte všechny předměty, například kameny, rozbité sklo, dráty nebo

strunu, které se mohou vymrštit velmi silným proudem vzduchu.

▲ VAROVÁNÍ

Před použitím výrobku v režimu vysávání je nutné spojit horní a dolní vysávací trubice. To je nutné udělat pouze jednou. Nikdy nepoužívejte vysavač pouze s horní trubici vysavače. Riziko zranění se významně zvyšuje, pokud nedodržíte toto varování.

POUŽITÍ A PÉČE O NÁSTROJ NA BATERIE

- Dobíjejte pouze nabíječkou určenou výrobcem. Nabíječka, která je vhodná pro jeden typ akumulátoru může způsobit nebezpečí požáru, pokud se používá s jiným bateriovým modulem.
- Elektrický nástroj používejte pouze s přesně určeným bateriovým modulem. Použití jakéhokoliv jiného akumulátoru může způsobit nebezpečí poranění a požáru.
- Pokud akumulátor nepoužíváte, uchovávejte jej mimo kovové předměty jako svorky pro papír, mince, klíče, hřebíky, šrouby nebo jiné malé kovové předměty, které mohou vytvořit propojení jednoho vývodu s druhým. Zkratování vývodů baterie může způsobit požár nebo popáleniny.
- Za nevhodných podmínek může z baterie vytékat kapalina; zabraňte kontaktu. Pokud dojde k náhodnému kontaktu, omyjte vodou. Pokud kapalina přijde do kontaktu s očima, vyhledejte lékařskou pomoc. Kapalina vytečená z baterie způsobit podráždění nebo popáleniny.
- Nepoužívejte baterie ani nástroj, který je poškozený nebo upravený. Poškozené nebo upravené baterie se mohou chovat nepředvídatelně a důsledkem může být požár, výbuch nebo riziko zranění.
- Nevystavujte baterii ani nástroj ohni nebo příliš vysokým teplotám. Vystavení ohni nebo příliš vysokým teplotám převyšujícím 130°C může způsobit výbuch.
- Postupujte podle všech pokynů k nabíjení a nenabíjejte baterie nebo nástroj mimo teplotní rozsah uvedený v pokynech. Nesprávné nabíjení nebo při teplotách mimo uvedený rozsah může poškodit baterii a zvýšit riziko požáru.

POUŽITÍ

- Před spuštěním výrobku se ujistěte, že je vstupní komora prázdná.
- Udržujte obličej a tělo mimo vstupní otvor.
- Nástroj používejte pouze ve vhodnou denní dobu - ne brzy ráno nebo pozdě večer, neboť lidé mohou být rušeni.
- Nikdy nepoužívejte ve výbušném ovzduší.
- Nepoužívejte stroj při špatném počasí, zejména, hrozí-li bouřky.
- Neprovazujte při slabém osvětlení. Obsluha musí mít čistý výhled na pracovní oblast k identifikaci potenciálních nebezpečí.
- Obsluha podobných nástrojů zvyšuje jak nebezpečí poranění sluchu, tak osob vstupujících do zóny práce.
- Vždy na svazích zabezpečte své pevné postavení. Chodte, nikdy neběhejte.
- Nenechávejte ruce nebo jakékoliv části těla nebo oděvu uvnitř vstupní komory, výsypného žlabu nebo v blízkosti pohyblivých částí.
- Udržujte bezpečné postavení a rovnováhu. Nepřeceňujte se. Přeceňování může způsobit ztrátu rovnováhy.
- Nikdy neprovazujte nástroj s poškozenými chrániči nebo štíty nebo bez bezpečnostních zařízení, například lapačem úlomků.
- Nástroj nijak neupravujte nebo nepoužívejte příslušenství, jež nejsou doporučena výrobcem.

▲ VAROVÁNÍ

Pokud začne po pádu, silných nárazech nástroj nenormálně vibrovat, zastavte nástroj a ihned zjistěte příčinu vibrací a rozsah škod. Pokud je nějaká část poškozena, musí se nechat řádně opravit nebo vyměnit pověřeným servisním střediskem.

- Pro snížení rizika zranění spojeného s kontaktem s rotujícími díly vždy produkt zastavte a vyjměte baterie. Ujistěte se, že všechny části jsou zcela zastaveny, a to před:
 - ponechání výrobku bez dozoru
 - čištěním usazenin v trubici
 - kontrola, čištění nebo práce na výrobku
 - kontrolou výrobku po nárazu na cizí těleso

- V případě nehody či poškození sekačku okamžitě vypněte a vyjměte baterie. Výrobek můžete znovu používat až po důkladné kontrole autorizovaným servisním centrem.

BEZPEČNOSTNÍ VAROVÁNÍ K FUKARU

- V prašných prostředích noste respirátor pro snížení nebezpečí poranění spojených s vdechováním prachu.
- V prašných podmínkách povrch lehce navlhčete.
- Neprovazujte přístroj v blízkosti otevřených oken.
- Používejte celý nástavec trysky, aby se proud vzduchu pohyboval těsně u země a pracoval efektivně.
- Trysku fukaru nikdy nesměřujte na osoby ani domácí zvířata.
- Nikdy neumísťujte předměty dovnitř trubic fukaru.
- Neumisťujte výrobek na volný odpad ani v jeho blízkosti. Smetí se může dostat do vstupních otvorů, což má za následek možné poškození přístroje.

BEZPEČNOSTNÍ VAROVÁNÍ K VYSAVAČI

⚠ VAROVÁNÍ

Nikdy nepoužívejte vysavač pouze s horní trubicí vysavače. Nedodržování může zvýšit pravděpodobnost vážného osobního poranění.

POZNÁMKA: Bez dolní vysávací trubice snadněji dosáhnete na lopatku motoru uvnitř trubice.

- Nepoužívejte vysavač bez namontovaného sběrného vaku materiálu. Odlétající materiál může způsobit vážné poranění. Před uvedením do provozu zkontrolujte, že sběrný vak je v dobrém stavu a je zcela uzavřený.
- Pohybujte vysavačem ze strany na stranu podél vnějšího okraje odpadu. Abyste zabránili ucpání nevkładějte trubicí vysavače přímo do hromady materiálu k odklizení.
- Motor udržujte výše než vstupní konec trubice vysavače.
- Abyste zabránili vážnému poranění obsluhy

nebo poškození nástroje nevysávejte kameny, rozbité sklo, lahve nebo obdobné předměty.

- Vyhnete se situacím, které by se mohly způsobit požár materiálu ve sběrném vaku. Nepoužívejte v blízkosti otevřeného ohně. Nevysávejte horký popel z ohnišť, roštů, atd. Nevysávejte dokouřené doutníky nebo cigarety, dokud popel zcela nezchladne.
- Udržujte všechny části těla mimo pohyblivé součásti. Rotující lopatky hnacího kola mohou způsobit vážné poranění. Zastavte motor a ujistěte se, že jsou lopatky hnacího kola zastaveny před otevřením dvířek vysavače nebo při instalaci/výměně trubic, otvírání či odebírání sběrného vaku.
- Při podávání materiálu do výrobku dávejte pozor, aby se dovnitř nedostaly kousky kovu, kamenů, láhví, plechovek či jiných cizích předmětů.
- Dávejte pozor, aby se ve výrobku nehromadil zpracovaný materiál. Může to zamezit řádnému vyfouknutí materiálu, který se může vrátit nasávacím otvorem.
- Pokud dojde k zanesení výrobku, zastavte motor a vyjměte baterii. Teprve poté můžete výrobek vyčistit.

DOPLŇUJÍCÍ BEZPEČNOSTNÍ UPOZORNĚNÍ K BATERII

⚠ VAROVÁNÍ

Abyste zabránili nebezpečí požáru způsobeného zkratem, poraněním nebo poškozením výrobku, neponořujte náradí, výměnnou baterii nebo nabíječku do kapalin a zajistěte, aby do zařízení a akumulátorů nevnikly žádné tekutiny. Korodující nebo vodivé kapaliny, jako je slaná voda, určité chemikálie a bělicí prostředky nebo výrobky, které obsahují bělidlo, mohou způsobit zkrat.

TRANSPORT A SKLADOVÁNÍ

- Před uskladněním nebo přepravou zařízení zastavte, vyjměte baterii a nechte ho vychladnout.
- Odstraňte z výrobku všechny cizí materiál. Ukládejte v chladných, suchých a dobře větraných prostorech, které nejsou přístupné dětem. Náradí neuskładňujte

v blízkosti žíravých látek, jako například v blízkosti zahrádkářských nebo zahradnických chemických přípravků nebo soli na zimní sypaní komunikací. Neskladujte mimo budovu.

- Při transportu výrobku zajistěte proti pohybum nebo pádu, abyste zabránili poranění osob nebo poškození výrobku.

TRANSPORT LITHIOVÝCH BATERIÍ

Přenos baterií dle místních a národních opatření a předpisů.

Dodržujte všechny zvláštní požadavky na balení a značení při transportu baterií třetí stranou. Zajistěte, aby žádné baterie nepřišly do kontaktu s jinými bateriemi nebo vodivými materiály při transportu pomocí ochrany nekrytých kontaktů prostřednictvím izolace, nevodivých krytek či lepicích pásek. Nepřeppravujte prasklé nebo baterie s unikajícím elektrolytem. Ptejte se u zášilkové společnosti na další radu.

ÚDRŽBA

▲ VAROVÁNÍ

Používejte pouze originální příslušenství, doplňky a náhradní díly výrobce. Zanedbání může zapříčinit možné poranění, slabý výkon a může dojít ke ztrátě záruky.

▲ VAROVÁNÍ

Údržba vyžaduje extrémní péči a znalosti a měla by být prováděna pouze kvalifikovaným servisním technikem. Pro servis vraťte výrobek do autorizovaného servisního centra. Při údržbě používejte pouze původní náhradní díly výrobce.

- Můžete provádět pouze v návodu k obsluze uvedené opravy a seřízení. Pro jiné opravy nebo poradenství, požádejte o pomoc autorizované servisní středisko.
- Po každém použití setřete nástroj měkkým a suchým hadříkem.
- Zkontrolujte všechny šrouby, matice v častých intervalech na řádné utažení, aby se zajistilo, že výrobek bude pracovat v bezpečných pracovních podmínkách. Jakýkoliv poškozený díl je nutné správně opravit nebo nechat vyměnit v autorizovaném servisním středisku.

- Chcete-li vyměnit poškozené nebo nečitelné štítky, předejte zařízení do autorizovaného servisního střediska.

ODSTRANĚNÍ ZABLOKOVÁNÍ

- Chcete-li snížit riziko zranění spojené s kontaktem s rotujícími díly, vždy zařízení zastavte, vyjměte akumulátor a ujistěte se, že se všechny pohyblivé části zastavily:
- Chcete-li zkontrolovat, zda nedošlo k ucpání fukaru, sundejte trubku fukaru. V případě potřeby trubku vyčistěte.
- Odstraňte zbytky ze sběrného vaku. Zkontrolujte, zda nedošlo k ucpání v oblasti adaptéru vaku.
- Zkontrolujte otvor vedoucí do krytu ventilátoru a trubku do sběrného vaku, zda zde nedošlo k ucpání. Pamatujte, že i po vyjmutí baterie se ventilátor a mulčovací lopatky mohou při odstraňování ucpaných zbytků pohybovat. Vždy udržujte prsty z dosahu ventilátoru a mulčovacích lopatek.
- Nepokoušejte se vyjmout ventilátor ani mulčovací lopatku. Pokud je nutné ventilátor a mulčovací lopatky vyjmout, zařízení předejte do autorizovaného servisního střediska.
- Před instalací akumulátoru a spuštěním zařízení znovu namontujte trubky a sběrný vak.

ZBYTKOVÁ RIZIKA

Dokonce, i když se výrobek provozuje jak je předepsáno, je stále nemožné zcela eliminovat veškeré zbytkové rizikové faktory. Následující nebezpečí mohou nastat při používání; vyhybejte se:

- Poranění způsobené vibracemi
 - Vždy používejte pro práci správný nástroj, používejte určené rukojeti a k vykonání požadované práce použijte nejnižší rychlost.
- Vystavování hluku může způsobit poškození sluchu.
 - Noste ochranu sluchu a omezte vystavení.
- Poranění létajícími kusy z fukaru, pokud není sběrný vak nasazení nebo je poškozený
 - Vždy noste adekvátní ochranu zraku.

EN
FR
DE
ES
IT
NL
PT
DA
SV
FI
NO
RU
PL
CS
HU
RO
LV
LT
ET
HR
SL
SK
BG
UK
TR

SNÍŽENÍ RIZIKA

Bylo zjištěno, že vibrace z ručních pracovních nástrojů mohou u některých osob přispívat ke stavu tzv. Raynaud's Syndrome (Raynaudovu syndromu). Mezi jeho příznaky patří brnění, necitlivost a zblednutí prstů, patrné obvykle po pobytu v chladu. Vědci se domnívají, že k rozvinutí těchto příznaků přispívají dědičné faktory, pobyt v chladu a vlhku, strava, kouření a pracovní návyky. Uživatel může omezit případné působení vibrací použitím vhodných opatření:

- Za chladného počasí se teple oblečte. Při práci s výrobkem si navlékněte rukavice, abyste udrželi ruce a zápěstí v teple.
- Během práce si v pravidelných intervalech zacvičte, abyste zvýšili krevní oběh.
- Zařazujte časté pracovní přestávky. Omezte dobu práce za den.

Jakmile pocítíte některý z výše uvedených příznaků tohoto syndromu, okamžitě přerušete práci a vyhledejte lékaře.

VAROVÁNÍ

Poranění mohou být způsobena, či zhoršena, prodlouženým používáním nástroje. Když používáte jakýkoliv nástroj delší dobu, dělejte pravidelné přestávky.

POZNEJTE SVŮJ NÁSTROJ

Viz strana 161.

1. Přední rukojeť
2. Páčka rychlého odepnutí
3. Ramenní podložka
4. Páčka regulace výkonu
5. Turbo tlačítko
6. Rukojeť
7. Spoušť
8. Volicí páka režimu fukar/vysavač
9. Adaptér vaku
10. Sběrný vak
11. Spodní tyč fukaru
12. Vodící kola
13. Spodní trubice vysavače
14. Horní trubice vysavače
15. Závít zámku

SYMBOLY NA VÝROBKU



Řádně si návod přečtěte, porozumějte veškerým pokynům a dodržujte všechny bezpečnostní pokyny a bezpečnostní varování.



Dávejte pozor na odmrštěné nebo odletující předměty. Všechny přihlízející, zvláště děti a zvířata udržujte ve vzdálenosti alespoň 15 m od pracovní oblasti.



Rotující ventilátory. Mějte ruce a nohy mimo otvory, když nástroj běží.



Noste ochranu sluchu



Noste ochranu očí



Nevystavujte dešti nebo nepoužívejte ve vlhkých podmínkách.



Zaručená hladina akustického výkonu je 99 dB.



Slučitelné příslušenství: RAC364



Před započítím jakékoli práce na fukaru nejdříve vyjměte baterii.



Táhněte: Rychlounvolňovací pásek



Toto náradí je v souladu se všemi normami a předpisy platnými v zemi EU, ve které bylo zakoupeno.



Euroasijská značka shody



Ukrajinská značka shody



Odpad elektrických výrobků se nesmí likvidovat v domovním odpadu. Recyklujte prosím na sběrných místech. Ptejte se u místních úřadů nebo prodejce na postup při recyklaci.



Režim foukání



Režim vysávání

SYMBOLY V NÁVODU



Poznámka



Varování



Díly nebo příslušenství jsou v prodeji samostatně

Následující signální slova a významy jsou vhodné pro vysvětlení úrovní nebezpečí spojených s tímto výrobkem.

⚠ NEBEZPEČÍ

Označuje bezprostředně rizikovou situaci, které je třeba předejít, jinak bude jejím následkem smrt nebo vážné zranění.

⚠ VAROVÁNÍ

Označuje možnou rizikovou situaci, které je třeba předejít, jinak jejím následkem může být smrt nebo vážné zranění.

⚠ VAROVÁNÍ

Označuje možnou rizikovou situaci, které je třeba předejít, jinak jejím následkem může být smrt nebo vážné zranění.

VAROVÁNÍ

Bez symbolu bezpečnostní výstrahy

Určuje situaci, která může mít za následek vážné poškození.



Az akkumulátoros fűvógép/szívógép tervezésekor a biztonság, a teljesítmény és a megbízhatóság voltak a legfontosabb szempontok.

RENDELTETÉSSZERŰ HASZNÁLAT

Az akkumulátoros fűvó-/szívógép csak kültéri, száraz és jól megvilágított körülmények közötti használatra alkalmas.

Ezt a terméket nem használhatják gyerekek és korlátozott fizikai, érzékelési vagy mentális képességekkel rendelkező személyek.

A termék könnyű hulladék, például levelek, fű vagy más kerti hulladék elfújására vagy felszívására szolgál. Rendeltetése az, hogy beszívja, felaprítja és a gyűjtőzsákba tölti a törmelékét.

A termék víz és egyéb folyadékok felszívására nem alkalmas. Semmilyen más célra ne használja.

ÁLTALÁNOS BIZTONSÁGI FIGYELMEZTETÉSEK

▲ FIGYELMEZTETÉS

Olvassa el az összes biztonsági figyelmeztetést és útmutatást. A figyelmeztetések és utasítások be nem tartása elektromos áramütést, tüzet és/vagy súlyos sérülést eredményezhet. Őrizze meg ezeket a figyelmeztetéseket és utasításokat a későbbi tájékozódásra is.

▲ FIGYELMEZTETÉS

Ne hagyja, hogy gyerekek vagy a termék használatát nem ismerő felnőttek használják a terméket. A helyi előírások korlátozhatják a kezelő életkorát.

GYAKORLÁS

- Figyelmesen olvassa el az utasításokat. Legyen tisztában a termék kezelőszerveivel és helyes használatával.
- Jegyezze meg, hogy a kezelő vagy a felhasználó felelős a más embereknek vagy tulajdonuknak okozott veszélyekért vagy balesetekért.
- Soha ne használja a terméket, ha fáradt, beteg, alkohol, tudatmódosítók, illetve gyógyszerek hatása alatt áll.

ELŐKÉSZÜLET

- Egyes régiókban olyan előírások érvényesek, amelyek korlátozzák a termék bizonyos műveletekre való használatát. További információért forduljon a helyi önkormányzathoz.
- A termék használata közben mindig viseljen teljes fülvédőt. Ez a gép nagyon hangos, és maradandó halláskárosodást eredményezhet, ha a kitettség korlátozására, a zaj csökkentésére és a fülvédő használatára vonatkozó előírások nincsenek szigorúan betartva.
- A termék használata közben mindig viseljen teljes szemvédőt. A gyártó kifejezetten javasolja a teljes arcmaszk vagy teljesen zárt védőszemüveg használatát. A normál szemüveg vagy a napszemüvegek nem nyújtanak megfelelő védelmet. Az erőteljes légáramlás bármikor nagy sebességgel röpíthet el tárgyakat, amelyek a kemény felületekről visszapattanhatnak a kezelő felé.
- A termék működtetése közben mindig megfelelő lábbelit és hosszú nadrágot viseljen. Ne használja a gépet mezítláb vagy nyitott szandálban. Kerülje a bő ruhák viseletét, vagy amelyből kábelek vagy madzagok lógnak ki.
- Ne viseljen laza ruházatot vagy ékszereket, amelyek bekerülhetnek a légbemeneti nyílásba. Ha hosszú a haja, azt a vállvonal felett rögzítse, nehogy beakadjon valamilyen mozgó alkatrészbe.
- Minden használat előtt ellenőrizze, hogy az összes kezelőszerv és biztonsági eszköz megfelelően működik. Ne használja a gépet, ha a főkapcsoló nem állítja le a motort.
- Csak a javasolt pozícióban és stabil, vízszintes felületen működtesse a terméket.
- Ne használja a gépet kavicsos vagy kövezett felületen, ahol a kidobott anyag sérülést okozhat.
- Sérüléseket keresve minden használat előtt vizsgálja át a burkolatot. Ellenőrizze, hogy a védőburkolatok és a fogantyúk a helyükön vannak, megfelelően rögzítve. Az egyensúly megtartása érdekében az elhasználadott vagy sérült alkatrészeket teljes készletben cserélje ki. A sérült vagy olvashatatlan címkéket cserélje ki.





- Soha ne működtesse a gépet, ha emberek - különösen gyerekek - vagy állatok vannak a közelben.
- A hűtőlevegő bemeneteit tartsa lerakódástól mentesen.
- Szétfújás előtt gereblyével és seprűvel lazítsa fel az avart.
- A használat előtt tisztítsa meg a munkaterületet. Távolítsa el minden tárgyat, úgymint köveket, törött üvegeket, szegeket, drótdarabokat és szálakat, amelyeket a nagysebességű levegő jelentős távolságra fújhat el.

▲ FIGYELMEZTETÉS

A terméket csak akkor használja szívó üzemmódban, ha előzőleg összeszerelte a felső és alsó szívócsövet. Ezt a műveletet csak egyszer kell elvégezni. Ne működtesse a gépet szívó üzemmódban, ha csak a felső szívócső van felszerelve. A személyi sérülés kockázata jelentősen megnő, ha nem tartja be ezt a figyelmeztetést.

AKKUMULÁTOROS SZERSZÁMGÉP HASZNÁLATA ÉS KARBANTARTÁSA

- Csak a gyártó által megadott töltővel töltsze az akkumulátorokat. Egy adott akkumulátortípushoz való töltő egy másik típusú akkumulátorral való használata tűzveszélyes lehet.
- A szerszámokat csak a hozzájuk való akkumulátorokkal üzemeltesse. Más akkumulátorok használata tűzveszélyes lehet, és sérüléseket okozhat.
- Az akkumulátort használaton kívül tartsa távol más fém tárgyaktól, úgymint gemkapcsoktól, érméktől, kulcsoktól, szögektől, csavaroktól vagy más kisméretű fém tárgyaktól, amelyek rövidre zárhatják a két érintkezőt. Az akkumulátor érintkezőinek rövidre zárása tüzet vagy égéseket okozhat.
- Nem megfelelő körülmények esetén folyadék távozhat az akkumulátorból, kerülje az azzal való érintkezést. Ha mégis érintkezik vele, öblítse le vízzel. Ha a folyadék szembe kerül, forduljon orvoshoz. Az akkumulátorból kifolyt folyadék irritációt vagy égéseket okozhat.
- Ne használjon sérült vagy átalakított akkucsomagot vagy eszközt. A sérült vagy

átalakított akkumulátor előre nem látható módon üzemelhet, ami tüzet, robbanást, más kockázatot vagy sérülést okozhat.

- Ne tegye ki az akkucsomagot vagy az eszközt túl magas hőmérsékleti hatásnak és ne tegye tűzbe ezeket. A tűznek vagy a 130°C feletti hőmérsékletnek való kitettség robbanást okozhat.
- Tartsa be az összes feltöltési utasítást és ne töltsze az akkucsomagot vagy az eszközt az utasításban megadott hőmérséklet-tartományon kívül. A helytelen töltés vagy a megadott tartományon kívüli hőmérsékleten való feltöltés az akkumulátort károsíthatja, és a tűzveszély kockázatát növelheti.

HASZNÁLAT

- A termék beindítása előtt mindig ellenőrizze, hogy az adagolókamra üres.
- Az arcát és a testét tartsa távol az etetőnyílástól.
- Csak a nappali órákban használja a gépet – ne korán reggel vagy késő este, amikor megszavarhatja mások nyugalmat.
- Soha ne működtesse a terméket robbanásveszélyes környezetben.
- Kerülje a termék használatát rossz időjárási feltételek mellett, különösen villámlás esetén.
- Ne használja a gépet gyenge megvilágítás esetén. A kezelőnek tiszta rálátással kell rendelkeznie a munkaterületre, hogy azonosíthassa a potenciális veszélyeket.
- Hasonló gépek egymás közelében történő használata növeli a halláskárosodás veszélyét, valamint annak veszélyét, hogy más személyek lépnek be az Ön munkaterületére.
- Mindig biztosan támaszkodjon meg a lejtőkön. Gyalogoljon, ne fusson.
- Ne hagyja, hogy ruházata, kezei vagy bármilyen más testrésze az etetőcsúszdába, a kibőbcsúszdába vagy bármilyen mozgó alkatrész közelébe kerüljön.
- Stabiban álljon és vegyen fel megfelelő egyensúlyt. Ne hajoljon ki túlságosan. A túlzott kihajlás egyensúlyvesztést eredményezhet.
- Soha ne működtesse a terméket hibás védőburkolatokkal vagy védőlemezekkel,

EN
FR
DE
ES
IT
NL
PT
DA
SV
FI
NO
RU
PL
CS
HU
RO
LV
LT
ET
HR
SL
SK
BG
UK
TR



illetve biztonsági berendezések, például felhelyezett hulladékgyűjtő nélkül.

- Semmilyen módon ne módosítsa a gépet vagy használjon a gyártó által nem ajánlott alkatrészeket és tartozékokat.

▲ FIGYELMEZTETÉS

Ha a gép leesett, erős ütést kapott vagy rendellenesen kezd vibrálni, azonnal állítsa le a gépet, és vizsgálja át sérülések tekintetében vagy azonosítsa a vibráció okát. Minden sérülést hivatalos szervizközpontban kell megjavíttatni vagy kicseréltetni.

- A forgóalkatrészekkel való érintkezés miatti sérülés kockázatának csökkentése érdekében mindig állítsa le a terméket és távolítsa el az akkucsomagot. A következő műveletek előtt győződjön meg arról, hogy minden mozgó alkatrész teljesen megállt:
 - a termék felügyelet nélkül hagyása
 - eldugulás megszüntetése, a csúszda tisztítása
 - ellenőrizi, tisztítja a terméket, illetve azon bármilyen munkát végez
 - a termék átvizsgálása, miután nekiütközött valaminek
- Baleset vagy műszaki probléma esetén azonnal kapcsolja ki a készüléket és vegye ki az akkumulátort. Ne használja a készüléket, amíg teljesen ét nem vizsgálták egy hivatalos szervizközpont

FÚVÓGÉP BIZTONSÁGI FIGYELMEZTETÉSEK

- Poros körülmények között viseljen arcmaszkot, hogy csökkentse a por beszívásából eredő sérülések veszélyét.
- Poros körülmények között enyhén nedvesítse be a felületet.
- Ne működtesse a gépet nyitott ablak közelében.
- Használja a teljes fúvógépcső-hosszabbítót, hogy a légáram csak közvetlenül a talaj felett jusson ki a csőből és hatékonyan végezze a dolgát.
- Ne irányítsa a fúvógépet közvetlenül emberekre vagy háziállatokra.
- Soha ne tegyen semmilyen tárgyat a fúvócsövek belsejébe.

- A terméket ne tegye laza törmelékre vagy közelébe. A hulladék bekerülhet a légbeömlő nyílásaiba, ami a berendezés súlyos károsodását eredményezheti.

A SZÍVÁSRA VONATKOZÓ BIZTONSÁGI FIGYELMEZTETÉSEK

▲ FIGYELMEZTETÉS

Ne működtesse a gépet szívó üzemmódban, ha csak a felső szívócső van felszerelve. Ezen figyelmeztetés mellőzése növeli a személyi sérülés kockázatát.

MEGJEGYZÉS: Ha az alsó szívócső nincs felszerelve, sokkal könnyebb benyúlni a csőbe a forgópengéhez.

- Ne működtesse a gépet szívó üzemmódban, ha nincs felszerelve a hulladékgyűjtő zsák. A kirepülő hulladékok súlyos sérülést okozhatnak. A termék működtetése előtt ellenőrizze, hogy a hulladékgyűjtő zsák jó állapotban van és le van zárva.
- A terméket jobbra-balra mozgassa a törmelék külső széle mentén. Az eltömődést elkerülendő ne tegye közvetlenül a hulladékra a szívócsövet.
- Magasabban tartsa a motort, mint a szívócső bemeneti vége.
- A kezelő súlyos sérülésének és a gép károsodásának elkerülése érdekében ne próbáljon felszívni köveket, törött üveget, palackokat vagy hasonló tárgyakat.
- Kerülje az olyan szituációkat, ami tüzet okozhat a hulladékgyűjtő zsákban. Ne használja nyílt láng közelében. Ne szívja a géppel a tűzhelyeken, tábornyeknél, hűssütőkben, stb., visszamaradt forró hamut. Ne szívjon a géppel eldobott szivarokat, cigarettákat, csak ha a parázs már teljesen kihűlt.
- A testrészeit tartsa távol a mozgó alkatrészekről. A forgó propeller lapátjai komoly sérülést okozhatnak. Állítsa le a motort, és győződjön meg róla, hogy a propeller lapátjai nem forognak, mielőtt kinyitná a szívóajtót, felszerelné/kicserélné a csöveket, kinyitná vagy eltávolítaná a hulladéktároló zsákot.
- Ha a termékbe anyagot adagol, ügyeljen arra, hogy ne kerüljön bele fém, kódarabok, üvegek, konzervdobozok és egyéb idegen tárgyak.

- Ne hagyja az üritési zónában összegyűlni a feldolgozott anyagot. Ez akadályozhatja a megfelelő üritést és az anyag a bevezető nyíláson át visszaáramolhat.
- Ha a termék eltömődik, a törmelék kiszedésének megkezdése előtt állítsa le a motort és vegye ki az akkumulátort.

AZ AKKUMULÁTOR KIEGÉSZÍTŐ BIZTONSÁGI FIGYELMEZTETÉSEI

▲ FIGYELMEZTETÉS

A rövidzárlat általi tűz, sérülések vagy termékkárosodások veszélye elkerülésére ne merítse a szerszámot, a cserélhető akkut vagy a töltőkészüléket folyadékokba, és gondoskodjon arról, hogy ne hatoljanak folyadékok a készülékekbe és az akkukba. A korrozív hatású vagy vezetőképes folyadékok, mint pl. a sós víz, bizonyos vegyi anyagok, fehérítők vagy fehérítő tartalmú termékek, rövidzárlatot okozhatnak.

SZÁLLÍTÁS ÉS TÁROLÁS

- Szállítás vagy tárolás előtt állítsa le a terméket, vegye ki az akkumulátort, és hagyja lehűlni a gépet.
- Minden idegen anyagtól tisztítsa meg a terméket. Hűvös, száraz és jól szellőztetett, gyerekektől elzárt helyiségben tárolja. Ne tárolja olyan oxidálószerek közelében, mint pl. kerti munkáknál használatos vegyszerek vagy jégmentesítő sók. Ne tárolja a szabadban.
- Szállításkor rögzítse a terméket elmozdulás és leesés ellen, hogy elkerülje a sérüléseket és a termék sérülését.

LÍTIUM AKKUMULÁTOROK SZÁLLÍTÁSA

Az akkumulátorokat a helyi és nemzeti előírásokkal és szabályokkal összhangban szállítsa.

Az akkumulátorok külső fél általi szállításakor kövesse a csomagolásra és a címkézésre vonatkozó speciális előírásokat. Ügyeljen arra, hogy az akkumulátorok ne érhessenek más akkumulátorokhoz vagy vezető anyagokhoz szállítás közben; ehhez a szabadon maradt csatlakozókat védje szigetelő fedéllel vagy szalaggal. Ne szállítson repedt vagy szivárgó akkumulátorokat. További információért vegye fel a kapcsolatot a továbbítást végző céggel.

KARBANTARTÁS

▲ FIGYELMEZTETÉS

Csak a gyártó eredeti cserealkatrészeit, tartozékait és szereléseit használja. Ennek figyelmen kívül hagyása gyenge motorteljesítményt, esetleges sérülést és a jótállás elvesztését okozhatja.

▲ FIGYELMEZTETÉS

szervizelés különös figyelmet és hozzáértést igényel, és csak szakképzett szerelő végezheti el. A szervizeléshez vigye el a terméket egy hivatalos szervizközpontba. Szervizeléskor csak eredeti, gyártó által előállított cserealkatrészeket használjon.

- Ne végezzen a jelen kézikönyvben nem megtalálható beállításokat és javításokat. További javításokért vagy tanácsért kérjen segítséget egy hivatalos szervizközpontban.
- Minden egyes használat után egy puha, száraz ruhával tisztítsa meg a terméket.
- Gyakori időközönként ellenőrizze a csavaranyák, csavarok és fejescsavarok megfelelő meghúzását, hogy a termék biztonságos üzemi állapotban legyen. A sérült alkatrészeket egy hivatalos szervizközpontban kell megjavíttatni vagy kicseréltetni.
- A sérült vagy olvashatatlan címkék cseréjéhez vigye vissza a terméket egy hivatalos szervizközpontba.

ELTÖMÖDÉS MEGSZÜNTETÉSE

- A forgó alkatrészekkel való érintkezés okozta sérülések veszélyének csökkentése érdekében mindig állítsa le a gépet, vegye ki az akkumulátort, és ellenőrizze, hogy minden mozgó rész megállt.
- A dugulás ellenőrzése érdekében távolítsa el a fűvöcsöveket. Ha szükséges, tisztítsa ki a csöveket.
- Távolítsa el a hulladékgyűjtő zsákot. Ellenőrizze, hogy a zsákadapter nincs eltömődve.
- Eltömődés tekintetében vizsgálja át a ventilátorburkolatot és a csőnek a hulladékzsákhoz vezető részét. Ne feledje, hogy a ventilátor és az aprítókések még

eltávolított akkumulátornál is mozoghatnak az eltömődés megszüntetése közben. Az ujjait mindig tartsa távol a ventilátortól és az aprítókésektől.

- Ne kísérelje meg eltávolítani a ventilátort vagy az aprítókést. Ha szükséges a ventilátor vagy az aprítókések eltávolítása, vigye el a terméket egy hivatalos szervizközpontba.
- Az akkumulátor behelyezése és a termék beindítása előtt szerelje vissza a csöveket és a hulladékgyűjtő zsákokat.

FENNMARADÓ KOCKÁZAT

Még a termék rendeltetésszerű használata esetén sem lehet teljesen kiküszöbölni minden kockázati tényezőt. A gép használata során a következő veszélyek merülhetnek fel, és a kezelőnek különösen oda kell figyelnie az alábbiak elkerülésére:

- A vibráció sérüléseket okozhat
 - Mindig a munkához megfelelő célszerszámot használja, használja a gépre szerelt fogantyúkat, és a munka elvégzéséhez mindig a lehető legalacsonyabb fordulatszámon működtesse a gépet.
- A zajnak való kitettség halláskárosodást okozhat.
 - Viseljen hallásvédőt és korlátozza a zajnak való kitettséget.
- A fúvócsőből kiáramló levegővel kirepülő tárgyak sérülést okozhatnak, ha a gyűjtőzsákokat nem megfelelően szerelte fel, illetve megrongálódott.
 - Mindig viseljen szemvédőt.

KOCKÁZATCSÖKKENTÉS

Arról számoltak be, hogy a kéziszerszámok használata során fellépő vibráció bizonyos személyeknél hozzájárulhat az úgynevezett Raynaud-szindróma (Raynaud's Syndrome) nevű állapot kialakulásához. A tünetei lehetnek az ujjak zsibbadása, elfehéredése, szúrások érzése, amelyek hidegnek kitéve gyakran felerősödnek. Az öröklődő tényezők, a hidegnek kitétség és verejtékezés, a diéta, a dohányzás és munka közben alkalmazott fogások valószínűleg mind hozzájárulhatnak ezen tünetek megjelenéséhez. A vibráció hatásainak csökkentése érdekében a kezelőnek be kell tartani az alábbi óvintézkedéseket:

- Hideg időben tartsa melegen a testét. A termék használatakor viseljen kesztyűt a kéz és a csukló melegen tartásához.
- Bizonyos időtartamú használat után mindig végezzen gyakorlatokat a vérkeringés javításához.
- Gyakran tartson munkaszünetet. Korlátozza a napi munkaidőt.

Ha ezen állapotot bármelyik tünetét tapasztalja, azonnal hagyja abba a munkát, és tájékoztassa az orvosát a tünetekről.

▲ FIGYELMEZTETÉS

Hosszabb használat sérülést okozhat. Ha a gépet hosszú időn át kell használnia, tartson gyakran szünetet.

ISMERJE MEG A TERMÉKET

Lásd 161. oldal.

1. Elelső fogantyú
2. Gyorskioldó fogantyú
3. Vállpárna
4. Sebességszabályozó kar
5. Turbó gomb
6. Fogantyú
7. Kioldó
8. Fúvó/szívó üzemmód választókar
9. Zsák adapter
10. Szívózsák
11. Alsó fúvócső
12. Vezetőkerekek
13. Alsó szívócső
14. Felső szívócső
15. Rögzítőcsavar

SZIMBÓLUMOK A TERMÉKEN



A termék használata előtt olvassa el és értse meg a kezelési útmutatóban leírtakat, és tartsa be az összes figyelmeztető és biztonsági utasítást.



Figyeljen a kivetett vagy repülő tárgyra. Az összes nézelődő, különösen a gyerekek és a háziállatok, legyenek legalább 15 m-es távolságra a használati területtől.



Forgó ventilátorok. A termék működése közben a kezeit és a lábát tartsa távol a nyílásoktól.



Viseljen fülvédőt



Viseljen védőszemüveget



Ne tegye ki esőnek, és ne használja nedves környezetben.



A garantált hangteljesítményszint 99 dB.



Kompatibilis tartozék: RAC364



A terméken végzett bármilyen munkát előtt vegye ki az akkumulátort



Húzza meg: Gyorskioldó fül



Ez a szerszám minden, a vásárlás európai uniós országában hatályos szabványnak megfelel.



Eurázsiai megfelelőségi jelzés



Ukrainai megfelelőségi nyilatkozat



A kiselejtezett elektromos termékeket nem szabad a háztartási hulladékkal együtt kidobni. Ezeket újra kell hasznosítani, ha van rá lehetőség. Az újrahaznosítással kapcsolatban érdeklődjön a helyi önkormányzatnál vagy a termék forgalmazójánál.



Fúvó üzemmód



Porszívó üzemmód

A KÉZIKÖNYVBEN HASZNÁLT SZIMBÓLUMOK



Megjegyzés



Figyelem



Külön értékesített alkatrészek és kiegészítők

A következő jelölőszavak és jelentések arra szolgálnak, hogy megmagyarázzák a termékkel kapcsolatos veszélyességi szinteket.

⚠ VESZÉLY

Egy bekövetkező veszélyes helyzetet jelez, ami, ha nem előzik meg, halált vagy komoly sérülést eredményez.

⚠ FIGYELMEZTETÉS

Egy potenciálisan bekövetkező veszélyes helyzetet jelez, amit, ha nem előznek meg, halált vagy komoly sérülést eredményezhet.

⚠ FIGYELEM FELHÍVÁS

Egy potenciálisan veszélyes helyzetet jelez, ami, ha nem előzik meg, kisebb vagy mérsékelt sérülést eredményezhet.

FIGYELEM FELHÍVÁS

Biztonsági figyelmeztető szimbólum nélkül Egy olyan helyzetet jelez, ami anyagi kárt eredményezhet.



Au fost acordate priorități maxime siguranței, performanței și fiabilității în proiectarea aparatului de suflat/aspiratorului dvs fără cablu.

UTILIZARE PREVĂZUTĂ

Aparatul de suflat/aspiratorul fără cablu este destinat doar pentru uzul exterior și în medii uscate și bine luminate.

Produsul nu este destinat a fi folosit de către copii sau persoane cu capacități fizice, mintale sau senzoriale reduse.

Produsul este destinat pentru suflarea și aspirarea resturilor ușoare incluzând frunzele, iarba și alte resturi de grădină. Aceasta este destinată aspirării și tocării reziduurilor rezultate în urma tăierii și depozitării acestora în sacul de colectare.

Produsul nu este conceput pentru a aspira apă sau alte lichide. Nu folosiți în alte scopuri.

AVERTISMENTE GENERALE PRIVIND SIGURANȚA

▲ AVERTISMENT

Citiți toate avertismentele și instrucțiunile de siguranță. Nerespectarea acestor avertismente și instrucțiuni poate conduce la șocuri electrice, incendii și/sau accidente grave. Păstrați aceste avertismente și instrucțiuni, pentru a le putea consulta ulterior.

▲ AVERTISMENT

Nu lăsați niciodată copiii sau persoanele nefamiliarizate cu aceste instrucțiuni să folosească produsul. Reglementările locale pot restricționa vârsta operatorului.

INSTRUIRE

- Citiți instrucțiunile cu atenție. Familiarizați-vă cu comenzile și folosirea corectă a produsului.
- Rețineți că operatorul sau utilizatorul este responsabil pentru accidentele sau pericolele ce pot avea loc asupra altor persoane sau proprietății lor.
- Nu folosiți niciodată produsul când sunteți oboșit, bolnav sau sub influența alcoolului, drogurilor sau medicamentelor.

PREGĂTIRE

- Unele regiuni au reglementări care restricționează utilizarea produsului la unele operațiuni. Pentru sfaturi întrebați autoritățile dvs. locale.
- Purtați protecție completă pentru auz tot timpul când operați acest produs. Această mașină este extrem de zgomotoasă și ar putea rezulta în surzenie dacă limita de expunere, reducerea zgomotului și purtarea de protecție a auzului nu sunt strict urmate.
- Purtați protecție completă pentru ochi tot timpul când operați acest produs. Producătorul recomandă cu hotărâre folosirea unei măști complete pentru față sau ochelari de protecție cu apărători laterale. Ochelarii normali sau cei de soare nu reprezintă o protecție corespunzătoare. Obiectele pot fi aruncate cu o viteză mare de către jetul puternic de aer în orice moment și pot să ricoșeze din suprafețele tari înspre operator.
- În timpul operării produsului purtați întotdeauna încălțăminte rezistentă și pantaloni lungi. Nu operați mașina când sunteți desculți sau purtați sandale deschise. Evitați să purtați de îmbrăcăminte largă sau care are cordoane sau șireturi libere.
- Nu purtați haine largi sau bijuterii ce pot fi atrase de admisia de aer. Prindeți părul lung deasupra umerilor pentru a preveni prinderea lui de părțile în mișcare.
- Asigurați-vă că înainte de fiecare folosire toate funcțiile de control și dispozitivele de siguranță funcționează corect. Nu folosiți produsul dacă întrerupătorul "oprit" nu oprește produsul.
- Operați produsul în poziția recomandată și doar pe o suprafață fermă și dreaptă.
- Nu folosiți mașina pe o suprafață pavată sau acoperită cu pietriș, unde materialul evacuat ar putea cauza vătămarea corporală.
- Înainte de fiecare folosire, inspectați întotdeauna carcasa de defecte. Asigurați-vă că apărătorii și mânerele sunt la locul lor și sunt strânse corespunzător. Înlocuiți componentele uzate sau deteriorate în seturi pentru a menține echilibrul. Înlocuiți etichetele deteriorate sau ilizibile.





- Nu utilizați niciodată mașina în timp ce în apropiere se află persoane, în special copii sau animale de companie.
- Țineți toate orificiile de intrare a aerului de răcire departe de moloz.
- Utilizați o greblă sau o mătură pentru a decompacta reziduurile înainte de a utiliza suflanta.
- Eliberați zona de lucru înainte de fiecare utilizare. Îndepărtați toate obiectele precum pietre, sticlă spartă, cuie, fire electrice sau fire ce pot fi aruncate la o distanță considerabilă de către aerul cu viteză mare.

▲ AVERTISMENT

Înainte de a utiliza produsul ca aspirator, trebuie să conectați țevile de aspirare superioară și inferioară. Aceasta este o operație care se efectuează o singură dată. Nu operați niciodată în modul aspirator montat doar cu tubul superior de aspirare. Riscul de vătămare personală este crescut semnificativ dacă nu urmați aceste avertizări.

FOLOSIREA ȘI ÎNTREȚINEREA MAȘINII CU ACUMULATOR

- Reîncărcați numai cu încărcătorul specificat de producător. Un încărcător destinat unui anumit tip de acumulator este folosit la încărcarea altor acumulatori există pericolul de incendii.
- Folosiți uneltele electrice numai cu acumulatorii indicați. Utilizarea oricărui altui acumulatori poate crea un risc de vătămare și de incendiu.
- Atunci când acumulatorul nu este în uz, păstrați-l departe de alte obiecte metalice, cum ar fi agrafe de birou, monede, chei, cuie, șuruburi sau alte obiecte metalice mici, care pot face o conexiune de la o bornă la alta. Scurtcircuitarea bornelor bateriei poate provoca arsuri sau incendiu.
- Ca urmare a folosirii necorespunzătoare, din acumulator se poate scurge lichid; evitați contactul cu acesta. În cazul unui contact accidental, spălați cu apă. În cazul contactului cu ochii, consultați suplimentar un medicul. Lichidul care iese din acumulator poate provoca iritații sau arsuri.
- Nu utilizați acumulatorii sau uneltele deteriorate sau modificate. Acumulatorii deteriorați sau

modificați au un comportament imprevizibil și prezintă pericol de incendiu, explozie sau accidentare.

- Nu expuneți acumulatorii sau uneltele la foc sau temperaturi excesive. Expunerea la foc sau temperaturi peste 130°C prezintă pericol de explozie.
- Respectați toate instrucțiunile de încărcare și nu încărcați acumulatorul sau uneltele la temperaturi din afara intervalului specificat în instrucțiuni. Încărcarea necorespunzătoare sau la o temperatură din afara intervalului specificat poate deteriora acumulatorul și crește riscul de incendiu.

UTILIZARE

- Înainte de pornirea produsului, asigurați-vă că este goală camera de alimentare.
- Țineți fața și corpul departe de deschiderea de alimentare.
- Operați mașina doar la ore rezonabile - nu dimineața devreme sau seara târziu când lumea ar putea fi deranjată.
- Nu operați niciodată produsul într-un mediu exploziv.
- Evitați folosirea produsului în condiții de vreme rea în special când există risc de fulgere.
- Nu utilizați în condiții de iluminare necorespunzătoare. Operatorul necesită o panoramă clară a zonei de lucru pentru identificarea potențialelor pericole.
- Operarea de aparate similare în vecinătate crește atât riscul unei deteriorări a auzului cât și posibilitatea ca alte persoane să intre în zona dvs. de lucru.
- Trebuie să stați întotdeauna într-o poziție stabilă pe pante. Mergeți. Nu alergați niciodată.
- Nu introduceți mâinile sau nicio altă parte a corpului sau hainele în interiorul camerei de alimentare, al jghebului de evacuare sau în apropierea oricărei piese în mișcare.
- Mențineți sprijin ferm pe picioare și echilibru. Nu vă aplecați excesiv. Aplecarea excesivă poate cauza pierderea echilibrului.
- Nu operați niciodată produsul cu apărătorile sau dispozitivele de protecție defecte, sau fără ele, de exemplu fără colectorul de resturi la locul său.

EN
FR
DE
ES
IT
NL
PT
DA
SV
FI
NO
RU
PL
CS
HU
RO

LV
LT
ET
HR
SL
SK
BG
UK
TR



- Nu modificați mașina în niciun fel sau să folosiți părți și accesorii ce nu sunt recomandate de către producător.

⚠ AVERTISMENT

Dacă produsul este scăpat, suferă un impact dur sau începe să vibreze anormal, opriți imediat produsul și inspectați dacă este deteriorat sau identificați cauza vibrației. Orice deteriorare trebuie reparată corespunzător sau înlocuită la un centru service autorizat.

- Pentru a reduce riscul de accidentare în urma contactului cu piesele în mișcare, opriți întotdeauna produsul atunci când nu îl utilizați și deconectați acumulatorul. Asigurați-vă că piesele în mișcare s-au oprit înainte de:
 - lăsarea produsului fără supraveghere
 - îndepărtarea blocajelor sau curățarea tubului de admisie
 - verificarea, curățarea sau repararea produsului
 - inspectia produsului după lovirea unui obiect străin
- Opriți echipamentul și scoateți imediat acumulatorul în cazul unui accident sau al unei defecțiuni. Nu utilizați din nou produsul înainte de a realiza o verificare completă, la un centru de service autorizat.

AVERTIZĂRI DE SIGURANȚĂ A APARATULUI DE SUFLAT

- În condiții de prezență a prafului, purtați o mască facială prevăzută cu filtru pentru a reduce riscurile asociate cu inhalarea prafului.
- Umeziți ușor suprafețele în condiții de praf.
- Nu folosiți mașina lângă ferestrele deschise.
- Folosiți prelungirea duzei de suflare a aerului în așa fel încât jetul de aer să ajungă aproape de sol și să funcționeze eficient.-
- Nu direcționați duza suflantei către persoane sau animale.
- Nu așezați niciodată obiecte în interiorul furtunelor aparatului de suflat.
- Nu așezați produsul pe grămezi de reziduuri sau lângă acestea. Resturile ar putea fi

aspirate în orificiul de admisie rezultând în posibila deteriorare a aparatului.

AVERTIZĂRI DE SIGURANȚĂ A APSPIRATORULUI

⚠ AVERTISMENT

Nu operați niciodată în modul aspirator montat doar cu tubul superior de aspirare. Neurmarea acestei avertizări crește riscul de vătămare personală.

NOTĂ: Pentru a avea acces facil la ventilator, scoateți tubul inferior de aspirare.

- Nu operați aspiratorul fără sacul de colectare a resturilor instalat. Resturile aruncate pot cauza vătămare gravă. Asigurați-vă că sacul de colectare a resturilor este în stare bună și că este complet închis înainte de operare.
- Mișcați produsul dintr-o parte în alta, pe marginea materialelor pe care le aspirați. Pentru a evita înfundarea, nu plasați tubul de aspirare direct în grămada de resturi.
- Țineți motorul mai sus decât capătul de admisie a tubului de aspirare.
- Pentru evitarea vătămării grave a operatorului sau a deteriorării aparatului, nu încercați să aspirați pietre, sticlă spartă, sticle sau alte obiecte similare.
- Evitați situațiile ce pot cauza incendiu în sacul de colectare a resturilor. Nu operați aparatul în apropierea unei flăcări deschise. Nu aspirați cenușă caldă din șemineuri, grătare, vreascuri etc. Nu aspirați resturi de țigară în cazul în care cenușa nu este complet răcită.
- Țineți toate părțile corpului la distanță de orice piesă în mișcare. Lamele rotorului în mișcare pot cauza rănirea gravă. Opriți motorul și asigurați-vă că lamele rotorului s-au oprit înainte de a deschide ușa aspiratorului, instalarea/schimbarea furtunelor, deschiderea sau îndepărtarea sacului cu resturi.
- Asigurați-vă că nu aspirați împreună cu reziduurile și bucăți de metal, piatră, sticlă, tablă sau alte materiale străine.
- Nu permiteți acumularea materialului procesat în zona de evacuare. Aceasta poate împiedica evacuarea corespunzătoare și poate duce la revenirea

materialului în admisie.

- Dacă în produs se blochează material aspirat, opriți motorul și scoateți acumulatorul înainte de a curăța resturile.

AVERTISMENTE SUPLIMENTARE PRIVIND SIGURANȚA LA UTILIZAREA BATERIILOR

⚠ AVERTISMENT

Pentru a reduce pericolul unui incendiu și evitarea rănilor sau deteriorarea produsului în urma unui scurtcircuit nu imersați scula, acumulatorul de schimb sau încărcătorul în lichide și asigurați-vă să nu pătrundă lichide în aparate și acumulatori. Lichidele corosive sau cu conductibilitate, precum apa sărată, anumite substanțe chimice și înălbitori sau produse ce conțin înălbitori, pot provoca un scurtcircuit.

TRANSPORTAREA ȘI DEPOZITAREA

- Opriți produsul, îndepărtați bateria și lăsați-l să se răcească înainte de depozitare sau transportare.
- Curățați toate materialele străine din produs. Depozitați-l într-un loc răcoros, uscat și bine aerisit ce este inaccesibil copiilor. Nu-l depozitați în apropiere de agenți corozivi cum ar fi produși chimici de grădinarit sau săruri antigel. Nu depozitați în aer liber.
- Pentru transportare, fixați produsul împotriva mișcării sau căderii pentru a preveni vătămarea persoanelor sau deteriorarea produsului.

TRANSPORTAREA BATERIILOR DE LITIU

Transportați bateriile în conformitate cu prevederile și reglementările locale și naționale.

Urmați toate cerințele speciale privind împachetarea și etichetarea atunci când transportați baterii către un terț. Asigurați-vă că nicio baterie nu poate să intre în contact cu alte baterii sau materiale conductive în timpul transportului prin protejarea conectorilor expuși cu bandă, capace izolatoare neconductive. Nu transportați bateriile ce sunt crăpate sau care au scurgeri. Verificați cu firma transportatoare pentru recomandări ulterioare.

ÎNTREȚINEREA

⚠ AVERTISMENT

Folositi doar piese de schimb, accesorii si atasamente originale ale producatorului Neurmarea acestora poate cauza posibilă vătămarea, slaba funcționare și ar putea anula garanția.

⚠ AVERTISMENT

Service-ul necesită atenție și cunoștințe deosebite și trebuie îndeplinit doar de către un tehnician service calificat. Pentru service, duceți produsul la un centru service autorizat. La efectuarea serviciului, folosiți doar piese de schimb originale ale producătorului.

- Nu faceți reglări sau reparații ce nu sunt descrise în acest manual. Pentru alte reparații sau sfaturi, căutați asistență din partea unui centru service autorizat.
- După fiecare folosire curățați produsul cu o cârpă moale și uscată.
- Verificați toate piulițele, suruburile la intervale frecvente de timp ca să fie corespunzător strânse pentru a vă asigura că produsul este în stare de lucru în siguranță. Orice piesă deteriorată trebuie să fie reparată în mod corespunzător sau înlocuită de un service autorizat.
- Duceți produsul la un centru service autorizat pentru a înlocui etichetele deteriorate sau ilizibile.

ELIBERAREA UNEI BLOCĂRI

- Pentru a reduce riscul asociat cu contactul cu părțile în mișcare, opriți întotdeauna produsul, scoateți acumulatorul și asigurați-vă că toate părțile în mișcare s-au oprit.
- Demontați tuburile pentru a căuta blocajul. Desfundați furtunile dacă e necesar.
- Îndepărtați sacul de colectare a resturilor. Verificați ca adaptorul sacului să nu fie obstrucționat.
- Inspectați deschizătura de la împrejmuirea ventilatorului și a furtunului până la sacul de colectare de blocaje. Rețineți, chiar dacă acumulatorul este îndepărtat, ventilatorul și lamele de toc are a compostului se pot mișca în timp ce curățați orice blocaj. Țineți

tot timpul degetele ferite de ventilator și lamele de tocare a compostului.

- Nu încercați să îndepărtați ventilatorul sau lamele de tocare. Dacă e necesar să îndepărtați ventilatorul sau lamele de tocare a compostului duceți produsul la un centru service autorizat.
- Reinstalați furtunele și sacul de colectare a resturilor înainte de a introduce acumulatorul și de a porni produsul.

RISCURI REZIDUALE

Chiar dacă produsul este folosit așa cum a fost prescris, este totuși imposibil să se elimine complet anumiți factori de risc reziduali. Următoarele pericole pot apărea în timpul folosirii și operatorul trebuie să acorde atenție specială pentru a evita următoarele:

- Vătămare cauzată de vibrație
 - Folosiți întotdeauna aparatul potrivit pentru o sarcină, folosiți mânerul destinat și folosiți cea mai mică viteză necesară pentru a finaliza sarcina.
- Expunerea la zgomot poate cauza vătmărea auzului.
 - Purtați protecție pentru auz și limitați expunerea.
- Pot apărea răni cauzate de zborul resturilor din tubul suflantei dacă sacul de colectare nu este montat adecvat sau este deteriorat
 - Purtați întotdeauna protecție pentru ochi.

REDUCEREA RISCULUI

S-a raportat faptul că vibrațiile produse de uneltele manuale pot contribui, la anumite persoane, la o afecțiune denumită Sindromul Raynaud. Simptomele pot include furnicături, amorțeală și albirea degetelor, care apare, de obicei, după expunerea la frig. Factori ereditari, expunerea la frig și umiditate, dieta, fumatul și practicile de muncă contribuie la dezvoltarea acestor simptome. Există măsurători care pot fi efectuate de către operator pentru a reduce efectele de vibrațiilor:

- Păstrați-vă temperatura corporală ridicată pe vreme rece. Când operați produsul purtați mănuși pentru a menține calde mâinile și încheieturile.
- După fiecare perioadă de operare, trebuie făcute exerciții pentru a crește circulația sângelui.

- Trebuie făcute pauze la intervale de timp regulate. Limitați expunerea zilnică.

Dacă sunt experimentate oricare dintre simptomele acestei afecțiuni, trebuie întreruptă utilizarea și consultat un medic.

⚠ AVERTISMENT

Pot fi cauzate sau agravate vătămările de la folosirea prelungită a aparatului. Atunci când folosiți o sculă pentru perioade prelungite, asigurați-vă că luați pauze regulate.

CUNOAȘTEȚI-VĂ PRODUSUL

Vezi pagina 161.

1. Mâner anterior
2. Mâner eliberare rapidă
3. Bretea pentru umăr
4. Manetă de control viteză de croazieră
5. Buton turbo
6. Mâner
7. Declanșator
8. Manetă de selectare mod suflantă/aspirator
9. Adaptor pentru sac
10. Sac aspirator
11. Tubul inferior al suflantei
12. Roți de ghidare
13. Tub de aspirare inferior
14. Tub de aspirare superior
15. Șurub blocare

SIMBOLURILE DE PE PRODUS



Citiți și înțelegeți toate instrucțiunile înainte operării produsului, urmați toate avertizările și instrucțiunile de siguranță.



Feriți-vă de obiecte proiectate sau în zbor. Țineți toți trecătorii, în special copiii și animalele de companie la cel puțin 15 metri de zona de operare.



Ventilatoare în rotire Țineți mâinile și picioarele în afara deschizăturilor cât timp produsul este în funcțiune.



Purtați protecție pentru urechi



Purtați întotdeauna ochelari de protecție



Nu expuneți la ploaie sau umezeală.



Nivelul garantat de putere al sunetului este de 99 dB



Accesoriu compatibil: RAC364



Decuplați acumulatorul înainte de a realiza orice fel de operație de întreținere sau reparație asupra produsului.



Trage: Gaică de eliberare rapidă



Acest aparat este conform cu ansamblul normelor reglementare din țara din UE în care a fost cumpărat.



Marcaj de conformitate EurAsian



Semn de conformitate ucrainean



Deșeurile produselor electrice nu trebuie să fie eliminate împreună cu deșeurile casnice. Vă rugăm să reciclați acolo unde există facilități. Verificați la autoritatea dvs locală sau la vânzător pentru sfaturi privind reciclarea.



Mod suflantă



Mod aspirator

SIMBOLURI DIN ACEST MANUAL



Notă



Avertisment



Piese sau accesorii vândute separat

Următoarele cuvinte simbol și înțelesul lor au intenția de a explica nivelele de risc asociate cu acest produs.

⚠ PERICOL

Indică o situație periculoasă iminentă, care dacă nu este evitată va cauza decesul sau vătămarea gravă.

⚠ AVERTISMENT

Indică o situație periculoasă iminentă, care dacă nu este evitată poate rezulta în deces sau vătămare gravă.

⚠ ATENȚIE

Indică o situație potențial periculoasă, care dacă nu este evitată poate cauza vătămarea moderată sau ușoară.

ATENȚIE

Fără a simbolul de alertă privind siguranța Indică o situație care poate duce la pagube materiale.

Drošība, sniegums un uzticamība ir galvenā prioritāte, izstrādājot bezvadu pūtēju/sūcēju.

PAREDZĒTAIS LIETOJUMS

Bezvadu pūtējs/vakuuma sūcējs ir paredzēts lietošanai tikai ārā, sausos un labi vēdinātos apstākļos.

Ierīce nav paredzēta bērniem vai cilvēkiem ar samazinātām fiziskām, garīgām spējām vai maņu kustību traucējumiem.

Ierīce ir paredzēta vieglu grūžu, tostarp lapu, zāles un citu dārza atkritumu, pūšanai un uzsūkšanai. Tas ir paredzēts drazu sasūkšanai, sasmalcināšanai un savākšanai somā.

Izstrādājums nav paredzēts ūdens vai citu šķidrumu savākšanai. Nelietojiet citiem mērķiem.

VISPĀRĪGIE DROŠĪBAS BRĪDINĀJUMI

▲ BRĪDINĀJUMS

Izlasiet visus drošības brīdinājumus un norādījumus. Brīdinājumu un norādījumu neizpildīšana var izraisīt elektrisko triecienu, aizdegšanos un/vai smagu ievainojumu. Brīdinājumus un instrukcijas saglabājiet turpmākai uzziņai.

▲ BRĪDINĀJUMS

Nekad neļaujiet bērniem vai personām, kas nav iepazinušās ar instrukcijām, izmantot precī. Vietos īstatymai gali apriboti ģrengimo operatoriaus amžiu.

APMĀCĪBA

- Uzmanīgi izlasiet norādījumus. Iepazīstieties ar ierīces vadīšanu un pareizu lietošanu.
- Turēkite omenyje, kad operatorius arba vartotojas yra atsakingas už nelaimingus atsitikimus arba kitiems asmenims ar jų turtui sukeltą pavojų.
- Nekad neizmantojiet produktu, kad esat noguris, slims vai alkohola, narkotiku vai medikamentu iespaidā.

SAGATAVOŠANA

- Dažos reģionos pastāv noteikumi, kas ierobežo darbības, kurām produkts ir

izmantojams. Vērsieties pie atbildīgajām amatpersonām pēc padoma.

- Ierīces izmantošanas laikā, vienmēr lietojiet ausu aizsargu. Ierīce ir ļoti skaļa un var radīt ilgstošus dzirdes traucējumus, ja neievērosiet drošības pasākumus, lai samazinātu trokšņu ietekmi uz savu dzirdi.
- Ierīces izmantošanas laikā, vienmēr lietojiet pilnu acu aizsargu. Ražotāji obligāti iesaka lietot pilnu sejas masku vai pilnībā noslēgtas aizsargbrilles. Parastās brilles vai saulesbrilles nevar tikt izmantotas aizsardzībai. Jebkurā brīdī gaisa strūkļas var izraisīt priekšmetu lidošanu lielā ātrumā, kā rezultātā tie var atlēkt no cietas virsmas un trāpīt strādniekam.
- Izmantojot ierīci, vienmēr lietojiet atbilstošus apavus un garās bikses. Neestrādājiet ar iekārtu, ja jums ir basas kājas vai vaļējas sandales. Nevelciet vaļīgu apģērbu vai apģērbu ar auklām un lentēm.
- Nevelciet brīvu apģērbu vai juvelierizstrādājumus, kas var tikt ierauti gaisa ieejā. Nostipriniet garus matus tā, lai tie ir vīrs plecu līmeņa, lai novērstu sapīšanos kustīgajās daļās.
- Pirms katras lietošanas reizes pārliecinieties, ka visas kontroles un drošības sistēmas ir darba kārtībā. Neizmantojiet ierīci, ja izslēgšanas slēdzis neapstādina motoru.
- Izmantojiet iekārtu norādītajā stāvoklī un tikai uz stabilas, līdzenas virsmas.
- Nelietojiet ierīci uz bruģētām vai grantētām virsmām, kur lidojoši priekšmeti var radīt ievainojumus.
- Pirms katras lietošanas reizes pārbaudiet, vai korpusam nav bojājumu. Pārliecinieties, ka aizsargi un rokturi ir vietā un pareizi nostiprināti. Nomainiet nodilušus vai bojātus elementus kā komplektu, lai saglabātu līdzsvaru. Nomainiet bojātas vai nesalasāmas uzlīmes.
- Nekad nelietojiet iekārtu, kamēr tuvumā atrodas cilvēki, it īpaši bērni, vai dzīvnieki.
- Dzesēšanas gaisa ieejas atveres nedrīkst būt aizsērējušas.
- Izmantojiet grābekļus un slotas drazu atbrīvošanai pirms pūtēja izmantošanas.
- Pirms katras izmantošanas attīriet darba zonu. No darba zonas aizvāciet tādus priekšmetus kā akmeņus, stikla lauskas,

naglas, vadus, vai auklas, un citus priekšmetus, kas saskarsmē ar liela ātruma gaisa plūsmu var tikt tālu aizpūsti.

▲ BRĪDINĀJUMS

Pirms izmantot izstrādājumu savākšanas režīmā, ir jāsaliek kopā augšējā un apakšējā sūkšanas caurules. Šī darbība ir nepieciešama tikai vienu reizi. Nekad neizmantojiet iesūkšanas režīmu tikai ar pielāgotu augšējo iesūkšanas cauruli. Ja jūs neievērojat šos brīdinājumus, personiskas traumas risks ļoti palielinās.

AR AKUMULATORU DARBINĀMU IERĪCU LIETOŠANA UN KOPŠANA

- Uzlādējiet tikai ar ražotāja noteikto lādētāju. Lādētājs, kas paredzēts lietošanai ar viena veida akumulatoru, var būt ugunsnedrošs, ja to izmanto ar citu akumulatoru.
- Lietojiet elektriskos instrumentus tikai ar konkrētajai ierīcei paredzēto akumulatoru. Jebkura cita akumulatora lietošana var radīt ievainojumu un ugunsgrēka risku.
- Kad nelietojat akumulatoru, neturiet to citu metāla priekšmetu tuvumā, piemēram: papīra saspraudes, monētas, atslēgas, naglas, skrūves vai citi sīki metāla priekšmeti, kas var veidot savienojumu starp spailēm. Akumulatora spaiļu īsslēgums var radīt aizdegšanos vai ugunsgrēku.
- Nepareizas rīcības gadījumā no akumulatora var izkļūt šķidrums; izvairieties no saskares ar to. Nejaušas saskares gadījumā skalojiet skarto vietu ar ūdeni. Ja šķidrums nokļūst acīs, nepieciešama arī medicīniskā palīdzība. No akumulatora izkļuvušais šķidrums var izraisīt kairinājumu vai apdegumus.
- Neizmantojiet akumulatoru bloku, kas ir bojāts vai pārveidots. Bojāts vai pārveidots akumulatoru bloks var izraisīt neparedzamu darbību, kas var izraisīt uzliesmošanu, sprādzienu vai ievainojumu risku.
- Nepakļaujiet akumulatoru bloku vai instrumentu liesmu vai paaugstinātas temperatūras iedarbībai. Pakļaujot liesmām vai paaugstinātai temperatūrai virs 130°C var izraisīt sprādzienu.
- Ievērojiet visas lādēšanas instrukcijas un nelādējiet akumulatoru bloku vai

instrumentu, ja temperatūra ir ārpus diapazona, kas norādīts instrukcijās. Nepareiza lādēšana vai lādēšana temperatūrā, kas ir ārpus norādītā diapazona, var izraisīt akumulatora bojājumus un palielināt uzliesmošanas risku.

EKSPLUATĀCIJA

- Pirms iekārtas iedarbināšanas, pārliecinieties, vai ievadvertne ir tukša.
- Netuviniet seju un ķermeni padeves atverei.
- Lietojiet ierīci saprātīgās dienas daļās – nelietojiet to agri no rīta vai vēlā naktī, kad jūs varat traucēt citiem cilvēkiem.
- Nelietojiet ierīci apstākļos, kur tā var uzsprāgt.
- Nelietojiet ierīci sliktos laika apstākļos, it īpaši, kad pastāv zibens riski.
- Nelietojiet sliktā apgaismojumā. Lietotājam jābūt pilnai redzamībai pār darba zonu, lai spētu identificēt iespējamus draudus.
- Līdzīgas ierīces izmantošana tuvumā palielina gan risku sabojāt dzirdi, gan iespēju, ka otrs cilvēks ieies jūsu darba zonā.
- Stipumā kājas vienmēr turiet stabilā pozīcijā. Ejiet, nekādā gadījumā neskrīniet.
- Nepieļaujiet roku vai citu ķermeņa daļu, kā arī apģērba iekļūšanu padeves kamerā, izlādes kamerā vai kustīgu detaļu tuvumā.
- Visada tvirtai stovēkite ir īslaikykite pusiausvyrā. Nepersitempkite. Persitempe galite prarasti pusiausvyrā.
- Nekad neizmantojiet ierīci ar bojātiem aizsargiem vai vairogiem vai arī bez drošības ierīcēm, piemēram, grūžu savācēja.
- Nepārveidojiet ierīci un nelietojiet detaļas un aksesuārus, kurus nav ieteicies ražotājs.

▲ BRĪDINĀJUMS

Ja ierīce tiek nomesta, tā ir saskārusies ar smagu triecienu vai tā sāk nevaldāmi vibrēt, nekavējoties izslēdziet ierīci un centieties atrast bojājumu vai arī cēloni šādai vibrācijai. Jebkāda tehniska apkope ir jāveic tikai autorizētos tehniskās apkopes centros.



- Lai samazinātu tādu ievainojumu risku, kas saistīti ar saskarsmi ar rotējošām daļām, vienmēr apturiet izstrādājumu un noņemiet akumulatoru bloku. Pārlicinieties, ka visas kustīgās daļas ir pilnīgi apstājušās pirms:
 - izstrādājuma atstāšana bez uzraudzības
 - tīrīt nosprostojumus vai izbērt maisu
 - izstrādājuma pārbaude un tīrīšana, darbs ar to
 - pārbaudīt izstrādājumu pēc sadursmes ar svešķermeņi
- Nekavējoties izslēdziet un noņemiet akumulatoru bloku negadījuma vai salūšanas gadījumā. Neizmantojiet izstrādājumu līdz tas nav pilnībā pārbaudīts pilnvarotā servisa centrā.

PŪTĒJA DROŠĪBAS BRĪDINĀJUMI

- Putekļainos apstākļos valkājiet sejas filtra masku, lai mazinātu traumu riskus saistībā ar putekļu ieelpošanu.
- Putekļainos apstākļos viegli samitriniet virsmas.
- Nedarbiniet mašīnu atvērtu logu tuvumā.
- Izmantojiet visu pūtēja sprauslas pagarinājumu, lai gaisa plūsma var darboties tuvu pie zemes un strādāt efektīvi.
- Nevērsiet pūtēja sprauslu cilvēku vai dzīvnieku virzienā.
- Nekādā gadījumā nelieciet priekšmetus pūtēja caurulēs.
- Nenovietojiet izstrādājumu uz dražu kaudzes vai tās tuvumā. Tie var tikt iesūkti gaisa padavē un sabojāt ierīci.

SŪCĒJA DROŠĪBAS BRĪDINĀJUMI

▲ BRĪDINĀJUMS

Nekad neizmantojiet iesūkšanas režīmu tikai ar pielāgotu augšējo iesūkšanas cauruli. Neievērojot šo brīdinājumu, palielinās risks gūt miesas bojājumus.

PIEZĪME: Kad apakšējā sūkšanas caurule ir noņemta, ir daudz vieglāk iesniegties iekšā atverē pie ventilatora spārnēm.

- Nedarbiniet putekļsūcēju bez uzstādīta grūžu savācējmaisa. Lidojoši grūžļi var radīt nopietnus miesas bojājumus. Pārlicinieties, ka atkritumu savācēja

maiss ir labā stāvoklī un pilnīgi aizvērts, pirms sākat darbu.

- Virziet izstrādājumu no vienas puses uz otru gar netīrās zonas ārējo malu. Lai novērstu aizsērējumu, nelieciet iesūkšanas cauruli iekšā grūžu kaudzē.
- Turiet motoru augstāk par iesūkšanas caurules ieeju.
- Lai izvairītos no ievainojumiem vai bojājumiem, nemēģiniet uzsūkt tādas priekšmetus kā akmeņi, stikla lauskas, pudeles, u.c. līdzīgus priekšmetus.
- Izvairieties no situācijām, kas var izraisīt aizdegšanos grūžu savācējmaisa. Nestrādājiet liesmu tuvumā. Nesūciet siltus pelnus no ugunsкура, šašliku ceptuvēm, žagaru kaudzēm utt. Nesūciet cigāru vai cigarešu izsmēķus, ja tie nav pilnībā atdzisuši.
- Turiet visas ķermeņa daļas tālu no visām kustīgajām detaļām. Rotējošas darbrata lāpstīņas var radīt nopietnas traumas. Izslēdziet dzinēju un pārlicinieties, ka lāpstīņriteņa asmeņi ir apstājušies, pirms sūcēja iepļūdes durvju atvēršanas, cauruļu ievietošanas vai maiņas, sūcēja somiņas atvēršanas vai noņemšanas.
- Savācot materiālu ar izstrādājumu, nodrošiniet, ka tas nesatur metāla gabalus, akmeņus, pudeles, bundžas vai citus svešķermeņus.
- Nelaujiet pārstrādātajam materiālam uzkrāties izmešanas zonā. Tas var traucēt pareizu izmešanu un izraisīt materiāla atmešanu atpakaļ caur padeves atveri.
- Ja izstrādājums nosprostojas, apturiet dzinēju un noņemiet akumulatoru, pirms atbrīvot nosprostojumu.

PAPILDU AKUMULATORU BLOKA DROŠĪBAS BRĪDINĀJUMI

▲ BRĪDINĀJUMS

Lai novērstu īssavienojuma izraisītu aizdegšanās, savainojumu vai produkta bojājuma risku, neiegremdējiet instrumentu, maināmo akumulatoru vai uzlādes ierīci šķidrums un rūpējieties par to, lai ierīcēs un akumulatoros neiekļūtu šķidrums. Koroziju izraisoši vai vadītspējīgi šķidrums, piemēram, sālsūdens, noteiktas ķīmikālijas, balinātāji vai produkti, kas satur balinātājus, var izraisīt īssavienojumu.



TRANSPORTĒŠANA UN UZGLABĀŠANA

- Apturiet precī, izņemiet bateriju un ļaujiet tai atdzist pirms noglabāšanas vai transportēšanas.
- Notīriet visus svešķermeņus no izstrādājuma. Uzglabājiet to vēsā, sausā un labi vēdinātā vietā, kurai nevar piekļūt bērni. Neglabājiet to vietā, kur tuvumā atrodas korozīvas vielas, piemēram dārza darbos izmantojamas ķīmikālijas vai atsaldēšanai domāta sāls. Neuzglabājiet ārpus telpām.
- Transportējot nostipriniet ierīci, lai tā nekustētos un neapgāztos, jo tas var izraisīt miesas bojājumus un ierīces bojājumus.

LITĪJA BATERIJU TRANSPORTĒŠANA

Transportējiet baterijas saskaņā ar vietējiem un valsts noteikumiem un regulām.

Ievērojiet visas īpašās prasības saistībā ar iepakojšanu un marķēšanu, transportējot trešās puses baterijas. Nodrošiniet, ka baterijas transportā nevar nonākt saskarē ar citām baterijām vai vadītspējīgiem materiāliem, aizsargājot atklātos savienotājus ar nevadošiem izolācijas vāciņiem vai lentēm. Netransportējiet iekļaušas baterijas vai baterijas, kurām ir noplūde. Lūdziet padomu kravu pārvadāšanas uzņēmumam.

APKOPE

⚠ BRĪDINĀJUMS

Lietojiet tikai oriģinālās ražotāja rezerves daļas, piederumus un uzgaļus. Pretējā gadījumā var tikt radīti ievainojumi un parādīts slikts sniegums, kā arī var tikt anulēta garantija.

⚠ BRĪDINĀJUMS

Aptarnavimā atlikti būtina itin atidzīai, tādēļ rekomenduoame, kad tehniņē apziūŗ vykdytų kvalifikuotas specialistas. Lai veiktu remontu, nogādājiet ierīci pilnvarotā servisa centrā. Veicot apkopi, lietojiet tikai oriģinālās ražotāja rezerves daļas.

- Neveiciet regulēšanu un remontdarbus, kas nav aprakstīti šajā rokasgrāmatā. Cita veida remontam vai konsultācijām, vērsieties pēc padoma autorizētā servisa centrā.

- Pēc katras lietošanas reizes notīriet precī ar mīkstu, sausu drāniņu.
- Regulāri pārbaudiet visus uzgriežņus, stiprinājumus un skrūves, lai pārliecinātos, ka tās ir cieši pievilktas un izstrādājums ir drošā darba stāvoklī. Jebkura bojāta detaļa jānodod remontam vai nomainītai pilnvarotā apkopes centrā.
- Nesiet precī uz pilnvarotu pakalpojumu centru, lai nomainītu bojātos vai nesalasāmās uzlīmes.

AIZSPROSTOJUMU ATTĪRĪŠANA

- Lai samazinātu risku gūt miesas bojājumus, nonākot saskarē ar rotējošām detaļām, vienmēr apturiet ierīci, izņemiet bateriju paketi un pārliecinieties, ka visas kustīgās detaļas ir apstājušās.
- Noņemiet pūtēja caurules, lai pārbaudītu nosprostojumus. Ja nepieciešams attīriet caurules.
- Noņemiet atkritumu savākšanas maisu. Pārbaudiet vai maisa adapteris nav aizsprostojies.
- Pārbaudiet darbību pie ventilatora korpusa un caurules pie atkritumu maisa, vai nav aizsprostojuma pazīmjū. Atcerieties, pat ja baterija ir noņemta, ventilators un mulčēšanas asmeņi var kustēties, tīrot aizsprostojumu. Rūpējieties, lai pirksti nekad neiekļūst ventilatorā un mulčēšanas asmeņos.
- Nemēģiniet noņemt ventilatoru vai mulčēšanas asmeni. Ja nepieciešams, noņemt ventilatoru un mulčēšanas asmeņus, nesiet precī uz pilnvarotu pakalpojumu centru.
- Vēlreiz uzstādiet caurules un atkritumu savākšanas maisu, pirms ievietojat bateriju un iedarbināt precī.

OBJEKTĪVIE RISKI

Pat ka prece ir lietotā kā noteikts, nav iespējams pilnībā novērst noteiktus riska faktorus. Lietošanas laikā var rasties šādas bīstamas situācijas, un lietotājam ir jāpievērš pastiprināta uzmanība, lai tās novērstu:

- Vibrācijas radīts ievainojums
 - Vienmēr izmantojiet darbam attiecīgo rīku, izmantojiet paredzētos rokturus un zemāko ātrumu, lai paveiktu uzdevumu.
- Saskarsme ar troksni var radīt dzirdes traucējumus.

- Valkājiet ausu aizsargu un ierobežojiet saskarsmi.
- Ievainojumi no lidojošiem priekšmetiem, kas tiek izpūsti no pūtēja caurules, ja nav uzstādīta dražu savākšanas soma, vai tā ir bojāta
 - Vienmēr nēsājiet acu aizsardzību.

RISKA SAMAZINĀŠANA

Ir ticis ziņots, ka vibrācijas no rokas instrumentiem atsevišķos cilvēkos var veicināt kaiti, ko sauc par Reino sindromu. Simptomi var ietvert pirkstu tīkšķēšanu, nejutīgumu un nobālēšanu, parasti aukstā laikā. Tiek uzskatīts, ka tradicionālie faktori, aukstums un mitrums, uzturs, smēķēšana un darba prakse sekmē šo simptomu attīstību. Operators var veikt pasākumus, lai iespējami samazinātu vibrācijas efektu:

- Aukstā laikā ķermenim jābūt siltam. Kad darbināt precī valkājiet cimdus, lai rokas un plaukstu locītavas būtu siltas.
- Ik pēc laika apturiet darbu un veiciet vingrinājumus, kas uzlabo asins cirkulāciju.
- Strādājot jābūt biežiem pārtraukumiem. Ierobežojiet iedarbības ilgumu dienā.

Ja jūs izjūtat kādu no šiem simptomiem, nekavējoties apturiet ierīces lietošanu un sazinieties ar ārstu par šiem simptomiem.

▲ BRĪDINĀJUMS

Ilgstoša preces lietošana var radīt ievainojumus vai pasliktināt jau esošos. Ilgstoši lietojot jebkuru instrumentu, pārliecinieties, ka tiek veikti regulāri pārtraukumi.

PAZĪSTIET SAVU IERĪCI

Skatīt 161. lappusi

1. Priekšējais rokturis
2. Ātrās atbrīvošanas rokturis
3. Plecu balsts
4. Ātruma uzturēšanas vadības svira
5. Turbo poga
6. Rokturis
7. Mēlīte
8. Pūšanas/vakuuma režīma pārslēgšanas svira
9. Somas adapters
10. Iesūkšanas soma.
11. Apakšējā pūtēja caurule

12. Papildus rīteņi
13. Apakšējā iesūkšanas caurule.
14. Augšējā iesūkšanas caurule.
15. Fiksācijas vītne

UZ PRECES ESOŠIE SIMBOLI



Pirms preces darbināšanas izlasiet un izprotiet visus norādījumus, ievērojiet visus brīdinājumus un drošības norādījumus.



Sargieties no izmestiem vai lidojošiem priekšmetiem. Rūpējieties, lai visi tuvumā stāvošie, īpaši bērni un dzīvnieki atrastos vismaz 15 m attālumā no darba zonas



Rotējoši ventilatori. Kamēr ierīce darbojas, turiet rokas un kājas prom no spraugām.



Lietojiet dzirdes aizsargus



Valkājiet acu aizsargaprīkojumu



Nepakļaujiet lietum vai mitriem apstākļiem.



Garantētais skaņas jaudas līmenis ir 99 dB.



Savietojams papildaprīkojums: RAC364



Noņemiet akumulatora bloku pirms veikt jebkādas darbus ar pūtēju.



Vilk: Ātrās atlaišanas cilpa



Darbarīks atbilst visām normām ES valstī, kurā tas ir iegādāts.



EurAsian atbilstības marķējums



Ukrainas apstiprinājuma zīme



Izlietotie elektroprodukti nedrīkst tikt izmesti kopā ar māsasaimniecības atkritumiem. Lūdzu, nododiet tos attiecīgajās atk ār totas izmantošanas vietās. Sazinieties ar savu vietējo varas pārstāvi vai izplatītāju, lai noskaidrotu, kur iespējama atkārtota pārstrāde.



Pūšanas režīms



Iesūkšanas režīms

SIMBOLI ŠAJĀ ROKASGRĀMATĀ



Piezīme



Brīdinājums



Atsevišķi nopērkamās daļas vai piederumi

Lai izskaidrotu risku, kas saistīti ar izstrādājumu, līmeni, paredzēti šādi norādījuma vārdi un jēdzieni.

⚠ BĪSTAMI

Norāda draudošo bīstamo situāciju, kas, ja no tās neizvairās, var novest pie nāves vai nopietnas traumas.

⚠ BRĪDINĀJUMS

Norāda potenciālo bīstamo situāciju, kas, ja no tās neizvairās, var novest pie nāves vai nopietnas traumas.

⚠ UZMANĪBU

Norāda potenciālo bīstamo situāciju, kas, ja no tās neizvairās, var novest pie nelielas vai vidējas traumas.

UZMANĪBU

Bez drošības brīdinājuma apzīmējuma Norāda uz situāciju, kas var radīt īpašuma bojājumus.

EN
FR
DE
ES
IT
NL
PT
DA
SV
FI
NO
RU
PL
CS
HU
RO
LV
LT
ET
HR
SL
SK
BG
UK
TR

Projektuojant belaidę lapų valymo nupučiant mašiną / siurbįj didžiausias prioritetas suteiktas saugai, eksploatacinėms savybėms ir patikimumui.

NAUDOJIMO PASKIRTIS

Belaidis nupūtimo/siurbimo prietaisas skirtas naudoti tik lauke, esant sausam orui ir geram apšvietimui.

Krūmapjovės negali naudoti vaikai ar asmenys su fiziniais, psichiniais ar jutiminiais sutrikimais.

Gaminys skirtas nupūsti lengvas sąnašas, įskaitant lapus, žolę ir kitas sodo atliekas. Jis skirtas siurbti ir mulčiuoti šiukšlėms, kurios surenkamos į specialų maišą.

Įrenginys nėra skirtas vandeniui ar kitiems skysčiams siurbti. Nenaudokite kitais tikslais.

BENDRIEJI SAUGOS ĮSPĖJIMAI

▲ ĮSPĖJIMAS

Perskaitykite visus saugos įspėjimus ir visą instrukciją. Įspėjimų ir instrukcijų nesilaikymas gali sukelti elektros smūgį, gaisrą ir (ar) rimtus sužeidimus. Saugokite šiuos įspėjimus ir nurodymus, kad galėtumėte vadovautis jais vėliau.

▲ ĮSPĖJIMAS

Šio gaminio jokia būdu negalima leisti naudoti vaikams ar asmenims, nesusipažinusiems su šiomis instrukcijomis. Vietos įstatymai gali apriboti įrengimo operatoriaus amžių.

APMOKYMAS

- Atidžiai perskaitykite instrukcijas. Gerai žinoti apie valdiklius ir tinkamą krūmapjovės naudojimą.
- Turėkite omenyje, kad operatorius arba vartotojas yra atsakingas už nelaimingus atsitikimus arba kitiems asmenims ar jų turtui sukeltą pavojų.
- Gaminio jokia būdu negalima naudoti pavargus, sergant ar apsvaigus nuo alkoholio, narkotinių medžiagų ar vaistų.

PARUOŠIMAS

- Kai kuriuose regionuose šio gaminio naudojimą tam tikriems darbams apriboja

galiojantys įstatymai. Kreipkitės patarimo į vietos įstaigą.

- Naudodami šią krūmapjovę, visada dėvėkite klausos apsaugą. Šis prietaisas veikia ypatingai triukšmingai, todėl griežtai nesilaikant atšargumo priemonių (t.y. riboti buvimą sveikatai žalingoje aplinkoje, sumažinti triukšmą ir dėvėti ausų apsaugos priemonės), galima nepagydomai pakenkti klausai.
- Naudodami šią krūmapjovę, visada dėvėkite pilną akių apsaugą. Gamintojas primygtinai rekomenduoja dėvėti viso veido kaukę ar prigludusius apsauginius akinius. Įprasti ar saulės akiniai nėra tinkama apsaugos priemonė. Galingas oro srautas bet kada gali išstūsti objektus dideliu greičiu ir jie gali atšokę rikošetu sužeisti operatorių.
- Naudodami krūmapjovę, būtinai dėvėkite tinkamą avalynę ir mūvėkite kelnes ilgomis klešnėmis. Nedirbkite su šiuo prietaisu neapsiavę arba avėdami atvirus sandalus. Nedėvėkite laisvų drabužių arba drabužių su kabančiais raišteliais arba virvelėmis.
- Nedėvėkite dukšlių drabužių ar papuošalų, kurie gali būti įtraukti į oro įleidimo angą. Ilgus plaukus reikia susegti virš pečių lygio, kad neįsipaointų į judančias dalis.
- Prieš kiekvieną naudojimą patikrinkite, ar tinkamai veikia visi valdikliai ir saugos įtaisai. Nenaudokite krūmapjovės, jeigu išjungimo jungikliu nepavyksta sustabdyti variklio.
- Gaminį reikia naudoti pastatytą į rekomenduojamą padėtį ir tik ant tvirto, lygaus paviršiaus.
- Prietaiso nenaudokite ant grįstos ar žvyro dangos, kur išmestos medžiagos gali sukelti sužeidimus.
- Kiekvieną kartą prieš naudojant, reikia patikrinti, ar nepažeistas korpusas. Patikrinkite, ar apsauginiai įtaisai ir rankenos sumontuotos ir tinkamai priveržtos. Siekiant išlaikyti įrankio pusiausvyrą, nusidėvėjusias ar pažeistas dalis pakeiskite. Pakeiskite pažeistas ar neįskaitomas etiketes.
- Niekada nenaudokite šio prietaiso šalia esant kitiems asmenims, gyvūnams, o ypač vaikams.
- Stebėkite, kad oro vėsinimo įsiurbimo

angos neužsikištų atliekomis.

- Prieš naudodami pūstuvą atlaisvinkite šiukšles grėbliu ir šluota.
- Prieš pradėdami darbą sutvarkykite darbo vietą. Pašalinkite visus daiktus, tokius kaip akmenys, stiklo duženos, vinys, vielos ar virvės, kurie gali būti toli nupūsti greito oro srauto.

▲ ĮSPĖJIMAS

Prieš naudojant įrenginį siurbimo režimu reikia sumontuoti viršutinį ir apatinį siurblio vamzdžius. Ši operacija atliekama tik vieną kartą. Jokiu būdu nenaudokite siurbimo įtaiso, jeigu sumontuotas tik viršutinis siurbimo vamzdis. Nesilaikant šio įspėjimo, gerokai padidėja traumų pavojus.

ĮRANKIO SU AKUMULIATORIUMI NAUDOJIMAS IR PRIEŽIŪRA

- Pakartotinai kraukite prietaisą tik naudodami gamintojo nurodytą kroviklį. Vieno tipo akumuliatoriui tinkantis įkroviklis gali kelti gaisro pavojų kitokiam akumuliatoriui.
- Elektrinius įrankius naudokite tik su jiems skirtais baterijų paketais. Naudojant kitokius akumuliatorius, galima susižeisti ar sukelti gaisrą.
- Kai akumuliatorius nenaudojamas, jį laikykite toliau nuo kitų metalinių daiktų, pavyzdžiui, sąvaržėlių, monetų, raktų, vinių, varžtų ar kitų mažų metalinių daiktų, kurie vieną gnybtą gali sujungti su kitu. Sutrumpinus vieną akumuliatoriaus gnybtą su kitu, galima nusideginti arba sukelti gaisrą.
- Netinkamomis sąlygomis iš akumuliatoriaus gali ištekėti skystis - nelieskite jo. Jei atsitiktinai prisilietėte - nuplaukite vandeniu. Jei skystis pateko į akis, papildomai kreipkitės į gydytoją. Iš akumuliatoriaus ištekėjęs skystis gali nudeginti ar sukelti sudirginimus.
- Nenaudokite akumuliatorių bloko ar įrankio, kuris yra sugadintas arba pakeistas. Sugadinti arba pakeisti akumuliatoriai gali veikti neprognozuojamai ir dėl to gali kilti gaisras, sprogimas arba pavojus susižaloti.
- Neleiskite, kad akumuliatorių blokas patektų į ugnį arba kad jį veiktų per didelė

temperatūra. Patekus į ugnį arba veikiant aukštesnei kaip 130°C temperatūrai gali kilti sprogimas.

- Laikykitės visų įkrovimo instrukcijų ir neįkraukite akumuliatorių bloko ar įrankio jei temperatūra yra už instrukcijose nurodyto diapazono ribų. Netinkamai įkraunant arba jei temperatūra yra už nurodyto diapazono ribų gali būti sugadinti akumuliatoriai ir padidėti gaisro pavojus.

EKSPLOATAVIMAS

- Prieš paleidžiant gaminį, reikia patikrinti, ar padavimo kamera tuščia.
- Veidas ir kūnas turi būti toliau nuo padavimo įleidimo angos.
- Naudokite prietaisą tik priimtinomis valandomis - ne anksti ryte ar vėlai vakare, kai jo skleidžiamas triukšmas gali drumsti žmonių ramybę.
- Jokiu būdu nenaudokite prietaiso sprogojeje aplinkoje.
- Stengtis nenaudoti krūmapjovės blogomis oro sąlygomis, ypač, kai yra žaibavimo pavojus.
- Dirbkite gerai apšviestoje aplinkoje. Kad pastebėtų galimus pavojus, prietaisu dirbančiam asmeniui turi būti sudarytos gero matomumo sąlygos.
- Netoliese naudojant panašius prietaisus padidėja pavojus pakenkti klausą ir galimybė kitiems asmenims patekti į darbo zoną.
- Nuolat atkreipkite dėmesį į stabilią stovėseną nuolaidžiose vietose. Visada eikite, niekada nebėkite.
- Stebėkite, kad prie padavimo kameros, išmetimo lataukų ar kitų judančių detalių nepatektų rankos, ar kitos kūno dalys, arba drabužiai.
- Visada tvirtai stovėkite ir išlaikykite pusiausvyrą. Nepersitempkite. Persitempę galite prarasti pusiausvyrą.
- Jokiu būdu nenaudokite krūmapjovės, jeigu apsauginiai įtaisai ar skydeliai pakenkti, arba be apsauginių įtaisų, pavyzdžiui, jei nėra sąnašų surinkimo įtaiso.
- Niekaip nemodifikuokite prietaiso ir nemontuokite dalių bei priedų, kurias naudoti nepataria gamintojas.

EN
FR
DE
ES
IT
NL
PT
DA
SV
FI
NO
RU
PL
CS
HU
RO
LV
LT
ET
HR
SL
SK
BG
UK
TR

▲ ĮSPĖJIMAS

Numetus krūmapjovę, jai stipriai susitrenkus ar pradėjus neįprastai vibruoti, ją reikia nedelsiant sustabdyti ir patikrinti, ar nepakenkta arba nustatyti vibravimo priežastį. Pakenktos dalys turi būti tinkamai sutaisytos arba pakeistos įgaliotame techninio aptarnavimo centre.

- Siekiant su mažinti susižalojimo pavojų, galintį kilti dėl sąlyčio su besisukančiomis dalimis, visada sustabdykite gaminį ir išimkite akumuliatorių bloką. Įsitinkite, kad visos judančios dalys sustojo, prieš:
 - gaminio palikimas be priežiūros
 - šalindami kamščius ar valydami lataką
 - tikrinimas, valymas arba darbas su gaminiu
 - tikrindami įrenginį jam atsitrenkus į kliūtį
- Atsitikus nelaimingam atsitikimui arba sugedus, nedelsdami išjunkite ir išimkite akumuliatorių bloką. Nenaudokite įrenginio tol, kol jis nebus išsamiai patikrintas įgaliotos techninės priežiūros centre.

NUPŪTIMO ORU PRIETAISO SAUGOS ĮSPĖJIMAI

- Esant dulkėms, dėvėkite kaukę nuo dulkių, kad dulkių įkvėpus sumažintumėte pavojų sveikatai.
- Kai valote dulkėtas vietas, šiek tiek sudrėkinkite valomus paviršius.
- Šio prietaiso nenaudokite prie atvirų langų.
- Ištieskite pūtimo įtaiso antgalį visu ilgiu, kad oro srovė pūstų arti žemės ir darbas būtų našus.
- Pūstuvo antgalio nenukreipkite į žmones ar gyvūnus.
- Jokiu būdu nedėkite daiktų į nupūtimo oru prietaiso vamzdžius.
- Nelaiykite įrenginio ant palaidų atliekų viršaus ar šalia jų. Prietaisas gali įtraukti sąnašas į įsiurbimo angą ir dėl to sugesti.

SIURBIMO PRIETAISO SAUGOS ĮSPĖJIMAI

▲ ĮSPĖJIMAS

Jokiu būdu nenaudokite siurbimo įtaiso, jeigu sumontuotas tik viršutinis siurbimo vamzdis. Nesilaikant šio įspėjimo, padidėja traumų pavojus.

PASTABA: Nuėmus apatinį siurblio vamzdį, galima daug lengviau pasiekti vamzdžio vidų arčiau ventiliatoriaus mentės.

- Nenaudokite dulkių siurblio be nuolaužų rinktuvo maišelio. Iššokusios nuolaužos gali sukelti sunkių sužeidimų. Prieš pradėdam darba reikia patikrinti, ar sąnašų surinkimo maišelis geros būklės ir visiškai uždarytas.
- Judinkite įrenginį nuo vieno šono į kitą palei išorinį šiukšlių kraštą. Kad įtaisas neužsikimštų, nedėkite siurbimo vamzdžio tiesiai ant sąnašų krūvos.
- Variklį laikykite aukščiau už siurbimo vamzdžio įleidimo galą.
- Kad nesusižeistų prietaisu dirbantis asmuo ir nepakenktų paties prietaiso, negalima siurbti akmenų, stiklo duženu, butelių ar pan. daiktų.
- Venkite situacijų, galinčių sukelti gaisrą nuolaužų rinktuvo maišelyje. Įrankio nenaudokite šalia atviros liepsnos. Nesiurbkite šiltų pelenų nuo židinio, lauko griliaus (angl. barbecue), sušluotos krūvos ir t. t. Nesiurbkite numestų cigarų ar cigarečių, išskyrus tuos atvejus, kai nuorūkos yra visiškai užgesintos.
- Stovėkite toliau nuo visų judančių įrankio detalių. Besisukantys diskinių rato peiliukai gali sukelti sunkius sužeidimus. Sustabdykite variklį ir prieš atidarydami siurblio dureles, montuodami ar keisdami vamzdžius, atidarydami ar išimdami sąnašų maišelį, patikrinkite, ar nebesisuka siurbliaračio mentės.
- Siurbdami medžiagas į įrenginį užtikrinkite, kad į jį nepatektų metalinių daiktų, akmenų, butelių, skardinių ar kitų netinkamų objektų.
- Neleiskite apdorotoms medžiagoms kauptis šalinimo srityje. Tai gali trukdyti tinkamam šalinimui, be to, galima medžiagų atranka pro įsiurbimo angą.

- Jei įrenginys užsikimšo, prieš valydami šiukšles išjunkite variklį ir išimkite akumuliatorių.

PAPILDOMI AKUMULIATORIAUS SAUGOS ĮSPĖJIMAI

▲ ĮSPĖJIMAS

Siekdami išvengti trumpojo jungimo sukeltą gaisro pavojų, sužalojimų arba produkto pažeidimų, neikiškite įrankio, keičiamo akumuliatoriaus arba įkroviklio į skysčius ir pasirūpinkite, kad į prietaisus arba akumuliatorių nepatektų jokių skysčių. Koroziją sukeltantys arba laidūs skysčiai, pvz., sūrus vanduo, tam tikri chemikalai ir balikliai arba produktai, kurių sudėtyje yra baliklių, gali sukelti trumpąjį jungimą.

GABENIMAS IR LAIKYMAS

- Prieš padedant į sandėlį ar transportuojant, gaminį reikia sustabdyti, išimti bateriją ir palikti, kol prietaisą atvės.
- Nuo įrankio nuvalykite visas pašalines medžiagas. Laikykite vėsioje, sausoje, gerai vėdinamoje ir vaikams nepasiekiamoje vietoje. Nelaikykite jo arti nuo tokių koroziją sukeltančių reagentų kaip cheminės sodininkystės medžiagos arba druskos, naudojamų prieš apledėjimą. Nelaikykite lauke.
- Paruošiant gabenimui, gaminį reikia pritvirtinti, kad nejudėtų ir nenuksitų, nes priešingu atveju jis gali sužaloti žmones arba sugesti pats.

LIČIO BATERIJŲ TRANSPORTAVIMAS

Akumuliatorių gabenkite pagal vietinius ir šalies reikalavimus bei nuostatas.

Akumuliatorius gabenant trečiajai šaliai būtina laikytis visų specialių reikalavimų, nurodytų pakuotėse ir etiketėse. Užtikrinkite, kad gabenimo metu nei vienas akumuliatorius nesiliestų su kitais akumuliatoriais arba laidžiosiomis medžiagomis – apsauginius jungiamuosius elementus uždenkite izoliacinėmis nelaidžiomis movomis arba juosta. Įskilusių ir tekančių akumuliatorių negabenkite. Dėl tolesnių patarimų kreipkitės į transporto įmonę.

PRIEŽIŪRA

▲ ĮSPĖJIMAS

Keitimui naudokite tik originalias gamintojo atsargines dalis. Neoriginalios dalys gali būti sužeidimų ir įrenginio blogo veikimo priežastis, ir dėl to gali būti anuliuotas garantinis pažymėjimas.

▲ ĮSPĖJIMAS

Aptarnavimą atlikti būtina itin atidžiai, todėl rekomenduojame, kad techninę apžiūrą vykdytų kvalifikuotas specialistas. Jei reikia atlikti techninio aptarnavimo darbus, nugabenkite gaminį į įgaliotą techninio aptarnavimo centrą. Atlikdami prietaiso techninę priežiūrą, keitimui naudokite tik originalias, prietaiso gamintojo atsargines dalis.

- Neatlikite šiame vadove nenurodytų reguliavimo veiksmų ar remonto darbų. Dėl kitų dalių taisymo ar pagalbos taisant reikia kreiptis į įgaliotą techninio aptarnavimo centrą.
- Po kiekvieno naudojimo, išvalykite įrenginį sausu švelnaus audinio gabalėliu.
- Dažnai tikrinkite visas varžles, varžtus ir sraigtus, ar jie tvirtai laikosi ir ar gaminyje yra saugios darbo būklės stovyje. Bet kurią apgadintą detalę leidžiama remontuoti arba keisti tik autorizuotame aptarnavimo centre.
- Prireikus pakeisti sugadintas ar neįskaitomas etiketes, gaminį reikia nugabenti į įgaliotą techninio aptarnavimo centrą.

UŽSIKIMŠUSIO GAMINIO VALYMAS

- Kad pavojus prisiliesti prie sukamųjų dalių būtų kuo mažesnis, būtina sustabdykite krūmaprovę, atjunkite iš maitinimo šaltinio ir patikrinkite, ar visos judamosios dalys visiškai sustoję.
- Nuimkite pūtimo vamzdžius ir patikrinkite, ar neužsikimšo. Jei vamzdeliai užsikimšę, iš jų reikia pašalinti kamščius.
- Reikia išimti sąnašų surinktųvės maišelį. Reikia patikrinti, ar maišelio adapteris neužsikimšęs.
- Reikia patikrinti ar neužsikimšusi

ventiliatoriaus įdėklo anga bei vamzdelis, pritvirtintas prie sąrašų maišelio. Reikia nepamiršti, kad net išėmus bateriją, šalinant kamščius gali pajudėti ventiliatoriaus ir mulčiavimo įtaiso geležtės. Jokių būdu negalima kišti pirštų arti mulčiavimo įtaiso geležčių.

- Negalima mėginti nuimti ventiliatoriaus ar mulčiavimo įtaiso geležtės. Jei vis dėlto būtina nuimti ventiliatoriaus ar mulčiavimo įtaiso geležtę, gaminį reikia nugabenti į įgaliotą techninio aptarnavimo centrą.
- Vamzdelius ir sąrašų surinktuvės maišelį reikia įdėti prieš įdedant baterijų paketą ir paleidžiant gaminį.

ŠALUTINIAI PAVOJAI

Net naudojant gaminį pagal nurodymus, neįmanoma visiškai atmesti visų pavojaus veiksnių. Gali kilti toliau nurodyti pavojai, todėl operatorius turi būti itin dėmesingas, kad išvengtų šių dalykų:

- Vibracijos sukeltas sužalojimas
 - Kiekvienam darbui būtina reikia parinkti tinkamą įrankį, naudoti specialiai skirtas rankenas ir dirbti kaip galima lėtesne eiga.
- Ilgai būnant triukšme, galima pakenkti klausai.
 - Dėvėkite akių apsaugą ir ribokite poveikio trukmę.
- Jei šiukšlių surinkimo maišas neuždėtas arba sugadintas, iš pūstuvo vamzdžio skriejantys objektai gali sužeisti
 - Būtina dėvėti akių apsaugą.

RIZIKOS MAŽINIMAS

Turime pranešimų, kad vibracija nuo ranka laikomų įrankių kai kuriems asmenims gali turėti neigiamos įtakos vystantis Raynaud sindromui. Šios ligos požymiai yra pirštų dilgčiojimas, nutirpimas ir pabalimas, paprastai pasireiškiantis nuo šalčio. Šie simptomai vystosi dėl paveldimų veiksnių, nesisaugant nuo šalčio ir drėgmės, dėl mitybos, rūkymo ir darbo praktikos. Operatorius gali imtis šių priemonių, kurios gali sumažinti vibracijos poveikį:

- Apsirenkite kuo šilčiau šaltu oru. Naudojant gaminį, reikia mūvėti pirštines, kad plaštakos ir riešai neatšaltų.
- po darbo kiekvieną kartą pasportuokite, kad pagerėtų kraujo apytaka;

- dažnai darykite darbo pertraukas. Apribokite darbo laikotarpį per dieną.

Jei jums pasireiškia kokie nors šios būklės simptomai, nedelsdami nutraukite darbą ir kreipkitės į gydytoją.

⚠ ĮSPĖJIMAS

Ilgiau naudojant, įrankis kelia sužeidimų pavojų ir apsunkina darbą. Ilgiau naudojant įrankius, reikia reguliariai daryti pertraukas.

PAŽINKITE SAVO GRANDININĮ PJŪKLĄ

Žr. 161 psl.

1. Priekinė rankena
2. Greitojo atlaisvinimo rankena
3. Perpetinio diržo paminkštinimas
4. Eigos valdymo svirtis
5. Turbinos mygtukas
6. Rankena
7. Perjungiklis
8. Pūtko / siurblio režimo parinkimo svirtis
9. Blogas adapteris
10. Siurbimo įtaiso maišas
11. Apatinis pūstuvo vamzdis
12. Kreipiamieji ratukai
13. Apatinis siurbimo vamzdis
14. Viršutinis siurbimo vamzdis
15. Fiksatoriaus sriegis

SIMBOLIAI ANT ĮRENGINIO



Prieš naudodami įrenginį, atidžiai perskaitykite instrukcijas, laikykitės įspėjimų ir saugos nurodymų.



Saugokitės išmetamų arba skrendančių objektų. Visi pašaliniai asmenys, ypač vaikai ir naminiai gyvūnai, turi būti ne arčiau kaip 15 m nuo darbo vietos.



Sukamieji ventiliatoriai. Kai krūmapjovė veikia, laikykite rankas ir kojas atokiai nuo angų.



Dėvėkite ausų apsaugos priemones



Dėvėkite apsauginius akinius



Nenaudoti lyjant ar esant drėgnoms sąlygoms.



Garantuojama garso galia yra 99 dB



Suderinamas priedas:
RAC364



Prieš pradėdami bet kokius darbus gaminyje išimkite akumuliatorių bloką.



Traukti: Greito atleidimo fiksatorius



Šis prietaisas atitinka visas reglamentuotas normas ES šalies, kur jis buvo nupirktas.



„EurAsian“ atitikties ženklas



Ukrainos atitikties ženklas



Elektrinių produktų atliekos neturi būti metamos kartu su namų ūkio atliekomis. Prašomė perdirbkite jas ten, kur yra tokios perdirbimo bazės. Dėl perdirbimo patarimo kreipkitės į savo vietinę savivaldybę ar pardavėją.



Pūtiko režimas



Siurbimo režimas

SIMBOLIAI VADOVE



Pastaba



Įspėjimas!



Detalės arba priedai yra parduodami atskirai

Šie signaliniai žodžiai yra skirti nurodyti su prietaisu naudojimu susijusio pavojaus lygį.

⚠ PAVOJUS

Reiškia ypač pavojingą padėtį, kurios neišvengus bus patirti sunkūs ar net mirtini sužeidimai.

⚠ ĮSPĖJIMAS

Reiškia potencialiai pavojingą situaciją, kurios neišvengus galimi sunkūs ar net mirtini sužeidimai.

⚠ ATSARGIAI

Reiškia potencialiai pavojingą situaciją, kurios neišvengus galimi lengvi ar vidutinio sunkumo sužeidimai.

ATSARGIAI

Be įspėjamųjų simbolių
Reiškia nuosavybės žalos tikimybę.



Akutoitega puhuri/imuri konstrueerimisel on peaesmärgiks olnud toote ohutus, tootlikkus ja töökindlus.

OTSTARBEKOHANE KASUTAMINE

See akutoitega puhur-imur on ette nähtud kasutamiseks vaid väljaspool ruume, kuivas ja hästi valgustatud kohas.

Seade ei ole ette nähtud kasutamiseks laste või nende isikute poolt, kellel on piiratud füüsilised, vaimsed või sensoorsed võimed.

Seade on ette nähtud vaid kerge prahi, näiteks lehed, rohi ja muu aiaprügi ärapuhumiseks ning imemiseks. See on mõeldud prügi imemiseks ja multsimiseks ning kogumiskotti kogumiseks.

Toode ei ole mõeldud vee või teiste vedelike imemiseks. Ärge kasutage ühekski muuks otstarbeks.

OHUTUSE ÜLDESKIRJAD

⚠ HOIATUS

Lugege kõik ohuhoiatused ja juhised läbi. Hoiatuste ja juhiste eiramisel on oht saada elektrilööki või raskeid kehavigastusi ning/või põhjustada tulekahju. Hoidke kõik hoiatused ja juhised tulevikus vaatamiseks alles.

⚠ HOIATUS

Ärge laske kultivaatorit kasutada lastel ega neil, kes ei ole käesoleva juhendiga tutvunud. Kohalikud regulatsioonid võivad seada kasutaja vanusele piiranguid.

VÄLJAÕPE

- Lugege juhised hoolikalt läbi. Õppige tundma kõiki seadme juhtseadiseid ja kasutusnõudeid.
- Pidage meeles, et operaator või kasutaja on vastutav õnnetuste või ohuolukordade eest, mis võivad puudutada teisi inimesi või nende vara.
- Ärge kasutage kultivaatorit väsinuna või haigena ega siis, kui olete uimastite, alkoholi või ravimite mõju all.

ETTEVALMISTUSTOIMINGUD

- Mõnedes piirkondades on seadused, mis piiravad toote kasutamist teatud tööde tegemiseks. Lisateavet saate kohalikust omavalitsusest.
- Kandke selle seadme kasutamisel alati kuulmiskaitseid ja kaitseprille. See seade on väga müürarikas ja kui täpselt ei järgita ettenähtud piiranguid müraga kokkupuute ja müravähenduse osas või ei kasutata kuulmiskaitsevahendeid, võib põhjustada püsiva kuulmiskahjustuse.
- Kandke selle seadme kasutamise ajal alati silmakaitsevahendeid. Tootja soovitab kasutada igal juhul näomaski või külgkaitsega silmamaski. Tavalised kaitseprillid või päikesepillid ei ole nõuetekohased kaitsevahendid. Objektid võivad võimsa õhujoa toimel suurel kiirusel igal hetkel välja lennata ja võivad kõvadelt pindadelt pörkuda operaatori suunas.
- Kandke seadmega töötamisel kinniseid jalanõusid ja pikki pükse. Ärge kasutage seadet paljajalu ega kandke töötamise ajal lahtisi sandaale. Vältige selliste riiete kandmist, mis on lõdvad või millel on paelad või sidemed.
- Ärge kandke lõtvu riietusesemed või ehteid, mida võidakse tõmmata õhu sissevõtuavasse. Kinnitage pikad juuksed õlgadest kõrgemale, et vältida nende takerdumist liikuvate osade vahele.
- Enne seadme kasutamise alustamist veenduge, et kõik juht- ja ohutusseadised töötavad nõuetekohaselt. Kui seade nupule OFF vajutamisel välja ei lülitu, ärge hakake tööriista kasutama.
- Kasutage seadet soovitatud asendis ja töötage ainult tugeval horisontaalsel pinnal.
- Ärge kasutage masinat sillutatud või kruusaga kaetud pinnal, kus väljalastav materjal võib põhjustada vigastusi.
- Enne iga kasutuskorda kontrollige korpus üle vigastuste suhtes. Veenduge, et kaitsekatte ja käepidemed on oma kohtadel ja nõuetekohaselt kinnitatud. Ärakulunud ja vigastatud osad tuleb asendada komplektis, et säilitada tasakaalustatus. Asendage vigastatud või mitteltoetavad sildid.
- Ärge kasutage seadet, kui läheduses on teisi inimesi, eriti lapsi või lemmikloomi.



- Hoidke jahutusõhu pilud prahist puhtad.
- Kasutage enne puhumist reha ja luuda, et prügi oleks lahtine.
- Enne töö alustamist tuleb tööpiirkond alati korrastada. Eemaldage tööpiirkonnast kõik esemed, nagu kivid, klaasikillud, naelad, juhtmed või nõõrid, mis võivad suure ohuvoolu tõttu kaugele välja paiskuda.

⚠ HOIATUS

Enne toote kasutamist imurina peab kokku ühendama ülemise ja alumise imuritoru. See on ühekordne toiming. Ärge kunagi kasutage imemist kui on paigaldatud vaid ülemine imitoru. Kehavigastuse oht suureneb märgatavalt kui seda hoiatust eiratakse.

AKUTÖÖRIISTA KASUTAMINE JA KOR-RASHOID

- Laadige akut ainult tootja poolt ettenähtud laadijaga. Akulaadiaja, mis sobib ühele akupaketile võib põhjustada tulekahju, kui seda kasutada teise akupaketiga.
- Kasutage akutööriista ainult selleks ettenähtud akudega. Muude akupaketide kasutamine võib põhjustada kehavigastusi või tulekahju.
- Sel ajal kui akupakett ei ole kasutusel, hoidke seda eemal metallesemetest nagu kirjaklambrid, mündid, võtmed, naelad, kruvid ja muudest väikestest metallobjektidest, mis võivad akuklemmid lühistada. Aku klemmide lühistamine võib põhjustada põletust või tulekahju.
- Aku vale kasutamise korral võib akuvedelik välja voolata - vältige sellega kokkupuudet. Akuvedeliku nahale sattumisel peske see veega maha. Akuvedeliku silma sattumisel pöörduge arsti poole. Väljapritsv akuvvedelik võib tekitada nahaärritust või -põletust.
- Ärge kasutage vigast või ümbertehtud akut ega tööriista. Vigased või ümbertehtud akud võivad toimida ettearvamatult, mille tagajärjeks on tulekahju, plahvatus või vigastuste oht.
- Ärge jätke akut või tööriista tule lähedale ega liiga kõrge temperatuuri kätte. Tuli või temperatuur üle 130°C võib põhjustada plahvatust.

- Järgige kõiki laadimisjuhiseid ning ärge laadige akut ega tööriista väljaspool juhistes määratletud temperatuurivahemikku. Vale laadimine või laadimine väljaspool määratletud temperatuurivahemikku võib akut rikkuda ja suurendada tulekahju ohtu.

KASUTAMINE

- Enne seadme käivitamist veenduge, et etteandemuuk on tühi.
- Hoidke oma nägu ja keha eemal toiteavast.
- Töötage masinaga ainult mõistlikul kellaajal, mitte aga varahommikul, hilisõhtul või öösel, kui see võib teisi inimesi häirida.
- Ärge kunagi kasutage seadet plahvatusohtlikus keskkonnas.
- Vältige seadme kasutamist halva ilmaga, eriti siis kui on äikese oht.
- Ärge kasutage seadet halva valgustatuse korral. Töötajal peab tööpiirkonnale olema selge väljavaade, et tuvastada võimalikud ohud.
- Mitme sarnase seadme töötamisel samas piirkonnas suurendab kuulmiskahjustuse riski töötajal ja inimestel, kes tööpiirkonda sisenevad.
- Kallakul töötamisel tagage endale kindel jalgealune. Töötamisel kõndige, ärge kunagi jookske.
- Ärge laske käsi ega muid kehaosasid või riietusesemeid etteandekambrisse, väljalaskerenni ega liikuvate osade lähedusse sattuda.
- Hoidke kindlat jalgade asendit ja tasakaalu. Ärge kummardage. Kummardamine võib põhjustada tasakaalu kadumist.
- Ärge kasutage seadet, mille kaitsed või katted on vigastatud või ilma kaitseseadisteta, näiteks ilma prahikogurita.
- Ärge püüdke seadme konstruktsiooni mingil viisil muuta ega kasutage varuosi või tarvikud, mis pole tootja poolt soovitatud.

⚠ HOIATUS

Kui seade on maha kukkunud, saanud tugeva löögi või hakkab ebanormaalselt vibreerima, seisake seade viivitamatult ja kontrollige see üle vigastuste suhtes. Kõik vigastused tuleb lasta volitatud hooldustöökojas parandada või asendada.



- Et vähendada pöörlevate osadega kokkupuutumisest tingitud vigastuste ohtu, peatage alati toode ja eemaldage aku. Veenduge, et kõik liikuvad osad on täielikult peatunud enne:
 - toote jätmisel järelevalveta
 - blokeeringute puhastamist või liugtoru ummistuste kõrvaldamist
 - toote kontrollimist, puhastamist või remontimist
 - võõrkehaga kokkupuutunud toote kontrollimist
- Õnnetuse või rikke korral lülitage tööriist otsekohe välja ja eemaldage akud. Ärge kasutage tööriista enne, kui see on volitatud parandustöökojas põhjalikult kontrollitud.

PUHURI OHUTUSJUHISED

- Tolmustes tingimustes töötamisel kandke respiraatorit, et vähendada tolmu sissehingamisest põhjustatud tervisekahjustusi.
- Tolmuses kohas niisutage pindasid.
- Ärge kasutage seadet avatud akende läheduses.
- Pikendage puhuri toru sellise pikkuseni, mille puhul saate õhku puhuda maapinna lähedal ja tõhusalt töötada.
- Ärge mingil juhul suunake puhuri otsakut inimeste või lemmikloomade suunas.
- Ärge pange mingeid esemeid puhuri toru sisse.
- Ärge asetage toodet lahtise prügi peale ega lähedale. Praht võidakse imeda ventilaatori sissetõmbeavadesse ja see võib põhjustada seadme vigastumise.

IMURI OHUTUSJUHISED

▲ HOIATUS

Ärge kunagi kasutage imemist kui on paigaldatud vaid ülemine imitoru. Selle nõude eiramine võib suurendada kehavigastuse ohtu.

MÄRKUS: Palju lihtsam on jõuda toru sees tiiviku terani, kui alumine imuritoru ei ole külge monteeritud.

- Ärge kasutage seadet imemiseks kui kogumiskott on paigaldamata. Lendav

prügi võib põhjustada kehavigastusi. Enne seadme kasutamist veenduge, et kogumiskott on heas töökorras ja on täielikult suletud.

- Liigutage toodet küljelt-küljele mööda prüghunniku välisserva. Ummistumise vältimiseks ärge pange imitoru vahetult prahihunniku sisse.
- Hoidke mootorit kõrgemal kui imitoru sisendots.
- Kasutajale kehavigastuste ja seadme vigastuste vältimiseks ärge püüdke sisse imeda kive, klaasikilde, pudeleid ega teisi sarnaseid esemeid.
- Vältige olukordi, mis põhjustavad kogumiskotis oleva prahi süttimise. Ärge kasutage seadet lahtise leegi läheduses. Ärge kasutage seadet tuha eemaldamiseks kaminast, grillahjust, lõkkeasemelt jne. Ärge imege mahavisatud sigarette enne kui tuhk on täielikult maha jahtunud.
- Hoidke kõik kehaosad liikuvatest osadest eemal. Pöörleva tiiviku labad võivad põhjustada raske kehavigastuse. Enne imiava katte avamist, torude paigaldamist/ vahetamist või prahikoti eemaldamist seisake mootor ja veenduge, et tiiviku labad on seiskunud.
- Materjali tootesse imamisel kontrollige, et sinna ei satuks metallitükke, kive, pudeleid, purke või teisi võõrkehaseid.
- Ärge lubage töödeldud materjalil koguneda väljalaske tsooni. See võib takistada õiget väljalaskmist ja põhjustada materjali tagasilöögi läbi sissetõmbeava.
- Kui tootes tekib ummistus, peatage mootor ja eemaldage akupakett, enne kui hakkate prügi eemaldama.

AKU LISAOHUTUSJUHISED

▲ HOIATUS

Lühisest põhjustatud tuleohtu, vigastuste või toote kahjustuste vältimiseks ärge kastke tööriista, vahetusakut ega laadimiseadet vedelikku ning jälgige, et vedelikke ei tungiks seadmetesse ega akusse. Korrodeeruvad või elektrit juhtivad vedelikud, nagu soolvesi, teatud kemikaalid ja pleegitusained või pleegitusaineid sisaldavad tooted, võivad põhjustada lühist.



TRANSPORTIMINE JA HOIUSTAMINE

- Enne hoiule panekut või teiseldamist seisake mootor, võtke aku välja ja laske jahtuda.
- Puhastage seade kõikidest võõrkehast. Hoidke kuivas ja hästi ventileeritud kohas, mis on lastele juurdepääsmatu. Hoidke kettsaagi eemal söövitavatest ainetest nagu aiakemikaalid ja jäätõrjevahendid. Ärge hoiustage õues.
- Vedamise ajal tõkestage kultivaator liikuma hakkamise ja alla kukkumise vastu, et vältida kehavigastusi ja masinaosade kahjustamist.

LIITUMAKUDE TEISALDAMINE

Akude transportimisel juhinduge kasutuskohas kehtivatest riiklikest määrustest ja eeskirjadest.

Akude transportimisel allettevõtjate poolt järgige kõiki pakkimise ja tähistamise erinõudeid. Veenduge, et akud ei satu kokkupuutese teiste akude ega voolu juhtivate materjalidega, kui avatud klemmid on transportimise ajal kaitstud voolu mittejuhtivate isoleerikorkide või teibiga. Ärge transportige pragunenud või lekkivaid akusid. Küsige lisateavet transportettevõttelt.

HOOLDUS

▲ HOIATUS

Kasutage ainult tootja originaalvaruosi, tarvikuid ja tööorganeid. Selle nõude eiramine võib põhjustada, kehavigastuse, tootluse languse ja teile antud garantii tühistamise.

▲ HOIATUS

Hooldamine nõuab ülimalt korrashoitu ja teadmisi ning tuleks teostada ainult kvalifitseeritud hooldustehnikute poolt. Hoolduseks andke seade volitatud hoolduskeskusesse. Muruniiduki hooldamisel kasutage ainult tootja originaalvaruosi.

- Ärge tehke reguleerimis- või remonditöid, mida selles kasutusjuhendis kirjeldatud pole. Muude remonditööde tellimiseks ja abi saamiseks pöörduge volitatud hoolduskeskusesse.

- Pühkige trimmer pärast iga kasutuskorda pehme kuiva lapiga puhtaks.
- Kontrollige kõiki mutreid, polte ja kruvisid sagedaste intervallidega õige pinguloleku suhtes, et veenduda toote ohutus töökorras olemises. Vigastatud osad tuleb lasta pädeval hooldajal parandada või asendada.
- Pöörduge vigastatud ja loetamatute kleebiste asendamiseks volitatud hoolduskeskuse poole.

UMMISTUSE KÕRVALDAMINE

- Pöörlevate osadega kokkupuutumisest tingitud kehavigastuste vähendamiseks seisake seade, eemaldage akupakett ja veenduge liikuvate osade seiskumises.
- Ummistuse kontrollimiseks eemaldage puhuritõrud. Vajaduse korral puhastage torud.
- Eemaldage kogumiskotist praht. Kontrollige, et koti kinniti on ummistusevaba.
- Ummistuse avastamisel vaadake üle ventilaatori korpuse avaus ja prahikogumiskotti suubuva toru avaus. Pidage meeles, et isegi siis, kui aku on eemaldatud, võivad ventilaator ja multšimisterad ummistumise kõrvaldamise ajal liikuda. Hoidke oma sõrmed ventilaatorist ja multšimisteradest kogu aeg eemal.
- Ärge püüdke ventilaatorit ja multšimistera eemaldada. Kui ventilaator või multšimisterad on vaja eemaldada, andke seade volitatud hoolduskeskusesse.
- Paigaldage torud ja prahikogumiskott enne akupaketi sissepanekut ja seadmega töötamise alustamist.

JÄÄKRISKID

Isegi siis, kui kultivaatorit kasutatakse kirjeldatud viisil, ei ole võimalik kõrvaldada kõiki jääkriskide mõjureid. Töötamise ajal võivad tekkida järgmised ohud, millele operaator peab pöörama erilist tähelepanu.

- Vibratsioonist põhjustatud kehavigastus
 - Kasutage töötamiseks õiget seadet, kasutage ettenähtud käepidemeid ja töötage töö tegemist võimaldava võimalikult madalal kiirusel.
- Tugev müra võib põhjustada kuulmiskahjustuse.

- Kandke kuulmiskaitsevahendeid ja piirake müraga kokkupuudet.
- Puhuritoru õhuvoolust lenduvate esemete põhjustatud vigastus, kui prügi kogumiskott ei ole paigaldatud või on kahjustatud
 - Kandke alati silmakaitsevahendeid.

RISKI ALANDAMINE

Teadavaolt võib käsitööriistade kasutamine põhjustada mõnedel inimestel seisundit, mida nimetatakse Raynaud' sündroomiks. Sümptomidena võib ilmnedä sõrmede tuimus ja valkjaks muutumine, mis tavaliselt ilmneb külmas töötamisel. Nende sümptomite puhul tuleb hoiduda külmast ja niiskusest, dieedist ning suitsetamisest ja kasutada õigeid töövõtteid. Vibratsiooni mõju vähendamiseks tuleb rakendada järgmisi abinõusid.

- Külma ilmaga hoidke oma keha soe. Kandke kindaid, et hoida oma käed ja randmed soojad.
- Pärast külmas töötamist tehke harjutusi, et verevarustust kiirendada.
- Tehke regulaarselt töovaheaegasid. Piirake tööperioodi pikkust.

Kui ilmnevad haigustunnused, lõpetage kohe töö ja pöörduge arsti poole.

⚠ HOIATUS

Seadme pikaajalisel kasutamisel võite saada kehavigastusi ja varasemad vigastused võivad süveneda. Seadme kasutamisel pika aja jooksul tuleb teha korralisi vaheaegasid.

ÕPPIGE OMA TOODET TUNDMA

Vt leht 161.

1. Eesmine käepide
2. Kiirvabastuskäepide
3. Õlapadi
4. Püsi kiiruse hoob
5. Turbo nupp
6. Käepide
7. Päästik
8. Puhumis-/imemisrežiimi valimishoob
9. Koti adapter
10. Kogumiskott
11. Alumine puhuritoru
12. Juhtrattad
13. Alumine imitoru
14. Ülemine imitoru
15. Luku keere

MASINAL OLEVAD SÜMBOLID



Enne seadmega töö alustamist lugege kõik juhised hoolikalt läbi ja pidage kinni hoiatustest ja ohutusega seotud juhistest.



Hoiduge ülespaisatud ja lendavate esemete eest. Hoidke kõik kõrvalseisjad, eriti lapsed ja lemmikloomad tööalalt vähemalt 15 meetri kaugusele.



Pöörlevad ventilaatorid. Kui seade töötab, siis hoidke oma käed ja jalad avast eemale.



Kandke kuulmiskaitsevahendeid



Kandke silmakaitsevahendeid



Ärge jätke vhma kätte või kasutage niiskes kohas.



Garanteeritud helivõimsuse tase on 99 dB



Ühilduv tarvik: RAC364



Enne mistahes tööde tegemist toote kallal võtke aku välja.



Tõmba: Kiirühenduse fiksaator



Vastab kõigile eeskirjadele EL-i liikmesriigis, kus toode on ostenud.



Euraasia vastavusmärk



Ukraina vastavusmärgis



Mittekasutatavaid elektritooteid ei tohi visata olmejäätmete hulka. Vaid tuleb viia vastavasse kogumispunkti. Vajadusel küsige sellekohast nõu oma edasimüüjalt või vastavalt kohaliku omavalitsuse institutsioonilt.



Puhumisrežiim



Imemisrežiim

KASUTUSJUHENDI SÜMBOLID



Märkus



Hoiatus



Eraldi ostetavad osad või tarvikud

Järgnevad märguandesõnad ja tähendused on mõeldud selle toote kasutamise seotud riskitasemete kirjeldamiseks.

⚠ OHT

Viitab kohe tekkivale ohtlikule situatsioonile, mis, kui ei väldita, lõpeb surma või tõsise vigastusega.

⚠ HOIATUS

Viitab võimalikule ohtlikule situatsioonile, mis, kui ei väldita, võib lõppeda surma või tõsise vigastusega.

⚠ ETTEVAATUST

Viitab võimalikule ohtlikule situatsioonile, mis, kui ei väldita, võib lõppeda väiksemate või keskmiste vigastusega.

ETTEVAATUST

Ilma hoiatussümbolita

Osutab olukorrale, mis võib põhjustada varakahju.

Maksimalni prioriteti u sigurnosti, performansama i pouzdanosti dati su u razvoju bežične puhalice/usisavača.

NAMJENA

Bežična puhalica/usisavač namijenjen je samo za korištenje na otvorenom u suhim i dobro osvijetljenim uvjetima.

Ovaj proizvod nije namijenjen za korištenje od strane djece ili osoba sa smanjenim fizičkim, psihičkim ili mentalnim mogućnostima.

Proizvod je namijenjen za ispuhivanje i usisavanje lakih ostataka uključujući lišće, travu i druge vrtno otpatke. Ona je namijenjena usisavanju i malčiranju otpadnih krhotina i njihovom odlaganju u vreću za prikupljanje.

Proizvod nije namijenjen za usisavanje vode ili ostalih tekućina. Nemojte koristiti oštricu u nikakvu drugu svrhu.

OPĆA SIGURNOSNA PRAVILA

▲ UPOZORENJE

Pročitajte sva sigurnosna upozorenja i sve upute. Nepriдрžavanje upozorenja i uputa može izazvati strujni udar, požar i/ili ozbiljne ozljede. Sačuvajte ova upozorenja i upute kako biste ih naknadno mogli konzultirati.

▲ UPOZORENJE

Nikada nemojte dopustiti korištenje proizvoda djeci ili osobama koje nisu upoznate s uputama. Moguće je da lokalni propisi propisuju starosnu dob rukovatelja.

OBUKA

- Pažljivo pročitajte upute. Upoznajte se s upravljačkim elementima i pravilnim korištenjem proizvoda.
- Imajte na umu da je rukovatelj ili korisnik odgovoran za nezgode ili opasnosti koje nastanu drugim osobama ili njihovoj imovini.
- Nemojte raditi s proizvodom kad ste umorni, bolesni ili pod utjecajem alkohola, droga ili lijekova.

PRIPREMA

- Neke regije imaju pravila koja ograničavaju korištenje proizvoda za neke radove. Provjerite kod lokalnih tijela za savjet.

- Cijelo vrijeme dok radite s proizvodom nosite zaštitu za oči. Ovaj uređaj izuzetno je bučan i može dovesti do trajnog oštećenja sluha ako se ne pridržavate mjera opreza za izlaganje, smanjnje buke i nošenja zaštite za sluh.
- Cijelo vrijeme nosite potpunu zaštitu za oči. Proizvođač izričito predlaže masku na cijelom licu ili potpuno zatvorene naočale. Obične naočale ili sunčane naočale nisu adekvatna zaštita. Predmeti mogu biti odbačeni velikom brzinom snažnim mlazom zraka i mogu se odbiti od tvrde površine prema operateru.
- Tijekom rada s proizvodom uvijek nosite zaštitnu obuću i duge hlače. Nemojte raditi bosu ili u otvorenim sandalama. Izbjegavajte nositi odjeću koja je labava ili s nje visi konop ili kravata.
- Nemojte nositi labavu odjeću ili nakit koji može biti povučen u otvor za zrak. Osigurajte dugu kosu na način da je iznad razine ramena kako biste spriječili zahvaćanje u pokretne dijelove.
- Osigurajte prije svakog korištenja da svi upravljački elementi i sigurnosni uređaji pravilno funkcioniraju. Ne koristite alat ako sklopka „isključeno“ ne zaustavlja proizvod.
- Radite s proizvodom u preporučenom položaju i samo na čvrstoj, ravnoj površini.
- Nemojte raditi s uređajem na popločanim ili šljunčanim površinama gdje odbačeni materijal može uzrokovati ozljedu.
- Prije svakog korištenja uvijek provjerite kućište za oštećenja. Osigurajte da su štitnici i ručke pravilno postavljeni i pričvršćeni. Kako biste održali simetriju uređaja zamijenite istrošene ili oštećene komponente u sklopovima. Zamijenite oštećene ili nečitljive naljepnice.
- Nikada ne radite s uređajem dok su u blizini ljudi, osobito djeca ili kućni ljubimci.
- Održavajte sve ulaze za zrak čistim od krhotina.
- Prije puhanja metlom i grabljama očistite ostatke koliko je to moguće.
- Prije svakog korištenja očistite radno područje. Uklonite sve predmete kao što su kamenje, slomljeno staklo, čavli, žica ili konopi koji mogu biti odbačeni uslijed velike brzine.

⚠ UPOZORENJE

Prije korištenja proizvoda u načinu rada s usisavanjem morate spojiti gornje i donje usisne cijevi. To je postupak koji se obavlja samo jednom. Nikada ne radite s usisavačem samo s postavljenom cijevi za usisavanje. Opasnost od osobnih ozljeda izričito je povećana ako se ne slijedi ovo upozorenje.

KORIŠTENJE I BRIGA O AKU ALATU

- Punite samo s punjačem navedenim od proizvođača. Punjač koji je prikladan za jednu vrstu baterija može dovesti do opasnosti od požara kada se koristi s drugom baterijom.
- Koristite AKU alate samo s posebno naznačenim baterijama. Korištenje bilo kojih drugih baterija dovodi do opasnosti od ozljeda i požara.
- Kada se baterija ne koristi držite je dalje od drugih metalnih predmeta kao što su spajalice za papir, kovanice, ključevi, čavli, vijci ili drugi mali metalni predmeti koji mogu spojiti jedan pol na drugi. Kratki spoj polova baterije može izazvati opekotine ili požar.
- Pod uvjetima loma može doći do izbacivanja tekućine iz baterije, izbjegavajte kontakt. Ako dođe do nehotičnog kontakta, isperite to mjesto s vodom. Ako tekućina dospije u oči, dodatno potražite liječničku pomoć. Tekućina koja istječe iz baterije može dovesti do iritacije ili opekotina.
- Nemojte koristiti bateriju ili alat koji su oštećeni ili modificirani. Oštećene ili modificirane baterije mogu imati nepredvidivo ponašanje, što može dovesti do požara, eksplozije ili rizika od tjelesnih ozljeda.
- Nemojte izlagati bateriju ili alat vatri ili visokim temperaturama. Izlaganje vatri ili temperaturama višim od 130°C može dovesti do eksplozije.
- Slijedite sve upute za punjenje i nemojte puniti bateriju ili alat na temperaturama izvan temperaturnog raspona specificiranog u uputama. Nepravilno punjenje ili punjenje na temperaturama izvan specificiranog raspona može oštetiti bateriju i povećati rizik od požara.

UPORABA

- Prije pokretanja proizvoda uvijek provjerite je usisna komora prazna.
- Držite lice i tijelo dalje od otvora za usis.
- Radite s uređajem na napajanje u razumne sate – ne rano ujutro ili kasno navečer kada možete uznemiravati ljude.
- Nikada ne radite s proizvodom u eksplozivnoj atmosferi.
- Izbjegavajte korištenje proizvoda u lošim vremenskim uvjetima, posebice ako postoji opasnost od udara munje.
- Nemojte raditi u slabom osvjetljenju. Operateru treba jasan pogled radnog područja kako bi identificirao potencijalne opasnosti.
- Rad u blizini sličnim alatom dovodi do opasnosti povreda sluha i mogućim ulaskom drugih osoba u radno područje.
- Uvijek se čvrsto uprite na kosinama. Hodajte, nemojte trčati.
- Nemojte postavljati ruke ili neki drugi dio tijela ili odjeće unutar usisne komore, trake za pražnjenje ili bilo kojeg drugog pokretnog dijela.
- Zauzmite čvrst stav i ravnotežu. Ne sežite preko određene granice. Sezanje preko određene granice može imati za posljedicu gubitak ravnoteže.
- Nikada nemojte raditi s proizvodom s oštećenim pokrovima ili štitnicima, ili bez sigurnosnih uređaja, npr. postavljenog sakupljača krhotina.
- Nemojte modificirati uređaj ni na koji način ili koristiti dijelove ili dodatni pribor koje nije preporučio proizvođač.

⚠ UPOZORENJE

Ako je proizvod ispao, pretrpio težak udar ili abnormalno vibrira, odmah zaustavite proizvod i provjerite na oštećenje ili identificirajte uzrok vibracija. Svaki oštećeni dio trebao bi pravilno popraviti ili zamijeniti ovlaštenu servisni centar.

- Kako biste smanjili rizik od ozljeda zbog kontakta s okretnim dijelovima, prije uklanjanja baterije obavezno prvo zaustavite proizvod. Provjerite jesu li svi pokretni dijelovi zaustavljeni prije:
 - ostavljanje proizvoda bez nadzora

- čišćenja blokada ili odčepeljivanja žlijeba
 - provjere i čišćenja proizvoda ili rada s proizvodom
 - pregledavanja proizvoda nakon udara u strano tijelo
- Odmah isključite i uklonite baterijski komplet u slučaju nesreće ili slamanja. Proizvodom nemojte ponovno rukovati sve dok ga potpuno ne provjeri ovlašteni servisni centar.

SIGURNOSNA UPOZORENJA VEZANO ZA PUHALICU

- U prašnjavim uvjetima nosite masku za lice s filtrom kako biste smanjili opasnost o ozljeda vezanih uz udisanje prašine.
- Neznatno navlažite površine u prašnjavim uvjetima.
- Nemojte raditi s uređajem pored otvorenih prozora.
- Koristite produžetak mlaznice za jako puhanje kako bi mlaz zraka radio bliže tla.
- Nemojte usmjeravati mlaznicu puhalice u smjeru ljudi ili kućnih ljubimaca.
- Nikada ne postavljajte predmete unutar cijevi puhalice.
- Proizvod nemojte stavljati na gomilu rastresitih krhotina ili pokraj nje. Krhotine mogu biti usisane u ulazni otvor za ventilaciju dovodeći do mogućeg oštećenja jedinice.

SIGURNOSNA UPOZORENJA VEZANO ZA USISAVAČ

⚠ UPOZORENJE

Nikada ne radite s usisavačem samo s postavljenom cijevi za usisavanje. Nepoštivanje ovog upozorenja povećava opasnost od osobnih ozljeda.

NAPOMENA: Ako donja usisna cijev nije pričvršćena mnogo je lakše doći do unutrašnjosti cijevi koja je usmjerena prema lopatici ventilatora.

- Nemojte raditi sa usisavačem bez ugrađene vrećice za prikupljanje ostataka. Leteći ostaci mogu dovesti do ozbiljnih ozljeda. Osigurajte da je vrećica za prikupljanje ostataka u dobrom stanju i potpuno zatvorena prije rada.

- Proizvod pomičite s jedne na drugu stranu uzduž vanjskog ruba krhotina. Nemojte postavljati cijev usisavača izravno na gomilu ostataka kako biste izbjegli začepljenje.
- Držite motor u višljem položaju od ruba ulaza cijevi usisavača.
- Kako biste izbjegli ozljede operatera ili oštećenje jedinice ne pokušavajte usisati kamenje, slomljeno staklo, boce ili druge slične predmete.
- Izbjegavajte situacije koje mogu uzrokovati vatru u vrećici za prikupljanje ostataka. Nemojte raditi blizu otvorenog plamena. Nemojte usisavati topao pepeo iz kamina, roštilja itd. Nemojte usisavati odbačene cigare ili cigarete osim ako žar nije potpuno hladan.
- Držite sve dijelove tijela dalje od svih pokretnih dijelova. Rotirajuće oštrice propelera mogu izazvati ozbiljne ozljede. Zaustavite motor i provjerite da li su se prestale okretati oštrice propelera prije otvaranja vratašca usisavača, montaže/ izmjene cijevi, otvaranja ili uklanjanja vrećica za otpatke.
- Prilikom uvođenja materijala u proizvod uvjerite se da to nisu komadići metala, kamenja, boca, limenki ili ostalih stranih tijela.
- Nemojte dozvoliti da se obrađeni materijal nakuplja u zoni za pražnjenje. Tako se može spriječiti pravilno pražnjenje što može dovesti do izlijetanja materijala kroz usisni otvor.
- Ako se proizvod začepi, zaustavite motor i izvadite bateriju prije čišćenja krhotina.

DODATNA SIGURNOSNA UPOZORENJA ZA BATERIJU

⚠ UPOZORENJE

Zbog izbjegavanja opasnosti od požara jednim kratkim spojem, opasnosti od ozljeda ili oštećenja proizvoda, alat, izmjenjivi akumulator ili napravu za punjenje ne uronjavati u tekućine i pobrinite se za to, da u uređaje ili akumulator ne prodiru nikakve tekućine. Korozirajuće ili vodljive tekućine kao slana voda, određene kemikalije i sredstva za bijeljenje ili proozvodi koji sadrže sredstva bijeljenja, mogu prouzročiti kratak spoj.

PRIJEVOZ I SKLADIŠTENJE

- Zaustavite uređaj, uklonite bateriju i omogućite da se ohladi prije spremanja ili transporta.
- Očistite svaki strani materijal s uređaja. Skladištite ga na suhom i dobro ventiliranom mjestu koje nije pristupačno djeci. Nemojte ju ostavljati u blizini korozivnih agenasa kao ni vrtnih kemijskih proizvoda i soli za odmrzavanje. Ne ostavljajte na otvorenom.
- Za prijevoz, osigurajte uređaj protiv pomicanja ili pada kako biste spriječili povrede osoba ili oštećenja na uređaju.

TRANSPORTIRANJE LITIJUMSKIH BATERIJA

Transportirajte bateriju u skladu s lokalnim i nacionalnim pravima i zakonima.

Slijedite sve specijalne zahtjeve na pakiranju i naljepnicama prilikom transporta baterije od treće strane. Osigurajte da baterija ne može doći u kontakt s drugim baterijama ili provodnim materijalima tijekom transporta tako da zaštitite izložene priključke s izolacijom, kapicama koje ne provode energiju ili trakom. Nemojte transportirati baterije koje su polomljene ili cure. Provjerite kod kompanije koji transportirate za daljnju pomoć.

ODRŽAVANJE

⚠ UPOZORENJE

Koristite samo originalne zamjenske dijelove, dodatni pribor i priključke od proizvođača. Nepoštivanje ovih uputa može dovesti do mogućih ozljeda, loše učinkovitosti i može dovesti do poništenja jamstva.

⚠ UPOZORENJE

Servisiranje iziskuje krajnju pažnju i znanje i treba da ga vrši samo kvalificirani serviser. Radi servisa, donesite proizvod u ovlašteni servisni centar. Prilikom servisiranja, koristite samo originalne zamjenske dijelove od proizvođača.

- Nemojte izvršiti podešavanja i popravke koji su opisani u ovom priručniku. Za ostale popravke ili savjete, potražite pomoć ovlaštenog servisnog centra.

- Nakon svakog korištenja proizvod obrišite sa suhom mekom krpom.
- Često provjeravajte sve matice i zavrtnje da li su dobro pritegnuti kako biste bili sigurni da je proizvod u sigurnom radnom stanju. Svaki oštećeni dio trebao bi pravilno popraviti ili zamijeniti ovlašteni servisni centar.
- Za zamjenu oštećenih ili nečitljivih naljepnica vratite proizvod u ovlašteni servisni centar.

ČIŠĆENJE BLOKADA

- Za samnjenje opasnosti od povreda povezanih s dodiranjem rotirajućih dijelova, uvijek zaustavite proizvod, uklonite bateriju, provjerite da su svi pokretni dijelovi zaustavljeni:
- Uklonite cijevi puhalice kako biste mogli pregledati je li se uređaj začepio. Po potrebi očistite cijevi.
- Uklonite vrećicu za prikupljanje ostataka. Provjerite da adapter vrećice nama smetnji.
- Provjerite otvore na kućištu ventilatora i cijevi na vrećici za ostatke kao dokaz blokade. Imajte na umu, čak i ako je baterija uklonjena, ventilator i oštrice za usitnjavanje se mogu pokretati kako čistite sve blokade. Držite prste dalje od ventilatora i oštrica za usitnjavanje.
- Nemojte pokušavati ukloniti ventilator ili oštrice za usitnjavanje. Ako je potrebno da uklonite ventilator i oštrice za usitanjavanje, donesite proizvod u ovlašteni servisni centar.
- Ponovno instalirajte cijevi i vrećicu za prikupljanje ostataka prije umetanja baterije i pokretanja proizvoda.

OSTALE OPASNOSTI

Čak i kad je proizvod korišten kao što je prethodno opisano, još uvijek nije moguće potpuno isključiti ostale čimbenike opasnosti. Može doći do sljedećih opasnosti prilikom korištenja i operator mora obratiti posebnu pozornost kako bi izbjegao sljedeće:

- Ozljede uzrokovane vibracijom
 - Uvijek koristite pravi alat za posao, koristite označenu kopču i koristite najmanju brzinu za izvršenje zadatka.
- Izlaganje buci može izazvati povredu sluha.
 - Nosite zaštitu za sluh i ograničite izloženost.

- Ozljeda izazvana predmetima koji izlijeću iz cijevi puhalice uslijed strujanja zraka ako vreća za prikupljanje krhotina nije pričvršćena ili je oštećena
 - Cijelo vrijeme nosite sredstva za zaštitu očiju.

SMANJENJE OPASNOSTI

Prijavljeno je da vibracije alata koje se drži u ruci kod određenih pojedinaca mogu doprinijeti stanju pod nazivom Raynaud's Syndrome. Simptomi mogu uključivati trnce, ukočenost i bjelinu prstiju, obično uočljivo po izlaganju hladnoći. Smatra se da nasljedne osobine, izlaganje hladnoći i vlazi, dijeta, pušenje i radni postupci pridonose razvoju ovih simptoma. Postoje mjere koje operator može poduzeti kako bi smanjio moguće učinke vibracije:

- Održavajte svoje tijelo toplim u hladnim vremenskim uvjetima. Kad radite s proizvodom nosite rukavice kako biste ruke i zglobove održavali toplima.
- Nakon svakog perioda rada vježbajte kako biste povećali cirkulaciju krvi.
- Uzimajte česte stanke u radu. Ograničite količinu izlaganja po danu.

Ako osjetite neke od simptoma ovog stanja, odmah prekinite korištenje i obratite se svome liječniku vezano uz ove simptome.

⚠ UPOZORENJE

Povrede mogu biti uzrokovane ili zadobivene produljenim korištenjem alata. Kada koristite bilo koji alat dulje vremena, osigurajte da uzimate povremene stanke.

UPOZNAJTE SVOJ PROIZVOD

Pogledajte stranicu 161.

1. Prednja ručka
2. Ručka za brzo otpuštanje
3. Podložak za rame
4. Poluga kontrole krstarenja
5. Turbo gumb
6. Ručka
7. Sklopka za pokretanje
8. Poluga za odabir načina rada puhalice/ usisavača
9. Vrećica za adapter
10. Vrećica usisavača
11. Donja cijev puhalice
12. Kotačići vodilice

13. Donja cijev usisavača
14. Gornja cijev usisavača
15. Samokočni vijak

SIMBOLI NA PROIZVODU



Pročitajte i razumite sve upute prije rada s proizvodom, slijedite sva upozorenja i sigurnosne upute.



Čuvajte se odbačenih ili letećih predmeta. Držite sve promatrače naročito djecu i kućne ljubimce, na udaljenosti najmanje 15 m od radnog područja.



Rotirajući ventilatori. Držite ruke i stopala izvan otvora dok uređaj radi.



Nosite zaštitu za sluh



Nosite sredstva za zaštitu očiju



Ne izlažite kiši ili vlažnim uvjetima.



Jamčena razina zvučne snage 99 dB.



Kompatibilan pribor: RAC364



Prije započinjanja bilo kakvih radova na proizvodu uklonite bateriju.



Povući: Jezičac za brzo oslobađanje



Ovaj alat usklađen je sa svim normama i propisima zemlje Europske unije u kojoj je kupljen.



EurAsian znak konformnosti



Ukrajinska oznaka za
sukladnost



Otpadni električni proizvodi ne
treba da se odlažu s otpadom
iz domaćinstva. Molimo da
reciklirate gdje je to moguće.
Potražite savjet od lokalnih
vlasti ili prodavca kako
reciklirati.



Način rada puhanjem



Način rada usisavanja

SIMBOLI U OVOM PRIRUČNIKU



Napomena



Upozorenje



Dijelovi ili pribor prodan
odvojeno

Slijedeće riječi upozorenja i značenja imaju
namjeru da objasne nivo rizika u vezi s ovim
proizvodom.

OPASNOST

Ukazuje na neposrednu opasnu situaciju,
koja, ukoliko se ne izbjegne, može
rezultirati smrću ili opasnim povredama

UPOZORENJE

Ukazuje na moguću opasnu situaciju, koja,
ukoliko se ne izbjegne, može rezultirati
smrću ili opasnim povredama

UPOZORENJE

Ukazuje na moguću opasnu situaciju, koja,
ukoliko se ne izbjegne, može rezultirati
manjim ili blažim povredama

UPOZORENJE

Bez sigurnosnog simbola upozorenja
Naznačuje situaciju koja može rezultirati
oštećenjem imovine.

Pri snovanju brezžičnega puhalnika/sesalnika smo največ pozornosti namenili varnosti, učinkovitosti in zanesljivosti.

NAMEN UPORABE

Brezžični puhalnik/sesalnik je namenjen za uporabo le na prostem v suhih in dobro osvetljenih pogojih.

Izdelek ni namenjen za uporabo s strani otrok ali oseb z zmanjšanimi fizičnimi, duševnimi ali senzoričnimi zmožnostmi.

Izdelek je namenjen za puhanje in sesanje lahkih stvari, kot so listje, trava in drugi vrtni ostanki. Namenjen je za sesanje in mulčenje delcev in za njihovo odlaganje v zbirno vrečo.

Izdelek ni zasnovan za vsesavanje vode ali drugih tekočin. Za druge namene ga ne uporabljajte.

SPLOŠNA VARNOSTNA OPOZORILA

⚠ OPOZORILO

Preberite vsa varnostna opozorila in navodila. Zaradi neupoštevanja opozoril in navodil lahko pride do električnega udara, požara in/ali resnih poškodb. Shranite vsa opozorila in navodila za kasnejšo uporabo.

⚠ OPOZORILO

Nikoli ne pustite, da bi izdelek uporabljali otroci ali osebe, ki niso seznanjene s temi navodili za uporabo. Lokalni predpisi se morda nanašajo tudi na minimalno starost upravitelja.

URJENJE

- Pazljivo preberite navodila. Seznanite se s krmilnimi elementi in pravilno uporabo izdelka.
- Pomnite, da je upravitelj oz. uporabnik odgovoren za nesreče ali nevarnosti, ki se pripetijo ostalim ljudem ali njihovi lastnini.
- Izdelka nikoli ne uporabljajte, če ste utrujeni, bolni ali pod vplivom alkohola, drog ali zdravil.

PRIPRAVA

- V nekaterih regijah predpisi omejujejo uporabo izdelka na določene namene. Za nasvet se obrnite na lokalne oblasti.
- Med celotnim upravljanjem izdelka

vedno nosite popolno zaščito za ušesa. Ta naprava je izredno hrupna in lahko povzroči trajne poškodbe sluha, če ne upoštevate previdnostnih ukrepov glede omejitve izpostavljenosti, zmanjšanja hrupa in nošenja zaščite za sluh.

- Med celotnim upravljanjem tega izdelka vedno nosite popolno zaščito za oči. Proizvajalec močno priporoča ščitnik za celotni obraz in popolnoma zaprta očala. Navadna očala ali sončna očala niso zadostna zaščita. Močan zračni vrtnec lahko kadarkoli zelo hitro vrže predmete, ki se lahko od trde površine odbijejo proti uporabniku.
- Med upravljanjem izdelka vedno nosite ustrezno obutev in dolge hlače. Naprave ne uporabljajte, če ste bos ali nosite odprte sandale. Ne nosite oblačil, ki so ohlapna ali z njih visijo trakovi.
- Ne nosite ohlapnih oblačil ali nakita, ki bi se lahko ujel v dovod zraka. Dolge lase si spnite nad rameni in tako preprečite njihovo ujetje v premikajoče se dele.
- Pred vsako uporabo zagotovite, da vse kontrole in varnostne naprave delujejo pravilno. Izdelka ne uporabljajte, če stikalo za izklop ne zaustavi motorja.
- Izdelek upravljajte v priporočenem položaju in samo na ravni, trdni podlagi.
- Naprave ne uporabljajte na tlakovani ali peščeni podlagi, kjer bi lahko naokoli leteč material povzročil poškodbe.
- Pred vsako uporabo vedno pregledajte, ali je ohišje morda poškodovano. Poskrbite, da bodo varovala in ročaji nameščeni in pravilno pritrjeni. Izrabljene ali poškodovane sestavne dele zamenjajte v kompletu in tako ohranite uravnoteženost naprave. Zamenjajte poškodovane ali neberljive oznake.
- Če so v bližini ljudje, še posebej otroci ali domače živali, naprave ne uporabljajte.
- Poskrbite, da bodo odprtine za zračenje čiste.
- Pred začetkom uporabe puhalnika material zrahljajte z grabljami in metlami.
- Pred vsako uporabo temeljito očistite območje obratovanja. Odstranite vse predmete, kot so skale, razlomljeno steklo, žebliji, žice ali dele vrvi, ki bi med delovanjem lahko odleteli.

⚠ OPOZORILO

Pred uporabo izdelka v načinu sesanja morate spojiti zgornjo in spodnjo sesalno cev. To je treba narediti le enkrat. Nikoli na upravljajte sesalnika samo z nameščeno zgornjo sesalno cevjo. Tveganje za telesno poškodbo je močno povečano, če ne upoštevate teh opozoril.

UPORABA IN VZDRŽEVANJE BATERIJ-SKEGA ORODJA

- Baterijo polnite le s polnilnikom, ki ga določa proizvajalec. Polnilnik, ki ustreza eni vrsti baterij, morda lahko povzroči požar, če z njim polnite drugo vrsto baterij.
- Baterijska orodja uporabljajte samo s predpisano vrsto baterij. Uporaba katerih koli drugih baterij ustvari tveganje poškodb in požara.
- Ko baterije ne uporabljajte, pazite, da bo odmaknjena od kovinskih predmetov, kot so papirne sponke, kovanci, ključi, žblji, vijaki ali drugih majhni kovinski predmeti, ki bi lahko povzročili povezavo med obema terminaloma. Kratak stik zaradi povezanih terminalov baterije lahko povzroči opekline ali požar.
- Ob zlorabi baterije lahko iz nje steče tekočina. Če se po nesreči dotaknete tekočine, mesto dotika sperite z vodo. Če pride tekočina v stik z očmi, poiščite zdravstveno pomoč. Tekočina, ki izteče iz baterije, lahko povzroči vnetje ali opekline.
- Poškodovanega ali spremenjenega akumulatorja oziroma orodja ne uporabljajte. Poškodovani ali spremenjeni akumulatorji lahko delujejo na nepredvidljiv način, kar lahko povzroči požar, eksplozijo ali nevarnost telesne poškodbe.
- Akumulatorja ali orodja ne izpostavljajte ognju ali previsokim temperaturam. Ob izpostavljenosti ognju ali temperaturam, višjim od 130 °C, lahko pride do eksplozije.
- Dosledno upoštevajte navodila za polnjenje in akumulatorja oziroma orodja ne polnite izven temperaturnega razpona, predpisanega v navodilih. Ob nepravilnem polnjenju oziroma polnjenju pri temperaturah izven predpisanega razpona se lahko poškoduje akumulator in poveča nevarnost požara.

DELOVANJE

- Pred uporabo izdelka poskrbite, da je komora za zbiranje prazna.
- Obraz in telo držite proč od dovodne odprtine.
- Napravo uporabljajte le ob primernih urah – ne zgodaj zjutraj ali pozno zvečer, ko bi lahko koga motili.
- Naprave nikoli ne uporabljajte v eksplozivnem ozračju.
- Izogibajte se uporabi izdelka v slabih vremenskih pogojih, še posebej, če obstaja nevarnost strele.
- S cepilnikom ne upravljajte pri slabi osvetljavi. Upravljevec mora imeti jasen pregled nad delovnim območjem, da lahko prepozna morebitne nevarnosti.
- Uporaba podobnih orodij v bližini poveča nevarnost za poškodbe sluha in nevarnost, da druge osebe vstopijo v vaše delovno območje.
- Pri uporabi na pobočjih vedno pazite na ravnotežje. Vedno hodite, nikoli ne tecite.
- Ne dovolite, da bi roke ali kateri koli drug del telesa ali oblačil zašel v dovajalno komoro, izmetalni žleb ali druge gibljive dele.
- Pazite na ravnotežje in ne pretiravajte. Nesiahajte preliš daleko. Pretiravanje lahko povzroči izgubo ravnotežja.
- Nikoli ne upravljajte izdelka s poškodovanimi varovali ali zaščitami, brez varovalnih naprav kot na primer brez nameščenega zbiralca ostankov.
- Na noben način ne spreminjajte naprave ter ne uporabljajte delov in dodatkov, ki jih ne priporoča proizvajalec.

⚠ OPOZORILO

Če izdelek pade, močno trči ali začne nenormalno vibrirati, ga nemudoma zaustavite in preverite, ali je poškodovan oziroma poiščite vzrok vibriranja. Vsakršno poškodbo mora ustrezno popraviti ali zamenjati pooblaščen servisni center.

- Za zmanjšanje nevarnosti poškodbe zaradi stika z vrtljivimi deli izdelek vedno ustavite in odstranite akumulator. Prepričajte se, da so se vsi premikajoči deli popolnoma zaustavili, preden:
 - pustiti izdelek brez nadzora

- odstranite zamaške ali odmašite žleb
- Preverjanje, čiščenje ali vzdrževanje izdelka
- pregledate napravo po trku s tujkom
- V primeru nezgode ali okvare kosilnico nemudoma izklopite in odstranite akumulatorsko baterijo. Kosilnice ne uporabljajte, dokler je v celoti ne pregledajo na pooblaščenem servisu.

VARNOSTNA OPOZORILA ZA PUHALNIK

- V okolju z veliko prahu uporabljajte obrazni filter, saj tako zmanjšate tveganje za poškodbe, ki bi nastale zaradi vdihavanja prahu.
- V prašnih pogojih površine nekoliko navlažite
- Naprave ne uporabljajte blizu odprtih oken.
- Uporabite podaljšek šobe puhalnika, tako da lahko zračni curek deluje zelo blizu tlom in je učinkovit.
- Šobe puhalnika ne usmerjajte proti ljudem ali živalim.
- V cevi puhalnika nikoli ne dajajte predmetov.
- Naprave ne odlagajte na odstranjene delce ali v njihovo bližino. Odpadke bi lahko povleklo v vhodno prezračevalno cev puhalnika, zaradi česar se enota lahko poškoduje.

VARNOSTNA OPOZORILA ZA SESALNIK

⚠ OPOZORILO

Nikoli na upravljajte sesalnika samo z nameščeno zgornjo sesalno cevjo. Neupoštevanje tega opozorila poveča nevarnost telesnih poškodb.

OPOMBA: Brez pritrjene spodnje sesalne cevi boste veliko lažje segli v cev proti lopatici ventilatorja.

- Sesalnika ne upravljajte brez nameščene vrečke za zbiranje odpadkov. Leteči odpadki lahko povzročijo resno poškodbo. Prepričajte se, da je vreča za zbiranje ostankov v dobrem stanju in popolnoma zaprta, preden napravo uporabite.
- Napravo premikajte z ene strani na drugo vzdolž zunanlega roba delcev. Da ne bi prišlo do zamažitve, cevi sesalnika ne

potisnite direktno v kup odpadkov.

- Motor držite višje kot del sesalne cevi, kjer se dovaja zrak.
- Da bi se izognili hudim poškodbam upravljalca ali naprave, ne sesajte kamnov, zlomljenega stekla, steklenic ali drugih podobnih predmetov.
- Izogibajte se situacijam, ki bi lahko povzročile požar v vrečki z odpadki. Naprave ne uporabljajte blizu odprtega ognja. Ne sesajte vročega pepela iz ognjišč, žarov, kresov itd. Prav tako ne sesajte odvrženih cigare in cigaret, razen če so ogorki popolnoma hladni.
- Dele telesa držite proč od premikajočih se delov. Vrteči se kraki rotorja lahko povzročijo hude poškodbe. Ustavite motor in se prepričajte, da se kraki rotorja ne vrtijo več, preden odprete vratca sesalnika, nameščate oz. menjavate cevi, odprete ali odstranite vrečo za ostanke.
- Pri metanju materiala v napravo se prepričajte, da material ne vsebuje kosov kovine, kamenja, steklenic, pločevink ali drugih tujkov.
- Ne dovolite, da se predelan material kopiči v območju izmeta. To bi lahko preprečilo ustrezen izmet in lahko povzroči vračanje materiala skozi vhodno odprtino.
- Če se naprava zamaši, ustavite motor in iz nje odstranite baterijo, preden počistite delce.

DODATNA VARNOSTNA OPOZORILA ZA BATERIJO

⚠ OPOZORILO

V izogib, s kratkim stikom povzročene nevarnosti požara, poškodb ali okvar na proizvodvu, orodja, izmenljivega akumulatorja ali polnilne naprave ne potaplajte v tekočine in poskrbite, da ne bo prihajalo do vdora tekočin v naprave in akumulatorje. Korozivne ali prevodne tekočine, kot so slana voda, določene kemikalije in belila ali proizvodi, ki le ta vsebujejo, lahko povzročijo kratek stik.

TRANSPORT IN SHRANJEVANJE

- Ustavite napravo, odstranite baterijo in počakajte, da se ohladi, preden ju shranite ali transportirate.

- Očistite vse tujke z izdelka. Shranite jo na suhem in dobro prezračenem mestu, ki ni na dosegu otrok. Hranite proč od jedkih sredstev, kot so kemikalije za vrtnarjenje in soli za odmrzovanje. Ne shranjujte na prostem.
- Za transport zavarujte izdelek pred premiki ali padci, da preprečite poškodbe oseb ali izdelka.

PRENAŠANJE LITIJEVIH BATERIJ

Baterije prevažajte v skladu z lokalnimi in državnimi uredbami in predpisi.

Upoštevajte vse posebne zahteve glede pakiranja in označevanja, kadar prevoz opravlja tretja oseba. Zagotovite, da baterije med prevozom ne morejo priti v stik z drugimi baterijami ali prevodnimi materiali tako, da zaščitite izpostavljene konektorje z izolacijo, neprevodnimi pokrovčki ali trakom. Ne prevažajte poškodovanih baterij oz. baterij, ki puščajo. Za nadaljnje informacije se obrnite na posredovalno podjetje.

VZDRŽEVANJE

⚠ OPOZORILO

Uporabljajte le originalne rezervne dele in dodatke, ki jih priporoča proizvajalec. V nasprotnem primeru naprava lahko slabo deluje, povzroči poškodbe, garancija pa ne velja več.

⚠ OPOZORILO

Servisiranje zahteva posebno pozornost in znanje in naj jo zato opravlja samo izurjeni servisni tehnik. Za servisiranje odnesite izdelek na pooblaščen servis. Pri servisiranju uporabljajte samo originalne nadomestne dele.

- Ne izvajajte nastavitvev in popravil, ki niso opisani v tem priročniku. Za druga popravila ali nasvete se posvetujte s pooblaščenim storitvenim centrom.
- Po vsaki uporabi izdelka očistite z mehko in suho krpo.
- Pogosto preverjajte, ali so vse matice in vijaki dobro priviti in tako zagotovite varno delovno stanje izdelka. Vsak poškodovani del mora ustrezno popraviti ali zamenjati pooblaščen servisni center.

- Poškodovane ali nečitljive nalepke naj zamenjajo v pooblaščenem servisnem centru.

ODPRAVLJANJE BLOKAD

- Za zmanjšanje nevarnosti poškodb, ki lahko nastanejo z dotikanjem vrtečih delov, vedno ustavite napravo, odstranite baterijski paket in se prepričajte, da so se ustavili vsi premikajoči deli.
- Odstranite pihalne cevi in jih pregledajte zaradi morebitnih zamaškov. Po potrebi cevi očistite.
- Odstranite vrečo za zbiranje ostankov. Preverite, ali je adapter brez blokad.
- Pregledajte odprtino do ohišja ventilatorja in cev do vreče za odpadke za primer prisotnosti blokad. Upoštevajte, da tudi če odstranite baterijo, se ventilator in drobilna rezila lahko premikajo, ko odstranite blokado. Prste vedno držite proč od ventilatorja in drobilnih rezil.
- Ventilatorja ali drobnih rezil ne poskušajte odstraniti ločeno. Če morate ventilator in drobilna rezila odstraniti, izdelek nesite na pooblaščen servis.
- Znova namestite cevi in vrečo za zbiranje ostankov, preden vstavite novo baterijo in zaženete izdelek.

REZIDUALNA TVEGANJA

Tudi če izdelek uporabljate tako, kot je predpisano, še vedno ne moremo izključiti določenih preostalih dejavnikov tveganja. Med uporabo se lahko pojavijo naslednje nevarnosti, upravljavec pa naj bo pozoren na sledeče:

- Poškodbe zaradi vibracij
 - Za opravilo vedno uporabite pravilno orodje, primerne ročaje in najnižjo potrebno hitrost za dokončanje opravila.
- Izpostavljenost hrupu lahko povzroči poškodbo sluha.
 - Nosite zaščito za sluh in omejite izpostavljenost.
- Če vreča za zbiranje delcev ni nameščena oziroma če je poškodovana, obstaja nevarnost poškodbe zaradi letečih delcev v zračnem toku, ki prihaja iz pihalne cevi.
 - Vedno nosite zaščito za oči.

ZMANJŠANJE TVEGANJA

Ugotovljeno je bilo, da lahko pri nekaterih posameznikih vibracije ročnih orodij povzročijo Raynaudov sindrom. Simptomi so lahko mravljinca, otrplost in pobledele prsti, kar je običajno vidno, kadar je oseba izpostavljena mrazu. Dedni dejavniki, izpostavljenost mrazu in vlagi, dieta, kajenje in delovne navade naj bi pripomogle k razvoju teh simptomov. Za zmanjšanje učinkov vibracij lahko upravljavec upošteva naslednja navodila:

- Poskrbite, da bo vaše telo na mrazu toplo. Med upravljanjem nosite rokavice in tako ohranjajte toploto vaših dlani in zapestij.
- Po vsakem obdobju upravljanja naprave telovadite in tako pospešite krvni obtok.
- Pogosto si vzemite odmor. Omejite dnevno količino izpostavljenosti.

Če zaznavate kakršne koli simptome takšnega stanja, takoj prenehajte z uporabo naprave in se o simptomih posvetujte z zdravnikom.

⚠ OPOZORILO

Daljša uporaba orodja lahko privede do poškodb ali pa so poškodbe lahko hujše. Kadar orodje uporabljate dalj časa, si večkrat vzemite odmor.

SPOZNAJTE SVOJ IZDELEK

Glejte stran 161

1. Sprednji ročaj
2. Ročica za hitro sprostitvev
3. Ramenska blazinica
4. Ročica tempomata
5. Gumb turbo
6. Ročaj
7. Sprožilec
8. Ročica za izbiro načina pihalnika/ sesalnika
9. Priključek za vrečo
10. Vrečka za sesalnik
11. Spodnja pihalna cev
12. Krmiljena kolesa
13. Spodnja sesalna cev
14. Zgornja cev sesalnika
15. Zaklepni navoj

SIMBOLI NA IZDELKU



Pred uporabo izdelka morate prebrati in razumeti vsa navodila, upoštevati vsa opozorila in varnostne napotke.



Pazite na izvržene ali leteče predmete. Prisotni (še posebej otroci in živali) naj bodo med obratovanjem oddaljeni vsaj 15 m od delovnega območja.



Vrteči ventilator. Medtem ko je izdelek v teku, imejte roke in noge izven odprtín.



Nosite zaščito za ušesa



Nosite zaščito za oči



Ne izpostavljajte ga dežju ali vlagi.



Zajamčena raven hrupa je 99 dB.



Združljiv dodatek: RAC364



Pred izvajanjem del na pripomočku odstranite akumulatorski vložek.



Povlecí: Jeziček za hitro sprostitvev



Ustreza vsem predpisanim standardom v državi članici EU, kjer je bil kupljen izdelek.



EurAsian oznaka o skladnosti



Ukrajinska oznaka za skladnost



Odpadne električne izdelke odlagajte skupaj z ostalimi gospodinjstvi odpadki. Reciklažo opravljajte na predpisanih mestih. Za reciklažni nasvet se obrnite na lokalne oblasti.



Način puhalnika



Način sesalnika

SIMBOLI V TEM PRIROČNIKU



Opomba



Opozorilo



Deli ali dodatki so na prodaj ločeno

Sledeče signalne besede in pomeni naj bi pojasnili ravni tveganja, ki so povezane s tem izdelkom.

⚠ NEVARNOST

Označuje neizbežno tvegano stanje, ki če se ji ne izognete lahko povzroči smrt ali resno poškodbo.

⚠ OPOZORILO

Označuje morebitno tvegano stanje, ki če se ji ne izognete lahko povzroči smrt ali resno poškodbo.

⚠ POZOR

Označuje morebitno tvegano stanje, ki če se mu ne izognete lahko povzroči manjšo ali srednje resno poškodbo.

POZOR

Brez simbola za varnostno opozorilo

Prikazuje situacijo, ki lahko povzroči materialno škodo.

Pri navrhovaní akumulátorového dýchadlového vysávača boli najvyššou prioritou bezpečnosť, výkon a spoľahlivosť.

ÚČEL POUŽITIA

Akumulátorový dýchadlový vysávač je určený len na použitie v exteriéri v suchom a dobre osvetlenom prostredí.

Produkt nie je určený na použitie deťmi alebo osobami so zníženými fyzickými, duševnými alebo zmyslovými schopnosťami.

Tento produkt je určený na odkukovanie a vysávanie ľahkej sutiny, ako sú listy, tráva a iní záhradné zvyšky. Je určený na vysávanie a mulčovanie odpadu a jeho uloženie ho do zberného vaku.

Tento výrobok nie je určený na vysávanie vody alebo iných tekutín. Nepoužívajte na žiadne iné účely.

VŠEOBECNÉ BEZPEČNOSTNÉ VÝSTRAHY

⚠ VARIOVANIE

Prečítajte si všetky bezpečnostné výstrahy a pokyny. Pri nedodržaní týchto výstrah a pokynov môže dôjsť k úrazu elektrickým prúdom, požiaru a/alebo závažnému poraneniu. Odložte všetky upozornenia a pokyny použité v budúcnosti.

⚠ VARIOVANIE

Nikdy nedovoľte používať produkt deťom ani osobám, ktoré nie sú oboznámené s týmto návodom. Miestne platné predpisy môžu obmedzovať dobu použitia kosačky.

ŠKOLENIE

- Pozorne si prečítajte pokyny. Oboznámte sa s ovládacími prvkami a správnu obsluhu produktu.
- Užívateľ alebo obsluha stroja sú zodpovední za nehody alebo škody na majetku a za nebezpečenstvo vzniknuté pri prevádzke stroja.
- Nikdy nepoužívajte produkt, keď ste unavení, chorí alebo pod vplyvom, alkoholu, drog alebo liekov.

PRÍPRAVA

- Niektoré regióny majú nariadenia, ktoré obmedzujú použitie produktu na určité operácie. Poradte sa s miestnym úradom.
- Pri práci s produktom neustále používajte ochranu sluchu. Toto zariadenie je veľmi hlučné a v prípade, že nevykonáte žiadne prísne opatrenia, ktoré by zamedzili vystaveniu hluku, znížili hluk alebo nebudete používať ochranu sluchu, môže dôjsť k trvalej strate sluchu.
- Pri práci s produktom neustále používajte kompletnú ochranu zraku. Výrobca dôrazne odporúča celotvárovú masku alebo úplne uzavreté ochranné okuliare. Štandardné okuliare alebo slnečné okuliare nie sú primeranou ochranou. Siný prúd vzduchu môže kedykoľvek spôsobiť vymrštenie predmetov vysokou rýchlosťou a tieto sa môžu odraziť od pevných povrchov smerom k obsluhujúcemu.
- Pri práci s produktom vždy používajte pevnú obuv a dlhé nohavice. Nepoužívajte nástroj bosí alebo v otvorených sandáloch. Nenoste odev, ktorý je voľný alebo má voľne visiace šnúrky či pútko.
- Nenoste voľný odev, ani šperky, ktoré by sa mohli vtiahnúť do prívodu vzduchu. Dlhé vlasy zaistite, aby boli nad úrovňou pliec a nedošlo tak k ich zamotaniu do pohyblivých dielov.
- Pred každým použitím skontrolujte, či všetky ovládacie prvky a bezpečnostné zariadenia fungujú správne. Produkt nepoužívajte, ak hlavný spínač nevypína motor.
- S produktom pracujte v odporúčanej polohe a len na pevnom a rovnom povrchu.
- Nepracujte so strojom na dláždenom alebo štrkovom povrchu, kde by vyrážaný materiál mohol spôsobiť poranenie.
- Pred každým použitím vždy skontrolujte kryt, či nie je poškodený. Skontrolujte, či sú ochranné kryty a rukoväte na mieste a správne zaistené. Opatrebované alebo poškodené komponenty vymieňajte v súpravách, aby sa zachovalo vyváženie. Poškodené alebo nečitateľné štítky vymeňte.
- Keď sa v blízkosti nachádzajú iné osoby, najmä deti alebo domáce zvieratá, nepoužívajte nástroj.



- Zo všetkých otvorov na chladiaci vzduch odstraňujte úlomky.
- Pred fúkaním uvoľnite záhradný odpad pomocou hrablí a metly.
- Pred každým použitím vyčistite pracovisko. Odstráňte všetky objekty ako kamene, rozbité sklo, klince, drôty alebo pružiny, ktoré by sa mohli vymrštiť do značnej vzdialenosti následkom vysokej rýchlosti vzduchu.

⚠ VAROVANIE

Pred používaním tohto výrobku v režime vysávača musíte spolu zložiť hornú a spodnú vysávaciu trubicu. Toto zloženie sa vykonáva iba jedenkrát. Nikdy nepracujte s vysávačom len s nasadenou hornou nasávacou trubicou. Pri nedodržaní tohto varovania výrazne vzrastá riziko osobného poranenia.

POUŽÍVANIE AKUMULÁTORA A STAROSTLIVOSŤ OŇ

- Nabíjajte len s použitím nabíjačky špecifikovanej výrobcom. Nabíjačka, ktorá je vhodná pre jeden typ jednotky akumulátora, môže pri použití s inou jednotkou akumulátora spôsobiť riziko požiaru.
- Používajte len mechanické nástroje so špecificky určenými jednotkami akumulátorov. Pri použití iných jednotiek akumulátora vzniká riziko poranenia a požiaru.
- Keď sa jednotka akumulátora nepoužíva, nedávajte ju do blízkosti iných kovových objektov, ako sú papierové sponky, mince, kľúče, klince, skrutky či iné malé kovové predmety, ktoré by mohli skratovať svorky. Pri skratovaní svoriek akumulátora môže dôjsť k popáleninám alebo požiaru.
- Za nevhodných podmienok, keď by z batérie vytekala kvapalina, predchádzajte kontaktu s ňou. Pri náhodnom kontakte opláchnite vodou. Ak tekutina zasiahne oči, dodatočne vyhľadajte lekársku pomoc. Tekutina vytečená z akumulátora môže spôsobiť podráždenie alebo popáleniny.
- Poškodenú alebo upravenú súpravu batérií alebo náradie nepoužívajte. Poškodené alebo upravené batérie môžu vykazovať nepredvídateľné správanie s následkom

požiaru, výbuchu alebo poranenia.

- Súpravu batérií ani náradie nevystavujte účinkom ohňa ani nadmerných teplôt. Vystavenie účinkom ohňa alebo nadmernej teploty nad 130°C môže spôsobiť výbuch.
- Dodržiavajte všetky pokyny na nabíjanie a súpravu batérií ani náradie nenabíjajte mimo rozsahu teplôt, ktorý je uvedený v pokynoch. Nesprávne nabíjanie alebo nabíjanie pri teplotách mimo uvedeného rozsahu môže poškodiť batériu a zvýšiť riziko vzniku požiaru.

PREVÁDZKA

- Pred spustením produkt vždy skontrolujte, či je podávacia komora prázdna.
- Nedávajte tvár a telo do blízkosti vstupného otvoru.
- So zariadením pracujte len v rozumných hodinách – nie skoro ráno alebo neskoro večer, kedy by to mohlo rušiť ostatných ľudí.
- Nikdy nepracujte so zariadením vo výbušnej atmosfére.
- Nepoužívajte produkt v zlom počasí, najmä ak existuje riziko vzniku bleskov.
- Nepracujte pri nedostatočnom osvetlení. Obsluhujúci musí mať jasný výhľad na pracovný priestor, aby mohol identifikovať potenciálne nebezpečenstvo.
- Pri používaní podobných nástrojov v blízkosti sa zvyšuje riziko poranenia sluchu a potenciál pre ostatné osoby, ktoré vstúpia do pracovného priestoru.
- Na svahoch vždy dbajte na pevnú oporu nôh. Chodte krokom, nikdy nebežte.
- Dávajte pozor, sa dovnútra podávacej komory, vyprázdňovacieho žlabu alebo do blízkosti akéhokoľvek pohybujúceho sa dielu, nedostali ruky alebo akékoľvek iné časti tela či odevu.
- Udržujte bezpečný postoj a rovnováhu. Neprečunujte sa. Preceňovanie sa môže spôsobiť stratu rovnováhy.
- Nikdy nepracujte so zariadením, ktoré má poškodené ochranné vodidlá alebo kryty alebo nemá nasadené bezpečnostné zariadenia, napríklad zberač sutiny.
- Zariadenie žiadnym spôsobom neupravujte ani nepoužívajte diely či príslušenstvo, ktoré neodporúča výrobca.

EN
FR
DE
ES
IT
NL
PT
DA
SV
FI
NO
RU
PL
CS
HU
RO
LV
LT
ET
HR
SL
SK
BG
UK
TR



⚠ VAROVANIE

Ak produkt spadne, utrpí silný náraz alebo začne neštandardne vibrovať, okamžite ho zastavte s skontrolovaním, či nedošlo k poškodeniu alebo zistíte príčinu vibrácií. Akékoľvek poškodenie sa musí náležite opraviť alebo vymeniť v autorizovanom servisnom centre.

- Aby ste znížili riziko poranenia spojeného s kontaktom s rotujúcimi dielmi, výrobok vždy zastavte a vyberte z neho súpravu batérií. Uistite sa, že sa všetky pohyblivé diely úplne zastavili pred:
 - ponechanie produktu bez dozoru
 - čistením zablokovaného alebo upchatého vývodu na odsávanie
 - kontrolou, čistením alebo prácou na výrobku
 - kontrole výrobku po náraze na neznámy predmet
- Okamžite vypnite a vyberte batérie v prípade nehody alebo poruchy. Nepoužívajte výrobok znovu, pokiaľ nebude úplne skontrolovaný autorizovaným servisným strediskom.

BEZPEČNOSTNÉ VÝSTRAHY PRE DÚCHADLO

- Noste ochrannú tvárovú masku v prašných podmienkach, aby ste znížili riziko zranenia spojené s vdýchnutím prachu.
- V prašnom prostredí mierne navlhčite povrchy.
- Nepoužívajte zariadenie v blízkosti otvorených okien.
- Použite nástavec so širokou dýzou dúchadla, aby prúd vzduchu mohol zaberáť v blízkosti zeme.
- Nesmerujte trysku dúchadla smerom na ľudí alebo zvieratá.
- Do rúrok dúchadla nikdy nekladajte žiadne predmety.
- Nedávajte výrobok navrch alebo blízko uvoľneného odpadu. Do nasávacieho otvoru sa môže vsať sutina, čo by pravdepodobne spôsobilo poškodenie zariadenia.

BEZPEČNOSTNÉ VÝSTRAHY PRE VYSÁVAČ

⚠ VAROVANIE

Nikdy nepracujte s vysávačom len s nasadenou hornou nasávacou trubicou. Pri nerešpektovaní tejto výstrahy sa zvyšuje riziko poranenia osôb.

POZNÁMKA: Bez nasadenej spodnej vysávacej hadice sa dá oveľa ľahšie dosiahnuť dovnútra trubice k lopatke ventilátora.

- Nepoužívajte vysávač bez namontovanej jednotky zberného vaku na sutinu. Odlietavajúca sutina by mohla spôsobiť vážne poranenie. Pred prácou skontrolujte, či je zberný vak na sutinu v bezchybnom stave a úplne zatvorený.
- Pohybujte s výrobkom zo strany na stranu pozdĺž vonkajšieho kraja nečistôt. Aby nedošlo k upchatiu, neprikladajte trubicu vysávača priamo ku kope sutiny.
- Motor držte vyššie ako vstupný koniec trubice vysávača.
- Aby nedošlo k vážnemu poraneniu obsluhujúcej osoby alebo poškodeniu zariadenia, nenasávajte kamene, rozbité sklo, fľaše či iné podobné predmety.
- Predchádzajte situáciám, pri ktorých by mohlo dôjsť k požiaru v zbernom vaku na sutinu. Nepracujte v blízkosti otvoreného ohňa. Nevysávajte teplý popol z kozubov, zvyšky z grilu, z krovín atď. Nevysávajte odhodené cigary alebo cigarety, až kým ich popol úplne nevychladne.
- Žiadnu časť tela nedávajte do blízkosti žiadnej pohybujúcej sa časti. Rotujúce lopatky kolesa môžu zapríčiniť vážne zranenie. Predtým, ako otvoríte dvierka vysávača, budete inštalovať či vymieňať rúrky, otvárať či odstraňovať vrecko na sutinu, vždy zastavte motor a skontrolujte, či sa ostria lopatkového kolesa zastavili.
- Pri vysávaní materiálu do výrobku sa ubezpečte, že sa dnu nedostávajú kusy kovu, kamene, fľaše, plechovky alebo iné cudzie predmety.
- Nedovoľte, aby sa spracovaný materiál usádzal v oblasti vyprázdňovania. Mohlo by brániť správne vyprázdňovaniu a spôsobiť spätné vyhodenie materiálu cez sací otvor.

- Ak sa výrobok začína upchávať, pred vyčistením nečistôt zastavte motor a vyberte jednotku akumulátora z jednotky.

DOPLNKOVÉ BEZPEČNOSTNÉ VÝSTRAHY PRE BATÉRIU

⚠ VAROVANIE

Aby ste zabránili nebezpečenstvu požiaru spôsobeného skratom, poraneniam alebo poškodeniam výrobku, neponárajte náradie, výmennú batériu alebo nabíjačku do kvapalín a postarajte sa o to, aby do zariadení a akumulátorov nevnikli žiadne tekutiny. Korodujúce alebo vodivé kvapaliny, ako je slaná voda, určité chemikálie a bieliacie prostriedky alebo výrobky, ktoré obsahujú bielicidlo, môžu spôsobiť skrat.

PREPRAVA A SKLADOVANIE

- Pred uskladnením alebo prepravou zastavte produkt, vyberte akumulátor a nechajte ho vychladnúť.
- Odstráňte zo zariadenia všetky cudzie materiály. Odložte ho na suché a dobre vetrané miesto, na ktoré nemajú prístup deti. Náradie neuskladňujte v blízkosti žieravých látok, ako napríklad v blízkosti záhradníckych chemických prípravkov alebo solí na zimný posyp komunikácií. Neskladujte v exteriéri.
- Pri preprave zaistite produkt pred pohybom alebo pádom, aby nedošlo k poraneniu osôb alebo poškodeniu produktu.

PREPRAVA LÍTIOVÝCH AKUMULÁTOROV

Akumulátory prepravujte v súlade s miestnymi smernicami a nariadeniami.

Keď akumulátory prepravuje tretia strana, dodržiavajte všetky požiadavky na balení a označení. Zabezpečte, aby počas prepravy akumulátory neprišli do kontaktu s inými akumulátormi ani vodivými materiálmi – chráňte obnažené konektory pomocou izolácie, nevodivými viečkami alebo páskou. Neprepravujte akumulátory, ktoré sú prasknuté alebo vytekajú. Ďalšie pokyny zistíte u nasledujúcej spoločnosti.

ÚDRŽBA

⚠ VAROVANIE

Používajte len originálne náhradné diely, príslušenstvo a nástavce výrobcu. V opačnom prípade môže dôjsť k možnému poraneniu, nedostatočnému výkonu a strate platnosti záruky.

⚠ VAROVANIE

Údržba vyžaduje extrémnu starostlivosť a znalosti, a musí byť prevádzaná výhradne v autorizovanom servise. Ak chcete vykonať servis, prineste produkt do autorizovaného servisného centra. Pri servise používajte len originálne náhradné diely výrobcu.

- Nevykonávajte úpravy a opravy, ktoré nie sú popísané v tomto návode. Pri ostatných opravách alebo ak potrebujete radu, vyhľadajte pomoc v autorizovanom servisnom centre.
- Po každom použití vyčistite produkt mäkkou suchou tkaninou.
- Skontrolujte všetky skrutky, matice v častých intervaloch či sú riadne utiahnuté, aby sa zaistila bezpečná prevádzka produktu. Akýkoľvek poškodený diel sa musí náležite opraviť alebo vymeniť v autorizovanom servisnom centre.
- Prineste produkt to autorizovaného servisného centra na výmenu poškodených alebo nečitateľných štítkov.

ODSTRÁNENIE UPCHATIA

- Na zníženie rizika poranenia následkom kontaktu s rotujúcimi dielmi pred nasledujúcimi činnosťami vždy zastavte produkt, vyberte jednotku akumulátora a skontrolujte, či sa všetky pohybujúce diely úplne zastavili.
- Zložte trubice fúkača, aby ste mohli skontrolovať, či nie je zablokovaný. V prípade potreby vyčistite trubice.
- Odstráňte zberný vak na sutinu. Skontrolujte, či je adaptér na vak nie je upchatý.
- Skontrolujte otvor do krytu ventilátora a trubicu do vrečka na sutinu, či nenájdete známky upchatia. Pamätajte, že aj keď je akumulátor vybrať, lopatky ventilátora

a mulčovacie lopatky sa môžu pri čistení upchatia pohybovať. Prsty nikdy nedávajte do blízkosti lopatiek ventilátora a mulčovacích lopatiek.

- Nepokúšajte sa odstrániť lopatku ventilátora alebo mulčovaciu lopatku. Ak je nevyhnutné odstrániť lopatky ventilátora a mulčovacie lopatky, zaneste produkt do autorizovaného servisného centra.
- Predtým, ako vložíte jednotku akumulátora a spustíte produkt, znova namontujte trubice a zberný vak na sutinu.

ZVÝŠKOVÉ RIZIKÁ

Aj keď sa nástroj používa podľa predpisu, nie je možné eliminovať určité zvyškové rizikové faktory. Pri použití vznikajú nasledujúce riziká a obsluhujúca osoba musí venovať zvláštnu pozornosť, aby nedošlo k nasledovnému:

- Zranenie spôsobené vibráciami
 - Vždy používajte vhodný nástroj pre danú úlohu, používajte určené rukoväte a použite najnižšiu rýchlosť potrebnú na vykonanie úlohy.
- Vystavovanie hluku môže spôsobiť poranenie sluchu.
 - Používajte ochranu sluchu a obmedzte expozíciu.
- Zranenie spôsobené predmetmi, ktoré pri vyfukovaní odleteli z trubice, v prípade, že zberný vak na odpad nie je nasadený alebo je poškodený.
 - Neustále používajte ochranu zraku.

OBMEDZENIE RIZIKA

Boli hlásené prípady, kedy vibrácie z ručných nástrojov u niektorých osôb prispeli k stavu nazývanému Raynaudov syndróm. K symptómom patria: trpnutie, znečítlenie a blednutie prstov, zvyčajne zjavné po vystavení zime. Je známe, že k vývoju týchto symptómov prispievajú: dedičné faktory, vystavovanie zime a vlhkosti, diéta, fajčenie a pracovné návyky. Opatrenia, ktoré môže vykonať obsluhujúca osoba na možné zníženie účinkov vibrácií:

- V studenom počasí udržiavajte svoje telo v teple. Pri práci s produktom noste rukavice, aby ste mali ruky a zápästia v teple.
- Po každom určitom časovom úseku prevádzky cvičte, aby ste zlepšili krvný obeh.

- Počas práce si doprajte časté prestávky. Obmedzte počet vystavení za deň.

Ak zistíte ktorýkoľvek zo symptómov tohto stavu, okamžite prerušte používanie zariadenia, navštívte svojho lekára a povedzte mu o symptómoch.

VAROVANIE

Pri dlhodobom alebo zvýšenom používaní môže dôjsť k zraneniam. Pri používaní nástroja príliš dlhé obdobia si vždy doprajte pravidelné prestávky.

OBOZNÁMTE SA S VAŠÍM PRODUKTOM

Pozrite stranu 161.

1. Predná rukoväť
2. Rúčka s rýchlym uvoľnením
3. Podložka na plece
4. Páčka na ovládanie pohybu
5. Tlačidlo režimu turbo
6. Rúčka
7. Spínač
8. Voliaca páčka režim dýchadla/vysávača
9. Adaptér na vak
10. Vrečko vysávača
11. Spodná vyfukovacia trubica
12. Vodiace kolieska
13. Spodná nasávací trubica
14. Horná nasávací trubica
15. Závit s poistkou

SYMBOLY NA PRODUKTE



Pred použitím produktu si s porozumením prečítajte všetky pokyny a dodržiavajte výstražné a bezpečnostné upozornenia.



Pozor na vymrštené alebo odletujúce objekty. Všetky okolostojace osoby (najmä deti a domáce zvieratá) musia stáť minimálne 15 m od miesta práce



Rotujúce ventilátory. Nedávajte ruky ani nohy do otvorov, keď je produkt spustený.



Používajte chrániče sluchu



Používajte chrániče zraku



Nevystavujte dažďu ani nepoužívajte vo vlhkom prostredí.



Garantovaná hladina akustického výkonu je 99 dB



Kompatibilné príslušenstvo: RAC364



Vyberte sadu batérií pred vykonávaním akýchkoľvek prác na výrobku.



Ťahať: Výložka rýchleho uvoľnenia



Vyhovuje všetkým regulačným normám v krajine EÚ, v ktorej bol výrobok zakúpený.



Euroázijská značka zhody



Ukrajinské označenie zhody



Opotrebované elektrické zariadenia by ste nemali odhadzovať do domového odpadu. Prosíme o recykláciu ak je možné. Kontaktujte miestne úrady, alebo predajcu pre viac informácií ohľadom ekologického spracovania.



Režim dúchadla



Režim vysávania

SYMBOLY V TOMTO NÁVODE



Poznámka



Varovanie



Diely alebo príslušenstvo predávané samostatne

Nasledujúce značky a významy vysvetľujú úroveň rizika spojeným s výrobkom.

⚠ NEBEZPEČENSTVO

Označuje bezprostredne nebezpečnú situáciu, ktorá môže vyústiť v smrť, alebo vážne zranenie.

⚠ VAROVANIE

Označuje potenciálne nebezpečnú situáciu, ktorá môže vyústiť v smrť, alebo vážne zranenie.

⚠ VÝSTRAHA

Označuje potenciálne nebezpečnú situáciu, ktorá môže vyústiť v ľahké, alebo stredne ťažké zranenie.

VÝSTRAHA

Bez symbolu bezpečnostného alarmu
Označuje situáciu, ktorá môže zapríčiniť poškodenie majetku.

Безопасността, производителността и надеждността са аспектите, на които е отделен най-голям приоритет при проектирането на вашата безжична машина за обдуване/засмукване.

ПРЕДНАЗНАЧЕНИЕ

Безжичната машина за обдуване/засмукване е предназначена за използване на открито и при сухи условия с добра осветеност.

Продуктът не е предназначен за използване от деца или от лица с намалени физически, сетивни или умствени способности.

Продуктът е предназначен за обдуване и засмукване на леки отпадъци, включително листа, трева и други градински отпадъци. Той е предназначен за всмукване и мулчиране на остатъци и отпадъци в торбата за събиране.

Продуктът не е проектиран за всмукване във вода или други течности. Не го използвайте за никакви други цели.

ОБЩИ ПРЕДУПРЕЖДЕНИЯ ЗА БЕЗОПАСНОСТ

⚠ ПРЕДУПРЕЖДЕНИЕ

Прочетете всички предупреждения относно безопасността и всички инструкции. Неспазването на предупрежденията и инструкциите може да доведе до токов удар, пожар и/или сериозни наранявания. Съхранявайте всички предупреждения и инструкции за бъдещи справки.

⚠ ПРЕДУПРЕЖДЕНИЕ

Никога не позволявайте продуктът да бъде използван от деца или от лица, незапознати с настоящите инструкции. Местните наредби могат да налагат ограничения за възрастта на оператора.

ОБУЧЕНИЕ

- Прочете инструкциите внимателно. Запознайте се с контролите за управление и правилното използване на продукта.
- Трябва да знаете, че операторът или потребителят е отговорен за

причиняването на злополуки или щети на други лица или имущество.

- Никога не използвайте продукта, ако сте уморени, болни или под влиянието на алкохол, наркотични вещества или лекарства.

ПОДГОТОВКА

- В някои региони има разпоредби, ограничаващи използването на продукта до определени операции. За съвети се обръщайте към местните власти.
- При работа с продукта винаги носете защитни средства за слуха. Тази машина е изключително шумна и може да възникне трайна загуба на слуха, ако не се спазват стриктно предпазните мерки за ограничаване на излагането и намаляване на нивата на шума, както и за носене на защитни средства за слуха.
- При работа с продукта винаги носете всички необходими защитни средства за очите. Производителят силно препоръчва използването на маска за цяло лице или на защитни очила, които са плътно прилепнали до очите. Обикновените или слънчевите очила не представляват надеждна защита. Мощната въздушна струя може да предизвика отхвърчането на предмети с висока скорост, като те могат да рикошират от твърди повърхности към оператора.
- Когато използвате продукта, винаги носете здрави затворени обувки и дълъг панталон. Не използвайте инструмента, ако сте боси или носите отворени сандали. Избягвайте носенето на широки дрехи или дрехи с висящи шнураве или вратовръзки.
- Не носете широки дрехи или украшения, които могат да бъдат захванати във входящия вентилационен отвор. Дългата коса трябва да бъде прибрана на ниво над раменете, за да се избегне нейното заплитане в движещите се части.
- Преди всяка употреба проверявайте дали всички контроли и устройства за безопасност функционират правилно. Не използвайте продукта, ако превключвателят "OFF" ("Изключване") не спира мотора.



EN
FR
DE
ES
IT
NL
PT
DA
SV
FI
NO
PL
RU
CS
HU
RO
LV
LT
ET
HR
SL
SK
BG
UK
TR

- Заемайте правилна позиция при работа с продукта и винаги го поставяйте върху стабилна и равна повърхност.
- Не използвайте тази машина на павирана или чакълеста повърхност, където изхвърлен материал може да причини нараняване.
- Преди използване винаги проверявайте корпуса за повреди. Уверете се, че предпазителите и ръкохватките са поставени на мястото им и са надеждно затегнати. Заменете износените или повредените компоненти заедно, за да запазите баланса. Заменете повредените или нечетими етикети.
- Никога не използвайте инструмента, докато наблизо има хора, особено деца или домашни любимци.
- Дръжте всички охлаждащи вентилационни отвори чисти от отпадъци.
- Разрежете отпадъците с помощта на гребло и метла преди обдухване.
- Винаги почиствайте работното пространство, преди да използвате уреда. Премахвайте всички предмети като камъни, счупени стъкла, пирони, жици или телове, които могат да отхвъркнат на значително разстояние от силната въздушна струя.

▲ ПРЕДУПРЕЖДЕНИЕ

Преди да използвате продукта в режим на всмукване, трябва да съедините горната и долната всмукателна тръба. Това се прави само веднъж. Никога не работете с уреда за засмукване, ако е монтирана само горната засмукваща тръба. Рискът от физически наранявания се увеличава значително, ако не спазвате това предупреждение.

ИЗПОЛЗВАНЕ И ОБСЛУЖВАНЕ НА ИНСТРУМЕНТА С БАТЕРИЯ

- Презареждайте единствено със зарядното устройство, посочено от производителя. Зарядно устройство, подходящо за зареждане на един вид батерии, може да предизвика риск от пожар, ако бъде използвано за други батерии.
- Използвайте електрически инструменти

с батерии единствено със специално предназначенията за тях батерии. Използването на всякакви други батерии може да създаде риск от нараняване и пожар.

- Когато батерията не се използва, съхранявайте я далеч от други метални обекти, като например кламери, монети, ключове, гвоздеи, гайки или други малки метални обекти, които могат да направят връзка между клемите. Късото съединение от клемите може да доведе до изгаряния или пожар.
- При неправилно използване батерията може да отдели течност; избягвайте контакт. Ако случайно настъпи контакт, промийте с вода. Ако течността влезе в контакт с очите, потърсете допълнително медицинска помощ. Отделената от батерията течност може да причини възпаление или изгаряния.
- Не използвайте акумулаторна батерия или инструмент, които са повредени или променени по някакъв начин. Повредените или променени батерии могат да работят по непредсказуем начин, което да доведе до пожар, взрив или опасност от наранявания.
- Не излагайте акумулаторната батерия или инструмент на огън или прекалено висока температура. Излагането на огън или на температура над 130°C може да причини взрив.
- Следвайте всички инструкции за зареждане и не зареждайте акумулаторната батерия или инструмента извън температурния диапазон, посочен в инструкциите. Неправилното зареждане или зареждането при температури извън посочения диапазон може да повреди батерията и да увеличи риска от пожар.

РАБОТА

- Преди стартиране на продукта се уверете, че захранващият улей е празен.
- Дръжте лицето и тялото си на безопасно разстояние от входящия отвор.
- Работете с машината само в подходящо за това време - извън ранните сутрешни и късните вечерни часове, когато е възможно да пречите на други хора.
- Никога не работете с уреда в



експлозивна среда.

- Избягвайте да използвате продукта при лоши метеорологични условия, особено ако има риск от мълнии.
- Не използвайте тази машина при слабо осветление. Операторът трябва да има чиста видимост върху работното пространство, за да идентифицира потенциални опасности.
- Ако наблизко се работи с подобни уреди, това увеличава както риска от увреждане на слуха, така и вероятността други хора да навлязат във вашето работно пространство.
- Винаги стъпвайте внимателно и стабилно на стръмни повърхности. Вървете, никога не тичайте, когато косите.
- Внимавайте ръцете или други части на тялото или дрехите ви да не попадат във фунията за пълнене или улея за изхвърляне, както и да не се доближават до движещите се елементи.
- Заемайте стабилна позиция и пазете баланс. Не се протягайте, за да работите на трудно достижими места. Протягането може да доведе до загуба на равновесие.
- Никога не използвайте продукта с повредени предпазители или странични екрани, както и без необходимите защитни устройства, например без монтиран чувал за отпадъци.
- Не модифицирайте машината по никакъв начин и не използвайте части и принадлежности, които не са препоръчани от производителя.

▲ ПРЕДУПРЕЖДЕНИЕ

Ако продуктът бъде изпуснат, претърпи силен удар или започне да вибрира неестествено, незабавно изключете продукта и проверете за повреди или се опитайте да идентифицирате причината за вибрирането. Поправките и замените на части при повреда трябва да се извършват от оторизиран сервизен център.

- За да се намали рискът от нараняване, свързан с контактуване с въртящи се части, винаги спирайте продукта и

изваждайте акумулаторната батерия. Уверете се, че всички движещи се части са спрели напълно преди:

- оставяне на продукта без надзор
 - почистване на блокиращи материали или отпушване на отвори
 - проверяване, почистване или работа с машината
 - проверка на продукта след удар в чужд предмет
- Ако възникне инцидент или повреда, незабавно изключете и извадете батерията. Не работете с продукта отново, докато той не премине щателна проверка в оторизиран сервизен център.

ПРЕДУПРЕЖДЕНИЯ ЗА БЕЗОПАСНОСТ В РЕЖИМ НА ОБДУХВАНЕ

- При работа в прашни условия носете филтърна маска, за да се намали опасността от заболявания на дихателните пътища в следствие на вдишването на прах.
- Навлажнявайте леко повърхностите при работа в прашни условия.
- Не работете с машината в близост до отворени прозорци.
- Използвайте пълната дължина на приставката за обдухване, за да може въздушният поток да преминава близо до земята и да обдухва ефективно.
- Не насочвайте дюзата за обдухване срещу хора или животни.
- Никога не поставяйте предмети вътре в обдухващите тръби.
- Не оставяйте продукта върху или близо до хлабави отломки. Възможно е входящият вентилационен отвор да засмуче отпадъците и те да повредят машината.

ПРЕДУПРЕЖДЕНИЯ ЗА БЕЗОПАСНОСТ В РЕЖИМ НА ЗАСМУКВАНЕ

▲ ПРЕДУПРЕЖДЕНИЕ

Никога не работете с уреда за засмукване, ако е монтирана само горната засмукваща тръба. Неспазването на това предупреждение увеличава риска от физически наранявания.



ЗАБЕЛЕЖКА: Когато всмукателната тръба не е монтирана, е много по-лесно да стигнете до перката през тръбата.

- Не използвайте уреда за засмукване, ако чувалът за отпадъци не е монтиран. Летящите отломки могат да причинят тежки наранявания. Преди работа се уверете, че чувалът за събиране на отпадъци е в добро състояние и е затворен изцяло.
- Придвижвайте продукта от край до край, започвайки от външния край на пространството, което ще почиствате. За да избегнете запушване на засмукващата тръба, не я насочвайте директно към купчината с отпадъци.
- Дръжте мотора по-високо от входящия отвор на засмукващата тръба.
- За да избегнете нараняване на оператора или повреда на машината, не засмуквайте камъни, счупени стъкла, бутилки или други подобни предмети.
- Избягвайте ситуации, които могат да предизвикат пожар в чувала за отпадъци. Не използвайте тази машина в близост до открит огън. Не засмуквайте гореща пепел от камини, скари за барбекю, купчини със сухи растения и др. подобни. Не засмуквайте фасове от цигари или пури, освен ако не сте убедени, че са напълно изгаснали.
- Дръжте движещите се части на разстояние от тялото си. Въртящата се перка на ротора може да нанесе тежки контузии. Спрете двигателя и изчакайте перката на ротора да спре да се върти, преди да отворите решетката на всмукателното устройство или да монтирате/смените тръбите.
- Когато подавате материали в продукта, се уверете, че в тях няма частици от метали, камъни, бутилки, метални кутии или други чужди обекти.
- Не позволявайте материалите, които обработвате, да се натрупват на мястото на изхвърляне. Това може да попречи на правилното изхвърляне и да доведе до откат на материала през всмукателния отвор.
- Ако продуктът се задръсти, спрете двигателя и извадете батерията, преди да почистите отпадъците.

ДОПЪЛНИТЕЛНИ ПРЕДУПРЕЖДЕНИЯ ЗА БЕЗОПАСНОСТ ЗА БАТЕРИЯТА

▲ ПРЕДУПРЕЖДЕНИЕ

За да избегнете опасността от пожар, предизвикана от късо съединение, както и нараняванията и повредите на продукта, не потапяйте инструмента, сменяемата акумулаторна батерия или зарядното устройство в течности и се погрижете в уредите и акумулаторните батерии да не попадат течности. Течностите, предизвикващи корозия или провеждащи електричество, като солена вода, определени химикали, избелващи вещества или продукти, съдържащи избелващи вещества, могат да предизвикат късо съединение.

ТРАНСПОРТИРАНЕ И СЪХРАНЕНИЕ

- Спрете продукта, свалете батерията и изчакайте машината да се охлади, преди да я транспортирате или да я приберете за съхранение.
- Почистете продукта от всички чужди частици. Съхранявайте я на хладно, сухо и добре проветрявано място, което е недостъпно за деца. Не го оставяйте в близост до корозивни материали като градински химикали или соли за размразяване. Не съхранявайте на открито.
- Когато транспортирате продукта, го обезопасете така, че да не може да се движи или да падне, защото това може да доведе до евентуални наранявания на хора или повреди по продукта.

ТРАНСПОРТИРАНЕ НА ЛИТИЕВИ БАТЕРИИ

Транспортирайте батериите в съответствие с местните и национални постановления и разпоредби.

Спазвайте всички специални изисквания за пакетиране и етикетирание, когато транспортирате батерии чрез трето лице. Уверете се, че батериите не влизат в контакт с други батерии или проводими материали по време на транспортиране, като предпазете откритите конектори с изолация, непроводими капачета или лента. Не транспортирайте батерии,



които са спукани или текат. Свържете се със следната компания за допълнителен съвет.

ПОДДРЪЖКА

⚠ ПРЕДУПРЕЖДЕНИЕ

Използвайте само оригинални резервни части, аксесоари и приставки от производителя. В противен случай може да се влоши работата на инструмента или да получите тежки контузии, а гаранцията ви ще стане невалидна.

⚠ ПРЕДУПРЕЖДЕНИЕ

Сервизното обслужване изисква изключително внимание и специфични познания и следва да бъде извършвано само от квалифициран техник. За сервизно обслужване занесете продукта в оторизиран сервизен център. При извършване на сервизни дейности използвайте само оригинални резервни части от производителя.

- Не правете корекции или поправки, които не са описани в настоящото ръководство. За други поправки или съвети потърсете съдействието от оторизиран сервизен център.
- Всеки път след употреба почиствайте продукта с мека и суха кърпа.
- Периодично проверявайте дали всички гайки, болтове и винтове са правилно затегнати, за да сте сигурни, че продуктът е в изправност. Всяка повредена част трябва да бъде поправена или заменена от упълномощен сервизен център.
- Занесете продукта в оторизиран сервизен център, ако е необходима замяна на повредени или нечетливи етикети.

ИЗЧИСТВАНЕ НА ЗАПУШВАНЕ

- За да намалите опасността от нараняване при контакт с движещите се части, винаги спирайте продукта, сваляйте акумулаторната батерия и изчакайте всички движещи се части напълно да спрат движението си:

- Свалете тръбите за обдухване, за да проверите за запушване. Отпуснете тръбите, ако е необходимо.
- Свалете чувала за събиране на отпадъци. Проверете дали по адаптера на чувала няма натрупани отпадъци.
- Проверете за запушвания отвора към вентилаторното отделение и тръбата, водеща към чувала за отпадъци. Запомнете, че дори при свалена батерия вентилаторът и мулчиращите остриета могат да се движат, докато почиствате запушвания. По всяко време дръжте пръстите си далеч от вентилатора и мулчиращите остриета.
- Не опитвайте да демонтирате вентилатора или някое от мулчиращите остриета. Ако е необходим демонтаж на вентилатора или на някое от мулчиращите остриета, занесете продукта в оторизиран сервизен център.
- Поставете обратно тръбите и чувала за събиране на отпадъци, преди да сложите батерията и да стартирате продукта.

НЕПРЕДВИДЕНИ РИСКОВЕ

Дори когато продуктът се използва по предназначение, е невъзможно напълно да се ограничи влиянието на определени рискови фактори. Рисковете, описани по-долу, може да възникнат по време на употреба и операторът трябва да внимава за избягването на следното:

- Нараняване, причинено от вибрация
 - Винаги използвайте подходящи инструменти за съответната дейност, дръжте уредите за предназначените ръкохватки и задавайте възможно най-ниската скорост, позволяваща извършването на конкретната работа.
- Излагането на шум може да доведе до увреждане на слуха.
 - Носете антифони и ограничете излагането.
- Съществува риск от наранявания от летящи предмети от въздушния поток от тръбата за обдухване, ако тръбата за събиране не е монтирана или е повредена
 - По всяко време носете защитни средства за очите.

НАМАЛЯВАНЕ НА РИСКА

Известно е, че вибрациите, произведени от ръчни инструменти може да предизвикат у някои индивиди заболяване, наречено Синдром на Рейнолд (Raynaud's Syndrome). Симптомите може да включват изтръпване, схващане и избледняване на пръстите, обикновено се забелязват при излагане на студ. Смята се, че наследствените фактори, излагането на студ и влага, диетите, пушенето и някои работни навици допринасят за развитието на тези симптоми. Могат да се вземат някои мерки, които могат да се предприемат от оператора, за да се намалят ефектите от вибрациите:

- Поддържайте телесната температура в студено време. Когато работите с продукта, носете ръкавици, за да поддържате ръцете и китките си топли.
- Правете упражнения за активизиране на кръвообращението след всеки работен цикъл.
- Редовно излизайте в почивка. Ограничете излагането на вибрации на ден.

При поява на някои от симптомите на това заболяване, незабавно прекратете употребата на инструмента и посетете лекар.

⚠ ПРЕДУПРЕЖДЕНИЕ

Продължителното използване на инструмента може да доведе до наранявания или влошаване. При използване на инструмента за продължителни периоди от време правете чести почивки.

ОПОЗНАЙТЕ ВАШИЯ ПРОДУКТ

Вж. страница 161.

1. Предна ръкохватка
2. Ръкохватка за бързо освобождаване
3. Подложка за рамо
4. Лост за автоматичен режим
5. Бутон за турборежим
6. Ръкохватка
7. Спусък
8. Лостче за превключване между режим на обдухване/засмукване
9. Адаптер на чувала

10. Торба за отпадъци
11. Долна тръба за обдухване
12. Направляващи колелета
13. Долна засмукваща тръба
14. Горна засмукваща тръба
15. Фиксиране на резбата

СИМВОЛИ НА ПРОДУКТА



Прочетете и осмислете всички указания, преди да започнете работа с продукта; спазвайте всички предупреждения и инструкции за безопасност.



Внимавайте за изхвърлени или летящи обекти. Не допускайте странични наблюдатели, особено деца и домашни животни, на по-малко от 15 м от работната зона.



Въртящи се перки. Дръжте крайниците си далече от отворите, докато продуктът работи.



Носете антифони



Носете защитни средства за очи



Не излагайте на дъжд и на влажни условия.



Гарантираното ниво на шум е 99 dB.



Съвместим аксесоар: RAC364



Извадете батерията, преди да започнете каквато и да е работа по уреда.



Дърпане: Щифт за бързо освобождаване



Тази машина е в съответствие с нормативната уредба на държавата от ЕС, където е била закупена.



EurAsian знак за съответствие



Украински знак за съответствие



Електрическите уреди не трябва да се изхвърлят заедно с битовите отпадъци. Рециклирайте, където има възможност. Обърнете се за съвет по рециклирането към местните власти или разпространителите.



Режим на обдухване



Режим на засмукване

СИМВОЛИ В НАСТОЯЩОТО РЪКОВОДСТВО



Забележка



Предупреждение



Частите или принадлежностите се продават отделно

Следните сигнални думи и значенията им са предназначени да обяснят нивата на опасност, свързани с този продукт.

⚠ ОПАСНОСТ

Указва неминуемо опасна ситуация, която ако не бъде избегната, ще доведе до сериозни наранявания или смърт.

⚠ ПРЕДУПРЕЖДЕНИЕ

Указва потенциално опасна ситуация, която ако не бъде избегната, може да доведе до сериозни наранявания или смърт.

⚠ ВНИМАНИЕ

Указва потенциално опасна ситуация, която ако не бъде избегната, може да доведе до дребни или средни наранявания.

ВНИМАНИЕ

Без предупредителен символ за безопасност

Указва ситуация, която може да доведе до имуществени щети.

Головними міркуваннями при розробці цієї бездротова повітродувки/пилососа були безпека, ефективність та надійність.

ПЕРЕДБАЧУВАНОМУ ВИКОРИСТАННІ

Бездротова повітродувка / пилосос призначений тільки для використання на відкритому повітрі, в сухих і добре освітлених умовах.

Продукт не призначений для використання дітьми або особами з обмеженими фізичними, розумовими або сенсорними можливостями.

Продукт призначений для видування і прибирання легкого сміття в тому числі листя, трави та іншого садового непотрібу. Пристрій призначений для прибирання та мульчування сміття, збору його у мішок для збору сміття.

Пристрій не призначений для всмоктування води або інших рідин. Не використовуйте для будь-яких інших цілей.

ЗАГАЛЬНІ ЗАХОДИ БЕЗПЕКИ

⚠ ПОПЕРЕДЖЕННЯ

Прочитайте всі правила безпеки та інструкції. Недотримання попереджень та інструкцій може призвести до ураження електричним струмом, пожежі та / або серйозної травми. Збережіть всі інструкції і вказівки для майбутнього використання.

⚠ ПОПЕРЕДЖЕННЯ

Ніколи не дозволяйте дітям або людям, не знайомим з цими інструкціями, використовувати продукт. Місцеве законодавство може обмежувати вік оператора.

ПІДГОТОВКА

- Уважно прочитайте інструкцію. Добре ознайомтеся з органами управління та правильним використанням машини.
- Майте на увазі, що оператор або користувач несе відповідальність за нещасні випадки або пошкодження спричинені іншим особам або їх майну.
- Не використовуйте цю машину, якщо

ви втомилися, хворі, або під впливом алкоголю, наркотиків або ліків.

ПІДГОТОВКА

- У деяких регіонах існують правила, що обмежують використання продукту для деяких операцій. Перевірте з вашим місцевим органом влади для консультацій
- Носіть захист органів слуху у весь час, працюючи з продуктом. Продукт дуже шумний і якщо інструкції про обмеження впливу, зниження рівня шуму і захисту органів слуху, не виконуються, це може призвести до безповоротної травми слуху.
- Носіть захист для очей увесь час під час роботи з продуктом. Виробник настійно рекомендує повну маску для обличчя або повністю закриті окуляри. Нормальні окуляри або сонцезахисні окуляри не є адекватним захистом. Об'єкти можуть бути кинуті на високій швидкості потужним струменем повітря в будь-який час і можуть відскочити від жорстких поверхонь до оператора.
- Під час роботи з продуктом, завжди носіть міцне взуття і довгі штани. Не експлуатуйте машину босоніж або у відкритих сандалях. Уникайте носити вільний одяг, або з висячними шнурками або зав'язками.
- Не одягайте вільний одяг або ювелірні прикраси, які можуть бути втягнуті у повітроприймальний отвір. Зафіксуйте довге волосся вище рівня плеча, щоб запобігти заплутуванню в будь-яких рухомих частинах.
- Перед кожним використанням переконайтеся, що всі елементи управління і безпеки функціонують правильно. Не використовуйте машину, якщо вимикач "ВИМК" не зупиняє машину.
- Використовуйте продукт в рекомендованій позиції, і тільки на твердій, рівній поверхні.
- Не працюйте з виобом на асфальтованому або гравійному покритті, де викинутий матеріал може привести до травми.
- Перед кожним використанням завжди перевіряйте корпус на наявність

пошкоджені. Переконайтеся, що захисти і ручки на місці і надійно закріплені. Замініть зношені або пошкоджені компоненти, для збереження балансу. Замініть пошкоджені або нечитабельні етикетки.

- Ніколи не використовуйте продукт, коли люди, особливо діти, або домашні тварини знаходяться неподалік.
- Тримайте всі повітрязабірники охолодження вільними від сміття.
- Перш ніж використовувати повітродувку, зменшіть обсяг сміття за допомогою граблів та мітли.
- Очистіть робочу зону перед кожним використанням. Видаліть всі предмети, такі як камені, розбите скло, цвяхи, дроти або мотузки, які можуть бути відкинуті на значну відстань потужним струменем повітря.

▲ ПОПЕРЕДЖЕННЯ

Перед використанням пристрою в режимі пилососа, необхідно з'єднати верхню та нижню вакуумні трубки. Це тільки одноразова операція. Ніколи не використовуйте пилосос з встановленою тільки верхньою вакуумною трубкою. Якщо не слідувати цьому попередженню, ризик травми значно підвищується.

ВИКОРИСТАННЯ І ДОГЛЯД ІНСТРУМЕНТУ НА БАТАРЕЙКАХ

- Перезаряджати тільки за допомогою зарядного пристрою, зазначеного виробником. Зарядний пристрій, що підходить для одного типу акумуляторів, може створити ризик загоряння при використанні з іншим акумуляторним блоком.
- Використовуйте електроінструменти тільки з призначеними для них акумуляторами. Використання будь-яких інших акумуляторів, може створити ризик отримання травми і пожежі.
- Коли акумуляторна батарея не використовується, тримайте її подалі від металевих предметів, таких як кліпси, монети, ключі, цвяхи, гвинти або інші невеликі металеві предмети, які можуть замкнути клеми. Коротке замикання контактів акумулятора може призвести

до опіків або пожежі.

- У важких умовах експлуатації, рідина може бути випущена з батареї; уникайте контакту. При випадковому контакті змийте водою. При потраплянні рідини в очі, зверніться за медичною допомогою. Рідина з акумулятора може викликати роздратування або опіки.
- Заборонено використовувати акумулятор або пристрій, що були пошкоджені або модифіковані. Використання пошкоджених або модифікованих акумуляторів може мати непередбачувані наслідки, серед яких: виникнення пожежі, вибуху та ризик травмування.
- Уникайте загоряння та високої температури акумулятору або пристрою. Загоряння або висока температура понад 130°C можуть стати причиною вибуху.
- Дотримуйтесь усіх інструкцій щодо заряджання пристрою та уникайте заряджання позадіапазоном температур, що позначені у інструкції. Неправильне заряджання або заряджання при температурі, поза межами позначеними в інструкції, може пошкодити акумулятор та підвищити ризик виникнення пожежі.

ФУНКЦІОНУВАННЯ

- Перед запуском продукту, переконайтеся, що камера подачі порожня.
- Тримайте обличчя і тіло подалі від впускного отвору подачі.
- Використовуйте продукт тільки в розумні години - не рано вранці або пізно вночі, коли люди можуть бути стривожені.
- Не використовуйте виріб у вибухонебезпечній атмосфері.
- Уникайте використання продукту в поганих погодних умовах, особливо, коли є ризик удару блискавки.
- Не використовуйте при поганому освітленні. Оператор потрібне чіткий огляд робочої області, щоб визначити потенційні небезпеки.
- Операції з аналогічними інструментами неподалік збільшує ризик травми слуху і можливість потрапляння інших осіб у робочу зону.



- Завжди будьте впевнені в опорі на схилах. Ходіть, ніколи не бігайте.
- Не дозволяйте руки, будь-яку іншу частину тіла або одягу усередину камери подачі, розвантажувального жолоба, або біля рухомої частини.
- Тримайте міцну опору і рывновагу. Не тягніться. Намагання дотягнутися можуть призвести до втрати рівноваги.
- Ніколи не працюйте з продуктом з дефектним захистом або щитками, або без захисних пристроїв, таких як колектор сміття, на місці."
- Не змінюйте продукт в будь-яким чином або не використовуйте деталі та аксесуари, які не рекомендовані виробником.

- Злегка змочіть поверхню в запилених умовах.
- Не використовуйте виріб поблизу відкритих вікон.
- Використовуйте повне розширення сопла воздуходувки так, щоб потік повітря міг працювати близько до землі і ефективно.
- Не спрямовуйте сопло повітродувки в напрямку людей або домашніх тварин.
- Ніколи не вставляйте предмети всередину труб повітродувки.
- Не розміщуйте пристрій на або поряд з сипучим сміттям. Сміття може всмоктатися в повітрозабірник, в результаті чого можливе пошкодження виробу.

⚠ ПОПЕРЕДЖЕННЯ

Якщо продукт впав, постраждав від важкого впливу або починає вібрувати, негайно зупиніть обладнання та перевірте на наявність пошкоджень або визначте причину вібрації. Будь-яке пошкодження має бути правильно відремонтовано або замінено в авторизованому сервісному центрі.

ТЕХНІКА БЕЗПЕКИ ПРИ РОБОТІ ВАКУУМАТОРА

⚠ ПОПЕРЕДЖЕННЯ

Ніколи не використовуйте пилосос з встановленою тільки верхньою вакуумною трубкою. Недотримання цього ПОПЕРЕДЖЕННЯ збільшує ризик отримання травми.

- Завжди зупиняйте пристрій та виймайте акумулятор, щоб знизити ризик травмування рухомими частинами пристрою. Переконайтеся, що всі рухомі частини повністю зупинились, перед:
 - залишенням продукту без нагляду
 - очищенням зачупорок або прочищення сміттепроводу;
 - перевірка, очищення, та робота із пристроєм
 - оглядом пристрою після всмоктування стороннього предмету
- Негайно вимкніть прилад та вийміть акумулятор у разі аварії або поломки. Не використовуйте прилад знову до проведення його повної перевірки в авторизованому сервісному центрі.

ПРИМІТКА: Набагато легше за допомогою трубки досягати крила вентилятора, якщо нижня труба пилососа не приладнана.

- Не використовуйте пилосос без встановленого мішка колектора сміття. Летаючі уламкі можуть призвести до серйозних травм. Переконайтеся, що сумка колектора сміття в хорошому стані і повністю закрита перед початком роботи
- Переміщуйте пристрій з боку в бік вздовж зовнішньої кромки сміття. Щоб уникнути засмічення, не встановлюйте вакуумну трубку прямо в купу сміття.
- Утримуйте двигун вище, ніж вхідний кінець вакуумної трубки.
- Щоб уникнути серйозної травми оператора або пошкодження виробу, не намагайтеся пилососити камені, бите скло, пляшки, або схожі об'єкти.
- Уникайте ситуацій, які можуть призвести до пожежі у мішку колектора сміття. Не використовуйте поблизу відкритого

ТЕХНІКА БЕЗПЕКИ ПРИ РОБОТІ З ПОВІТРОДУВКОЮ

- Носіть фільтруючу маску для обличчя в запилених умовах, щоб знизити ризик травми, пов'язаної з вдиханням пилу.



вогню. Не пилюсьте теплу золу з камінів і шашличні. Не пилюсьте кинуті сигари або сигарети, якщо попіл повністю не охолонув.

- Тримайте всі частини вашого тіла подалі від рухомої частини. Обертання лез робочого колеса може призвести до серйозних травм. Вимкніть двигун та переконайтеся, що лопасті робочого колеса зупинились перед тим, як відкрити пилюсосу, встановити/замінити трубки, відкрити або виїняти мішок для сміття.
- Коли збираєте матеріали за допомогою пристрою, переконайтеся, що металеві частини, каміння, пляшки, банки та інші сторонні предмети відсутні у смітті.
- Не дозволяйте оброблюваному матеріалу збиратися у зоні вивантаження. Це може заважати нормальному вивантаженню та спричинити зворотну віддачу матеріалу через впускний отвір.
- Якщо пристрій забився, зупиніть двигун та виймайте акумулятор перед тим, як перейти до прибирання сміття.

ДОДАТКОВІ ПОПЕРЕДЖЕННЯ З ТЕХНІКИ БЕЗПЕКИ ЩОДО ВИКОРИСТАННЯ АКУМУЛЯТОРІВ

▲ ПОПЕРЕДЖЕННЯ

Для запобігання небезпеці пожежі в результаті короткого замикання, травмам і пошкодженню виробів не занурюйте інструмент, змінний акумулятор або зарядний пристрій у рідину і не допускайте потрапляння рідини всередину пристроїв або акумуляторів. Корозійні і струмопровідні рідини, такі як солоний розчин, певні хімікати, вибілювальні засоби або продукти, що їх містять, можуть призвести до короткого замикання.

ТРАНСПОРТУВАННЯ ТА ЗБЕРІГАННЯ

- Перед зберіганням або транспортуванням зупиніть виріб, видаліть акумуляторну батарею та дайте їм охолонути.
- Почистіть всі сторонні матеріали

з продукту. Зберігайте продукт в прохолодному, сухому і добре провітрюваному місці, недоступному для дітей. Зберігати подалі від агресивних агентів, таких як садові хімікати і солей проти обледеніння. Не зберігайте на відкритому повітрі.

- Для транспортування, забезпечіть машину від руху або падіння, щоб запобігти травми людей або пошкодження машини.

ПЕРЕВЕЗЕННЯ ЛІТІЄВИХ БАТАРЕЙ

Здійсніть транспортування акумуляторної батареї відповідно до місцевих та загальнодержавних норм і правил.

Дотримуйтесь всі спеціальні вимоги до упаковки і маркування при транспортуванні батареї третьою стороною. Переконайтеся, що під час транспортування акумулятор не вступає в контакт з іншими акумуляторними батареями або струмопровідними матеріалами та захистіть відкриті роз'єми ізоляційними непровідними кришками або стрічкою. Чи не переносьте акумулятори, тріснуті або бігу. Зв'язатися з нами для отримання подальших рекомендацій.

ТЕХНІЧНЕ ОБСЛУГОВУВАННЯ

▲ ПОПЕРЕДЖЕННЯ

Використовуйте тільки оригінальні запасні частини, аксесуари та обладнання від виробника. Невиконання цієї вимоги може привести до можливої травми, поганої продуктивності та може призвести до втрати гарантії.

▲ ПОПЕРЕДЖЕННЯ

Обслуговування вимагає крайньої обережності і знання і повинно бути виконане тільки кваліфікованим фахівцем. Для обслуговування, доставте продукт до авторизованого сервісного центру. При технічному обслуговуванні використовуйте тільки ідентичні замінні частини.

- Не вносьте корективи і не робіть ремонт, не описані в цьому посібнику. Для інших ремонтних робіт, зверніться до авторизованого сервісного агента.



- Після кожного використання, очистіть виріб м'якою сухою тканиною.
- Перевірте всі гайки, болти і гвинти після короткого проміжка часу на правильну герметичність, щоб забезпечити продукт у безпечному робочому стані. Будь-яка пошкоджена деталь, має бути правильно відремонтована або замінена в авторизованому сервісному центрі.
- Принесіть продукт в авторизований сервісний центр для заміни пошкоджених або нечитаємих етикеток.

УСУНЕННЯ БЛОКУВАННЯ

- Щоб знизити ризик отримання травми, пов'язаної з контактом з обертовими частинами, завжди зупиніть продукт, вийміть акумулятор, переконайтеся, що всі рухомі частини зупинилися.
- Від'єднайте трубку повітродувки та перевірте її на предмет закупорки. Прочистіть трубки, якщо потрібно.
- Зніміть мішок колектора сміття. Переконайтеся, що адаптер сумки вільний від перешкод.
- Огляньте отвір в корпусі вентилятора і трубки до сміттевого мішка на привід закупорки. Пам'ятайте, що навіть якщо батарея вилучена, вентилятор і мульчувальні леза можуть рухатися, коли ви чистите будь-яке блокування. Увесь час тримайте пальці подалі від вентиляторів і мульчувального леза увесь час.
- Не намагайтеся зняти вентилятор або мульчувальні леза. Якщо необхідно зняти вентилятор і мульчувальні леза, доставте продукт до авторизованого сервісного центру.
- Переінсталюйте труби і сумку колектора сміття перед установкою акумуляторної батареї і запуском продукту.

НЕПЕРЕДБАЧЕНІ РИЗИКИ

Навіть за належного використання інструмента неможливо повністю нейтралізувати певні фактори залишкового ризику. Наступні небезпеки можуть виникати при використанні продукту та оператору слід звернути особливу увагу, щоб уникнути наступного:

- Травми спричинені вібрацією.

- Під час роботи завжди використовуйте спеціальне устаткування, користуйтеся призначеними ручками та застосовуйте найнижчу швидкість, необхідну для виконання завдання.
- Під впливом шуму може виникнути пошкодження слуху.
 - Надягайте захист для органів слуху та лімітуйте вплив.
- Якщо мішок для збору сміття не встановлений або пошкоджений, можливі травмування від летючих частинок повітряного потоку труби повітродувки
 - Носіть захист для очей у весь час.

ЗНИЖЕННЯ РИЗИКУ

Відомі випадки, коли вібрація від ручних інструментів сприяє появі так званого синдрому Рейно. Симптоми схожі на ті, що з'являються під впливом холоду, включаючи поколювання, оніміння та збліднення пальців. Вважається, що спадкові чинники, вплив холоду і сирості, харчування, куріння і деякі звички роботи сприяють розвитку цих симптомів. Можна прийняти деякі заходи, які можуть бути прийняті оператором, щоб зменшити вплив вібрації:

- Підтримувати температуру тіла в холодну погоду. При використанні інструменту надягайте рукавички, щоб тримати руки та зап'ястки у теплі.
- Вправа для активації кровообігу після кожного запуску.
- Регулярно йдуть на перерву. Лімітуйте кількість роботи на день.

Якщо ви виявили будь-який з цих симптомів, негайно припиніть використання і зверніться до вашого лікаря згідно цих симптомів.

⚠ ПОПЕРЕДЖЕННЯ

Тривале використання інструменту може призвести до травмування або загострення існуючої травми. При використанні приладу протягом тривалого періоду часу, часті перерви.

ЗНАЙ СВІЙ ПРОДУКТ

Дивіться сторінку 161.

1. Передня ручка



2. Швидкознімна ручка
3. Верхня плечова накладка
4. Ручка стабілізатора швидкості
5. Кнопка Турбо
6. Ручка
7. Клямка
8. Вазиль вибору режиму повітродувка / пилосос
9. Адаптер сумки
10. Вакуумний мішок
11. Нижня труба повітродувки
12. Направляючі колеса
13. Нижня вакуумна трубка
14. Верхня вакуумна трубка
15. Зафіксувати різьбу

СИМВОЛИ НА ПРОДУКТІ



Читайте і зрозумійте всі інструкції перед експлуатацією виробу, дотримуйтесь всіх вказівок і попереджень з техніки безпеки.



Остерігайтеся кинутих або літаючих об'єктів. Тримайте всіх перехожих, особливо дітей і домашніх тварин, принаймні 15 м від робочої зони.



Ротаційні вентилятори. Тримайте руки і ноги подалі від отворів у той час як продукт працює.



Одягайте засоби для захисту слуху.



Одягайте захисні окуляри



Не піддавайте впливу дощу або вогкому стану.



Гарантований рівень звукової потужності 99 дБ.



Сумісне приладдя: RAC364



Вийміть батарею перед початком ремонту або технічного обслуговування приладу.



Тяга: Петля швидкого випуску



Відповідає всім нормативним стандартам в країнах ЄС, де виріб було придбано.



Євразійська знак відповідності.



Український знак відповідності



Не викидати відпрацьовані електричні прилади разом із побутовими відходами. Утилізувати у спеціально призначених закладах. За консультацією по утилізації приладу зверніться до органу місцевої влади або дилера



Режим повітродувки



Режим пилососа

СИМВОЛИ В ЦЬОМУ ПОСІБНИКУ



ПРИМІТКА



ПОПЕРЕДЖЕННЯ



Запчастини та аксесуари, що продаються окремо

Наступні сигнальні слова і змісти призначені для пояснення рівнів ризику, пов'язаних з продуктом.



⚠ НЕБЕЗПЕКА

Вказує на неминуче небезпечну ситуацію, яка, якщо її не уникнути, може призвести до смерті або серйозних травм.

⚠ ПОПЕРЕДЖЕННЯ

Вказує на потенційно небезпечну ситуацію, яка, якщо її не уникнути, може призвести до смерті або серйозних травм.

⚠ УВАГА

Вказує на потенційно небезпечну ситуацію, яка, якщо її не уникнути, може призвести до легкої або середньої травми.

УВАГА

Без попереджувачих символів
Вказує на ситуацію, яка може призвести до пошкодження майна.

EN
FR
DE
ES
IT
NL
PT
DA
SV
FI
NO
RU
PL
CS
HU
RO
LV
LT
ET
HR
SL
SK
BG
UK
TR



Kablosuz yaprak toplama/üfleme makinenizin tasarımında güvenlik, performans ve güvenilirliğe en yüksek öncelik verilmiştir.

KULLANIM AMACI

Kablosuz üfleme/vakum aleti sadece açık havada, kuru ve iyi aydınlatılmış mekanlarda kullanılmak üzere geliştirilmiştir.

Bu ürün çocuklar veya fiziksel, zihinsel veya duyuusal becerileri kısıtlı kişiler tarafından kullanıma uygun değildir.

Ürün yaprak, çim ya da diğer bahçe atıkları gibi hafif döküntüleri üfleme ya da vakumlamak üzere geliştirilmiştir. Döküntüleri vakumla temizleyip malçlamak ve toplama torbasına aktarmak üzere tasarlanmıştır.

Ürün su veya diğer sıvıları emmek için geliştirilmemiştir. Başka herhangi bir amaçla kullanmayın.

GENEL GÜVENLİK UYARILARI

⚠ UYARI

Tüm güvenlik uyarılarını ve tüm talimatları okuyun. Uyarılara ve talimatlara uymamak elektrik çarpması, yangın ve/veya ciddi yaralanma ile sonuçlanabilir. İleride başvurmak üzere tüm uyarıları ve talimatları saklayın.

⚠ UYARI

Hiçbir zaman çocukların veya bu talimatları bilmeyen kişilerin ürünü kullanmasına izin vermeyin. Yerel yönetmelikler kullanıcının yaşına kısıtlama getirebilir.

EĞİTİM

- Talimatları dikkatlice okuyun. Ürünün kontrollerini ve nasıl doğru şekilde kullanılacağını öğrenin.
- Kazalardan ve diğer insanlara veya mallarına zarar verebilecek tehlikelerden kullanıcının sorumlu olduğunu unutmayın.
- Ürünü hiçbir zaman yorgunken, hastayken veya alkol, uyuşturucu veya ilaç etkisi altındayken kullanmayın.

HAZIRLIK

- Bazı bölgeler ürünün bazı çalışmalarda kullanımına kısıtlama getiren yönetmeliklere

sahiptir. Tavsiye için bölgenizdeki yetkili merciyeye başvurun.

- Ürünü kullanırken her zaman kulak tıkacı takın. Bu ürün son derece gürültülüdür ve eğer maruz kalma sürenizi sınırlandırma, gürültüyü azaltma ve kulak tıkacı takma önlemlerine sıkı bir şekilde uyulmazsa kalıcı işitme kaybına neden olabilir.
- Bu ürünü kullanırken her zaman siperli koruyucu gözlük takın. Üretici tam yüz maskesinin veya tamamen kapalı gözlüklerin kullanılmasını şiddetle önermektedir. Normal gözlükler veya güneş gözlükleri uygun koruma sağlamaz. Güçlü hava jeti nedeniyle nesnelere her zaman yüksek hızda fırlayabilir ve sert yüzeylerden kullanıcıya doğru sekebilir.
- Ürünü kullanırken her zaman dayanıklı ayakkabılar ve uzun pantolon giyin. Ürünü çıplak ayakla veya üstü açık terlik giyerken kullanmayın. Üzerinize bol olan veya iplerin veya bağcıkların sarktığı kıyafetler giymekten kaçının.
- Hava girişinin içine çekilebilecek bol kıyafetler giymeyin veya takı takmayın. Saçlarınız uzunsa hareketli parçalara dolaşmasını önlemek için omuz seviyesinin üzerinde toplayın.
- Her kullanım öncesi tüm kontrollerin ve güvenlik cihazlarının doğru şekilde çalıştığından emin olun. Eğer "kapalı" anahtarı ürünü durdurmuyorsa ürünü kullanmayın.
- Ürünü önerilen pozisyonda ve sadece sağlam, düz bir yüzey üzerinde kullanın.
- Ürünü fırlayan maddelerin yaralanmaya neden olabileceği asfalt kaplı veya çakıllı bir yüzeyde kullanmayın.
- Her kullanım öncesi gövdeyi her zaman hasara karşı inceleyin. Korumaların ve kulpların yerinde ve uygun şekilde sabitlendiğinden emin olun. Dengeyi korumak için aşınmış veya hasarlı bileşenleri takım olarak değiştirin. Hasarlı veya okunaksız etiketleri değiştirin.
- Ürünü hiçbir zaman yakın insanlar, özellikle çocuklar veya hayvanlar varken kullanmayın.
- Tüm soğuk hava girişlerini biriktiden temizleyin.
- Üflemeden önce biriktintiyi gevşetmek için tırmık ve süpürge kullanın.

- Her kullanım öncesi çalışma alanını temizleyin. Yüksek hızlı hava nedeniyle oldukça uzak mesafelere üflenebilecek taş, kırık cam, çivi, tel veya ip gibi tüm nesnelere temizleyin.

⚠ UYARI

Ürünü vakum modunda kullanmadan önce, alt ve üst vakum borularını birleştirmeniz gerekir. Bu sadece bir seferlik bir işlemdir. Toplama modunu hiçbir zaman sadece üst vakum borusu takılı hâlde kullanmayın. Bu uyarıya uymazsanız fiziksel yaralanma riski son derece yüksektir.

PİLLİ ALET KULLANIMI VE BAKIMI

- Sadece üretici tarafından belirtilen şarj cihazı ile şarj edin. Tek bir pil takımı tipine uygun bir şarj cihazı başka bir pil takımı ile birlikte kullanıldığında yangın riski oluşturabilir.
- Elektrikli aletleri sadece özel olarak belirtilmiş pil takımları ile birlikte kullanın. Başka bir pil takımı kullanmak yaralanma ve yangın riski oluşturabilir.
- Pil takımı kullanılmadığı zaman ateş, bozuk para, anahtar, çivi, vida ve diğer metal nesnelere gibi bir terminalden diğerine bağlantı oluşturabilecek diğer metal nesnelere uzak tutun. Pil terminallerinin birlikte kısa devre yapması yanığa veya yangına neden olabilir.
- Kötü koşullarda pilden sıvı boşalabilir; temas etmekten kaçınınız. Eğer kazara temas ederseniz temas eden yeri suyla yıkayın. Eğer sıvı gözlerinize temas ederse ek olarak tıbbi yardım alın. Pilden boşalan sıvı tahrişe veya yanıklara neden olabilir.
- Hasar görmüş ya da değiştirilmiş pil paketi ya da aleti kullanmayın. Hasar görmüş ya da değiştirilmiş piller yangın, patlama ya da yaralanma riskine yol açabilecek beklenmeyen davranış sergileyebilir.
- Pil paketi ya da aleti ateş ya da aşırı ısıya maruz bırakmayın. Ateş ya da 130°C üzerinde ısıya maruz bırakıldığında patlama olabilir.
- Şarj işlemine ilişkin tüm talimatlara uyun ve pil paketi ya da aleti talimatlarda belirtilen sıcaklık aralığı dışında şarj etmeyin. Belirtilen sıcaklık aralığı dışında şarj edildiğinde pil zarar görebilir ve yangın riski artar.

KULLANIM

- Ürünü çalıştırmadan önce besleme bölgesinin boş olduğundan emin olun.
- Yüzünüzü ve vücudunuzu besleme girişi ağzından uzak tutun.
- Ürünü sadece makul saatlerde kullanın – insanların rahatsız olabileceği sabah çok erken veya gece geç saatlerde kullanmayın.
- Ürünü hiçbir zaman patlayıcı atmosferde kullanmayın.
- Ürünü kötü hava koşullarında, özellikle yıldırım düşme riski varken kullanmaktan kaçınınız.
- Kötü aydınlatmalı koşullarda kullanmayın. Kullanıcının potansiyel tehlikeleri belirlemesi için çalışma alanını net olarak kullanmayınız.
- Yakında benzer aletler kullanmak hem işitme kaybı riskini hem de diğer insanların çalıştığınız alana girme riskini artırır.
- Eğimli yerlerde yere her zaman sağlam bastığınızdan emin olun. Yürüyün, hiçbir zaman koşmayın.
- Ellerinizi, herhangi bir uzvunuzu veya kıyafetlerinizi besleme bölmesine, boşaltma kanalına sokmayın veya herhangi bir hareketli parçaya yaklaştırmayın.
- Yere sağlam basın ve dengede durun. Yukarıya doğru erişmeye çalışmayın. Yukarıya erişmeye çalışmak dengeyi kaybetmenize neden olabilir.
- Ürünü hiçbir zaman kusurlu korumalar veya siperlerle birlikte veya güvenlik cihazları, örneğin artık toplayıcı, yerinde değilken kullanmayın.
- Üründe herhangi bir değişiklik yapmayın veya üretici tarafından önerilmeyen parçalar ve aksesuarlar kullanmayın.

⚠ UYARI

Eğer ürün düşerse, ağır darbe alırsa veya anormal şekilde titresemeye başlarsa ürünü derhal durdurun ve hasara karşı inceleyin veya titreşimin nedenini belirleyin. Her tür hasar yetkili servis merkezi tarafından uygun şekilde onarılmalı veya değiştirilmelidir.

- Döner parçalara temastan kaynaklanabilecek yaralanma riskini azaltmak için her zaman ürünü durdurun ve

pil paketini çıkarın. Aşağıdaki işlemlerden önce tüm hareketli parçaların tamamen durduğundan emin olun:

- ürün gözetimsiz bıraktığınızda
 - tıkanıklıkların temizlenmesi ya da kanalın açılması
 - ürünü kontrol etme, temizleme ve ürün üzerinde çalışma
 - yabancı bir cisme çarptıktan sonra ürünün denetlenmesi
- Kaza veya arıza durumunda makineyi hemen kapatın ve batarya takımını çıkartın. Yetkili servis merkezi tarafından kontrol edilene dek ürünü tekrar çalıştırmayın.

ÜFLEYİCİ GÜVENLİK UYARILARI

- Tozlu koşullarda tozun solunmasıyla ilişkili yaralanma riskini azaltmak için filtreli bir yüz maskesi takın.
- Tozlu koşullarda yüzeyleri hafifçe nemlendirin.
- Ürünü açık pencerelerin vb. yanında kullanmayın.
- Hava akışının yere yakın şekilde çalışması için üfleyici düzesini yam uzatarak kullanın.
- Üfleyici düzesini insanlara veya evcil hayvanlara doğru tutmayın.
- Üfleyici borularının içine hiçbir zaman hiçbir nesne koymayın.
- Ürünü gevşek döküntülerin tepesine ya da yakınına yerleştirmeyin. Birikinti hava girişinden emilebilir ve olası ürün hasarına neden olabilir.

VAKUM GÜVENLİK UYARILARI

⚠ UYARI

Toplama modunu hiçbir zaman sadece üst vakum borusu takılı hâlde kullanmayın. Bu uyarıya dikkat etmemek ciddi yaralanma ile sonuçlanabilir.

NOT: Alt vakum tüpü takılmadan, tüpün içinden fan kanatlarına erişmek çok daha kolaydır.

- Döküntü toplama torba takımı takılmadan ürünü vakum modunda çalıştırmayın. Fırlayan birikintiler ciddi yaralanmalara neden olabilir. Çalıştırmadan önce, döküntü toplama kutusunun iyi durumda ve

bütünüyle kapalı olduğundan emin olun.

- Vakumu birikintinin dış kenarı boyunca yandan yana doğru hareket ettirin. Tıkanmasını önlemek için vakum borusunu doğrudan birikinti yığınının içine yerleştirmeyin.
- Motoru vakum borusunun giriş ucundan daha yukarıda tutun.
- Kullanıcıda ciddi yaralanmaları veya ürün hasarını önlemek için taş, kırık cam, şişe veya diğer benzer nesnelere toplamaya çalışmayın.
- Döküntü toplama torbasında yangına neden olabilecek durumlardan kaçının. Açık alevin yakınında kullanmayın. Yanan yerdeki, mangaldaki vb. sıcak külleri toplamayın. Kül tamamen soğuyana kadar atılan sigaraları toplamayın.
- Vücudunuzun tüm uzuvlarını hareketli parçalardan uzak tutun. Dönen pervane kanatları ciddi yaralanmalara neden olabilir. Ürünü durdurun ve fan kapağını açmadan, boruları değiştirmeden veya artık torbasını açmadan veya çıkarmadan önce pervane kanatlarının dönmesinin durduğundan emin olun.
- Ürüne malzeme beslerken, metal, kaya, şişe, kutu veya diğer yabancı cisimlerin karışmamasına dikkat edin.
- İşlenmiş malzemenin boşalma bölgesinde birikmesine izin vermeyin. Bu durum uygun boşalmayı engelleyebilir ve malzemenin giriş ağzından geri tepmesine neden olabilir.
- Ürünün tıkanması halinde, döküntüleri temizlemeden önce motoru durdurun ve pilini çıkarın.

PİL İÇİN EK GÜVENLİK UYARILARI

⚠ UYARI

Bir kısa devreden kaynaklanan yangın, yaralanma veya ürün hasarları tehlikesini önlemek için aleti, güç paketini veya şarj cihazını asla sıvıların içine daldırmayınız ve cihazların ve pillerin içine sıvı girmesini önleyiniz. Tuzlu su, belirli kimyasallar, ağartıcı madde veya ağartıcı madde içeren ürünler gibi korozif veya iletken sıvılar kısa devreye neden olabilir.

TAŞIMA VE DEPOLAMA

- Depolama ya da nakliyeden önce ürünü durdurun, pilini çıkarın ve soğumasını sağlayın
- Üründeki tüm yabancı maddeleri temizleyin. Çocukların erişemeyeceği serin, kuru ve iyi havalandırılan bir yerde depolayın. Bahçe kimyasalları ve buz çözücü tuzlar gibi korozyif maddelerden uzak tutun. Açık alanda depolamayın.
- Taşınacağı zaman insanların yaralanmasını veya ürünün zarar görmesini önlemek amacıyla ürünü hareket etmemesi veya düşmemesi için sabitleyin.

LİTYUM BATARYALARIN TAŞINMASI

Bataryayı yerel ve ulusal hükümlere ve yönetmeliklere uygun şekilde taşıyın.

Bataryalar üçüncü bir şahıs tarafından taşındığında ambalaj ve etiket üzerindeki tüm özel koşullara uyun. Açıkta ki konnektörleri yalıtkan, iletken olmayan başlıklar veya bant ile koruyarak hiçbir bataryanın taşıma sırasında diğer bataryalarla veya iletken malzemelerle temas etmediğinden emin olun. Çatlak veya sızdıran bataryaları taşımayın. Ek tavsiye için nakliye şirketi ile birlikte kontrol edin.

BAKİM

⚠ UYARI

Sadece orijinal üreticinin yedek parçalarını, aksesuarlarını ve ek parçalarını kullanın. Aksi hâlde olası yaralanmalara, zayıf performansla neden olabilir ve garantinizi geçersiz kılabilir.

⚠ UYARI

Servis çalışması en yüksek düzeyde dikkat ve bilgi gerektirir ve sadece nitelikli bir servis teknisyeni tarafından yapılmalıdır. Servis için ürünü onarım amacıyla size en yakın yetkili servis merkezi'ne göndermenizi öneriyoruz. Servis yapılırken sadece aynı yedek parçaları kullanın.

- Sadece bu kılavuzda açıklandığı şekilde ayar veya onarım yapabilirsiniz. Diğer onarımlar için yetkili servis temsilcisini arayın.
- Her kullanım sonrası ürünü yumuşak ve

kuru bir bezle temizleyin.

- Ürünün güvenli çalışma durumunda olduğundan emin olmak için tüm somunların, civataların ve vidaların doğru sıklıkta sık aralıklarla takıldığını kontrol edin. Hasarlı her tür parça yetkili servis merkezi tarafından uygun şekilde onarılmalı veya değiştirilmelidir.
- Zarar görmüş veya okunmaz durumdaki etiketleri değiştirmek için yetkili bir servis merkezine gönderin.

TIKANIKLIĞIN GİDERİLMESİ

- Döner parçalara temastan kaynaklanabilecek yaralanma riskini azaltmak için her zaman ürünü durdurun, pil paketini çıkarın ve hareketli tüm parçaların tamamen durduğundan emin olun.
- Tıkanıklık olup olmadığını kontrol etmek için üfleme borularını çıkarın. Gerekliyse, boruları temizleyin.
- Döküntü toplama torbasını çıkarın. Torba adaptörünün engellenmediğinden emin olun.
- Tıkanıklık olup olmadığını görmek için fan muhafazasının ve döküntü torbası borusunun ağzını gözden geçirin. Pil paketi çıkarılmış olsa da, tıkanıklığı açmaya çalışırken fan ya da malçlama bıçaklarının hareket edebileceğini unutmayın. Parmaklarınızı asla malçlama bıçaklarına ve pervaneye yaklaştırmayın.
- Pervaneyi ya da malçlama bıçağını çıkarmaya çalışmayın. Malçlama bıçağı veya pervanenin çıkarılması gerekiyorsa, ürünü yetkili bir servis merkezine götürün.
- Ürünü çalıştırmadan önce boruları ve döküntü toplama torbasını yeniden takın.

ARTIK RİSKLER

Ürün belirtilen şekilde kullanıldığında bile belirli artık risk faktörlerini tamamen ortadan kaldırmak mümkün değildir. Kullanım sırasında aşağıdaki tehlikeler ortaya çıkabilir ve kullanıcının aşağıdaki durumları önlemek için özellikle dikkatli olması gerekir:

- Titreşim nedeniyle yaralanma.
 - İş için mutlaka doğru aleti kullanın, adanmış tutamakları tutun ve görevi gerekli olan en düşük hızda yapın.
- Gürültüye maruz kalma nedeniyle işitme kaybı meydana gelebilir.

- Kulak tıkacı takın ve maruz kalma süresini sınırlandırın.
- Döküntü toplama torbasının takılı olmaması ya da hasar görmesi halinde üfleleyici hava akımında uçan cisimlerden yaralanma ihtimali
 - Her zaman uygun kulak tıkacı takın.

RİSK AZALTMA

El aletlerinden kaynaklanan titreşimlerin belirli kişilerde Raynaud Sendromu adı verilen bir durumu etkilediği bildirilmiştir. Semptomlar içerisinde parmaklarda genellikle soğuğa maruz kaldığında açığa çıkan karıncalanma, hissizlik ve ağarma yer bulunabilir. Kalıtsal faktörler, soğuğa ve neme maruz kalma, diyet, sigara içme ve çalışma uygulamalarının hepsinin bu semptomların gelişimini etkilediği düşünülmektedir. Titreşim etkilerini azaltmak için kullanıcı tarafından alınabilecek önlemler vardır:

- Soğuk havada vücut ısınız koruyun. Ürünü kullanırken ellerinizi ve bileklerinizi sıcak tutmak için eldiven giyin.
- Her kullanım süresinden sonra kan dolaşımını artırmak için egzersiz yapın.
- Sık çalışma molası verin. Günlük maruz kalma miktarını sınırlayın.

Eğer bu durumla ilgili herhangi bir semptom görürseniz çalışmayı derhal bırakın ve doktorunuza başvurun.

⚠ UYARI

Ürünün uzun süre kullanılması nedeniyle yaralanmalar meydana gelebilir veya kötüleşebilir. Herhangi bir alet uzun süre kullanıldığında düzenli molalar verdiğinizden emin olun.

ÜRÜNÜNÜZÜ TANIYIN

Bkz. sayfa 161.

1. Ön kulp
2. Hızlı bırakma kolu
3. Omuz yastığı
4. Hız kontrolü kolu
5. Turbo düğmesi
6. Kulp
7. Tetik
8. Üfleme/toplama modu seçim kolu
9. Torba bağlantı elemanı
10. Vakum torbası

11. Alt üfleleyici borusu
12. Kılavuz tekerlekler
13. Alt vakum borusu
14. Üst vakum borusu
15. Kilitleme dişi

ÜRÜN ÜZERİNDEKİ SEMBOLLER



Ürünü kullanmadan önce tüm talimatları okuyun ve anlayın, tüm uyarılara ve güvenlik talimatlarına uyun.



Fırlayan ve sıçrayan nesnelere dikkat edin. Üçüncü şahısları, özellikle çocukları ve evcil hayvanları çalışma alanından en az 15 m uzakta tutun.



Döner fanlar. Ellerinizi ve ayaklarınızı ürün çalışırken açık kısımlardan uzak tutun.



Kulak tıkacı takın.



Koruyucu gözlük takın.



Ürünü yağmura veya nemli koşullara maruz bırakmayın.



Güvenceli ses gücü seviyesi 99 dB'dir.



Uyumlu aksesuar: RAC364



Ürün üzerinde herhangi bir çalışma yapmaya başlamadan önce batarya takımını çıkartın.



Çekin: Hızlı serbest bırakma tırnağı



Ürünün satın alındığı AB ülkesindeki tüm düzenleyici standartlara uygundur.



EurAsian Uygunluk İşareti



Ukrayna uygunluk işareti.



Atık elektrikli ürünler evsel atıklarla birlikte atılmamalıdır. Lütfen tesislerin mevcut olduğu yerlerde geri dönüştürün. Geri dönüşüm tavsiyesi için bölgenizdeki yetkili merciyeye veya satıcıya başvurun.



Üfleme modu



Toplama modu

BU KILAVUZDAKİ SEMBOLLER



Not



Uyari



Ayrı satılan parçalar veya aksesuarlar

Aşağıdaki işaret sözcükler ve anlamları bu ürünle ilişkili risk seviyelerinin açıklanmasına yöneliktir.

⚠ TEHLİKE

Önlenmemesi durumunda ölüm veya ciddi yaralanma ile sonuçlanacak ciddi tehlike içeren bir durumu gösterir.

⚠ UYARI

Önlenmemesi durumunda ölüm veya ciddi yaralanma ile sonuçlanabilecek potansiyel olarak tehlikeli bir durumu gösterir.

⚠ İKAZ

Önlenmemesi durumunda önemsiz veya orta derece yaralanma ile sonuçlanabilecek potansiyel olarak tehlikeli bir durumu gösterir.

İKAZ

Güvenlik uyarısı sembolü olmadığına Maddi hasarla sonuçlanabilecek bir durumu gösterir.

EN

FR

DE

ES

IT

NL

PT

DA

SV

FI

NO

RU

PL

CS

HU

RO

LV

LT

ET

HR

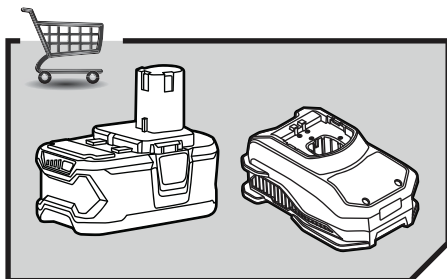
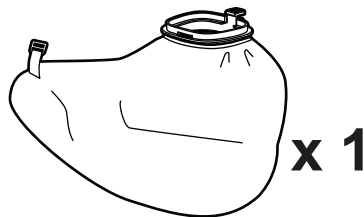
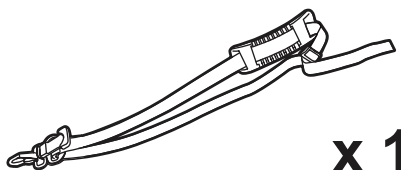
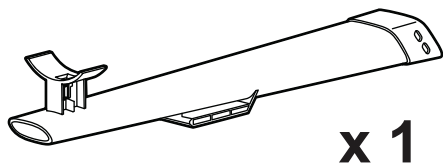
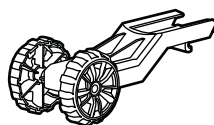
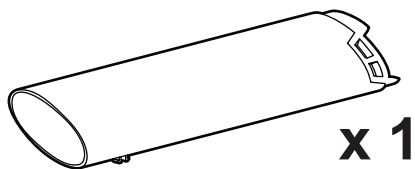
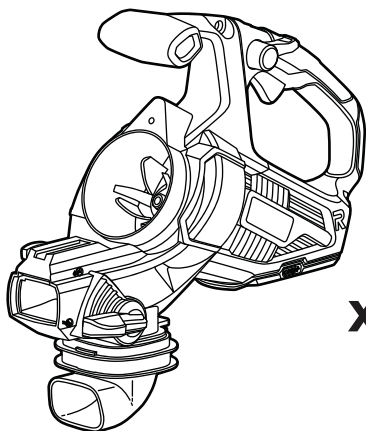
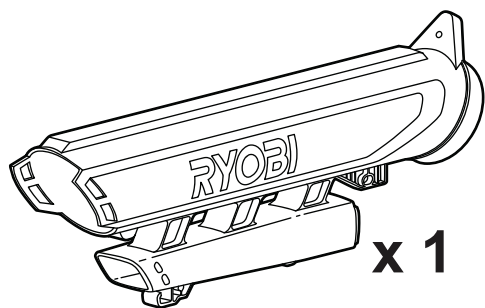
SL

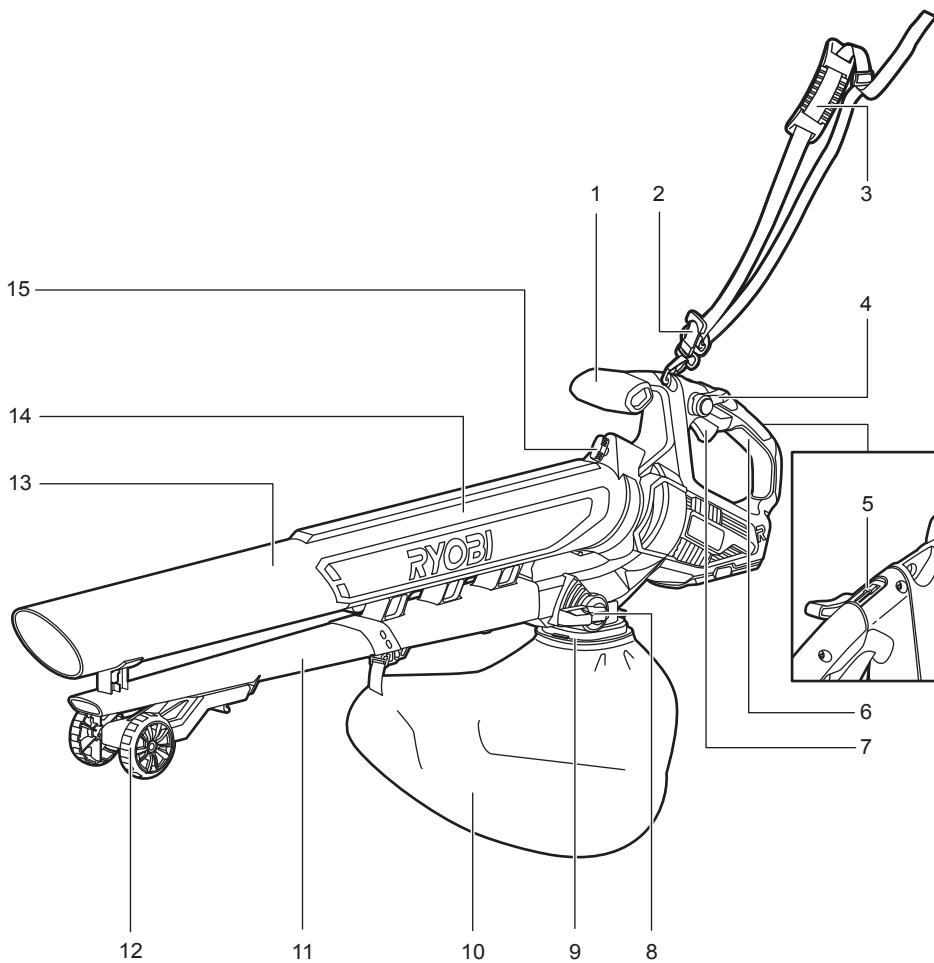
SK

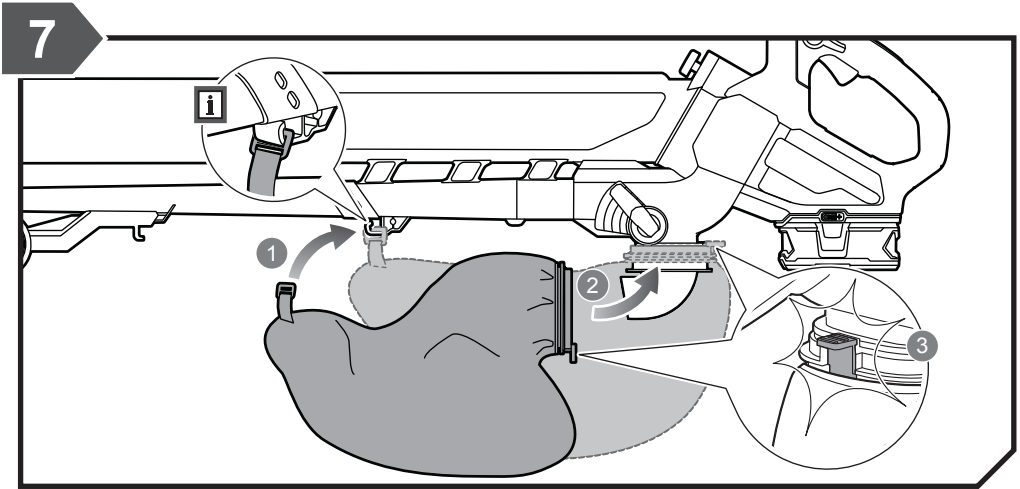
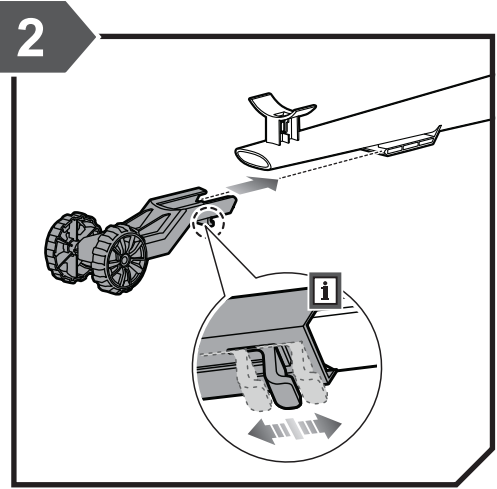
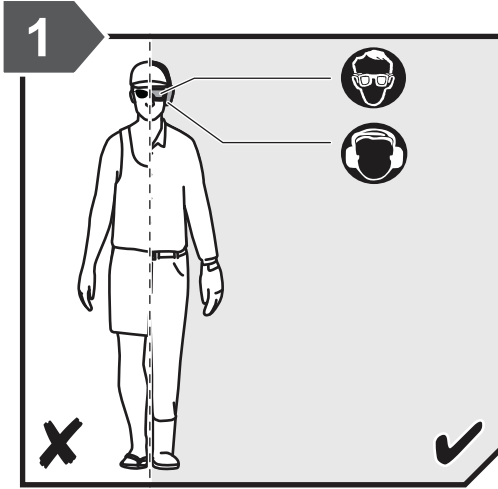
BG

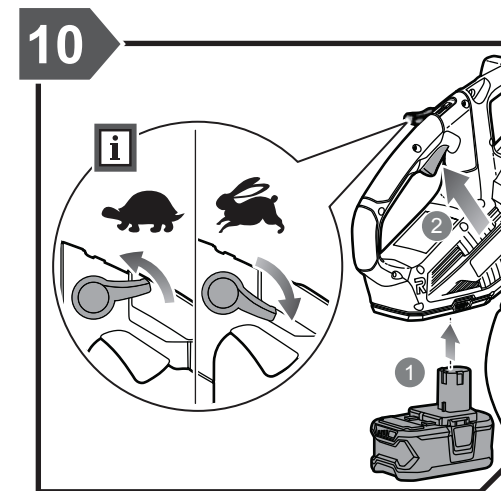
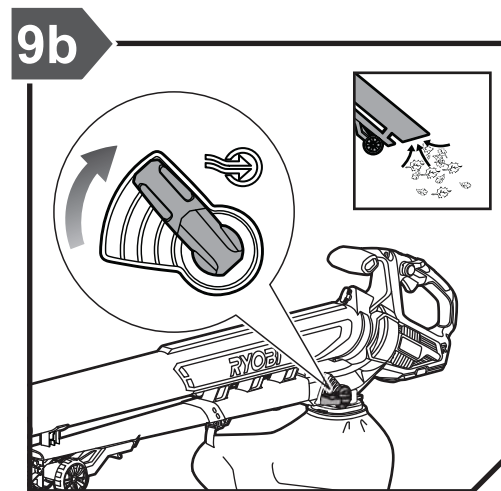
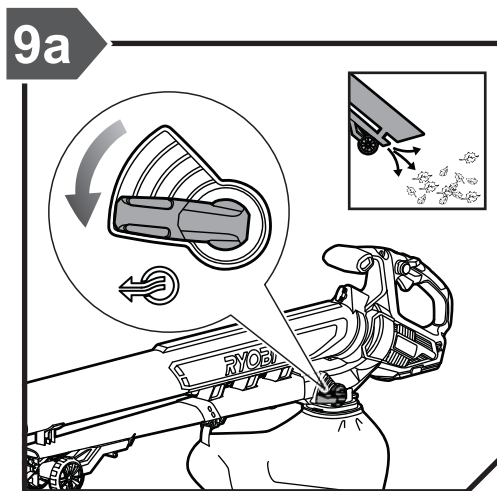
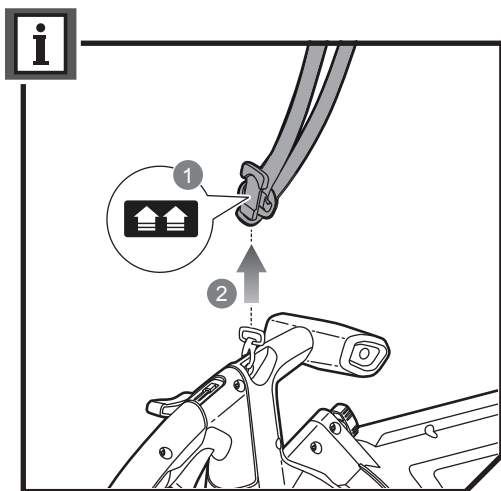
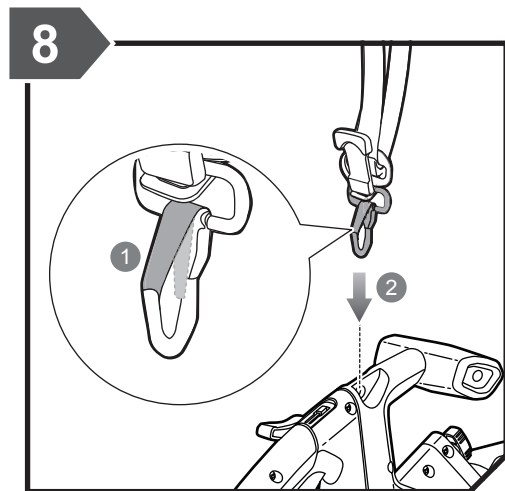
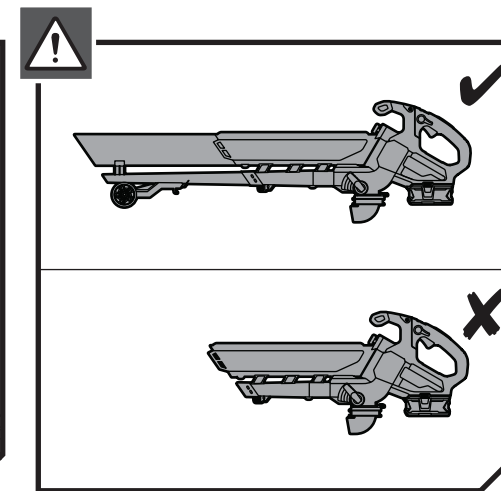
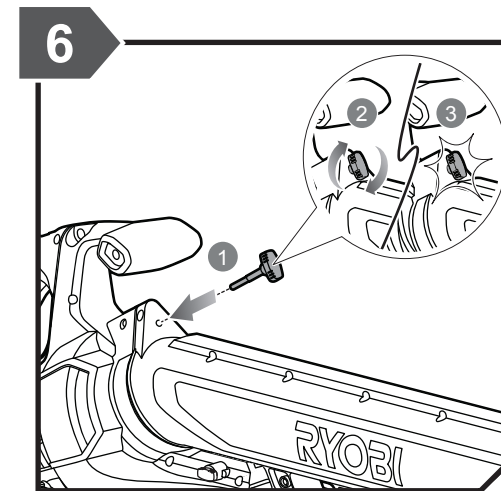
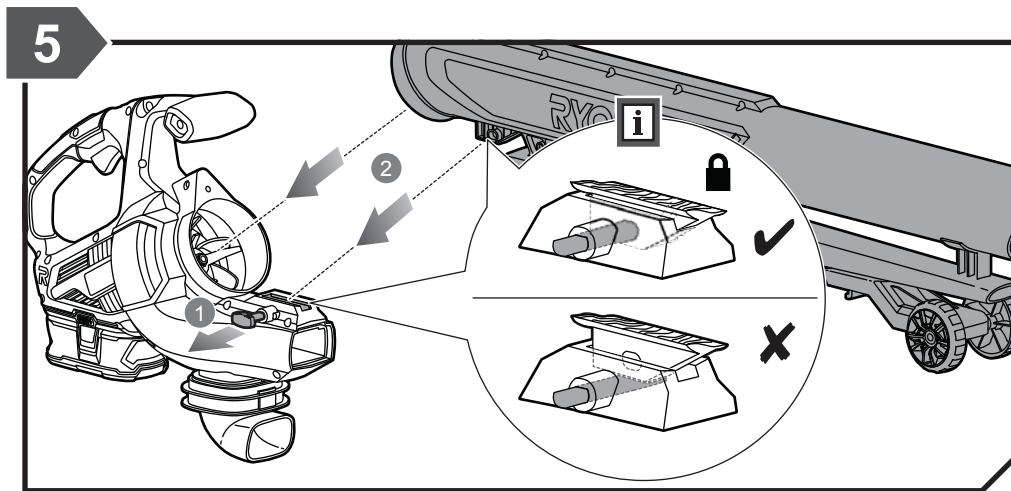
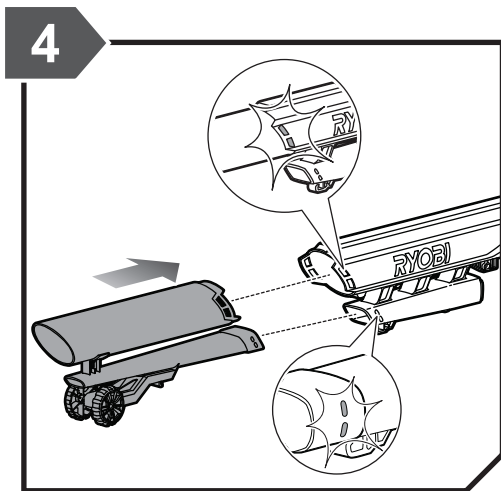
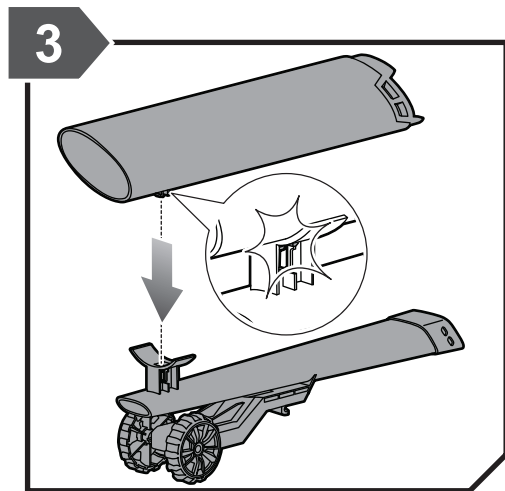
UK

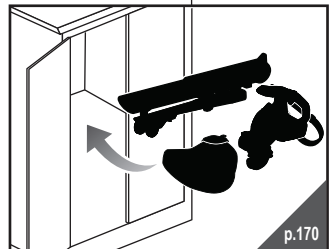
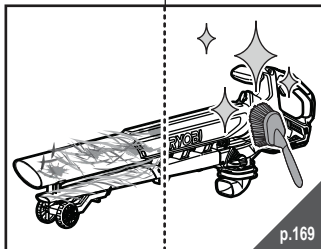
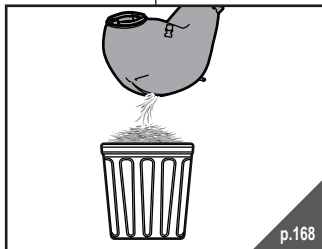
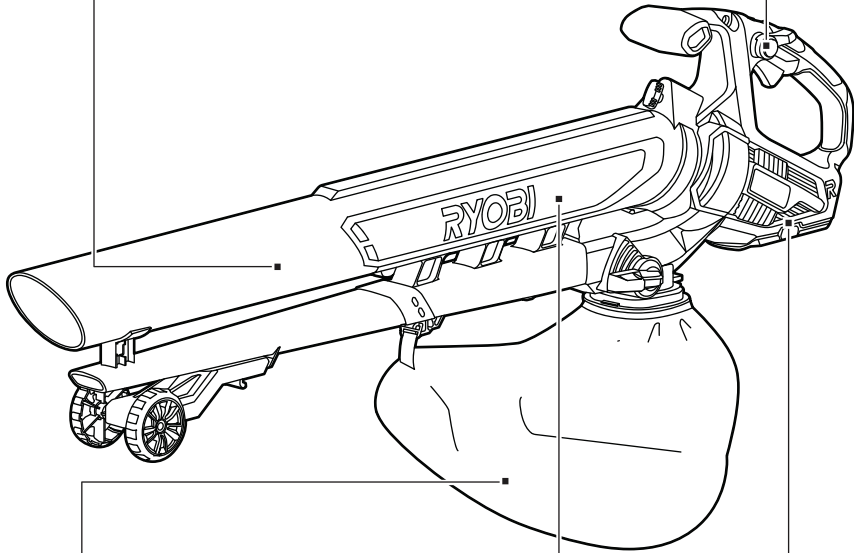
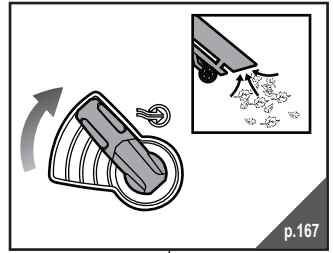
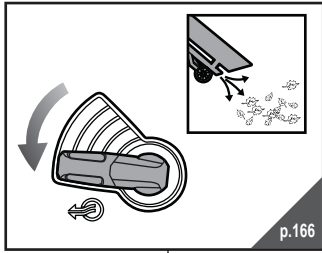
TR

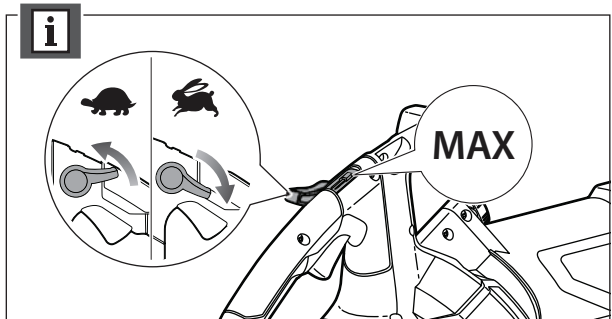
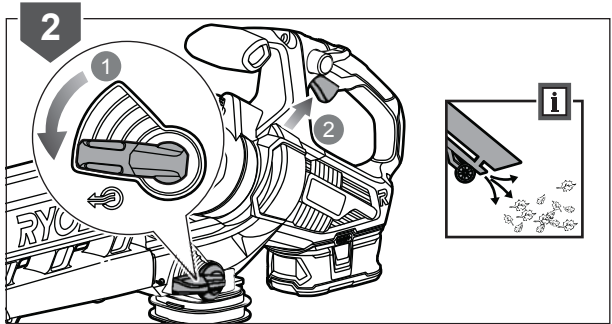
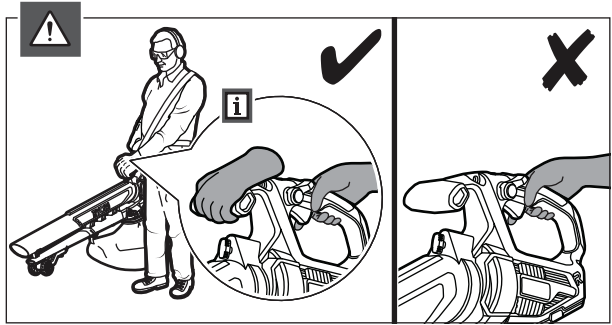
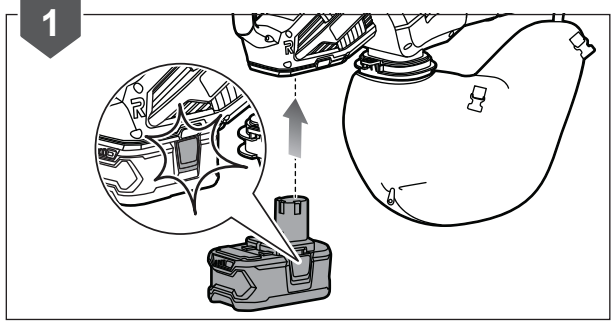
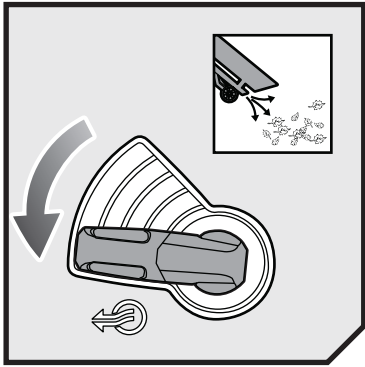


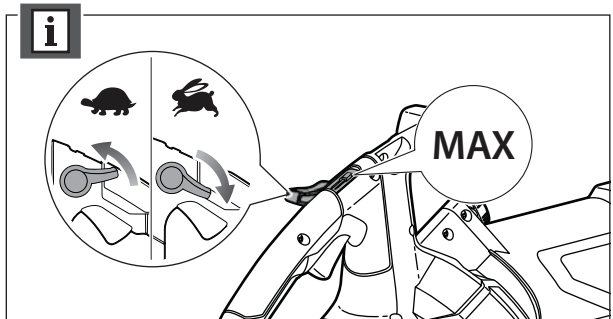
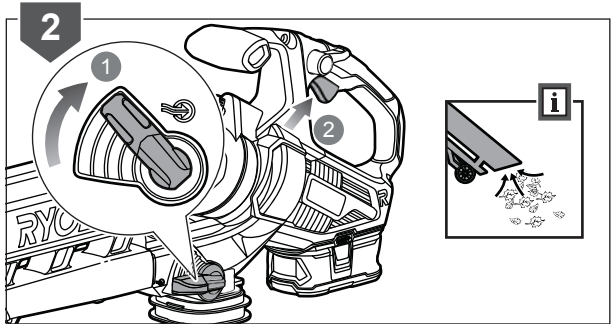
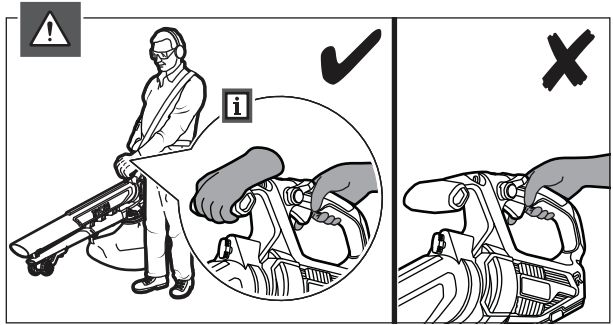
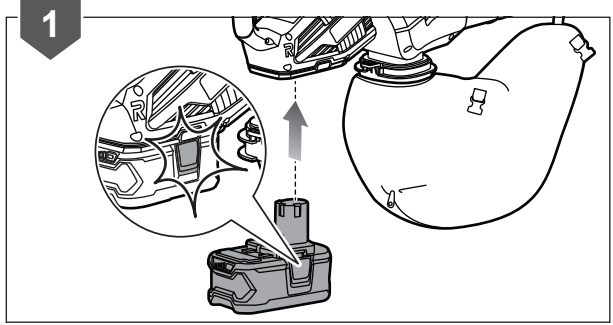
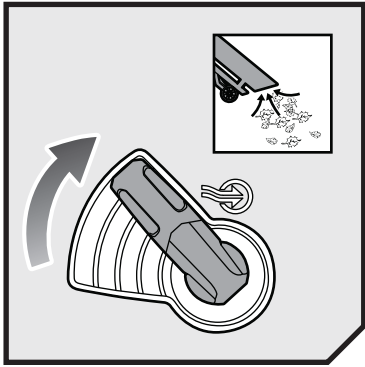


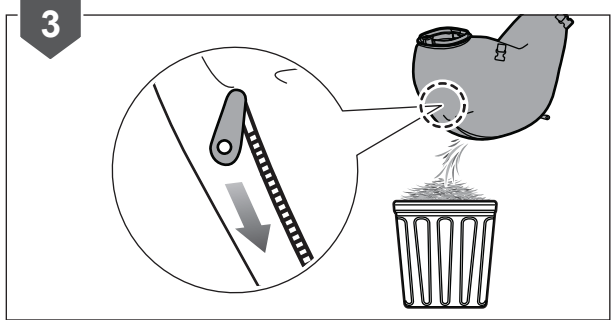
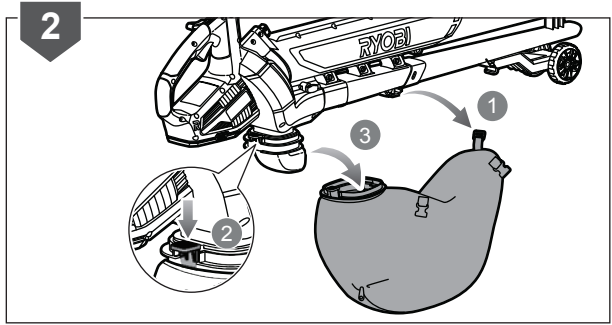
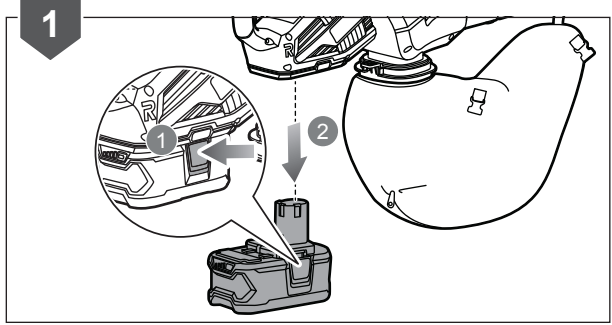
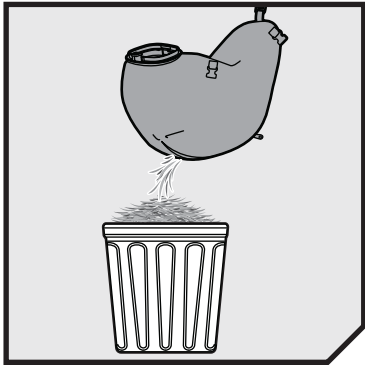


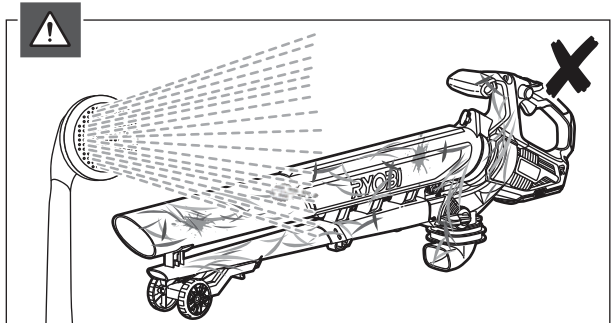
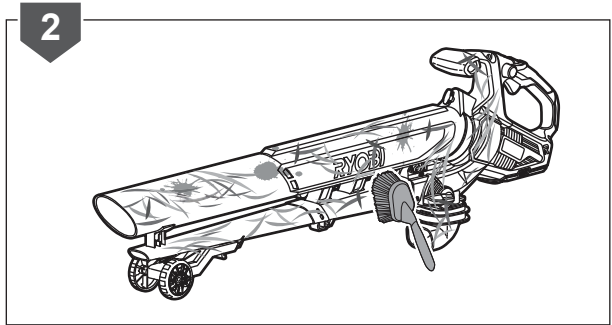
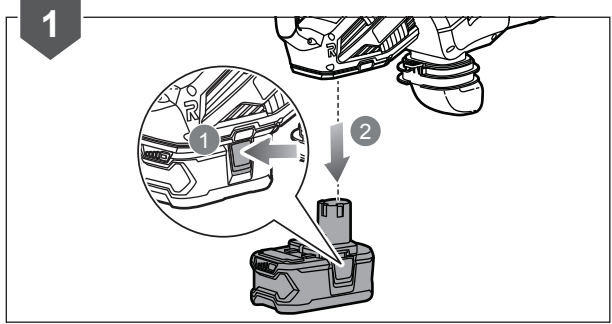
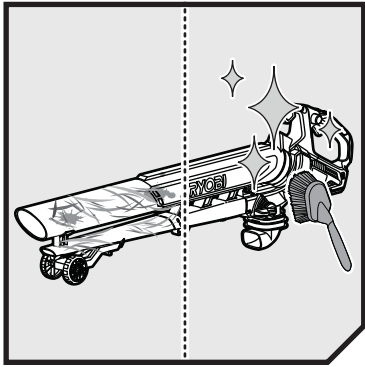


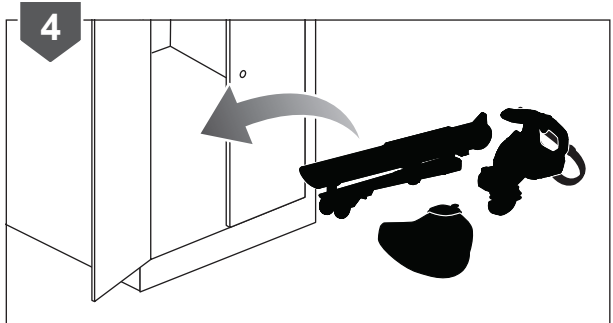
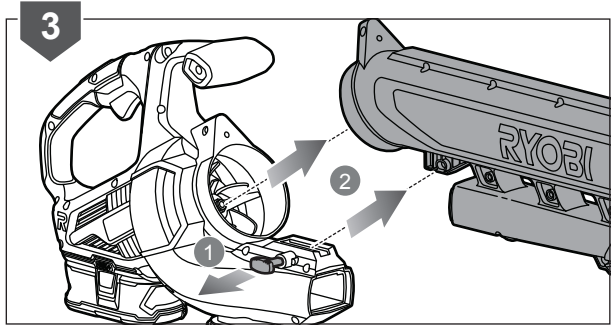
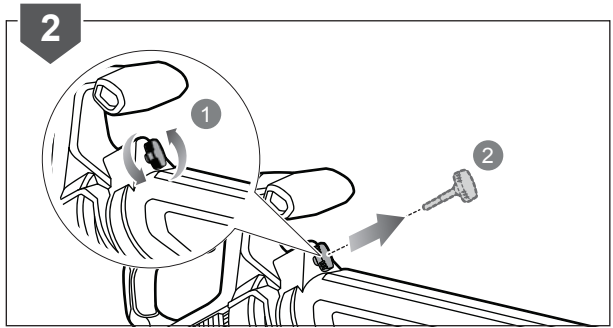
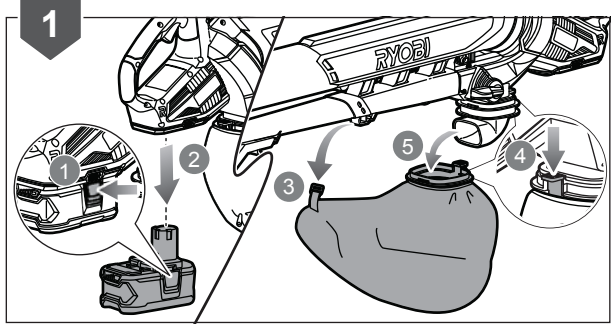
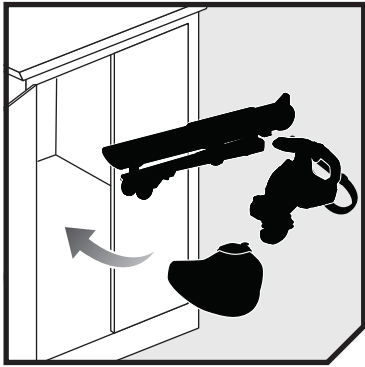














English	Français	Deutsch	Español	Italiano
Product specifications	Caractéristiques produit	Produkt-Spezifikationen	Características del producto	Caratteristiche del prodotto
Cordless Blower/Vacuum	Souffleur/Aspirateur sans fil	Akku-Blasgerät/Sauggerät	Soplador/aspirador inalámbrico	Aspiratore/soffiatore senza filo
Model	Modèle	Modell	Modelo	Modello
Rated voltage	Tension nominale	Nennspannung	Tensión nominal	Voltaggio nominale
Air velocity turbo mode	Vitesse du flux d'air, mode turbo	Luftgeschwindigkeit-Turbomodus	Velocidad de aire para modo turbo	Velocità d'aria in modalità Turbo
Blower	Souffleur	Blasgerät	Sistema de soplado	Aspiratore
Vacuum	Aspirateur	Sauger	Aspirador	Soffiatore
Air volume turbo mode	Volume d'air, mode turbo	Luftvolumen-Turbomodus	Volumen de aire para modo turbo	Volume d'aria in modalità Turbo
Blower	Souffleur	Blasgerät	Sistema de soplado	Aspiratore
Vacuum	Aspirateur	Sauger	Aspirador	Soffiatore
Mulching ratio	Taux de broyage	Mulchverhältnis	Radio de trituración	Rapporto di triturazione
A-weighted sound pressure level at the operator position (Blower/Vacuum) (according to EN 50636-2-100 Annex CC)	Niveau de pression sonore pondéré A au niveau de l'opérateur (Souffleur/Aspirateur) (selon l'Annexe CC de la norme EN 50636- 2-100)	A-bewerteter Schalldruckpegel an der Position des Anwenders (Blasgerät/Sauggerät) (gemäß Anhang CC von EN 50636-2-100)	Nivel de presión sonora ponderado A en la posición del operario (soplador/aspirador) (de acuerdo con el Anexo CC de EN 50636-2-100)	Livello di pressione sonora pesato A alla posizione dell'operatore (Aspiratore/Soffiatore) (secondo quanto disposto dall'Allegato CC della Direttiva EN 50636-2-100)
Uncertainty	Incertitude	Unsicherheit	Incertidumbre	Incertezza
A-weighted sound power level (according to EN 50636-2-100 Annex CC)	Niveau de puissance sonore pondéré A (selon l'Annexe CC de la norme EN 50636- 2-100)	A-bewerteter Schalleistungspegel (gemäß Anhang CC von EN 50636-2-100)	Nivel de potencia acústica ponderada en A (de acuerdo con el Anexo CC de EN 50636-2-100)	Livello di potenza sonora pesato A (secondo quanto disposto dall'Allegato CC della Direttiva EN 50636-2-100)
Uncertainty	Incertitude	Unsicherheit	Incertidumbre	Incertezza
Vibration level (according to EN 50636-2-100 Annex BB)	Niveau de vibration (selon l'Annexe BB de la norme EN 50636-2-100)	Vibrationsgrad (gemäß Anhang BB von EN 50636-2-100)	Nivel de vibración (de acuerdo con el Anexo BB de EN 50636-2-100)	Livello vibrazioni (secondo quanto disposto dall'Allegato BB della Direttiva EN 50636-2-100)
Uncertainty	Incertitude	Unsicherheit	Incertidumbre	Incertezza

Nederlands	Português	Dansk	Svenska	
Productgegevens	Características do aparelho	Produktspecifikationer	Produktspecifikationer	
Snoerloze blazer/zuiger	Aspirador/Ventilador sem fios	Ledningsfri blæser/suger	Sladdfri blåsare/sugare	
Model	Modelo	Model	Modell	OBV18
Toegekende spanning	Tensão nominal	Mærkespænding	Spänning	18V
Turbo-modus luchtsnelheid	Velocidade de ar no modo de turbo	Lufthastighed turbotilstand	Lufflöde turboläge	
Blazer	Soprador	Blæser	Blåsare	201 km/h
Zuiger	Aspirador	Suger	Sugare	122,5 km/h
Turbo-modus luchtvolume	Volume de ar no modo de turbo	Luftvolumen turbotilstand	Luftvolym turboläge	
Blazer	Soprador	Blæser	Blåsare	2,5 m³/min
Zuiger	Aspirador	Suger	Sugare	5,5 m³/min
Mulching verhouding	Rácio de mistura	Bioklipforhold	Mullningsgrad	10:1
A-gewogen geluidsrukniveau op de plaats van de bediener (blazer/zuiger) (in overeenstemming met bijlage CC van EN 50636-2-100)	Nível de pressão sonora ponderado A na posição do operador (Sopro/vácuo) (em conformidade com o Anexo CC de EN 50636-2-100)	A-vægtet lydtryksniveau ved operatørens position (blæser/suger) (iht. bilag CC til EN 50636-2-100)	A-viktad ljudtrycksnivå vid operatörsplats (blåsare/sugare) (enligt Annex CC i EN 50636-2-100)	$L_{pA} = 85,4 / 87,2$ dB(A)
Onzekerheid	Incerteza	Usikkerhed	Osäkerhet	$K = 2,5$ dB
A-gewogen geluidsniveau (in overeenstemming met bijlage CC van EN 50636-2-100)	Nível de potência sonora ponderada A (em conformidade com o Anexo CC de EN 50636-2-100)	A-vægtet lydeffektniveau (iht. bilag CC til EN 50636-2-100)	A-vågd ljudeffektnivå (enligt Annex CC i EN 50636-2-100)	$L_{WA} = 97,4$ dB(A)
Onzekerheid	Incerteza	Usikkerhed	Osäkerhet	$K = 1,6$ dB
Trillingsniveau (in overeenstemming met bijlage BB van EN 50636-2-100)	Nível de vibração (em conformidade com o Anexo BB de EN 50636-2-100)	Vibrationsniveau (iht. bilag BB til EN 50636-2-100)	Vibrationsnivå (enligt Annex BB i EN 50636-2-100)	$ah = 0,4$ m/s²
Onzekerheid	Incerteza	Usikkerhed	Osäkerhet	$K = 1,5$ m/s²

Suomi	Norsk	Русский	Polski
Tuotteen tekniset tiedot	Produktspesifikasjoner	Характеристики изделия	Parametry techniczne
Langaton puhallin/imuri	Batteridrevet blåser/suger	Беспроводная воздуходувка/ пылесос	Bezprzewodowa dmuchawa/ odkurzacz
Malli	Modell	Модель	Model
Nimellisjännite	Nominell spenning	Номинальное напряжение	Napięcie znamionowe
Ilman nopeus, turbotila	Lufthastighet turbomodus	Турбо-режим: Скорость воздушного потока	Prędkość powietrza: Tryb nadmuchu turbo
Puhallin	Blåser	Воздуходувка	Dmuchawa
Imuri	Suger	Пылесос	Odkurzacz
Ilmavirtauksen turbotila	Luftvolum turbomodus	Турбо-режим расхода воздуха	Objętość powietrza: Tryb nadmuchu turbo
Puhallin	Blåser	Воздуходувка	Dmuchawa
Imuri	Suger	Пылесос	Odkurzacz
Levityssuhde	Finklippingsforhold	Соотношение мульчирования	Współczynnik mulczowania
A-painotettu käyttäjään kohdistuva äänenpainetaso (puhallin/imuri) (standardin EN 50636-2-100 liitteen CC mukaisesti)	A-vektet lydtrykk ved operatørposisjon (blåser/suger) (iht. tillegg CC i EN 50636-2-100)	Амплитудно-взвешенный уровень звукового давления на рабочем месте оператора (воздуходувка/пылесос) (в соответствии с Приложением CC стандарта EN 50636-2-100)	Poziom ważonego ciśnienia akustycznego w pozycji operatora (dmuchawa/ odkurzacz) (zgodnie z aneksem CC normy EN 50636-2-100)
Epätarkkuus	Usikkerhet	Погрешность	Niepełność pomiaru
A-painotettu äänenteho (standardin EN 50636-2-100 liitteen CC mukaisesti)	A-vektet lydeffektivä (iht. tillegg CC i EN 50636-2-100)	Уровень A-взвешенной звуковой мощности (в соответствии с Приложением CC стандарта EN 50636-2-100)	A-ważony poziom natężenia hałasu (zgodnie z aneksem CC normy EN 50636-2-100)
Epätarkkuus	Usikkerhet	Погрешность	Niepełność pomiaru
Tärinätao (standardin EN 50636-2-100 liitteen BB mukaisesti)	Vibrasjonsnivå (iht. tillegg BB i EN 50636-2-100)	Уровень вибрации (в соответствии с Приложением BB стандарта EN 50636-2-100)	Poziom wibracji (zgodnie z aneksem BB normy EN 50636-2-100)
Epätarkkuus	Usikkerhet	Погрешность	Niepełność pomiaru

Čeština	Magyar	Română	Latviski	
Technické údaje produktu	Termék műszaki adatai	Specificațiile produsului	Produkta specifikācijas	
Akumulátorový foukač/ vysavač	Akkumulátoros fúvó-/ szívógép	Aparat de suflat/aspirator fără cablu	Bezvadu pūtējs/vakuuma sūcējs	
Model	Típus	Model	Modelis	OBV18
Jmenovité napětí	Névleges feszültség	Tensiunea nominală	Nominālais spriegums	18V
Turbo režim: Rychlost vzduchu	Levegő sebessége, turbó üzem módban	Mod turbo viteză de aer	Gaisa apjoms turbo režims	
Foukač	Fúvógép	Aparat de suflat	Pūtējs	201 km/h
Vysavač	Szívógép	Aspirator	Vakuuma sūcējs	122,5 km/h
Turbo režim: Objem vzduchu	Légmennyiség turbó üzem módban	Mod turbo volum de aer	Gaisa plūsmas turbo režims	
Foukač	Fúvógép	Aparat de suflat	Pūtējs	2,5 m³/min
Vysavač	Szívógép	Aspirator	Vakuuma sūcējs	5,5 m³/min
Mulčování poměr	Tömörítési arány	Rată de tocare a compostului	Mulčēšanas rādītājs	10:1
Hladina akustického tlaku vážená funkcí A v poloze obsluhy (foukač/vysavač) (v souladu s přílohou CC normy EN 50636-2-100)	A-súlyozott hangnyomásszint a kezelő helyén (fúvó-/szívógép) (az EN 50636-2-100 CC függeléke szerint)	Valoare A nivel presiune zgomot la poziția operatorului (Aparat de suflat/Aspirator) (în conformitate cu Anexa CC a EN 50636-2-100)	A–novērtējuma skaņas spiediena līmenis operatora darba vietā (pūtējs/ vakuuma sūcējs) (saskaņā ar direktīvas EN 50636-2- 100 CC pielikumu)	$L_{pA} = 85,4 / 87,2$ dB(A)
Nejistota	Bizonytalanság	Incertitudine	NeNOTEIKTĪBA	K= 2,5 dB
Hladina akustického výkonu vážená funkcí A (v souladu s přílohou CC normy EN 50636-2-100)	A-súlyozott hangteljesítményszint (az EN 50636-2-100 CC függeléke szerint)	Nivel de putere acustică ponderată A (în conformitate cu Anexa CC a EN 50636-2-100)	A-līmeņa skaņas jaudas līmenis (saskaņā ar direktīvas EN 50636-2-100 CC pielikumu)	$L_{WA} = 97,4$ dB(A)
Nejistota	Bizonytalanság	Incertitudine	NeNOTEIKTĪBA	K= 1,6 dB
Úroveň vibrací (v souladu s přílohou BB normy EN 50636-2-100)	Vibrációs szint (az EN 50636-2-100 BB függeléke szerint)	Nivel de vibrație (în conformitate cu Anexa BB a EN 50636-2-100)	Vibrācijas līmenis (saskaņā ar direktīvas EN 50636-2- 100 BB pielikumu)	$ah = 0,4$ m/s²
Nejistota	Bizonytalanság	Incertitudine	NeNOTEIKTĪBA	K = 1,5 m/s²

Lietuviškai	Eesti	Hrvatski	Slovensko
Gaminio techninės savybės	Toote tehnilised andmed	Specifikacije proizvoda	Specifikacije izdelka
Belaidis nupūtimo/siurbimo prietaisas	Akutoitega puhur-imur	Bežična puhalica/uisisavač	Brezžični puhalnik/sesalnik
Modelis	Mudel	Model	Model
Nominali įtampa	Nimipinge	Nazivni napon	Nazivna napetost
Oro kiekis turbininis režimas	Õhukiirus turborežiim	Brzina zraka pri turbo načinu rada	Turbo način za hitrost zraka
Nupūtimo prietaisas	Puhur	Puhalica	Puhalnik
Siurbimo prietaisas	Imur	Usisavač	Sesalnik
Oro srauto turbininis režimas	Õhuhulga turborežiim	Volumen zraka pri turbo načinu rada	Turbo način za količino zraka
Nupūtimo prietaisas	Puhur	Puhalica	Puhalnik
Siurbimo prietaisas	Imur	Usisavač	Sesalnik
Mulčiavimo santykis	Multšimise aste	Omjer usisa	Razmerje drobljenja
A dažninės charakteristikos garso slėgio lygis operatoriaus vietoje (nupūtimo/siurbimo prietaiso) (pagal EN 50636-2-100 standarto CC priedą)	A-kaalutud helirõhu tase operaatori töökohal (puhur-imur) (vastavalt standardi EN 50636-2-100 lisale CC)	A-ponderirana razina zvučnog tlaka u položaju operatera (puhalica/uisisavač) (u skladu s Dodatkom CC EN 50636-2-100)	A-vrednotena raven zvočnega tlaka na položaju upravljavca (puhalnik/sesalnik) (v skladu z dodatkom CC standarda EN 50636-2-100)
Nepastovumas	Määramatus	Neodređenost	Negotovost
A-svertinis akustinis lygis (pagal EN 50636-2-100 standarto CC priedą)	A-kaalutud helivõimsuse tase (vastavalt standardi EN 50636-2-100 lisale CC)	Ponderirana razina zvučne snage (u skladu s Dodatkom CC EN 50636-2-100)	A-izmerjena raven zvočne moči (v skladu z dodatkom CC standarda EN 50636-2-100)
Nepastovumas	Määramatus	Neodređenost	Negotovost
Vibracijos lygis (pagal EN 50636-2-100 standarto BB priedą)	Vibratsioonitase (vastavalt standardi EN 50636-2-100 lisale BB)	Razina vibracija (u skladu s Dodatkom BB EN 50636-2-100)	Nivo vibracij (v skladu z dodatkom BB standarda EN 50636-2-100)
Nepastovumas	Määramatus	Neodređenost	Negotovost



Slovenčina	България	Українська	Türce	
Špecifikácie produktu	Технически характеристики	Технічні характеристики пристрою	Ürün teknik özellikleri	
Akumulátorový dúchadlový vysávač	Безжична машина за обдуване/засмукване	Бездротовий воздуходувка / пилосос	Kablosuz Üfleme/Vakum Makinesi	
Modelis	Модел	Модель	Model	OBV18
Menovité napätie	Номинален волтаж	Номинальна напруга	Nominal voltaj	18V
Režim turbo pre rýchlosť vzduchu	Турборежим за скорост на въздуха	Швидкість повітря в турборежимі	Hava hizi turbo modu	
Dúchadlo	Обдуване	Воздуходувка	Üfleme	201 km/h
Vysávač	Засмукване	Пилосос	Vakum Makinesi	122,5 km/h
Režim turbo pre objem vzduchu	Турборежим за обем на въздуха	Об'єм повітря в турборежимі	Hava hacmi turbo modu	
Dúchadlo	Обдуване	Воздуходувка	Üfleme	2,5 m³/min
Vysávač	Засмукване	Пилосос	Vakum Makinesi	5,5 m³/min
Pomer mulčovania	Коефіцієнт на мулчиране	Коефіцієнт мульчування	Malçlama oranı	10:1
Vážená A hladina akustického tlaku na pozícii operátora (dúchadlo/vysávač) (v súlade s Dodatkom CC v EN 50636-2-100)	Ниво на шумово налягане с равнище А на мястото на оператора (обдуване/засмукване) (в съответствие с приложение СС на EN 50636-2-100)	Рівень звукового тиску за шкалою А для оператора пристрою (Воздуходувка / Пилосос) (відповідно до EN 50636-2-100 додаток СС)	Kullanıcı pozisyonundaki A ağırlıklı ses basıncı seviyesi (Üfleme/vakum) (EN 50636-2-100 Ek CC uyarınca)	$L_{pA} = 85,4 / 87,2$ dB(A)
Neurčitost	Променливост	Похибка	Belirsiz	$K = 2,5$ dB
Vážená A hladina akustického výkonu (v súlade s Dodatkom CC v EN 50636-2-100)	Ниво на силата на шума с равнище А (в съответствие с приложение СС на EN 50636-2-100)	А-зважений рівень звукової потужності (відповідно до EN 50636-2-100 додаток СС)	A ağırlıklı ses gücü seviyesi (EN 50636-2-100 Ek CC uyarınca)	$L_{WA} = 97,4$ dB(A)
Neurčitost	Променливост	Похибка	Belirsiz	$K = 1,6$ dB
Úroveň vibrácií (v súlade s Dodatkom BB v EN 50636-2-100)	Ниво на вибрациите (в съответствие с приложение ВВ на EN 50636-2-100)	Рівень вібрації (відповідно до EN 50636-2-100 додаток ВВ)	Titreşim seviyesi (EN 50636-2-100, Ek BB uyarınca)	$ah = 0,4$ m/s²
Neurčitost	Променливост	Похибка	Belirsiz	$K = 1,5$ m/s²



English	Français	Deutsch	Español	Italiano
Battery and charger	Batterie et chargeur	Akku und Ladegerät	Batería y cargador	Batteria e caricatore
Model	Modèle	Modell	Modelo	Modello
Battery pack Not included	Bloc de batterie Non compris	Akku Nicht im Lieferumfang enthalten	Batería No incluido	Batteria Non incluso
Weight	Poids	Gewicht	Peso	Peso
Charger Not included	Chargeur Non compris	Ladegerät Nicht im Lieferumfang enthalten	Cargador No incluido	Caricatore Non incluso
Compatible battery packs	Blocs de batterie compatibles	Kompatible Akkus	Paquetes de batería compatibles	Gruppo batterie compatibili
Compatible chargers	Chargeurs compatibles	Kompatible Ladegeräte	Cargador compatible	Caricatore compatibile
Replacement part	Pièces de Rechange	Ersatzteile	Piezas de repuesto	Parti di ricambio
Bag	Sac	Beutel	Bolsa	Sacchetto

Nederlands	Português	Dansk	Svenska	
Accu en oplader	Bateria e carregador	Batteri og oplader	Batteri och batteriladdare	
Model	Modelo	Model	Modell	OBV18
Accu Niet inbegrepen	Bateria Não incluído	Batteri Medfølger ikke	Batteri Medföljer inte	
Peso	Peso	Vikt	Vægt	-
Lader Niet inbegrepen	Carregador Não incluído	Oplader Medfølger ikke	Batteriladdare Medföljer inte	
Compatibele accupacks	Baterias compatíveis	Kompatible batterier	Kompatibla batteripaket	RB18L13, RB18L15, RB18L20, RB18L25, RB18L26, RB18L40, RB18L50
Compatibele oplader	Carregador compatível	Kompatibel oplader	Kompatibel laddare	RC18115, RC18120, BCL1418, BCL14181H, BCL14183H, BC-1800, BC-1815C, BCL-1800, BCL-1800G
Vervangonderdelen	Peças de substituição	Reserve dele	Utbytesdelar	
Zak	Bolsa/Saco	Pose	Påse	RAC364

Suomi	Norsk	Русский	Polski
Akku ja laturi	Batteri og lader	Аккумуляторная батарея и зарядное устройство	Akumulator i ładowarka
Malli	Modell	Модель	Model
Akku Ei mukana	Batteri Ikke inkludert	Аккумулятор В комплект не входит	Akumulator Brak w zestawie
Vekt	Paino	Вес	Greutate
Laturi Ei mukana	Lader Ikke inkludert	Зарядное устройство В комплект не входит	Ładowarka Brak w zestawie
Yhteensopivat akut	Kompatible batteripakker	Совместимая аккумуляторная батарея	Pasujące akumulatory
Yhteensopiva laturi	Kompatibel lader	Совместимое зарядное устройство	Zgodna ładowarka
Varaosat	Erstatningsdeler	Запасные части	Części zamienne
Pussi	Bag	Мешок	Worek

Čeština	Magyar	Română	Latviski	
Nabíječka a baterie	Akkumulátor és töltő	Bateria și încărcătorul	Akumulators un lādētājs	
Model	Típus	Model	Modelis	OBV18
Baterie Není obsaženo	Akkumulátor Nem tartozék	Acumulator Nu este inclus	Akumulators Nav iekļauts	
Waga	Bec	Tömeg	Teža	-
Nabíječka Není obsaženo	Töltő Nem tartozék	Încărcător Nu este inclus	Lādētājs Nav iekļauts	
Kompatibilní akumulátory	Kompatibilis akkumulátorok	Acumulatori compatibili	Savietojami akumulatoru komplekti	RB18L13, RB18L15, RB18L20, RB18L25, RB18L26, RB18L40, RB18L50
Kompatibilní nabíječka	Kompatibilis töltő	Încărcător compatibil	Saderīgs lādētājs	RC18115, RC18120, BCL1418, BCL14181H, BCL14183H, BC-1800, BC-1815C, BCL-1800, BCL-1800G
Náhradní díly	Cserealkatrészek	Piese de schimb	Rezerves daļas	
Vak	Táska	Sac	Maiss	RAC364

Lietuviškai	Eesti	Hrvatski	Slovensko
Akumulatorius ir įkroviklis	Aku ja laadija	Baterija i punjač	Baterija in polnilnik
Modelis	Mudel	Model	Model
Baterija Nepridedama	Aku paketiņa Ei ole komplektis	Baterija Nije uključeno	Akumulator Ni priloženo
Težina	Mass	Masé	Svars
Įkroviklis Nepridedama	Laadija Ei ole komplektis	Punjač Nije uključeno	Polnilec Ni priloženo
Suderinami baterijos paketai	Ūhilduvad akupaketid	Kompatibilna pakiranja baterija	Združljive baterije
Suderinamas įkroviklis	Ūhilduv laadija	Kompatibilni punjači	Združljiv polnilec
Atsarginės detalės	Asendusosad	Zamjena dijelova	Nadomestni deli
Maišas	Kott	Vrećica	Vreča

Slovenčina	България	Українська	Türce	
Akumulátor a nabíjačka	Батерия и зарядно устройство	Акумулятор і зарядний пристрій	Pil ve şarj cihazı	
Modelis	Модел	Модель	Model	OBV18
Batéria Nie je súčasťou balenia	Батерия Не е включено	Акумуляторна батарея Не входить	Pil Dahil değildir	
Hmotnosť	Тегло	Вага	Ağırlık	-
Nabíjačka Nie je súčasťou balenia	Зарядно устройство Не е включено	Зарядний пристрій Не входить	Şarj cihazı Dahil değildir	
Kompatibilné jednotky akumulátorov	Съвместими батерии	Сумісні акумуляторні блоки	Uyumlu pil takımları	RB18L13, RB18L15, RB18L20, RB18L25, RB18L26, RB18L40, RB18L50
Kompatibilná nabíjačka	Съвместимо зарядно устройство	Сумісний зарядний пристрій	Uyumlu şarj cihazı	RC18115, RC18120, BCL1418, BCL14181H, BCL14183H, BC-1800, BC-1815C, BCL-1800, BCL-1800G
Náhradné diely	Резервни части	Запасні частини	Yedek Parça	
Vak	Чувал	Сумка	Torba	RAC364

EN RYOBI® WARRANTY APPLICATION CONDITIONS

In addition to any statutory rights resulting from the purchase, this product is covered by a warranty as stated below.

- The warranty period is 24 months for consumers and commences on the date when the product was purchased. This date has to be documented by an invoice or other proof of purchase. The product is designed and dedicated to consumer and private use only. So there is no warranty provided in case of professional or commercial use. This warranty applies only on new products.
- There is a possibility to extend for a part of the range of power tools (AC/DC) the warranty period over the period described above using the registration on the www.ryobitools.eu website. The eligibility of products for extended warranty is clearly displayed in stores and / or on packaging and is contained within the product documentation. The end user is required to register his/her newly-acquired products online within 30 days from the date of purchase. The end user may register for the extended warranty in his/her country of residence if listed on the online registration form where this option is valid. Furthermore, end users must give their consent to the storage of their personal data that is required to be entered online. They must also accept the terms and conditions. The registration confirmation receipt, which is sent out by e-mail, and the original invoice showing the date of purchase will serve as proof of the extended warranty.
- The warranty covers all defects of the product during the warranty period due to faults in workmanship or material at the purchase date. The warranty is limited to repair and/or replacement and does not include any other obligations including but not limited to incidental or consequential damages. The warranty is not valid if the product has been misused, used contrary to the instruction manual, or has been incorrectly connected to a power supply. This warranty does not apply to:
 - any damage to the product that is the result of improper or lack of maintenance
 - any product that has been altered or modified
 - any product where original identification (trade mark, serial number) markings have been defaced, altered or removed
 - any damage caused by non-observance of the instruction manual
 - any product not displaying the CE approval mark on the rating plate
 - any product that has been attempted to be repaired by a non-authorised warranty service centre or without prior authorisation by Techtronic Industries
 - any product connected to improper power supply (amps, voltage, frequency)
 - any product used with inappropriate fuel mixture (fuel, oil, ratio of oil/ fuel mixture)
 - any damage caused by external influences (water, chemical, physical, shocks) or foreign substances
 - normal wear and tear spare parts
 - inappropriate use, overloading of the tool
 - use of non-approved accessories or parts
 - Accessories provided with the tool or purchased separately including but not limited to blades, saw chains, cutting lines, etc.
 - Any periodic adjustments to or maintenance cleaning of carburettors
 - Components (parts and accessories) subject to natural wear and tear, including but not limited to bump knobs, drive belts, clutch, blades of hedge trimmers or lawn mowers, harness, cable throttle, carbon brushes, power cord, tines, felt washers, hitch pins, blower fans, blower and vacuum tubes, vacuum bag and straps, guide bars, saw chains, hoses, connector fittings, spray nozzles, wheels, spray wands, inner reels, outer spools, cutting lines, spark plugs, air filters, gas filters, mulching blades, etc.
- For servicing, the product must be sent or presented to a RYOBI authorised service station listed for each country in the following list of service station addresses. In some countries your local RYOBI dealer undertakes to send the product to the RYOBI service organisation. When sending a product to a RYOBI service station, the product should be safely packed without any dangerous contents such as petrol, marked with sender's address and accompanied by a short description of the fault.
- A repair / replacement under this warranty is free of charge. It does not constitute an extension or a new start of the warranty period. Exchanged parts or products become our property. In some countries delivery charges or postage will have to be paid by the sender. Your statutory rights arising from the purchase of the product remain unaffected.
- This warranty is valid in the European Community, Switzerland, Iceland, Norway, Liechtenstein, Turkey and Russia. Outside these areas, please contact your authorised RYOBI dealer to determine if another warranty applies.

AUTHORISED SERVICE CENTRE

To find an authorised service centre near you, visit <http://en.ryobitools.eu/header/service-and-support/service-agents>.

FR RYOBI® CONDITIONS D'APPLICATION DE LA GARANTIE

En plus des droits statutaires liés à l'achat, ce produit est couvert par une garantie telle que décrite ci-dessous.

- La durée de la garantie accordée au consommateur est de 24 mois à partir de la date d'achat. Cette date doit être authentifiée par une facture ou tout autre preuve d'achat. Le produit a été conçu en vue d'une utilisation strictement privée. Aucune garantie ne s'applique donc en cas d'utilisation professionnelle ou commerciale.
- Il existe pour une partie de la gamme « jardin » (AC/DC), une possibilité d'étendre la période de garantie au-delà de la période précédemment décrite en utilisant le formulaire d'enregistrement présent sur le site Internet www.ryobitools.eu. L'éligibilité d'un outil est clairement affichée dans les points de vente et/ou sur l'emballage et la documentation. L'utilisateur final doit enregistrer son/ses outil(s) nouvellement acheté(s) en ligne dans les 30 jours qui suivent la date d'achat. L'utilisateur a la possibilité de s'enregistrer pour l'extension de garantie dans son pays de résidence si celui-ci est listé dans le formulaire d'enregistrement en ligne où cette option est validée. L'utilisateur final doit donner son consentement pour l'enregistrement des données requises pour accéder au site et doit accepter les termes et conditions. La confirmation d'enregistrement, envoyée par courrier électronique, ainsi que la facture originale mentionnant la date d'achat serviront de preuve de l'extension de garantie.
- La garantie couvre pendant la période de garantie les défauts des produits liés à la fabrication et aux matériaux à la date d'achat. La garantie est limitée à la réparation et/ou au remplacement et n'inclut aucune autre obligation, tel que, mais sans s'y limiter, les dommages accessoires ou indirects. La garantie est non valable en cas de mauvaise utilisation du produit, d'utilisation contraire aux instructions du mode d'emploi, ou en cas de branchement incorrect. Cette garantie ne s'applique pas pour :
 - tout dommage au produit résultant d'un mauvais entretien
 - tout produit ayant été altéré ou modifié
 - tout produit dont les marquages originaux d'identification (marque, numéro de série) ont été dégradés, altérés ou retirés
 - tout dommage causé par le non-respect des instructions du mode d'emploi
 - tout produit non CE
 - tout produit ayant subi une tentative de réparation par du personnel non qualifié ou sans autorisation préalable de Techtronic Industries
 - tout produit raccordé à une alimentation secteur non conforme (ampérage, voltage, fréquence)
 - tout produit utilisé avec un mélange inapproprié (essence, huile, pourcentage d'huile)
 - tout dommage causé par des influences extérieures (chimiques, physiques, chocs) ou par des substances étrangères
 - l'usure normale des pièces consommables
 - une utilisation inappropriée, une surcharge de l'outil
 - l'utilisation de pièces ou accessoires non agréés
 - Tout réglage périodique ou tout nettoyage de maintenance des carburateurs
 - les composants (pièces et accessoires) sujets à une usure naturelle, incluant de façon non exhaustive les têtes de fil à frapper, les courroies de transmission, les embrayages, les lames des taille-haies ou des tondeuses à gazon, les harnais, les câbles d'accélérateur, les charbons, les cordons d'alimentation, les fraises de cultivateurs, les rondelles feutre, les goupilles de fraise, les turbines et lame de broyage des souffleurs, les tubes de soufflage et d'aspiration des souffleurs, les sacs de souffleurs et leurs lanières, les guides-chaîne, les chaînes de tronçonneuses, les tuyaux et raccords, les buses et lances de nettoyeurs haute pression, les roues, les rechargeurs de fil des têtes de coupe, les têtes de coupe, le fil de coupe, les bougies d'allumage, les filtres à air, les filtres à essence, etc.
- Si le produit doit être réparé, envoyez-le à un service après-vente agréé RYOBI dont vous trouverez ci-dessous la liste pour chaque pays. Dans certains pays, votre revendeur RYOBI se chargera d'envoyer le produit à un centre de réparation RYOBI. Lorsque vous envoyez un produit à un service après-vente RYOBI, celui-ci doit être correctement emballé, sans contenir aucun produit dangereux tel que de l'essence, et vous devez indiquer votre adresse ainsi qu'une courte description du problème.
- Une réparation / un remplacement sous garantie est gratuit(e). Ceci ne constituera pas une extension de garantie ni un nouveau départ de la période de garantie. Les pièces ou les outils remplacés deviennent notre propriété. Dans certains pays, les frais de port devront être assumés par l'expéditeur. Vos droits statutaires restent inchangés.
- Cette garantie est valable au sein de l'Europe, de la Suisse, de l'Islande, de la Norvège, du Liechtenstein, de la Turquie, de la Russie. En dehors de ces zones, veuillez contacter votre distributeur agréé RYOBI pour déterminer si une autre garantie s'applique.

SERVICE APRÈS-VENTE AGRÉÉ

Pour trouver le service après-vente agréé le plus proche, rendez-vous sur <http://fr.ryobitools.eu/header/service-and-support/service-agents>

DE RYOBI® GARANTIEBEDINGUNGEN

Zusätzlich zu den gesetzlichen Rechten aus dem Kauf gilt für dieses Produkt die nachstehend aufgeführte Garantie.

- Der Garantiezeitraum beträgt für Verbraucher 24 Monate und beginnt mit dem Datum des Kaufs. Dieses Datum muss durch eine Rechnung oder einen anderen Kaufbeleg dokumentiert werden. Dieses Produkt wurde ausschließlich zur privaten Nutzung durch Verbraucher entwickelt. Für den Fall einer professionellen bzw. kommerziellen Nutzung besteht daher keine Garantie.
- Es besteht die Möglichkeit, für einen Teil des Sortiments der Gartenwerkzeuge (AC/DC) den Garantiezeitraum über den oben genannten Zeitraum hinaus zu verlängern, indem der Verbraucher die Registrierung auf der Website www.ryobitools.eu durchführt. Die Berechtigung der Werkzeuge für die Garantieverlängerung ist deutlich im Geschäft und/oder auf der Verpackung beschrieben und in der Produktdokumentation erwähnt. Der Verbraucher muss das neu erworbene Gerät online innerhalb von 30 Tagen ab dem Kaufdatum registrieren. Der Verbraucher kann das Gerät zwecks Garantieverlängerung in seinem Wohnsitzland/Heimatland registrieren, wenn dieses Land auf dem Online-Registrierungsformular aufgeführt und die Option gültig ist. Darüber hinaus muss der Verbraucher seine Zustimmung zur Speicherung der Daten geben, die online eingegeben werden müssen, und er muss die allgemeinen Geschäftsbedingungen akzeptieren. Die Bestätigung der Registrierung, die per E-Mail versandt wird, und die Originalrechnung mit dem Kaufdatum gelten als Beleg für die Garantieverlängerung.
- Die Garantie deckt alle Defekte des Geräts während des Garantiezeitraums ab, die auf zum Zeitpunkt des Kaufs bestehende Verarbeitungs- oder Materialfehler zurückzuführen sind. Die Garantie beschränkt sich auf Reparatur und/oder Ersatz und beinhaltet keine anderen Verpflichtungen, insbesondere keinen Schadenersatz für Folge- oder Nebenschäden. Die Garantie gilt nicht, wenn das Gerät fehlerhaft eingesetzt wurde, gegensätzlich zur Bedienungsanleitung eingesetzt wurde oder falsch angeschlossen wurde. Die Garantie gilt nicht für Folgendes:
 - Schäden am Gerät, die auf unkorrekte Wartung zurückzuführen sind
 - Geräte, an denen Veränderungen vorgenommen wurden
 - Produkte, bei denen die ursprüngliche Identifizierung (Handelsmarke, Seriennummer) unleserlich gemacht, verändert oder entfernt wurde
 - Schäden durch Nichtbeachtung der Bedienungsanleitung
 - nicht-CE-zertifizierte Geräte
 - Geräte, an denen durch nicht-qualifizierte Personen oder ohne vorherige Genehmigung von Techtronic Industries Reparaturversuche vorgenommen wurden
 - Geräte, die an unkorrekte Energiequellen (Ampere, Volt, Frequenz) angeschlossen wurden
 - Geräte, die mit einer fehlerhaften Treibstoffmischung (Treibstoff, Öl, Ölanteil) betrieben wurden
 - Schäden durch äußere Einflüsse (chemisch, physisch, Stöße) oder Fremdstoffe
 - normaler Verschleiß von Ersatzteilen
 - unangemessene Nutzung, Überlastung des Geräts
 - Nutzung nicht genehmigter Zubehörteile oder Ersatzteile
 - Regelmäßige Einstellung oder Wartungsreinigung des Vergasers
 - Komponenten (Ersatzteile und Zubehörteile), die natürlicher Verschleiß unterliegen, einschließlich, aber nicht begrenzt auf Service- und Wartungssets, Kohlebürsten, Lager, Spannvorrichtungen, SDS-Bohreraufnahme, Bit-Adapter, Netzkabel, Zusatzhandgriff, Transportkoffer, Schleifplatten, Staubbeutel, Staubabführungen, Filzunterlegscheiben, Bolzen und Federn von Schlagschraubern, einschließlich, aber nicht beschränkt auf Fadenköpfe, Antriebsriemen, Kupplungen, die Klängen von Heckenschere oder Rasenmähern, Kabelstränge, Gaszüge, Zinken, Steckbolzen, Lüfter, Saug- und Gebläserohre oder Düsen, Fangsäcke und Gurte, Führungsschienen, Sägeketten, Schläuche, Verbinder, Sprühdüsen, Räder, Sprühstäbe, innere Rollen, äußere Spulen, Schneidfäden, Zündkerzen, Luftfilter, Benzin-/ Ölfilter, Häcksel-Messer usw.
- Zum Service muss das Gerät zu einer von RYOBI autorisierten Servicestation gebracht oder dorthin gesendet werden. Die Servicestationen für die einzelnen Länder sind in der folgenden Liste aufgeführt. In einigen Ländern sendet Ihr RYOBI-Händler vor Ort das Gerät an das RYOBI-Serviceunternehmen. Beim Einsenden an die RYOBI-Servicestation sollte das Gerät sicher verpackt sein, ohne gefährliche Inhalte wie Benzin, und es sollte mit der Adresse des Absenders und einer kurzen Beschreibung des Fehlers versehen sein.
- Eine Reparatur bzw. ein Ersatz gemäß dieser Garantie ist kostenlos. Hieraus ergibt sich weder eine Garantieverlängerung noch der Beginn eines neuen Garantiezeitraums. Die ausgetauschten Ersatzteile oder Werkzeuge gehen in unser Eigentum über. In einigen Ländern müssen die Zustellgebühren oder die Versandkosten vom Absender gezahlt werden. Ihre gesetzlichen Rechte aus dem Kauf des Geräts bleiben hiervon unberührt.
- Diese Garantie gilt in der Europäischen Union, der Schweiz, Island, Norwegen, Liechtenstein, der Türkei und Russland. Bitte wenden Sie sich außerhalb dieser Gebiete an Ihren autorisierten RYOBI-Händler, um festzustellen, ob eine andere Garantie gilt.

AUTORISIERTER KUNDENDIENST

Besuchen Sie <http://de.ryobitools.eu/header/service-and-support/service-agents>, um einen autorisierten Kundendienst in Ihrer Nähe zu finden.

ES CONDICIONES DE APLICACIÓN DE LA GARANTÍA DE RYOBI®

Además de cualquier derecho legal derivado de la compra, este producto está cubierto por una garantía que se indica a continuación.

- El periodo de garantía es de 24 meses para consumidores y comienza en la fecha en que se comprara el producto. Dicha fecha debe documentarse con una factura u otro comprobante de compra. El producto está diseñado y concebido únicamente para el uso privado del consumidor. Por lo tanto, no se ofrece garantía en caso de uso profesional o comercial.
- Existe la posibilidad de ampliar el periodo de garantía respectivo a una parte de la gama de herramientas de jardinería (CA/CC) durante el periodo descrito más arriba y mediante el registro en el sitio web www.ryobitools.eu. La elegibilidad de las herramientas para que se amplie el periodo de garantía se muestra claramente en las tiendas o en el embalaje y está incluida en la documentación del producto. El usuario final tiene que registrar en línea sus herramientas recientemente adquiridas en un plazo de 30 días a partir de la fecha de compra. El usuario final podrá registrarse para obtener la garantía ampliada en su país de residencia si este aparece en la lista del formulario de registro en línea cuando esta opción sea válida. Además, los usuarios finales deberán dar su consentimiento al almacenamiento de los datos necesarios para el acceso en línea y tienen que aceptar los términos y condiciones. El recibo de confirmación de registro, que se envía por correo electrónico, y la factura original que muestra la fecha de compra servirán como comprobante para la garantía ampliada.
- La garantía cubre todos los defectos del producto durante el periodo de garantía debido a fallos de mano de obra o material en la fecha de compra. La garantía se limita a la reparación o sustitución y no incluye ninguna otra obligación como, por ejemplo, daños accidentales o consecuentes. La garantía no es válida si se ha usado mal el producto, se ha usado contraviniendo el manual de instrucciones o se ha conectado de forma incorrecta. Esta garantía no es aplicable a:
 - ningún daño en el producto que sea consecuencia de un mantenimiento inadecuado
 - ningún producto que haya sido alterado o modificado
 - ningún producto en el que los marcados de identificación originales (marca comercial, número de serie) se hayan borrado, modificado o eliminado
 - ningún daño provocado por no seguir el manual de instrucciones
 - ningún producto que no sea CE
 - ningún producto que haya sufrido un intento de reparación por parte de un profesional no cualificado o sin la autorización previa de Techtronic Industries.
 - ningún producto conectado a un suministro eléctrico inadecuado (amperios, voltaje, frecuencia)
 - ningún producto usado con una mezcla de combustible inadecuada (combustible, aceite, porcentaje de aceite)
 - ningún daño causado por influencias externas (químicas, físicas, impactos) o sustancias extrañas
 - desgaste normal de piezas de repuesto
 - uso inadecuado, sobrecarga de la herramienta
 - uso de accesorios o piezas no aprobados
 - Cualquier ajuste periódico o limpieza de mantenimiento de los carburadores
 - Componentes (piezas y accesorios) sujetos al desgaste natural incluyendo, entre otros, pomos de golpes, correas de transmisión, embragues, cuchillas de cortasetos o cortacésped, arneses, cable del acelerador, escobillas de carbono, cables eléctricos, discos, placas de filtro, pasadores de enganche, ventiladores de soplador, tubos de aspiración y de soplado, bolsas y correas de aspiración, barras guías, cadenas de sierra, mangueras, herrajes de conectores, boquillas pulverizadoras, ruedas, lanzas pulverizadoras, bobinas interiores, carretes exteriores, líneas de corte, bujías, filtros de aire, filtros de gas, cuchillas de compostaje, etc.
- Para su mantenimiento, el producto debe enviarse o presentarse a una estación de servicio de RYOBI autorizada que figure en la siguiente lista de direcciones de estaciones de servicio por países. En algunos países, su distribuidor RYOBI local se responsabiliza de enviar el producto a la compañía de servicio de RYOBI. Cuando se envíe un producto a una estación de servicio de RYOBI, este debe estar empaquetado de forma segura sin contenidos peligrosos como gasolina, marcado con la dirección del remitente y acompañado de una breve descripción del fallo.
- Una reparación / sustitución con esta garantía es gratuita. No constituye una ampliación ni un nuevo comienzo del periodo de garantía. Las piezas o herramientas intercambiadas pasan a ser de nuestra propiedad. En algunos países, los gastos de envío o correo tendrá que pagarlos el remitente. Sus derechos legales derivados de esta compra de la herramienta no se verán afectados.
- Esta garantía es válida en la Unión Europea, Suiza, Islandia, Noruega, Liechtenstein, Turquía y Rusia. Fuera de estas zonas, póngase en contacto con su distribuidor de RYOBI autorizado para determinar si es aplicable otra garantía.

SERVICIO TÉCNICO AUTORIZADO

Para encontrar el servicio técnico autorizado más cercano, visite <http://es.ryobitools.eu/header/service-and-support/service-agents>.

IT

CONDIZIONI DI VALIDITÀ DELLA GARANZIA RYOBI®

In aggiunta ai diritti di legge risultanti dall'acquisto, il prodotto è coperto dalla garanzia sotto descritta.

- Il periodo di garanzia è di 24 mesi per i consumatori, a decorrere dalla data di acquisto del prodotto. La data deve essere documentata da una fattura o altra prova d'acquisto. Il prodotto è progettato e destinato solo all'utilizzo privato dei consumatori. Pertanto non viene fornita alcuna garanzia in caso di uso professionale o commerciale.
- Per una serie di utensili da giardino (CA/CC) è possibile prolungare il periodo di garanzia oltre quello descritto, registrandosi sul sito web www.ryobitools.eu. Gli utensili per i quali è possibile prolungare il periodo di garanzia sono chiaramente indicati nei negozi e/o sulle confezioni e nella documentazione dei prodotti. L'utente deve registrare online l'utensile acquistato entro 30 giorni dalla data di acquisto. L'utente può registrarsi per la garanzia prolungata nel proprio paese di residenza, se questo è elencato nel modulo di registrazione online dove questa opzione sia valida. Inoltre gli utenti devono fornire il proprio consenso alla conservazione dei dati da immettere online e devono accettare le condizioni generali. La conferma di registrazione, inviata tramite e-mail, e la fattura originale indicante la data di acquisto, costituiranno la prova della garanzia prolungata.
- La garanzia copre tutti i difetti del prodotto durante il periodo di garanzia, risultanti da manodopera o materiali alla data di acquisto. La garanzia è limitata alla riparazione e/o sostituzione e non include alcun altro obbligo quali, a mero titolo esemplificativo, i danni incidentali o consequenziali. La garanzia non è valida se il prodotto è stato usato scorrettamente, in modo contrario al manuale di istruzioni o se è stato collegato in modo errato. La garanzia non è valida per:
 - qualsiasi danno al prodotto dovuto a manutenzione errata;
 - qualsiasi prodotto che sia stato alterato o modificato;
 - qualsiasi prodotto le cui marcature di identificazione originali (marchi di fabbrica, numero di serie) siano state cancellate, alterate o rimosse;
 - qualsiasi danno causato dalla non osservanza delle istruzioni del manuale;
 - qualsiasi prodotto privo di omologazione CE;
 - qualsiasi prodotto che sia stato sottoposto a un tentativo di riparazione da parte di un professionista non qualificato oppure senza la previa autorizzazione di Technonic Industries;
 - qualsiasi prodotto collegato a un'alimentazione errata (per ampere, tensione, frequenza);
 - qualsiasi prodotto usato con una miscela di carburante errata (carburante, olio, percentuale di olio);
 - qualsiasi danno causato da influenze esterne (chimiche, fisiche, urti) o sostanze estranee;
 - la normale usura delle parti di ricambio;
 - uso inappropriato, sovraccarico dell'utensile;
 - uso di accessori o parti non omologate;
 - qualsiasi regolazione periodica o pulizia di manutenzione dei carburatori;
 - componenti (parti e accessori) soggetti alla normale usura compresi, a mero titolo esemplificativo, testine a filo, cinghie di trasmissione, frizioni, lame di tagliasiepi o tagliaerba, imbragature, cavi di accelerazione, spazzole al carbonio, cavi di alimentazione, denti, rondelle di feltro, perni di aggancio, ventole dei soffiatori, tubi di soffiatori e aspiratori, sacchetti e cinghie per aspirapolvere, barre guida, catene per seghe, tubi, raccordi di connessione, ugelli di spruzzo, ruote, erogatori, bobine interne ed esterne, linee di taglio, candele, filtri dell'aria, filtri del gas, lame per mulching ecc.
- Per la manutenzione il prodotto dev'essere spedito o portato presso uno dei centri assistenza autorizzati RYOBI elencati per ogni paese nel seguente elenco di indirizzi dei centri. In alcuni paesi il rivenditore locale RYOBI si incarica di inviare il prodotto all'organizzazione di assistenza RYOBI. Quando si invia un prodotto a un centro assistenza RYOBI, imballarlo in modo sicuro senza contenuti pericolosi come la benzina, apporre l'indirizzo del mittente e accompagnarlo da una breve descrizione del guasto.
- La riparazione/sostituzione ai sensi della presente garanzia è gratuita. Non costituisce un prolungamento o un nuovo inizio del periodo di garanzia. Le parti o gli utensili scambiati diventano di nostra proprietà. In alcuni paesi i costi di consegna o di spedizione postale devono essere pagati dal mittente. I diritti di legge derivanti dall'acquisto dell'utensile rimangono inalterati.
- La presente garanzia è valida in Unione Europea, Svizzera, Islanda, Norvegia, Liechtenstein, Turchia e Russia. Al di fuori di tali aree contattare il rivenditore autorizzato RYOBI per sapere se è valida un'altra garanzia.

CENTRO SERVIZI AUTORIZZATO

Per individuare il più vicino centro servizi autorizzato, visitare il sito <http://it.ryobitools.eu/header/service-and-support/service-agents>.

NL

RYOBI® GARANTIEVOORWAARDEN

Naast de wettelijke rechten die voortvloeien uit de aankoop, wordt dit product gedekt door een garantie, zoals hieronder staat vermeld.

- De garantietermijn voor consumenten bedraagt 24 maanden en gaat in op de datum waarop het product is gekocht. Deze datum moet worden gedocumenteerd met een factuur of een ander aankoopbewijs. Het product is uitsluitend ontworpen en bedoeld voor persoonlijk gebruik door consumenten. Er wordt dus geen garantie gegeven voor professioneel of commercieel gebruik.
- Voor een deel van ons aanbod van tuingeredschappen (AC/DC) is het mogelijk om de garantietermijn te verlengen over de boven beschreven termijn, met behulp van de website www.ryobitools.eu. De gereedschappen die in aanmerking komen voor de verlenging van de garantietermijn wordt duidelijk weergegeven in winkels en/of verpakkingen en staat beschreven in de productdocumentatie. De eindgebruiker moet zijn/haar nieuw gekochte gereedschappen binnen 30 dagen na aankoop online registreren. De eindgebruiker kan zich registreren voor de verlengde garantietermijn als zijn woonland staat vermeld op het online registratieformulier waar deze optie geldig is. Bovendien moeten eindgebruikers toestemming geven voor de opslag van de gegevens die online ingevuld moeten worden en moeten ze de algemene voorwaarden accepteren. Het ontvangstbewijs van de registratie, dat per e-mail wordt verzonden en de oorspronkelijke factuur met de aankoopdatum vormt het bewijs van de verlengde garantietermijn.
- De garantie dekt tijdens de garantietermijn alle gebreken van het product vanwege defecten in vakmanschap of materiaal op de aankoopdatum. De garantie is beperkt tot reparatie en/of vervanging en bevat geen andere verplichtingen, waaronder maar niet beperkt tot incidentele of gevolgschade. De garantie is niet geldig als het product is misbruikt, in strijd met de gebruiksaanwijzing wordt gebruikt of onjuist is aangesloten. Deze garantie geldt niet voor:
 - alle schade aan het product die het gevolg is van onjuist onderhoud
 - elk product dat is veranderd of aangepast
 - elk product waar de oorspronkelijke identificatie (handelsmerk, serienummer) is beschadigd, gewijzigd of verwijderd
 - alle schade die is veroorzaakt door het niet opvolgen van de gebruiksaanwijzing
 - elk niet-CE-product
 - elk product waar een poging tot reparatie is gedaan door een niet-erkende professional of zonder voorafgaande toestemming door Technonic Industries.
 - elk product dat is verbonden met een verkeerde voeding (amperage, spanning, frequentie)
 - elk product dat wordt gebruikt met een verkeerd brandstofmengsel (brandstof, olie, oliegehalte)
 - alle schade die is veroorzaakt door externe invloeden (chemisch, fysisch, schokken) of vreemde stoffen
 - normale slijtage van reserveonderdelen
 - ongepast gebruik, overbelasting van het gereedschap
 - gebruik van niet-goedgekeurde accessoires of onderdelen
 - Alle periodieke aanpassingen aan of het onderhoud en reiniging van carburateurs
 - Componenten (onderdelen en accessoires) die onderhevig zijn aan natuurlijke slijtage, waaronder maar niet beperkt tot stookknoppen, aandrijfmotoren, koppelingen, messen van hegtrimmers of grasmaaiers, harnas, gaskabel, koolstofborstels, stroomsoenen, tanden, viltringen, koppelingsspannen, blazers, blaas- en zuigbuizen, zuigzakken en-riemen, geleidingsstaven, zaagkettingen, slangen, koppelingen, mondstukken, wielen, spuitsokken, binnenhaspels, buitenhaspels, snijdraden, bougies, luchtfilters, gasfilters, maaimessen, etc.
- Voor onderhoud moet het product worden verzonden of gebracht naar een erkend servicestation van RYOBI die voor elk land staan vermeld in de volgende lijst met adressen voor servicestations. In sommige landen zal uw lokale RYOBI-dealer het product verzenden naar de RYOBI-serviceorganisatie. Wanneer u het product naar een servicestation van RYOBI verzendt, moet het product veilig worden verpakt zonder enige gevaarlijke inhoud, zoals benzine, met het adres van de afzender en vergezeld van een korte beschrijving van het defect.
- Een reparatie/vervangende die onder deze garantie valt is gratis. Het vormt geen verlenging of een nieuwe start van de garantietermijn. Verwisselde onderdelen of gereedschappen worden ons eigendom. In sommige landen moeten de verzendkosten door de afzender worden betaald. Uw wettelijke rechten die voortvloeien uit de aankoop van het gereedschap blijven onaangetast.
- Deze garantie is geldig in de Europese Gemeenschap, Zwitserland, IJsland, Noorwegen, Liechtenstein, Turkije en Rusland. Buiten deze gebieden moet u contact opnemen met uw erkende RYOBI-dealer om vast te stellen of er een andere garantie van toepassing is.

GEAUTORISEERD ONDERHOUDSCENTRUM

Om een geautoriseerd onderhoudscentrum in uw buurt te vinden, surf u naar <http://nl.ryobitools.eu/header/service-and-support/service-agents>.

PT CONDIÇÕES DE APLICAÇÃO DA GARANTIA RYOBI®

Para além de quaisquer direitos previstos por lei resultantes da compra, este produto está coberto por uma garantia conforme descrição abaixo.

1. O período da garantia é de 24 meses para consumidores particulares e inicia-se na data de compra do produto. Esta data tem de ser documentada por uma factura ou por outra prova de compra. O produto foi concebido para e destina-se apenas a consumidores particulares e uso privado. Assim, não é dada garantia em caso de utilização por profissionais ou uso comercial.
2. Para uma parte da gama de ferramentas de jardim (AC/DC) existe a possibilidade de prolongamento do período da garantia para além do período descrito acima, mediante registo no Web site www.ryobitools.eu. A elegibilidade das ferramentas para prolongamento do período da garantia é claramente visível nas lojas e/ou nas embalagens e está contida na documentação do produto. O utilizador final tem de fazer o registo online das suas ferramentas recém-adquiridas no prazo de 30 dias após a data de compra. O utilizador final pode fazer o registo para prolongamento da garantia no seu país de residência, desde que esteja listado no formulário de registo online e para os casos em que esta opção seja válida. Para além disso, os utilizadores finais têm de autorizar o armazenamento dos dados cujo preenchimento lhes for solicitado online e têm de aceitar os termos e as condições. O recibo de confirmação do registo é enviado por e-mail e, em conjunto com a factura original ostentando a data de compra, servirá de prova do prolongamento da garantia.
3. A garantia cobre todos os defeitos do produto durante o período da garantia devidos a defeitos de fabrico ou de material à data da compra. A garantia está limitada à reparação e/ou substituição e não inclui quaisquer outras obrigações, incluindo mas não se limitando a, perdas complementares ou indirectas. A garantia não é válida se o produto tiver sido utilizado incorrectamente, utilizado de forma contrária ao Manual de Instruções ou se as respectivas ligações tiverem sido feitas incorrectamente. Esta garantia não se aplica ao seguinte:
 - quaisquer danos ao produto que sejam resultado de manutenção incorrecta
 - qualquer produto que tenha sido alterado ou modificado
 - qualquer produto cujas marcações de identificação de origem (marca comercial, número de série) tiverem sido apagadas, alteradas ou retiradas
 - quaisquer danos causados pelo incumprimento do Manual de Instruções
 - qualquer produto que não seja da Comunidade Europeia
 - qualquer produto ao qual tenha sido feita, ou tentada fazer, uma reparação por outra pessoa que não um profissional habilitado ou sem autorização prévia da Technonic Industries.
 - qualquer produto ligado a uma fonte de alimentação eléctrica incorrecta (Amperes, Voltagem e Frequência)
 - qualquer produto utilizado com uma mistura de combustível incorrecta (combustível, óleo, percentagem de óleo)
 - qualquer dano causado por influências externas (químicas, físicas, impactos) ou substâncias estranhas
 - desgaste e degradação normal de sobresselentes
 - utilização incorrecta, sobrecarga da ferramenta
 - utilização de acessórios ou peças não aprovados
 - quaisquer ajustes periódicos a, ou limpeza de manutenção de, carburadores
 - Componentes (peças e acessórios) sujeitos a desgaste e degradação natural, incluindo mas não se limitando a, maçanetas anti-choque, correias de transmissão, embraiagens, lâminas de recortadores de sebes ou corta-relvas, arneses, cabos de acelerador, escovas de carvão, cabos eléctricos, dentes, anilhas de feltro, pinos de engate, ventoinhas do soprador, tubos do soprador e do aspirador, cintas e sacos do aspirador, barras de guia, correntes de serra, mangueiras, peças de ligação, bocais de pulverização, rodas, varinhas de pulverização, bobinas interiores, bobinas exteriores, linhas de corte, velas de ignição, filtros do ar, filtros de gasolina, lâminas trituradoras, etc.
4. Para assistência, o produto tem de ser enviado para, ou apresentado em, um posto de assistência autorizado RYOBI, conforme listado para cada país na lista de moradas de postos de assistência seguinte. Nalguns países, o seu concessionário RYOBI local encarrega-se de enviar o produto para a organização de assistência RYOBI. Quando enviar um produto para um posto de assistência RYOBI, o produto deve ser embalado de forma segura, sem conter nenhuns conteúdos perigosos (por exemplo, gasolina), marcado com o endereço do remetente e acompanhado por uma breve descrição da avaria.
5. Uma reparação/substituição ao abrigo desta garantia é gratuita. Não constitui um prolongamento a, nem um novo início de, o período da garantia. As peças ou ferramentas substituídas tornam-se propriedade nossa. Nalguns países, o remetente terá de pagar os custos de entrega ou a remessa postal. Os seus direitos previstos por lei resultantes da compra da ferramenta mantêm-se inalterados
6. Esta garantia é válida na Comunidade Europeia, Suíça, Islândia, Noruega, Liechtenstein, Turquia e Rússia. Fora destas áreas, entre em contacto com o seu concessionário autorizado RYOBI para determinar se existe outra garantia aplicável.

CENTRO DE ASSISTÊNCIA AUTORIZADO

Para encontrar um centro de assistência autorizado próximo de si, visite <http://pt.ryobitools.eu/header/service-and-support/service-agents>.

DA RYOBI® BETINGELSER FOR GARANTI

Udover lovbestemte rettigheder, som resulterer af købet, er dette produkt dækket af en garanti, som anført herunder.

1. Garantiperioden er 24 måneder for forbrugere og begynder på den dato, som produktet blev købt. Denne dato skal dokumenteres af en faktura eller andet bevis for købt. Produktet er udelukkende designet og dedikeret til forbrugere og privat brug. Så der ydes ingen garanti i tilfælde af professionel eller kommerciel brug.
2. Der er en mulighed for at forlænge garantiperioden for en del af udvalget af haveværktøj (AC/DC), hen over den ovenfor beskrevne periode vha. registrering på hjemmesiden www.ryobitools.eu. Berettigelsen af værktøjet til forlængelse af garantiperioden er tydeligt vist i butikker og/eller på emballage/og indeholdt i produktokumentationen. Slutbruger skal registrere hans/hendes nyligt indkøbte værktøj online indenfor 30 dage efter købsdatoen. Slutbruger kan registrere sig for den forlængede garanti i sit land, hvis han/hun er opført på den online registreringsformular, hvor denne mulighed er gyldig. Derudover skal slutbrugere give deres samtykke til at opbevare data, som er påkrævet til indtaste online, og de er nødt til at acceptere vilkår og betingelser. Registreringsbekræftelseskvitteringen, som sendes ud på e-mail, og den originale faktura, som viser købsdatoen, vil fungere som bevis for den forlængede garanti.
3. Garantien dækker alle defekter, som et produkt måtte have i løbet af garantiperioden, og som skyldes produktionsfejl eller materialefejl på købsdatoen. Garantien er begrænset til reparation og/eller udskiftning og inkluderer ikke andre forpligtelser, inklusiv men ikke begrænset til tilfældige skader eller følgeskader. Garantien er ugyldig, hvis produktet er blevet misbrugt, brugt uden at overholde vejledningen, eller det er blevet forkert tilsat. Denne garanti gælder ikke:
 - Beskadigelse af produktet, som er et resultat af uegnet vedligeholdelse
 - Et produkt der er blevet ændret eller modificeret
 - Et produkt hvor de originale identifikationsmærkninger (varemærke, serienummer) er blevet ødelagt, ændret eller fjernet.
 - Enhver beskadigelse forårsaget af manglende overholdelse af vejledningen
 - Ethvert ikke CE-produkt
 - Ethvert produkt som er blevet forsogt repareret af en ukvalificeret professionel eller uden tidligere foranstaltning af Technonic Industries.
 - Ethvert produkt som er tilsat utilgængelig uegnet strømforsyning (ampere, spænding, frekvens)
 - Ethvert produkt som bruges med uegnet brændstoftilblanding (brændstof, olie, procentdel olie)
 - Enhver skade forårsaget af ekstern påvirkning (kemisk, fysisk, chok) eller fremmedelementer
 - Normal slid på reservedele
 - Uegnet brug, overbelastning af værktøjet
 - Brug af ikke-godkendt tilbehør eller dele
 - Alle regelmæssige justeringer eller vedligeholdelsesrengøring af karburatorer
 - Komponenter (dele og tilbehør) som er udsat for naturlig slid og ælde, inklusiv men ikke begrænset til drejeknapper, drivrem, greb, klinger til hækkeklimmere eller plæneklippere, sele, kabel gasspjæld, kulbørster, elledning, tænder, filtskiver, ophængstapper, blæserventilatorer, blæser- og sugeslanger, sugespøse og stropper, styrestænger, savkæder, slanger, forbindelsespakninger, sprøjtedyser, hjul, sprøjtestave, indvendige ruller, udvendige ruller, udvendige spoler, skærelinjer, tændrør, luftfilter, gasfilter, tildækningsblade etc.
4. For eftersyn skal produktet sendes til eller præsenteres for en RYOBI- autoriseret service værksted, som er oplyst for hvert land i den følgende liste over service værksted adresser. I nogle lande påtager din lokale RYOBI-forhandler sig ansvaret for at sende produktet til RYOBI-serviceorganisationen. Når et produkt sendes til en RYOBI-service værksted, skal det pakkes sikkert ind uden noget farligt indhold som benzin, mærkes med afsenderens adresse og med en kort beskrivelse af fejlen.
5. En reparation/erstatning under denne garanti er gratis. Den udgør ikke en forlængelse eller en ny start på garantiperioden. Udværgede dele eller værktøjer bliver vores ejendom. I nogle lande skal leveringsafgifter eller porto betales af afsenderen. Dine lovbestemte rettigheder i forbindelse med købet forbliver uanfægtede
6. Denne garanti gælder i EU, Schweiz, Island, Norge, Liechtenstein, Tyrkiet og Rusland. Udenfor disse områder bedes du kontakte din autoriserede RYOBI-forhandler for at afgøre, om en anden garanti gælder.

AUTORISEREDE SERVICEVÆRKSTEDER

Find nærmeste autoriserede serviceværksted på <http://dk.ryobitools.eu/header/service-and-support/service-agents>.

SV RYOBI® ANVÄNDNINGSVILLKOR FÖR GARANTI

Förutom eventuella lagstadgade rättigheter som uppstår genom köpet, täcks den här produkten av en garanti som anges nedan.

- Garantiperioden är 24 månader för konsumenter och börjar gälla från det datum då produkten köptes. Detta datum måste dokumenteras på en faktura eller annat köpbevis. Produkten är utformad och avsedd för konsumenter och privat bruk. Därmed tillhandahålls ingen garanti vid yrkesmässigt eller kommersiellt bruk.
- Det finns möjlighet att förlänga garantiperioden för en del av utbudet för trädgårdsverktyg (AC/DC) under den period som anges ovan genom att använda registreringen på webbplatsen www.ryobitools.eu. De verktyg som är berättigade till en förlängning av garantiperioden visas tydligt i butiker och/eller på förpackningen/och anges i produktdokumentationen. Slutanvändaren behöver registrera hans/hennes nyförvävade verktyg online inom 30 dagar från köpdatumet. Slutanvändaren kan registrera sig för den förlängda garantin i det land där han/hon bor om landet finns angivet i registreringsformuläret online och där detta alternativ är giltigt. Dessutom måste slutanvändaren ge sitt medgivande till lagring av data vilket krävs vid registrering online samt acceptera villkoren. Bekräftelsekvittot för registreringen som skickas ut via e-post och originalfakturan som visar köpdatumet kommer att gälla som bevis för den förlängda garantin.
- Garanti täcker alla produktdefekter under garantiperioden som beror på brister i utförande eller material vid köpdatumet. Garantin är begränsad gällande reparation och/eller utbyte och inkluderar inte några skyldigheter inklusive men inte begränsat till oförutsedda skador eller följdskador. Garantin är inte giltig om produkten har missbrukats, använts i strid med bruksanvisningen eller inte anslutits på rätt sätt. Denna garanti täcker inte:
 - eventuella skador på produkten som uppstått till följd av felaktigt underhåll
 - produkter som har ändrats eller modifierats
 - produkter där ursprungliga identifieringsmärkningarna (varumärke, serienummer) har målats över, ändrats eller tagits bort
 - eventuella skador som uppstått till följd av att bruksanvisningen inte efterföljts
 - alla icke CE-produkter
 - eventuella produkter som har försökts repareras av en icke-kvalificerad yrkesman eller utan föregående medgivande från Techtronic Industries.
 - eventuella produkter som anslutits till felaktig strömförsörjning (ampere, volt, frekvens)
 - eventuella produkter som använts med olämplig bränsleblandning (bränsle, olja, oljeprocent)
 - eventuella skador som uppstått till följd av yttre påverkan (kemisk, fysisk, stöt) eller främmande ämnen
 - normalt slitage av reservdelar
 - olämplig användning, överbelastning av verktyget
 - användningen av icke-godkända tillbehör eller delar
 - Eventuella periodiska justeringar av eller vid underhållsrengöring av förgasare
 - Komponenter (delar och tillbehör) är föremål för naturligt slitage, inklusive men inte begränsat till tryckknappar, drivremmar, koppling, blad till kantrimrar eller gräsklippare, sele, gasreglagevajer, kolborstar, strömsladd, spetsar, filtbrickor, kopplingsprint, blåsfäkt, blås- och sugrör, sugpåse och remmar, styrskenor, sägkedjor, slangar, anslutningsdonördel, spraymunstycken, hjul, spraystavar, innerrullar, ytterspolar, skärtråd, tändstift, luftfilter, gasfilter, sönderdelningsblad osv.
- Vid service måste produkten skickas eller uppvisas för en RYOBI- auktoriserad servicestation som står angiven för varje land i följande adresslista över servicestationer. I vissa länder tar din lokala RYOBI- återförsäljare på sig ansvaret att skicka produkten till RYOBI- serviceorganisationen. När en produkt skickas till en RYOBI-servicestation, ska produkten paketeras säkert utan något farligt innehåll såsom bensin, markeras med avståndens adress samt en kort beskrivning av felet.
- En reparation/ett utbyte under denna garanti är kostnadsfri. Det utgör inte en förlängning eller förnyelse av garantiperioden. Utbyta delar eller verktyg blir vår egendom. I vissa länder måste leveranskostnader eller porto betalas av avståndens. Dina lagstadgade rättigheter som härrör från köpet av verktyget förblir opåverkade
- Denna garanti är giltig i Europeiska gemenskapen: Schweiz, Island, Norge, Liechtenstein, Turkiet och Ryssland. Utanför dessa länder, kontakta din auktoriserade RYOBI-återförsäljare för att avgöra om en annan garanti gäller.

AUKTORISERAT SERVICECENTER

Du hittar närmaste auktoriserade servicecenter genom att gå till <http://se.ryobitools.eu/header/service-and-support/service-agents>.

FI RYOBI®-TAKUUN SOVELTAMISEHDOT

Tällä tuotteella on oston luomien lakisäätteisten oikeuksien ohella alla mainitun mukainen takuu.

- Takuun kesto on kuluttajille 24 kuukautta ja takuuaika alkaa tuotteen ostohetkestä. Tämän päivämäärän tulee lukea laskussa tai muussa ostositotissa. Tuote on suunniteltu ja tarkoitettu vain kuluttajien ja yksityiseen käyttöön. Takuu ei siis kata ammatti- eikä kaupallista käyttöä.
- Joidenkin puutarhatyökalujen (AC/DC) takuun kesto on mahdollista laajentaa yllä mainittua kestoä pidemmäksi verkkosivuston www.ryobitools.eu rekisteröinnin kautta. Työkalujen kelpoisuus takujakson laajennukseen näkyy selkeästi myymälöissä ja/tai pakkaussissa ja/tai tämä tieto sisältyy tuotetiedokuntaan. Loppukäyttäjän täytyy rekisteröidä vasta hankitut työkalut internetissä 30 päivän kuluessa ostopäivämäärästä. Loppukäyttäjän voi rekisteröidä laajennetun takuun kotimaassaan, jos se on luettuna online-rekisteröintilomakkeessa, jossa mainitaan, missä tämä vaihtoehto on voimassa. Loppukäyttäjien täytyy lisäksi hyväksyä tietojen tallennus, jotka heidän täytyy antaa online-tilassa sekä ehdot. Rekisteröinnin vahvistuskuitti, joka lähetetään sähköpostitse, ja alkuperäinen ostopäivämäärän ilmaiseva lasku toimivat laajennetun takuun tositteina.
- Takuu kattaa kaikki tuotteen takuuaikana tulevat viat, joiden aiheuttajina ovat tuotteen ostopäivänä olleet valmistus- tai materiaaliviat. Takuu on rajoitettu korjaukseen ja/tai vaihtoon eikä se sisällä mitään muita velvoitteita mukaan lukien satunnais- ja seurannaisvahinkoja, mutta rajoittumatta niihin. Takuu ei päde, jos tuotetta on käytetty väärin, käyttöohjeen vastaisesti tai jos se on liitetty virheellisesti. Tämä takuu ei kata:
 - virheellisesti huolustoa johtuvia vaurioita
 - muunnettua tai muutettua tuotetta
 - tuotetta, jonka alkuperäiset tunnistemerkinnät (tavaramerkki, sarjanumero) on turmeltu, muutettu tai poistettu
 - tämän käyttööppaan laiminlyönnistä johtuvia vaurioita
 - ei-CE-tuotetta
 - tuotetta, jota on yrittänyt korjata epäpätevä ammattilainen tai joka on rajoittu ilman Techtronic Industrien ennakkolupaa.
 - tuotetta, joka on liitetty virheelliseen teholahteeseen (ampeirit, jännite, taajuus)
 - tuotetta, jossa on käytetty väärää polttoaineseosta (polttoaine, öljy, öljyprosentti)
 - ulkoisten vaikutusten (kemiallinen, fyysinen, iskut) tai vieraiden aineiden aiheuttamaa vauriota
 - normaaleja kuluvia varaosia
 - virheellistä käyttöä, työkalun ylikuormitusta
 - ei-hyväksytyjen tarvikkeiden tai osien käyttöä
 - Kaasutinten säännöllistä säätöä tai ylläpitävää puhdistusta
 - Luonnollisesti kuluvia komponentteja (osia tai tarvikkeita), joihin sisältyvät puskunupit, käyttöihinat, kytkin, pensasleikkuriin tai ruohonleikkuriin terät, valjaat, kaasuvaijeri, hiiharijat, virtajohto, piikit, huopatiivisteet, sokkakatit, puhallinten tuulettimeet, puhallin- ja imuputket, imuriin säkit ja hinnat, terälevyt, sahankeijut, letkut, liitososat, suihkusuihutteet, pyörät, ruiskutusputket, sisä- ja ulkokelat, leikkuusuijimat, hehkutulpat, ilmansuodattimet, kaasusuodattimet, silppuperät yms. näihin kuitenkin rajoittumatta.
- Tuote on lähetettävä huollettavaksi valituttuun RYOBI-huoltoon tai näytettävä silleä. Niiden osioteet kussakin maassa löytyvät seuraavasta luettelosta. Joissakin maissa paikallinen RYOBI-jälleenmyyjä huolehtii tuotteen lähetyksestä RYOBI-huolto-organisaatioon. Kun tuote lähetetään RYOBI-huoltoon, se täytyy pakata hyvin ilman vaarallisia aineita, kuten polttoainetta, ja pakkaukseen täytyy merkitä lähettäjän nimi sekä vain lyhyt kuvaus.
- Takuun kattama korjaus/vaihto on maksuton. Se ei tarkoita takuujajan laajennusta tai alkamista alusta. Vahdetut osat tai työkalut siirtyvät valmistajan omistukseen. Joissakin maissa lähettäjän täytyy maksaa lähetyskustannukset tai postikulut. Työkalun oston luomat lakisäätteiset oikeudet pysyvät koskemattomina
- Tämä takuu on voimassa Euroopan yhteisössä, Sveitsissä, Islannissa, Norjassa, Liechtensteinissa, Turkissa ja Venäjällä. Ota näiden alueiden ulkopuolella yhteyttä omaan valituttuun RYOBI-jälleenmyyjään ja selvitä, onko jotain muuta takuuta.

VALTUUTETTU HUOLTO

Voit etsiä lähimmän valtuutetun huollon sivulla <http://fi.ryobitools.eu/header/service-and-support/service-agents>.

NO RYOBI® GARANTIBETINGELSER

I tillegg til eventuelle lovbestemte rettigheter som følger av kjøpet, er dette produktet dekket av en garanti som angitt nedenfor.

- Garantiperioden er 24 måneder for konsumenter og gjelder fra den datoen som produktet ble kjøpt. Denne datoen skal dokumenteres med en faktura eller annet kjøpsbevis. Produktet er designet og beregnet kun til konsument- og privat bruk. Så det gis ingen garanti ved profesjonell eller kommersiell bruk.
- For en del av utvalget av hageverktøy (AC/DC) er det mulighet til å utvide garantiperioden i den perioden som er beskrevet ovenfor ved bruk av registreringene på nettsidene www.ryobitools.eu. Kvalifiseringen av verktøyene for en utvidelse av garantiperioden er tydelig vist i butikker og 7eller på pakningen / og finnes innen produktdokumentasjonen. Sluttbrukeren må registrere sine nylig anskaffede verktøy online innen 30 dager etter kjøpsdato. Sluttbrukeren kan registrere seg for den utvidede garantien i sitt land hvis det er opplistet på online registreringsskjemaet der dette alternativet er gyldig. Videre må sluttbrukere gi sitt samtykke til oppbevaring av dataene som kreves for å gå online, og de må godta vilkår og betingelser. Registreringsbekreftelsen, som sendes ut på e-post, og den originale fakturaen som viser kjøpsdato, vil tjene som bevis for den utvidede garantien.
- Garantien dekker alle defekter i produktet under garantiperioden på grunn av defekter i utførelse eller materiale på kjøpsdato. Garantien er begrenset til å reparere og/eller erstatte og inkluderer ikke noen andre forpliktelse, inkludert, men ikke begrenset til, tilfeldige eller følgesmessige skader. Garantien er ikke gyldig hvis produktet har blitt misbrukt, brukt på annen måte enn det som beskrives i bruksanvisningen eller er koblet til på feil måte. Denne garantien gjelder ikke for:
 - enhver skade på produktet som er resultat av utilstrekkelig vedlikehold
 - ethvert produkt som har blitt endret eller modifisert
 - ethvert produkt der de originale identifiseringsmerkene (varemerke, serienummer) har blitt uleselig, er endret eller fjernet
 - enhver skade som forårsakes av ikke-overholdelse av instruksjonshåndboken
 - ethvert ikke-CE-produkt
 - ethvert produkt som har blitt forsøkt reparert eller av en ikke-kvalifisert fagperson eller uten tidligere autorisasjon fra Techtronic Industries.
 - ethvert produkt tilkoblet feil strømforsyning (ampere, spenning, frekvens)
 - ethvert produkt som brukes med feil drivstoffblanding (drivstoff, olje, prosentandel olje)
 - enhver skade som er forårsaket av eksterne påvirkninger (kjemiske, fysiske, støt) eller fremmede stoffer
 - normal slitasje og sliteservvedeler
 - feil bruk, overbelastning av verktøyet
 - bruk av ikke-godkjent tilbehør eller deler
 - Eventuelle periodiske justeringer av eller vedlikeholdsrengjøring av forbrennere
 - Komponenter (deler og tilbehør) som er underlagt naturlig slitasje, inkludert, men ikke begrenset til bulkknott, drivreimer, clutch, blader på hektrimmere eller gressklippere, seler, kabelspjeld, karbonborster, strømledning, kniver, feltpakninger, heispinner, blåsevifter, blåse- og vakuumslang, vakuumpose og reimer, førerstenger, sagkjeder, strømpere, koblingsmonteringer, spraydyser, hjul, spraystenger, indre spoler, ytre spoler, kuttelinjer, tennplugg, luftfilter, gassfilter, mulchingblader osv.
- For service må produktet sendes eller fremlegges for en RYOBI- autorisert servicestasjon opplistet for hvert land i den følgende listen over servicestasjonsadresser. I noen land sender den lokale RYOBI-forhandleren produktet til RYOBI serviceorganisasjonen. Ved å sende et produkt til en RYOBI servicestasjon skal produktet være sikkert pakket uten noe farlig innhold, slik som bensin, merket med senderens adresse og fulgt av en kort beskrivelse av feilen.
- En reparasjon/erstatning under denne garantien er gratis. Den utgjør ingen forlengelse eller en ny start av garantiperioden. Utskleddede deler eller verktøy blir vår eiendom. I noen land vil leveringskostnader eller franking måtte betales av senderen. Dine lovbestemte rettigheter som oppstår fra kjøp av verktøyet forblir uberørt.
- Denne garantien er gyldig i EU, Sveits, Island, Norge, Liechtenstein, Tyrkia og Russland. Utenfor disse områdene ta kontakt med din autoriserte RYOBI-forhandler om en annen garanti gjelder.

AUTORISERT SERVICESENTER

For å finne et autorisert servicecenter i nærheten, gå til <http://no.ryobitools.eu/header/service-and-support/service-agents>.

RU УСЛОВИЯ ПРИМЕНЕНИЯ ГАРАНТИИ НА ПРОДУКЦИЮ RYOBI®

Помимо законных прав, возникающих при покупке, данное изделие покрывается гарантией в соответствии с приведенными ниже пунктами.

- Гарантийный период для покупателя составляет 24 месяца с даты покупки изделия. Дата покупки должна быть подтверждена полностью заполненным гарантийным талоном и чеком о покупке. Данное изделие предназначено только для частного использования покупателем. Поэтому гарантия не распространяется на использование в профессиональных или коммерческих целях.
- Предусмотрена возможность продления для части изделий пилейных садовых инструментов (AC/DC) гарантийного периода с помощью регистрации на сайте www.ryobitools.eu. Право инструмента на продление гарантийного периода четко указано в магазинах и / или на упаковке / и содержится в сопутствующей инструменту документации. Конечный пользователь должен зарегистрировать свой приобретенный инструмент в течение 30 дней с даты покупки. Конечный пользователь может зарегистрировать свой инструмент на продление гарантии в стране своего проживания, если она указана в форме онлайн-регистрации. Кроме того, конечный пользователь должен дать свое согласие на хранение данных, которые необходимо ввести в онлайн-форму и принять правила и условия. Подтверждение регистрации, которое вы получите по электронной почте, заполненный гарантийный талон и оригинальный чек, в котором указана дата покупки, будут служить доказательством продленной гарантии.
- Гарантия покрывает в течение гарантийного периода все дефекты качества или материала изделия на дату покупки. Гарантия ограничена ремонтом и / или заменой и не включает никакие другие обязательства, включая, но не ограничиваясь случайными или косвенными убытками. Гарантия становится недействительной, если изделие использовалось не по назначению, вопреки инструкциям, данным в Руководстве пользователя или было неправильно подключено. Настоящая гарантия не распространяется на:
 - любые повреждения изделия в результате неправильного технического обслуживания или недостаточного ухода за инструментом
 - любые изделия, подвергшиеся изменениям и модификации
 - любые изделия, оригинальные идентификационные отметки которого (торговая марка, серийный номер) были повреждены, изменены или удалены
 - любые повреждения, вызванные несоблюдением инструкций Руководства пользователя
 - любые изделия, не сертифицированные маркировкой "CE" для продажи в Европейском союзе
 - любые изделия, подвергшиеся попыткам ремонта неквалифицированным работником или без предварительного утверждения компании Techtronic Industries.
 - любые изделия, подключенные к неправильному источнику питания (сила тока, напряжение, частота)
 - любые изделия, в которых использовались несоответствующие топливные смеси (топливо, масло, процент масла)
 - любые повреждения, вызванные внешними воздействиями (химические, физические, удары) или посторонними веществами
 - естественный износ запасных деталей
 - несуществующее использование, перегрузка инструмента
 - использование неутвержденных аксессуаров и неоригинальных запасных деталей
 - любые регулярные регулировки, техническое обслуживание или чистка карбюраторов
 - компоненты (детали и аксессуары), подверженные естественному износу, включая, но не ограничиваясь фиксаторы шпильки приводные ремни, ценные муфты, лезвия триммеров и газонокосилок, плечевые ремни, кабельный дроссельный регулятор, угольные щетки, кабели питания, зубья, волочные шайбы, фиксирующие шпильки, вентиляторы воздушники, трубки воздушники и пылесоса, мешок для сбора мусора и ремни, пыльные шины, пыльные цепи, шланги, соединительные детали, распылительные насадки, колеса, распрыскивательные переходники, внутренние катушки и шпильки, режущую леску, свечи зажигания, воздушные и топливные фильтры, мульчирующие лезвия и др.
- Для проведения технического обслуживания изделие следует направлять в авторизованные сервисные центры RYOBI, указанные для каждой страны в приведенном ниже списке адресов станций сервисного обслуживания. В некоторых странах местные дилеры RYOBI отправляют изделия в сервисные организации RYOBI. При отправке изделия в сервисный центр RYOBI, изделие должно быть безопасно упаковано и не содержать никаких опасных веществ, таких как бензин, должен быть подписан адрес отправителя и сопровождаться кратким описанием неисправности.
- Ремонт / замена проводится в рамках настоящей гарантии бесплатно. Он не продлевает гарантию и не начинает новый гарантийный период. Заменяемые детали и инструменты становятся нашей собственностью. В некоторых странах отправитель должен оплачивать стоимость отправки. Ваши законные права, возникающие при покупке инструмента, остаются неизменными
- Данная гарантия действительна в Европейском Сообществе, Швейцарии, Исландии, Норвегии, Лихтенштейне, Турции и России. Вне указанных территорий обращайтесь к своему авторизованному дилеру RYOBI, чтобы узнать, применяются ли условия каких-либо других гарантий.

УПОЛНОМОЧЕННЫЙ СЕРВИСНЫЙ ЦЕНТР

Чтобы найти ближайший уполномоченный сервисный центр, обратитесь к веб-сайту <http://ru.ryobitools.eu/header/service-and-support/service-agents>.

PL WARUNKI GWARANCJI RYOBI®

Oprócz praw ustawowych wynikających z zakupu produkt jest objęty gwarancją, której warunki podano poniżej.

- Okres gwarancyjny wynosi 24 miesiące dla konsumentów i rozpoczyna się w dniu zakupu produktu. Datę zakupu należy udokumentować fakturą lub innym dowodem zakupu. Produkt został zaprojektowany i jest przeznaczony do użytku konsumentycznego i prywatnego. W związku z tym gwarancja nie obejmuje zastosowań profesjonalnych i komercyjnych.
- Istnieje możliwość wydłużenia okresu gwarancyjnego dla części asortymentu narzędzi ogrodniczych (AC/DC) poprzez zarejestrowanie produktu na stronie internetowej www.ryobitools.eu. Kwalifikowalność narzędzi do wydłużenia okresu gwarancyjnego jest wyraźnie określona w sklepach i/lub na opakowaniu oraz w dokumentacji produktu. Użytkownik końcowy musi zarejestrować nowo kupione narzędzia online w ciągu 30 dni od daty zakupu. Użytkownik końcowy może zarejestrować się w celu przedłużenia gwarancji w swoim kraju zamieszkania, jeżeli jest on wymieniony w formularzu rejestracji online, gdzie opcja ta obowiązuje. Ponadto użytkownicy końcowi muszą wyrazić zgodę na przechowywanie danych, wprowadzanych na stronie internetowej i zaakceptować regulamin. Dowodem wydłużenia gwarancji jest wysłane pocztą elektroniczną potwierdzenie rejestracji i oryginalny formularz potwierdzający datę zakupu.
- Gwarancja obejmuje wszystkie wady produktu ujawnione w okresie gwarancyjnym wynikające usterek wykonania lub materiału obecnego w dniu zakupu. Gwarancja jest ograniczona do naprawy i/lub wymiany i nie obejmuje żadnych innych zobowiązań, w tym między innymi odpowiedzialności za szkody przypadkowe lub wtórne. Gwarancja nie obowiązuje, jeżeli produkt był nieprawidłowo używany, używany niezgodnie z instrukcją lub nie był prawidłowo podłączony. Gwarancja nie obejmuje:
 - uszkodzenia produktu wynikającego z nieprawidłowej konserwacji,
 - produktu, który został zmieniony lub zmodyfikowany,
 - produktu, którego oryginalne oznaczenie (znak towarowy, numer seryjny) zostało zniszczone, zmienione lub usunięte,
 - jakichkolwiek uszkodzeń wynikających z nieprzestrzegania instrukcji,
 - jakiegokolwiek produktu bez certyfikatu CE,
 - jakiegokolwiek produktu, który próbowano naprawiać z pomocą niewykwalifikowanej osoby lub bez uzyskania wcześniejszej zgody firmy Techtronic Industries.
 - jakiegokolwiek produktu podłączonego nie nieprawidłowego źródła zasilania (nieprawidłowe napięcie prądu, napięcie, czystość),
 - jakiegokolwiek produktu, który był używany z nieprawidłową mieszanką paliwową (paliwo, olej, procentowy udział oleju),
 - jakichkolwiek uszkodzeń spowodowanych wpływem czynników zewnętrznych (chemicznych, fizycznych, drgań) lub substancji obcych,
 - normalnego zużycia części zamiennych,
 - nieprawidłowego użycia, przeciążenia narzędzia,
 - stosowania niezatwierdzonych akcesoriów lub części,
 - jakichkolwiek okresowych regulacji lub czyszczenia gaźników w ramach konserwacji
 - elementów (części i akcesoriów) podlegających naturalnemu zużyciu, obejmujących, między innymi, kopułki do zwalniania żyłki, pasy napędowe, sprzęgło, ostrza przycinarek do żywoptłotów lub kosiarzek do trawy, uprząż, przepustnicę linkową, szczołki węglowe, przewód zasilania, zęby, podkładki filcowe, kołki podnośnika, wentylatory dmuchawy, rury nadmuchowe i ssawne, worek na śmieci i paski, prowadnice, łańcuchy piły, węże, mocowanie złącz, dysze natryskowe, koła, opręta natryskowe, szpule wewnętrzne, szpule zewnętrzne, filtry gazu, ostrza do ściółkowania itp.
- W celu serwisowania produkt należy wysłać lub okazać w autoryzowanym punkcie serwisowym RYOBI znajdującym się na przedstawionym poniżej wykazie punktów serwisowych w poszczególnych krajach. W niektórych krajach lokalny dystrybutor produktów RYOBI podejmuje się wysyłki produktu do centrum serwisowego RYOBI. W przypadku wysyłki do punktu serwisowego RYOBI produkt — pozbawiony jakichkolwiek niebezpiecznych substancji, na przykład benzyny — należy bezpiecznie zapakować i dołączyć adres nadawcy oraz krótki opis usterek.
- Naprawa/wymiana w ramach niniejszej gwarancji jest bezpłatna. Nie stanowi jednak o przedłużeniu lub rozpoczęciu od nowa biegu okresu gwarancyjnego. Wymienione części lub narzędzia stają się naszą własnością. W przypadku niektórych krajów nadawca będzie musiał uregulować koszty dostawy lub opłaty pocztowe. Prawa ustawowe wynikające z zakupu narzędzia pozostają niezmienione.
- Niniejsza gwarancja obowiązuje w Unii Europejskiej, Szwajcarii, Islandii, Norwegii, Liechtensteinie, Turcji i Rosji. Poza tymi obszarami należy skontaktować się z autoryzowanym dostawcą produktów RYOBI i ustalić, czy obowiązuje inna gwarancja.

AUTORYZOWANY PUNKT SERWISOWY

Najbliższy autoryzowany punkt serwisowy można wyszukać w witrynie internetowej <http://pl.ryobitools.eu/header/service-and-support/service-agents>.

CS ZÁRUČNÍ PODMÍNKY RYOBI®

Kromě zákonných práv vyplývajících z koupě výrobku se na tento výrobek vztahuje také níže uvedené záruka.

- Záruční doba pro spotřebitele je 24 měsíců a začíná datem nákupu výrobku. Datum musí být zaznamenáno na fakturě nebo jiném dokladu o koupi. Tento výrobek je navržen a určen pouze pro soukromé účely spotřebitelů. Záruka se tedy nevztahuje na profesionální nebo komerční využití výrobku.
- U některých zahradních nástrojů (AC/DC) je možné záruční dobu prodloužit. K tomu je nutná registrace na stránkách www.ryobitools.eu. Možnost prodloužené záruční doby výrobků je jasně uvedena v prodejních, popř. na obalech nebo v dokumentech o výrobku. Koncový uživatel musí svůj nový nástroj zaregistrovat online do 30 dnů od data nákupu. Koncový uživatel se může k prodloužené záruční době zaregistrovat v zemi trvalého pobytu, pokud je tato uvedena na internetovém registračním formuláři u výrobku, kde je tato možnost dostupná. Koncoví uživatelé musí dále souhlasit s uložením osobních údajů, která musí zadat na internetu, a přijmout obchodní podmínky. E-mail s potvrzením registrace a původní faktura s datem koupě poslouží jako důkaz o prodloužené záruce.
- Záruka se vztahuje na veškeré vady na výrobku v rámci záruční doby způsobené výrobními vadami nebo vadami materiálu v době koupě. Záruka je omezena na opravu, popřípadě výměnu a nezahrnuje žádné další povinnosti, včetně mimo jiné vedlejších či následných odškodnění. Záruka neplatí při použití výrobku k nevhodným účelům, v rozporu s uživatelskou příručkou nebo při nesprávném zapojení. Záruka se nevztahuje na:
 - veškeré škody na výrobku způsobené nesprávnou údržbou
 - veškeré produkty, které byly pozměněny nebo upraveny
 - veškeré produkty, kde byly původní identifikační prvky (obchodní značka, sériové číslo) poničeny, pozměněny nebo odstraněny
 - veškeré škody způsobené nedodržováním pokynů uživatelské příručky
 - veškeré produkty bez CE certifikace
 - veškeré produkty, které se pokusil opravit nekvalifikovaný odborník nebo opravy bez předchozího svolení společnosti Techtronic Industries.
 - veškeré produkty zapojené do nesprávného elektrického zdroje (proud, napětí, frekvence)
 - veškeré produkty používané s nevhodnou palivovou směsí (paliwo, olej, procento oleje)
 - veškeré škody způsobené externími vlivy (chemickými, fyzickými, nárazy) nebo cizími látkami
 - běžné opotřebování dílů
 - nevhodné použití, přetěžování nástroje
 - použití neschválených příslušenství nebo dílů
 - veškerá pravidelná seřízení nebo čištění v rámci údržby karburátorů
 - komponenty (díly a příslušenství) podléhající opotřebení, včetně mimo jiné nárazových koleček, posuvných pásů, spojek, kožů plotových nůžek a sekaček na trávu, popruhu, plynového lanka, karbonových kartáčů, napájecího kabelu, zubů, plstěných podložek, závěsných kolků, větráků fukaru, trubic fukaru a vysavače, vaku a popruhu vysavače, vodících lišt, pilových řetězů, hadic, konektorů, trysek, kol, stříkacích tyčí, vnitřních cívek, vnějších kotoučů, řezných strun, zapalovacích svíček, vzduchových filtrů, plynových filtrů, mulčovačích nožů atd.
- K provedení servisu musí být výrobek zaslán nebo předán do autorizovaného servisního centra společnosti RYOBI, jejichž adresy jsou uvedeny podle zemi v seznamu servisních center. V některých zemích za vás výrobek pošle servisní organizaci RYOBI sám prodejce výrobků této značky. Při zaslání výrobku do servisního centra RYOBI je potřeba výrobek bezpečně zabalit bez nebezpečného obsahu jako benzín, opatřit adresou odesílatele a připojit krátký popis závady.
- Oprava, popř. výměna v rámci této záruky je zdarma. Neznamená to prodloužení nebo začátek nové záruční lhůty. Vyměněné díly nebo nástroje přejdou do našeho vlastnictví. V některých zemích platí poštovné odesílatele. Vaše zákonná práva vyplývající z koupě tohoto nástroje zůstávají nedotčena.
- Tato záruka platí v Evropském Společenství, Švýcarsku, Norsku, Lichtenštejnsku, Turecku, Rusku a na Islandu. Mimo tuto území kontaktujte autorizovaného prodejce značky RYOBI, který zjistí, zda se na výrobek vztahuje jiná záruka.

POVĚŘENÉ SERVISNÍ STŘEDISKO

Pro nalezení nejbližšího pověřeného servisního střediska navštivte <http://cz.ryobitools.eu/header/service-and-support/service-agents>.

HU A RYOBI® GARANCIA ALKALMAZÁSÁNAK FELTÉTELEI

A vásárlásból adódó törvényben rögzített jogok mellett a termékre az alábbi garancia vonatkozik.

1. A fogyasztói garancia tartama 24 hónap, mely a termék vásárlásának napjával kezdődik. Ezt a dátumot számlával vagy a vásárlást igazoló egyéb dokumentummal kell bizonyítani. A termék rendelkezése csak fogyasztói és magánéleltel használat. Ezért professzionális vagy kereskedelmi használat esetén a garancia nem érvényes.
2. A kerti szerszámok (egyenáramú/váltóáramú) egy részénél a garancia időtartama a www.ryobitools.eu weboldalon regisztrálva meghosszabbítható. Az áruházakban, a csomagoláson, illetve a termék dokumentációjában egyértelműen jelezzük, hogy az adott termék garanciája meghosszabbítható-e. A végfelhasználónak a vásárlás dátumától számított 30 napon belül regisztrálnia kell az újonnan vásárolt szerszámot. A végfelhasználó akkor regisztrálhat a kiterjesztett garanciára, ha az ország, ahol lakik, fel van sorolva az online regisztrációs űrlapon azon országok között, ahol választható ez az opció. Ezenkívül a végfelhasználónak bele kell egyeznie az online regisztrálás során szükséges adatok tárolásába, és el kell fogadnia a felhasználási feltételeket. A kiterjesztett garanciát a regisztráció beérkezésétől e-mailben küldött visszaigazolás és a vásárlás dátumát tartalmazó eredeti számla igazolja.
3. A garancia a termék vásárlásakor fennálló, a gyártás során keletkezett hibákra és anyaghibákra érvényes a garanciális időtartamon belül. A garancia csak a javításra/cseréire korlátozódik, és nem terjed ki semmilyen egyéb kötelezettségre, nem kizárólagosan ideértve a véletlen vagy szándékos rongálást. A garancia nem érvényes, ha a terméket nem megfelelően, a használati utasításban foglaltakkal ellentétben, illetve nem megfelelően csatlakoztatva használták. A garancia nem vonatkozik:
 - a terméket a nem megfelelő karbantartás következtében ért károsodásra – megváltoztatott vagy átalakított termékre
 - olyan termékre, melyen az eredeti azonosítókat (védjegy, sorozatszám) megrongálták, megváltoztatták vagy eltávolították
 - a használati utasítás be nem tartásából eredő kár
 - CE jelöléssel nem rendelkező termékekre
 - olyan termékre, melyet nem képzett, illetve a Techtronic Industries által nem feljogosított szerelő javított
 - nem megfelelő (áramerősségű, feszültségű, frekvenciájú) áramforrásra csatlakoztatott termékre
 - nem megfelelő üzemanyag-keverékkel (üzemanyag, olaj, olaj aránya) használt termékre
 - külső (vezényi, fizikai, ütés) hatásokból vagy idegen anyagokból eredő károk
 - a cserélhető alkatrészek természetes kopására és elhasználódására
 - a szerzőszám helytelen használatára, tültérhelésére
 - nem jóváhagyott tartozékok és alkatrészek használatára
 - A karburátorok rendszeres beállítása, karbantartása, tisztítása
 - A természetes kopásnak és elhasználódásnak kitett alkatrészek és kiegészítők, például (de nem kizárólag) damildobok, ékszíjak, foglalatok, sövényvágók és fűnyírók kése, heveder, gázbowden, szénkefék, tápkábel, kultivátorfogak, filcaltételek, akasztószögek, fűvókészülékek ventilátora, fűvő- és szívócsövek, szívózsák és pántok, terelőrudak, fűrészláncok, tömlők, csatlakozószervevények, permetezőfejek, kerekék, permetezőszárazak, belső dobok, külső csévék, vágódamillók, gyújtógyertyák, légszűrők, gázsűrők, mulcsözőkésék stb.
4. A terméket javításra el kell vinni egy meghatalmazott RYOBI szervizbe; ezeket az egyes országokhoz a következő listában találja. Egyes országokban a helyi RYOBI kereskedő vállalja a termék elszállítását a RYOBI szervizbe. A terméket veszélyes tartalom, például benzín nélkül csomagolva, a feladó címét feltüntetve, a hiba rövid leírásával együtt küldje el a RYOBI szervizbe.
5. A jelen garancia hatálya alatt végzett javítás, illetve csere ingyenes. Nem jeleníti a garanciális időtartam újraindulását. A kicserélt alkatrészek és szerszámok a mi tulajdonunkba kerülnek. Egyes országokban a szállítás vagy postázás költségét a feladó viseli. A vevőnek a szerzőszám megvásárlásából adódó törvényes jogai nem változnak.
6. Jelen garancia az Európai Közösségben, Svájcban, Izlandon, Norvégiában, Liechtensteinben, Törökországban és Oroszországban érvényes. E területen kívül kérdezze meg a RYOBI forgalmazót, hogy milyen garancia van érvényben.

HIVATALOS SZERVIZKÖZPONT

A legközelebbi hivatalos szervizközpont megtalálásához látogasson el a <http://hu.ryobitools.eu/header/service-and-support/service-agents>.

RO CONDIȚII DE APLICARE A GARANȚIEI PENTRU PRODUSELE RYOBI®

În plus față de condițiile statutare rezultate din achiziționarea acestui produs, acesta este acceptat de garanția stipulată mai jos.

1. Perioada de garanție este de 24 de luni pentru consumatori și începe de la data achiziționării produsului. Data de începere a garanției trebuie demonstrată cu o factură sau altă dovadă a cumpărării produsului. Produsul este destinat și conceput doar pentru utilizare în scopuri personale. Din acest motiv, nu se oferă garanție pentru utilizarea sa în scop profesional sau comercial.
2. Există posibilitatea de extindere a perioadei de garanție pentru gama de unelte electrice pentru grădina (de CA/CC) peste perioada stipulată mai sus prin înscrierea produsului pe website-ul www.ryobitools.eu. Eligibilitatea pentru perioada de extindere a garanției este afișată în mod clar în magazinele de vânzare și/sau pe ambalaj sau este inclusă în documentația livrată împreună cu produsul. Utilizatorul final este obligat să-și înregistreze produsul online în termen de maxim 30 de zile de la achiziția acestuia. Utilizatorul final poate înregistra produsul pentru garanția extinsă oferită în țara sa de rezidență dacă aceasta este listată în formularul de înregistrare online și dacă această opțiune este validă. În plus, utilizatorii finali trebuie să-și dea acordul pentru stocarea datelor personale solicitate la înregistrarea online și trebuie să accepte termenii și condițiile. Mesajul de confirmare a înregistrării, trimis prin e-mail și factura originală cu data achiziției vor dovedi perioada de garanție extinsă.
3. Garanția acoperă toate defecțiunile produsului survenite în perioada de garanție datorate defectelor de execuție sau materialelor folosite, începând cu data achiziției acestuia. Garanția este limitată la reparare și/sau înlocuire și nu include alte obligații, inclusiv, dar fără a se limita la daune accidentale sau rezultate pe cale de consecință. Garanția își pierde valabilitatea dacă produsul este utilizat necorespunzător, utilizat necorespunzător cu instrucțiunile de utilizare din manualul cu instrucțiuni sau conectat incorect. Garanția nu se aplică în cazul:
 - oricărei defecțiuni survenite în urma înnecării necorespunzătoare a produsului
 - oricărui produs alterat sau modificat
 - oricărui produs la care inscripțiile cu datele de identificare (marca comercială, numărul de serie) au fost șterse, modificate sau îndepărtate
 - oricărei defecțiuni datorate neconformării cu instrucțiunile din manualul de utilizare
 - oricărui produs necertificat CE
 - oricărui produs asupra căruia au fost efectuate tentative de reparare de către personal necalificat sau fără autorizație prealabilă din partea Techtronic Industries.
 - oricărui produs conectat la o sursă de alimentare necorespunzătoare (curent, tensiune, frecvență)
 - oricărui produs utilizat cu un amestec de carburant necorespunzător (combustibil, ulei, proporții de adaos ulei)
 - oricărui defecțiune datorate unor influențe externe (chimice, fizice, șocuri) sau substanțe străine
 - uzurii și fisurării normale a pieselor de rezervă
 - utilizării neadecvate, suprasolicitării uneltei
 - utilizării de piese și accesorii neaprobate
 - Operațiunile de curățare sau reglare periodică a carburatoarelor
- Componentele (piese și accesorii) supuse uzurii și defectării normale, care includ, fără a se limita la manșoane de protecție, curele de transmisie, ambreiaj, lamele de la tăietoarele de arbore sau gazon, harnașamente, cablu de accelerație, perii de cărbune, cordon de alimentare, dinți, discuri de păslă, știfturi de siguranță, ventilatoare de suflantă, tuburi de aspirare sau suflare, sac de colectare resturi și banda de susținere a acestuia, bare de ghidare, lanțuri de fierăstrău, furtunuri, accesorii de conectare, duze de pulverizare, volante, baghete de pulverizare, moșoare interne, carcase exterioare pentru moșoare, fire tăietoare, bujii, filtre de aer, filtre de gaz, lame de tocător, etc.
4. Pentru efectuarea reparațiilor, produsul trebuie trimis sau adus la un centru de reparații autorizat RYOBI din lista următoare de centre de reparații prezentate pentru fiecare țară. În anumite țări, reprezentatul local RYOBI va trimite produsul spre reparare la sediul central de reparații RYOBI. Atunci când trimiteți produsul spre reparare la un centru de reparații RYOBI, acesta trebuie ambalat în siguranță, fără conținut periculos (cum ar fi benzină), marcat cu adresa expeditorului și însoțit de o scurtă descriere a defectului.
5. Repararea/înlocuirea în perioada de garanție este gratuită. Aceasta nu este însoțită de o prelungire sau o reinițiere a perioadei de garanție. Piesele sau uneltele schimbate devin proprietatea dvs. În anumite țări, taxele de expediție sau postale vor fi suportate de expeditor. Drepturile dvs. statutare rezultate din achiziția produsului rămân neschimbate.
6. Această garanție este valabilă în Comunitatea Europeană, Elveția, Islanda, Norvegia, Liechtenstein, Turcia și Rusia. În afara acestor zone, vă rugăm să contactați reprezentantul dvs. local RYOBI pentru a determina dacă se aplică alt tip de garanție.

CENTRU DE SERVICE AUTORIZAT

Pentru a găsi un centru de service autorizat lângă dvs., vizitați <http://en.ryobitools.eu/header/service-and-support/service-agents>.

LV RYOBI® GARANTIJAS PIEMĒROŠANAS NOSACĪJUMI

Papildus jebkādam likumiskajām tiesībām, kuras rodas, veicot pirkumu, izstrādājums tiek nodrošināts ar tālāk tekstā noteikto garantiju.

1. Garantijas periods patērētājiem ir 24 mēneši, tā atskaitē tiek sākta no datuma, kurā veikta izstrādājuma iegāde. Šim datumam jābūt dokumentētām rēķinā vai citā pirkumu apliecināošā dokumentā. Izstrādājums ir radīts un paredzēts tikai patērētāja privātai lietošanai. Saistībā ar iepriekšminēto, garantija netiek nodrošināta profesionālās vai komerciālās lietošanas gadījumā.
2. Pastāv iespēja pagarināt daļas no dārza instrumentu klāsta (Maigstrāvas/akumulatoru) garantiju ilgāk par iepriekš minēto periodu, izmantojot reģistrāciju interneta vietnē www.ryobitools.eu. Instrumenti, kas pakļauti garantijas perioda pagarināšanai, tiek skaidri apzīmēti veikalos un/vai uz iepakojuma un izstrādājumu komplektējošajā dokumentācijā. Gala lietotājam nepieciešams reģistrēt tā iegādātā jauno instrumentu 30 dienu laikā no pirkuma datuma. Gala lietotājs var reģistrēties pagarinātajai garantijai savā mītnes valstī, ja tā minēta tiešsaistes reģistrācijas veidlapā, kurā šī iespēja ir aktīva. Bez tam, gala lietotājam ir jāsniedz piekrišana tiešsaistes ievadīšanai nepieciešamo datu glabāšanai un jāpiekrīt noteikumiem un nosacījumiem. Reģistrācijas apstiprinājums, kas tiek nosūtīts, izmantojot e-pastu, un rēķina oriģināls, kurā norādīts iegādes datums, kalpo kā pagarinātās garantijas apstiprinājums.
3. Garantija attiecas uz visiem izstrādājumu defektiem garantijas periodā, kas saistīti ar ražošanas vai materiālu defektiem no pirkuma datuma. Šī garantija tiek ierobežota ar remontu un/vai nomaiņu un neietver jebkādas citas saistības, tajā skaitā, bet ne tikai, cēloņsakarīgos vai saistītos bojājumus. Garantija nav spēkā, ja izstrādājums ir nepareizi lietots, izmantots pretēji norādēm lietošanas rokasgrāmatā vai bijis nepareizi pieslēgts. Šī garantija netiek attiecināta uz:
 - jebkādiem izstrādājuma bojājumiem, kas radušies nepareizas uzstādīšanas rezultātā
 - jebkuru izstrādājumu, kas ticis pārveidots vai mainīts
 - jebkuru izstrādājumu, kura oriģinālās identifikācijas (preču zīme, sērijas numurs) marķējums ir ticis nodzēsts, mainīts vai noņemts
 - jebkādiem bojājumiem, kuri radušies neveidojot norādes lietošanas rokasgrāmatā
 - jebkādam izstrādājumam bez CE sertifikācijas
 - jebkuram izstrādājumam, kura remontu mēģinājis veikt nekvalificēts personāls vai bez Technonic Industries iekārtas autorizācijas
 - jebkuram izstrādājumam, kurš bijis pieslēgts neatbilstoši parametru (strāvas, sprieguma, frekvences) sprieguma avotam
 - jebkuram izstrādājumam, kurš bijis izmantots ar nepareizi degvielas maisījumu (degviela, eļļa, eļļas procentuālais saturs)
 - jebkuriem bojājumiem, kuri radušies ārējas iedarbības (ķīmiskas, fiziskas, triecieni) vai vielu ietekmē
 - detaļu normāla lietošanas nodiluma rezultātā
 - nepareizas lietošanas vai instrumentu pārslodzes rezultātā
 - neapstiprinātu detaļu vai aprīkojuma lietošanas rezultātā
 - jebkādu periodiskus karburatoru regulēšanas darbus vai apkopes tīrīšanu
 - Komponentus (daļas un aksesuārus), kas pakļauti dabīgām nodilumam, ieskaitot, bet neaprobežojoties ar atsitiena pogām, piedziņas sīksnādi, sajūgjiem, krūmu šķēru un pļaujmašīnu asmeņiem, uzkabēm, droseļu trošlēm, oglekļa sukām, elektrības vadiem, tapām, filca aplākšņiem, sakābes tapām, pūtēja ventilatoriem, pūtēja un sūkšanas caurulēm, savākšanas maisiem un sīksnādi, vadotņu plankām, zaģu ķēdēm, šūtenēm, savienojumu uzgaļiem, izsmidzinātāja uzgaļiem, riteņiem, izsmidzinātāja caurulēm, iekšējām spoļēm, ārējām spoļēm, pļaušanas auklām, aizdedzes svečēm, gaisa filtriem, degvielas filtriem, mulčēšanas asmeņiem, utt.
4. Servisa nodrošināšanai, izstrādājums ir jānodod pilnvarotā RYOBI servisa centrā, kas norādīts katrai valstij tālāk minētajā servisa centru adrešu sarakstā. Dažās valstīs jūsu vietējais RYOBI izplatītājs uzņemas izstrādājuma nosūtīšanu uz RYOBI servisa organizāciju. Nosūtīt izstrādājumu uz RYOBI servisa centru, izstrādājuma jābūt droši iepakotam, tas nedrīkst saturēt bīstamas vielas kā degvielu, sūtiņjam jābūt marķētam ar sūtītāja adresi un īsu kļūmes aprakstu.
5. Remonts/nomaļaņa šīs garantijas ietvaros ir bezmaksas. Tas nerada garantijas perioda pagarināšanu vai jaunu garantiju. Nomainītās daļas vai instrumentu kļūst par mūsu īpašumu. Dažās valstīs piegādes vai pasta izmaksas būs jāapmaksā sūtītājam. Jūsu likumiskās tiesības, kas nodibinās, iegādājoties instrumentu, paliek nemainīgas
6. Šī garantija ir spēkā Eiropas Kopienā, Šveicē, Islandē, Norvēģijā, Līhtenšteinā, Turcijā un Krievijā. Ārpus šīm teritorijām, lūdz, sazinieties ar jūsu pilnvaroto RYOBI izplatītāju, lai noteiktu, vai ir piemērojama cita garantija.

AUTORIZĒTS APKALPOŠANAS CENTRS

Lai atrastu tuvāko autorizēto apkalošanas centru, apmeklējiet <http://en.ryobitools.eu/header/service-and-support/service-agents>.

LT „RYOBI®“ GARANTIJOS TAIKIMO SĄLYGOS

Papildant bet kokias įstatymuose numatytas perkant atsiřandančias teises, šiam įrenginiui taikoma toliau nurodyta garantija.

1. Vartotojams suteikiama 24 mėnesių trukmės garantija nuo įrenginio įsigijimo datos. Ši data turi būti nurodyta sąskaitoje faktūroje ar kitame pirkimą įrodančiame dokumente. Šis įrenginys skirtas tik vartotojų rinkai ir asmeniniam naudojimui. Todėl garantija netaikoma, jei įrenginys naudojamas profesinėms ar komercinėms reikmėms.
2. Įsigijus tam tikrus šio įrenginio (AC/DC), suteikiama galimybė pratęsti garantiją, kad ji galiotų ilgiau, nei nurodyta pirmiau, naudojantis registracija interneto svetainėje www.ryobitools.eu. Ar galima pratęsti įrenginio garantiją laikotarpi, aiškiai nurodoma parduotuvėse ir (arba) ant įrenginio pakutės, ir (arba) įrenginio dokumentuose. Galutinis naudotojas turi užregistruoti savo naujai įsigytą įrenginį per 30 dienų nuo įsigijimo datos. Galutinis naudotojas gali registruotis išplėstinei garantijai savo gyvenamojoje šalyje, jei ji nurodyta internetinėje registracijos formoje, kurioje siūloma tokia galimybė. Be to, galutiniai naudotojai turi sutikti su duomenų, kuriuos reikia įvesti internetu, saugojimu ir svetainės naudojimo sąlygomis. Kaip išplėstinės garantijos įrodymas naudojamas registracijos patvirtinimo kvitas, atsiunčiamas el. paštu, ir originali sąskaita faktūra, kurioje nurodyta įsigijimo data.
3. Ši garantija apima visus garantiniui laikotarpiu aptiktus įrenginio trūkumus, atsiradusius dėl gamybos arba medžiaginių defektų nuo įsigijimo datos. Ši garantija ribojama remontu ir (arba) pakeitimu, ji neapima jokių kitų įsipareigojimų, įskaitant (bet tuo neapsiribojant) šaltinius arba antrinius nuostolius. Garantija anuliuojama, jei įrenginys buvo naudojamas netinkamai, naudojamas ne pagal naudojimo instrukciją arba netinkamai prijungtas. Ši garantija netaikoma:
 - jokiai įrenginiui padarytai žalai, kurią lėmė netinkama techninė priežiūra;
 - jokiai įrenginiui, kuris buvo keičiamas ar modifikuojamas;
 - jokiai įrenginiui, kurio originalūs identifikavimo ženklai (prekės ženklas, serijos numeris) buvo sugadinti, pakeisti arba pašalinti;
 - jokiai žalai, kurią lėmė naudojimo instrukcijos nesilaikymas;
 - jokiais CE ženklų nepažymėtais įrenginiais;
 - jokiai įrenginiui, kuri bandė remontuoti nekvalifikuoti asmenys arba kuris buvo remtuojamas be „Technonic Industries“ leidimo;
 - jokiai įrenginiui, kuris buvo prijungtas prie netinkamo maitinimo tinklo (netinkamos srovės, įtampos, dažnio);
 - jokiai įrenginiui, kuris buvo naudojamas su netinkamu degalų mišiniu (degalai, alyva, maišymo santykis);
 - jokiai žalai, kurią lėmė išorinis poveikis (cheminis, fizinis, smūgiai) arba pašalinės medžiagos;
 - dėvimosiomis dalimis;
 - netinkamam naudojimui, įrenginio perkrovai;
 - nepatvirtintų priedų arba dalių naudojimui;
 - Jokiai reguliariam karburatorių reguliavimui arba priežiūros ir valymo darbams
 - Komponentams (dalims ir priedams), kurie natūraliai dėvėsi, įskaitant (bet tuo neapsiribojant) spyruoklines galvutes, pavarų diržus, sankabą, gyvatvorių genėtuvus ar žoliapjovių geležtes, diržus, trosinį drošelį, anglinius šepetėlius, maitinimo kabelį, virbus, fetro poveržles, prikabinimo kaiščius, pūstuvu ventilatorius, pūstuvu ir siurblio vamzdžius, siurblio maišą ir diržus, kreipiamuosius strypus, pjūklų grandines, žarneles, jungiamąsias detales, purškimo antgalius, ratus, purškimo liestukus, vidines rites, išorines rites, pjovimo vielą, uždegimo žvakės, oro filtrus, dujų filtrus, mulčiavimo geležtes ir pan.
4. Prieikite atlikti priežiūros darbus, įrenginį reikia siųsti arba atvežti RYOBI įgaliotajam priežiūros centrui, nurodytam kiekvienos šalies priežiūros centrų adrešų sąraše. Kai kuriose šalyse vietinis RYOBI atstovas siunčia įrenginį RYOBI priežiūros organizacijai. Siunčiant įrenginį RYOBI priežiūros centrui, reikia saugiai jį supakuoti pašalinant visas pavojingas medžiagas, pvz., benzina, nurodyti ant pakutės siuntėjo adresą ir pridėti trumpą gedimo aprašymą.
5. Pagal šią garantiją remontas / keitimas atliekami nemokamai. Tokie veiksmai netaikomi garantijos pratęsimu arba naujo garantinio laikotarpio pradžia. Dalys arba įrenginiai, kuriuos pakeitėme, tampa mūsų nuosavybe. Kai kuriose šalyse pristatymo ir pašto išlaidas turi padengti siuntėjas. Įstatymuose numatytos jūsų teisės, atsiřandančios perkant įrenginį, lieka nepakeistos
6. Ši garantija galioja Europos bendrijoje, Šveicarijoje, Islandijoje, Norvegijoje, Lichtenšteine, Turkiijoje ir Rusijoje. Jei gyvenate ne šiose šalyse, kreipkitės į įgaliotąjį RYOBI atstovą ir sužinokite, ar jums taikoma kita garantija.

ĮGALIOTOS TECHNINĖS PRIEŽIŪROS CENTRAS

Jei norite surasti įgaliotą techninės priežiūros centrą netoli Jūsų, apsilankykite interneto svetainėje <http://en.ryobitools.eu/header/service-and-support/service-agents>.

ET RYOBI® GARANTIINGIMUSED

Lisaks toote ostust tulenevatele seadusjärgsetele õigustele, kehtib tootele ka alltoodud garantiiga.

1. Tarbijatele on garantiiaeg 24 kuud ja algab sellel kuupäeval, mil toode osteti. Selle kuupäeva tõestuseks on vaja arvet või mõnda teist tõendit ostu sooritamise kohta. Toode on mõeldud etarbijatele ainult isiklikeks kasutamiseks. Seega ei kehti garantiid ostu kasutamisel kutsetegevuses või kaubanduslikel eesmärkidel.
2. Teatud osale (vahelduvvoolu/alalisvoolu) aiatööriistadele on võimalik pikendada eespool toodud garantiiaega, kasutades toote registreerimist veebilehel www.ryobitools.eu. Teave tööriista võimaliku pikendatud garantiiaja kohta on selgelt esile toodud poodides ja/või pakendil / ning see sisaldub toote dokumentatsioonis. Lõpptarbijaja peab registreerima oma uued tööriistad interneti teel 30 päeva jooksul pärast ostupäeva. Lõppkasutaja võib registreerida pikendatud garantiiaja saamise oma elukohariigis, kui veebis olevas registreerimisvormis on see valik lubatud. Lisaks peavad kasutajad andma oma nõusoleku veebis nõutud sisestatavate andmete säilitamiseks ning nad peavad nõustuma tingimustega. E-posti teel saadetav registreerimise kinnitus ja arve originaal, kus on näha ostu sooritamise kuupäev, on pikendatud garantiiaja tõestuseks.
3. Garantiid katab kõik defektid toote garantiiaja jooksul, kui ostu kuupäeval ilmnevad talitus- või materjalivaad. Garantiid piirub toote remondi ja/või väljavahetamisega ning ei sisalda muid kohustusi, muu hulgas ettenägematuid või kaudseid kahjusid. Garantiid ei kehti, kui toodet ei ole kasutatud sihtotstarbelselt või kooskõlas kasutusjuhendiga või see on valesti ühendatud. Garantiid ei kehti järgmistel põhjustel:
 - toode on kahjustatud vale hoolduse tõttu
 - toode on muudetud
 - toote algupäraseid identifitseerimisjärjendusi (kaubamärk, seerianumber) on rikutud, muudetud või eemaldatud
 - kahju on tekkinud kasutusjuhendi mittejärgimisest
 - tootel puudub CE-märgis
 - toode on püüdnud remondida vastavalt kvalifikatsiooni mitte omav isik või ilma firma Techtronic Industries eelneva loata.
 - toode on ühendatud valesse teiteallikasse (voolutugevus, pinge, sagedus)
 - tootega kasutati sobimatut kütusesegu (kütus, õli, õli protsent)
 - välismõjude (keemilised, füüsilised, elektrilöögid) või võõrkehade tekitatud kahju
 - tavapärase kulumine ja katkised varuosad
 - ebaõige kasutamine, tööriista ülekoormamine
 - heakskiitmata tarvikute või osade kasutamine
 - Karburaatorite korralised reguleerimistööd või hooldus- ja puhastustööd
 - Komponentid (osad ja tarvikud), mida iseloomustab kulumine ja vananemine, muu hulgas puutenupud, kiilrihmad, sidur, heklilõikurite või muruniidukite lõiketerad, rakmed, gaasitross, süsinikharjad, toitejuhe, freesiterad, vildist seibid, tihvtid, õhuvventilaatorid, puhuri- ja imuritord, kogumiskott ja riimad, juhikud, saeketid, voolikud, liitmikud, pihusti otsakud, rattad, pritsi varred, sisemised poolid, välimised poolid, jõhvud, süüteküünlad, õhufiltrid, gaasifiltrid, multšimisterad jne.
4. Hoolduseks peab toote saatma või viima RYOBI volitatud teenindusse, mille aadressi leiata järgnevast teeninduspunkti nimekirjast vastava riigi alt. Mõnedes riikides võtab kohalik RYOBI edasimüüja enda kanda kohustuse saata toode RYOBI teenindusorganisatsiooni. Toote saatmisel RYOBI teenindusse peab toode olema ohutult pakitud ja ei tohi sisaldada ohtlikke aineid (nt bensiini), kirjas peab olema saatja aadress ja lisatud vea lühikirjeldus.
5. Garantiid alusel tehtavad remonditööd / asendamine on tasuta. See ei pikenda garantiid kehtivusaega ega tähistu uue garantiiaja algust. Väljavahetatud osad või tööriistad kuuluvad meile. Mõnedes riikides maksab kätetoimetamis- ja postikulud saatja. Teile jäävad kehtima tööriista ostust tulenevad seadusjärgsed õigused
6. See garantiid kehtib Euroopa Ühenduse territooriumil, Šveitsis, Islandil, Norras, Liechtensteinis, Türgis ja Venemaal. Väljaspool neid piirkondi võtke ühendust volitatud RYOBI edasimüüjaga, et teha kindlaks kas kehtib mõni teine garantiid.

VOLITATUD HOOLDUSKESKUS

Oma volitatud hoolduskeskuse leiata veebisaidilt <http://en.ryobitools.eu/header/service-and-support/service-agents>.

HR UVJETI PRIMJENE JAMSTVA TVRTKE RYOBI®

Osim svim zakonskim pravima koja proizlaze iz kupnje, ovaj je proizvod pokriven jamstvom kako je navedeno u nastavku.

1. Jamstveno razdoblje za potrošače traje 24 mjeseca i počinje s datumom na koji je proizvod kupljen. Taj datum mora se dokumentirati računom ili drugim dokazom o kupnji. Proizvod je konstruiran i namijenjen samo za privatnu upotrebu korisnika. Stoga se jamstvo ne daje u slučaju profesionalne ili komercijalne uporabe.
2. Postoji mogućnost da se za dio asortimana vrtnih alata pokretanih izmjeničnom strujom (AC/DC) proizvodi gore navedeno jamstveno razdoblje putem registriranja na mrežnom mjestu www.ryobitools.eu. Uvjeti koje je potrebno zadovoljiti kako bi se produžilo jamstveno razdoblje jasno su istaknuli u prodavaonicama i / ili na pakiranju i / nalaze se unutar dokumentacije proizvoda. Krajnji korisnik mora registrirati svoje novo kupljene alate na mreži u roku od 30 dana od datuma kupnje. Krajnji korisnik može se registrirati za produženo jamstvo u svojoj zemlji boravišta ako se nalazi na popisu u mrežnom obrascu za registraciju gdje je ta opcija važeća. Nadalje, krajnji korisnici moraju dati svoji pristanak na pohranu podataka koji su potrebni za mrežni ulazak i moraju prihvatiti odredbe i uvjete. Potvrda o prijemu registracije, koja se šalje putem e-pošte, kao i originalni račun s vidljivim datumom kupnje poslužat će kao dokaz produženog jamstva.
3. Jamstvo pokriva sve nedostatke proizvoda tijekom jamstvenog razdoblja koji su nastali zbog neispravnosti prilikom izrade ili materijala s datumom kupnje. Jamstvo je ograničeno na popravak i/ili zamjenu i ne obuhvaća nikakve druge obveze, uključujući, ali ne ograničavajući se na slučajne ili posljedične štete. Jamstvo ne vrijedi ako je proizvod bio zlorabljivan, korišten u suprotnosti s priručnikom s uputama ili ako je pogrešno spojen. Ovo jamstvo ne primjenjuje se na:
 - svako oštećenje proizvoda koje je rezultat nepravilnog održavanja
 - svaki proizvod koji je izmijenjen ili modificiran
 - svaki proizvod gdje su originalne identifikacijske oznake (zaštitni znak, serijski broj) izbrisane, zamijenjene ili uklonjene
 - svako oštećenje uzrokovano neprirodžavanjem korisničkog priručnika
 - svaki proizvod koji nije CE
 - svaki proizvod koji je pokušao popraviti ne kvalificirani profesionalac ili bez prethodnog odobrenja od strane Techtronic Industries
 - svaki proizvod priključen na nepravilno napajanje energijom (amperi, napon, frekvencija)
 - Svaki proizvod korišten s neodgovarajućom mješavinom (gorivo, ulje, postotak ulja)
 - svako oštećenje uzrokovano vanjskim utjecajima (kemijsko, fiziko, udar) ili stranim stvarima
 - normalno trošenje i habanje rezervnih dijelova
 - nepravilno korištenje, preopterećenje alata
 - korištenje neodobrenog dodatnog pribora ili dijelova
 - rasplinjača nakon 6 mjeseci, podešavanje rasplinjača nakon 6 mjeseci
 - komponente (dijelovi i dodatni pribor) koji su predmet prirodnog trošenja i habanja, uključujući no ne ograničavajući se na gume za otpuštanje, pogonske remene, spojku, oštrice trimera za grmlje ili kosilicu, kope, sajle gasa, ugljene četke, kabele za napajanje, nožve, podloške, ztkice za zglobnu vezu, ventilatore puhalice, cijevi za ispuhavanje i usisavanje, vakuumske vrećice i trake, vodilice, lance pile, crijeva, priključene elemente, mlaznice za raspršivanje, kotače, koplja za raspršivanje, unutarnje kolote, vanjske kaleme, flaksove, svjećice, filtre za zrak, filtre za plin, oštrice za usitnjavanje itd.
4. Za potrebe servisiranja, proizvod se mora poslati ili odnijeti u ovlaštenu servisnu postaju tvrtke RYOBI navedenu na sljedećem popisu s adresama servisnih postaja u svakoj zemlji. U nekim zemljama, vaš lokalni RYOBI zastupnik obvezuje se da će poslati proizvod u servisnu organizaciju tvrtke RYOBI. Kada se proizvod šalje u neku servisnu postaju tvrtke RYOBI, proizvod se mora sigurno pakirati bez jednog od opasnih sadržaja kao što je benzin, na njemu mora pisati adresa pošiljatelja i mora biti popraćen kratkim opisom kvara.
5. Popravak / zamjena pod ovim jamstvom su besplatni. Oni ne predstavljaju produženje ili novi početak jamstvenog razdoblja. Zamijenjeni dijelovi ili alati postaju naše vlasništvo. U nekim državama troškove isporuke ili poštarnu mora platiti pošiljatelj. Vaša zakonska prava koja proizlaze iz kupnje alata ostaju nepromijenjena
6. Ovo jamstvo vrijedi u Europskoj uniji, Švicarskoj, Islandu, Norveškoj, Lihtenštajnu, Turskoj i Rusiji. Izvan tih područja vas molimo da se obratite svojem ovlaštenom zastupniku tvrtke RYOBI kako biste utvrdili primjenjuje li se drugo jamstvo.

OVLÁŠTENI SERVISNI CENTAR

Za pronalazjenje ovlaštenog servisnog centra pored vas posjetite <http://en.ryobitools.eu/header/service-and-support/service-agents>.

SL POGOJI ZA VELJAVNOST GARANCIJE RYOBI®

Poleg morebitnih zakonsko določenih pravic, ki izvirajo iz nakupa, za ta izdelek velja spodaj navedena garancija.

- Garancijsko obdobje je za potrošnike 24 mesecev in začne teči z dnem nakupa izdelka. Ta datum mora biti dokumentiran z računom ali drugim dokazilom o nakupu. Izdelek je zasnovan in namenjen izključno za potrošniško zasebno uporabo. V primeru strokovne oziroma komercialne uporabe izdelka garancija ne velja.
- Obstaja možnost podaljšanja garancije na del naših ponudbe vrtnih orodij (AC/DC) prek obdobja garancije, opisanega zgoraj, s pomočjo registracije na spletnem mestu www.ryobitools.eu. Ustreznost orodij za podaljšanje garancijskega obdobja je jasno prikazana v trgovinah in/ali na embalaži oziroma je navedena v dokumentaciji izdelka. Končni uporabnik mora registrirati svoje novo orodje na spletu v 30 dneh po datumu nakupa. Končni uporabnik lahko registrira podaljšano garancijo v svoji državi bivanja, če je na obrazcu spletne registracije navedeno, da ta možnost velja za njegovo državo. Poleg tega morajo končni uporabniki podati svoje soglasje za shranjevanje podatkov, ki so potrebni za spletni dostop in morajo sprejeti pogoje in določila uporabe spletnega mesta. Potrdilo o registraciji, ki ga pošljemo prek e-pošte, in originalni račun, ki prikazuje datum nakupa, služita kot dokazilo o podaljšani garanciji.
- Garancija krije vse okvare izdelka, do katerih pride v garancijskem obdobju zaradi napak v izdelavi ali materialu, ki so bile prisotne ob datumu nakupa. Garancija je omejena na popravilo in/ali zamenjavo in ne vključuje nobenih drugih obveznosti, med drugim vključno z naključno ali posledično škodo. Garancija ne velja, če je bil izdelek napakašno uporabljen, uporabljen v nasprotju z navodili iz priročnika za uporabo ali če ni bil pravilno povezan. Ta garancija ne velja za:
 - škodo na izdelku, ki je posledica neustreznega vzdrževanja
 - spremenjen ali prilagojen izdelek
 - izdelek, katerega originalna identifikacijska oznaka (blagovna znamka, serijska številka) je bil poškodovan, spremenjena ali odstranjena
 - škodo, ki je posledica neupoštevanja navodil iz priročnika za uporabo
 - izdelek, ki nima oznake CE
 - izdelek, ki ga je poskušal opraviti ne kvalificiran strokovnjak ali ki je bil popravljen brez predhodne odobritve s strani družbe Techtronic Industries.
 - izdelek, ki je bil povezan na neustrezno napajanje (amperska moč, napetost, frekvenca)
 - izdelek, ki je bil uporabljen z neustrezno mešanico goriva (gorivo, olje, odstotek olja)
 - škodo, ki jo povzročijo zunanji vplivi (kemični, fizični, mehanski) ali tuje snovi
 - rezervne dele, ki so podvrženi običajni uporabi
 - neprimerno uporabo, preobremenitev orodja
 - uporabo neodobrenih dodatkov ali delov
 - Vsako redno prilagajanje ali vzdrževalno čiščenje uplinjačev
 - Komponente (sestavni in rezervni deli), ki so podvrženi običajni obrabi, med drugim vključno z gumbi odbijaca, pogonskimi jermeni, sklopko, rezili obrezovalnikov za žive meje ali kosilnic za trato, nosilnimi pasovi, kabli, dušilnimi ventili, oglikovimi krtačami, napajalnimi kabli, zobci, tesnili iz filca, veznimi zatiči, ventilatorji pihalnika, cevmi pihalnika in sesalnika, vrečko in pasovi sesalnika, vodilnimi palicami, verigami motorne žage, cevmi, priključki, razpršilnimi šobami, kolesi, razpršilnimi palicami, notranjimi kolesci, zunanji motki, rezalnimi vrvmici, vžigalnimi svečkami, zračnimi filtri, plinskimi filtri, rezili za mulčenje itd.
- Za servisiranje morate izdelek poslati ali prinesiti v pooblaščen servisni center družbe RYOBI, ki je naveden za vsako državo in naslednjem seznamu naslovov servisnih centrov. V nekaterih državah se vaš lokalni posrednik družbe RYOBI obveže, da bo poslal izdelek na servis družbe RYOBI. Ko pošiljate izdelek v servisni center družbe RYOBI, mora biti izdelek varno zapakiran in ne sme vsebovati nobenih nevarnih snovi, kot je npr. bencin, opremljen pa mora biti z naslovom pošiljatelja in vsebovati kratek opis napake.
- Popravilo/zamenjava v skladu s to garancijo sta brezplačni storitvi. To pa ne predstavlja podaljšanja ali ponovnega začetka garancijskega obdobja. Zamenjani deli ali orodja postanejo naša last. V nekaterih državah stroške dostave ali poštno plača pošiljatelj. Vaše zakonsko določene pravice, ki izvirajo iz nakupa orodja, ostajajo nespremenjene.
- Ta garancija velja v Evropski skupnosti, Švici, Islandiji, na Norveškem, v Lihtenštajnu, v Turčiji in Rusiji. Izven teh območij se obrnite na svojega pooblaščenega posrednika izdelkov RYOBI, dealer ki vam bo povedal, ali velja kakšna druga garancija.

POOBLAŠČEN SERVISNI CENTER

Pooblaščen servisni center blizu vas poiščite na <http://en.ryobitools.eu/header/service-and-support/service-agents>.

SK ZÁRUČNÉ PODMIENKY RYOBI®

Na tento výrobok sa okrem všetkých zákonných práv, vyplývajúcich z nákupu, vzťahuje záruka v nasledovnom znení.

- Záručná doba pre spotrebiteľa je 24 mesiacov a začína plynúť odo dňa, kedy bol výrobok zakúpený. Tento dátum musí byť doložený faktúrou alebo iným dokladom o zakúpení. Výrobok je navrhnutý a určený pre spotrebiteľov a len na súkromné používanie. Preto sa záruka sa neposkytuje v prípade použitia na profesionálne a komerčné účely.
- V prípade záhradného náradia (na striedavý/jednosmerný prúdu AC/DC), existuje možnosť predĺženia záručnej doby oproti záručnej dobe, uvedenej vyššie, s využitím on-line registrácie na webovej stránke www.ryobitools.eu. Označenie na nárdí o nároku na predĺženie záručnej doby je zreteľne uvedené v obchodoch a/alebo na obale a je uvedené v dokumentácii k výrobku. Koncový používateľ musí zaregistrovať svoje novozískané náradie on-line do 30 dní odo dňa nákupu. Koncový používateľ sa môže zaregistrovať na predĺženie záruky v krajine svojho bydliska, ak je v on-line registračnom formulári uvedená táto možnosť. Ďalej musia koncoví používatelia ešte dať svoj súhlas k uchovávaní údajov, ktoré je potrebné zadať on-line a musia súhlasiť s podmienkami. Potvrdenie o prijatí registrácie, ktorá je zaslaná e-mailom a originálna faktúra, v ktorej je uvedený dátum nákupu, slúžia ako dôkaz o predĺženej záruke.
- Záruka sa vzťahuje na všetky poruchy výrobku v záručnej dobe, spôsobené chybami materiálu alebo spracovania k dátumu nákupu. Táto záruka je omezená na opravu a/alebo výmenu a nezahŕňa žiadne ďalšie povinnosti, vrátane, okrem iných, náhodné alebo následné škody. Táto záruka je neplatná, ak bol výrobok nesprávne používaný, bol používaný v rozpore s návodom na použitie alebo bol nesprávne zapojený. Táto záruka sa nevzťahuje na:
 - akékoľvek poškodenie výrobku, ktoré bolo spôsobené nesprávnou obsluhou
 - akýkoľvek výrobok, ktorý bol zmenený alebo upravený
 - akýkoľvek výrobok, na ktorom bolo poškodené, upravené alebo odstránené identifikačné označenie (ochranná známka, výrobné číslo)
 - akékoľvek škody, spôsobené nedodržaním návodu na obsluhu
 - akýkoľvek výrobok, ktorý neobsahuje označenie CE
 - akýkoľvek výrobok, ktorý sa pokúšal opraviť ne kvalifikovaný odborník alebo bol opravovaný bez predchádzajúceho súhlasu zo strany spoločnosti Techtronic Industries.
 - akýkoľvek výrobok, pripojený k nesprávnemu napájaciemu zdroju (ampéry, napätie, frekvencia)
 - akýkoľvek výrobok, používaný s nesprávnou palivovou zmesou (palivo, olej, percento oleja)
 - akékoľvek poškodenia, spôsobené vonkajšími vplyvmi (chemickými, fyzikálnymi, nárazmi) alebo cudzorodými látkami
 - bežné opotrebovanie náhradných dielov
 - nehodné použitie, preťažovanie nástroja
 - používanie neschváleného príslušenstva a dielov
 - Akékoľvek pravidelné úpravy alebo čistenie karburátorov, vykonávaných vrámi údržby
 - Súčiastky (diely a príslušenstvo), ktoré podliehajú prirodzenému opotrebeniu, okrem iných, otočné gombíky, hňacie remene, spojka, nože na nožnice na živý plot alebo kosačky na trávu, popruhy, lanko škrtiacej klapky, uhľiky, napájaci kábel, radičky, plstené podložky, závesné klince, lopatky fúkačov, trubice vysávača a fúkača, vak do vysávača a popruhy, vodiace lišty, reťazové pily, hadice, spojovacie armatúry, trysky, kolesá, striekacie rúrky, vnútorné cievky, vonkajšie cievky, žacie lanká, zapalovacie sviečky, vzduchové filtre, benzínové filtre, mulčovacie nože atď.
- Na opravu musí byť výrobok odoslaný alebo doručený do autorizovaného servisného strediska RYOBI, uvedeného pre každú krajinu v nasledovnom zozname adries servisných stredísk. V niektorých krajinách miestny zástupca RYOBI preberá na seba záväzok zaslať tovar do servisnej organizácii RYOBI. Pri odosielaní výrobku do servisného strediska RYOBI je potrebné výrobok bezpečne zabaliť bez akéhokoľvek nebezpečného obsahu, ako je benzín, s vyznačením adresy odosiadateľa, s krátkym popisom poruchy.
- Oprava/výmena je vrámi tejto záruky bezplatná. Neznamená to predĺženie záruky alebo spustenie novej záručnej doby. Vymenené diely alebo nástroje sa stávajú našim vlastníctvom. V niektorých krajinách náklady na odoslanie alebo poštné musí zaplatiť odosiadateľ. Vaše zákonné práva, vyplývajúce z nákupu náradia, zostávajú nedotknuté
- Táto záruka platí v Európskej únii, Švajčiarsku, Islande, Nórsku, Lihtenštajnsku, Turesku a Rusku. Ak sa nachádzate mimo týchto oblastí, obráťte sa na autorizovaného predajcu RYOBI na určenie, či sa dá uplatniť iná záruka.

AUTORIZOVANÉ SERVISNÉ CENTRUM

Ak chcete nájsť najbližšie autorizované servisné centrum, navštívte stránku <http://en.ryobitools.eu/header/service-and-support/service-agents>.

BG УСЛОВИЯ ЗА ВАЛИДНОСТ НА ГАРАНЦИЯТА НА RYOBI®

В допълнение към законоустановените права, произтичащи от покупката, този продукт е обхванат от гаранция, както е изложено по-долу.

- Гаранционният срок е 24 месеца за клиенти и започва да тече от деня на закупуване на продукта. Тази дата трябва да се докаже с фактура или друго доказателство за покупка. Продуктът е изработен и предназначен само за потребителска и лична употреба. Следователно не се дава гаранция в случай на използване от професионалисти или с търговска цел.
 - Съществува възможност за удължаване на гаранционния срок за част от диалогана на гаранцията на градински инструменти (AC/DC) след изтичането на описания тук чрез регистрация на уеб сайта www.ryobitools.eu. В магазините и/или на опаковката или вътре в документацията на продукта е показано ясно дали инструментът отговаря на условията за такова удължаване на гаранционния срок. Крайният потребител трябва да регистрира своите новопридобити инструменти онлайн в рамките на 30 дни от датата на покупка. Крайният потребител може да се регистрира за удължена гаранция в държавата си на пребиваване, ако е посочена във формуляра за онлайн регистрация като място, където тази опция е валидна. Освен това крайните потребители трябва да дадат съгласието си за съхранение на данните, които са задължителни за ползване онлайн, и трябва да приемат общите условия. Полученото потвърждение за регистрация, изпратено по електронна поща, и оригиналната фактура, показваща датата на покупка, ще служат като доказателство за удължената гаранция.
 - Гаранцията покрива всички дефекти на продукта по време на гаранционния срок, които се дължат на проблеми в изработката или материалите към момента на покупката. Гаранцията е ограничена до ремонт и/или замяна и не включва други задължения, включително, но не само, случайни или косвени щети. Гаранцията е невалидна, ако продуктът е използван неправилно или в противоречие с ръководството с инструкции, както и ако е свързан неправилно. Тази гаранция не важи за:
 - щети по продукта в резултат на неправилна профилактика
 - продукти, които са били изменени или модифицирани
 - продукт, при който оригиналните маркировки за идентификация (търговска марка, сериен номер) са изтрити, променени или премахнати
 - повреда, причинена от неспазване на ръководството с инструкции
 - продукт без CE маркировка
 - продукт, за който е направен опит за ремонт от невалифициран специалист или без предварително разрешение от Techtronic Industries.
 - продукт, свързан към неподходящо електросъхранение (ампераж, волтаж, честота)
 - продукт, използван с неподходяща горивна смес (гориво, масло, процент масло)
 - щети, причинени от външни влияния (химични, физични, удари) или чужди вещества
 - нормално износване на резервни част
 - неподходяща употреба, претоварване на инструмента
 - използване на неодобриени аксесоари или части– Всякакви периодични настройки или почистване с цел извършване на поддръжка на карбуратори
 - Компоненти (част и аксесоари), подложени на естествено износване, включително, но не само, копчета за тласкане, задвижващи ремъци, съединители, остриета на ножици за жив плет или косачки за трева, пресрамаки, кабелен дросел, карбонови четки, ذخарнавац кабел, остриета, филцови шабви, осигурителни шифтове, вентилатори на уреди за обдухване, тръби за обдухване и всмукване, торба за отпадъци и ремъци, водещи шини, вериги за триони, маркучи, фитинги на конектори, дюзи, копела, пръскалки, вътрешни и външни макири, режещо влакно, запалителни свещи, въздушни филтри, горивни филтри, остриета за мулчиране и др.
- За обслужване продуктът трябва да се изпрати или занесе на оторизиран сервиз на RYOBI, посочен за всяка държава в следния списък с адреси на сервиси. В някои държави местният търговец на RYOBI поема отговорността да изпрати продукта до сервизен център на RYOBI. При изпращане на продукт до сервиз на RYOBI той трябва да е опакован безопасно без опасност съдържание, напр. бензин, да е маркиран с адреса на подателя и придружен от кратко описание на повредата.
 - Ремонтът/замяната по силата на тази гаранция са безплатни. Те не водят до удължаване или подновяване на гаранционния срок. Сменените части или инструменти стават наша собственост. В някои държави таксите за доставка или изпращане трябва да се платят от подателя. Законоустановените ви права, произтичащи от закупуването на инструмента, остават незасегнати
 - Ремонтът/замяната е валидна в Европейската общност, Швейцария, Исландия, Норвегия, Лихтенщайн, Турция и Русия. Извън тези области се свържете с упълномощения търговец на RYOBI, за да се установи дали е приложима друга гаранция.

УПЪЛНОМОЩЕН СЕРВИЗЕН ЦЕНТЪР

За да намерите упълномощен сервизен център близо до вас, посетете <http://en.ryobitools.eu/header/service-and-support/service-agents>.

UK ГАРАНТИЙНИ УМОВИ ДЛЯ RYOBI®

Окрім загалом установлених законом прав, що стосуються покупки, цей пристрій покривається гарантією, що зазначено нижче.

- Гарантійний період для споживачів складає 24 місяці і починається з моменту придбання цього пристрою. Ця дата повинна бути задокументована у гарантійному талоні або чеку, що підтверджує покупку. Цей пристрій був розроблений і призначений тільки для споживчого та приватного використання. У разі професійного або комерційного використання цього пристрою, він втрачає гарантію.
 - Існує можливість продовжити гарантійний період, понад період описаний вище, для частини лінійки садових інструментів (перемінного/ постійного струму) за допомогою реєстрації на сайті www.ryobitools.eu. Пристрої, які мають право на подовження гарантійного періоду, мають чіткі позначки щодо цього в магазинах і / або на упаковок / та документатії до пристрою. Кінцевий користувач повинен зареєструвати його/її новопридбаний пристрій онлайн протягом 30 днів з дати покупки. Кінцевий користувач може зареєструватися для подовження гарантійного періоду в своїй країні постійного перебування, якщо вона є доступною у відповідній опції онлайн форми реєстрації. Крім того, кінцеві користувачі повинні дати свою згоду на зберігання даних, які необхідні для введення онлайн, а також вони повинні прийняти правила та умови. Отримання підтвердження реєстрації, яке відправляється на адресу електронної пошти, та оригінал гарантійного талона із зазначеною датою покупки буде слугувати доказом подовженої гарантії.
 - Гарантія поширюється на всі дефекти пристрою протягом гарантійного терміну щодо недотримання стандартів виробництва або матеріалів на дату придбання. Гарантія обмежується ремонтом та/або заміною, та не включає в себе будь-яких інших зобов'язань, в тому числі, але необмежена у разі випадкових та подальших пошкоджень. Гарантія не діє, якщо пристрій використовувався неналежним чином, всупереч інструкції з експлуатації або був неправильно підключений до мережі. Дана гарантія не поширюється на:
 - пристрої, що були пошкоджені у результаті неправильного технічного обслуговування;
 - пристрої, що були видозмінені або модифіковані;
 - пристрої, оригінальні ідентифікаційне (товарний знак, серійний номер) маркування яких було пошкоджене, змінене або видалено;
 - будь-які пошкодження, заподіяні недотриманням інструкції з експлуатації;
 - пристрої, що не мають маркування CE;
 - пристрої, що були відремонтовані невалідованим фахівцем або за відсутності попереднього дозволу від Techtronic Industries;
 - пристрої, підключені до невідповідного джерела живлення (сила току, напруження, частота);
 - пристрої, що використовувались із невідповідною паливною сумішшю (паливом, оливою, відсотковою часткою оливи);
 - будь-які пошкодження спричинені зовнішнім впливом (хімічними, фізичним, стрибком напруги) або сторонніми речовинами;
 - нормальну амортизацію запасних частин;
 - невідповідне використання, перевантаження пристрою;
 - використання не підтверджених запасних частин або аксесуарів;
 - Будь-які періодичні коригування або технічне очищення карбураторів– Компоненти (частини та аксесуари) з урахуванням нормального зношування, враховуючи але без обмеження на імпульсні кнопки, реміні приводу, зчеплення, леза куцоріза або газонокосарки, реміні, триси дротельного клапану, вугільні щітки, шнури живлення, зубці, фетрові підкладки, зчіпні штирі, вентилятори повітрорудки, трубки пилососа та повітрорудки, вакуумні мішки та накладки, напрямні, панцюги, гнучкі шланги, з'єднувальні фітинги, розпилювальні насадки, колеса, жорсткі сопла, внутрішні котушки, зовнішні золотники, ріжучу волосінку, свічки запалення, повітряні фільтри, протигазові фільтри, мультувальні леза, т.д.
- Для обслуговування, пристрій має бути відремонтований або поданий до одного з авторизованих сервісних центрів RYOBI, які перелічені для кожної країни у наступному переліку адрес сервісних центрів. У деяких країнах місцевий дилер RYOBI зобов'язується відправити пристрій до сервісного центру RYOBI. При відправленні пристрою до сервісного центру RYOBI, пристрій має бути надійно упакуваний для будь-якого безбезпечного вмісту, наприклад бензину, з позначеною адресою відправника та супроводжуватися коротким описом несправності.
 - Ремонт / заміна відповідно до цієї гарантії здійснюється безкоштовно. Це не є основою для подовження або початку нового гарантійного періоду. Замінені частини або прилади переходять до власності компанії. У деяких країнах вартість доставки або поштові витрати повинні бути сплачені відправником. Загально встановлені права покупки на пристрій залишаються незмінними
 - Ця гарантія діє в Європейському Союзі, Швейцарії, Ісландії, Норвегії, Лихтенштейні, Туреччині та Росії. За межами цих зон, будь ласка, зверніться до офіційного дилера RYOBI, щоб визначити, чи застосовується інша гарантія.

АВТОРИЗОВАНІ СЕРВІСНІ ЦЕНТРИ

Для отримання оновленого переліку авторизованих сервісних центрів, відвідайте <http://en.ryobitools.eu/header/service-and-support/service-agents>.

TR RYOBI® GARANTİ UYGULAMA KOŞULLARI

Alımdan kaynaklanan yasal haklara ek olarak, ürün aşağıda belirtilen garanti kapsamındadır.

1. Tüketiciler için 24 ay olan garanti süresi, ürünün satın alındığı tarihte başlar. Bu tarihin bir fatura ya da alım kantıtyla belgelenmesi gerekir. Ürün sadece tüketim ve özel kullanım için geliştirilmiş ve adanmıştır. Bu nedenle, profesyonel ya da ticari kullanım halinde garanti kapsamı sağlanmaz.
2. Bahçe aletlerinin bir bölümü (AC/DC) için www.ryobitools.eu sayfasındaki kayıt işlemini kullanarak garantinin belirtilen süresinin ötesine uzatma imkanı mevcuttur. Aletlerin garanti süresinin uzatılmasına uygun olup olmadığı mağazalarda ve / veya ambalajda açıkça belirtilmiş olup, ürün dokümantasyonunda gösterilir. Son kullanıcının yeni aldığı aletleri satın alma tarihini izleyen 30 gün içinde kaydettirmesi gerekir. Son kullanıcı ikamet ettiği ülkede, bu seçeneğin geçerli olduğu çevrimiçi kayıt formunda belirtilmişse, uzatılmış garanti süresi için kayıt yaptırabilir. Dahası, son kullanıcıların çevrimiçi giriş için gerekli verilerin kaydedilmesine izin vermesi ve hüküm ve koşulları kabul etmelidir. E-posta ile gönderilen kayıt teyit makbuzu ve alım tarihini gösteren orijinal fatura uzatılmış garantinin kanıtı olarak değerlendirilir.
3. Garanti, ürünün alım tarihindeki işçilik ve malzeme kusurları nedeniyle garanti süresi içinde oluşacak bütün arızalarını kapsar. Bu garanti onarım ve değiştirmeyle sınırlı olup, tesadüfi ya da dolaylı hasarlar da dahil, ancak bunlarla kısıtlı olmayan başka hiçbir taahhüdü kapsamaz. Garanti, ürünün kötü, kullanıcı kılavuzuna aykırı kullanılmış ya da yanlış bağlanmış olması halinde geçerli değildir. Bu garanti aşağıdakileri kapsamaz:
 - üründen, yanlış bakımdan kaynaklanan herhangi bir hasar
 - değiştirilmiş ya da modifiye edilmiş herhangi bir ürün
 - orijinal tanıtmış işaretleri (ticari marka, seri numarası) silinmiş, değiştirilmiş ya da kaldırılmış herhangi bir ürün
 - kullanma kılavuzuna uymamaktan kaynaklanmış herhangi bir hasar
 - herhangi bir AT dışı ürün
 - kalifiye olmamış personel tarafından ya da önceden Techtronic Industries onayı alınmadan onarılmış herhangi bir ürün.
 - uygunsuz güç kaynağına (amper, voltaj, frekans) bağlanmış herhangi bir ürün
 - uygunsuz bir yakıt karışımıyla (yakıt, yağ, yap yüzdesi) kullanılmış herhangi bir ürün
 - harici etkenlerden (kimyasal, fiziksel, darbe) veya yabancı cisimlerden kaynaklanan her türlü hasar
 - normal aşınır ve yıpranır aksam
 - uygunsuz kullanım, aletin aşırı yüklenmesi
 - onaysız aksesuar veya parça kullanımı
 - Karbüratörlere uygulanacak her türlü periyodik ayar, bakım veya temizlik
 - Darbe Düğmeleri, Tahrik Kayışları, Kavrama, Çit Budama ya da Çim Bıçma Makinelerinin Bıçakları, Kayış Koşumlar, Kablo Gaz, Kömür Fırçalar, Güç Kablo, Dişler, Keçe Rondelalar, Bağlantı Pimleri, Üfleyci Pervaneleri, Üfleyci ve Vakum Boruları, Vakum Torbası ve Kayışları, Kılavuz Çubuklar, Zincir Testere, Hortumlar, Konektör bağlantıları, Püskürtme Memeleri, Çarklar, Püskürtme Çubukları, Dahili Makaralar, Harici Makaralar, Kesme Telleri, Bujiler, Hava Filtreleri, Gaz Filtreleri, Malçlama Bıçakları vb. gibi parçaları kapsayan, ancak bunlarla sınırlı olmayan, aşınma ve yıpranmaya tabi bileşenler (aksam ve aksesuarlar).
4. Ürünün servis için her ülkede aşağıdaki servis istasyonları adres listesinde yer alan yetkili bir RYOBI servis istasyonuna gönderilmesi ya götürülmesi gereklidir. Bazı ülkelerde, yerel RYOBI distribütörünüz ürünü RYOBI servis teşkilatına göndermeyi üstlenir. Bir ürün bir RYOBI servis istasyonuna gönderilirken, ürünün güvenli bir biçimde ambalajlanması, benzin gibi tehlikeli maddeler içermemesi, gönderenin adresini taşıması ve arızanın kısa bir açıklamasını içermesi gerekir.
5. Bu garanti kapsamında yapılacak onarım / değişiklik ücretsizdir. Garanti süresinin uzatılması ya da yeniden başlatılması anlamına gelmez. Değiştirilmiş parçalar veya aletler bize ait olur. Bazı ülkelerde teslimat ücretleri veya posta giderlerinin gönderici tarafından ödenmesi gerekir. Alımdan kaynaklanan yasal haklarınız etkilenmez.
6. Bu Garanti Avrupa Topluluğu, İsviçre, İzlanda, Norveç, Liechtenstein, Türkiye ve Rusya'da geçerlidir. Bu alanların dışında, başka bir garantinin geçerli olup olmadığını belirlemek için lütfen yetkili RYOBI distribütörünüzle iletişime geçin.

YETKİLİ SERVİS MERKEZİ

En yakın yetkili servis merkezini öğrenmek için <http://en.ryobitools.eu/header/service-and-support/service-agents> sitesine girin.

EN DECLARATION OF CONFORMITY

Techtronic Industries GmbH
Max-Eyth-Straße 10, 71364 Winnenden, Germany

Herewith we declare that the product

Cordless Blower/Vacuum
Brand: RYOBI
Model number: OBV18
Serial number range: 46249701000001 - 46249701999999

is in conformity with the following European Directives and harmonised standards
2006/42/EC, 2014/30/EU, 2000/14/EC, 2005/88/EC, 2011/65/EU,
EN 60335-1:2012+A11:2014, EN 50636-2-100:2014, EN ISO 12100:2010,
EN 55014-1:2016+A1:2009+A2:2011, EN 55014-2:2015, EN ISO 3744:2010,
EN 50581:2012

Measured sound power level: 97,4 dB(A)
Guaranteed sound power level: 99 dB(A)
Conformity assessment method to Annex V Directive 2000/14/EC amended by 2005/88/EC.

Andrew John Eyre (BEng, CEng, MIET)
Vice President, Regulatory & Safety
Winnenden, Sept. 30, 2017

Authorised to compile the technical file:
Alexander Krug, Managing Director
Techtronic Industries GmbH
Max-Eyth-Straße 10, 71364 Winnenden, Germany

CE

DE KONFORMITÄTSERKLÄRUNG

Techtronic Industries GmbH
Max-Eyth-Straße 10, 71364 Winnenden, Germany

Hiermit erklären wir, dass die Produkte

Akku-Blasgerät/Sauggerät
Marke: RYOBI
Modellnummer: OBV18
Seriennummernbereich: 46249701000001 - 46249701999999

mit den folgenden europäischen Richtlinien und harmonisierten Normen entspricht
2006/42/EC, 2014/30/EU, 2000/14/EC, 2005/88/EC, 2011/65/EU,
EN 60335-1:2012+A11:2014, EN 50636-2-100:2014, EN ISO 12100:2010,
EN 55014-1:2016+A1:2009+A2:2011, EN 55014-2:2015, EN ISO 3744:2010,
EN 50581:2012

Gemessener Schalleistungspegel: 97,4 dB(A)
Garantierter Schalleistungspegel: 99 dB(A)
Konformitätsbeurteilungsmethode zu Anhang V Richtlinie 2000/14/EC wie durch 2005/88/EC.

Andrew John Eyre (BEng, CEng, MIET)
Vizepräsident, Vorschriften und Sicherheit
Winnenden, Sept. 30, 2017

Autorisiert die technische Datei zu erstellen:
Alexander Krug, Geschäftsführer
Techtronic Industries GmbH
Max-Eyth-Straße 10, 71364 Winnenden, Germany

CE

FR DÉCLARATION DE CONFORMITÉ

Techtronic Industries GmbH
Max-Eyth-Straße 10, 71364 Winnenden, Germany

Déclarons par la présente que le produit

Souffleur/Aspirateur Sans-fil
Marque: RYOBI
Numéro de modèle: OBV18
Étendue des numéros de série: 46249701000001 - 46249701999999

est conforme aux Directives Européennes et Normes Harmonisées suivantes
2006/42/EC, 2014/30/EU, 2000/14/EC, 2005/88/EC, 2011/65/EU,
EN 60335-1:2012+A11:2014, EN 50636-2-100:2014, EN ISO 12100:2010,
EN 55014-1:2016+A1:2009+A2:2011, EN 55014-2:2015, EN ISO 3744:2010,
EN 50581:2012

Niveau de puissance sonore mesuré: 97,4 dB(A)
Niveau de puissance sonore garanti: 99 dB(A)
Méthode d'évaluation de conformité de l'annexe V Directive 2000/14/EC modifiée 2005/88/EC.

Andrew John Eyre (BEng, CEng, MIET)
Vice-Président, Réglementation & Sécurité
Winnenden, Sept. 30, 2017

Autorisé à rédiger le dossier technique:
Alexander Krug, Directeur Général
Techtronic Industries GmbH
Max-Eyth-Straße 10, 71364 Winnenden, Germany

CE

ES DECLARACIÓN DE CONFORMIDAD

Techtronic Industries GmbH
Max-Eyth-Straße 10, 71364 Winnenden, Germany

Por la presente declaramos que los productos

Soplador/aspirador inalámbrico
Marca: RYOBI
Número de modelo: OBV18
Intervalo del número de serie: 46249701000001 - 46249701999999

se encuentra en conformidad con las siguientes Directivas Europeas y normas armonizadas
2006/42/EC, 2014/30/EU, 2000/14/EC, 2005/88/EC, 2011/65/EU,
EN 60335-1:2012+A11:2014, EN 50636-2-100:2014, EN ISO 12100:2010,
EN 55014-1:2016+A1:2009+A2:2011, EN 55014-2:2015, EN ISO 3744:2010,
EN 50581:2012

Nivel de potencia acústica medida: 97,4 dB(A)
Nivel de potencia acústica garantizado: 99 dB(A)
Método de evaluación de conformidad con el anexo V Directiva 2000/14/EC modificada por la 2005/88/EC.

Andrew John Eyre (BEng, CEng, MIET)
Vicepresidente, Director General de Normativa y Seguridad
Winnenden, Sept. 30, 2017

Autorizado para elaborar la ficha técnica:
Alexander Krug, Administrador Ejecutivo
Techtronic Industries GmbH
Max-Eyth-Straße 10, 71364 Winnenden, Germany

CE



IT DICHIARAZIONE DI CONFORMITÀ

Techtronic Industries GmbH
Max-Eyth-Straße 10, 71364 Winnenden, Germany

Si dichiara con la presente che il prodotto

Aspiratore/soffiatore senza filo
Marca: RYOBI
Numero modello: OBV18
Gamma numero seriale: 46249701000001 - 46249701999999

è conforme alle seguenti Direttive Europee e ai seguenti standard armonizzati
2006/42/EC, 2014/30/EU, 2000/14/EC, 2005/88/EC, 2011/65/EU,
EN 60335-1:2012+A11:2014, EN 50636-2-100:2014, EN ISO 12100:2010,
EN 55014-1:2016+A1:2009+A2:2011, EN 55014-2:2015, EN ISO 3744:2010,
EN 50581:2012

Livello di potenza acustica misurato: 97,4 dB(A)

Livello di potenza sonora garantita: 99 dB(A)

Metodo di valutazione sulla conformità all'allegato V Direttiva 2000/14/EC modificata con la 2005/88/EC.

Andrew John Eyre (BEng, CEng, MIET)
Vice-Presidente, Dipartimento Regolazioni & Sicurezza
Winnenden, Sept. 30, 2017

Autorizzato per compilare il file tecnico:
Alexander Krug, Direttore Amministrativo
Techtronic Industries GmbH
Max-Eyth-Straße 10, 71364 Winnenden, Germany

PT DECLARAÇÃO DE CONFORMIDADE

Techtronic Industries GmbH
Max-Eyth-Straße 10, 71364 Winnenden, Germany

Pelo presente declaramos que os produtos

Aspirador/Ventilador sem fios
Marca: RYOBI
Número do modelo: OBV18
Intervalo do número de série: 46249701000001 - 46249701999999

se encontra em conformidade com as seguintes Directivas Europeias e normas harmozizadas

2006/42/EC, 2014/30/EU, 2000/14/EC, 2005/88/EC, 2011/65/EU,
EN 60335-1:2012+A11:2014, EN 50636-2-100:2014, EN ISO 12100:2010,
EN 55014-1:2016+A1:2009+A2:2011, EN 55014-2:2015, EN ISO 3744:2010,
EN 50581:2012

Nível de potência sonora medido: 97,4 dB(A)

Nível de potência sonora garantido: 99 dB(A)

Método de avaliação de conformidade para o anexo V Diretiva 2000/14/EC alterada por 2005/88/EC.

Andrew John Eyre (BEng, CEng, MIET)
Vice-Presidente, Regulamentação & Segurança
Winnenden, Sept. 30, 2017

Autorizado para compilar o ficheiro técnico:
Alexander Krug, Administrador Executivo
Techtronic Industries GmbH
Max-Eyth-Straße 10, 71364 Winnenden, Germany

NL CONFORMITEITSVERKLARING

Techtronic Industries GmbH
Max-Eyth-Straße 10, 71364 Winnenden, Germany

Hierbij verklaren wij dat het product

Snoerloze blazer/zuiger
Merk: RYOBI
Modelnummer: OBV18
Serienummerbereik: 46249701000001 - 46249701999999

is in overeenstemming met de volgende Europese Richtlijnen en geharmoniseerde normen

2006/42/EC, 2014/30/EU, 2000/14/EC, 2005/88/EC, 2011/65/EU,
EN 60335-1:2012+A11:2014, EN 50636-2-100:2014, EN ISO 12100:2010,
EN 55014-1:2016+A1:2009+A2:2011, EN 55014-2:2015, EN ISO 3744:2010,
EN 50581:2012

Gemeten geluidsniveau: 97,4 dB(A)

Gegarandeerd geluidsniveau: 99 dB(A)

Evaluatiemethode conformiteit volgens bijlage V Richtlijn 2000/14/EC gewijzigd door 2005/88/EC.

Andrew John Eyre (BEng, CEng, MIET)
Vice-president, Regelgeving en Veiligheid
Winnenden, Sept. 30, 2017

Afgevaardigde voor het samenstellen van de technische fiche:

Alexander Krug, Directeur
Techtronic Industries GmbH
Max-Eyth-Straße 10, 71364 Winnenden, Germany

DA OVERENSSTEMMELSESERKLÆRING

Techtronic Industries GmbH
Max-Eyth-Straße 10, 71364 Winnenden, Germany

Vi erklærer hermed, at produktet

Ledningsfri blæser/suger
Brand: RYOBI
Modelnummer: OBV18
Serienummerområde: 46249701000001 - 46249701999999

er i overensstemmelse med følgende EU-direktiver og harmoniserede standarder

2006/42/EC, 2014/30/EU, 2000/14/EC, 2005/88/EC, 2011/65/EU,
EN 60335-1:2012+A11:2014, EN 50636-2-100:2014, EN ISO 12100:2010,
EN 55014-1:2016+A1:2009+A2:2011, EN 55014-2:2015, EN ISO 3744:2010,
EN 50581:2012

Målt støjniveau: 97,4 dB(A)

Garanteret støjniveau: 99 dB(A)

Overensstemmelsesvurderingsmetode til bilag V Direktiv 2000/14/EC ændret ved 2005/88/EC.

Andrew John Eyre (BEng, CEng, MIET)
Vicepræsident, Regler og Sikkerhed
Winnenden, Sept. 30, 2017

Bemyndiget til at udarbejde det tekniske kartotek:
Alexander Krug, Administrerende Direktør
Techtronic Industries GmbH
Max-Eyth-Straße 10, 71364 Winnenden, Germany





SV KONFORMITETSDEKLARATION

Techtronic Industries GmbH
Max-Eyth-Straße 10, 71364 Winnenden, Germany

Härmed deklarerar vi att produkterna

Sladdfri blåsare/sugare
Märke: RYOBI
Modellnummer: OBV18
Serienummerintervall: 46249701000001 - 46249701999999

är i enlighet med följande EU-direktiv och harmoniserade standarder
2006/42/EC, 2014/30/EU, 2000/14/EC, 2005/88/EC, 2011/65/EU,
EN 60335-1:2012+A11:2014, EN 50636-2-100:2014, EN ISO 12100:2010,
EN 55014-1:2016+A1:2009+A2:2011, EN 55014-2:2015, EN ISO 3744:2010,
EN 50581:2012

Uppmätt ljudeffektnivå: 97,4 dB(A)
Garanterad ljudeffektnivå: 99 dB(A)
Konformitetsbedömning gjord enligt metod i V Direktiv 2000/14/EC samt tilläggen
i 2005/88/EC.

Andrew John Eyre (BEng, CEng, MIET)
Vice President, Regelverk och Säkerhet
Winnenden, Sept. 30, 2017

Godkänd att sammanställa den tekniska filen:
Alexander Krug, VD
Techtronic Industries GmbH
Max-Eyth-Straße 10, 71364 Winnenden, Germany

NO SAMSVARERKLÆRING

Techtronic Industries GmbH
Max-Eyth-Straße 10, 71364 Winnenden, Germany

Herved erklærer vi at produktet

Batteridrevet blåser/suger
Märke: RYOBI
Modellnummer: OBV18
Serienummerserie: 46249701000001 - 46249701999999

er i samsvar med følgende europeiske direktiver og harmoniserte standarder
2006/42/EC, 2014/30/EU, 2000/14/EC, 2005/88/EC, 2011/65/EU,
EN 60335-1:2012+A11:2014, EN 50636-2-100:2014, EN ISO 12100:2010,
EN 55014-1:2016+A1:2009+A2:2011, EN 55014-2:2015, EN ISO 3744:2010,
EN 50581:2012

Målt lydteffektivitet: 97,4 dB(A)
Garantert lydteffektivitet: 99 dB(A)
Metode for vurdering av konformitet til Tillegg V Direktiv 2000/14/EC endret ved
2005/88/EC.

Andrew John Eyre (BEng, CEng, MIET)
Visepresident, Forskrifter og Sikkerhet
Winnenden, Sept. 30, 2017

Autorisert til å sette sammen den tekniske filen:
Alexander Krug, Administrerende Direktør
Techtronic Industries GmbH
Max-Eyth-Straße 10, 71364 Winnenden, Germany

FI SÄÄNNÖSTEN NOUDATTAMINEN

Techtronic Industries GmbH
Max-Eyth-Straße 10, 71364 Winnenden, Germany

Ilmoitamme täten, että tuotteet

Langaton puhallin/muri
Tuotemerkki: RYOBI
Mallinumero: OBV18
Sarjanumerosalue: 46249701000001 - 46249701999999

noudattaa seuraavia EU-direktiivejä ja harmonoituja standardeja
2006/42/EC, 2014/30/EU, 2000/14/EC, 2005/88/EC, 2011/65/EU,
EN 60335-1:2012+A11:2014, EN 50636-2-100:2014, EN ISO 12100:2010,
EN 55014-1:2016+A1:2009+A2:2011, EN 55014-2:2015, EN ISO 3744:2010,
EN 50581:2012

Mitattu äänenteho: 97,4 dB(A)
Taattu äänenteho: 99 dB(A)
Säännösten noudattaminen tarkastettu direktiivin 2000/14/EC liitteen V mukaisesti
muunnettu direktiivillä 2005/88/EC.

Andrew John Eyre (BEng, CEng, MIET)
Varatoimitusjohtaja, Säästöstenmukaisuus ja Turvallisuus
Winnenden, Sept. 30, 2017

Valtuutettu kokoamaan tekninen tiedosto:
Alexander Krug, Toimitusjohtaja
Techtronic Industries GmbH
Max-Eyth-Straße 10, 71364 Winnenden, Germany

RU ЗАЯВЛЕНИЕ О СООТВЕТСТВИИ ТРЕБОВАНИЯМ

Techtronic Industries GmbH
Max-Eyth-Straße 10, 71364 Winnenden, Germany

Настоящим мы заявляем, что данный продукт

Беспроводная воздуходувка/пылесос
Марка: RYOBI
Номер модели: OBV18
Диапазон заводских номеров: 46249701000001 - 46249701999999

соответствует требованиям следующих Директив ЕС и согласованных
стандартов
2006/42/EC, 2014/30/EU, 2000/14/EC, 2005/88/EC, 2011/65/EU,
EN 60335-1:2012+A11:2014, EN 50636-2-100:2014, EN ISO 12100:2010,
EN 55014-1:2016+A1:2009+A2:2011, EN 55014-2:2015, EN ISO 3744:2010,
EN 50581:2012

Измеренный уровень звуковой мощности: 97,4 dB(A)
Гарантируемый уровень звуковой мощности: 99 dB(A)
Способ оценки соответствия, приложение V к директиве 2000/14/EC с
изменениями 2005/88/EC.

Andrew John Eyre (BEng, CEng, MIET)
Вице-Президент По Технике Безопасности И Стандартам
Winnenden, Sept. 30, 2017

Лицо, ответственное за подготовку технической документации:
Alexander Krug, Директор
Techtronic Industries GmbH
Max-Eyth-Straße 10, 71364 Winnenden, Germany



PL DEKLARACJA ZGODNOŚCI

Techtronic Industries GmbH
Max-Eyth-Straße 10, 71364 Winnenden, Germany

Niniejszym deklarujemy, że produkty
Bezprzewodowa dmuchawa/odkurzacz
Marka: RYOBI
Numer modelu: OBV18
Zakres numerów seryjnych: 46249701000001 - 46249701999999

jest zgodny z następującymi dyrektywami europejskimi i zharmonizowanymi normami

2006/42/EC, 2014/30/EU, 2000/14/EC, 2005/88/EC, 2011/65/EU,
EN 60335-1:2012+A11:2014, EN 50636-2-100:2014, EN ISO 12100:2010,
EN 55014-1:2016+A1:2009+A2:2011, EN 55014-2:2015, EN ISO 3744:2010,
EN 50581:2012

Zmierzony poziom natężenia hałasu: 97,4 dB(A)
Maksymalny poziom natężenia hałasu: 99 dB(A)
Metoda ocena zgodności zgodnie z aneksem V Dyrektywa 2000/14/EC zmieniona przez dyrektywę 2005/88/EC.

Andrew John Eyre (BEng, CEng, MIET)
Wiceprezes ds. Zgodności Prawnej i Bezpieczeństwa
Winnenden, Sept. 30, 2017

Osoba upoważniona do sporządzenia dokumentu technicznego:
Alexander Krug, Dyrektor Zarządzający
Techtronic Industries GmbH
Max-Eyth-Straße 10, 71364 Winnenden, Germany

HU MEGFELELŐSÉGI NYILATKOZAT

Techtronic Industries GmbH
Max-Eyth-Straße 10, 71364 Winnenden, Germany

Ezúton kijelentjük, hogy a termékek
Akkumulátoros fúvó-/szívógép
Marka: RYOBI
Típuszám: OBV18
Sorozatszám tartomány: 46249701000001 - 46249701999999

megfelel az alábbi Európai irányelvek és harmonizált szabványok vonatkozó rendelkezéseinek

2006/42/EC, 2014/30/EU, 2000/14/EC, 2005/88/EC, 2011/65/EU,
EN 60335-1:2012+A11:2014, EN 50636-2-100:2014, EN ISO 12100:2010,
EN 55014-1:2016+A1:2009+A2:2011, EN 55014-2:2015, EN ISO 3744:2010,
EN 50581:2012

Mért hangteljesítményszint: 97,4 dB(A)
Garantált hangteljesítményszint: 99 dB(A)
A megfelelőségi értékelési eljárás a 2000/14/EC irányelv V. függeléké szerint történt által módosított 2005/88/EC irányelv.

Andrew John Eyre (BEng, CEng, MIET)
Alelnök, Megfelelőségi és Biztonsági Területék
Winnenden, Sept. 30, 2017

A műszaki dokumentáció összeállítására felhatalmazott:
Alexander Krug, Ügyvezető Igazgató
Techtronic Industries GmbH
Max-Eyth-Straße 10, 71364 Winnenden, Germany

CS PROHLÁŠENÍ O SHODĚ

Techtronic Industries GmbH
Max-Eyth-Straße 10, 71364 Winnenden, Germany

Tímto prohlašujeme, že výrobky
Akkumulátorový foukač/vysavač
Značka: RYOBI
Číslo modelu: OBV18
Rozsah sériových čísel: 46249701000001 - 46249701999999

že tento výrobek je v souladu s evropskými a harmonizovanými standardy
2006/42/EC, 2014/30/EU, 2000/14/EC, 2005/88/EC, 2011/65/EU,
EN 60335-1:2012+A11:2014, EN 50636-2-100:2014, EN ISO 12100:2010,
EN 55014-1:2016+A1:2009+A2:2011, EN 55014-2:2015, EN ISO 3744:2010,
EN 50581:2012

Změřená hladina akustického výkonu: 97,4 dB(A)
Zaručená hladina akustického výkonu: 99 dB(A)
Soulad s metodou určování pro přílohu V směrnice 2000/14/EC upravená 2005/88/EC.

Andrew John Eyre (BEng, CEng, MIET)
Viceprezident, Normy a Bezpečnost
Winnenden, Sept. 30, 2017

Pověření ke kompilaci technického souboru:
Alexander Krug, Generální Reditel
Techtronic Industries GmbH
Max-Eyth-Straße 10, 71364 Winnenden, Germany

RO DECLARAȚIE DE CONFORMITATE

Techtronic Industries GmbH
Max-Eyth-Straße 10, 71364 Winnenden, Germany

Prin prezenta, declarăm că produsele
Aparat de suflat/aspirator fără cablu
Marcă: RYOBI
Număr serie: OBV18
Gamă număr serie: 46249701000001 - 46249701999999

este în conformitate cu următoarele Directive Europene și standarde armonizate
2006/42/EC, 2014/30/EU, 2000/14/EC, 2005/88/EC, 2011/65/EU,
EN 60335-1:2012+A11:2014, EN 50636-2-100:2014, EN ISO 12100:2010,
EN 55014-1:2016+A1:2009+A2:2011, EN 55014-2:2015, EN ISO 3744:2010,
EN 50581:2012

Nivelul măsurat al puterii acustice: 97,4 dB(A)
Nivel garantat al puterii acustice: 99 dB(A)
Metoda de evaluare a conformității cu Anexa V Directiva 2000/14/EC modificată prin 2005/88/EC.

Andrew John Eyre (BEng, CEng, MIET)
Vicepreședintele, Reglementare & Siguranță
Winnenden, Sept. 30, 2017

Autorizat să completeze fișa tehnică:
Alexander Krug, Director General
Techtronic Industries GmbH
Max-Eyth-Straße 10, 71364 Winnenden, Germany

LV ATBILSTĪBAS DEKLARĀCIJA

Techtronic Industries GmbH
Max-Eyth-Straße 10, 71364 Winnenden, Germany

Ar šo paziņojam, ka produkti

Bezvadu pūtējs/vakuuma sūcējs
Zīmols: RYOBI
Modeļa numurs: OBV18
Sērijas numura intervāls: 46249701000001 - 46249701999999

atbilst šādām Eiropas direktīvām un saskaņotajiem standartiem

2006/42/EC, 2014/30/EU, 2000/14/EC, 2005/88/EC, 2011/65/EU,
EN 60335-1:2012+A11:2014, EN 50636-2-100:2014, EN ISO 12100:2010,
EN 55014-1:2016+A1:2009+A2:2011, EN 55014-2:2015, EN ISO 3744:2010,
EN 50581:2012

Izmērītās skaņas jaudas līmenis: 97,4 dB(A)
Garantētais skaņas intensitātes līmenis: 99 dB(A)
Atbilstības novērtēšanas metode pielikumam V Direktīvai 2000/14/EC labota 2005/88/EC.

Andrew John Eyre (BEng, CEng, MIET)
Viceprezidents, Darba Drošības Noteikumi
Winnenden, Sept. 30, 2017

Pilnvarots sastādīt tehnisko failu:
Alexander Krug, Izpilddirektors
Techtronic Industries GmbH
Max-Eyth-Straße 10, 71364 Winnenden, Germany

ET VASTAVUSDEKLARATSIOON

Techtronic Industries GmbH
Max-Eyth-Straße 10, 71364 Winnenden, Germany

Kinnitame, et see toode

Akutoitega puhur-imur
Mark: RYOBI
Mudeli number: OBV18
Seerianumbri vahemik: 46249701000001 - 46249701999999

vastab järgmistele Euroopa direktiividele ja harmoneeritud standarditele

2006/42/EC, 2014/30/EU, 2000/14/EC, 2005/88/EC, 2011/65/EU,
EN 60335-1:2012+A11:2014, EN 50636-2-100:2014, EN ISO 12100:2010,
EN 55014-1:2016+A1:2009+A2:2011, EN 55014-2:2015, EN ISO 3744:2010,
EN 50581:2012

Möödetud helivõimsuse tase: 97,4 dB(A)
Garanteeritud helivõimsuse tase: 99 dB(A)
Vastavushindamine vastavalt lisale V direktiivis 2000/14/EC muudetud direktiiviga 2005/88/EC.

Andrew John Eyre (BEng, CEng, MIET)
Asepresident Standardiseerimise Ja Ohutuse Alal
Winnenden, Sept. 30, 2017

Tehnilise faili koostamiseks volitatud isik:
Alexander Krug, Tegevdirektor
Techtronic Industries GmbH
Max-Eyth-Straße 10, 71364 Winnenden, Germany

LT ATITIKTIES DEKLARACIJA

Techtronic Industries GmbH
Max-Eyth-Straße 10, 71364 Winnenden, Germany

Mes pareiškiame, kad šie produktai

Belaidis nupūtimo/siurbimo prietaisas
Prekės ženklas: RYOBI
Modelio numeris: OBV18
Serijinio numerio diapazonas: 46249701000001 - 46249701999999

pagamintas laikantis toliau nurodytųjų Europos Direktyvų ir darniųjų standartų

2006/42/EC, 2014/30/EU, 2000/14/EC, 2005/88/EC, 2011/65/EU,
EN 60335-1:2012+A11:2014, EN 50636-2-100:2014, EN ISO 12100:2010,
EN 55014-1:2016+A1:2009+A2:2011, EN 55014-2:2015, EN ISO 3744:2010,
EN 50581:2012

Išmatuotas akustinis lygis: 97,4 dB(A)
Garantuotas akustinis lygis: 99 dB(A)
Atitikties įvertinimo metodas pagal direktyvos 2000/14/EC, V Priedą su pataisomis 2005/88/EC.

Andrew John Eyre (BEng, CEng, MIET)
Kontrolės Ir Saugos Viceprezidentas
Winnenden, Sept. 30, 2017

Įgaliotas sudaryti techninį failą:
Alexander Krug, Generalinis Direktorius
Techtronic Industries GmbH
Max-Eyth-Straße 10, 71364 Winnenden, Germany

HR IZJAVA O USKLADENOSTI

Techtronic Industries GmbH
Max-Eyth-Straße 10, 71364 Winnenden, Germany

Ovim izjavljujemo da su proizvodi

Bežična puhalaica/usisavač
Marka: RYOBI
Broj modela: OBV18
Raspon serijskog broja: 46249701000001 - 46249701999999

uskladen sa sljedećim Europskim Direktivama i usklađenim normama

2006/42/EC, 2014/30/EU, 2000/14/EC, 2005/88/EC, 2011/65/EU,
EN 60335-1:2012+A11:2014, EN 50636-2-100:2014, EN ISO 12100:2010,
EN 55014-1:2016+A1:2009+A2:2011, EN 55014-2:2015, EN ISO 3744:2010,
EN 50581:2012

Izmjerena razina zvučne snage: 97,4 dB(A)
Jamčena razina zvučne snage: 99 dB(A)
Metoda potvrdnje usklađenosti prema Dodatku V Direktive 2000/14/EC navedeno u 2005/88/EC.

Andrew John Eyre (BEng, CEng, MIET)
Potpredsjednik za Pravila i Sigurnost
Winnenden, Sept. 30, 2017

Ovlašten da sastavi tehničku datoteku:
Alexander Krug, Direktor Upravljanja
Techtronic Industries GmbH
Max-Eyth-Straße 10, 71364 Winnenden, Germany

SL IZJAVA O SKLADNOSTI

Techtronic Industries GmbH
Max-Eyth-Straße 10, 71364 Winnenden, Germany

Izjavljamo, da je izdelek

Brezžični puhalnik/sesalnik
Znamka: RYOBI
Številka modela: OBV18
Razpon serijskih števil: 46249701000001 - 46249701999999

v skladu s sledečimi evropskimi direktivami in harmoniziranimi standardi

2006/42/EC, 2014/30/EU, 2000/14/EC, 2005/88/EC, 2011/65/EU,
EN 60335-1:2012+A11:2014, EN 50636-2-100:2014, EN ISO 12100:2010,
EN 55014-1:2016+A1:2009+A2:2011, EN 55014-2:2015, EN ISO 3744:2010,
EN 50581:2012

Izmerjena raven zvočne moči: 97,4 dB(A)

Zajamčena raven zvočne moči: 99 dB(A)

Način ugotavljanja skladnosti z aneksom V direktive 2000/14/EC ki je bila spremenjena z 2005/88/EC.

Andrew John Eyre (BEng, CEng, MIET)
Podpredsednik, Zakonodajne In Varnostne Zadeve
Winnenden, Sept. 30, 2017

Pooblaščen oseba za sestavo tehnične dokumentacije:

Alexander Krug, Izvršni Direktor
Techtronic Industries GmbH
Max-Eyth-Straße 10, 71364 Winnenden, Germany

CE

BG ДЕКЛАРАЦИЯ НА ЗА СЪОТВЕТСТВИЕ

Techtronic Industries GmbH
Max-Eyth-Straße 10, 71364 Winnenden, Germany

С настоящето декларираме, че продуктите

Безжична машина за обдухване/засмукване
Марка: RYOBI
Номер на модела: OBV18
Обхват на серийни номера: 46249701000001 - 46249701999999

отговаря на следните директиви на ЕС и хармонизирани стандарти

2006/42/EC, 2014/30/EU, 2000/14/EC, 2005/88/EC, 2011/65/EU,
EN 60335-1:2012+A11:2014, EN 50636-2-100:2014, EN ISO 12100:2010,
EN 55014-1:2016+A1:2009+A2:2011, EN 55014-2:2015, EN ISO 3744:2010,
EN 50581:2012

Измерено ниво на шум: 97,4 dB(A)

Гарантирано ниво на шум: 99 dB(A)

Метод за оценяване на съответствието с приложение V Директива 2000/14/EC, изменена от 2005/88/EC.

Andrew John Eyre (BEng, CEng, MIET)
Вицепрезидент, Правни Услуги И Безопасност
Winnenden, Sept. 30, 2017

Упълномощено лице за съставяне на техническия файл:

Alexander Krug, Изпълнителен Директор
Techtronic Industries GmbH
Max-Eyth-Straße 10, 71364 Winnenden, Germany

CE

SK PREHLÁSENIE O ZHODE

Techtronic Industries GmbH
Max-Eyth-Straße 10, 71364 Winnenden, Germany

Týmto vyhlasujeme, že výrobok

Akumulátorový dýchadlový vysávač
Značka: RYOBI
Číslo modelu: OBV18
Rozsah sériových čísiel: 46249701000001 - 46249701999999

je v súlade s nasledujúcimi Európskymi smernicami a harmonizovanými normami

2006/42/EC, 2014/30/EU, 2000/14/EC, 2005/88/EC, 2011/65/EU,
EN 60335-1:2012+A11:2014, EN 50636-2-100:2014, EN ISO 12100:2010,
EN 55014-1:2016+A1:2009+A2:2011, EN 55014-2:2015, EN ISO 3744:2010,
EN 50581:2012

Nameraná úroveň hluku: 97,4 dB(A)

Garantovaná úroveň hluku: 99 dB(A)

Spôsob určenia zhody podľa Dodatku V Smernica 2000/14/EC doplnená o 2005/88/EC.

Andrew John Eyre (BEng, CEng, MIET)
Viceprezident, Regulácia a Bezpečnosť
Winnenden, Sept. 30, 2017

Oprávnená osoba na zostavenie technického súboru:

Alexander Krug, Generálny Riaditeľ
Techtronic Industries GmbH
Max-Eyth-Straße 10, 71364 Winnenden, Germany

CE

UK ДЕКЛАРАЦИЯ ПРО ВІДПОВІДНІСТЬ

Techtronic Industries GmbH
Max-Eyth-Straße 10, 71364 Winnenden, Germany

При цьому ми заявляємо, що продукт

Бездротовий воздуходувка/пилосос
Марка: RYOBI
Номер моделі: OBV18
Діапазон серійного номеру: 46249701000001 - 46249701999999

у відповідності з наступними європейськими директивами та гармонізованими стандартами

2006/42/EC, 2014/30/EU, 2000/14/EC, 2005/88/EC, 2011/65/EU,
EN 60335-1:2012+A11:2014, EN 50636-2-100:2014, EN ISO 12100:2010,
EN 55014-1:2016+A1:2009+A2:2011, EN 55014-2:2015, EN ISO 3744:2010,
EN 50581:2012

Вимірний рівень звукової потужності: 97,4 dB(A)

Гарантований рівень звукової потужності: 99 dB(A)

Метод оцінки відповідності додаток V Директива 2000/14/EC з поправками, внесеними 2005/88 / EC.

Andrew John Eyre (BEng, CEng, MIET)
Вице-президент, регулювання і безпека
Winnenden, Sept. 30, 2017

Дозвіл на складання технічного файла:

Alexander Krug, керуючий Директор
Techtronic Industries GmbH
Max-Eyth-Straße 10, 71364 Winnenden, Germany

CE

TR UYGUNLUK BEYANI

Techtronic Industries GmbH
Max-Eyth-Straße 10, 71364 Winnenden, Germany

İş bu belge ile bu ürünün

Kablosuz Üfleme/Vakum Makinesi

Marka: RYOBI

Model numarası: OBV18

Seri numarası aralığı: 46249701000001 - 46249701999999

aşağıdaki Avrupa Direktiflerine ve uyumlaştırılmış standartlara uygun olduğunu beyan ediyorum

2006/42/EC, 2014/30/EU, 2000/14/EC, 2005/88/EC, 2011/65/EU,

EN 60335-1:2012+A11:2014, EN 50636-2-100:2014, EN ISO 12100:2010,

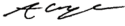
EN 55014-1:2016+A1:2009+A2:2011, EN 55014-2:2015, EN ISO 3744:2010,

EN 50581:2012

Ölçülen ses gücü seviyesi: 97,4 dB(A)

Güvenceli ses gücü seviyesi: 99 dB(A)

2005/88/AT ile değiştirilen 2000/14/AT Direktifi Ek V uyarınca uygunluk değerlendirilmesi yöntemi



Andrew John Eyre (BEng, CEng, MIET)
Kıdemli Mühendislik Yöneticisi
Winnenden, Sept. 30, 2017



Teknik dosyayı derlemekle yetkili sorumlu:

Alexander Krug, İdari Müdür

Techtronic Industries GmbH

Max-Eyth-Straße 10, 71364 Winnenden, Germany







Techtronic Industries GmbH
Max-Eyth-Straße 10,
71364 Winnenden, Germany

960394013-01