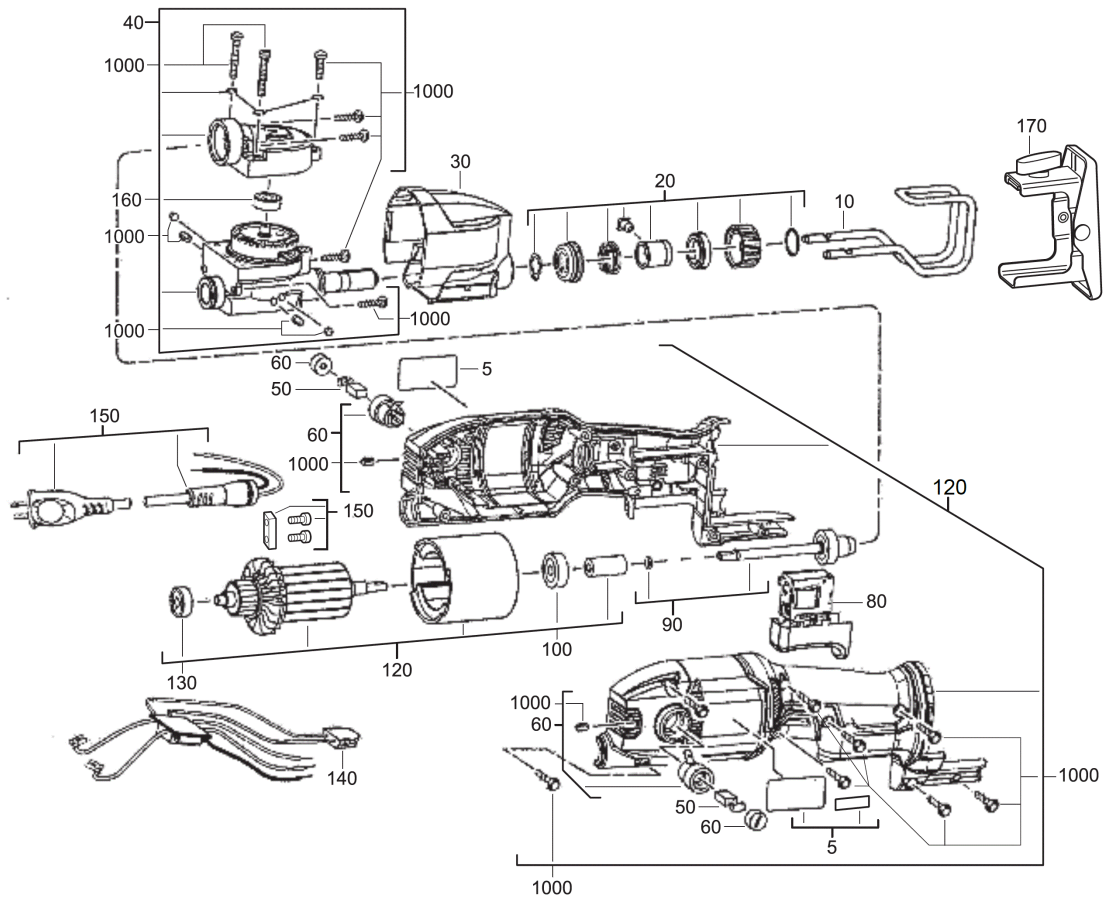


US400XE RECIPROCATING SAW IN2

4935411814 - US400XE - 4000411811





Position	Quantity	Description	Part number	EAN
0005	1	RATING PLATE	200170049	4002395823192
0010	1	DISTANCE HOLDER	513100000	
0020	1	CLAMPING PIECE	200402002	4002395820856
0030	1	BODY	341056002	4002395820931
0040	1	GEARWHEEL SET	200281026	4002395823314
0050	1	CARBON BRUSH	672302001	4002395823376
0060	1	BRUSH HOLDER	200285007	4002395823321
0080	1	SWITCH	760406011	4002395823390
0090	1	PINION	200308006	4002395823338
0100	1	BALL BEARING	681258001	4002395823383
0120	1	MOTOR ASSEMBLY	4931454923	4058546020972
0130	1	BALL BEARING	690727001	4002395824281
0140	1	ELECTRONIC	290311001	4002395824342
0150	1	CONNECTION CABLE	200311023	4002395823345
0160	1	BALL BEARING	513100000	
0170	1	GUIDE SHOE	200382003	4002395828494
1000	1	SCREW	200510003	4002395823369