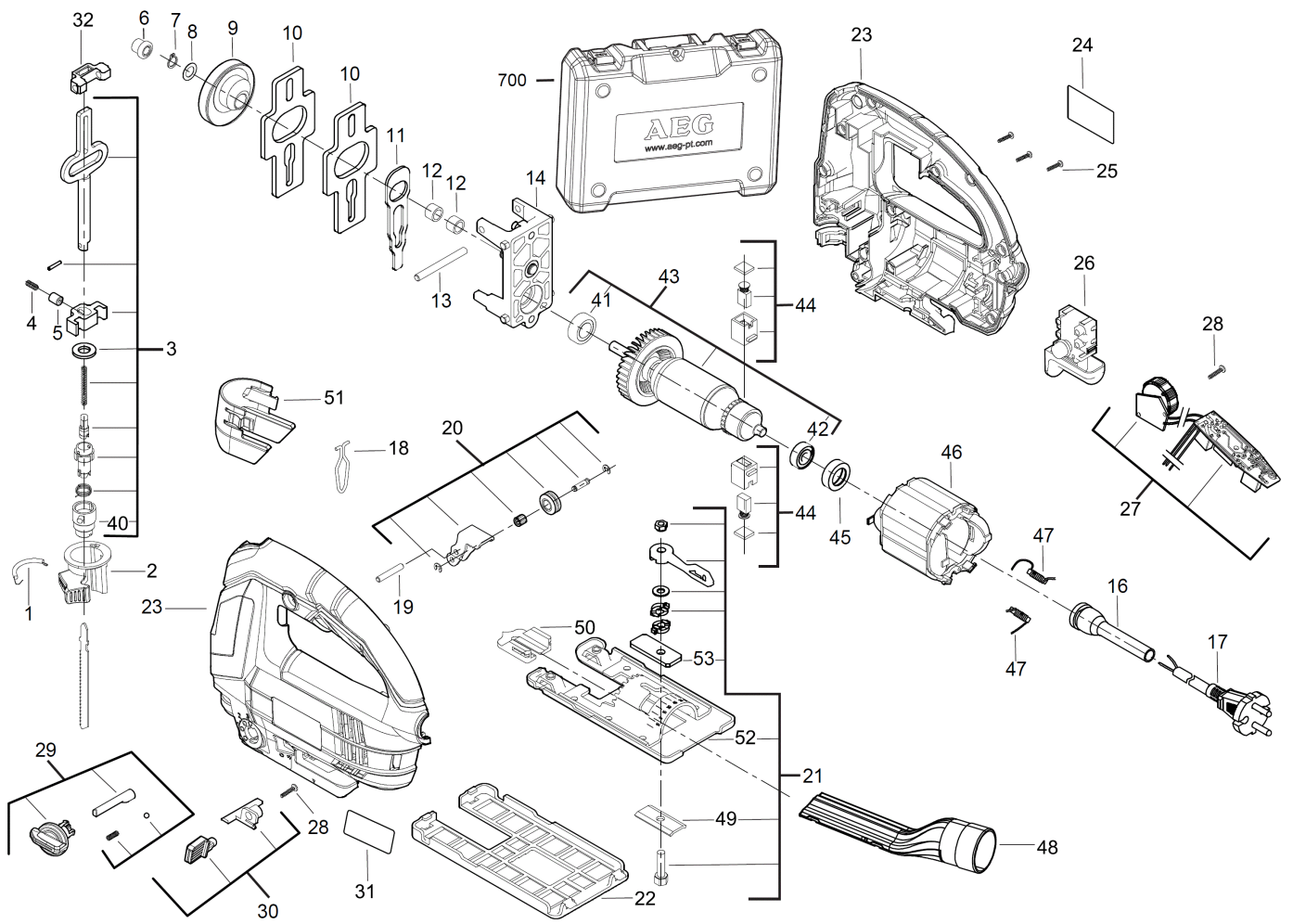


STEP100X PENDULUM JIG SAW IN2

4935451000 - STEP100X IN2 - 4000452283





Position	Quantity	Description	Part number	EAN
0001	1	SPRING	4931456306	4002395174799
0002	1	CLAMPING LEVER	4931456307	4002395172009
0003	1	NOSEPIECE	4931456308	4002395172016
0004	1	SPRING	4931456262	4002395172603
0005	1	ADAPTER SLEEVE	4931456263	4002395172610
0006	1	GUIDE SLEEVE	4931456265	4002395172634
0007	1	PROTECTION WASHER	4931456266	4002395172641
0008	1	WASHER	4931456267	4002395172658
0009	1	WORM GEAR WHEEL	4931456268	4002395172665
0010	2	BALANCE WEIGHT	4931456269	4002395172672
0011	1	DRIVING PLATE	4931456270	4002395172689
0012	2	NEEDLE BEARING	4931456271	4002395172696
0013	1	PIN	4931456272	4002395173303
0014	1	BRACKET	4931456273	4002395173310
0016	1	PLATE	4931456309	4002395172023
0017	1	CONNECTION CABLE	4931456275	4002395173334
0018	1	CONNECTION	4931456276	4002395173341
0019	1	PIN	4931456277	4002395173358
0020	1	GUIDE ROLLER	4931456278	4002395173365
0021	1	CLAMPING LEVER	4931456310	4002395172030
0022	1	PROTECTING SHOE	4931456311	4002395172047
0023	1	HOUSING	4931456312	4002395172054
0024	1	RATING PLATE	4931456313	4002395174669
0025	14	SCREW	4931456284	4002395174010
0026	1	SWITCH	4931456285	4002395174027
0027	1	ELECTRONIC ELEMENT	4931456286	4002395174034
0028	2	SCREW	4931456287	4002395174041
0029	1	ADJUSTING BUTTON	4931456288	4002395174058
0030	1	ADJUSTER	4931456289	4002395174065
0031	1	NAME PLATE	4931456290	4002395174645
0032	1	BUSH	4931456264	4002395172627
0040	1	ADAPTER SLEEVE	4931456315	4002395172061
0041	1	BALL BEARING	4931456294	4002395174690
0042	1	BALL BEARING	4931456295	4002395171903
0043	1	ARMATURE ASSEMBLY	4931456296	4002395174706
0044	1	CARBON BRUSH SET	4931456297	4002395174713
0045	1	RETAINER	4931456298	4002395174720
0046	1	ELECTRIC FIELD	4931456299	4002395174737
0047	2	BONDER	4931456300	4002395174744
0048	1	DUST EXTR.CONNECTOR	4931456302	4002395174768
0049	1	BACKING PLATE	4931456292	4002395174096
0050	1	ANT-CHIPPING DEVICE	4931456316	4002395172078
0051	1	DUST GUARD	4931456304	4002395174782
0052	1	BASE PLATE	4931456280	4002395173396
0053	1	BACKING PLATE	4931456279	4002395173389
0700	1	CARRYING CASE	4931456317	4002395171941