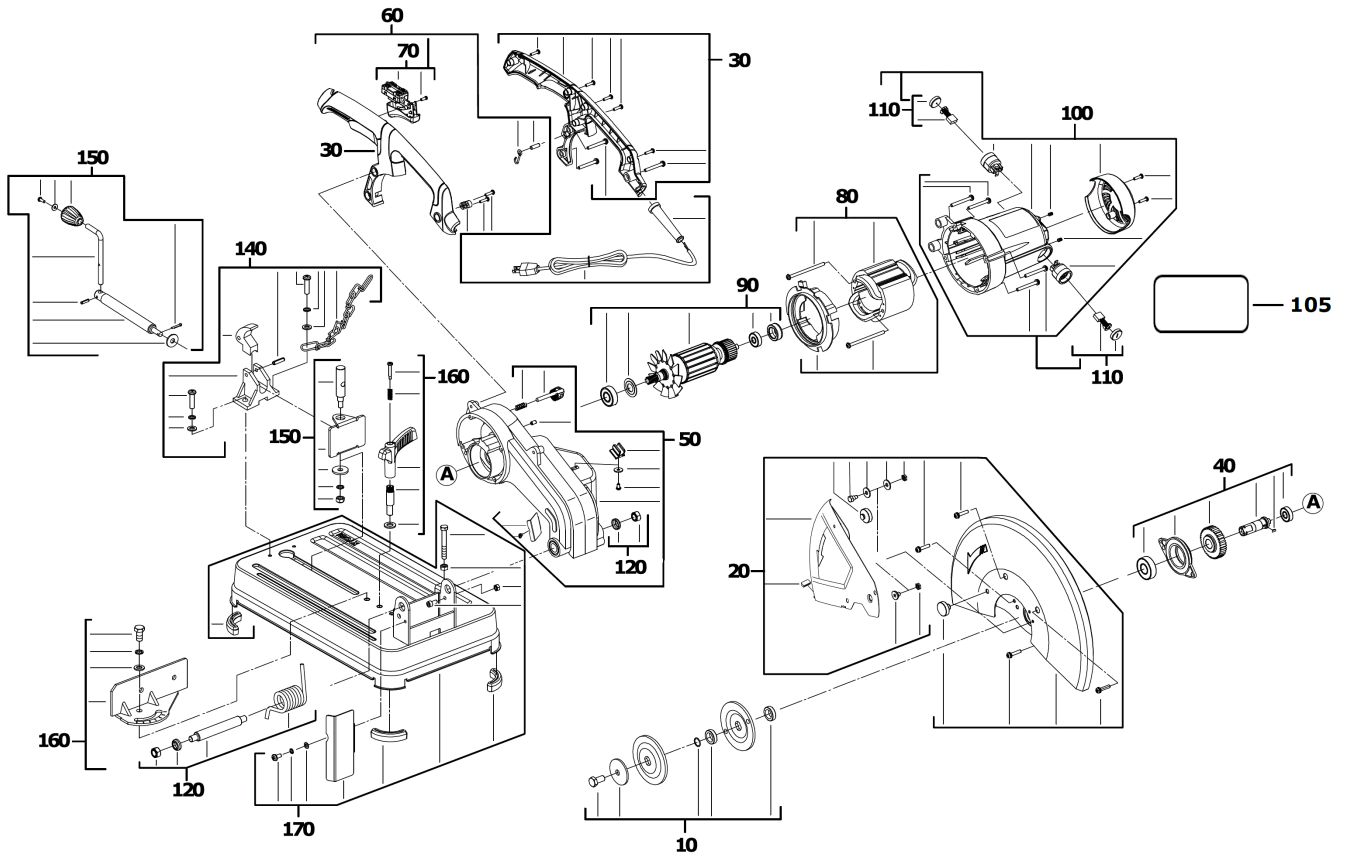


# SMT355 230V 14 INCH CHOPSAW IN2

4935411770 - SMT355 IN2 - 4000469919





Position	Quantity	Description	Part number	EAN
0010	1	CLAMPING FLANGE	210125740	4002395796199
0020	1	GUARD CAP	4931472168	4058546283858
0030	1	HANDLE COMPL.	210125724	4002395796816
0040	1	GEAR KIT	210125732	4002395796823
0050	1	LEVER	4931472169	4058546283865
0060	1	SWITCH ASSEMBLY	210125725	4002395796847
0070	1	SWITCH	210125625	4002395796854
0080	1	ELECTRIC FIELD	210125722	4002395796861
0090	1	ARMATURE	210125723	4002395796878
0100	1	MOTOR HOUSING	210125721	4002395796885
0105	1	RATING PLATE	4931472170	4058546283872
0110	1	BRUSH	210125628	4002395796892
0120	1	REPAIR KIT	210125750	4002395797509
0140	1	SWITCH LEVER	210125712	4002395797516
0150	1	GUARD	210125710	4002395797523
0160	1	GUARD	210125713	4002395797530
0170	1	ABSOLUTE UNIT	210125700	4002395797547