

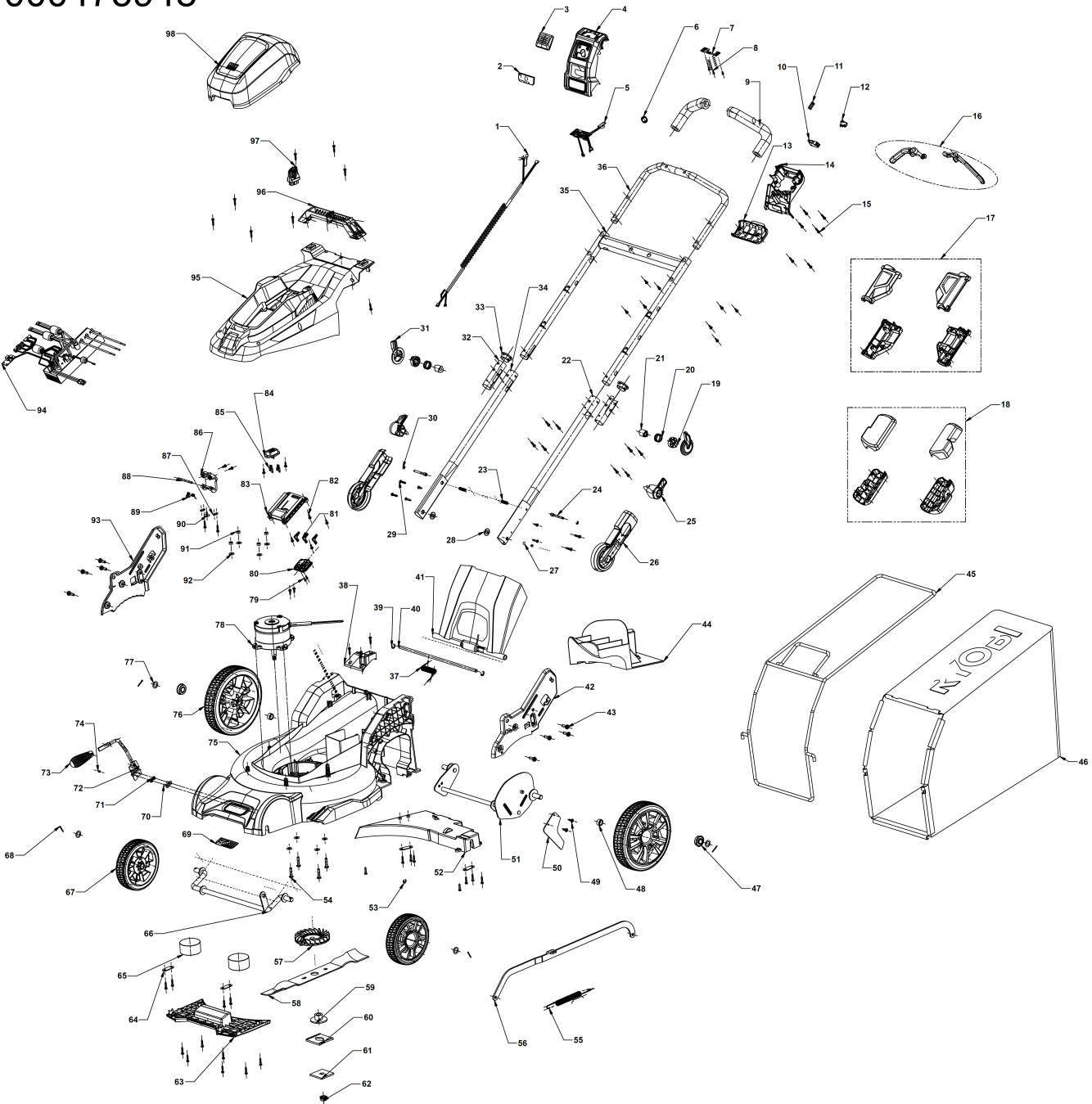
RY36LM40A-150 CLESS 40CM LMOWER+BAT IN2

5133005482 - RY36LM40A-150 - 4000475948





4000475948



Position	Quantity	Description	Part number	EAN
1001	1	WIRE	5131045814	4058546454463
1002	1	LABEL	5131045420	4058546430122
1003	1	TRIGGER	5131045815	4058546454470
1004	1	HOUSING COVER	5131045988	4058546456207
1005	1	ELECTRONIC	5131045817	4058546454494
1006	1	SPRING	5131040206	4058546052683
1007	1	ELECTRONIC	5131045748	4058546453800
1008	3	SCREW	5131035627	4058546150341
1009	2	FOAM RUBBER	5131045599	4058546431914
1010	1	SWITCH	5131045443	4058546430351
1011	1	SPRING	5131036409	4058546157777
1012	1	SWITCH	5131044414	4058546430832
1013	1	HOUSING	5131045818	4058546454500
1014	1	HOUSING	5131045819	4058546454517
1015	40	SCREW	5131035603	4058546150105
1016	1	TRIGGER	5131045820	4058546454524
1017	1	FASTENING PARTS	5131045601	4058546431938
1018	1	FASTENING PARTS	5131045602	4058546431945
1019	2	LATCH	5131045395	4058546401504
1020	2	SPRING	5131042966	4058546261801
1021	2	RUBBER DISC	5131042967	4058546261818
1022	1	HANDLE	5131045603	4058546431952
1023	2	SPRING	5131033550	4002395149124
1024	2	PIN	5131045605	4058546431976
1025	2	TURNING KNOB	5131045989	4058546456214
1026	2	HINGE PIECE	5131045604	4058546431969
1027	1	SCREW	5131042894	4058546261085
1028	2	WASHER	5131033520	4002395147021
1029	4	SCREW	5131035616	4058546150235
1030	2	PROTECTION WASHER	5131045434	4058546430269
1031	2	TURNING BOLT	5131045821	4058546454531
1032	2	SLEEVE	5131042968	4058546261825
1033	2	BUSHING	5131033530	4002395147724
1034	1	GUIDE BAR	5131045597	4058546431891
1035	1	GUIDE BAR	5131045598	4058546431907
1036	1	HANDLE BAR	5131045751	4058546453831
1037	1	SPRING	5131035678	4058546150822
1038	1	CHAIN CLAMP BODY	5131045627	4058546432195
1039	2	CLIP	5131035679	4058546150839
1040	1	AXLE	5131035677	4058546150815
1041	1	DOOR	5131045822	4058546454548
1042	1	SIDE PART	5131045619	4058546432119
1043	8	SCREW	5131040191	4058546052539
1044	1	MULCH COVER	5131045752	4058546453848
1045	1	FRAME	5131045990	4058546456221
1046	1	GRASS-CATCHING BAG	5131045824	4058546454562
1047	2	BEARING	5131035643	4058546150495
1048	2	BUSHING	5131035644	4058546150501
1049	2	SCREW	5131040230	4058546052928
1050	1	SIDE PART	5131045611	4058546432034

Position	Quantité	Désignation	Référence	EAN
1051	1	AXLE	5131045614	4058546432065
1052	1	HOUSING COVER	5131045613	4058546432058
1053	1	PROTECTION WASHER	5131000000	
1054	4	SCREW	5131035657	4058546150624
1055	1	SPRING	5131045474	4058546430665
1056	1	ROD	5131045612	4058546432041
1057	1	FAN	5131042950	4058546261641
1059	1	SPACER	5131042951	4058546261658
1060	1	SPACER	5131035661	4058546150662
1061	1	RETAINING PLATE	5131035662	4058546150679
1062	1	NUT	5131035663	4058546150686
1063	1	HOUSING COVER	5131045616	4058546432089
1064	4	TERMINAL STRIP	5131042942	4058546261566
1065	2	BALANCE WEIGHT	5131045617	4058546432096
1066	1	AXLE	5131045620	4058546432126
1067	2	WHEEL	5131045825	4058546454579
1068	4	PIN	5131035642	4058546150488
1069	1	LABEL	5131045760	4058546453923
1070	3	SCREW	5131045621	4058546432133
1071	2	NUT	5131045623	4058546432157
1072	1	OPERATING HANDLE	5131045622	4058546432140
1073	1	GRIP PART	5131045991	4058546456238
1074	1	PART NOT DEATAILED	1000063920	
1075	1	HOUSING	5131045758	4058546453909
1076	2	WHEEL	5131045826	4058546454586
1077	4	WASHER	5131035654	4058546150594
1078	1	MOTOR	5131045442	4058546430344
1079	2	SCREW	5131042900	4058546261146
1080	1	COVER	5131042591	4058546258054
1081	3	CONNECTOR	5131044015	4058546379513
1082	20	SCREW	5131036253	4058546156244
1083	1	ACCEPTANCE	5131045761	4058546453930
1084	1	BRACKET	5131035636	4058546150426
1085	2	CONNECTING WIRE	5131035637	4058546150433
1086	1	HOLDING DEVICE	5131045763	4058546453954
1087	2	CLAMP	5131045762	4058546453947
1088	1	PIN	5131045764	4058546453961
1089	1	SPRING	5131045765	4058546453978
1090	1	SCREW	5131033545	4002395148479
1091	4	NUT	5131035639	4058546150457
1092	8	WASHER	5131035656	4058546150617
1093	1	SIDE PART	5131045630	4058546432225
1094	1	ELECTRONIC	5131045992	4058546456245
1095	1	HOUSING	5131045767	4058546453992
1096	1	HANDLE	5131045768	4058546454005
1097	1	KEY SAFE	5131035631	4058546150372
1098	1	COVER	5131045769	4058546454012
1058	1	RAC404 LAWNMOWER BLADE FIT EMEA	5132002438	4892210813497