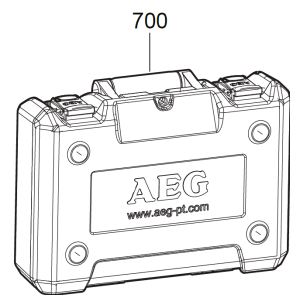
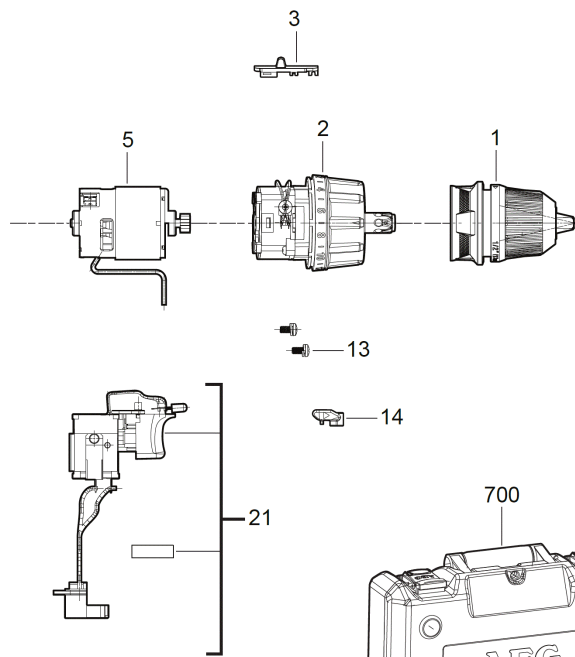
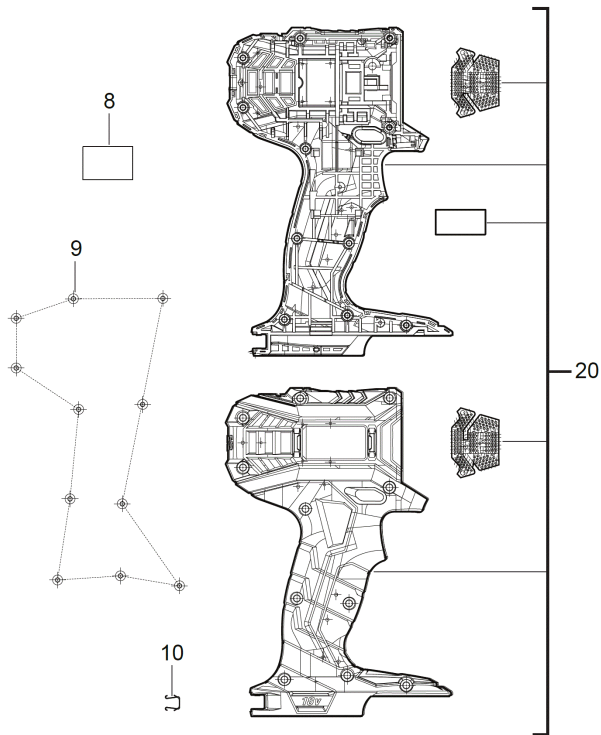


# **BS18C2XLI-202C Drill Driver IN2**

**4935459423 - BS18C2XLI-202C - 4000458914**





Position	Quantity	Description	Part number	EAN
0001	1	Chuck BSB18CBL - CK - 1pc	4932430925	4002395385874
0002	1	GEAR UNIT	4931465188	4058546232887
0003	1	SWITCH LEVER	4931465180	4058546232801
0005	1	MOTOR ASSEMBLY	4931465181	4058546232818
0008	1	RATING PLATE	4931465189	4058546232894
0009	11	SCREW	660031029	4002395855773
0010	1	BIT CLIP	4931454113	4002395290468
0013	2	SCREW	4931465183	4058546232832
0014	1	LEVER	4931465184	4058546232849
0020	1	HOUSING	4931465185	4058546232856
0021	1	ELECTRONIC SWITCH	4931465186	4058546232863
0700	1	CARRYING CASE	4931465187	4058546232870
	1	BL1218 BATTERY CHARGER IN2	5131000000	
	2	L1820R BATTERY PACK XXX	4932430169	4002395378302