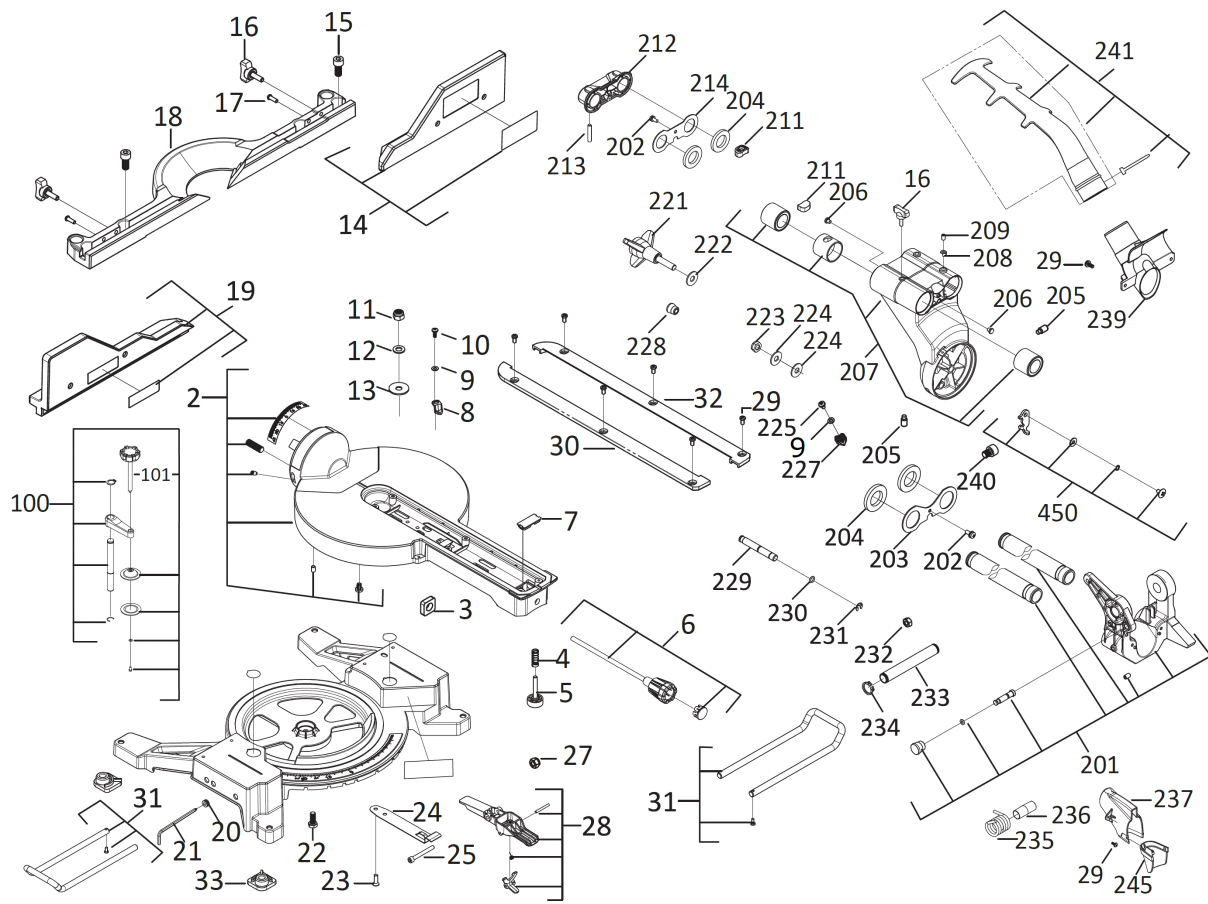
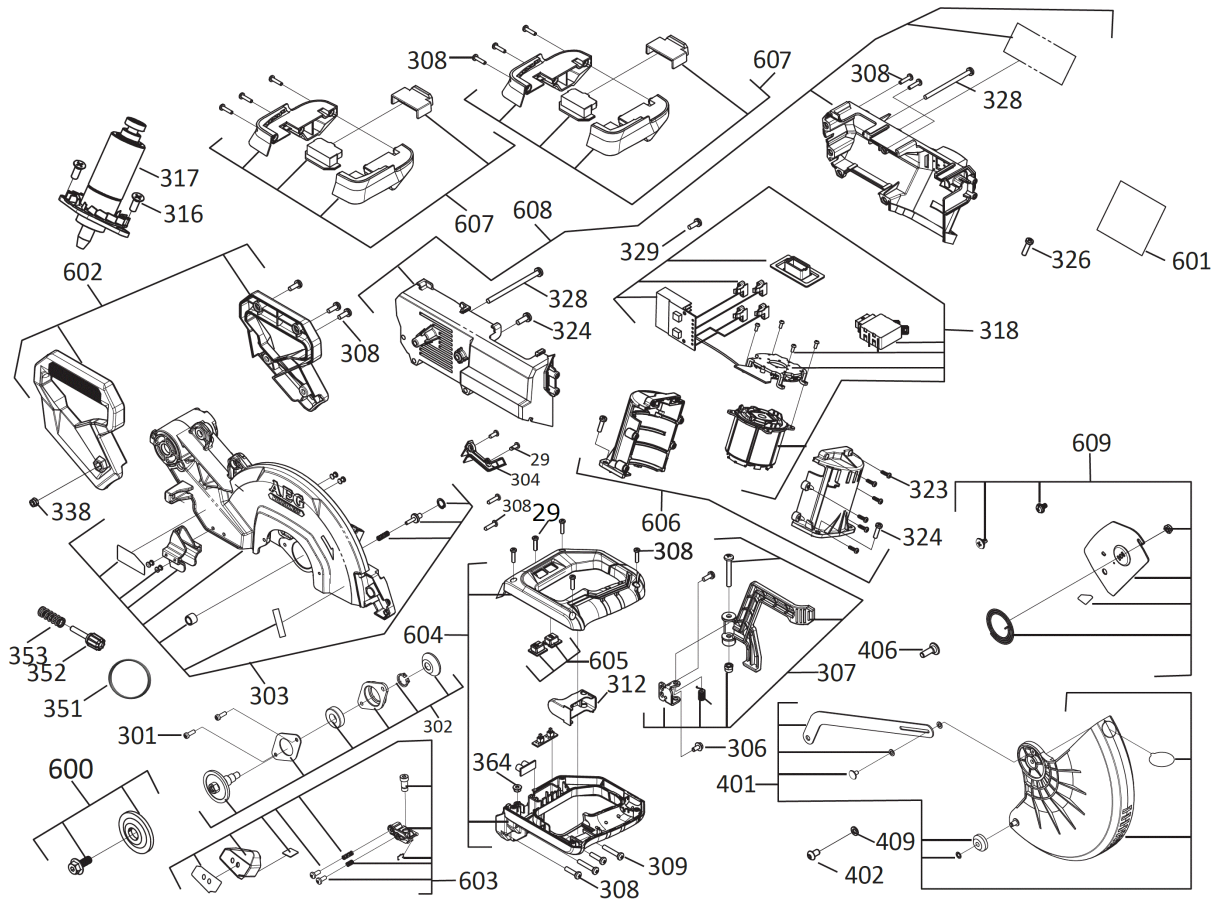


# BPS18-254BL-0 MITRE SAW XXX

4935459336 - BPS18-254BL-0 - 4000474020







Position	Quantity	Description	Part number	EAN
0002	1	TURN TABLE	4931454951	4058546021252
0003	1	NUT	4931454952	4058546021269
0004	1	SPRING	4931454953	4058546021276
0005	1	TURNING KNOB	4931454954	4058546021283
0006	1	VARIABLE RING	4931454955	4058546021290
0007	1	PROTECTIVE CAP	4931454956	4058546021306
0008	1	RELEASE LEVER	4931454957	4058546021313
0009	2	WASHER	4931454958	4058546021320
0010	1	SCREW	4931454959	4058546021337
0011	1	NUT	4931454960	4058546021344
0012	1	WASHER	4931454961	4058546021351
0013	1	WASHER	4931454962	4058546021368
0014	1	BACK SQUARE	4931454963	4058546021375
0015	4	SCREW	4931454964	4058546021382
0016	3	SET SCREW	4931454965	4058546021399
0017	1	SCREW	4931454966	4058546021405
0018	1	GUIDE KIT	4931454967	4058546021412
0019	1	BACK SQUARE	4931454968	4058546021429
0020	1	KEY HOLDER	4931454969	4058546021436
0021	1	SCREW	4931454970	4058546021443
0022	1	SCREW	4931454971	4058546021450
0023	2	SCREW	4931454972	4058546021467
0024	1	LOCKING PART	4931454973	4058546021474
0025	1	BOLT	4931454974	4058546021481
0027	1	NUT	4931454975	4058546021498
0028	1	CLAMPING LEVER	4931454976	4058546021504
0029	13	SCREW	4931454977	4058546021511
0030	1	TABLE INSERT	4931454978	4058546021528
0031	1	TABLE INSERT	4931454979	4058546021535
0032	2	EXTENSION PIECE	4931454980	4058546021542
0033	4	RUBBER STOP	4931454981	4058546021559
0100	1	JAW	4931454982	4058546021566
0101	1	SET SCREW	4931454983	4058546021573
0201	1	TURN TABLE	4931454984	4058546021580
0202	2	SCREW	4931454985	4058546021597
0203	1	DISTANCE PLATE	4931454986	4058546021603
0204	4	FELT WASHER	4931454987	4058546021610
0205	2	SCREW	4931454988	4058546021627
0206	2	RUBBER STOP	4931454989	4058546021634
0207	1	BEARING HOUSING	4931454990	4058546021641
0208	4	NUT	4931454991	4058546021658
0209	4	SCREW	4931454992	4058546021665
0211	4	COMPENSATING WASHER	4931454993	4058546021672
0212	1	COVER	4931454994	4058546021689
0213	2	BOLT	4931454995	4058546021696
0214	1	COVER	4931454996	4058546021702
0221	1	SET SCREW	4931454997	4058546021719
0222	1	WASHER	4931454998	4058546021726
0223	1	NUT	4931454999	4058546021733
0224	2	WASHER	4931461000	4058546031725

Position	Quantité	Désignation	Référence	EAN
0225	1	SCREW	4931461001	4058546031732
0227	1	RELEASE LEVER	4931461003	4058546031756
0228	1	RELEASE LEVER	4931461004	4058546031763
0229	1	BOLT	4931461005	4058546031770
0230	1	O-RING	4931461006	4058546031787
0231	1	RING	4931461007	4058546031794
0232	1	NUT	4931461008	4058546031800
0233	1	TUBE	4931461009	4058546031817
0234	2	O-RING	4931461010	4058546031824
0235	1	SPRING	4931461011	4058546031831
0236	1	SLEEVE	4931461012	4058546031848
0237	1	SUCTION SLEEVE	4931461013	4058546031855
0239	1	SUCTION SET	4931461014	4058546031862
0240	1	SCREW	4931461015	4058546031879
0241	1	DUST BAG	4931461016	4058546031886
0245	1	GROMMET	4931461017	4058546031893
0301	2	SCREW	4931461018	4058546031909
0302	1	ACCEPTANCE FLANGE	4931461602	4058546038359
0303	1	SAW BLADE PROTECT.	4931461603	4058546038366
0304	1	COVER	4931461021	4058546031930
0306	2	SCREW	4931461022	4058546031947
0307	1	RELEASE LEVER	4931461023	4058546031954
0308	20	SCREW	4931461024	4058546031961
0309	2	SCREW	4931461025	4058546031978
0312	1	TRIGGER	4931461026	4058546031985
0316	2	SCREW	4931461027	4058546031992
0317	1	ARMATURE	4931461028	4058546032005
0318	1	ELECTRIC FIELD	4931461029	4058546032012
0323	6	SCREW	4931461030	4058546032029
0324	5	SCREW	4931461031	4058546032036
0326	4	SCREW	4931461032	4058546032043
0328	4	SCREW	4931461033	4058546032050
0329	2	SCREW	4931461034	4058546032067
0338	1	NUT	4931461035	4058546032074
0351	1	O-RING	4931461604	4058546038373
0352	1	SPRING	4931461037	4058546032098
0353	1	KNOB	4931461038	4058546032104
0364	1	SCREW	4931461040	4058546032128
0401	1	SAW PROTECTION	4931461041	4058546032135
0402	1	SCREW	4931461042	4058546032142
0406	1	VARIABLE RING	4931461043	4058546032159
0409	1	WASHER	4931461044	4058546032166
0450	1	BOLT SET	4931461045	4058546032173
0600	1	CLAMPING FLANGE	4931461046	4058546032180
0601	1	RATING PLATE	4931472188	4058546284053
0602	1	HANDLE COMPL.	4931461048	4058546032203
0603	1	COVER	4931461049	4058546032210
0604	1	HANDLE	4931461050	4058546032227
0605	1	TRIGGER	4931461051	4058546032234
0606	1	HOUSING SET ASSY	4931461052	4058546032241

<b>Position</b>	<b>Quantité</b>	<b>Désignation</b>	<b>Référence</b>	<b>EAN</b>
0607	1	ACCEPTANCE	4931461053	4058546032258
0608	1	HOUSING SET ASSY	4931461054	4058546032265
0609	1	COVER	4931461055	4058546032272