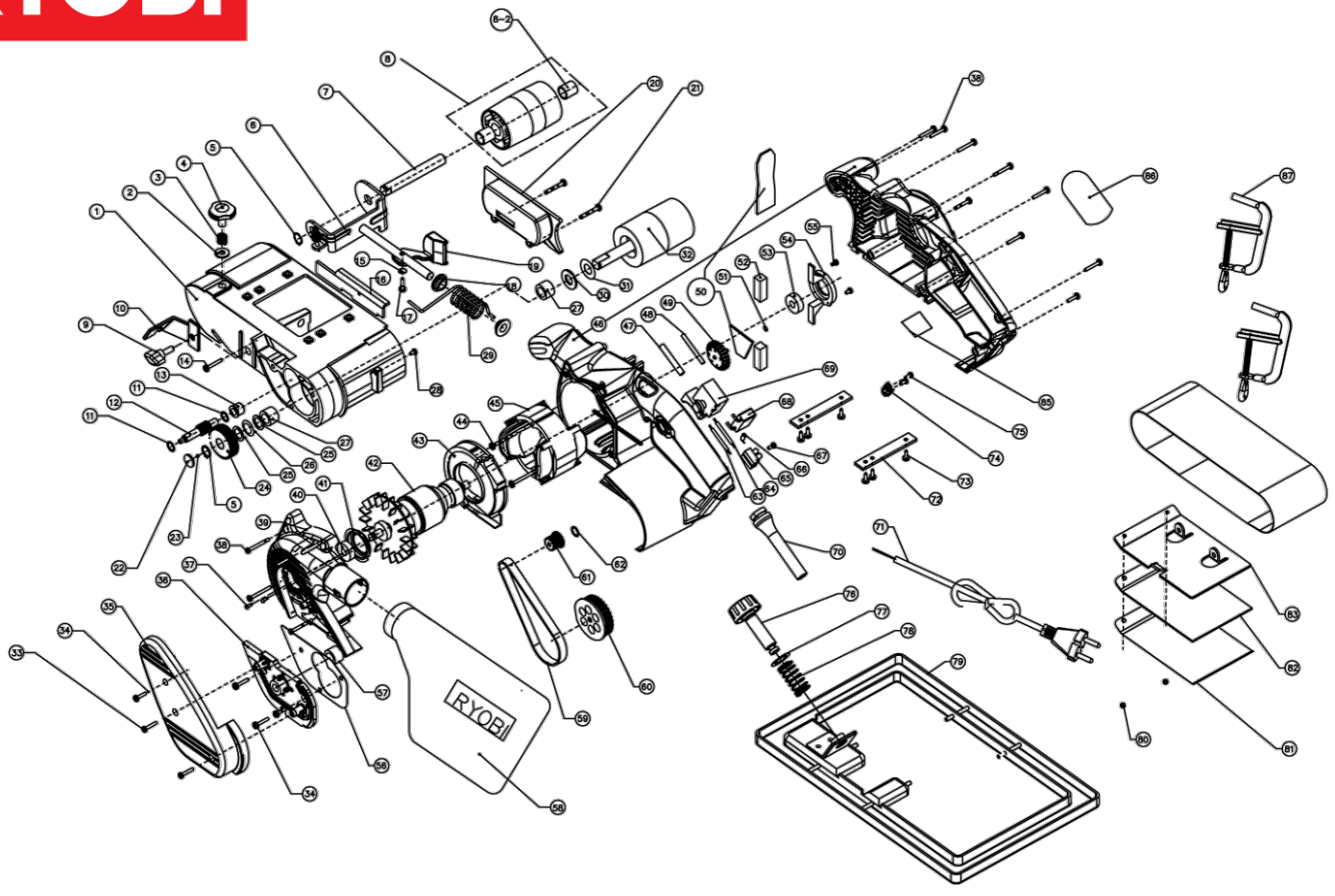


[TRAD][fr] [TRAD] 76mm (3") Belt Sander

5133000362 - EBS9576VFHG - 5133000362#1





Position	Quantity	Description	Part number	EAN
001	1	MAIN HOUSING EBS9576V	5131011046	
002	1	WASHER STEEL OD5/8inXID7/64inX1/16in	5131011954	
003	1	SPRING	5131001132	
004	1	TURNING KNOB	5131020127	
005	2	C-RING S65CM ID11.1X1.0MM EBS9576/1	5131017940	
006	1	YOKE	5131020128	
007	1	IDLE ROLLER SHAFT EBS9576V	5131010577	
008	1	FRONT ROLLER ASSY EBS9576V	5131017261	
008-2	1	SLEEVE BEARING EBS9576V	5131012482	
009	1	WINGED SCREW	5131020129	
010	1	MOUNTING BRACKET EBS9576V	5131011882	
011	1	WASHER EBS9576V	5131012484	
012	1	PINION EBS9576V	5131010055	
013	1	SLEEVE FLANGE EBS9576V	5131012483	
014	1	SCREW	5131020130	
015	1	CURVE WASHER EBS9576V	5131011666	
016	1	WEAR STRIP EBS9576V	5131012487	
017	1	SHOULDER SCREW EBS9576V EBS1310V	5131011355	
018	2	BUSHING EBS9576V	5131009548	
019	1	RELEASE LEVER	5131020131	
020	1	GLAMOR PLATE EBS9576V	5131011050	
021	1	SCREW	5131020132	
022	1	THRUST WASHER EBS9576V	5131012485	
023	1	STEEL BALL EBS9576V	5131012491	
024	1	GEAR DRIVEN EBS9576V	5131010054	
025	2	RDP7525S 230V TABLE SUPPORT	5131021133	
026	1	WAVE WASHER EBS9576V	5131011654	
027	2	NEEDLE BEARING HK1212 EBS9576V	5131011952	
028	1	SCREW CHT1850LC	5131016161	
029	1	TORSION SPRING EBS9576V	5131012490	
030	1	FELT SEAL EBS9576V	5131013195	
031	1	WASHER ID12XOD24X0.4 EBS9576V	5131011949	
032	1	DRIVE ROLLER ASSY EBS9576V	5131017461	
033	5	M SCREW M4 PH B/L=14.5MM	5131011430	
034	1	ST SCREW M4X14 EBS9576/1310V/7576	5131017768	
035	1	BELT COVER EBS9576V	5131009546	
036	1	GEAR HOUSING COVER EBS9576V	5131011045	
037	2	ST SCREW M2.5X8 EBS9576V/1310V/7576	5131011369	
038	13	SCREW CHT1850LC	5131011415	
039	1	ROTOR SIT COVER EBS9576V	5131009553	
040	1	BALL BEARING	5131020134	
041	1	BEARING MOUNTING PLATE EBS9576V	5131012456	
042	1	ROTOR EBS9576V	5131017996	
043	1	DUST VENT EBS9576V	5131009552	
044	1	SCREW	5131020135	
045	1	STATOR 230V-AC EBS9576V	5131017995	
046	1	HOUSING	5131020136	
047	1	SLEEVE DIA.6X40MM EBS9576V	5131017984	
048	1	SLEEVE DIA.4X40MM EBS9576V	5131017985	
049	1	ADJUSTING BUTTON	5131020137	

Position	Quantité	Désignation	Référence	EAN
050	1	PCB ASSY EBS9576V	5131008173	
051	1	NYLON WASHER OD8XID3.5X1MM ERT1500V	5131009308	
052	2	CARBON BRUSH ASSY X1 EBS9576V	5131008293	
053	1	BALL BEARING 608ZZ EBS9576V	5131017852	
054	1	BRUSH MOUNT. EBS9576V	5131009554	
055	2	ST SCREW M3X10 EBS9576V/7576	5131011389	
056	1	OIL SEAL EBS9576V	5131013202	
057	1	NEEDLE BEARING HK0810 EBS9576V	5131011960	
058	1	DUST BAG	5131020138	
059	1	BELT	5131020139	
060	1	DRIVEN PULLEY EBS9576V	5131010051	
061	1	DRIVE PULLEY EBS9576V	5131010053	
062	1	WASHER ID8.2XOD13.8X0.6 EBS9576V	5131011940	
063	1	WIRE UL10AWG18\RED 65MM EBS9576V	5131012869	
064	1	WIRE UL1015AWG18\BLK 65MM EBS9576V	5131012868	
065	1	TERMINAL BLOCK ID700RE/750-2RE EBS9	5131012421	
066	1	RESISTOR EBS9576V	5131012886	
067	1	SCREW	5131020140	
068	1	CAPACITOR EBS9576V	5131013027	
069	1	SWITCH	5131020141	
070	1	PROTECTION SLEEVE	5131020142	
071	1	POWER CORD	5131020143	
072	1	NUT STRIP EBS9576V	5131012502	
073	6	SCREW	5131020144	
074	1	CORD CLAMP EBS9576V/7576	5131012424	
075	2	SCREW	5131020145	
076	1	ADJUSTING BUTTON	5131020146	
077	1	WASHER	5131001046	
078	1	SPRING	5131020147	
079	1	BRUSH SANDING FRAME	5131020148	
080	2	ST SCREW #8-32 EBS9576V	5131011447	
081	1	PLATE	5131001131	
082	1	SHOCK ABSORBER	5131001177	
083	1	BRACKET	5131001130	
085	1	DATA PLATE	5131020149	
086	1	LABEL	5131020150	
087	2	CLAMPING PIECE	5131020151	
	1	SWISS ADAPTER	5131027809	