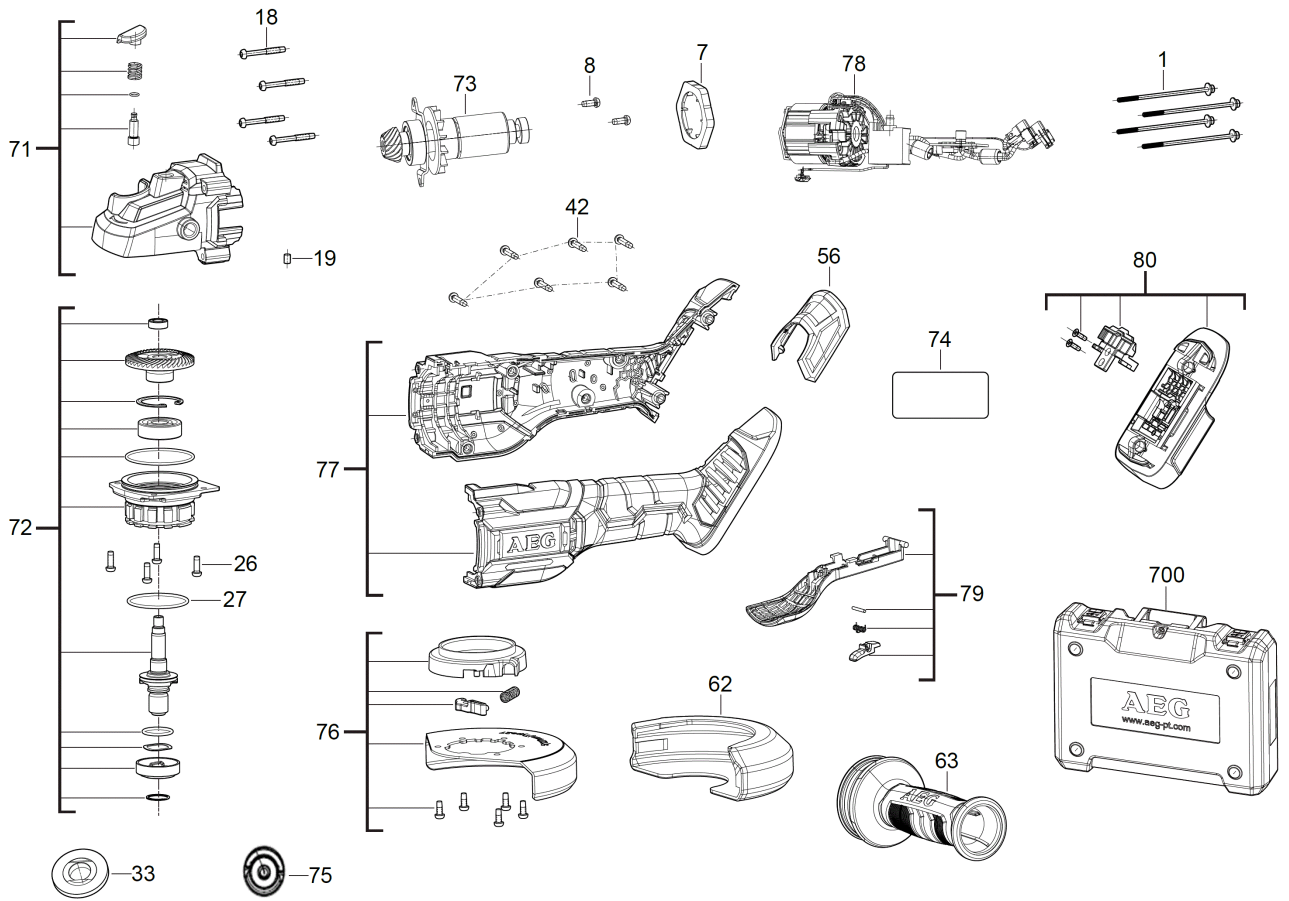


BEWS18-125BLPX-602C BTY.A.GRINDER IN2

4935464422 - BEWS18-125BLPX-602C - 4000467970





Position	Quantity	Description	Part number	EAN
0001	4	SCREW	4931466484	4058546277017
0007	1	DISTANCE HOLDER	4931465130	4058546232306
0008	2	SCREW	660165015	4002395849826
0018	4	SCREW	4931448858	4002395179275
0019	1	BUFFER	4931466483	4058546277000
0026	4	SCREW	4931466482	4058546276997
0027	1	O-RING	4931466481	4058546276980
0033	1	FLANGE	4931435020	4002395856671
0042	6	SCREW	4931461357	4058546035297
0056	1	DUST CAP	4931466485	4058546277024
0062	1	GUARD	4931466526	4058546277437
0063	1	AUXILIARY HANDLE	4931466518	4058546277352
0071	1	GEAR BOX ASSY	4931466490	4058546277079
0072	1	BEVEL GEAR	4931466519	4058546277369
0073	1	MOTOR ASSEMBLY	4931466492	4058546277093
0074	1	RATING PLATE	4931466527	4058546277444
0075	1	FIXTEC NUT	4931466522	4058546277390
0076	1	GUARD	4931466500	4058546277178
0077	1	HOUSING	4931466523	4058546277406
0078	1	ELECTRONIC	4931466524	4058546277413
0079	1	SWITCH	4931466525	4058546277420
0080	1	TERMINAL PLUG	4931466498	4058546277154
0700	1	CARRYING CASE	4931466610	4058546278274