

DPAS-300

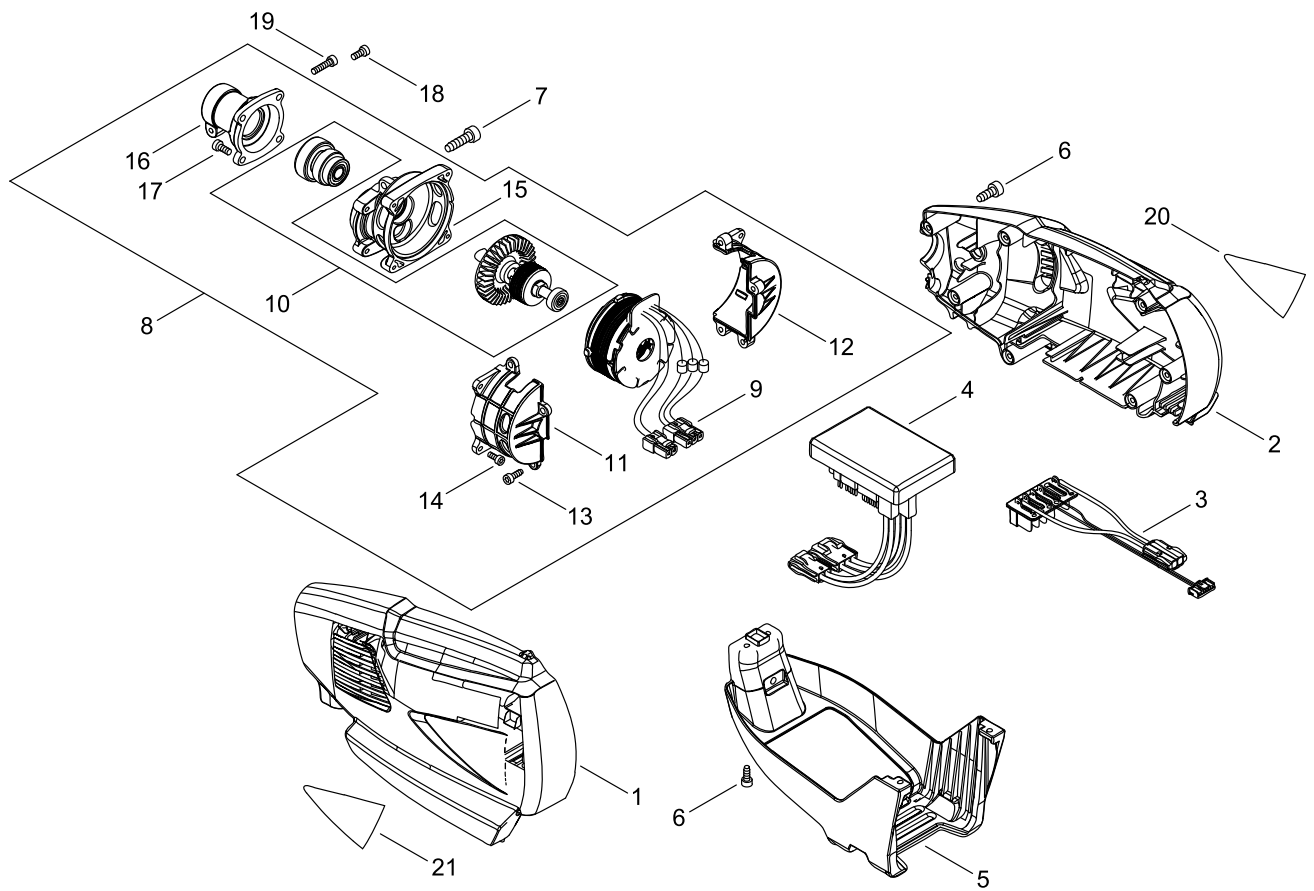
Serial number: 35001001-99999999

Last update date: 01/28/2020

TABLE OF CONTENTS

MOTOR	1
MAIN PIPE, HANDLE	3
THROTTLE	5
ACCESSORIES	7

MOTOR



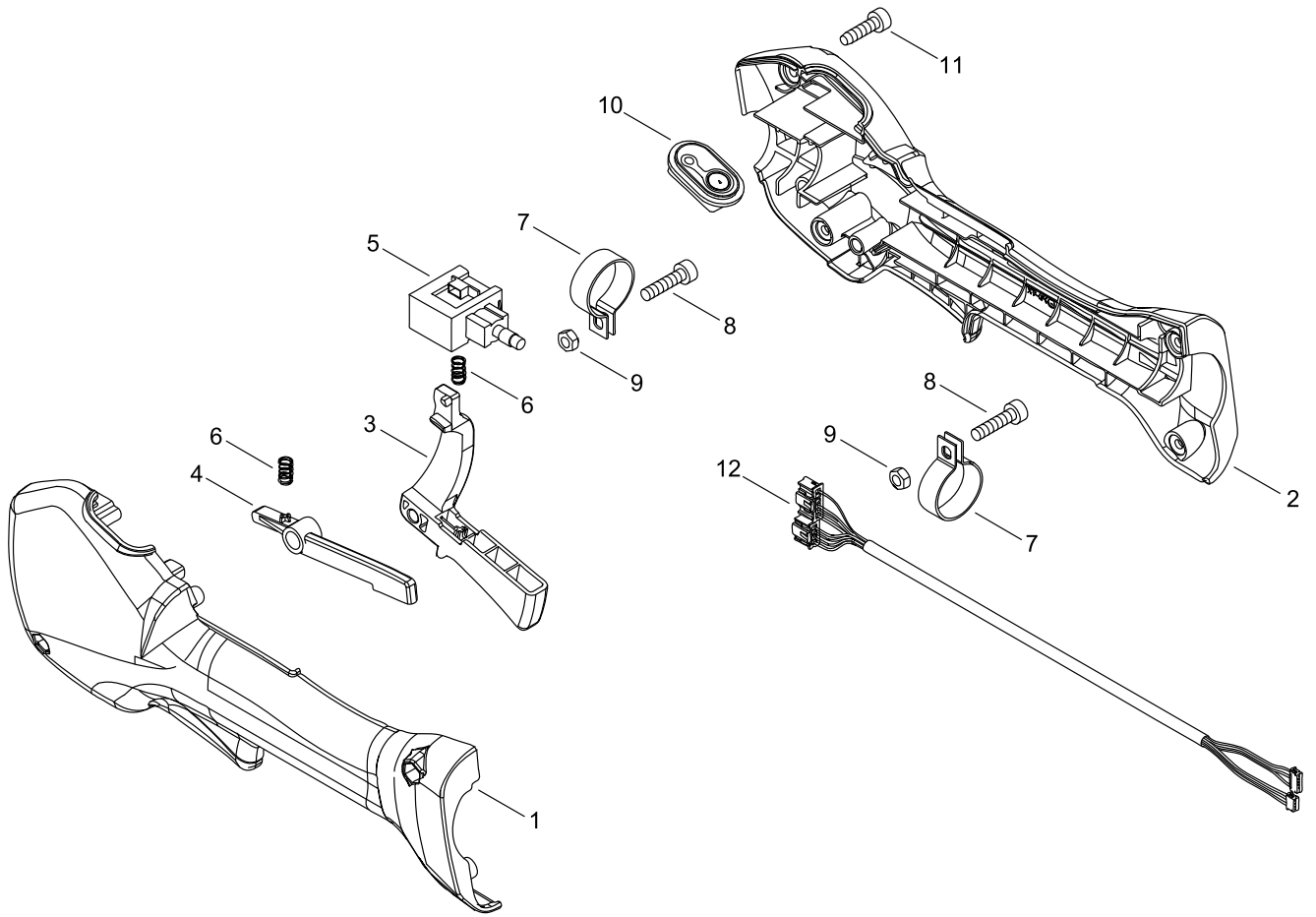
MOTOR

Key No.	LV (+)	Part No	Description	Qty	Standard
1		A539-000320	COVER,MOTOR	1	
2		A539-000330	COVER,MOTOR	1	
3		V486-000490	TERMINAL,LEAD	1	SANYO 56V
4		A047-000350	BOARD,ASM CONTROL	1	
5		A175-000370	STAND	1	
6		V804-000010	BOLT, TORX 4	11	TT-4*16 DG 10.9
7		V805-000010	BOLT, TORX 5	2	TT-5*20 DG 10.9
8		A054-000260	MOTOR,ASM	1	
9	+	A041-000760	STATOR ASSEMBLY	1	P0.95X25
10	+	P100-001860	ROTOR SET	1	
11	+	A538-000320	CASE,MOTOR	1	
12	+	A538-000330	CASE,MOTOR	1	
13	+	V804-000000	BOLT, TORX 4	4	TT-4*12 DG 10.9
14	+	V804-000060	BOLT, TORX 4	4	TB-4*16 10.9
15	+	C531-001070	CASE,GEAR	1	
16	+	A575-000610	FIXTURE, MAIN PIPE	1	
17	+	V805-000150	BOLT, TORX 5	4	TB-5*16 10.9
18		V805-000130	BOLT, TORX 5	1	TB-5*10 10.9
19		V805-000170	BOLT, TORX 5	1	TB-5*25 10.9
20		X503-014820	LABEL,MODEL	1	DPAS-300
21		X503-014830	LABEL,MODEL	1	DPAS-300

MAIN PIPE, HANDLE

Key No.	LV (+)	Part No	Description	Qty	Standard
1		C510-000330	COUPLING, MAIN PIPE	1	FINAL COUPLING
2	+	P100-005150	LATCH ASY	1	
3	+	V299-000660	KNOB,FASTENER	1	M6X1 WING ASS"Y
4	+	91085-06040	BOLT	1	6*40
5	+	V304-000040	WASHER,CIRCULAR 6	1	6.6*20*1.6
6	+	900514-00006	NUT 6	1	6
7	+	V806-000020	BOLT, TORX 6	1	TB-6*25 10.9
8	+	V805-000130	BOLT, TORX 5	1	TB-5*10 10.9
9	+	V312-000010	WASHER,CIRCULAR 18	1	18*21.85*.203
10		C500-000850	PIPE, MAIN	1	
11		C504-001360	SHAFT, DRIVE	1	Φ6
12		900700-00010	E-RING	1	CE-10
13		890152-04930	LABEL, CAUTION	1	
14		610280-54131	COLLAR	1	
15		V804-000020	BOLT, TORX 4	2	TT-4*20 DG 10.9
16		V495-001010	BAND	2	
17		V805-000150	BOLT, TORX 5	2	TB-5*16 10.9
18		C624-000020	HANGER,HARNESS	1	
19		P021-049580	FRONT HANDLE ASY	1	
20	+	C400-001480	HANDLE, FRONT	1	2-SHOT SRM STYLE
21	+	C423-001010	FIXTURE, HANDLE	1	REF C400227-100X
22	+	V805-000050	BOLT, TORX 5	2	TB-5*30 10.9

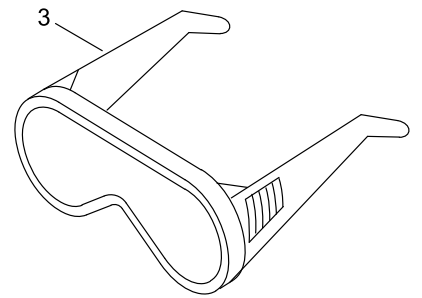
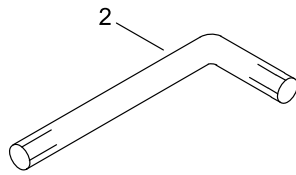
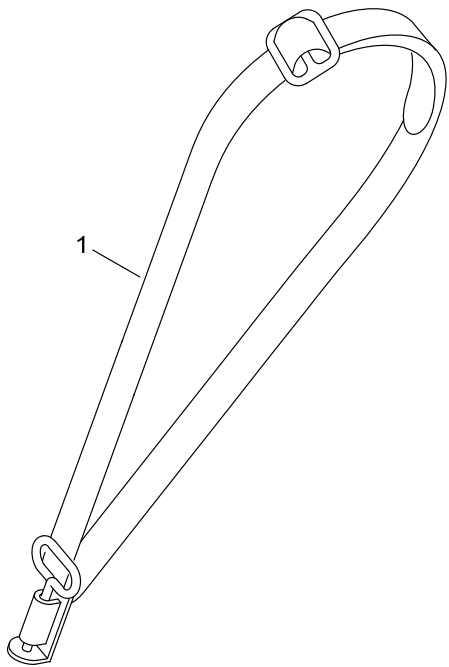
THROTTLE



THROTTLE

Key No.	LV (+)	Part No	Description	Qty	Standard
1		C470-000260	HOLDER,TRIGGER	1	LEFT
2		C470-000270	HOLDER,TRIGGER	1	RIGHT
3		C453-000590	LEVER, THROTTLE	1	
4		C460-000550	LOCKOUT, THROTTLE	1	
5		G334-001830	SWITCH	1	G33407S0080
6		V450-000860	COIL SPRING	2	
7		V495-003020	BAND	2	
8		V805-000150	BOLT, TORX 5	2	TB-5*16 10.9
9		900590-00005	NUT 5 #2	2	5 #2
10		A047-000270	BOARD,ASM CONTROL	1	
11		V804-000010	BOLT, TORX 4	5	TT-4*16 DG 10.9
12		C130-000640	HARNESS, WIRE	1	

ACCESSORIES



ACCESSORIES

Key No.	LV (+)	Part No	Description	Qty	Standard
1		C062-000021	HARNES,SHOULDER	1	
2		X605-000060	TOOL,L WRENCH	1	80*30 T27 2- ENDS
3		X690-000080	GOGGLE	1	SI CHINA, Z87.1

NUMERICAL PARTS INDEX

Part No	Part description	Page	Part No	Part description	Page
610280-54131	COLLAR	4	V805-000010	BOLT, TORX 5	2
890152-04930	LABEL, CAUTION	4	V805-000050	BOLT, TORX 5	4
900514-00006	NUT 6	4	V805-000130	BOLT, TORX 5	2
900590-00005	NUT 5 #2	6	V805-000130	BOLT, TORX 5	4
900700-00010	E-RING	4	V805-000150	BOLT, TORX 5	2
91085-06040	BOLT	4	V805-000150	BOLT, TORX 5	4
A041-000760	STATOR ASSEMBLY	2	V805-000150	BOLT, TORX 5	6
A047-000270	BOARD,ASM CONTROL	6	V805-000170	BOLT, TORX 5	2
A047-000350	BOARD,ASM CONTROL	2	V806-000020	BOLT, TORX 6	4
A054-000260	MOTOR,ASM	2	X503-014820	LABEL,MODEL	2
A175-000370	STAND	2	X503-014830	LABEL,MODEL	2
A538-000320	CASE,MOTOR	2	X605-000060	TOOL,L WRENCH	8
A538-000330	CASE,MOTOR	2	X690-000080	GOGGLE	8
A539-000320	COVER,MOTOR	2			
A539-000330	COVER,MOTOR	2			
A575-000610	FIXTURE, MAIN PIPE	2			
C062-000021	HARNESS,SHOULDER	8			
C130-000640	HARNESS, WIRE	6			
C400-001480	HANDLE, FRONT	4			
C423-001010	FIXTURE, HANDLE	4			
C453-000590	LEVER, THROTTLE	6			
C460-000550	LOCKOUT, THROTTLE	6			
C470-000260	HOLDER,TRIGGER	6			
C470-000270	HOLDER,TRIGGER	6			
C500-000850	PIPE, MAIN	4			
C504-001360	SHAFT, DRIVE	4			
C510-000330	COUPLING, MAIN PIPE	4			
C531-001070	CASE,GEAR	2			
C624-000020	HANGER,HARNESS	4			
G334-001830	SWITCH	6			
P021-049580	FRONT HANDLE ASY	4			
P100-001860	ROTOR SET	2			
P100-005150	LATCH ASY	4			
V299-000660	KNOB,FASTENER	4			
V304-000040	WASHER,CIRCULAR 6	4			
V312-000010	WASHER,CIRCULAR 18	4			
V450-000860	COIL SPRING	6			
V486-000490	TERMINAL,LEAD	2			
V495-001010	BAND	4			
V495-003020	BAND	6			
V804-000000	BOLT, TORX 4	2			
V804-000010	BOLT, TORX 4	2			
V804-000010	BOLT, TORX 4	6			
V804-000020	BOLT, TORX 4	4			
V804-000060	BOLT, TORX 4	2			