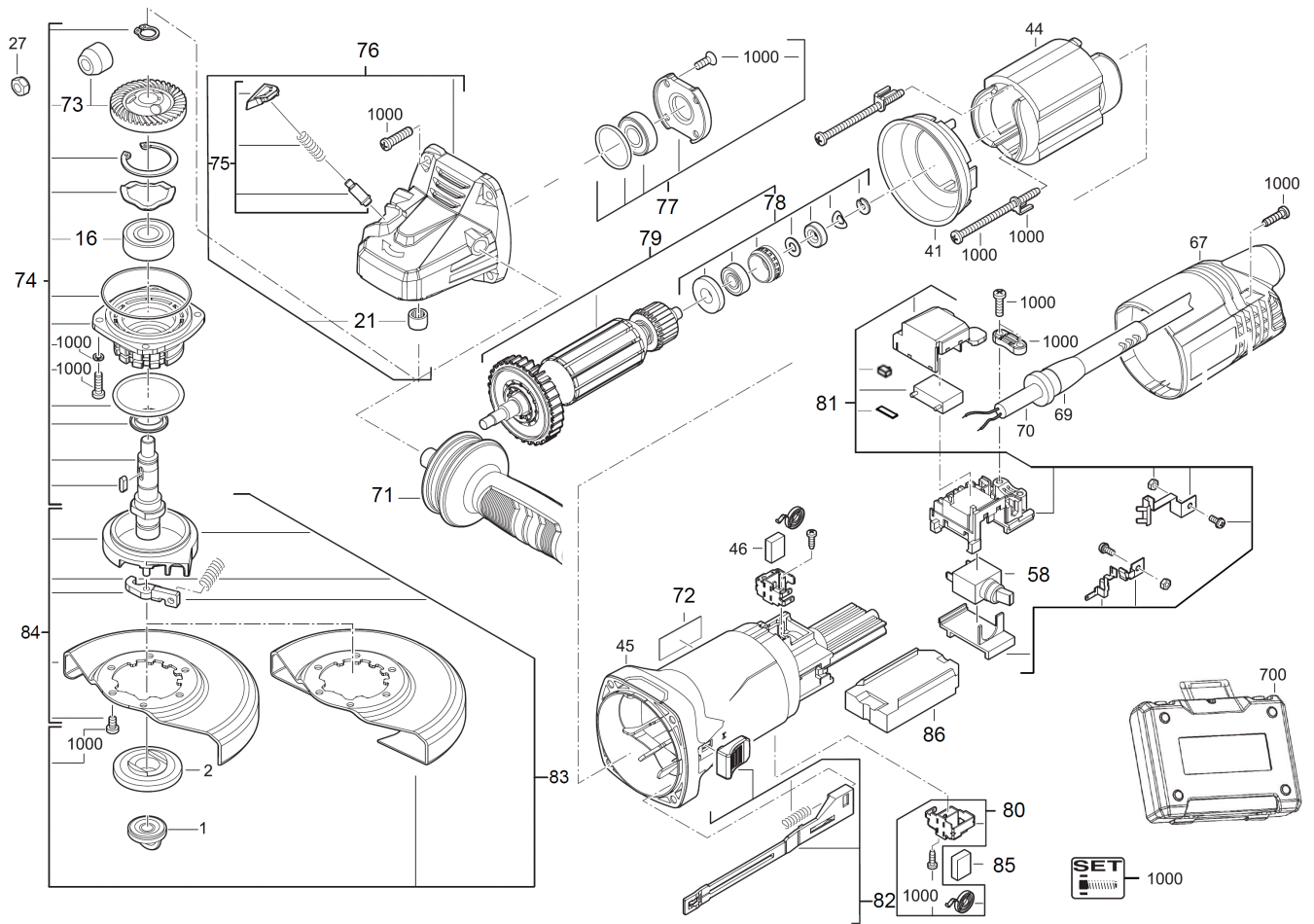


WS13-125SXE ANGLE GRINDER IN2

4935451309 - WS13-125SXE - 4000456158





| Position | Quantity | Description | Part number | EAN |
|----------|----------|---------------------|-------------|---------------|
| 0001 | 1 | FIXTEC NUT M14 P1A | 4932358225 | 4002395325528 |
| 0002 | 1 | FLANGE | 4931453620 | 4002395145942 |
| 0016 | 1 | BALL BEARING | 4931453697 | 4002395146130 |
| 0021 | 1 | NEEDLE BEARING | 4931453616 | 4002395145904 |
| 0027 | 1 | NUT | 4931428715 | 4002395844364 |
| 0041 | 1 | AIR DEFLECTOR RING | 4931428721 | 4002395844425 |
| 0044 | 1 | ELECTRIC FIELD | 4931428755 | 4002395847532 |
| 0045 | 1 | MOTOR HOUSING | 4931453724 | 4002395141418 |
| 0046 | 1 | CARBON BRUSH | 4931428732 | 4002395844531 |
| 0058 | 1 | SWITCH | 4931428762 | 4002395847570 |
| 0067 | 1 | HOUSING | 4931453725 | 4002395141425 |
| 0069 | 1 | PROTECTING COVER | 4931428735 | 4002395844562 |
| 0070 | 1 | CONNECTION CABLE | 4931453726 | 4002395141432 |
| 0071 | 1 | HANDLE | 4931428739 | 4002395844609 |
| 0072 | 1 | RATING PLATE | 4931453731 | 4002395141494 |
| 0073 | 1 | PINION | 4931441558 | 4002395865710 |
| 0074 | 1 | SPINDLE KIT | 4931428712 | 4002395844333 |
| 0075 | 1 | COVER CAP | 4931428714 | 4002395844357 |
| 0076 | 1 | GEAR CASE | 4931428713 | 4002395844340 |
| 0077 | 1 | BEARING KIT | 4931428716 | 4002395844371 |
| 0078 | 1 | BEARING | 4931428753 | 4002395847525 |
| 0079 | 1 | ARMATURE | 4931428752 | 4002395847518 |
| 0080 | 2 | BRUSH HOLDER | 4931428733 | 4002395844548 |
| 0081 | 1 | SWITCH | 4931453733 | 4002395142118 |
| 0082 | 1 | SWITCH LEVER | 4931453729 | 4002395141470 |
| 0083 | 1 | GUARD CAP | 4931428711 | 4002395844326 |
| 0084 | 1 | GUARD ASSY 125MM | 4931428708 | 4002395844272 |
| 0085 | 1 | CARBONBRUSH CUT OFF | 4931428729 | 4002395844500 |
| 0086 | 1 | SWITCH ASSEMBLY | 4931453734 | 4002395142125 |
| 0700 | 1 | CARRYING CASE | 4931453709 | 4002395146857 |
| 1000 | 1 | BOLT SET | 4931428742 | 4002395844630 |