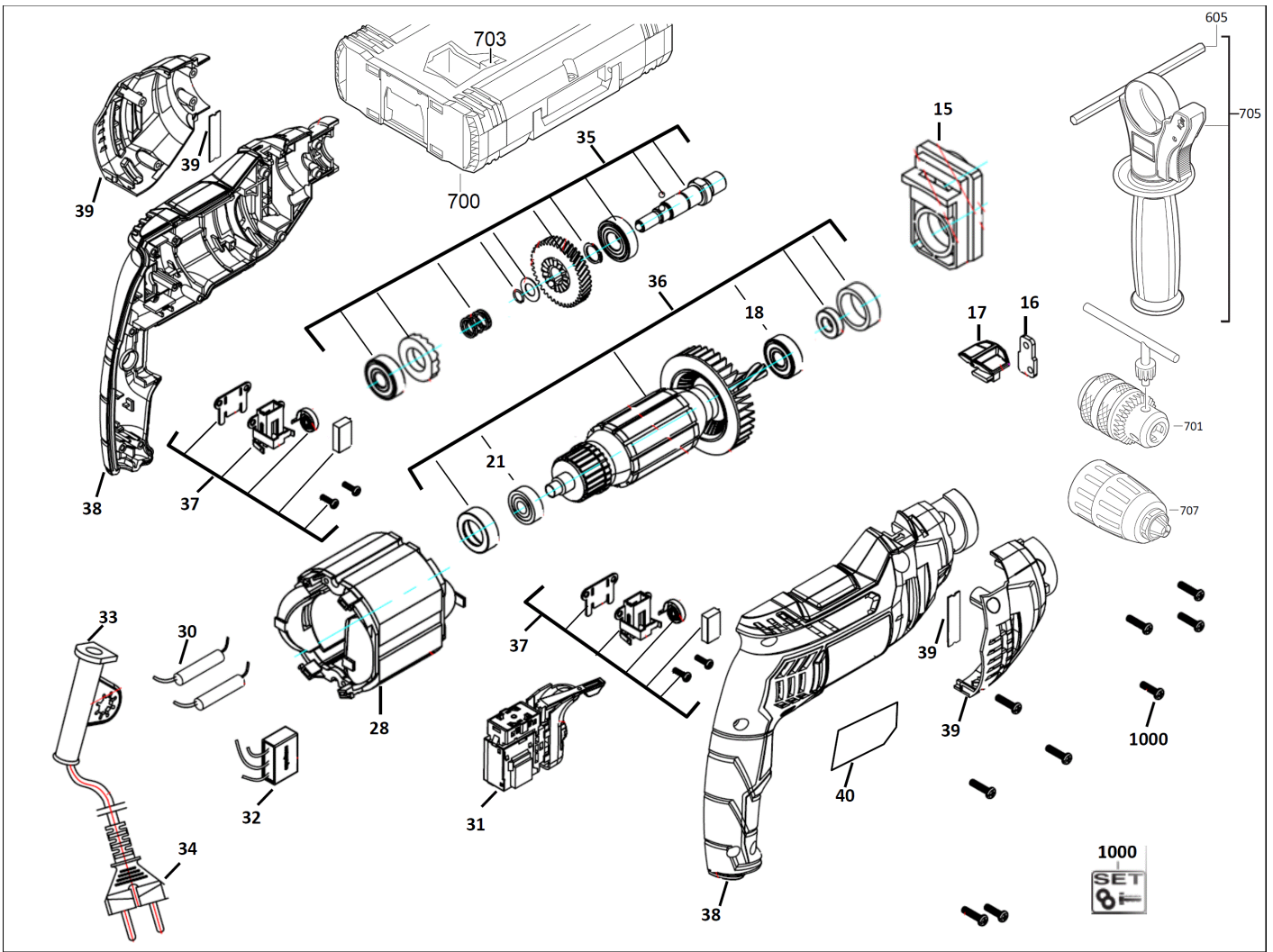


SBE750RZ PERCUSSION DRILL IN2

4935442840 - SBE750RZ EU - 4000442841





Position	Quantity	Description	Part number	EAN
0015	1	BEARING END PLATE	4931441592	4002395871124
0016	1	PLATE	4931441593	4002395871131
0017	1	PUSH BUTTON	4931441594	4002395871148
0018	1	BALL BEARING	4931441599	4002395871179
0021	1	BALL BEARING	4931441604	4002395868407
0028	1	ELECTRIC FIELD	4931449353	4002395257935
0030	1	CHOKING COIL	4931449354	4002395257928
0031	1	SWITCH	4931449355	4002395257911
0032	1	CAPACITOR	4931449448	4002395257225
0033	1	CABLE ENTRY SLEEVE	4931449356	4002395257904
0034	1	CONNECTION CABLE	4931441614	4002395869237
0035	1	Gear Assembly	4931449357	4002395257294
0036	1	ARMATURE	4931441627	4002395869220
0037	1	CARBON BRUSH SET	4931449447	4002395257232
0038	1	HOUSING	4931449358	4002395257287
0039	1	HOUSING COVER	4931449359	4002395257270
0040	1	RATING PLATE	4931442845	4002395882915
0605	1	DEPTH GAUGE	4931254532	4002395586400
0700	1	CARRYING CASE	4931412015	4002395876082
0701	1	THREE JAW CHUCK Ch 1,5-131/2x20 P1M	4932267980	4002395300488
0703	1	INSERT	4931369439	4002395719693
0705	1	AUXILIARY HANDLE	300188082	4002395856398
1000	1	BOLT SET	4931449360	4002395257263