

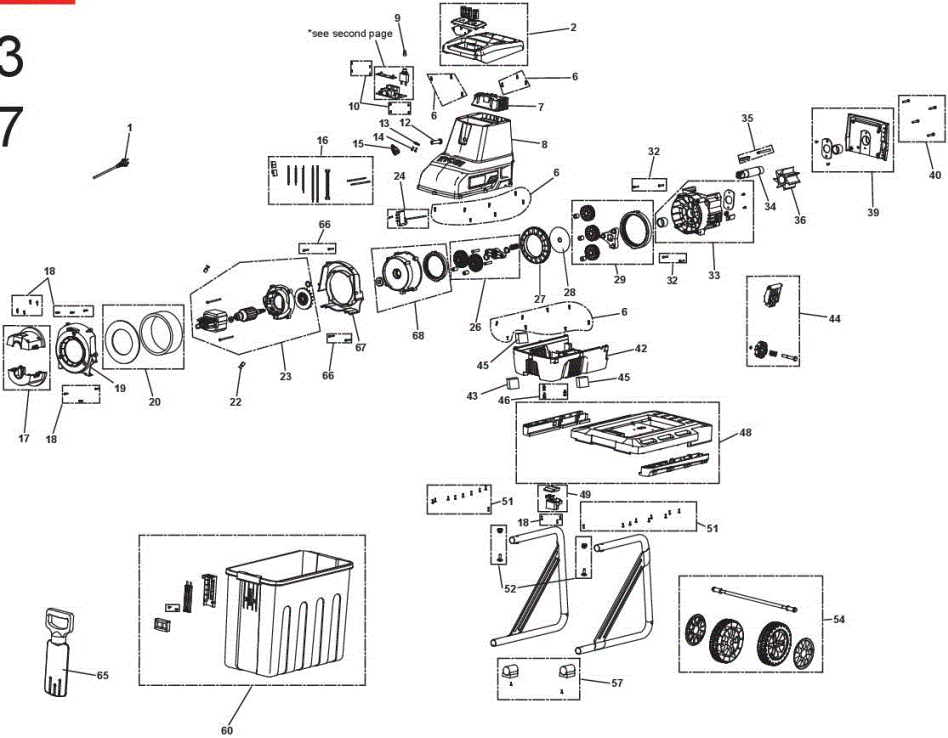
RSH3045U 3000W SILENT SHREDDER IN2

5133004335 - RSH3045U - 4000462837







4000462833
4000462837



PCBA Old : 5131042053
Production Date : 462837 01 000001 to 462837 01 000570

PCBA New : 5131042524
Production Date : 462837 02 000001 to 462837 02 999999 from Week 52/2018 onwards !

PICTURE	REFERENCE	TOOL	SERIAL NUMBER (FROM - TO)	DATE (FROM - TO)	BEZEICHNUNG	
	RSH3045U	4000462837 5133004335	462837 01 000001 – 462837 01 000570	26/10/2018 – 23/12/2018	RSH3045U EL. HAECKSLER IN2	PCBA: Pos. 11 5131042053
	RSH3045U	4000462837 5133004335	462837 02 000001 – 462837 02 999999	24/12/2018 –	RSH3045U EL. HAECKSLER IN2	PCBA: Pos. 11 5131042524

Position	Quantity	Description	Part number	EAN
1001	1	POWER CORD	5131042386	4058546256005
1002	1	COVER	5131042047	4058546252618
1006	21	SCREW	5131042048	4058546252625
1007	1	TRANSITION PIECE	5131042049	4058546252632
1008	1	HOUSING	5131042050	4058546252649
1009	1	GUARD CAP	5131042051	4058546252656
1010	8	SCREW	5131042052	4058546252663
1012	1	CABLE ENTRY SLEEVE	5131042054	4058546252687
1013	1	CABLE CLAMP	5131042055	4058546252694
1014	2	SCREW	5131042056	4058546252700
1015	1	CABLE CLAMP	5131042057	4058546252717
1016	1	CABLE	5131042058	4058546252724
1017	1	HOUSING SET ASSY	5131042059	4058546252731
1018	13	SCREW	5131042060	4058546252748
1019	1	COVER	5131042061	4058546252755
1020	1	SPONGE	5131042062	4058546252762
1022	1	CARBON BRUSH	5131042063	4058546252779
1023	1	MOTOR ASSEMBLY	5131042064	4058546252786
1024	1	SWITCH	5131042065	4058546252793
1026	1	PLANET GEAR	5131042066	4058546252809
1027	1	SPACER	5131042067	4058546252816
1028	1	TOOTHED BELT PULLEY	5131042068	4058546252823
1029	3	PLANET GEAR	5131042069	4058546252830
1032	4	SCREW	5131042070	4058546252847
1033	1	HOUSING SET ASSY	5131042071	4058546252854
1034	1	ADAPTER SHANK	5131042072	4058546252861
1035	1	PARALLEL KEY	5131042073	4058546252878
1036	1	BLADE	5131042044	4058546252588
1039	1	COVER	5131042074	4058546252885
1040	4	SCREW	5131042075	4058546252892
1042	1	HOUSING BOTTOM	5131042076	4058546252908
1043	1	FILTER	5131042077	4058546252915
1044	1	ADJUSTABLE SEGMENT	5131042078	4058546252922
1045	2	FILTER	5131042079	4058546252939
1046	3	SCREW	5131042080	4058546252946
1048	1	SUPPORTING PLATE	5131042081	4058546252953
1049	1	BODY HOUSING + SWITCH	5131042082	4058546252960
1051	18	SCREW	5131042083	4058546252977
1052	2	PIN	5131042084	4058546252984
1054	1	WHEEL SET	5131042085	4058546252991
1057	1	FOOT	5131042086	4058546253004
1060	1	CONTAINER	5131042087	4058546253011
1065	1	PLUNGER RODS	5131042088	4058546253028
1066	4	SCREW	5131042089	4058546253035
1067	1	GUIDE	5131042090	4058546253042
1068	1	GEAR BOX	5131042091	4058546253059
2011	1	ELECTRONIC	5131042053	4058546252670
2011	1	ELECTRONIC	5131042524	4058546257385