



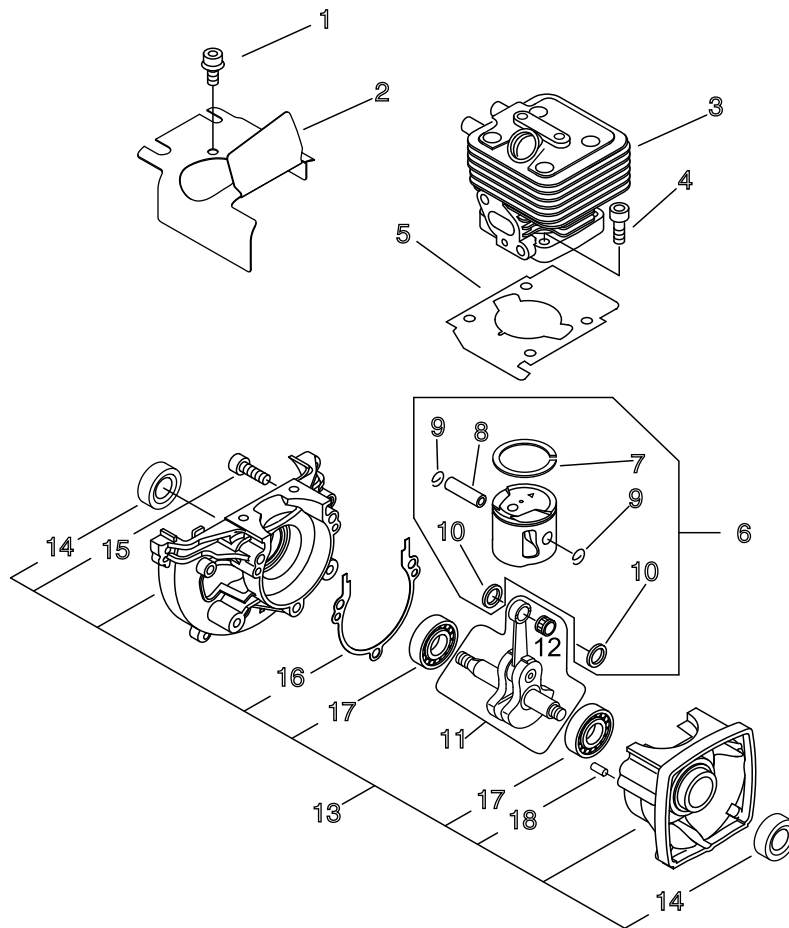
PARTS CATALOGUE

SHRED 'N' VAC ES-255ES(37)

- 37017624

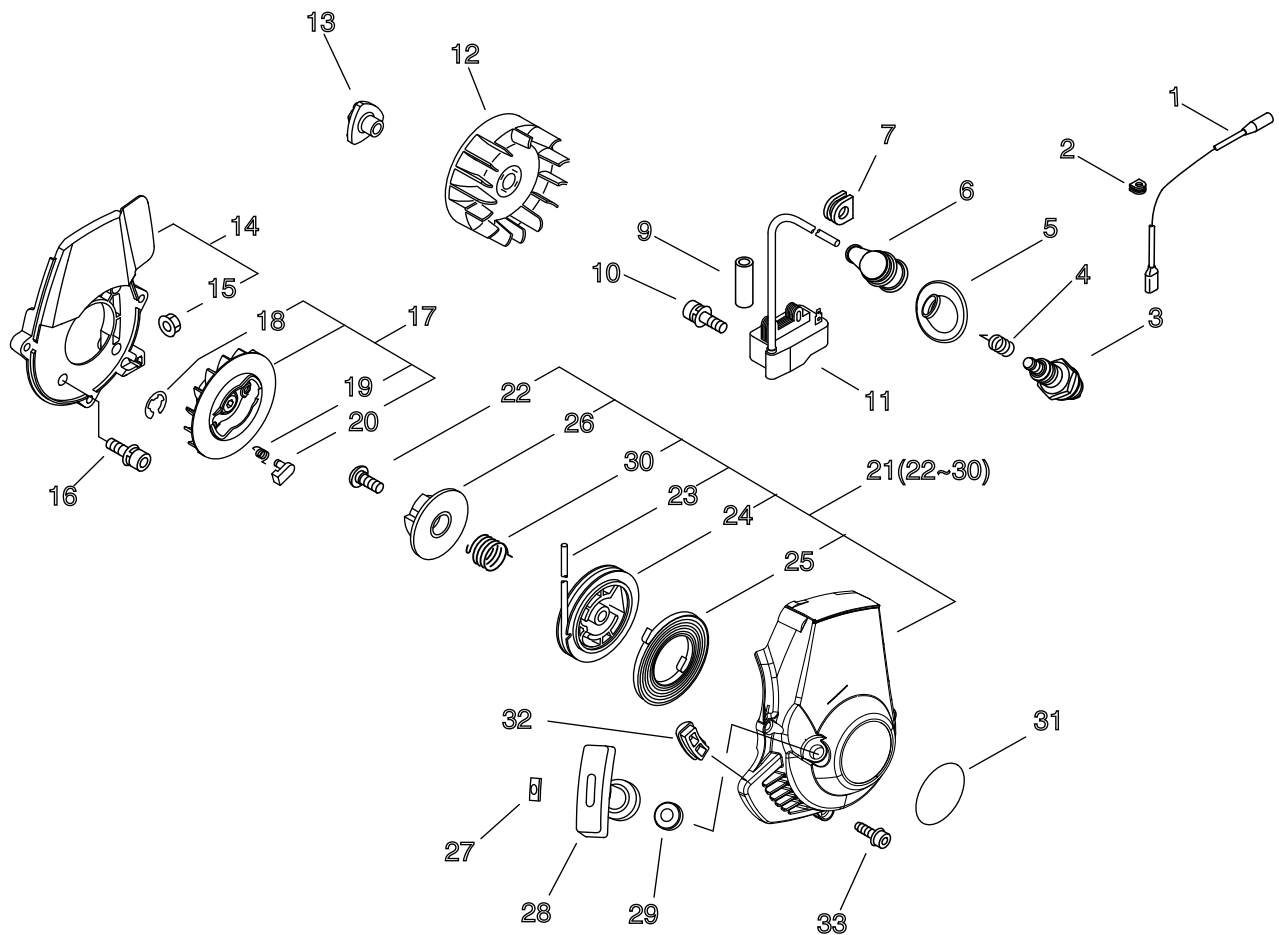
ES-255ES(37)

1. Cylinder, Crankcase, Piston



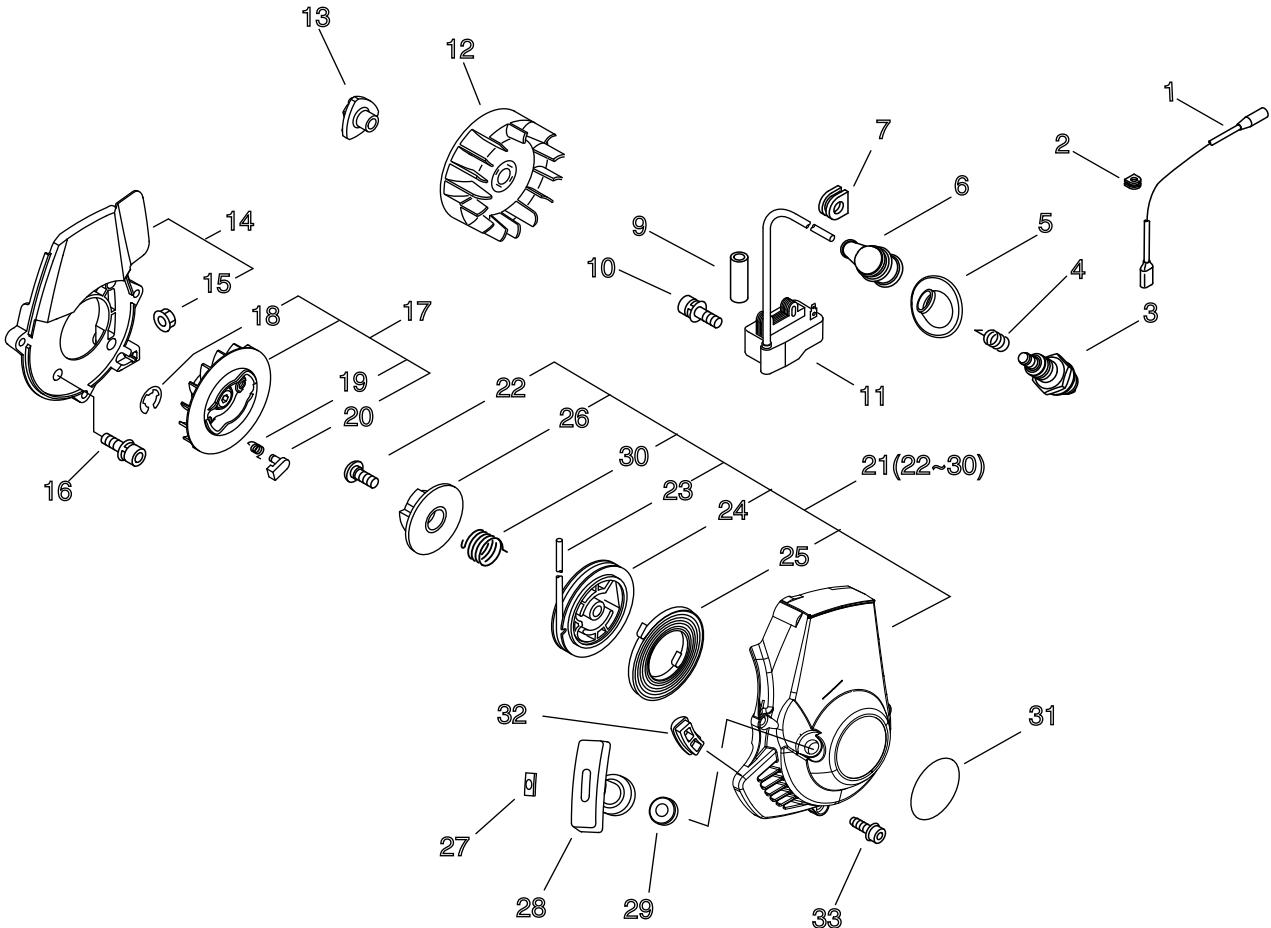
KEY	LV	PART NUMBER	Q'TY	DESCRIPTION	REMARKS	NOTE1	NOTE2
1		900106-05008	2	BOLT, H.S. 5* 8	5*8		
2		A160-000821	1	COVER,CYLINDER			
3		A130-000780	1	CYLINDER			
4		900162-05025	4	BOLT, H.S. 5*25	5*25 W,SW		
5		V100-000190	1	GASKET,CYL			
6		P021-010260	1	PISTON KIT			
7	+	A101-000140	1	RING, PISTON	B1.2 T1.5		
8	+	V606-000000	1	PIN,ENG 8	5*8*28		
9	+	100015-04630	2	CIRCLIP, PISTON PIN			
10	+	100014-11520	2	SPACER, PISTON PIN			
11		A011-000371	1	CRANKSHAFT,ASM			
12	+	V553-000010	1	BEARING,NEEDLE 8	HK0810	Sus. by V553-000060	
13		P021-008231	1	CRANKCASE KIT			
14	+	100212-42031	2	OILSEAL	ISCD 12*22*4.5		
15	+	900162-05028	3	BOLT, H.S. 5*28	5*28 W,SW		
16	+	100242-42030	1	GASKET, CRANKCASE			
17	+	94035-36201	2	BEARING BALL	6201X3JR2C3		
18	+	100215-03930	2	PIN, DOWEL			

2. Starter, Magneto



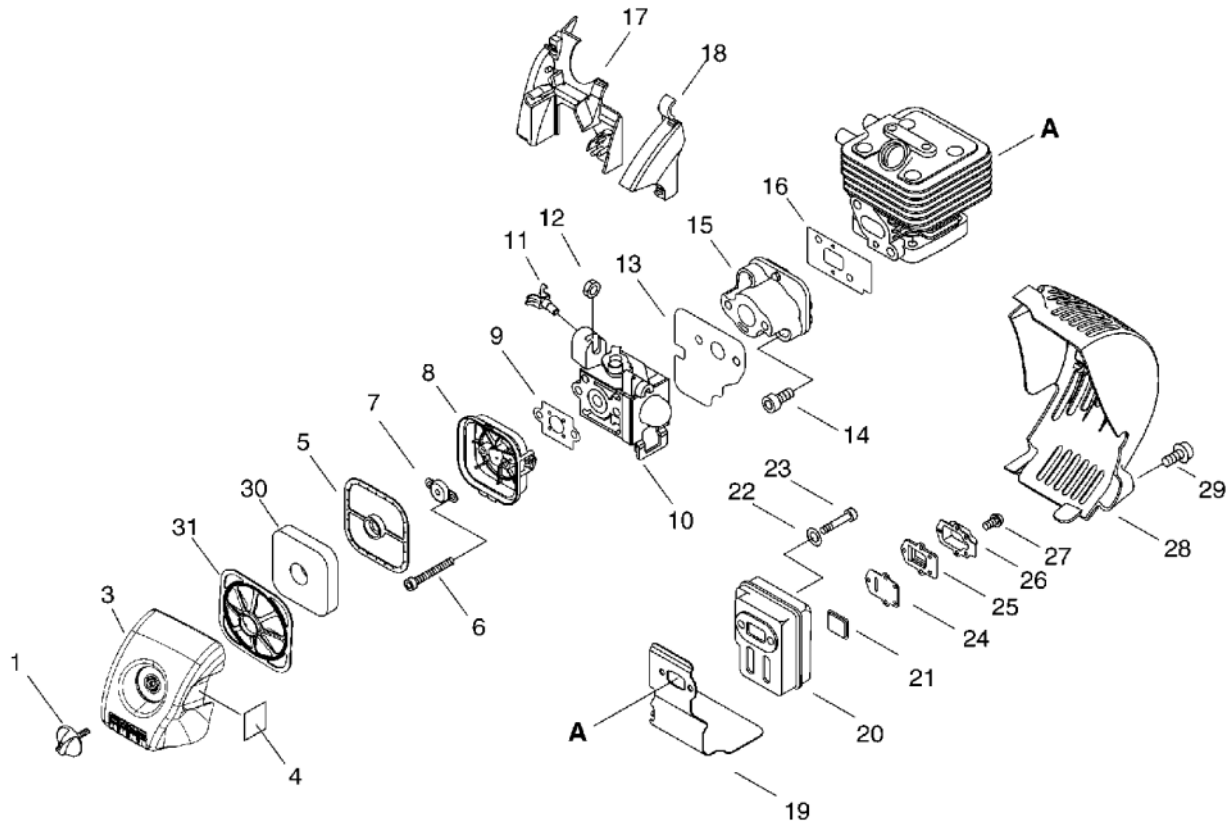
KEY	LV	PART NUMBER	Q'TY	DESCRIPTION	REMARKS	NOTE1	NOTE2
1		V485-000960	1	LEAD			
2		152115-05530	1	BUSHING			
3		A425-000000	1	SPARKPLUG	BPMR8Y		
4		A426-000010	1	TERMINAL,SPARKPLUG			
5		A429-000010	1	COVER,CAP			
6		A427-000012	1	CAP,SPARK PLUG		Sus. by A427-000013	
7		156110-04920	1	BUSHING			
9		V475-003380	1	TUBE			
10		91113-04020	2	BOLT	CM-4*20 SW,W		
11		A411-000290	1	COIL, IGNITION	EMG-60 ID#C10146		
12		A409-000210	1	ROTOR,MAGNETO			
13		E101-000071	1	HUB,FAN	M8*1.25		
14		P021-013780	1	SPACER			
15	+	V263-000070	1	NUT,5			
16	+	900163-04016	4	BOLT HSH			
17		A052-000200	1	PULLEY,ASM STARTER			
18	+	P022-002100	2	E-RING	4		
19	+	177234-12220	2	SPRING, PAWL			
20	+	P022-006850	2	PAWL, STARTER			
21		A051-001180	1	STARTER,RECOIL ASY			
22	+	177236-61830	1	SCREW			
23	+	P022-008260	1	ROPE	3M/M		
24	+	P022-006830	1	DRUM			
25	+	177220-42030	1	SPRING, REWIND			

2. Starter, Magneto



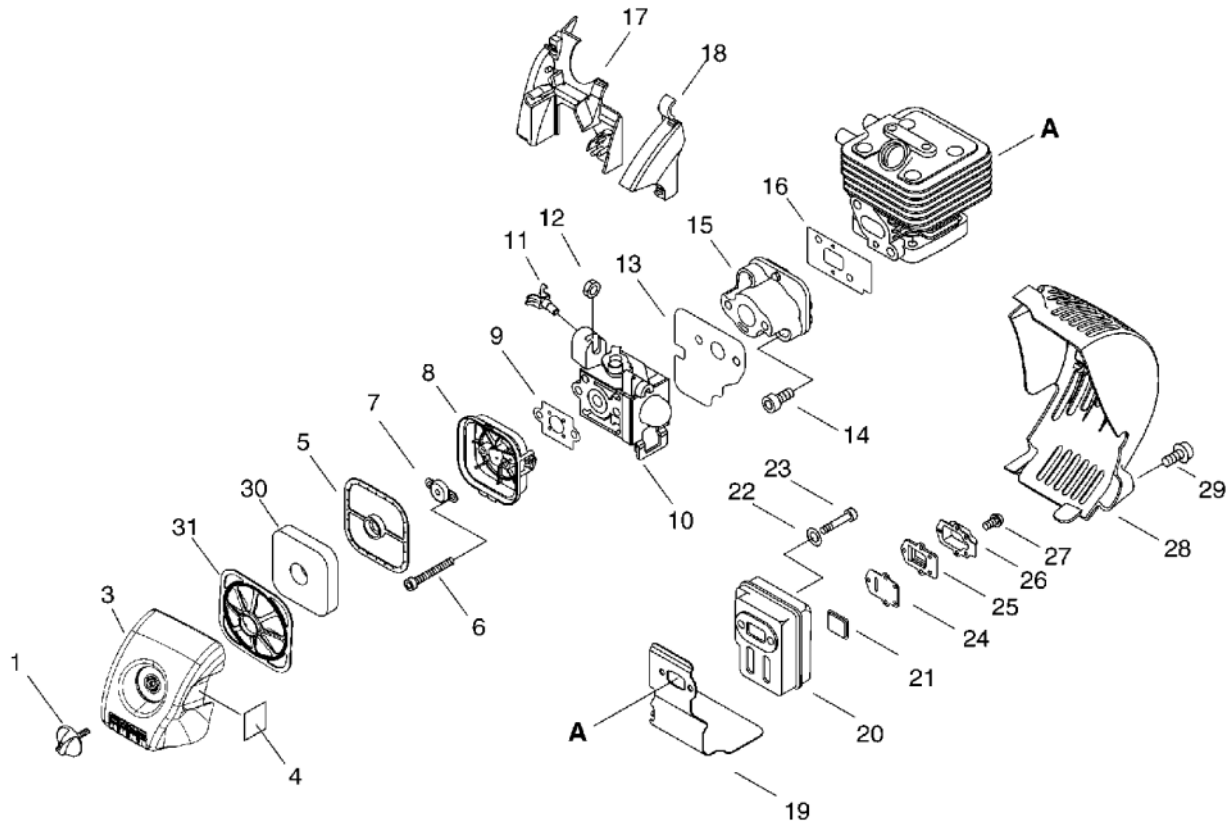
KEY	LV	PART NUMBER	Q'TY	DESCRIPTION	REMARKS	NOTE1	NOTE2
26	+	P022-008280	1	PLATE, CAM			
27	+	177246-11120	1	CLIP, STARTER ROPE			
28	+	177228-27030	1	GRIP, STARTER			
29	+	177227-42030	1	GUIDE, ROPE			
30	+	P022-008270	1	SPRING,DAMPER			
31		X502-000330	1	LABEL,ECHO	ECHO		
32		V420-001440	1	CUSHION			
33		900106-05014	3	BOLT, H.S. 5*14	5*14		

3. Air Cleaner, Carbuertor, Muffler(Sr/Nr 37005785 and befor)



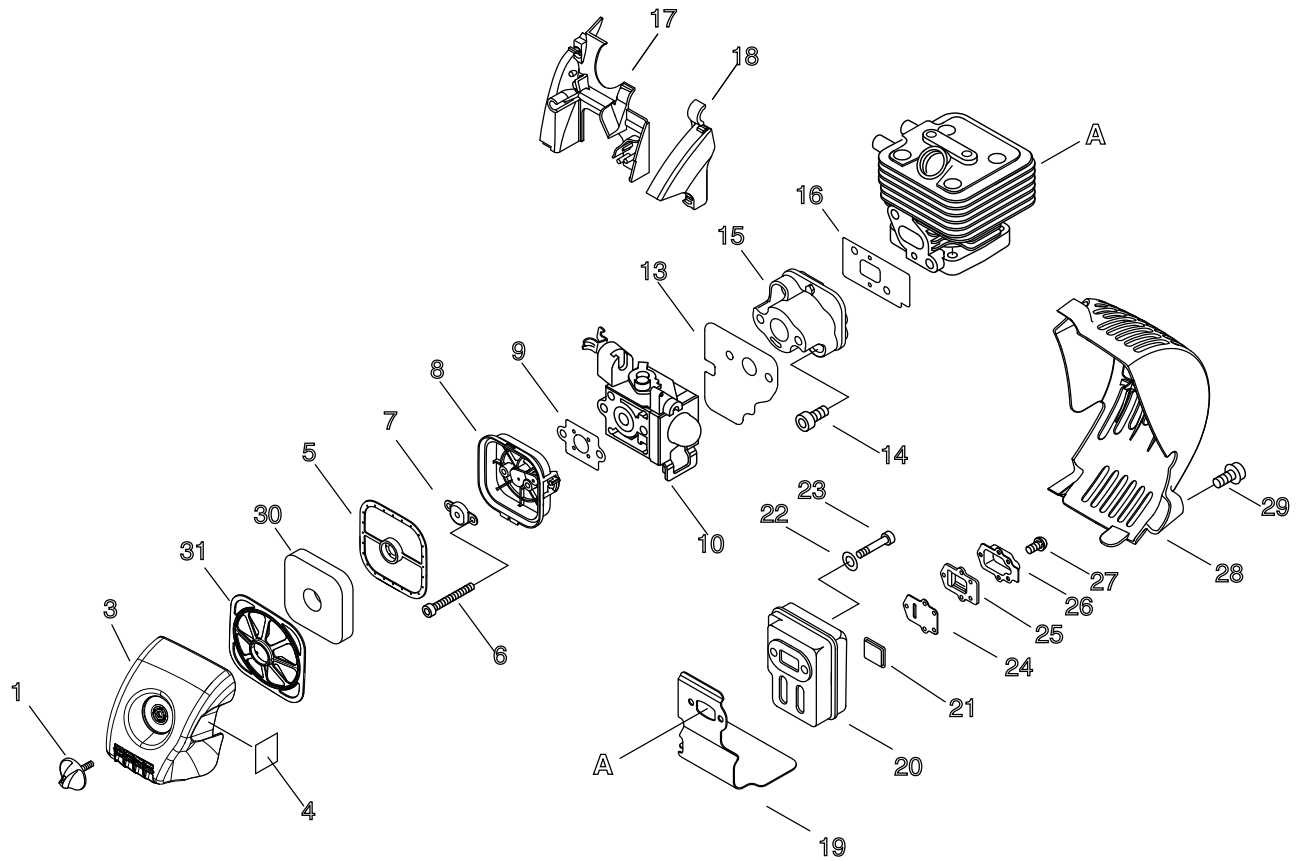
KEY	LV	PART NUMBER	Q'TY	DESCRIPTION	REMARKS	NOTE1	NOTE2
1		V299-000250	1	KNOB,FASTENER			
3		A232-000440	1	LID,CLEANER			
4		X506-000090	1	LABEL,CHOKE			
5		A226-000350	1	ELEMENT, AIR FILTER			
6		900105-05060	2	BOLT, H.S. 5*60	5*60		
7		A244-000070	1	PLATE,PREVENT			
8		P021-010980	1	CLEANER CASE ASY			
9		130016-42031	1	GASKET, INTAKE			
10		A021-001350	1	CARBURETOR,DIAPHRAGM	RB-X1567B	Sr/Nr 37005785 and before	
11		C480-000070	1	GUIDE, CABLE		Sr/Nr 37005785 and before	
12		V264-000050	1	NUT,6	M6*0.75*H2.5	Sr/Nr 37005785 and before	
13		V103-000400	1	GASKET,INTAKE			
14		900162-05025	2	BOLT, H.S. 5*25	5*25 W,SW		
15		A200-000280	1	INSULATOR, INTAKE			
16		V103-000390	1	GASKET,INTAKE			
17		A160-000830	1	COVER,CYLINDER			
18		C459-000010	1	COVER,THROTTLE			
19		V104-000820	1	GASKET,EXHAUST	NP7002		
20		A300-000141	1	MUFFLER,EXHAUST			
21		A310-000070	1	SCREEN, ARRESTOR	22*28*3		
22		900603-00005	2	WASHER 5	5.5*12*0.8		
23		V203-000190	2	BOLT,5	AN A2-70		
24		V104-000830	1	GASKET,EXHAUST			

3. Air Cleaner, Carbuertor, Muffler(Sr/Nr 37005785 and befor)



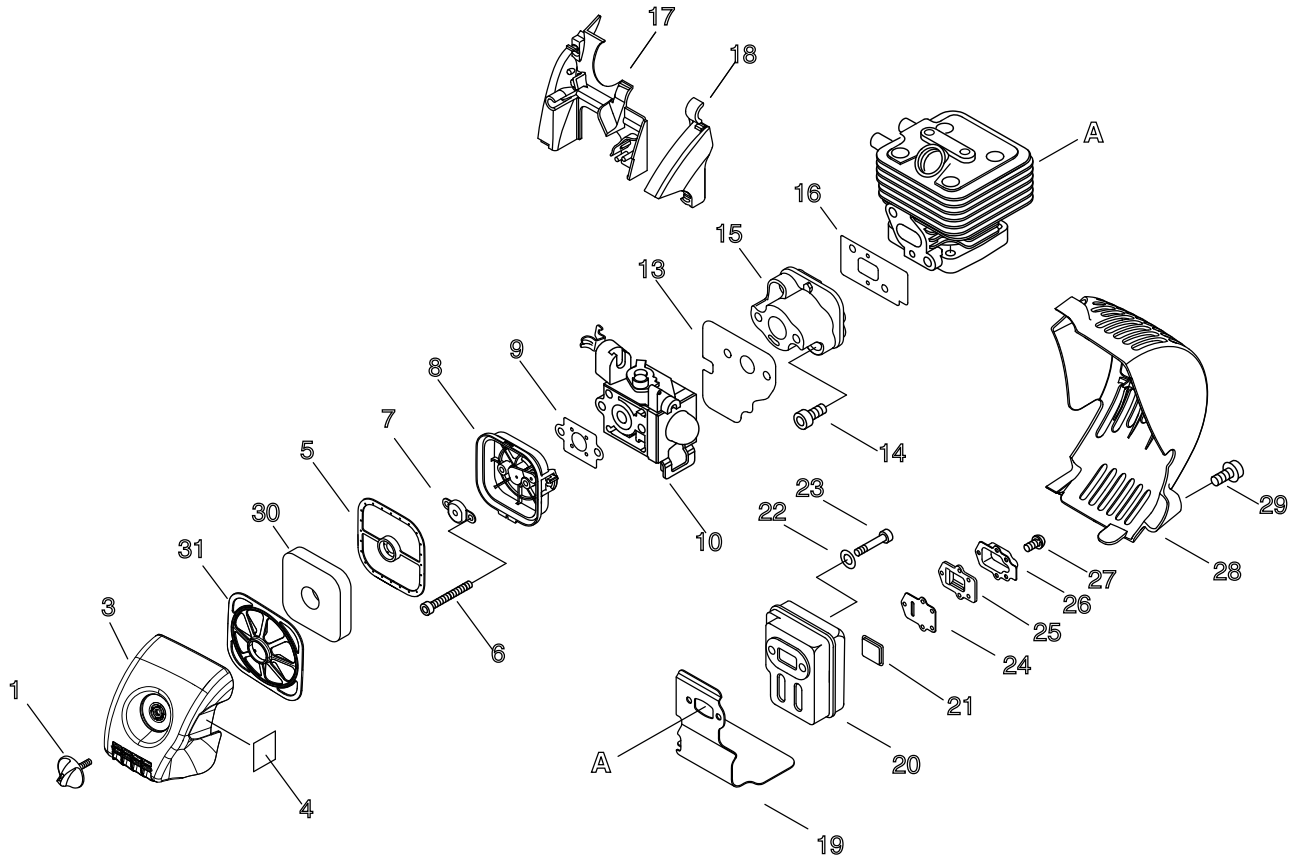
KEY	LV	PART NUMBER	Q'TY	DESCRIPTION	REMARKS	NOTE1	NOTE2
25		A313-000910	1	GUIDE, EXHAUST			
26		A313-000920	1	GUIDE, EXHAUST			
27		91367-04010	5	SCREW	4*10/SW(SUS)		
28		P021-011200	1	COVER,MUFFLER KIT			
29		900106-05014	2	BOLT, H.S. 5*14	5*14		
30		A226-000370	1	ELEMENT, AIR FILTER			
31		A227-000000	1	PLATE, ELEMENT			

4. Air Cleaner, Carbuertor, Muffler(Sr/Nr 37005786 and after)



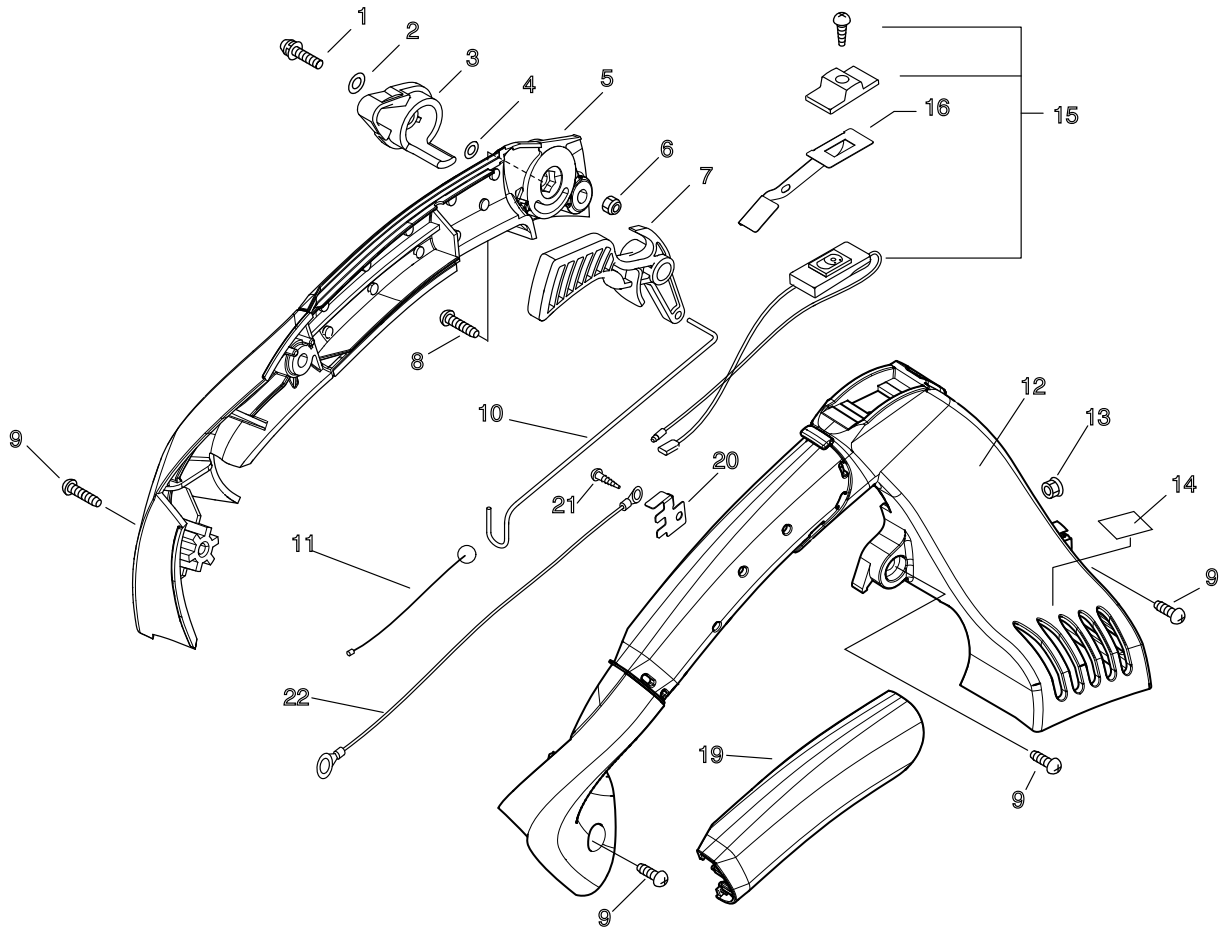
KEY	LV	PART NUMBER	Q'TY	DESCRIPTION	REMARKS	NOTE1	NOTE2
1		V299-000250	1	KNOB,FASTENER			
3		A232-000440	1	LID,CLEANER			
4		X506-000090	1	LABEL,CHOKE			
5		A226-000350	1	ELEMENT, AIR FILTER			
6		900105-05060	2	BOLT, H.S. 5*60	5*60		
7		A244-000070	1	PLATE,PREVENT			
8		P021-010980	1	CLEANER CASE ASY			
9		130016-42031	1	GASKET, INTAKE			
10		A021-001590	1	CARBURETOR,DIAPHRAGM		Sr/Nr 37005786 and after	
13		V103-000400	1	GASKET,INTAKE			
14		900162-05025	2	BOLT, H.S. 5*25	5*25 W,SW		
15		A200-000280	1	INSULATOR, INTAKE			
16		V103-000390	1	GASKET,INTAKE			
17		A160-000830	1	COVER,CYLINDER			
18		C459-000010	1	COVER,THROTTLE			
19		V104-000820	1	GASKET,EXHAUST	NP7002		
20		A300-000141	1	MUFFLER,EXHAUST			
21		A310-000070	1	SCREEN, ARRESTOR	22*28*3		
22		900603-00005	2	WASHER 5	5.5*12*0.8		
23		V203-000190	2	BOLT,5	AN A2-70		
24		V104-000830	1	GASKET,EXHAUST			
25		A313-000910	1	GUIDE, EXHAUST			
26		A313-000920	1	GUIDE, EXHAUST			
27		91367-04010	5	SCREW	4*10/SW(SUS)		
28		P021-011200	1	COVER,MUFFLER KIT			

4. Air Cleaner, Carbuertor, Muffler(Sr/Nr 37005786 and after)



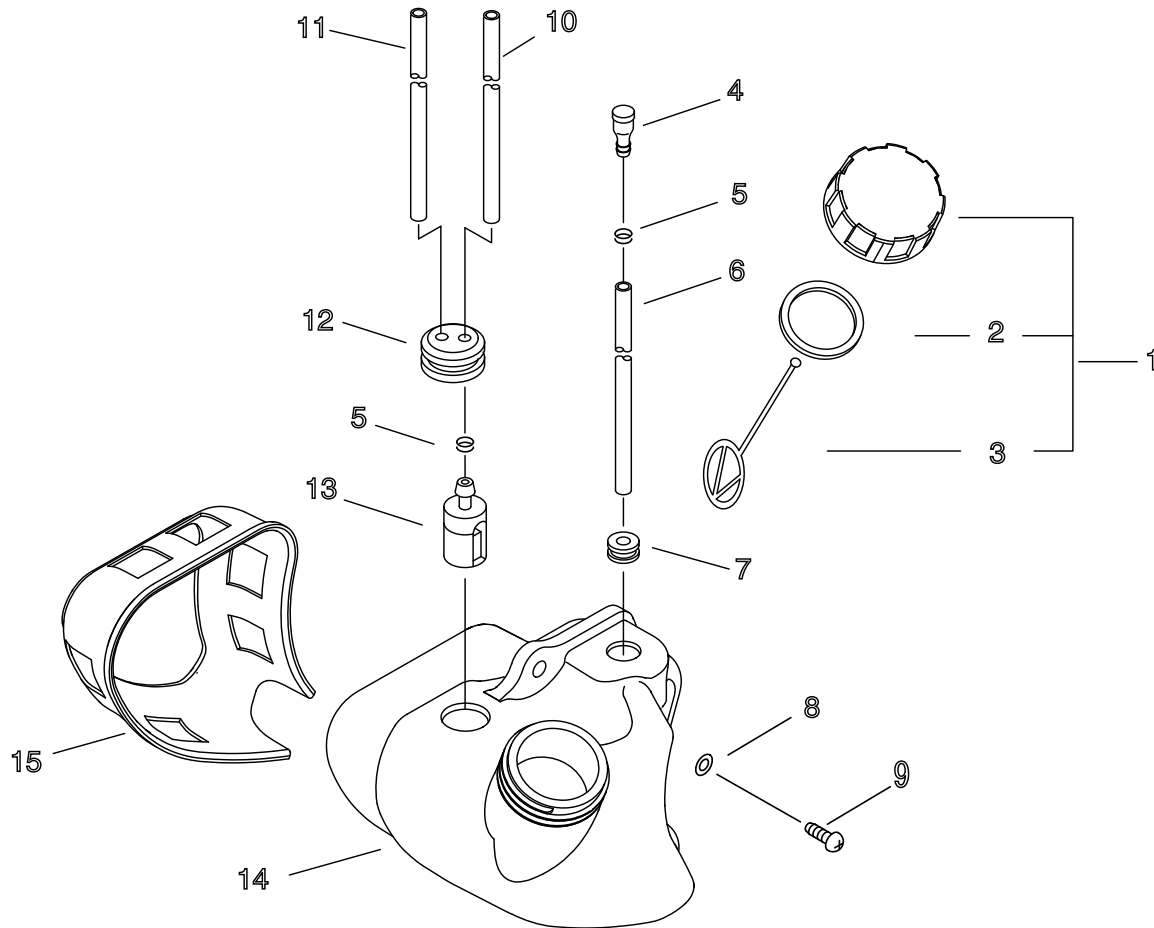
KEY	LV	PART NUMBER	Q'TY	DESCRIPTION	REMARKS	NOTE1	NOTE2
29		900106-05014	2	BOLT, H.S. 5*14	5*14		
30		A226-000370	1	ELEMENT, AIR FILTER			
31		A227-000000	1	PLATE, ELEMENT			

5. Handle



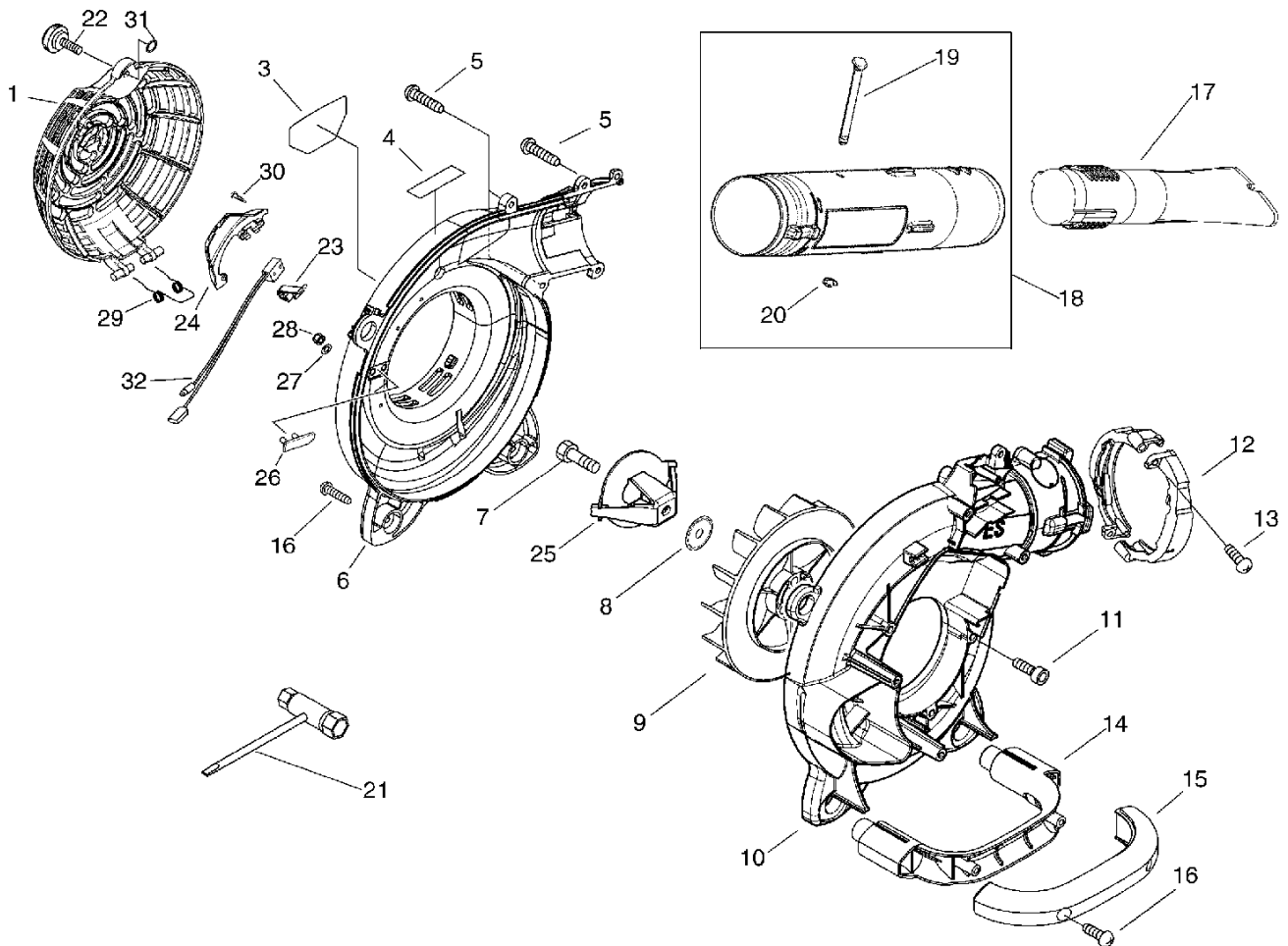
KEY	LV	PART NUMBER	Q'TY	DESCRIPTION	REMARKS	NOTE1	NOTE2
1		900238-05025	1	SCREW 5*25	5*25		
2		900602-00005	1	WASHER 5	5.3*10*1		
3		C453-000260	1	LEVER, THROTTLE			
4		900603-00005	1	WASHER 5	5.5*12*0.8		
5		C411-000020	1	LID,HANDLE		Sus. by C411-000021	
5		C411-000021	1	LID,HANDLE			
6		900562-50005	1	LOCKNUT 5	5		
7		C450-000241	1	CONTROL, THROTTLE			
8		900253-05025	1	SCREW 5*25	5*25		
9		900253-05020	4	SCREW 5*20	5*20		
10		C454-000130	1	ROD, THROTTLE			
11		V431-000000	1	CABLE,INNER			
12		C400-000490	1	HANDLE, FRONT			
13		V263-000070	1	NUT,5			
14		X505-002310	1	LABEL,CAUTION	HOT CAUTION		
15		A440-001010	1	SWITCH, ON OFF			
16		V486-000110	1	TERMINAL,LEAD			
19		C412-000150	1	GRIP, HANDLE			
20		V486-000120	1	TERMINAL,LEAD			
21		900253-04010	1	SCREW 4*10	4*10		
22		V485-000370	1	LEAD			

6. Fuel tank



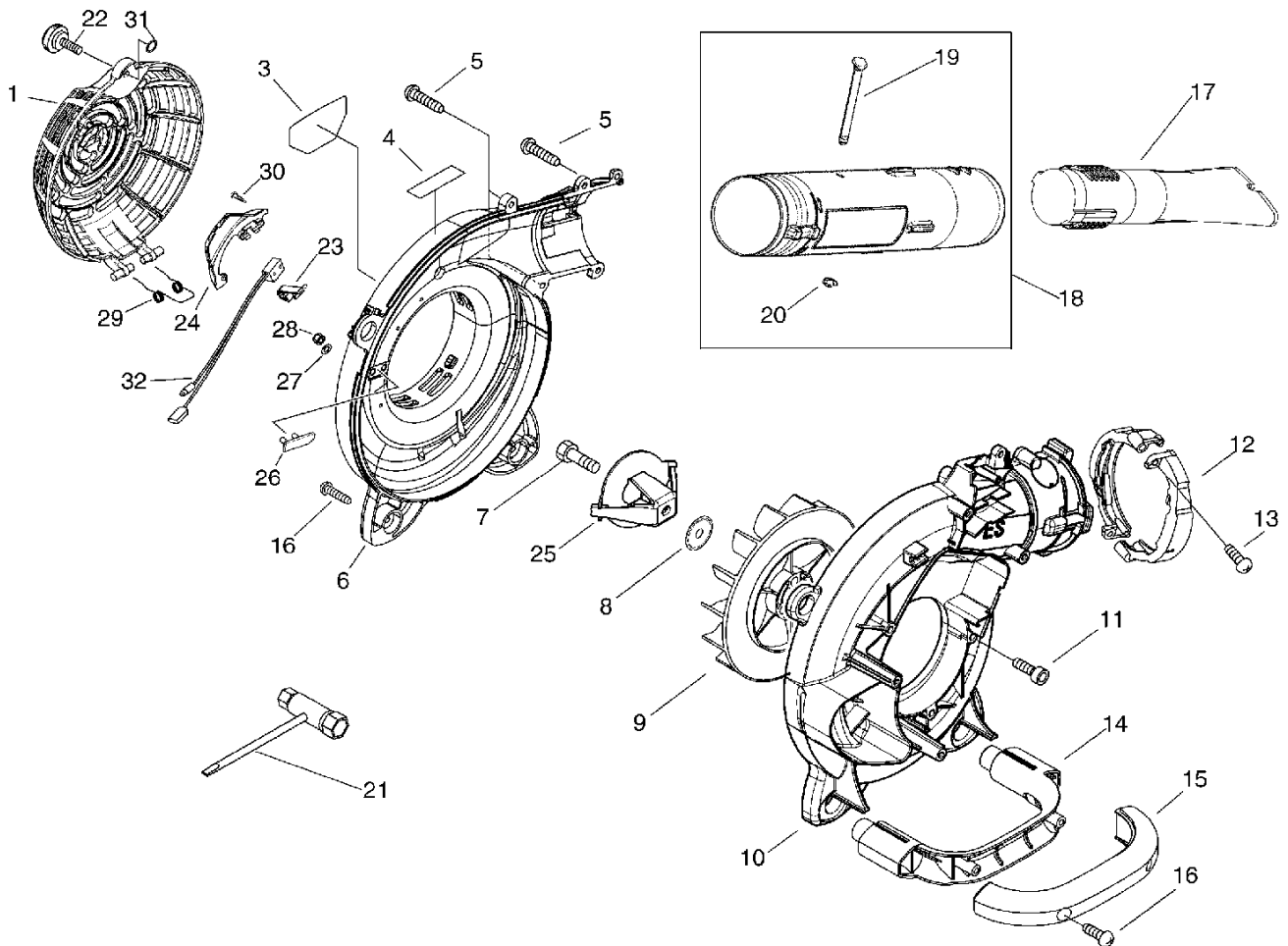
KEY	LV	PART NUMBER	Q'TY	DESCRIPTION	REMARKS	NOTE1	NOTE2
1		131004-55530	1	CAP ASSY, FUEL TANK			
2	+	131016-55830	1	GASKET, FUEL CAP			
3	+	131051-56030	1	CLIP, FUEL CAP	100L		
4		A356-000030	1	VALVE,CHECK			
5		132013-09820	2	CLIP	6MM		
6		V471-001220	1	PIPE	3*5*50 NBR		
7		132115-01461	1	GROMMET			
8		900603-00005	2	WASHER 5	5.5*12*0.8		
9		900253-05020	2	SCREW 5*20	5*20		
10		V471-001860	1	PIPE	3*5*175		
11		132010-49730	1	PIPE 3*6*85	3*6*85 YL		
12		132115-44330	1	GROMMET			
13		131205-07320	1	STRAINER, FUEL			
14		A350-000550	1	TANK, FUEL			
15		V420-001430	1	CUSHION			

7. Fan Case, Blower Pipe(Sr/Nr 37009331 and befor)



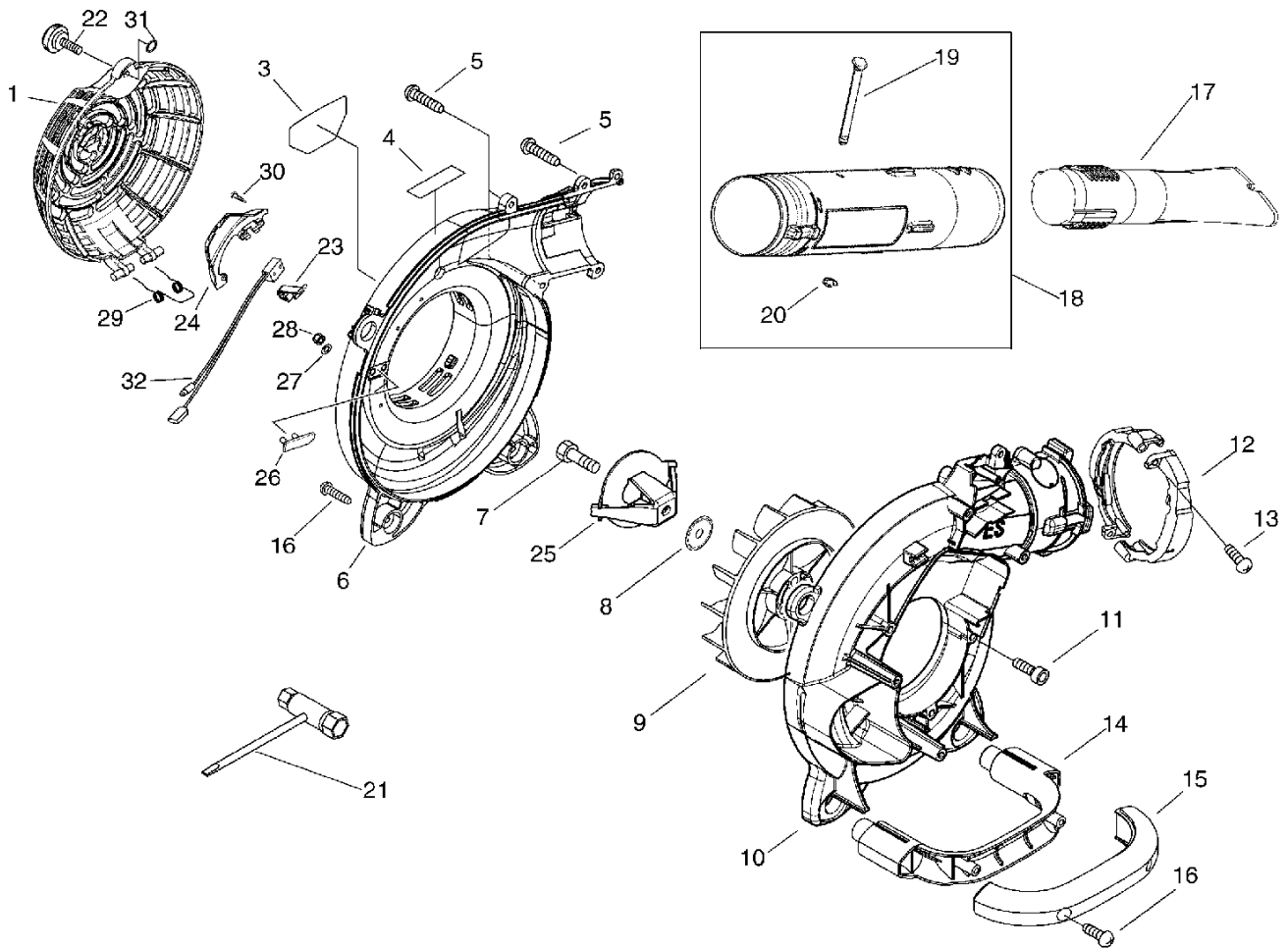
KEY	LV	PART NUMBER	Q'TY	DESCRIPTION	REMARKS	NOTE1	NOTE2
1		E104-000090	1	GRID, BLOWER			
3		X547-000870	1	LABEL,ECHO	ES-255ES		
4		X505-002080	1	LABEL,CAUTION			
5		900253-05020	7	SCREW 5*20	5*20		
6		E103-000490	1	CASE,FAN			
7		900105-08015	1	BOLT, H.S. 8*15	8*15		
8		100143-19830	1	WASHER	8.2*31*0.8		
9		E100-000063	1	FAN,BLOWER		Sus. by E100-000064	
10		E103-000500	1	CASE,FAN		Sus. by E103-000501	
10		E103-000501	1	CASE,FAN			
11		900162-04020	4	BOLT, H.S. 4*20	4*20 W,SW		
12		E162-000000	2	FIXTURE, BLOW PIPE			
13		900253-05020	2	SCREW 5*20	5*20		
14		C410-000390	1	HANDLE, REAR		Sus. by C410-000391	
15		C410-000400	1	HANDLE, REAR			
16		900253-05020	2	SCREW 5*20	5*20		
17		E165-000190	1	PIPE,BLOWER		Sr/Nr 37009331 and befor	Sus. by E165-000191
18		E165-000210	1	PIPE,BLOWER			
19	+	E178-000050	1	GUARD,PIPE			
20	+	V583-000080	1	RING	CE-5		

7. Fan Case, Blower Pipe(Sr/Nr 37009331 and befor)



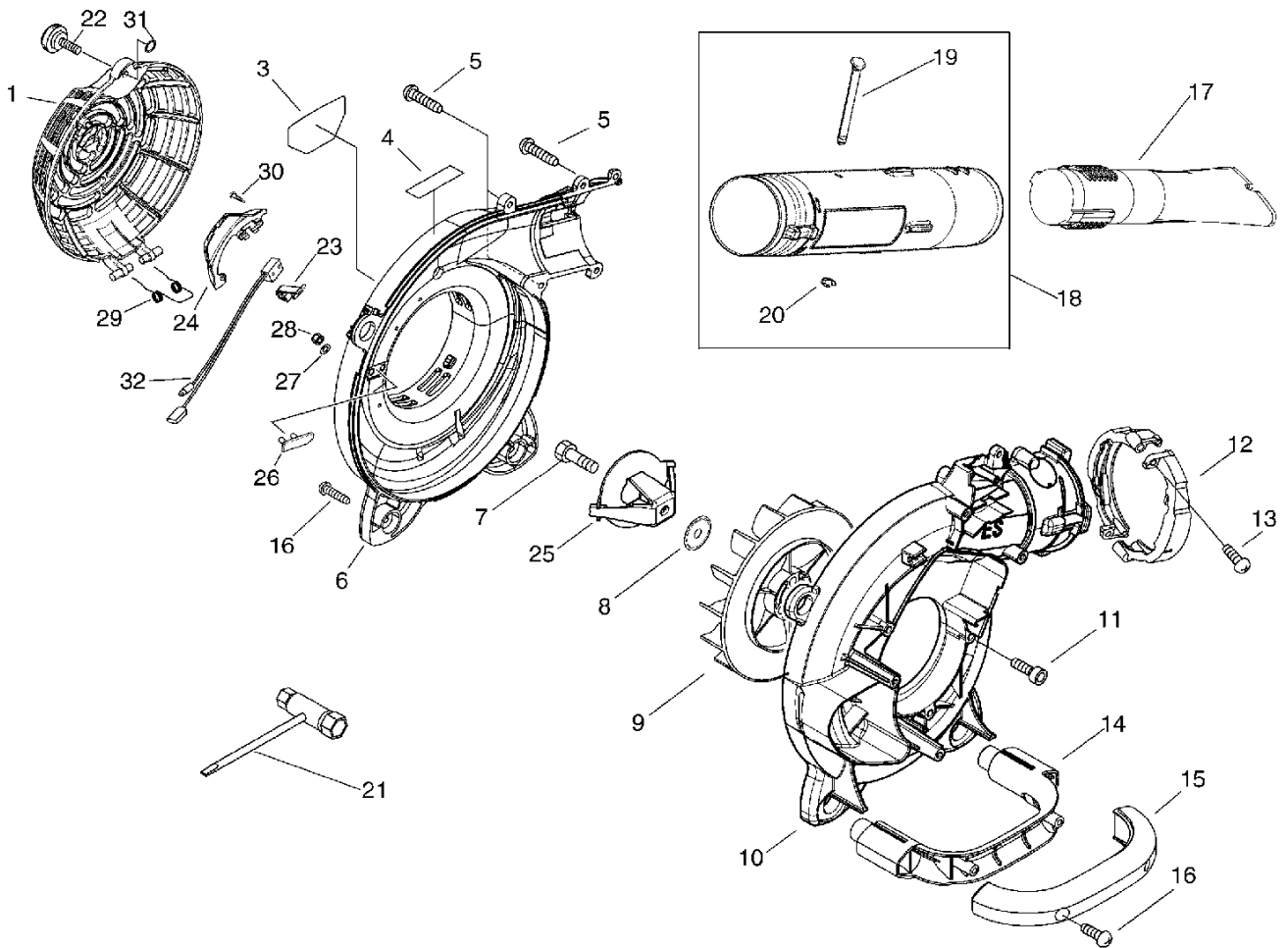
KEY	LV	PART NUMBER	Q'TY	DESCRIPTION	REMARKS	NOTE1	NOTE2
21		895410-06960	1	WRENCH, W/S-DRIVER			
22		V299-000290	1	KNOB,FASTENER	1 KNOB M5X0.8		
23		A446-000000	1	LEVER, ACTUATOR			
24		A473-000020	1	LID, SWITCH CASE			
25		X413-000030	1	CUTTER, SHREDDER		Sus. by X413-000031	
25		X413-000031	1	CUTTER, SHREDDER		Sr/Nr 37010392 and before	
26		X413-000020	1	CUTTER, SHREDDER			
27		900603-00005	2	WASHER 5	5.5*12*0.8		
28		900562-50005	2	LOCKNUT 5	5		
29		V452-000370	1	SPRING, TORSION			
30		900256-04016	3	SCREW 4*16	4*16		
31		900720-00003	1	O-RING P-3	P-3		
32		A045-000170	1	SWITCH, ON OFF			

8. Fan Case, Blower Pipe(Sr/Nr 37009332 to 37010392)



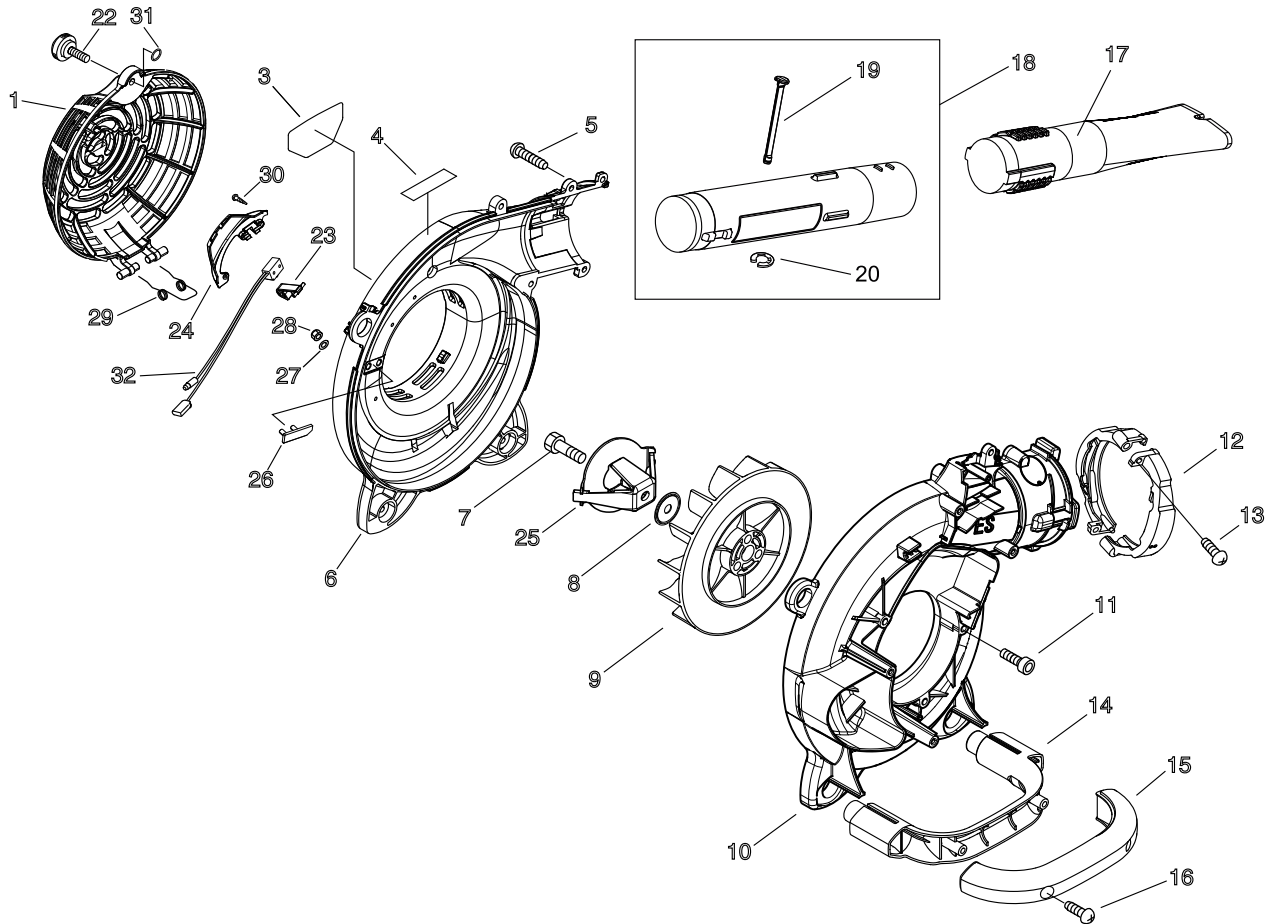
KEY	LV	PART NUMBER	Q'TY	DESCRIPTION	REMARKS	NOTE1	NOTE2
1		E104-000090	1	GRID, BLOWER			
3		X547-000870	1	LABEL,ECHO	ES-255ES		
4		X505-002080	1	LABEL,CAUTION			
5		900253-05020	7	SCREW 5*20	5*20		
5		900253-05020	4	SCREW 5*20	5*20		
6		E103-000490	1	CASE,FAN			
7		900105-08015	1	BOLT, H.S. 8*15	8*15		
8		100143-19830	1	WASHER	8.2*31*0.8		
9		E100-000063	1	FAN,BLOWER			
10		E103-000501	1	CASE,FAN			
11		900162-04020	4	BOLT, H.S. 4*20	4*20 W,SW		
12		E162-000000	2	FIXTURE, BLOW PIPE			
13		900253-05020	2	SCREW 5*20	5*20		
14		C410-000390	1	HANDLE, REAR			
15		C410-000400	1	HANDLE, REAR			
16		900253-05020	2	SCREW 5*20	5*20		
16		900253-05020	4	SCREW 5*20	5*20		
17		E165-000191	1	PIPE,BLOWER		Sr/Nr 37009332 and after	
18		E165-000210	1	PIPE,BLOWER			
19	+	E178-000050	1	GUARD,PIPE			
20	+	V583-000080	1	RING	CE-5		
21		895410-06960	1	WRENCH, W/S-DRIVER			
22		V299-000290	1	KNOB,FASTENER	1 KNOB M5X0.8		
23		A446-000000	1	LEVER, ACTUATOR			

8. Fan Case, Blower Pipe(Sr/Nr 37009332 to 37010392)



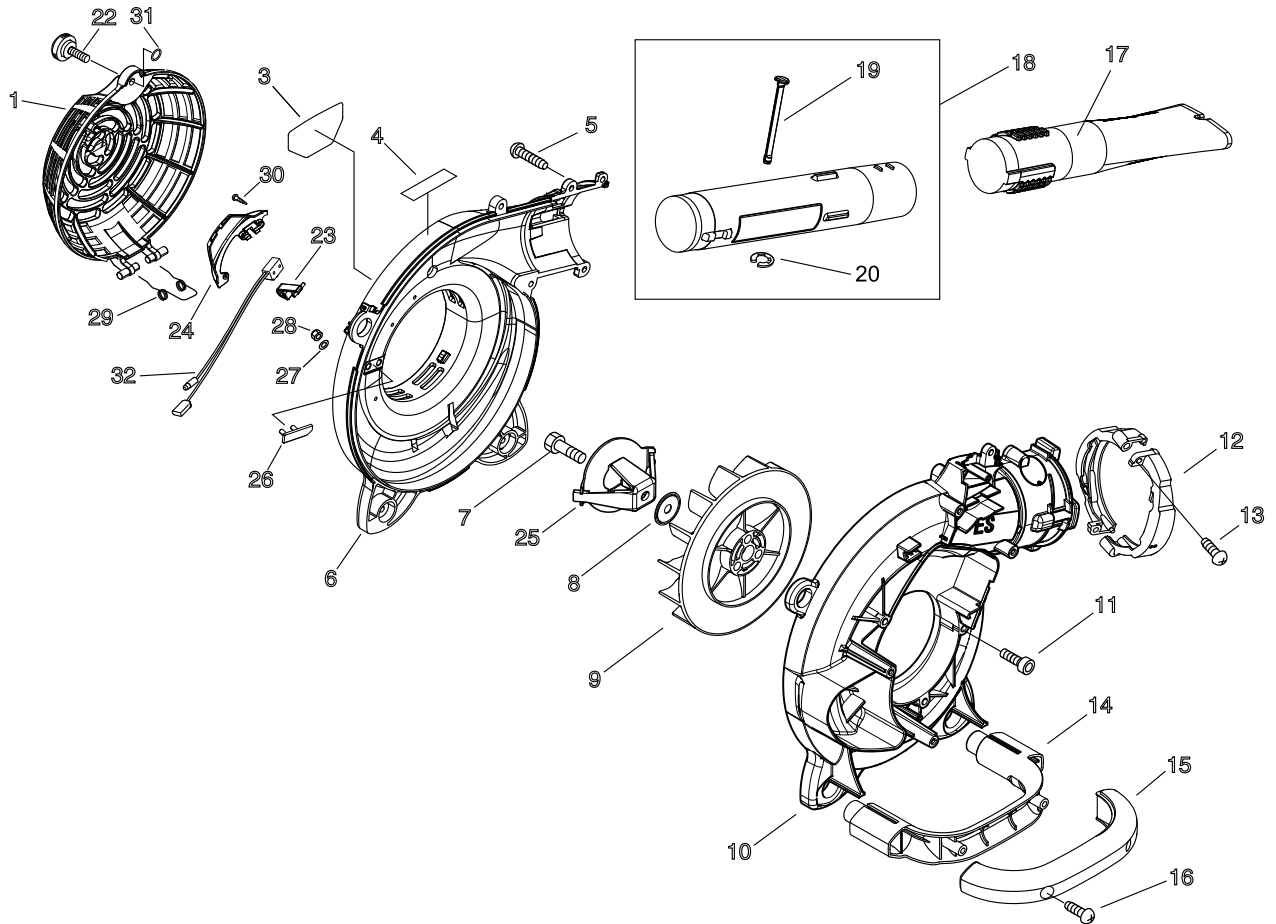
KEY	LV	PART NUMBER	Q'TY	DESCRIPTION	REMARKS	NOTE1	NOTE2
24		A473-000020	1	LID,SWITCH CASE			
25		X413-000031	1	CUTTER,SHREDDER		Sr/Nr 37010392 and befor	
26		X413-000020	1	CUTTER,SHREDDER			
27		900603-00005	2	WASHER 5	5.5*12*0.8		
28		900562-50005	2	LOCKNUT 5	5		
29		V452-000370	1	SPRING,TORSION			
30		900256-04016	3	SCREW 4*16	4*16		
31		900720-00003	1	O-RING P-3	P-3		
32		A045-000170	1	SWITCH, ON OFF			

9. Fan Case, Blower Pipe(Sr/Nr 37010393 and after)



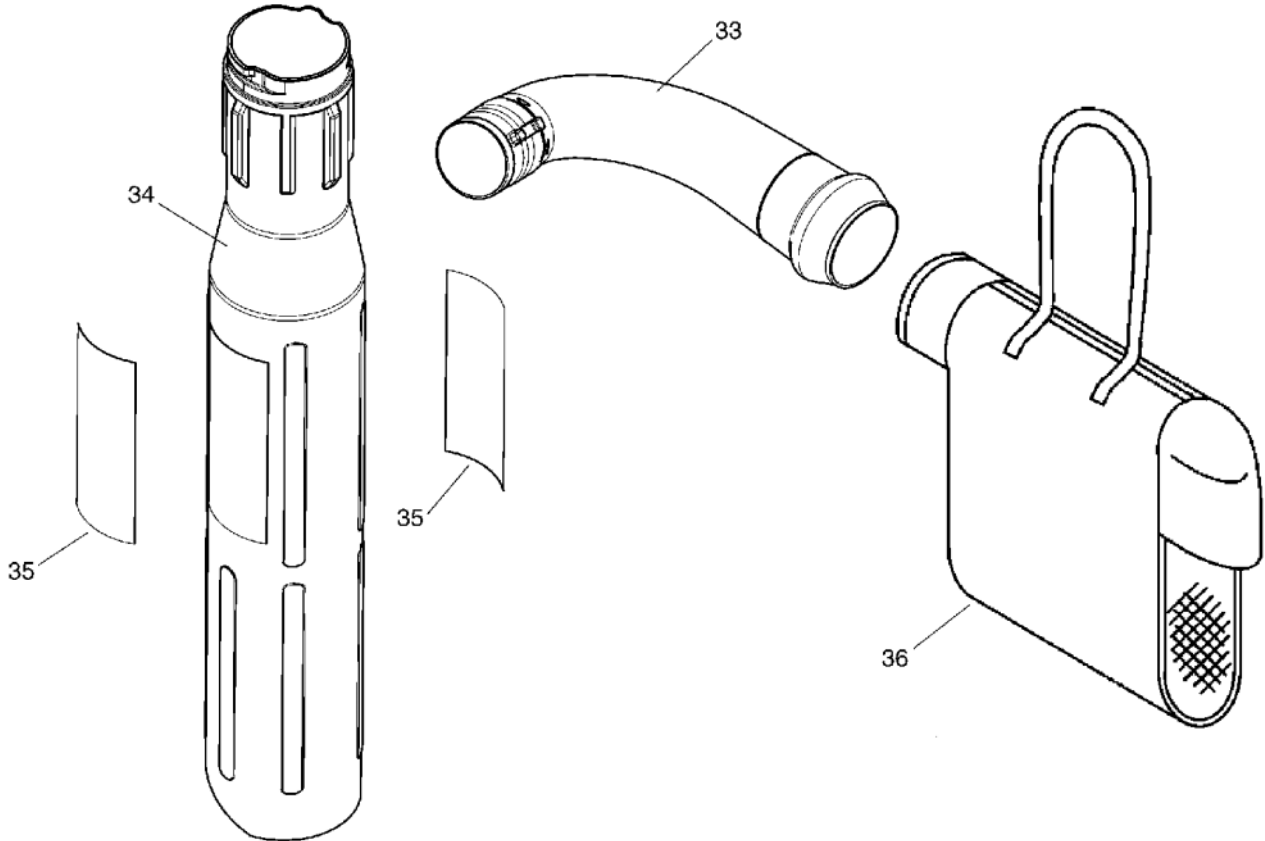
KEY	LV	PART NUMBER	Q'TY	DESCRIPTION	REMARKS	NOTE1	NOTE2
1		E104-000090	1	GRID, BLOWER			
3		X547-000870	1	LABEL,ECHO	ES-255ES		
4		X505-002080	1	LABEL,CAUTION			
5		900253-05020	4	SCREW 5*20	5*20		
6		E103-000490	1	CASE,FAN			
7		900105-08015	1	BOLT, H.S. 8*15	8*15		
8		100143-19830	1	WASHER	8.2*31*0.8		
9		E100-000064	1	FAN,BLOWER	PA6,U141		
10		E103-000501	1	CASE,FAN			
11		900162-04020	4	BOLT, H.S. 4*20	4*20 W,SW		
12		E162-000000	2	FIXTURE, BLOW PIPE			
13		900253-05020	2	SCREW 5*20	5*20		
14		C410-000390	1	HANDLE, REAR			
14		C410-000391	1	HANDLE, REAR			
15		C410-000400	1	HANDLE, REAR			
16		900253-05020	4	SCREW 5*20	5*20		
17		E165-000191	1	PIPE,BLOWER			
18		E165-000210	1	PIPE,BLOWER			
19	+	E178-000050	1	GUARD,PIPE			
20	+	V583-000080	1	RING	CE-5		
21		895410-06960	1	WRENCH, W/S-DRIVER			
22		V299-000290	1	KNOB,FASTENER	1 KNOB M5X0.8		
23		A446-000000	1	LEVER, ACTUATOR			
24		A473-000020	1	LID, SWITCH CASE			
26		X413-000020	1	CUTTER,SHREDDER			

9. Fan Case, Blower Pipe(Sr/Nr 37010393 and after)



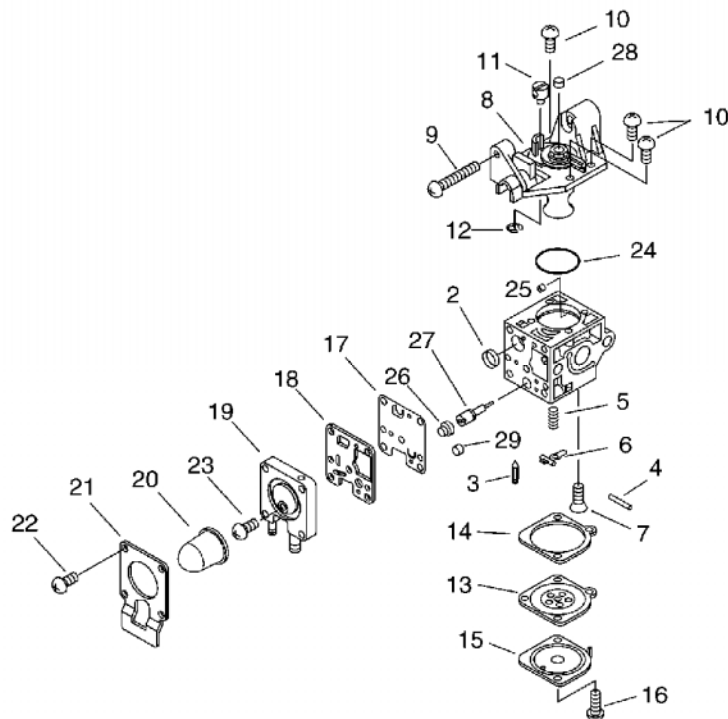
KEY	LV	PART NUMBER	Q'TY	DESCRIPTION	REMARKS	NOTE1	NOTE2
27		900603-00005	2	WASHER 5	5.5*12*0.8		
28		900562-50005	2	LOCKNUT 5	5		
29		V452-000370	1	SPRING,TORSION			
30		900256-04016	3	SCREW 4*16	4*16		
31		900720-00003	1	O-RING P-3	P-3		
32		A045-000170	1	SWITCH, ON OFF			
37		X413-000010	1	CUTTER,SHREDDER		Sr/Nr 37010393 and after	

10. Fan Case, Blower Pipe



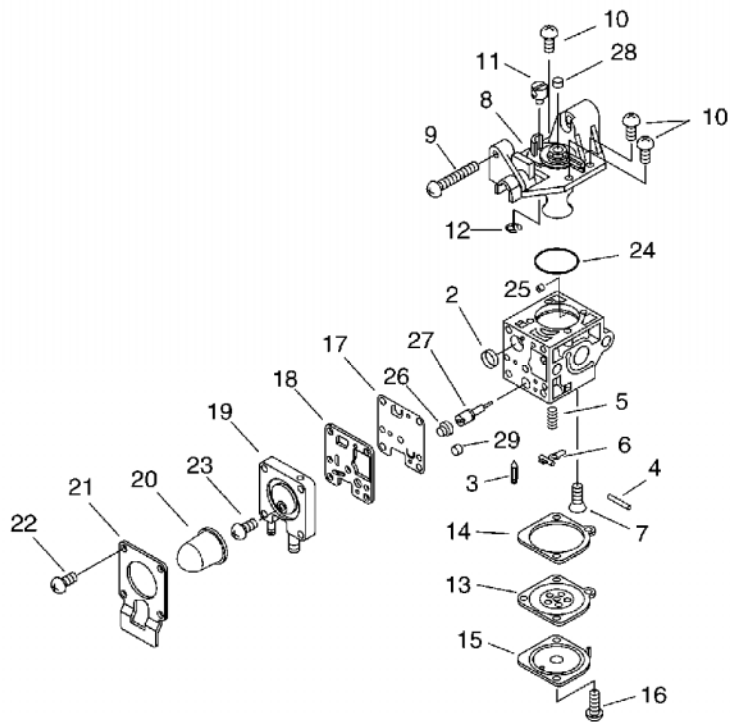
KEY	LV	PART NUMBER	Q'TY	DESCRIPTION	REMARKS	NOTE1	NOTE2
33		E160-000120	1	PIPE,MAIN			
34		E180-000010	1	PIPE,SUCTION	ES-255	Sus. by E180-000011	
35		X503-008950	2	LABEL,MODEL			
36		X692-000021	1	BAG,DUST	ECHO		

11. Carburetor(Sr/Nr 37005785 and befor)



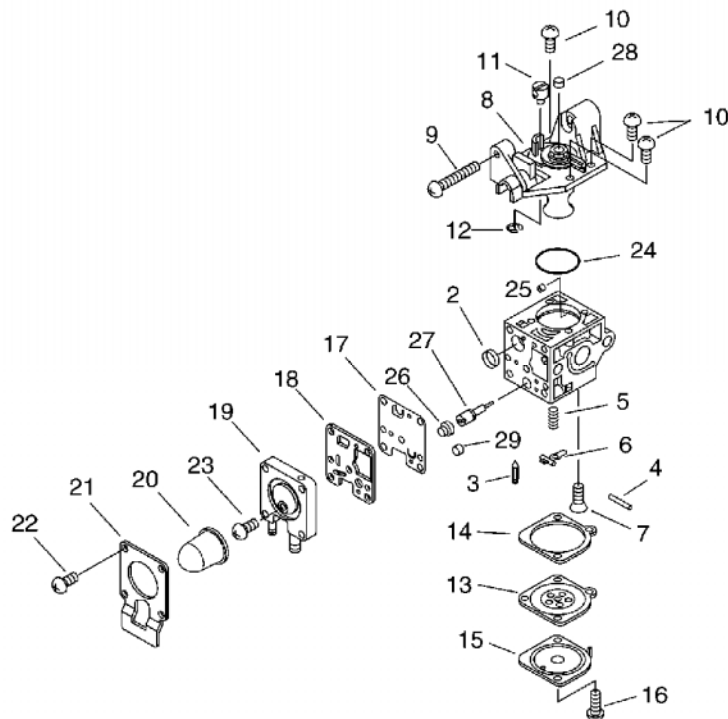
KEY	LV	PART NUMBER	Q'TY	DESCRIPTION	REMARKS	NOTE1	NOTE2
		A021-001350	1	CARBURETOR,DIAPHRAGM	RB-X1567B	Sr/Nr 37005785 and before Sus. By A021-001590	
2	+	P005-000010	1	STRAINER			
3	+	125337-08260	1	VALVE, INLET NEEDLE			
4	+	125338-13930	1	PIN, METERING ARM			
5	+	P005-000940	1	SPRING, METER. LEVER			
6	+	125323-08260	1	ARM, VALVE			
7	+	125339-42030	1	SCREW			
8	+	P005-002000	1	COVER ASY, ROTOR			
9	+	P005-000100	1	SCREW,THROTTLEADJUST			
10	+	125344-13931	3	SCREW			
11	+	P005-001240	1	POST			
12	+	P005-000190	1	E-RING			
13	+	P005-001780	1	DIAPHRAGM			
14	+	P005-000200	1	GASKET, METERING			
15	+	125342-52130	1	COVER, DIAPHRAGM			
16	+	125344-52130	2	SCREW			
17	+	P005-000510	1	DIAPHRAGM, PUMP			
18	+	P005-000520	1	GASKET, PUMP			
19	+	P005-001890	1	BASE, ASY PRIMER			
20	+	125381-46730	1	PUMP, PRIMING			
21	+	P005-000250	1	RETAINER			
22	+	P005-001900	4	SCREW			
23	+	P005-000270	1	SCREW			

11. Carburetor(Sr/Nr 37005785 and befor)



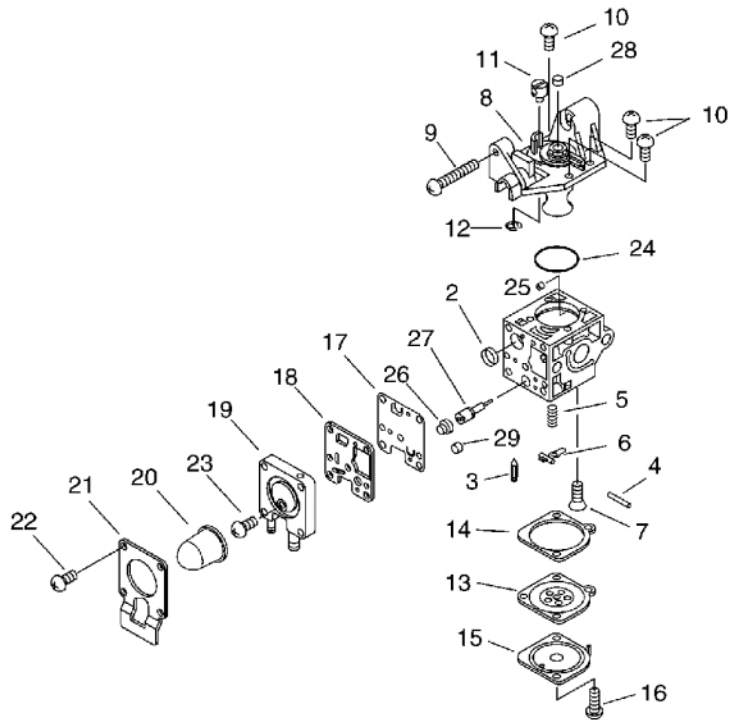
KEY	LV	PART NUMBER	Q'TY	DESCRIPTION	REMARKS	NOTE1	NOTE2
24	+	P005-000280	1	O-RING			
25	+	P005-001000	1	ROLLER, GUIDE			
26	+	P005-001250	1	RETAINER, PLUG BALL			
27	+	P005-001260	1	SCREW, MAINN MIXTURE			
28	+	P005-001270	1	PLUG, H AJUST SCREW			
29	+	P005-001270	1	PLUG, H AJUST SCREW			

12. Carburetor(Sr/Nr 37005786 and after)



KEY	LV	PART NUMBER	Q'TY	DESCRIPTION	REMARKS	NOTE1	NOTE2
		A021-001590	1	CARBURETOR,DIAPHRAGM		Sr/Nr 37005786 and after	
2	+	P005-000010	1	STRAINER			
3	+	125337-08260	1	VALVE, INLET NEEDLE			
4	+	125338-13930	1	PIN, METERING ARM			
5	+	P005-000940	1	SPRING, METER. LEVER			
6	+	125323-08260	1	ARM, VALVE			
7	+	125339-42030	1	SCREW			
8	+	P005-002000	1	COVER ASY, ROTOR			
9	+	P005-000100	1	SCREW, THROTTLEADJUST			
10	+	125344-13931	3	SCREW			
11	+	P005-001240	1	POST			
12	+	P005-000190	1	E-RING			
13	+	P005-001780	1	DIAPHRAGM			
14	+	P005-000200	1	GASKET, METERING			
15	+	125342-52130	1	COVER, DIAPHRAGM			
16	+	125344-52130	2	SCREW			
17	+	P005-000510	1	DIAPHRAGM, PUMP			
18	+	P005-000520	1	GASKET, PUMP			
19	+	P005-001890	1	BASE, ASY PRIMER			
20	+	125381-46730	1	PUMP, PRIMING			
21	+	P005-000250	1	RETAINER			
22	+	P005-001900	4	SCREW			
23	+	P005-000270	1	SCREW			
24	+	P005-000280	1	O-RING			
25	+	P005-001000	1	ROLLER, GUIDE			

12. Carburetor(Sr/Nr 37005786 and after)



KEY	LV	PART NUMBER	Q'TY	DESCRIPTION	REMARKS	NOTE1	NOTE2
26	+	P005-001250	1	RETAINER,PLUG BALL			
27	+	P005-001260	1	SCREW,MAINN MIXTURE			
28	+	P005-001270	1	PLUG, H AJUST SCREW			
29	+	P005-001270	1	PLUG, H AJUST SCREW			

13. Repair Kit

KEY	LV	PART NUMBER	Q'TY	DESCRIPTION	REMARKS	NOTE1	NOTE2
		P005-001660	1	DIAPHRAGM/GASKET KIT			
8-13	+	P005-001780	1	DIAPHRAGM			
8-14	+	P005-000200	1	GASKET, METERING			
8-17	+	P005-000510	1	DIAPHRAGM, PUMP			
8-18	+	P005-000520	1	GASKET, PUMP			
		P005-001670	1	REBUILD KIT			
8-2	+	P005-000010	1	STRAINER			
8-3	+	125337-08260	1	VALVE, INLET NEEDLE			
8-4	+	125338-13930	1	PIN, METERING ARM			
8-5	+	P005-000940	1	SPRING, METER. LEVER			
8-6	+	125323-08260	1	ARM, VALVE			
8-13	+	P005-001780	1	DIAPHRAGM			
8-14	+	P005-000200	1	GASKET, METERING			
8-17	+	P005-000510	1	DIAPHRAGM, PUMP			
8-18	+	P005-000520	1	GASKET, PUMP			
8-25	+	P005-001000	1	ROLLER, GUIDE			

Index

Patrs Number	Key No.	Patrs Number	Key No.	Patrs Number	Key No.
100014-11520	1 - 10	900105-05060	4 - 6	900720-00003	9 - 31
100015-04630	1 - 9	900105-08015	7 - 7	91113-04020	2 - 10
100143-19830	7 - 8	900105-08015	8 - 7	91367-04010	3 - 27
100143-19830	8 - 8	900105-08015	9 - 7	91367-04010	4 - 27
100143-19830	9 - 8	900106-05008	1 - 1	94035-36201	1 - 17
100212-42031	1 - 14	900106-05014	2 - 33	A011-000371	1 - 11
100215-03930	1 - 18	900106-05014	3 - 29	A021-001350	11 -
100242-42030	1 - 16	900106-05014	4 - 29	A021-001350	3 - 10
125323-08260	11 - 6	900162-04020	7 - 11	A021-001590	12 -
125323-08260	12 - 6	900162-04020	8 - 11	A021-001590	4 - 10
125323-08260	13 - 8-6	900162-04020	9 - 11	A045-000170	7 - 32
125337-08260	11 - 3	900162-05025	1 - 4	A045-000170	8 - 32
125337-08260	12 - 3	900162-05025	3 - 14	A045-000170	9 - 32
125337-08260	13 - 8-3	900162-05025	4 - 14	A051-001180	2 - 21
125338-13930	11 - 4	900162-05028	1 - 15	A052-000200	2 - 17
125338-13930	12 - 4	900163-04016	2 - 16	A101-000140	1 - 7
125338-13930	13 - 8-4	900238-05025	5 - 1	A130-000780	1 - 3
125339-42030	11 - 7	900253-04010	5 - 21	A160-000821	1 - 2
125339-42030	12 - 7	900253-05020	5 - 9	A160-000830	3 - 17
125342-52130	11 - 15	900253-05020	6 - 9	A160-000830	4 - 17
125342-52130	12 - 15	900253-05020	7 - 5	A200-000280	3 - 15
125344-13931	11 - 10	900253-05020	7 - 13	A200-000280	4 - 15
125344-13931	12 - 10	900253-05020	7 - 16	A226-000350	3 - 5
125344-52130	11 - 16	900253-05020	8 - 5	A226-000350	4 - 5
125344-52130	12 - 16	900253-05020	8 - 5	A226-000370	3 - 30
125381-46730	11 - 20	900253-05020	8 - 13	A226-000370	4 - 30
125381-46730	12 - 20	900253-05020	8 - 16	A227-000000	3 - 31
130016-42031	3 - 9	900253-05020	8 - 16	A227-000000	4 - 31
130016-42031	4 - 9	900253-05020	9 - 5	A232-000440	3 - 3
131004-55530	6 - 1	900253-05020	9 - 13	A232-000440	4 - 3
131016-55830	6 - 2	900253-05020	9 - 16	A244-000070	3 - 7
131051-56030	6 - 3	900253-05025	5 - 8	A244-000070	4 - 7
131205-07320	6 - 13	900256-04016	7 - 30	A300-000141	3 - 20
132010-49730	6 - 11	900256-04016	8 - 30	A300-000141	4 - 20
132013-09820	6 - 5	900256-04016	9 - 30	A310-000070	3 - 21
132115-01461	6 - 7	900562-50005	5 - 6	A310-000070	4 - 21
132115-44330	6 - 12	900562-50005	7 - 28	A313-000910	3 - 25
152115-05530	2 - 2	900562-50005	8 - 28	A313-000910	4 - 25
156110-04920	2 - 7	900562-50005	9 - 28	A313-000920	3 - 26
177220-42030	2 - 25	900602-00005	5 - 2	A313-000920	4 - 26
177227-42030	2 - 29	900603-00005	3 - 22	A350-000550	6 - 14
177228-27030	2 - 28	900603-00005	4 - 22	A356-000030	6 - 4
177234-12220	2 - 19	900603-00005	5 - 4	A409-000210	2 - 12
177236-61830	2 - 22	900603-00005	6 - 8	A411-000290	2 - 11
177246-11120	2 - 27	900603-00005	7 - 27	A425-000000	2 - 3
895410-06960	7 - 21	900603-00005	8 - 27	A426-000010	2 - 4
895410-06960	8 - 21	900603-00005	9 - 27	A427-000012	2 - 6
895410-06960	9 - 21	900720-00003	7 - 31	A429-000010	2 - 5
900105-05060	3 - 6	900720-00003	8 - 31	A440-001010	5 - 15

Index

Patrs Number	Key No.	Patrs Number	Key No.	Patrs Number	Key No.
A446-000000	7 - 23	E178-000050	9 - 19	P005-001890	11 - 19
A446-000000	8 - 23	E180-000010	10 - 34	P005-001890	12 - 19
A446-000000	9 - 23	P005-000010	11 - 2	P005-001900	11 - 22
A473-000020	7 - 24	P005-000010	12 - 2	P005-001900	12 - 22
A473-000020	8 - 24	P005-000010	13 - 8-2	P005-002000	11 - 8
A473-000020	9 - 24	P005-000100	11 - 9	P005-002000	12 - 8
C400-000490	5 - 12	P005-000100	12 - 9	P021-008231	1 - 13
C410-000390	7 - 14	P005-000190	11 - 12	P021-010260	1 - 6
C410-000390	8 - 14	P005-000190	12 - 12	P021-010980	3 - 8
C410-000390	9 - 14	P005-000200	11 - 14	P021-010980	4 - 8
C410-000391	9 - 14	P005-000200	12 - 14	P021-011200	3 - 28
C410-000400	7 - 15	P005-000200	13 - 8-14	P021-011200	4 - 28
C410-000400	8 - 15	P005-000200	13 - 8-14	P021-013780	2 - 14
C410-000400	9 - 15	P005-000250	11 - 21	P022-002100	2 - 18
C411-000020	5 - 5	P005-000250	12 - 21	P022-006830	2 - 24
C411-000021	5 - 5	P005-000270	11 - 23	P022-006850	2 - 20
C412-000150	5 - 19	P005-000270	12 - 23	P022-008260	2 - 23
C450-000241	5 - 7	P005-000280	11 - 24	P022-008270	2 - 30
C453-000260	5 - 3	P005-000280	12 - 24	P022-008280	2 - 26
C454-000130	5 - 10	P005-000510	11 - 17	V100-000190	1 - 5
C459-000010	3 - 18	P005-000510	12 - 17	V103-000390	3 - 16
C459-000010	4 - 18	P005-000510	13 - 8-17	V103-000390	4 - 16
C480-000070	3 - 11	P005-000510	13 - 8-17	V103-000400	3 - 13
E100-000063	7 - 9	P005-000520	11 - 18	V103-000400	4 - 13
E100-000063	8 - 9	P005-000520	12 - 18	V104-000820	3 - 19
E100-000064	9 - 9	P005-000520	13 - 8-18	V104-000820	4 - 19
E101-000071	2 - 13	P005-000520	13 - 8-18	V104-000830	3 - 24
E103-000490	7 - 6	P005-000940	11 - 5	V104-000830	4 - 24
E103-000490	8 - 6	P005-000940	12 - 5	V203-000190	3 - 23
E103-000490	9 - 6	P005-000940	13 - 8-5	V203-000190	4 - 23
E103-000500	7 - 10	P005-001000	11 - 25	V263-000070	2 - 15
E103-000501	7 - 10	P005-001000	12 - 25	V263-000070	5 - 13
E103-000501	8 - 10	P005-001000	13 - 8-25	V264-000050	3 - 12
E103-000501	9 - 10	P005-001240	11 - 11	V299-000250	3 - 1
E104-000090	7 - 1	P005-001240	12 - 11	V299-000250	4 - 1
E104-000090	8 - 1	P005-001250	11 - 26	V299-000290	7 - 22
E104-000090	9 - 1	P005-001250	12 - 26	V299-000290	8 - 22
E160-000120	10 - 33	P005-001260	11 - 27	V299-000290	9 - 22
E162-000000	7 - 12	P005-001260	12 - 27	V420-001430	6 - 15
E162-000000	8 - 12	P005-001270	11 - 28	V420-001440	2 - 32
E162-000000	9 - 12	P005-001270	11 - 29	V431-000000	5 - 11
E165-000190	7 - 17	P005-001270	12 - 28	V452-000370	7 - 29
E165-000191	8 - 17	P005-001270	12 - 29	V452-000370	8 - 29
E165-000191	9 - 17	P005-001660	13 -	V452-000370	9 - 29
E165-000210	7 - 18	P005-001670	13 -	V471-001220	6 - 6
E165-000210	8 - 18	P005-001780	11 - 13	V471-001860	6 - 10
E165-000210	9 - 18	P005-001780	12 - 13	V475-003380	2 - 9
E178-000050	7 - 19	P005-001780	13 - 8-13	V485-000370	5 - 22
E178-000050	8 - 19	P005-001780	13 - 8-13	V485-000960	2 - 1

Index

Patrs Number	Key No.	Patrs Number	Key No.	Patrs Number	Key No.
V486-000110	5 - 16				
V486-000120	5 - 20				
V553-000010	1 - 12				
V583-000080	7 - 20				
V583-000080	8 - 20				
V583-000080	9 - 20				
V606-000000	1 - 8				
X413-000010	9 - 37				
X413-000020	7 - 26				
X413-000020	8 - 26				
X413-000020	9 - 26				
X413-000030	7 - 25				
X413-000031	7 - 25				
X413-000031	8 - 25				
X502-000330	2 - 31				
X503-008950	10 - 35				
X505-002080	7 - 4				
X505-002080	8 - 4				
X505-002080	9 - 4				
X505-002310	5 - 14				
X506-000090	3 - 4				
X506-000090	4 - 4				
X547-000870	7 - 3				
X547-000870	8 - 3				
X547-000870	9 - 3				
X692-000021	10 - 36				

YAMABIKO CORPORATION

7-2 SUEHIROCHO 1-CHOME, OHME, TOKYO 198-8760, JAPAN
PHONE: 81-428-32-6118. FAX: 81-428-32-6145.

