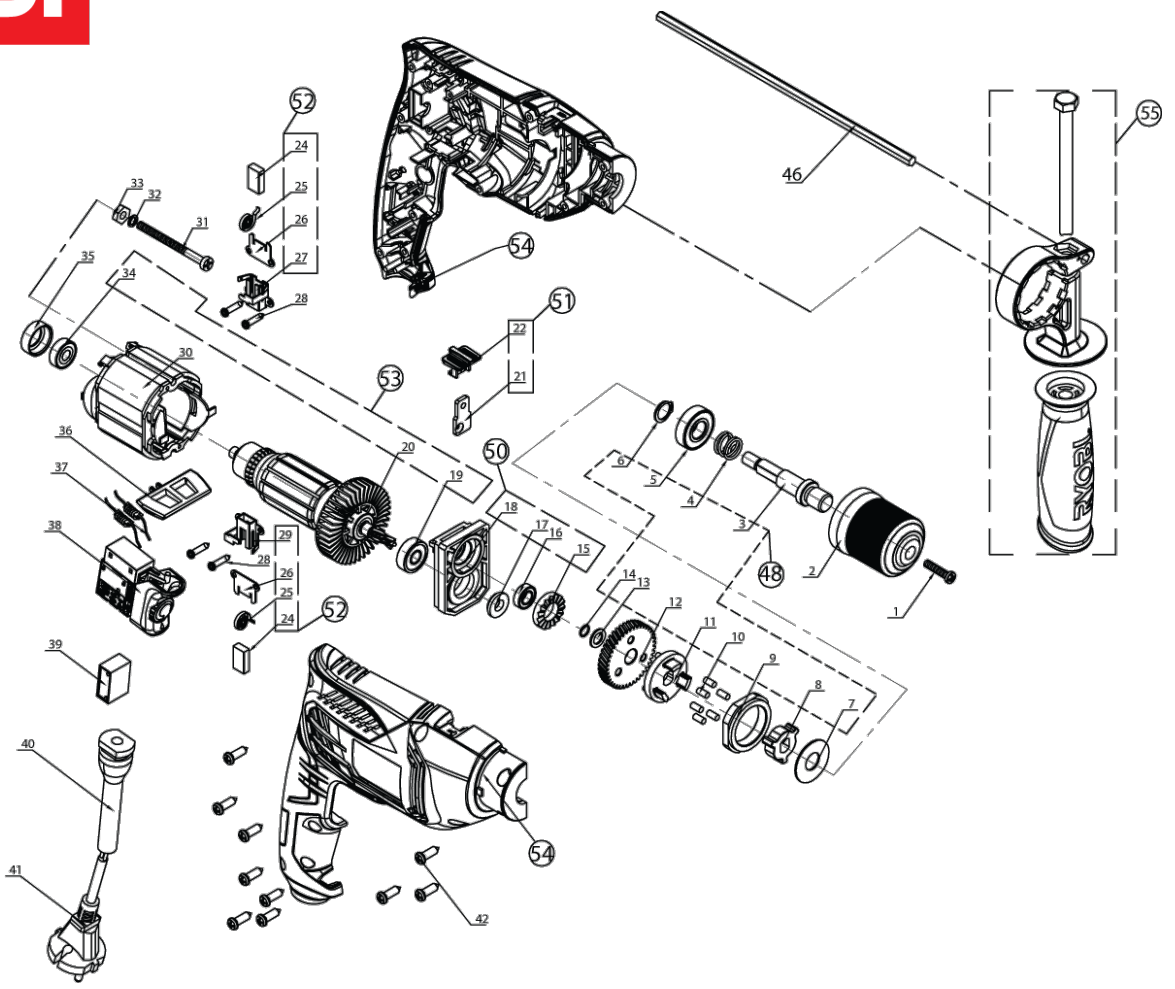


[TRAD] 680W Percussion Drill

5133002016 - RPD680-K - 5133002016#1





Position	Quantity	Description	Part number	EAN
001	1	SCREW	5131031880	
002	1	CHUCK	5131031881	
003	1	SHAFT	5131031883	
004	1	SPRING	5131031884	
005	1	BALL BEARING	5131031885	
006	1	RETAINING RING	5131031886	
007	1	STOP WASHER	5131031887	
008	1	CAM	5131031888	
009	1	BRACKET	5131031889	
010	6	CYLINDER PIN	5131031890	
011	1	GEARWHEEL SET	5131031891	
012	1	GEAR	5131031892	
013	1	WASHER	5131031893	
014	1	SPRING	5131031894	
015	1	RATCHET	5131031896	
016	1	BALL BEARING	5131031897	
017	1	SEALING WASHER	5131031898	
018	1	CLUTCH HOUSING	5131031899	
019	1	BALL BEARING	5131031910	
020	1	ARMATURE	5131031911	
021	1	DRIVING PLATE	5131031901	
022	1	PUSH-BUTTON	5131031902	
024	2	CARBON BRUSH	5131031904	
025	2	SPRING PLATE	5131031905	
026	2	COVER PLATE	5131031906	
027	1	BRUSH HOLDER	5131031907	
028	4	SCREW	5131031913	
029	1	BRUSH HOLDER	5131031908	
030	1	STATOR	5131031914	
031	1	SCREW	5131031915	
032	1	WASHER	5131031916	
033	1	NUT	5131031917	
034	1	BALL BEARING	5131031912	
035	1	BEARING SLEEVE	5131031918	
036	1	PUSH BUTTON	5131031919	
037	2	CHOKING COIL	5131031920	
038	1	SWITCH	5131031921	
039	1	CAPACITOR	5131031922	
040	1	PROTECTION SLEEVE	5131031923	
041	10	POWER CORD	5131031924	
042	1	SCREW	5131031925	
046	1	DEPTH GAUGE	5131031933	
048	1	SHAFT	5131031882	
050	1	CLUTCH HOUSING	5131031895	
051	1	PUSH-BUTTON	5131031900	
052	1	CARBON HOLDER SET	5131031903	
053	1	ARMATURE ASSEMBLY	5131031909	
054	1	HOUSING SET ASSY	5131031926	
055	1	AUXILIARY HANDLE	5131031929	
	1	SWISS ADAPTER	5131027809	4002395733965

Position	Quantité	Désignation	Référence	EAN
	1	LABEL	5131031934	
	1	LABEL	5131031935	