

RYOBI®

OWS1880

ORIGINAL INSTRUCTIONS
TRADUCTION DES INSTRUCTIONS ORIGINALES
ÜBERSETZUNG DER ORIGINALANLEITUNG
TRADUCCIÓN DE LAS INSTRUCCIONES ORIGINALES
TRADUZIONE DELLE ISTRUZIONI ORIGINALI
VERTALING VAN DE ORIGINELE INSTRUCTIES
TRADUÇÃO DAS INSTRUÇÕES ORIGINAIS
OVERSÆTTELSE AF DE ORIGINALE INSTRUKTIONER
ÖVERSÄTTNING AV DE URSPRUNGLIGA INSTRUKTIONERNA
ALKUPERÄISTEN OHJEIDEN SUOMENNOS
OVERSETTELSE AV DE ORIGINALE INSTRUKSJONENE
ПЕРЕВОД ОРИГИНАЛЬНЫХ ИНСТРУКЦИЙ
TŁUMACZENIE INSTRUKCJI ORYGINALNEJ
PŘEKLAD ORIGINÁLNÍCH POKYNŮ
AZ EREDETI ÚTMUTATÓ FORDÍTÁSA
TRADUCEREA INSTRUCȚIUNILOR ORIGINALE
TULKOTS NO ORIĢINĀLĀS INSTRUKCIJAS
ORIGINALIŲ INSTRUKCIJŲ VERTIMAS
ORIGINAALJUHENDI TÕLGE
PRIJEVOD ORIGINALNIH UPUTA
PREVOD ORIGINALNIH NAVODIL
PREKLAD ORIGINÁLNYCH POKYNOV
ПРЕВОД ОТ ОРИГИНАЛНИТЕ ИНСТРУКЦИИ
ПЕРЕКЛАД ОРИГИНАЛЬНИХ ИНСТРУКЦІЙ
ORIJINAL TALĪMATLAR



EN
FR
DE
ES
IT
NL
PT
DA
SV
FI
NO
RU
PL
CS
HU
RO
LV
LT
ET
HR
SL
SK
BG
UK
TR





- Important!** It is essential that you read the instructions in this manual before assembling, maintaining and operating the product.
- Attention!** Il est essentiel que vous lisiez les instructions contenues dans ce manuel avant d'assembler, d'entretenir et d'utiliser le produit.
- Achtung!** Es ist wichtig, dass Sie vor Zusammenbau, Wartung und Benutzung des Produktes die Anweisungen in dieser Anleitung lesen.
- ¡Atención!** Resulta fundamental que lea este manual de instrucciones antes de realizar el montaje, el mantenimiento y de utilizar este producto
- Attenzione!** È importante leggere le istruzioni contenute nel presente manuale prima di montare il prodotto, svolgere le operazioni di manutenzione sullo stesso e metterlo in funzione.
- Let op!** Het is van essentieel belang dat u de instructies in deze gebruiksaanwijzing leest voor u het product monteert, onderhoudt en gebruikt.
- Atenção!** É fundamental que leia as instruções deste manual antes da montagem, manutenção e operação do aparelho.
- OBS!** Det er vigtigt, at man læser instrukserne i denne brugsanvisning, inden man samler, vedligeholder og betjener produktet.
- Observera!** Det är viktigt att du läser instruktionerna i manualen före montering, användning och underhåll av produkten.
- Huomio!** On tärkeää, että luet tämän käsikirjan ohjeet ennen tuotteen kokoamista, huoltoa ja käyttöä.
- Advarsel!** Det er viktig at du leser instruksjonene i denne manualen før sammensetning, vedlikehold og bruk av produktet
- Внимание!** Необходимо прочитать инструкции в данном руководстве перед сборкой, обслуживанием и эксплуатацией этого изделия.
- Uwaga!** Koniecznie należy przeczytać instrukcje zawarte w tym podręczniku przed montażem, obsługą oraz konserwacją produktu.
- Důležité upozornění!** Neinstalujte, neprovádějte údržbu ani nepoužívejte tento výrobek dříve, než si přečtete pokyny uvedené v tomto návodu.
- Figyelem!** Fontos, hogy a termék összeszerelése, karbantartása és használatá elött elolvassa a kézikönyvben található utasításokat.
- Atenție!** Este esențial să citiți instrucțiunile din acest manual înainte de asamblare, efectuarea întreinerii și operarea produsului.
- Uzmanību!** Ir svarīgi izlasīt šīs rokasgrāmatas instrukcijas pirms uzstādīšanas, apkopes un precas darbināšanas.
- Dėmesio!** Prieš surenkant, prižiūrint ir naudojam gaminį, būtina perskaityti šiam vadove pateiktus nurodymus.
- Tähtis!** Enne masina kokkupanekut, hooldamist ja kasutama hakkamist tuleb käesolevas juhendis esitatud juhised kindlasti läbi lugeda.
- Upozorenje!** Vrlo je važno da ste prije sklapanja, održavanja i rada s ovim proizvodom pročitali upute u ovom priručniku.
- Pomembno!** Pomembno je da pred montažo vzdrževanjem in uporabo tega izdelka preberete navodila v tem priročniku.
- Upozornenie!** Je dôležité, aby ste si pred montážou, údržbou a obsluhou produktu prečítali pokyny v tomto návode.
- Важно!** Исключительно важно е да прочетете инструкциите в настоящото ръководство, преди да преминете към сглобяване, поддръжка или работа с продукта.
- Важливо!** Дуже важливо, щоб ви прочитали інструкції в цьому керівництві перед складанням, обслуговуванням та експлуатацією цієї машини.
- Önemli!** Ürünü monte etmeden, kullanmadan ve bakımını yapmadan önce bu kılavuzdaki talimatları okumanız önemlidir.

Subject to technical modification | Sous réserve de modifications techniques | Technische Änderungen vorbehalten | Bajo reserva de modificaciones técnicas | Con riserva di eventuali modifiche tecniche | Technische wijzigingen voorbehouden | Com reserva de modificações técnicas | Med forbehold for tekniske ændringer | Med förbehåll för tekniska ändringar | Tekniset muutokset varataan | Med forbehold om tekniske endringer | могут быть внесены технические изменения | Z zastrzeżeniem modyfikacji technicznych | Změny technických údajů vyhrazeny | A műszaki módosítás jogát fenntartjuk | Sub rezerva modificațiilor tehnice | Paturam tiesības mainīt tehniskos raksturlielumus | Pasiliekiant teisę daryti techninius pakeitimus | Tehnilised muudatused võimalikud | Podloženo tehničkim promjenama | Tehnične spremembe dopuščene | Právo na technické zmeny je vyhradené | Подлежи на технически модификации | Є об'єктом для технічних змін | Teknik değişikliğe tabidir.



Safety, performance, and dependability have been given top priority in the design of your weed sprayer.

INTENDED USE

The weed sprayer is intended for outdoor use in a well-ventilated area.

The product is designed for spraying consumer-grade home and garden chemicals such as insecticides, fungicides, weed killers, and fertilizers. The product may also be used to water plants.

Do not use the product for any purpose not listed above. The product is not to be used by children or by persons not wearing adequate personal protective equipment and clothing.

GENERAL SAFETY WARNINGS

WARNING

Read all safety warnings and all instructions. Failure to follow the warnings and instructions may result in electric shock, fire and/or serious injury.

Save all warnings and instruction for future reference.

The term "power tool" in the warnings refers to your mains-operated (corded) power tool or battery-operated (cordless) power tool.

WORK AREA SAFETY

- **Keep work area clean and well lit.** Cluttered or dark areas invite accidents.
- **Do not operate power tools in explosive atmospheres, such as in the presence of flammable liquids, gases or dust.** Power tools create sparks which may ignite the dust or fumes.
- **Keep children and bystanders away while operating a power tool.** Distractions can cause you to lose control.

ELECTRICAL SAFETY

- **Power tool plugs must match the outlet. Never modify the plug in any way. Do not use any adapter plugs with earthed (grounded) power tools.** Unmodified plugs and matching outlets will reduce risk of electric shock.
- **Avoid body contact with earthed or grounded surfaces, such as pipes, radiators, ranges and refrigerators.** There is an increased risk of electric shock if your body is earthed or grounded
- **Do not expose power tools to rain or wet conditions.** Water entering a power tool will increase the risk of electric shock.
- **Do not abuse the cord. Never use the cord for carrying, pulling or unplugging the power tool. Keep cord away from heat, oil, sharp edges or moving parts.** Damaged or entangled cords increase the risk of electric shock.
- **When operating a power tool outdoors, use an extension cord suitable for outdoor use.** Use of a cord suitable for outdoor use reduces the risk of electric shock.

- **If operating a power tool in a damp location is unavoidable, use a residual current device (RCD) protected supply.** Use of an RCD reduces the risk of electric shock.

PERSONAL SAFETY

- **Stay alert, watch what you are doing and use common sense when operating a power tool. Do not use a power tool while you are tired or under the influence of drugs, alcohol or medication.** A moment of inattention while operating power tools may result in serious personal injury.
- **Use personal protective equipment. Always wear eye protection.** Protective equipment such as dust mask, non-skid safety shoes, hard hat, or hearing protection used for appropriate conditions will reduce personal injury.
- **Prevent unintentional starting. Ensure the switch is in the off-position before connecting to power source and/or battery pack, picking up or carrying the tool.** Carrying power tools with your finger on the switch or energising power tools that have the switch on invites accidents.
- **Remove any adjusting key or wrench before turning the power tool on.** A wrench or a key left attached to a rotating part of the power tool may result in personal injury.
- **Do not overreach. Keep proper footing and balance at all times.** This enables better control of the power in unexpected situations.
- **Dress properly. Do not wear loose clothing or jewellery. Keep your hair, clothing and gloves away from moving parts.** Loose clothes, jewellery or long hair can be caught in moving parts.
- **If devices are provided for the connection of dust extraction and collection facilities, ensure these are connected and properly used.** Use of dust collection can reduce dust-related hazards.

POWER TOOL USE AND CARE

- **Do not force the power tool. Use the correct power tool for your application.** The correct power tool will do the job better and safer at the rate for which it was designed.
- **Do not use the power tool if the switch does not turn it on and off.** Any power tool that cannot be controlled with switch is dangerous and must be repaired.
- **Disconnect the plug from the power source and/or the battery pack from the power tool before making any adjustments, changing accessories, or storing power tools.** Such preventive safety measures reduce the risk of starting the power tool accidentally.
- **Store idle power tools out of the reach of children and do not allow persons unfamiliar with the power tool or these instructions to operate the power tool.** Power tools are dangerous in the hands of untrained users.
- **Maintain power tools. Check for misalignment or binding of moving parts, breakage of parts and any other condition that may affect the power tool's operation. If damaged, have the power tool repaired**

before use. Many accidents are caused by poorly maintained power tools.

- **Keep cutting tools sharp and clean.** Properly maintained cutting tools with sharp cutting edges are less likely to bind and are easier to control.
- **Use the power tool, accessories and tool bits etc. in accordance with these instructions, taking into account the working conditions and the work to be performed.** Use of the power tool for operations different from those intended could result in a hazardous situation.

BATTERY TOOL USE AND CARE

- **Recharge only with the charger specified by the manufacturer.** A charger that is suitable for one type of battery pack may create a risk of fire when used with another battery pack.
- **Use power tools only with specifically designated battery packs.** Use of any other battery packs may create a risk of injury and fire.
- **When battery pack is not in use, keep it away from other metal objects, like paper clips, coins, keys, nails, screws or other small metal objects, that can make a connection from one terminal to another.** Shorting the battery terminals together may cause burns or a fire.
- **Under abusive conditions, liquid may be ejected from the battery; avoid contact. If contact accidentally occurs, flush with water. If liquid contacts eyes, additionally seek medical help.** Liquid ejected from the battery may cause irritation or burns.

SERVICE

- **Have your power tool serviced by a qualified repair person using only identical replacement parts.** This will ensure that safety of the power tool is maintained.

WEED SPRAYER SAFETY WARNINGS

- Do not spray flammable liquids, such as gasoline, to reduce the risk of fire or explosion.
- Always follow the chemical manufacturer's instructions printed on their product labeling for use, cleaning, and storage. Chemicals should be stored out of the reach of children.
- Do not spray any material where the hazard is not known.
- To reduce exposure to spray materials, wear approved safety equipment, such as face mask designed for spraying, gloves, and other appropriate protective equipment.
- Do not use flammable solvents or abrasive cleaning agents to clean the product.

WARNING

Keep spray materials away from eyes. If spray materials come in contact with the eyes, wash them immediately with clean water. If irritation is still present, immediately seek medical help.

ADDITIONAL SAFETY WARNINGS

- Never allow children, persons with reduced physical, sensory, or mental capabilities or lack of experience and knowledge, or people unfamiliar with these instructions to use the product.
 - Be aware of any hazards presented by the spray materials. Before using any pesticide or other spray materials with the product, carefully read the label on the original container and follow the instructions.
 - Keep the area clear of all bystanders, children, and pets while spraying.
 - Ensure that the spray wand is securely connected to the spray wand handle before using the product. If necessary, use pliers to attach the spray wand to the spray wand handle.
 - Remember to properly replace and tighten the spray tank cover after pouring liquid into the spray tank.
 - Use only consumer-grade water-based lawn and garden chemicals.
 - Do not use commercial-grade chemicals or chemicals for commercial or industrial purposes.
 - Do not use caustic (alkali) self-heating or corrosive (acid) liquids with the product. These can corrode metal parts or weaken the tank and hose.
 - Do not leave residue or spray material in the spray tank after using the product. Clean after each use.
 - Do not pour hot or boiling liquids into the spray tank. These can weaken or damage the hose or spray tank.
 - Do not overfill the tank.
 - Always check for leaks. If any are found, correct them before using the product.
 - The spray area must be well ventilated.
 - Always inspect both the inside and outside of the product before each use.
 - Liquids to be sprayed must be as thin as water. Thicker liquids will not spray properly.
 - Spray materials may be premixed and poured into the spray tank using a funnel, if necessary.
- NOTE:** When using a measuring container other than the measuring cup, or when using a funnel to fill the tank, thoroughly clean and rinse these items after use. When premixing spray materials, rinse the container used for mixing.
- Do not spray where spark, flame, or other source of ignition is present.
 - Do not spray in the direction of people or animals. Always spray downwind.
 - Do not smoke, eat, or drink while using the product.
 - Do not discharge directly against skin.
 - Do not let the spray materials come in contact with skin. If contact does occur, wash immediately with soap and plenty of water.
 - Aim the nozzle directly at the plants or objects you intend to spray.
 - Ensure that the spray materials are directed at an area that will not be damaged by the spray materials.
 - Avoid spraying on windy days. The spray materials can

be accidentally blown onto plants or objects that should not be sprayed.

- Keep spray materials away from eyes. If spray materials come in contact with the eyes, wash them immediately with clean water. If irritation is still present, immediately seek medical help.
- The product may be operated with the spray wand handle resting in the cradle, or may be removed from the cradle and be held by the operator.
- Electric shock hazard. Do not spray towards electrical outlets.
- After every use, thoroughly wash your hands and any area where skin has been exposed to the spray.
- Maintain the product. Thoroughly inspect both the inside and outside of the product and examine the components before each use. Check for cracked and deteriorated hoses, leaks, clogged nozzles, and missing or damaged parts. If damaged, have the product repaired before use. Many accidents are caused by poorly maintained products.
- Remove the battery from the product before draining, cleaning, or storing to avoid accidental starting.

An indication that the machinery may be subject to national requirements for regular inspection by designated bodies, as provided for in Directive 2009/128/EC of the European Parliament and of the Council of 21 October 2009 establishing a framework for Community action to achieve the sustainable use of pesticides.

MIXING THE SPRAY SOLUTION

WARNING

Mix the chemicals strictly in accordance with the manufacturer's instructions. Incorrect mixtures may produce toxic fumes or explosive solutions.

- Never spray liquid plant control chemicals undiluted.
- Prepare solution and fill the container outdoors only or in well-ventilated locations.
- Only prepare sufficient solution for the job in hand so that nothing is left over.
- Do not mix different chemicals unless such mixture is approved by the manufacturer.

FILLING THE CONTAINER

- Stand the sprayer on a level surface, do not fill the container above the maximum mark.
- When filling from the central water supply, do not immerse the end of the hose in the solution. Sudden low pressure in the system may cause the solution to be sucked back into the water supply.
- Before filling the container with spray solution, carry out a test run with fresh water, and check all parts of the sprayer for leaks.
- After filling, fit the filler cap, and tighten it down firmly.
- Hang a tag to the product to note what chemical is being used.

APPLICATION

- Work only in the open or in well-ventilated locations, e.g. open greenhouses.
- Never blow through nozzles or other components by mouth.
- Avoid contact with plant control chemicals, immediately change clothing contaminated with plant control chemicals.
- Do not spray in windy conditions.
- Too high or too low pressure or unfavorable weather conditions can result in the wrong solution concentration. Overdosing may damage plants and the environment. Underdosing may result in unsuccessful plant treatment.
- In order to reduce the risk of damage to the environment and plants, do not operate the sprayer:
 - pressure is too high or too low
 - in windy conditions
 - in direct sunlight
- In order to reduce the risk of accidents and damage to the sprayer, never operate the sprayer with:
 - flammable liquids
 - viscous or sticky liquids
 - caustic or corrosive chemicals
 - liquids hotter than 50°C
- Avoid using the product in freezing weather since the solution may freeze.

TRANSPORTATION AND STORAGE

- Remove the battery pack.
- Ensure that all parts are clean and dry.
- Clean all foreign materials from the product.
- Drain all spray materials from the spray tank before storage and transportation.
- After each use, check all parts of the product for leaks. Return the product to an authorised service center for repair, if it has any.
- The spray wand can be stored in the cradle.
- For transportation, secure the product against movement or falling to prevent injury to persons or damage to the product.
- Store the product in a cool, dry and well-ventilated place that is inaccessible to children. Keep away from corrosive agents such as garden chemicals and de-icing salts. Do not store outdoors.

MAINTENANCE

Avoid using solvents when cleaning plastic parts. Most plastics are susceptible to damage from various types of commercial solvents and may be damaged by their use. Use clean cloths to remove dirt, dust, oil, or grease.

⚠ CAUTION

Do not at any time let brake fluids, gasoline, petroleum-based products, or penetrating oils, come in contact with plastic parts. Chemicals can damage, weaken or destroy plastic which may result in serious personal injury.

⚠ WARNING

Use only original manufacturer's replacement parts, accessories and attachments. Failure to do so can cause possible injury, poor performance and may void your warranty.

⚠ WARNING

Servicing requires extreme care and knowledge and should be performed only by a qualified service technician. For service we suggest you return the product to an authorized service center for repair. When servicing, use only identical replacement parts.

⚠ WARNING

To avoid serious personal injury, always remove the battery pack from the product when cleaning or performing any maintenance.

- Only make adjustments or repairs described in this manual. For other repairs, contact an authorised service centre.
- After each use, clean the product as prescribed in this manual.
- Drain and empty the spray tank before cleaning.
- Drain the spray materials through the fill area.

NOTE: Drain all of the spray materials from the spray tank into a container approved for chemicals. Do not store chemicals in the spray tank.

- Use clean water to clean and rinse the spray tank. A small amount of mild household detergent may be added.
- Wipe the product with a clean, dry cloth.
- It may be necessary to rinse the spray tank more than once.

DISPOSAL

Never dispose residual chemicals or contaminated rinsing solutions in waterways, drains, sewers, street gutters, or manholes.

Dispose residual chemicals and used containers in accordance with local waste disposal regulations.

RESIDUAL RISKS

Even when the product is used as prescribed, it is still impossible to completely eliminate certain residual risk factors. The following hazards may arise and the operator should pay special attention to avoid the following:

- Electric shock. Never spray liquid towards electrical sockets, cables, or appliances.

- Contact with hazardous substances. Spray materials may be harmful if inhaled, ingested, or comes in contact with skin or eyes. Follow instructions carefully and wear appropriate protective equipment as prescribed in this manual.

⚠ WARNING

Injuries may be caused or aggravated by prolonged use of a tool. When using any tool for prolonged periods, ensure you take regular breaks.

KNOW YOUR PRODUCT

See page 135.

PARTS

1. Spray tank cover/measuring cup
2. Spray wand handle
3. On/off button
4. Trigger with lock-on
5. Battery port
6. Spray wand
7. Nozzle
8. Hose
9. Motor housing
10. Tank
11. Latch (x2)
12. Battery
13. Charger

SYMBOLS ON THE PRODUCT



Safety alert



Read and understand all instructions before operating the product, follow all warnings and safety instructions.



Wear eye protection.



Wear a mask.



Wear non-slip, liquid-resistant gloves.



Wear non-slip safety footwear when using the product.



Do not expose to rain or damp condition.



Conforms to all regulatory standards in the country in the EU where the product is purchased.



EurAsian Conformity Mark






Ukrainian mark of conformity



Waste electrical products should not be disposed of with household waste. Please recycle where facilities exist. Check with your local authority or retailer for recycling advice.

The following signal words and meanings are intended to explain the levels of risk associated with the product:

-  **DANGER** Indicates an imminently hazardous situation, which, if not avoided, will result in death or serious injury.
-  **WARNING** Indicates a potentially hazardous situation, which, if not avoided, could result in death or serious injury.
-  **CAUTION** Indicates a potentially hazardous situation, which, if not avoided, may result in minor or moderate injury.
- CAUTION** (Without safety alert symbol) Indicates a situation that may result in property damage.

SYMBOLS IN THIS MANUAL



Stop the product.



Lock



Unlock



Parts or accessories sold separately



Note



Warning

EN

FR

DE

ES

IT

NL

PT

DA

SV

FI

NO

RU

PL

CS

HU

RO

LV

LT

ET

HR

SL

SK

BG

UK

TR

La plus grande priorité a été donnée à la sécurité, aux performances et à la fiabilité de votre pulvérisateur sans-fil lors de sa conception.

UTILISATION PRÉVUE

Ce pulvérisateur est destiné à être utilisé à l'extérieur dans une zone bien ventilée.

Ce produit est destiné à la pulvérisation de produits chimiques pour particuliers et pour le jardin tels que : insecticides, fongicides, désherbants, et engrais. Ce produit peut également être utilisé pour l'arrosage.

N'utilisez pas le produit pour un usage autre que ceux listés ci-dessus. Le produit ne doit pas être utilisé par des enfants ou par des personnes ne portant pas des équipements et vêtements de sécurité.

AVERTISSEMENTS GÉNÉRAUX DE SÉCURITÉ

▲ AVERTISSEMENT

Lisez tous les avertissements de sécurité et toutes les instructions. Le non-respect des avertissements et instructions peut entraîner une décharge électrique, un incendie et/ou de graves blessures.

Conserver tous les avertissements et toutes les instructions pour pouvoir s'y reporter ultérieurement.

Le terme «outil» dans les avertissements fait référence à votre outil électrique alimenté par le secteur (avec cordon d'alimentation) ou votre outil fonctionnant sur batterie (sans cordon d'alimentation).

SÉCURITÉ DE LA ZONE DE TRAVAIL

- **Conserver la zone de travail propre et bien éclairée.** Les zones en désordre ou sombres sont propices aux accidents.
- **Ne pas faire fonctionner les outils électriques en atmosphère explosive, par exemple en présence de liquides inflammables, de gaz ou de poussières.** Les outils électriques produisent des étincelles qui peuvent enflammer les poussières ou les fumées.
- **Maintenir les enfants et les personnes présentes à l'écart pendant l'utilisation de l'outil.** Les distractions peuvent vous faire perdre le contrôle de l'outil.

SÉCURITÉ ÉLECTRIQUE

- **Il faut que les fiches de l'outil électrique soient adaptées au socle. Ne jamais modifier la fiche de quelque façon que ce soit. Ne pas utiliser d'adaptateurs avec des outils à branchement de terre.** Des fiches non modifiées et des socles adaptés réduiront le risque de choc électrique.
- **Éviter tout contact du corps avec des surfaces reliées à la terre telles que les tuyaux, les radiateurs, les cuisinières et les réfrigérateurs.** Il existe un risque accru de choc électrique si votre corps est relié à la terre.
- **Ne pas exposer les outils à la pluie ou à des conditions humides.** La pénétration d'eau à l'intérieur d'un outil augmentera le risque de choc électrique.

- **Ne pas maltraiter le cordon. Ne jamais utiliser le cordon pour porter, tirer ou débrancher l'outil. Maintenir le cordon à l'écart de la chaleur, du lubrifiant, des arêtes ou des parties en mouvement.** Des cordons endommagés ou emmêlés augmentent le risque de choc électrique.
- **Lorsqu'on utilise un outil à l'extérieur, utiliser un prolongateur adapté à l'utilisation extérieure.** L'utilisation d'un cordon adapté à l'utilisation extérieure réduit le risque de choc électrique.
- **Si l'usage d'un outil dans un emplacement humide est inévitable, utiliser une alimentation protégée par un dispositif à courant différentiel résiduel (RCD).** L'usage d'un RCD réduit le risque de choc électrique.

SÉCURITÉ DES PERSONNES

- **Rester vigilant, regarder ce que vous êtes en train de faire et faire preuve de bon sens dans votre utilisation de l'outil. Ne pas utiliser un outil lorsque vous êtes fatigué ou sous l'emprise de drogues, d'alcool ou de médicaments.** Un moment d'inattention en cours d'utilisation d'un outil peut entraîner des blessures graves des personnes.
 - **Utiliser un équipement de sécurité. Toujours porter une protection pour les yeux.** Les équipements de sécurité tels que les masques contre les poussières, les chaussures de sécurité antidérapantes, les casques ou les protections acoustiques utilisés pour les conditions appropriées réduiront les blessures de personnes.
 - **Éviter tout démarrage intempestif. Assurez-vous que l'interrupteur est en position "arrêt" avant la connexion au secteur et/ou l'insertion de la batterie, ainsi qu'avant de saisir ou de transporter l'outil.** Le transport d'un outil électrique avec votre doigt sur l'interrupteur ou la mise sous tension d'un outil dont l'interrupteur est en position "marche" est propice aux accidents.
 - **Retirer toute clé de réglage avant de mettre l'outil en marche.** Porter les outils en ayant le doigt sur l'interrupteur ou brancher des outils dont l'interrupteur est en position marche est source d'accidents.
 - **Ne pas se précipiter. Garder une position et un équilibre adaptés à tout moment.** Cela permet un meilleur contrôle de l'outil dans des situations inattendues.
 - **S'habiller de manière adaptée. Ne pas porter de vêtements amples ou de bijoux. Garder les cheveux, les vêtements et les gants à distance des parties en mouvement.** Des vêtements amples, des bijoux ou les cheveux longs peuvent être pris dans des parties en mouvement.
 - **Si des dispositifs sont fournis pour le raccordement d'équipements pour l'extraction et la récupération des poussières, s'assurer qu'ils sont connectés et correctement utilisés.** Utiliser des collecteurs de poussière peut réduire le risque dus aux poussières.
- ## UTILISATION ET ENTRETIEN DE L'OUTIL
- **Ne pas forcer l'outil. Utiliser l'outil adapté à votre application.** L'outil adapté réalisera mieux le travail et de manière plus sûre au régime pour lequel il a été construit.



EN
FR
DE
ES
IT
NL
PT
DA
SV
FI
NO
PL
RU
CS
HU
RO
LV
LT
ET
HR
SL
SK
BG
UK
TR

- **N'utilisez pas un outil électrique dont l'interrupteur marche/arrêt est inopérant.** Tout outil qui ne peut pas être commandé par l'interrupteur est dangereux et il faut le réparer.
- **Débrancher la fiche de la source d'alimentation en courant et/ou le bloc de batteries de l'outil avant tout réglage, changement d'accessoires ou avant de ranger l'outil.** De telles mesures de sécurité préventives réduisent le risque de démarrage accidentel de l'outil.
- **Conserver les outils à l'arrêt hors de la portée des enfants et ne pas permettre à des personnes ne connaissant pas l'outil ou les présentes instructions de le faire fonctionner.** Les outils sont dangereux entre les mains d'utilisateurs novices.
- **Observer la maintenance de l'outil. Vérifier qu'il n'y a pas de mauvais alignement ou de blocage des parties mobiles, des pièces cassées ou toute autre condition pouvant affecter le fonctionnement de l'outil. En cas de dommages, faire réparer l'outil avant de l'utiliser.** De nombreux accidents sont dus à des outils mal entretenus.
- **Garder affûtés et propres les outils permettant de couper.** Des outils destinés à couper correctement entretenus avec des pièces coupantes tranchantes sont moins susceptibles de bloquer et sont plus faciles à contrôler.
- **Utiliser l'outil, les accessoires et les lames etc., conformément à ces instructions, en tenant compte des conditions de travail et du travail à réaliser.** L'utilisation de l'outil pour des opérations différentes de celles prévues pourrait donner lieu à des situations dangereuses.

identiques. Cela assurera que la sécurité de l'outil est maintenue.

AVERTISSEMENTS DE SÉCURITÉ RELATIFS AU PULVÉRISATEUR

- Ne pulvérisez pas de liquides inflammables, tels que de l'essence, afin de réduire les risques d'incendie ou d'explosion.
- Respectez toujours les instructions d'utilisation, de nettoyage et de stockage du fabricant du produit chimique apposées sur le produit. Les produits chimiques doivent être entreposés hors de portée des enfants.
- Ne pulvérisez aucun produit donc vous ne connaissez pas les risques associés.
- Afin de réduire l'exposition aux produits pulvérisés, portez un équipement de sécurité homologué, tels qu'un masque facial conçu pour les pulvérisations, des gants, et autres équipements de protection adéquats.
- N'utilisez pas solvants inflammables ou de produits abrasifs pour nettoyer le produit.

⚠ AVERTISSEMENT

Gardez les produits à pulvériser éloignés de vos yeux. Si un produit de pulvérisation entre en contact avec vos yeux, rincez-les immédiatement à l'eau claire. Si l'irritation persiste, consultez immédiatement un médecin.

INSTRUCTIONS DE SÉCURITÉ ADDITIONNELLES

- Ne laissez jamais les enfants, les personnes aux capacités physiques, sensorielles ou mentales réduites ou manquant d'expérience et de connaissances, ou les personnes non familiarisées avec ces instructions utiliser ce produit.
- Soyez attentif à tout risque inhérent aux produits pulvérisés. Avant toute utilisation de pesticide ou autre produit avec le pulvérisateur, lisez attentivement l'étiquette du récipient d'origine et respectez-en les instructions.
- Gardez la zone libre de tous passants, enfants, ou animaux domestiques pendant la pulvérisation.
- Assurez-vous que la lance de pulvérisation est bien raccordée au pulvérisateur avant d'utiliser le produit. Si nécessaire, utilisez une pince pour raccorder la lance de pulvérisation à la poignée du pulvérisateur.
- Rappelez-vous de correctement remettre en place et serrer le couvercle du réservoir du pulvérisateur après l'avoir rempli.
- N'utilisez que des produits pour particuliers à base d'eau et des produits chimiques pour le jardin.
- N'utilisez pas de produits chimiques de qualité commerciale, ou destinés à une utilisation commerciale ou industrielle.
- N'utilisez pas de liquides caustiques (alcalins), exothermiques ou corrosifs (acides) avec le produit. Ils sont susceptibles de corroder les éléments métalliques ou d'affaiblir le réservoir et le tuyau.

UTILISATION DES OUTILS FONCTIONNANT SUR BATTERIES ET PRÉCAUTIONS D'EMPLI

- **Ne recharger qu'avec le chargeur spécifié par le fabricant.** Un chargeur qui est adapté à un type de bloc de batteries peut créer un risque de feu lorsqu'il est utilisé avec un autre type de bloc de batteries.
- **N'utiliser les outils qu'avec des blocs de batteries spécifiquement désignés.** L'utilisation de tout autre bloc de batteries peut créer un risque de blessure et de feu.
- **Lorsqu'un bloc de batteries n'est pas utilisé, le maintenir à l'écart de tout autre objet métallique, par exemple trombones, pièces de monnaie, clés, clous, vis ou autres objets de petite taille qui peuvent donner lieu à une connexion d'une borne à une autre.** Le court-circuitage des bornes d'une batterie entre elles peut causer des brûlures ou un feu.
- **Dans de mauvaises conditions, du liquide peut être éjecté de la batterie; éviter tout contact. En cas de contact accidentel, nettoyer à l'eau. Si le liquide entre en contact avec les yeux, rechercher en plus une aide médicale.** Le liquide éjecté des batteries peut causer des irritations ou des brûlures.

MAINTENANCE ET ENTRETIEN

- **Faire entretenir l'outil par un réparateur qualifié utilisant uniquement des pièces de rechange**





- Ne laissez pas de résidus ou de produit à pulvériser dans le réservoir du pulvérisateur après utilisation. Nettoyez après chaque utilisation.
- Ne versez pas de liquides chauds ou bouillants dans le réservoir du pulvérisateur. Ils sont susceptibles d'affaiblir ou d'endommager le tuyau ou le réservoir de pulvérisation.
- Ne remplissez pas trop le réservoir.
- Vérifiez toujours l'absence de fuites. Si vous détectez un problème, corrigez-le avant d'utiliser le produit.
- La zone à pulvériser doit être bien ventilée.
- Vérifiez toujours à la fois l'intérieur et l'extérieur du produit avant chaque utilisation.
- Les liquides à pulvériser doivent être aussi fluides que de l'eau. Les liquides épais ne se pulvériseront pas correctement.
- Les produits à pulvériser peuvent être pré-mélangés et versés dans le réservoir du pulvérisateur à l'aide d'un entonnoir, au besoin.

REMARQUE: Si vous utilisez un autre récipient doseur que celui fourni, ou si vous utilisez un entonnoir pour remplir le réservoir, nettoyez et rincez soigneusement ces éléments après utilisation. Lorsque vous pré-mélangez des produits à vaporiser, rincez le récipient utilisé pour le mélange.

- Ne pulvérisez pas en présence d'étincelles, de flammes, ou d'autres sources d'embrasement.
- Ne pulvérisez pas en direction de personnes ou d'animaux. Pulvérisez toujours dans le sens du vent.
- Ne fumez pas, ne mangez pas et ne buvez pas pendant l'utilisation du produit.
- Ne pas pulvériser directement sur la peau.
- Ne laissez pas les produits à pulvériser entrer en contact avec la peau. En cas de contact, lavez immédiatement à grande eau et avec du savon.
- Pointez la buse directement vers les plantes ou les objets à pulvériser.
- Assurez-vous que tous les produits à pulvériser sont pulvérisés vers des surfaces qui ne seront pas endommagées par ces produits.
- Évitez de pulvériser par jour venteux. Les produits à pulvériser peuvent être accidentellement soufflés vers des plantes ou des objets qui ne doivent pas être pulvérisés.
- Gardez les produits à pulvériser éloignés de vos yeux. Si un produit de pulvérisation entre en contact avec vos yeux, rincez-les immédiatement à l'eau claire. Si l'irritation persiste, consultez immédiatement un médecin.
- Ce produit peut être utilisé avec la poignée de la lance de pulvérisation soit restant dans le berceau, ou étant retirée du berceau et tenue à la main par l'opérateur.
- Risque de décharge électrique. Ne pulvérisez pas vers des prises électriques.
- Après chaque utilisation, lavez-vous soigneusement les mains ainsi que toute surface de peau susceptible d'avoir été exposée à la pulvérisation.
- Entretenez le produit. Vérifiez toujours à la fois l'intérieur et l'extérieur du produit et examinez ses éléments avant

chaque utilisation. Vérifiez que les tuyaux ne sont pas fendus et qu'ils ne fuient pas, que les buses ne sont pas bouchées, et qu'aucun élément n'est manquant ou endommagé. En cas de dommage, faites réparer le produit avant de l'utiliser. Beaucoup d'accidents sont dus à des appareils mal entretenus.

- Retirez la batterie du produit avant de le vidanger, de le nettoyer, ou de le ranger afin d'éviter toute mise en route accidentelle.

Une indication que la machine peut être soumise aux exigences nationales d'inspection ordinaire par les entités désignées tel qu'indiqué par la directive 2009/128/CE du Parlement Européen et du Conseil du 21 octobre 2009 établissant un cadre pour l'action communautaire permettant d'atteindre l'utilisation durable des pesticides.

MÉLANGER LA SOLUTION EN SPRAY

AVERTISSEMENT

Mélanger les produits chimiques en respect des instructions du fabricant. Des mélanges incorrects peuvent générer des fumées toxiques ou des solutions explosives.

- Ne jamais vaporiser des produits chimiques liquides antiparasitaires non dilués.
- Préparer la solution et remplir le conteneur uniquement à l'extérieur ou dans des endroits bien ventilés.
- Préparer uniquement la solution suffisante pour le travail de sorte à ne pas avoir de reste.
- Ne pas mélanger différents produits chimiques sauf si ce mélange est approuvé par le fabricant.

REMPLIR LE CONTENEUR

- Placer le vaporisateur sur une surface plane, ne pas remplir le conteneur au-delà de la marque maximale.
- Lors du remplissage à partir de l'alimentation principale en eau, ne pas immerger l'extrémité du tuyau dans la solution. Une pression basse soudaine dans le système peut entraîner la réaspiration de la solution dans l'alimentation en eau.
- Avant de remplir le conteneur avec la solution en spray, effectuer un test de fonctionnement avec de l'eau fraîche et vérifier toutes les parties du vaporisateur quant à d'éventuelles fuites.
- Après le remplissage, fixer le capuchon et bien le serrer.
- Accrocher une étiquette au produit pour indiquer qu'un produit chimique est utilisé.

APPLICATION

- Travailler uniquement dans des endroits ouverts ou bien ventilés, par ex. des serres ouvertes.
- Ne jamais souffler à travers des buses ou d'autres composants par la bouche.
- Éviter tout contact avec des produits chimiques antiparasitaires, changer immédiatement les vêtements contaminés avec des produits chimiques antiparasitaires.





- Ne jamais vaporiser lorsqu'il y a du vent.
- Une pression trop élevée ou trop faible ou des conditions climatiques défavorables peut entraîner une mauvaise concentration de la solution. Un surdosage peut endommager les plantes et l'environnement. Un sous-dosage peut entraîner un traitement inefficace des plantes.
- Afin de réduire le risque de dégradation de l'environnement et des plantes, ne pas utiliser le vaporisateur :
 - lorsque la pression est trop élevée ou trop faible
 - lorsqu'il y a du vent
 - sous les rayons directs du soleil
- Afin de réduire le risque d'accidents et de dégradations du vaporisateur, ne jamais utiliser le vaporisateur avec :
 - des liquides inflammables
 - des liquides visqueux ou collant
 - des produits chimiques ou corrosifs
 - des liquides supérieurs à une température de 50°C
- Éviter d'utiliser le produit par temps de gel car la solution peut geler.

TRANSPORT ET STOCKAGE

- Retirez le pack batterie.
- Assurez-vous que tous les éléments sont propres et secs.
- Débarrassez l'appareil de tous les corps étrangers.
- Drainer tous les matériaux vaporisés du réservoir du vaporisateur avant stockage et transport.
- Après chaque utilisation, vérifier toutes les pièces du produit du point de vue des fuites. Renvoyer le produit à un centre de service après-vente autorisé pour réparation, si nécessaire.
- La lance de pulvérisation peut être rangée dans le berceau.
- Pour le transport, attachez le produit pour l'empêcher de bouger ou de tomber, afin d'éviter toute blessure et tout dommage matériel.
- Rangez la en un endroit frais, sec et correctement ventilé, hors de portée des enfants. Ne la rangez pas à proximité d'agents corrosifs tels que produits chimiques de jardinage ou sels de dégel. Ne rangez pas à l'extérieur.

ENTRETIEN

Évitez d'utiliser des solvants pour nettoyer les parties en plastique. La plupart des plastiques sont susceptibles d'être endommagés par un grand nombre de solvants du commerce. Utilisez des chiffons propres pour retirer la saleté, les poussières, l'huile, la graisse, etc.

⚠ MISE EN GARDE

Ne laissez jamais du liquide de frein, de l'essence, des produits pétroliers, des huiles pénétrantes, etc. entrer en contact avec les parties en plastique. Les produits chimiques peuvent endommager, affaiblir ou détruire les plastiques, ce qui peut entraîner de graves blessures.

⚠ AVERTISSEMENT

N'utilisez que des pièces détachées et accessoires d'origine constructeur. Le non respect de cette précaution peut entraîner de mauvaises performances, des blessures, et annuler votre garantie.

⚠ AVERTISSEMENT

Les réparations demandent un soin et des connaissances extrêmes et ne doivent être effectuées que par un réparateur qualifié. Pour toute réparation, nous vous conseillons de retourner votre appareil à votre service après vente agréé le plus proche. N'utilisez que des pièces détachées identiques pour effectuer les réparations.

⚠ AVERTISSEMENT

Pour éviter de graves blessures, retirez toujours le pack batterie du produit lorsque vous le nettoyez ou que vous effectuez une quelconque opération d'entretien.

- Vous n'êtes autorisé à effectuer que les réglages ou réparations décrits dans ce manuel. Pour les autres réparations, contactez un service après-vente agréé.
 - Après chaque utilisation, nettoyez le produit de la façon décrite dans ce manuel.
 - Vidangez et purgez le réservoir du pulvérisateur avant de le nettoyer.
 - Vidangez les produits à pulvériser par l'orifice de remplissage.
- REMARQUE:** Vidangez tout produit à pulvériser du réservoir du pulvérisateur dans un bidon autorisé à contenir des produits chimiques. Ne stockez pas de produits chimiques dans le réservoir du pulvérisateur.
- Utilisez de l'eau claire pour nettoyer et rincer le réservoir du pulvérisateur. Une petite quantité de détergent ménager doux peut être ajoutée.
 - Essuyez le produit à l'aide d'un chiffon propre et sec.
 - Il peut être nécessaire de rincer le réservoir du pulvérisateur à plusieurs reprises.

ÉLIMINATION DES DÉCHETS

Ne jamais jeter les produits chimiques résiduels ou les solutions de rinçage contaminés dans les cours d'eau, les canalisations, les égouts, les grilles ou les trous d'homme. Ne jamais jeter les produits chimiques résiduels et les contenants utilisés en respect des dispositions locales de mise au rebut.

RISQUES RÉSIDUELS

Même lorsque le produit est utilisé selon les prescriptions, il reste impossible d'éliminer totalement certains facteurs de risque résiduels. Les dangers suivants risquent de se présenter en cours d'utilisation et l'utilisateur doit prêter particulièrement garde à ce qui suit :

- Décharge électrique. Ne pulvérisiez jamais de liquide en direction de prises électriques, de câbles ou d'appareils.
- Entrée en contact avec des substances dangereuses. Les produits à pulvériser peuvent être nocifs en cas



d'inhalation, d'ingestion, ou en cas de contact avec la peau ou les yeux. Suivez attentivement les instructions et portez un équipement de protection adapté tel que décrit dans ce manuel.

AVERTISSEMENT

L'utilisation prolongée d'un outil est susceptible de provoquer ou d'aggraver des blessures. Assurez-vous de faire des pauses de façon régulière lorsque vous utilisez tout outil de façon prolongée.

APPRENEZ À CONNAÎTRE VOTRE PRODUIT

Voir page 135.

PIÈCES

1. Couvercle du réservoir du pulvérisateur/doseur
2. Poignée de lance du pulvérisateur
3. Bouton Marche/arrêt
4. Gâchette avec verrouillage
5. Connexion à la batterie
6. Lance de pulvérisation
7. Buse
8. Tuyau
9. Carter moteur
10. Réservoir
11. Loquet (x2)
12. Batterie
13. Chargeur

SYMBOLES APPLIQUÉS SUR LE PRODUIT



Avertissement



Lisez et comprenez toutes les instructions avant d'utiliser le produit, respectez tous les avertissements et toutes les instructions de sécurité.



Portez une protection oculaire



Portez un masque.



Portez des gants antidérapants, résistant aux liquides.



Portez des chaussures de sécurité antidérapantes lorsque vous utilisez le produit.



Ne pas exposer à la pluie ou à des conditions humides.



Cet outil est conforme à l'ensemble des normes réglementaires du pays de l'UE où il a été acheté.



Marque de qualité EurAsian



Marque de conformité ukrainienne



Les produits électriques hors d'usage ne doivent pas être jetés avec les ordures ménagères. Recyclez-les par l'intermédiaire des structures disponibles. Contactez les autorités locales pour vous renseigner sur les conditions de recyclage.

Les signaux et mots suivants sont destinés à indiquer le niveau de risque associé au produit :



Situation potentiellement dangereuse qui, si l'on n'y prend garde, peut entraîner la mort ou des blessures graves.



Situation potentiellement dangereuse qui, si l'on n'y prend garde, peut entraîner la mort ou des blessures graves.



Situation potentiellement dangereuse qui, si l'on n'y prend garde, peut entraîner des blessures moyennes ou légères.

MISE EN GARDE

(Sans symbole d'alerte de sécurité) Indique une situation pouvant entraîner des dommages matériels.

SYMBOLES DE CE MANUEL



Arrêtez l'appareil.



Verrouillage



Déverrouillage



Pièces détachées et accessoires vendus séparément



Remarque



Avertissement

EN

FR

DE

ES

IT

NL

PT

DA

SV

FI

NO

RU

PL

CS

HU

RO

LV

LT

ET

HR

SL

SK

BG

UK

TR

Sicherheit, Leistung und Zuverlässigkeit hatten bei dem Design Ihres Akku-Drucksprühers oberste Priorität.

BESTIMMUNGSGEMÄSSE VERWENDUNG

Der Drucksprüher ist für die Benutzung im Freien, in einem gut belüfteten Bereich, vorgesehen.

Das Produkt wurde zum Versprühen von Heim- und Gartenchemikalien für den Hausgebrauch, wie Insektizide, Fungizide, Unkrautvernichter und Düngemittel, entwickelt. Das Produkt kann auch zum Bewässern von Pflanzen benutzt werden.

Verwenden Sie das Produkt nicht für andere, als die oben aufgeführten Zwecke. Das Produkt darf nicht von Kindern oder Personen, die nicht die erforderliche persönliche Schutzausstattung und -kleidung tragen, verwendet werden.

ALLGEMEINE SICHERHEITSWARNUNGEN

WARNUNG

Lesen Sie alle Sicherheitshinweise und Anweisungen. Versäumnisse bei der Einhaltung der Sicherheitshinweise und Anweisungen können elektrischen Schlag, Brand und/oder schwere Verletzungen verursachen.

Bewahren Sie alle Sicherheitshinweise und Anweisungen für die Zukunft auf.

Der in den Sicherheitshinweisen verwendete Begriff „Elektrowerkzeug“ bezieht sich auf netzbetriebene Elektrowerkzeuge (mit Netzkabel) und auf akkubetriebene Elektrowerkzeuge (ohne Netzkabel).

ARBEITSPLATZSICHERHEIT

- **Halten Sie Ihren Arbeitsbereich sauber und gut beleuchtet.** Unordnung oder unbeleuchtete Arbeitsbereiche können zu Unfällen führen.
- **Arbeiten Sie mit dem Elektrowerkzeug nicht in explosionsgefährdeter Umgebung, in der sich brennbare Flüssigkeiten, Gase oder Stäube befinden.** Elektrowerkzeuge erzeugen Funken, die den Staub oder die Dämpfe entzünden können.
- **Halten Sie Kinder und andere Personen während der Benutzung des Elektrowerkzeugs fern.** Bei Ablenkung können Sie die Kontrolle über das Gerät verlieren.

ELEKTRISCHE SICHERHEIT

- **Der Anschlussstecker des Elektrowerkzeuges muss in die Steckdose passen.** Der Stecker darf in keiner Weise verändert werden. Verwenden Sie keine Adapterstecker gemeinsam mit schutzgeerdeten Elektrowerkzeugen. Unveränderte Stecker und passende Steckdosen verringern das Risiko eines elektrischen Schlages.
- **Vermeiden Sie Körperkontakt mit geerdeten Oberflächen wie von Rohren, Heizungen, Herden und Kühlschränken.** Es besteht ein erhöhtes Risiko durch elektrischen Schlag, wenn Ihr Körper geerdet ist.

- **Halten Sie Elektrowerkzeuge von Regen oder Nässe fern.** Das Eindringen von Wasser in ein Elektrowerkzeug erhöht das Risiko eines elektrischen Schlages.
- **Zweckfremden Sie das Kabel nicht, um das Elektrowerkzeug zu tragen, aufzuhängen oder um den Stecker aus der Steckdose zu ziehen. Halten Sie das Kabel fern von Hitze, Öl, scharfen Kanten oder sich bewegenden Geräteteilen.** Beschädigte oder verwickelte Kabel erhöhen das Risiko eines elektrischen Schlages.
- **Wenn Sie mit einem Elektrowerkzeug im Freien arbeiten, verwenden Sie nur Verlängerungskabel, die auch für den Außenbereich geeignet sind.** Die Anwendung eines für den Außenbereich geeigneten Verlängerungskabels verringert das Risiko eines elektrischen Schlages.
- **Wenn der Betrieb des Elektrowerkzeuges in feuchter Umgebung nicht vermeidbar ist, verwenden Sie einen Fehlerstromschutzschalter.** Der Einsatz eines Fehlerstromschutzschalters vermindert das Risiko eines elektrischen Schlages.

SICHERHEIT VON PERSONEN

- **Seien Sie aufmerksam, achten Sie darauf, was Sie tun und gehen Sie mit Vernunft an die Arbeit mit einem Elektrowerkzeug. Benutzen Sie kein Elektrowerkzeug, wenn Sie müde sind oder unter dem Einfluss von Drogen, Alkohol oder Medikamenten stehen.** Ein Moment der Unachtsamkeit beim Gebrauch des Elektrowerkzeuges kann zu ernsthaften Verletzungen führen.
- **Tragen Sie persönliche Schutzausrüstung. Immer eine Schutzbrille.** Das Tragen persönlicher Schutzausrüstung, wie Staubmaske, rutschfeste Sicherheitsschuhe, Schutzhelm oder Gehörschutz, je nach Art und Einsatz des Elektrowerkzeuges, verringert das Risiko von Verletzungen.
- **Vermeiden Sie eine unbeabsichtigte Inbetriebnahme.** Vergewissern Sie sich, dass das Elektrowerkzeug ausgeschaltet ist, bevor Sie es an die Stromversorgung und/oder den Akku anschließen, es aufnehmen oder tragen. Wenn Sie beim Tragen des Elektrowerkzeuges den Finger am Schalter haben oder das Gerät eingeschaltet an die Stromversorgung anschließen, kann dies zu Unfällen führen.
- **Entfernen Sie Einstellwerkzeuge oder Schraubenschlüssel, bevor Sie das Elektrowerkzeug einschalten.** Ein Werkzeug oder Schlüssel, der sich in einem drehenden Geräteteil befindet, kann zu Verletzungen führen.
- **Vermeiden Sie eine abnormale Körperhaltung. Sorgen Sie für einen sicheren Stand und halten Sie jederzeit das Gleichgewicht.** Dadurch können Sie das Elektrowerkzeug in unerwarteten Situationen besser kontrollieren.
- **Tragen Sie geeignete Kleidung. Tragen Sie keine weite Kleidung oder Schmuck. Halten Sie Haare, Kleidung und Handschuhe fern von sich bewegenden Teilen.** Lockere Kleidung, Schmuck



oder lange Haare können von sich bewegenden Teilen erfasst werden.

- **Wenn Staubabsaug- und -auffangeinrichtungen montiert werden können, vergewissern Sie sich, dass diese angeschlossen sind und richtig verwendet werden.** Verwendung einer Staubabsaugung kann Gefährdungen durch Staub verringern.

VERWENDUNG UND BEHANDLUNG DES ELEKTROWERKZEUGES

- **Überlasten Sie das Gerät nicht. Verwenden Sie für Ihre Arbeit das dafür bestimmte Elektrowerkzeug.** Mit dem passenden Elektrowerkzeug arbeiten Sie besser und sicherer im angegebenen Leistungsbereich.
- **Benutzen Sie kein Elektrowerkzeug, dessen Schalter defekt ist.** Ein Elektrowerkzeug, das sich nicht mehr ein- oder ausschalten lässt, ist gefährlich und muss repariert werden.
- **Ziehen Sie den Stecker aus der Steckdose und/oder entfernen Sie den Akku, bevor Sie Geräteeinstellungen vornehmen, Zubehörteile wechseln oder das Gerät weglegen.** Diese Vorsichtsmaßnahme verhindert den unbeabsichtigten Start des Elektrowerkzeuges.
- **Bewahren Sie unbenutzte Elektrowerkzeuge außerhalb der Reichweite von Kindern auf. Lassen Sie Personen das Gerät nicht benutzen, die mit diesem nicht vertraut sind oder diese Anweisungen nicht gelesen haben.** Elektrowerkzeuge sind gefährlich, wenn sie von unerfahrenen Personen benutzt werden
- **Pflegen Sie Elektrowerkzeuge mit Sorgfalt. Kontrollieren Sie, ob bewegliche Teile einwandfrei funktionieren und nicht klemmen, ob Teile gebrochen oder so beschädigt sind, dass die Funktion des Elektrowerkzeuges beeinträchtigt ist. Lassen Sie beschädigte Teile vor dem Einsatz des Gerätes reparieren.** Viele Unfälle haben ihre Ursache in schlecht gewarteten Elektrowerkzeugen.
- **Halten Sie Schneidwerkzeuge scharf und sauber.** Sorgfältig gepflegte Schneidwerkzeuge mit scharfen Schneidkanten verklemmen sich weniger und sind leichter zu führen.
- **Verwenden Sie Elektrowerkzeug, Zubehör, Einsatzwerkzeuge usw. entsprechend diesen Anweisungen. Berücksichtigen Sie dabei die Arbeitsbedingungen und die auszuführende Tätigkeit.** Der Gebrauch von Elektrowerkzeugen für andere als die vorgesehenen Anwendungen kann zu gefährlichen Situationen führen.

VERWENDUNG UND BEHANDLUNG DES AKKUWERKZEUGES

- **Laden Sie die Akkus nur in Ladegeräten auf, die vom Hersteller empfohlen werden.** Für ein Ladegerät, das für eine bestimmte Art von Akkus geeignet ist, besteht Brandgefahr, wenn es mit anderen Akkus verwendet wird.
- **Verwenden Sie nur die dafür vorgesehenen Akkus in den Elektrowerkzeugen.** Der Gebrauch von

anderen Akkus kann zu Verletzungen und Brandgefahr führen.

- **Halten Sie den nicht benutzten Akku fern von Büroklammern, Münzen, Schlüsseln, Nägeln, Schrauben oder anderen kleinen Metalgegenständen, die eine Überbrückung der Kontakte verursachen könnten.** Ein Kurzschluss zwischen den Akkukontakten kann Verbrennungen oder Feuer zur Folge haben.
- **Bei falscher Anwendung kann Flüssigkeit aus dem Akku austreten; vermeiden Sie den Kontakt damit. Bei zufälligem Kontakt mit Wasser abspülen. Wenn die Flüssigkeit in die Augen kommt, nehmen Sie zusätzlich ärztliche Hilfe in Anspruch.** Austretende Akkuflüssigkeit kann zu Hautreizungen oder Verbrennungen führen.

SERVICE

- **Lassen Sie Ihr Elektrowerkzeug nur von qualifiziertem Fachpersonal und nur mit Original-Ersatzteilen reparieren.** Damit wird sichergestellt, dass die Sicherheit des Elektrowerkzeuges erhalten bleibt.

SICHERHEITSWARNUNGEN FÜR DRÜCKSPRÜHER

- Sprühen Sie keine brennbaren Flüssigkeiten, wie Benzin, um die Gefahr von Feuer oder Explosionen zu verringern.
- Befolgen Sie immer die auf dem Produktetikett gedruckten Anweisungen des Chemikalienherstellers zur Benutzung, Reinigung und Lagerung. Chemikalien müssen außerhalb Reichweite von Kindern aufbewahrt werden.
- Versprühen Sie kein Material, von dem die möglichen Gefahren unbekannt sind.
- Tragen Sie geeignete Schutzausrüstung, wie eine zum Sprühen vorgesehene Gesichtsmaske, Handschuhe und andere geeignete Schutzausrüstung, um die Belastung durch Sprühmaterialien zu verringern.
- Benutzen Sie keine brennbare Lösungsmittel oder scheuernde Reinigungsmittel, um das Produkt zu reinigen.

⚠️ WARNUNG

Halten Sie Sprühmaterialien von den Augen fern. Falls die Augen in Kontakt mit dem Sprühmaterial geraten sollten, waschen Sie sie sofort mit sauberem Wasser aus. Wenn die Reizung immer noch vorhanden ist, suchen Sie sofort medizinische Hilfe.

ZUSÄTZLICHE SICHERHEITSWARNUNGEN

- Lassen Sie niemals Kinder, Personen mit eingeschränkten körperlichen, sensorischen oder mentalen Fähigkeiten oder mangelnder Erfahrung und Wissen oder Personen die mit diesen Anweisungen nicht vertraut sind das Produkt benutzen.
- Seien Sie sich aller möglicher Gefahren des

EN
FR
DE
ES
IT
NL
PT
DA
SV
FI
NO
RU
PL
CS
HU
RO
LV
LT
ET
HR
SL
SK
BG
UK
TR





Sprühmaterials bewusst. Bevor Sie Pestizide oder andere Sprühmaterialien mit dem Druckspüher benutzen, lesen Sie das Etikett des Originalbehälters sorgfältig und befolgen Sie die Anweisungen.

- Halten Sie den Bereich frei von allen Zuschauern, Kindern, und Haustieren, während Sie sprühen.
- Stellen Sie sicher, dass die Sprühlanze sicher an dem Griff Sprühlanze befestigt ist, bevor Sie das Produkt benutzen. Falls nötig, benutzen Sie eine Zange, um die Sprühlanze an dem Griff zu befestigen.
- Vergessen Sie nicht den Deckel des Sprühbehälters richtig zu schließen, nachdem Sie Flüssigkeit in den Tank gegossen haben.
- Benutzen Sie nur wasser-basierte Rasen- und Garten-Chemikalien.
- Benutzen Sie keine handelsüblichen Chemikalien oder Chemikalien für kommerzielle oder industrielle Zwecke.
- Benutzen Sie keine ätzende (Alkali), selbsterhitzende oder korrosive (Säure) Flüssigkeiten mit dem Produkt. Diese können Metallteile korrodieren oder den Tank und Schlauch schwächen/beschädigen.
- Lassen Sie nach der Benutzung des Drucksprüher keine Reste oder Sprühmaterial in dem Sprühbehälter. Nach jeder Benutzung reinigen.
- Gießen Sie keine heißen oder kochenden Flüssigkeiten in den Sprühbehälter. Diese können den Schlauch oder Sprühbehälter schwächen/beschädigen.
- Überfüllen Sie den Tank nicht.
- Überprüfen Sie das Produkt immer auf Undichtigkeiten/ Lecks. Sollten Sie Undichtigkeiten finden, müssen diese repariert werden, ehe Sie das Produkt benutzen.
- Der Sprühbereich muss gut belüftet sein.
- Überprüfen Sie immer vor jeder Benutzung die Innen- und Außenseite des Produktes.
- Zu sprühende Flüssigkeiten müssen so dünn wie Wasser sein. Dickere Flüssigkeiten werden nicht richtig versprüht werden.
- Sprühmaterialien können vorgemischt und in den Sprühbehälter (falls nötig mit einem Trichter) gegossen werden.

HINWEIS: Wenn Sie einen anderen Messbehälter als den Messbecher benutzen oder einen Trichter zum Befüllen des Tanks verwenden, reinigen und spülen Sie diese Gegenstände gründlich nach der Benutzung. Wenn Sie die Sprühmaterialien vormischen, spülen Sie den Mischbehälter aus.

- Sprühen Sie nicht dort wo Funken, Flammen oder andere Zündquellen vorhanden sind.
- Sprühen Sie nicht in die Richtung von Personen oder Tieren. Sprühen Sie immer mit dem Wind.
- Rauchen, essen oder trinken Sie nicht, wenn Sie das Produkt benutzen.
- Nicht direkt auf die Haut sprühen.
- Lassen Sie das Sprühmaterial nicht in Kontakt mit Haut geraten. Wenn ein Kontakt erfolgte, sofort mit Seife und viel Wasser waschen.
- Richten Sie die Düse direkt auf die Pflanzen oder Gegenstände, die Sie besprühen wollen.

- Stellen Sie sicher, dass die Sprühmaterialien in einen Bereich versprüht werden, der nicht von den Sprühmaterialien beschädigt wird.
- Vermeiden Sie das Sprühen an windigen Tagen. Die Sprühmaterialien können versehentlich auf Pflanzen oder Gegenstände, die nicht besprüht werden sollen geblasen werden.
- Halten Sie Sprühmaterialien von den Augen fern. Falls die Augen in Kontakt mit dem Sprühmaterial geraten sollten, waschen Sie sie sofort mit sauberem Wasser aus. Wenn die Reizung immer noch vorhanden ist, suchen Sie sofort medizinische Hilfe.
- Der Drucksprüher kann sowohl mit der Sprühlanze in der Halterung als auch händisch am Griff Sprühlanze vom Nutzer benutzt werden.
- Gefahr von Stromschlag. Sprühen Sie nicht in die Richtung von Steckdosen.
- Waschen Sie Ihre Hände und den Bereich, wo die Haut dem Sprühnebel ausgesetzt war gründlich nach jedem Gebrauch.
- Warten Sie das Produkt. Überprüfen Sie die Innenseite und Außenseite des Produktes und die Komponenten gründlich vor jeder Benutzung. Überprüfen Sie auf gerissene oder abgenutzte Schläuche, Undichtigkeiten, verstopfte Düsen und fehlende oder beschädigte Teile. Lassen Sie das Produkt bei Beschädigung vor dem Gebrauch reparieren. Viele Unfälle werden durch schlecht gepflegte Geräte verursacht.
- Entfernen Sie den Akku aus dem Produkt bevor Sie es entleeren, reinigen oder lagern, um unbeabsichtigtes Starten zu vermeiden.

Ein Hinweis darauf, dass die Vorrichtung nationalen Vorschriften für eine regelmäßige Überprüfung durch bezeichnete Stellen, wie in der Richtlinie 2009/128/EG des Europäischen Parlaments und des Rates vom 21. Oktober 2009 über einen Aktionsrahmen der Gemeinschaft für die nachhaltige Verwendung von Pestiziden vorgesehen, unterliegen kann.

MISCHEN DER SPRÜHLÖSUNG

WARNUNG

Mischen Sie die Chemikalien streng nach den Anweisungen des Herstellers. Falsche Gemische können giftige Dämpfe oder explosive Lösungen hervorrufen.

- Sprühen Sie niemals flüssige Chemikalien zur Pflanzenkontrolle, wenn sie unverdünnt sind.
- Bereiten Sie die Lösung vor und befüllen Sie den Behälter nur im Freien oder an gut belüfteten Orten.
- Nehmen Sie nur eine ausreichende Menge an Lösung für die zu erledigende Arbeit, so dass nichts übrig bleibt.
- Mischen Sie nicht verschiedene Chemikalien, es sein denn, eine solche Mischung ist vom Hersteller zugelassen.





EN
FR
DE
ES
IT
NL
PT
DA
SV
FI
NO
RU
PL
CS
HU
RO
LV
LT
ET
HR
SL
SK
BG
UK
TR

BEFÜLLEN DES BEHÄLTERS

- Stellen Sie das Sprühgerät auf eine ebene Fläche. Füllen Sie den Behälter nicht über die Maximum-Markierung.
- Wenn Sie Wasser von der zentralen Wasserversorgung aus einfüllen, tauchen Sie das Ende des Schlauches nicht in die Lösung ein. Plötzlicher Niederdruck im System kann dazu führen, dass die Lösung zurück in das Wasserversorgungssystem gesaugt wird.
- Bevor Sie den Behälter mit Sprühlösung befüllen, führen Sie einen Testlauf mit frischem Wasser durch und überprüfen Sie alle Teile des Sprühgeräts auf undichte Stellen.
- Setzen Sie nach dem Befüllen den Einfülldeckel wieder auf und ziehen Sie ihn fest.
- Befestigen Sie ein Schild am Produkt mit einer Mitteilung, welche Chemikalien verwendet werden.

ANWENDUNG

- Arbeiten Sie nur im Freien oder an gut belüfteten Orten, z. B. in offenen Gewächshäusern.
- Blasen Sie niemals mit dem Mund durch die Düsen oder andere Komponenten.
- Vermeiden Sie den Kontakt mit den Chemikalien zur Pflanzenkontrolle. Wechseln Sie Kleidung sofort, die mit Chemikalien zur Pflanzenkontrolle kontaminiert wurde.
- Nicht bei windigen Bedingungen sprühen.
- Ein zu hoher oder zu niedriger Druck oder ungünstige Witterungsbedingungen können eine falsche Konzentration der Lösung verursachen. Eine Überdosierung kann Pflanzen und die Umwelt schädigen. Eine Unterdosierung kann eine erfolglose Pflanzenbehandlung zur Folge haben.
- Um das Risiko von Schäden an der Umwelt und an den Pflanzen zu reduzieren, verwenden Sie das Sprühgerät bei folgenden Bedingungen nicht:
 - bei zu hohem oder zu niedrigem Druck
 - bei starkem Wind
 - in direktem Sonnenlicht
- Um das Risiko von Unfällen und Schäden am Sprühgerät zu reduzieren, verwenden Sie das Sprühgerät niemals mit:
 - entflammaren Flüssigkeiten
 - viskosen oder klebrigen Flüssigkeiten
 - ätzenden Chemikalien
 - Flüssigkeiten heißer als 50 °C
- Vermeiden Sie die Verwendung des Produkts bei Minustemperaturen, da die Lösung einfrieren kann.

TRANSPORT UND LAGERUNG

- Entnehmen Sie den Akku.
- Stellen Sie sicher, dass alle Teile sauber und trocken sind.
- Entfernen Sie alle Fremdkörper vom Produkt.
- Lassen Sie den Sprühbehälter komplett leerlaufen und entfernen Sie alle Sprühmaterialien aus dem Behälter, bevor Sie das Gerät lagern oder transportieren.

- Prüfen Sie nach jedem Einsatz alle Teile des Produkts auf undichte Stellen. Reparaturen sollten von einem autorisierten Servicecenter durchgeführt werden, falls erforderlich.
- Die Sprühlanze kann in der Halterung aufbewahrt werden.
- Sichern Sie die Maschine beim Transport gegen Bewegung oder Fallen, um Verletzungen und Beschädigung der Maschine zu verhindern.
- Lagern Sie das Produkt an einem kühlen, trockenen und gut belüfteten Ort, der Kindern keinen Zugang bietet. Von korrodierend wirkenden Stoffen, wie Gartenchemikalien und Enteisungssalzen, fernhalten. Nicht im Freien lagern.

WARTUNG UND PFLEGE

Vermeiden Sie beim Reinigen der Plastikteile den Einsatz von Lösungsmitteln. Die meisten Plastikteile können durch den Gebrauch der handelsüblichen Solventien beschädigt werden, was sich auch auf ihre Leistung auswirken kann. Verwenden Sie saubere Tücher um Verunreinigungen wie Staub, Öl, Schmierstoffe usw. zu entfernen.

⚠ VORSICHT

Lassen Sie niemals Bremsflüssigkeiten, Benzine, Produkte auf Erdölbasis, Rostlöser usw. mit den Plastikteilen in Kontakt geraten. Chemikalien können Plastik beschädigen, aufweichen oder zerstören, was zu schweren Verletzungen führen kann.

⚠ WARNUNG

Verwenden Sie ausschließlich original Ersatzteile, Zubehör und Aufsätze des Herstellers. Nichtbefolgung kann mögliche Verletzungen oder schlechte Leistung verursachen und Ihre Garantie ungültig machen.

⚠ WARNUNG

Service und Wartung des Gerätes erfordert besonderen Sorgfalt und Kenntnisstand und sollte nur durch qualifiziertes Personal durchgeführt werden. Für Wartung und Reparaturen müssen Sie das Produkt zu Ihrem nächsten autorisierten Kundendienst bringen. Beim Service sollten Sie nur originale Ersatzteile benutzen.

⚠ WARNUNG

Entfernen Sie zur Vermeidung schwerer Verletzungen bei der Reinigung oder der Durchführung anderer Wartungsarbeiten immer erst den Akku aus dem Produkt.

- Sie dürfen nur die in dieser Bedienungsanleitung beschriebenen Einstellungen oder Reparaturen durchführen. Kontaktieren Sie Ihren autorisierten Kundendienst für andere Reparaturen.
- Reinigen Sie das Produkt nach jedem Gebrauch wie in dieser Bedienungsanleitung vorgeschrieben.



- Entleeren Sie den Sprühbehälter vor der Reinigung.
- Entleeren Sie das Sprühmaterial durch die Einfüllöffnung.

HINWEIS: Entleeren Sie das gesamte Sprühmaterial aus dem Tank in einen für Chemikalien zugelassenen Behälter. Lagern Sie die Chemikalien nicht in dem Sprühbehälter.

- Benutzen Sie sauberes Wasser, um den Sprühbehälter zu reinigen und auszuspülen. Eine kleine Menge Haushaltsreiniger kann hinzugefügt werden.
- Wischen Sie das Produkt mit einem sauberen, trockenen Tuch ab.
- Es kann nötig sein den Sprühbehälter mehrmals auszuspülen.

ENTSORGUNG

Entsorgen Sie niemals Restchemikalien oder kontaminierte Reinigungslösungen in Gewässern, Kanalisation, Straßenrinnen oder Schächten.

Entsorgen Sie Restchemikalien und gebrauchte Behälter in Übereinstimmung mit den örtlichen Entsorgungsvorschriften.

RESTRISIKEN

Sogar wenn das Produkt wie vorgeschrieben benutzt wird, ist es unmöglich ein gewisses Restrisiko vollständig zu beseitigen. Die folgenden Gefahren können bei der Benutzung entstehen, und der Benutzer sollte besonders auf folgende Punkte achten:

- Stromschlag. Sprühen Sie niemals Flüssigkeiten in die Richtung von Steckdosen, Kabeln oder Elektrogeräten.
- Kontakt mit gefährlichen Stoffen. Sprühmaterialien können schädlich sein, wenn sie eingeatmet, verschluckt werden oder in Kontakt mit Haut oder Augen geraten. Befolgen Sie die Anweisungen sorgfältig und tragen Sie eine geeignete Schutzausrüstung, wie in dieser Bedienungsanleitung beschrieben.

⚠️ WARNUNG

Verletzungen können durch lange Benutzung eines Werkzeugs entstehen oder verschlimmert werden. Machen Sie regelmäßig Pause, wenn Sie ein Werkzeug für lange Zeit benutzen.

MACHEN SIE SICH MIT IHREM PRODUKT VERTRAUT

Siehe Seite 135.

TEILE

1. Deckel/Messbecher des Sprühbehälters.
2. Griff Sprühlanze
3. Ein/Aus -Schalter
4. Bedientaste mit Arretierung
5. Anschluss an den Akku
6. Sprühlanze
7. Düse
8. Schlauch
9. Motorgehäuse
10. Tank

11. Lasche (x2)
12. Akku
13. Ladegerät

SYMBOLS AUF DEM PRODUKT



Sicherheitswarnung



Lesen und verstehen Sie alle Anweisungen, bevor Sie das Produkt benutzen, befolgen Sie alle Warnungen und Sicherheitsanweisungen.



Tragen Sie einen Augenschutz



Tragen Sie eine Maske.



Tragen Sie rutschfeste, flüssigkeitsabweisende Handschuhe.



Tragen Sie rutschfeste Sicherheitsschuhe, wenn Sie dieses Produkt benutzen.



Nicht Regen oder feuchten Bedingungen aussetzen.



Dieses Gerät entspricht allen gesetzlichen Normen des Landes der europäischen Union, in dem es gekauft wurde.



EurAsian Konformitätszeichen



Ukrainisches Prüfzeichen





Elektrische Geräte sollten nicht mit dem übrigen Müll entsorgt werden. Bitte entsorgen Sie diese an den entsprechenden Entsorgungsstellen. Wenden Sie sich an die örtliche Behörde oder Ihren Händler, um Auskunft über die Entsorgung zu erhalten.

Die folgenden Signalwörter und –bedeutungen sollen den mit diesem Produkt verbundenen Risikograd veranschaulichen:




GEFAHR

Weist auf eine unmittelbare gefährliche Situation hin, die bei Missachtung zu Tod oder ernsthafter Verletzung führen kann.

-  **WARNUNG**
 Bezeichnet eine mögliche Gefahrensituation, die, falls nicht vermieden, zu schweren Verletzungen führen kann.
-  **VORSICHT**
 IWeist auf eine mögliche gefährliche Situation hin, die bei Missachtung zu einer leichten oder mittleren Verletzung führen kann.
- VORSICHT**
 (Ohne Sicherheitswarnsymbol)
 Bezeichnet eine Situation die zu Sachbeschädigungen führen kann.

SYMBOLS IN DIESER BEDIENUNGSANLEITUNG

-  Das Produkt anhalten.
-  Schloß
-  Öffnen
-  Teile oder Zubehör getrennt erhältlich
-  Hinweis
-  Warnung

Seguridad, rendimiento y fiabilidad han sido la máxima prioridad a la hora de diseñar su Herbicida inalámbrico.

USO PREVISTO

El pulverizador herbicida está pensado para uso exterior en una zona bien ventilada.

El producto ha sido diseñado para pulverizar productos químicos categorizados para consumidores en casa o en el jardín, p. ej., insecticidas, fungicidas, herbicidas y fertilizantes. También puede utilizarse para regar las plantas.

No utilice el producto para cualquier otro propósito que no sea alguno de los mencionados anteriormente. El producto no debería ser utilizado por niños o por personas que no lleven ropa o un equipo adecuados de protección personal.

ALERTA DE SEGURIDAD GENERAL

ADVERTENCIA

Lea todas las advertencias de peligro e instrucciones. El incumplimiento de las advertencias e instrucciones puede provocar descargas eléctricas, incendios y/o lesiones graves.

Conserve estas advertencias e instrucciones para poder consultarlas posteriormente.

El término "herramienta eléctrica" que aparece en las advertencias se refiere a su herramienta eléctrica (con cable) o con batería (sin cables).

ZONA DE TRABAJO

- **Mantenga el área de trabajo limpia y bien iluminada.** Las zonas oscuras o poco despejadas pueden provocar accidentes.
- **No utilice herramientas eléctricas en entornos inflamables, como puede ser en presencia de líquidos inflamables, gases o polvo.** Las herramientas eléctricas crean chispas que pueden inflamar el polvo o el humo.
- **Mantenga a los niños y personas ajenas alejadas de la zona en la que está utilizando la herramienta eléctrica.** Las distracciones pueden hacer que pierda el control de la herramienta.

SEGURIDAD ELÉCTRICA

- **Las conexiones de la herramienta eléctrica deben corresponder a los de la toma de corriente. No modifique el enchufe de ninguna manera. No utilice ningún adaptador con herramientas eléctricas conectadas a tierra.** Utilizar enchufes sin modificar y tomas correspondientes reducirán el riesgo de descargas eléctricas.
- **Evite el contacto corporal con superficies conectadas a tierra, como tuberías, radiadores, estufas y refrigeradores.** Existe un mayor riesgo de descargas eléctricas si su cuerpo está conectado a tierra.
- **No exponga este producto a la lluvia o humedad.** Si entra agua en una herramienta eléctrica podría aumentar el riesgo de descargas eléctricas.

- **Utilice correctamente el cable. No utilice el cable para llevar, tirar o desconectar el cable de la herramienta. Mantenga el cable lejos del calor, aceite, bordes afilados o partes móviles.** Los cables dañados o enredados aumentan el riesgo de descargas eléctricas.
- **A la hora de utilizar herramientas eléctricas al aire libre, utilice un alargador adecuado para uso en exteriores.** El uso de un cable adecuado para uso en exteriores reduce el riesgo de descargas eléctricas.
- **Si es inevitable utilizar una herramienta eléctrica en un lugar húmedo, utilice un dispositivo de corriente residual (RCD) como protección.** El uso de un RCD reduce el riesgo de descargas eléctricas.

SEGURIDAD PERSONAL

- **Manténgase alerta y atento a lo que está haciendo y utilice el sentido común al utilizar una herramienta eléctrica. No utilice una herramienta eléctrica cuando esté cansado o bajo la influencia de drogas, alcohol o medicamentos.** En un momento de descuido, mientras utiliza herramientas eléctricas podrían ocurrir lesiones personales graves.
- **Utilice un equipo de protección personal. Utilice siempre dispositivos de protección ocular.** El equipo de protección como las máscaras de polvo, calzado antideslizante de seguridad, cascos rígidos o unas condiciones adecuadas reducirán los daños corporales.
- **Evite la puesta en marcha accidental de la herramienta. Asegúrese de que el interruptor está en posición OFF antes de conectar la herramienta a una toma de corriente y/o batería, y levantar o transportar la herramienta.** El transporte de herramientas con el dedo sobre el interruptor o la conexión de herramientas eléctricas con el interruptor en ON puede causar accidentes.
- **Extraiga cualquier llave de ajuste antes de encender la herramienta eléctrica.** Una llave que se encuentra conectada a una pieza de rotación puede resultar en lesiones personales.
- **No se extienda demasiado. Afírmese bien en sus piernas y no extienda demasiado el brazo.** Esto permite un mejor control de la herramienta eléctrica en situaciones inesperadas.
- **Lleve ropa adecuada. No use ropa holgada o joyas. Mantenga su cabello, ropa y guantes lejos de las piezas móviles.** La ropa suelta, joyas o el cabello largo pueden quedar atrapados en las piezas móviles.
- **Si existen dispositivos para la conexión de accesorios de recogida y extracción de polvo, asegúrese de que están conectados y que se utilizan adecuadamente.** El uso de accesorios de recogida de polvo puede reducir riesgos relacionados con el polvo.

USO Y CUIDADO DE LA HERRAMIENTA ELÉCTRICA

- **No fuerce el producto. Utilice la herramienta correcta para su aplicación.** La herramienta correcta hará un trabajo más seguro y mejor para el que ha sido diseñada.



- **No utilice la herramienta eléctrica si el interruptor de encendido no responde.** Cualquier herramienta que no puede ser controlada con el interruptor de encendido es peligrosa y debe ser reparada.
- **Desconecte el enchufe de la fuente de alimentación y/o extraiga la batería de la herramienta eléctrica antes de hacer cualquier ajuste, cambiar accesorios o almacenar herramientas eléctricas.** Estas medidas preventivas de seguridad reducen el riesgo de arranque accidental de la herramienta.
- **Coloque las herramientas eléctricas a ralentí fuera del alcance de los niños y no permita que personas no familiarizadas con la herramienta o con estas instrucciones la utilicen.** Las herramientas eléctricas son peligrosas en manos de personas no capacitadas.
- **Realice labores de mantenimiento de las herramientas eléctricas. Compruebe la alineación o unión de las piezas móviles, si existe rotura de piezas o cualquier otro problema que pueda afectar al funcionamiento de la herramienta. Si alguna pieza está dañada, la herramienta eléctrica debería repararse antes de volver a utilizarla.** Muchos accidentes son causados por un mantenimiento deficiente.
- **Mantenga las herramientas de corte bien afiladas y limpias.** Las herramientas de corte con bordes de corte afilados que tienen un mantenimiento adecuado reducen su deterioro y son más fáciles de controlar.
- **Utilice la herramienta, accesorios, partes eléctricas, etc., de acuerdo con estas instrucciones, teniendo en cuenta las condiciones de trabajo y el trabajo que se va a realizar.** Utilizar la herramienta eléctrica para realizar trabajos diferentes a los que esta herramienta está destinada podría dar como resultado una situación peligrosa.

USO Y CUIDADO DE LA HERRAMIENTA

- **Recargue la unidad solamente con el cargador especificado por el fabricante.** Podría haber un riesgo de incendio cuando se utilice un cargador con una batería para la que no está diseñado.
- **Utilice sólo herramientas eléctricas específicamente diseñadas para ellos.** Utilizar cualquier otro tipo de baterías puede causar lesiones o un riesgo de incendio.
- **Cuando la batería no está en uso, manténgala alejada de otros objetos metálicos como clips, monedas, llaves, clavos, tornillos u otros objetos metálicos pequeños que puedan crear una conexión desde una terminal a otra.** Causar un cortocircuito en los terminales de la batería puede causar quemaduras o un incendio.
- **En condiciones abusivas, podría salir expulsado líquido de la batería, por lo que debería evitar el contacto con éste. Si se produce un contacto accidental, enjuáguese las manos con agua. Si el líquido entra en contacto con los ojos, acuda inmediatamente al médico.** Si el líquido es expulsado de la batería y entra en contacto con él, podría causar irritación o quemaduras.

MANTENIMIENTO

- **Su herramienta eléctrica debería ser reparada por personas cualificadas, que deberían utilizar únicamente piezas de repuesto idénticas.** Esto garantizará la seguridad a la hora de utilizar la herramienta eléctrica.

ADVERTENCIAS DE SEGURIDAD RELACIONADAS CON LOS PULVERIZADORES HERBICIDAS

- No pulverice líquidos inflamables como gasolina para reducir el riesgo de incendio o explosión.
- Siga siempre las instrucciones de uso, limpieza y almacenamiento del fabricante del producto químico que aparecen impresas en la etiqueta del producto. Los productos químicos deben guardarse fuera del alcance de los niños.
- No rocíe ningún material en el que se desconozca el peligro que pueda entrañar.
- Para reducir la exposición a los materiales del spray lleve puesto el equipo de seguridad aprobado, como la mascarilla diseñada para pulverizar, los guantes y otro equipo de protección adecuado.
- No utilice agentes de limpieza abrasivos o solventes inflamables para limpiar el producto.

⚠ ADVERTENCIA

Mantenga los materiales del spray apartados de los ojos. Si los materiales del spray entran en contacto con los ojos, lávelos inmediatamente con agua limpia. Si la irritación persiste, acuda a un médico inmediatamente.

AVISOS DE SEGURIDAD ADICIONALES

- Nunca deje que utilicen este aparato niños, personas con capacidad física, sensorial o mental reducida, personas sin experiencia ni conocimientos ni personas que no estén familiarizadas con estas instrucciones.
- Preste atención a los riesgos que presentan los materiales del spray. Antes de usar cualquier pesticida u otros materiales en spray con el producto, lea atentamente la etiqueta del contenedor original y siga las instrucciones.
- Mantenga el área libre de espectadores, niños y animales mientras esté pulverizando.
- Asegúrese de que la lanza de pulverización está bien conectada al mango de la misma antes de usar el producto. Si fuera necesario, use unas pinzas para montar la lanza del spray en el mango de la lanza del spray.
- Recuerde sustituir adecuadamente y apretar la tapa del depósito del spray después de verter el líquido en el depósito del spray.
- Utilice solo productos químicos para jardín y césped a base de agua categorizados para consumidores.
- No utilice productos químicos de calidad comercial ni para fines comerciales o industriales.
- No utilice líquidos cáusticos (álcalis), que se autocalicen o que sean corrosivos (ácido) con el



producto. Pueden corroer las piezas de metal o debilitar el tanque y el tubo.

- No deje residuos o material de spray en el depósito del spray después de haber utilizado el producto. Limpie después de cada uso.
- No vierta líquidos calientes o hirviendo en el depósito del spray. Pueden dañar o debilitar el tubo o el depósito del spray.
- No rellene el depósito.
- Compruebe siempre si hay alguna filtración. Si encuentra alguno, corríjalo antes de utilizar este producto.
- La zona de pulverización debe estar bien ventilada.
- Revise siempre el interior y el exterior del producto antes de cada uso.
- Los líquidos que se vayan a pulverizar deben ser tan líquidos como el agua. Los líquidos más espesos no se pulverizan bien.
- Los materiales del spray pueden mezclarse previamente y verterse en el depósito utilizando un embudo, si fuera necesario.

OBSERVACIÓN: Al utilizar un contenedor medidor que no sea el vaso medidor, o al utilizar un embudo para llenar el depósito, limpie y enjuague bien estos elementos después de usarlos. Al mezclar previamente los materiales del spray, enjuague el depósito utilizado para mezclar.

- No pulverice cuando haya cerca alguna chispa, llama o fuente de ignición.
- No pulverice en dirección a personas o animales. Pulverice siempre en la dirección del viento.
- No fume, coma ni beba mientras está utilizando el producto.
- No descargue directamente sobre la piel.
- No permita que los materiales del spray entren en contacto con la piel. En caso de contacto, lávese inmediatamente con jabón y mucha agua.
- Dirija la boquilla directamente hacia las plantas u objetos que pretende pulverizar.
- Asegúrese de que los materiales del spray se dirigen hacia una zona a la que dichos materiales no puedan dañar.
- Evite pulverizar los días de viento. Los materiales del spray pueden volar accidentalmente hacia plantas u objetos que no deberían pulverizarse.
- Mantenga los materiales del spray apartados de los ojos. Si los materiales del spray entran en contacto con los ojos, lávelos inmediatamente con agua limpia. Si la irritación persiste, acuda a un médico inmediatamente.
- El producto puede operarse con el mango de la lanza del spray apoyado sobre el soporte o puede sacarse del soporte y sujetarlo el operador.
- Puede sufrir descargas eléctricas. No pulverice en dirección a las tomas eléctricas.
- Después de cada uso, lávese bien las manos y cualquier área de la piel que haya estado expuesta al spray.
- Realice las labores de mantenimiento del producto. Inspeccione bien el interior y el exterior del producto

y examine los componentes antes de cada uso. Compruebe si hay grietas o tubos deteriorados, fugas, boquillas atoradas o si falta o está dañada alguna pieza. Si el producto está dañado, debería repararse antes de utilizarlo. Muchos accidentes son causados por productos de mantenimiento inadecuados.

- Saque la batería del producto antes de drenar, limpiar o guardar para evitar un funcionamiento accidental.

Indicación de que la maquinaria puede estar sujeta a los requisitos nacionales de inspección periódica por parte de los organismos designados, según se indica en la Directiva 2009/128/CE del Parlamento Europeo y del Consejo con fecha 21 de octubre de 2009, que establece el marco de acción comunitaria para lograr un uso sostenibles de los pesticidas.

MEZCLA DE LA SOLUCIÓN DE SPRAY

⚠ ADVERTENCIA

Mezcle los productos químicos siguiendo estrictamente las instrucciones del fabricante. Las mezclas incorrectas pueden producir humos tóxicos o soluciones explosivas.

- Nunca rocíe productos químicos líquidos para el control de las plantas sin diluirlos previamente.
- Prepare la solución y rellene el depósito únicamente al aire libre o en lugares bien ventilados.
- Prepare únicamente la solución justa para el trabajo que va a realizar, de forma que no sobre.
- No mezcle distintos productos químicos a menos que el fabricante haya aprobado dicha mezcla.

RELLENO DEL RECIPIENTE

- Coloque el rociador de pie sobre una superficie nivelada y no rellene el recipiente por encima de la marca de nivel máximo.
- Al rellenar mediante una fuente de agua corriente, no sumerja el extremo de la manguera en la solución. Una presión repentinamente baja en el sistema puede provocar que la solución sea succionada por la fuente de agua.
- Antes de rellenar el recipiente con la solución de spray, realice una prueba con agua dulce para comprobar ninguna parte del rociador tiene fugas.
- Después de rellenar, coloque la tapa de relleno y apriétela fuertemente.
- Cuelgue una etiqueta en el producto para anotar qué producto químico se está utilizando.

APARATO

- Trabaje únicamente en lugares al aire libre o bien ventilados; p. ej., invernaderos abiertos.
- No sople nunca con la boca a través de la boquilla u otros componentes.
- Evite el contacto con los productos químicos de control de las plantas y cámbiese inmediatamente en el caso de ropa contaminada con los productos químicos de control de las plantas.
- No rocíe el contenido cuando haga viento.

- Una presión demasiado baja o alta, o bien las condiciones climáticas adversas, pueden provocar una concentración incorrecta de la solución. Una dosis excesiva puede ser perjudicial para las plantas y el medioambiente. Una dosis demasiado baja puede resultar en un tratamiento inadecuado para las plantas.
- Para minimizar el riesgo de daño a las plantas y al medioambiente, no utilice el rociador:
 - cuando la presión sea demasiado baja o alta
 - haga viento
 - directamente hacia los rayos de sol
- Para minimizar el riesgo de accidente o daño en el rociador, no utilice nunca el rociador con:
 - líquidos inflamables
 - líquidos viscosos o pegajosos
 - productos químicos cáusticos o corrosivos
 - líquidos a más de 50°C de temperatura
- Evite el uso del producto con temperaturas bajo cero grados, ya que la solución se podría congelar.

TRANSPORTE Y ALMACENAMIENTO

- Extraiga la batería.
- Asegúrese de que todas las piezas están limpias y secas.
- Limpie todo el material extraño que pueda permanecer en el producto.
- Vacíe todas las partes del rociador desde el depósito, antes de almacenarlo o transportarlo.
- Después de cada uso, compruebe que no hay fugas en ninguna parte del producto. Devuelva el producto a un centro de servicio autorizado para su reparación, en el caso de que sea necesario.
- La lanza del spray puede guardarse en el soporte.
- Para transportar el producto, sujételo de modo que no se mueva ni se caiga para evitar lesiones personales o daños al producto.
- Guarde en una zona seca y bien ventilada, a la que no puedan acceder los niños. Evite el contacto con agentes corrosivos tales como productos químicos de jardinería o sales descongelantes. No almacenar al aire libre.

MANTENIMIENTO

Evite el uso de disolventes para limpiar las piezas de plástico. La mayoría de los plásticos son susceptibles a daños de varios tipos de solventes comerciales y pueden dañarse por su uso. Use un paño limpio para limpiar la suciedad, polvo, aceite, grasa, etc. de la herramienta.

⚠ ADVERTENCIA

No permita en ningún momento que las piezas de plástico entren en contacto con líquido de frenos, gasolina, productos derivados del petróleo, aceites penetrantes, etc. Las sustancias químicas pueden dañar, debilitar o destruir el plástico, lo cual puede resultar en lesiones personales graves.

⚠ ADVERTENCIA

Utilice sólo piezas y accesorios de recambio originales del fabricante. Si no lo hace podría ocurrir un mal funcionamiento, podrían producirse daños o podría quedar anulada la garantía.

⚠ ADVERTENCIA

Las reparaciones requieren tener mucho cuidado y conocimiento y sólo debe realizarse por un técnico de servicio calificado. Para obtener servicio, le sugerimos que devuelva el producto al centro de servicio autorizado más cercano para reparación. Al realizar una reparación, sólo use piezas de reemplazo idénticas.

⚠ ADVERTENCIA

Para evitar lesiones personales graves, extraiga siempre la batería del producto al limpiar o al realizar cualquier tarea de mantenimiento.

- Usted solo puede realizar los ajustes o reparaciones descritos en este manual. Para otro tipo de reparaciones póngase en contacto con un agente de servicios autorizado.
 - Después de cada uso, limpie el producto como se indica en este manual.
 - Drene y vacíe el depósito del spray antes de limpiarlo.
 - Drene los materiales del spray a través del área por donde se rellena.
- OBSERVACIÓN:** Drene todos los materiales del spray a un recipiente autorizado para químicos. No utilice el depósito del pulverizador para almacenar químicos.
- Utilice agua limpia para limpiar y enjuagar el depósito del spray. Puede añadirse una pequeña cantidad de detergente doméstico suave.
 - Limpie el producto con un paño limpio y seco.
 - Si fuera necesario, enjuague el depósito del spray más de una vez.

ELIMINACIÓN

No deseche nunca los productos químicos residuales o las soluciones de enjuague contaminadas en cauces, alcantarillas, desagües, canaletas o pozos. Deseche los productos químicos residuales y los contenedores utilizados de acuerdo con las leyes locales en materia de eliminación de residuos.

RIESGOS RESIDUALES:

- Incluso cuando se utiliza el producto según las instrucciones, sigue siendo imposible eliminar por completo ciertos factores de riesgo residuales. Los siguientes peligros pueden surgir en el uso y el operador debe prestar especial atención para evitar lo siguiente:
- Descarga eléctrica. Nunca pulverice líquido en dirección a enchufes, cables o electrodomésticos.
 - Contacto con sustancias peligrosas. Los materiales del spray pueden ser dañinos si se inhalan, ingieren o entran en contacto con la piel o los ojos. Siga las

instrucciones atentamente y lleve puesto el equipo de protección adecuado prescrito en este manual.

⚠ ADVERTENCIA

El uso prolongado de una herramienta puede causar o agravar lesiones. Al utilizar cualquier herramienta durante períodos prolongados asegúrese de tomar descansos regulares.

CONOZCA SU PRODUCTO

Véase la página 135.

PIEZAS

1. Tapa del depósito del espray/vaso medidor
2. Mango de la lanza del espray
3. Botón de encendido/apagado
4. Gatillo con cierre de seguridad
5. Conexión a la batería
6. Varilla del espray
7. Boquilla
8. Manguera
9. Cubierta del motor
10. Depósito
11. Lengüeta (x2)
12. Batería
13. Cargador

SÍMBOLOS EN EL PRODUCTO



Advertencia



Lea y comprenda todas las instrucciones antes de manipular el producto, respete las advertencias y las instrucciones de seguridad.



Utilice protección ocular



Póngase una mascarilla.



Utilice guantes antideslizantes resistentes a los líquidos.



Utilice calzado de seguridad antideslizante cuando utilice este producto.



No la exponga a la lluvia o a lugares húmedos.



Esta herramienta responde a todas las normas reglamentarias del país de la UE donde se ha comprado.



Certificado EAC de conformidad



Marca de conformidad ucraniana



Los productos eléctricos de desperdicio no deben desecharse con desperdicios caseros. Por favor recíclelos donde existan dichas instalaciones. Compruebe con su autoridad local o minorista para reciclar.

Los siguientes símbolos y sus significados pretenden explicar los niveles de riesgo asociados a este producto.



Indica una situación potencialmente peligrosa que, de no evitarse, puede ocasionar la muerte o heridas de gravedad.



Indica una situación peligrosa que, de no evitarse, puede ocasionar la muerte o heridas de gravedad.



Indica una situación potencialmente peligrosa que, de no evitarse, puede ocasionar heridas leves.

(Sin símbolo de alerta de seguridad)
ADVERTENCIA Indica una situación que puede causar daños en las cosas.

SÍMBOLOS EN ESTE MANUAL



Detener el producto.



Cierre



Desbloquear



Las piezas o accesorios se venden por separado



Nota



Advertencia



È stata data la massima priorità a sicurezza, prestazioni e affidabilità nel design di questo spruzzatore per erbacce senza cavo.

UTILIZZO RACCOMANDATO

Lo spruzzatore è progettato per essere utilizzato in esterni e in aree ben ventilate.

Prodotto progettato per spruzzare prodotti chimici per uso domestico e da giardino come insetticidi, fungicidi, diserbanti e fertilizzanti. Il prodotto potrà anche essere utilizzato per innaffiare piante.

Non utilizzare il prodotto per scopi non indicati sopra. Il prodotto non dovrà essere utilizzato da bambini o da persone che non indossino un adeguato equipaggiamento anti-infortunistico e abiti di protezione.

AVVERTENZE GENERALI DI SICUREZZA

AVVERTENZA

Leggere tutte le avvertenze di sicurezza e le istruzioni. La mancata osservanza di tutte le istruzioni potrà causare scosse elettriche, incendi e/o gravi lesioni personali.

Conservare le presenti avvertenze ed istruzioni per poterle consultare in seguito.

Il termine "elettroutensile" nelle avvertenze fa riferimento a un elettroutensile che funziona con una spina (con cavo) o a batterie (senza cavo).

AMBIENTE DI LAVORO

- **Mantenere l'area di lavoro pulita e ben illuminata.** Aree di lavoro disordinate o non illuminate adeguatamente potranno causare incidenti.
- **Non mettere in funzione gli elettroutensili in atmosfere esplosive, come in presenza di liquidi infiammabili, gas o polvere.** Gli elettroutensili creano scintille che possono causare incendi a contatto con polveri e fumi.
- **Tenere bambini ed eventuali osservatori lontani mentre si mette in funzione l'elettroutensile.** Eventuali distrazioni potranno causare una perdita di controllo.

SICUREZZA ELETTRICA

- **La spina dell'elettroutensile deve corrispondere alla presa. Non modificare la spina in alcun modo. Non utilizzare spine adattatrici con elettroutensili con messa a terra (presa di terra).** Spine non modificate e prese corrispondenti ridurranno il rischio di scosse elettriche.
- **Evitare il contatto del corpo con superfici con messa a terra come tubi, radiatori, piani cottura e refrigeratori.** Rischio aumentato di scosse elettriche se il corpo viene collegato con messa a terra.
- **Non esporre il prodotto a pioggia o umidità.** Nel caso in cui dell'acqua entrerà nell'elettroutensile il rischio di scosse elettriche aumenterà.
- **Non sottoporre a sforzi il cavo dell'alimentazione.**

Non trasportare né tirare o scolligare l'elettroutensile dal cavo. Tenere il cavo lontano da calore, olio, angoli appuntiti o parti in movimento. Cavi danneggiati o intrecciati potranno far aumentare il rischio di scosse elettriche.

- **Quando si mette in funzione un elettroutensile all'esterno, utilizzare una prolunga adatta all'esterno.** Utilizzare un cavo adatto agli esterni per ridurre il rischio di scosse elettriche.
- **Nel caso in cui non si possa fare a meno di mettere in funzione un elettroutensile in un luogo umido, utilizzare un dispositivo di corrente residua (RCD).** Utilizzare un RCD ridurrà il rischio di scosse elettriche.

SICUREZZA PERSONALE

- **Mantenere sempre l'attenzione e utilizzare buon senso quando si utilizza un elettroutensile. Non utilizzare un elettroutensile se stanchi o sotto l'influenza di droghe, alcool o farmaci.** Un momento di disattenzione durante le operazioni potrà risultare in gravi lesioni personali.
 - **Utilizzare equipaggiamento di protezione personale. Indossare sempre occhiali di protezione.** Utilizzare sempre equipaggiamento di protezione come maschere per la polvere, calzature antiscivolo, caschi o cuffie di protezione per ridurre rischi di lesioni alla persona.
 - **Prevenire l'avvio accidentale. Assicurarsi che l'interruttore sia sulla posizione off (spento) prima di collegare l'utensile all'alimentazione e/o al gruppo batterie, o prima di afferre e trasportare l'utensile.** Trasportare elettroutensili tenendo un dito sull'interruttore o con l'elettroutensile acceso potrà causare incidenti.
 - **Rimuovere eventuali chiavi o dispositivi di regolazione prima di accendere l'elettroutensile.** Una chiave o un dispositivo di blocco collegato a una parte rotante dell'utensile potrà risultare in gravi lesioni personali.
 - **Non protendersi. Rimanere bene in equilibrio sulle gambe e non distendere troppo lontano le braccia.** Ciò permetterà un miglior controllo dell'elettroutensile in situazioni inaspettate.
 - **Indossare un abbigliamento adatto. Non utilizzare abiti con parti svolazzanti o gioielli. Tenere capelli, vestiti e guanti lontani dalle parti in movimento.** Abiti con parti svolazzanti, gioielli o capelli lunghi potranno rimanere impigliati nelle parti in movimento.
 - **Nel caso in cui vengano forniti dispositivi per l'estrazione e la raccolta della polvere, assicurarsi che gli stessi siano collegati e utilizzati correttamente.** Utilizzare il sacchetto di raccolta della polvere può ridurre rischi collegati alla polvere.
- ### UTILIZZO E MANUTENZIONE ELETTROUTENSILI
- **Non forzare il prodotto. Utilizzare l'elettroutensile corretto per il proprio lavoro.** L'elettroutensile corretto svolgerà in maniera migliore e più sicura il lavoro per il quale è stato progettato.
 - **Non utilizzare l'elettroutensile se l'interruttore non si accende e spegne.** Un elettroutensile che non può



essere controllato dall'interruttore è pericoloso e deve essere riparato.

- **Scollegare la presa dall'alimentazione e/o il gruppo batterie dall'elettrodomestico prima di fare le adeguate regolazioni, cambiare gli accessori o riporre gli elettrodomestici.** Queste misure di sicurezza preventive ridurranno il rischio di avvio dell'elettrodomestico.
- **Riporre elettrodomestici lontano dalla portata dei bambini e non permettere a persone che non conoscano il funzionamento dell'elettrodomestico o queste istruzioni di metterlo in funzione.** Gli elettrodomestici possono essere pericolosi se utilizzati da personale non preparato.
- **Svolgere sempre le operazioni di manutenzione sull'elettrodomestico. Controllare l'eventuale allineamento scorretto o blocco delle parti in movimento, la rottura di parti e qualsiasi altra condizione che potrà influenzare il funzionamento dell'elettrodomestico. In caso di danni far riparare l'elettrodomestico prima di utilizzarlo.** Elettrodomestici sui quali non sono state svolte le dovute operazioni di manutenzione possono essere causa di incidenti.
- **Mantenere tutti gli utensili affilati e appuntiti.** Utensili per operazioni di taglio con parti taglienti sui quali sono state svolte le corrette operazioni di manutenzione non si bloccheranno e saranno più facili da controllare.
- **Utilizzare l'elettrodomestico, i suoi accessori, le punte ecc. assieme a queste istruzioni tenendo conto delle condizioni di lavoro e del lavoro da svolgere.** Utilizzare l'elettrodomestico per operazioni diverse da quelle indicate potrà causare situazioni pericolose.

UTILIZZO E MANUTENZIONE DI UN UTENSILE A BATTERIE

- **Ricaricare solo con il caricatore indicato dalla ditta produttrice.** Un caricatore adatto per un tipo di batterie potrà creare un rischio di incendio se utilizzato con un altro gruppo batterie.
- **Utilizzare elettrodomestici solo con i gruppi batteria indicati.** L'utilizzo di gruppi batteria diversi da quelli indicati potrà causare rischi di lesioni e incendi.
- **Quando il gruppo batterie non viene utilizzato, tenerlo lontano da oggetti in metallo come fermagli, monete, chiavi, chiodi, viti o altri piccoli oggetti che potranno fare da tramite da un terminale all'altro.** Cortocircuitare i terminali della batteria assieme potrà causare scottature o incendi.
- **Se sottoposto a stress, la batteria potrà perdere dei liquidi; evitare il contatto. Se si entra accidentalmente in contatto con tali liquidi, lavarsi immediatamente con acqua. Se il liquido entra negli occhi, rivolgersi a un medico.** Il liquido espulso dalla batteria potrà causare irritazioni o scottature.

MANUTENZIONE

- **Far svolgere la manutenzione da personale qualificato utilizzando solo parti di ricambio identiche.** Ciò permette di mantenere la sicurezza dell'elettrodomestico.

ISTRUZIONI DI SICUREZZA SPRUZZATORE PER ERBACCE

- Non spruzzare liquidi infiammabili come benzina, per ridurre il rischio di incendi o esplosioni.
- Seguire sempre le istruzioni della ditta produttrice riguardanti utilizzo, pulizia e riponimento stampate sull'involucro del prodotto. Riporre i prodotti chimici lontano dalla portata dei bambini.
- Non spruzzare sostanze i cui rischi siano sconosciuti.
- Per ridurre l'esposizione ai materiali, indossare equipaggiamento di sicurezza approvato, come un'adeguata maschera per il volto, guanti, e altri dispositivi appropriati.
- Non utilizzare solventi infiammabili o sostanze abrasive per pulire il prodotto.

⚠ AVVERTENZA

Tenere i materiali da spruzzare lontano dagli occhi. Nel caso in cui i materiali da spruzzare entreranno in contatto con gli occhi, lavarsi immediatamente con acqua pulita. In caso di irritazioni, rivolgersi immediatamente a un medico.

ULTERIORI AVVERTENZE DI SICUREZZA

- Non lasciare mai che bambini, persone con ridotte capacità fisiche, sensoriali o mentali o mancanza di esperienza e conoscenza o persone non familiari con queste istruzioni utilizzino il prodotto.
- Fare sempre attenzione ai rischi rappresentati dai materiali da spruzzare. Prima di utilizzare pesticidi o altri materiali da spruzzare con questo prodotto, leggere attentamente l'etichetta sul contenitore originale e seguire le istruzioni.
- Tenere eventuali osservatori, bambini e animali lontani durante le operazioni di lavoro.
- Assicurarsi che la bacchetta dello spruzzatore sia connessa con sicurezza al manico della bacchetta prima di utilizzare il prodotto. Se necessario, utilizzare delle pinze per collegare la bacchetta al manico dello spruzzatore.
- Ricordarsi di riposizionare e serrare correttamente il coperchio del serbatoio dello spruzzatore dopo aver versato liquido nello stesso.
- Utilizzare solo prodotti chimici per prati e giardini a base d'acqua.
- Non utilizzare sostanze chimiche commerciali o per scopi commerciali o industriali.
- Non utilizzare liquidi auto combustibili (alcali) o corrosivi (acidi) con il prodotto. Potranno corrodere le parti in metallo o indebolire il serbatoio e il tubo.
- Non lasciare residui o materiale da spruzzare nel serbatoio dopo aver utilizzato il prodotto. Pulire dopo ogni utilizzo.
- Non versare liquidi caldi o bollenti nel serbatoio dello spruzzatore. Potranno indebolire o danneggiare il tubo o il serbatoio dello spruzzatore.



- Non riempire eccessivamente il serbatoio.
- Controllare eventuali perdite. In caso contrario, correggere prima di utilizzare il prodotto.
- L'area di lavoro dovrà essere ben ventilata.
- Controllare sempre l'interno e l'esterno del prodotto prima di ogni utilizzo.
- I liquidi da spruzzare con questo dispositivo devono essere sottili come l'acqua. Liquidi più densi non potranno essere spruzzati correttamente.
- Le sostanze da spruzzare con questo dispositivo possono essere premescolate e versate nel serbatoio dello spruzzatore con un imbuto, se necessario.

NOTA: Risciacquare il contenitore dove si mescolano eventuali materiali da premiscelare prima di spruzzare. Risciacquare il contenitore dove si mescolano eventuali materiali da premiscelare prima di spruzzare.

- Non spruzzare in presenza di scintille, fiamme o altre fonti di combustione.
- Non spruzzare nella direzione di persone o animali. Spruzzare sempre sottovento.
- Non fumare, mangiare, né bere mentre si utilizza il prodotto.
- Non spruzzare direttamente sulla pelle.
- Non lasciare che i materiali spruzzati entrino in contatto con la pelle. In caso di contatto, lavarsi immediatamente con acqua e sapone.
- Puntare l'ugello direttamente verso le piante o gli oggetti da spruzzare.
- Assicurarsi che tutti i materiali a spray vengano diretti su un'area che non potranno danneggiare.
- Evitare di utilizzare il dispositivo in caso di vento. I materiali da spruzzare potranno venire accidentalmente spruzzati su piante od oggetti sui quali non si intendeva spruzzare tali prodotti.
- Tenere i materiali da spruzzare lontano dagli occhi. Nel caso in cui i materiali da spruzzare entreranno in contatto con gli occhi, lavarsi immediatamente con acqua pulita. In caso di irritazioni, rivolgersi immediatamente a un medico.
- Il prodotto potrà essere messo in funzione con il manico della bacchetta poggiato sull'area di riponimento o sostenuto dall'operatore.
- Rischio di scosse elettriche. Non spruzzare su prese elettriche.
- Dopo ogni utilizzo, lavarsi le mani e tutte le parti della pelle che sono state esposte allo spruzzatore.
- Operazioni di manutenzione. Ispezionare attentamente il prodotto all'interno e all'esterno per esaminare i componenti prima di ciascun utilizzo. Individuare eventuali tubi rotti e deteriorati, che presentano perdite o blocchi e parti mancanti o danneggiate. In caso di danni, far riparare il prodotto prima dell'utilizzo. Una scarsa manutenzione del prodotto potrà causare molti incidenti.
- Rimuovere la batteria dal prodotto prima di svolgere le operazioni di denagggio, pulizia o riponimento per evitare un avvio accidentale.

Indicazione che stabilisce che la macchina può essere assoggettata ai requisiti nazionali di normale ispezione da parte degli organi designati, come previsto dalla direttiva 2009/128/CE del Parlamento e del Consiglio Europeo del 21 ottobre 2009, che stabilisce la cornice d'azione Comunitaria sull'uso sostenibile dei pesticidi.

MISCELAZIONE DELLA SOLUZIONE DA NEBULIZZAZIONE

⚠ AVVERTENZA

Miscelare i prodotti chimici in stretta osservanza alle istruzioni del produttore. Miscele non corrette possono causare la formazione di fumi tossici o di soluzioni esplosive.

- Non nebulizzare sostanze chimiche liquide per il controllo della pianta se non sono state diluite
- L'allestimento della soluzione e il riempimento del contenitore devono essere effettuati esclusivamente all'aperto o in ambienti ben ventilati.
- Per evitare rimanenze inutilizzate, preparare solo la quantità di soluzione strettamente necessaria al lavoro attuale.
- Non mescolare tra loro sostanze chimiche diverse senza approvazione del produttore.

RIEMPIRE IL CONTENITORE

- Collocare il nebulizzatore su una superficie piana e non riempire il contenitore oltre il contrassegno di livello massimo.
- Durante il riempimento d'acqua attraverso la rete idrica, non immergere l'estremità del tubo di approvvigionamento nella soluzione. Un improvviso abbassamento della pressione nel sistema può causare il risucchio della soluzione nella rete idrica.
- Prima di riempire il contenitore con la soluzione da nebulizzare, effettuare un test di prova con acqua pulita, verificando che tutti i componenti del nebulizzatore siano a tenuta.
- Dopo il riempimento, montare il tappo del serbatoio e stringerlo saldamente.
- Appendere un'etichetta al prodotto su cui si è annotato che quella sostanza chimica è in uso.

DELL'APPLICAZIONE

- Lavorare esclusivamente all'aperto oppure in ambienti ben ventilati, ad esempio in serre aperte.
- Non soffiare mai con la bocca negli ugelli o in altri componenti.
- Evitare il contatto con le sostanze chimiche per il controllo della pianta e sostituire immediatamente gli indumenti eventualmente contaminati da tali sostanze.
- Non nebulizzare in condizioni di vento.
- Condizioni di pressione troppo alta/bassa o situazioni climatiche sfavorevoli possono comportare un'errata concentrazione della soluzione. Il sovradosaggio può danneggiare piante e ambiente. Il sottodosaggio può risultare inefficace per il trattamento della pianta.



- Per ridurre il rischio di danni all'ambiente e alle piante, non azionare il nebulizzatore:
 - Se la pressione è troppo alta o troppo bassa
 - In condizioni di vento
 - In condizioni di luce solare diretta
- Per ridurre il rischio di incidenti o di danneggiare il nebulizzatore, non azionare il dispositivo in presenza di:
 - liquidi infiammabili
 - liquidi viscosi o appiccicosi
 - sostanze chimiche caustiche o corrosive
 - liquidi a temperatura superiore a 50 °C
- Evitare di utilizzare il prodotto quando la temperatura scende sotto lo zero perché la soluzione potrebbe congelare.

TRASPORTO E RIPONIMENTO

- Rimuovere il gruppo batterie.
- Assicurarci che tutte le parti siano pulite e asciutte.
- Rimuovere eventuali materiali di scarto dal prodotto.
- Prima dello stoccaggio e del trasporto, drenare ogni materiale di nebulizzazione presente nel serbatoio del nebulizzatore.
- Dopo ogni utilizzo, controllare che nessun componente del prodotto abbia perdite. Nel caso in cui il dispositivo debba essere riparato, portarlo presso un centro di assistenza autorizzato.
- La bacchetta dello spruzzatore può essere riposta sull'area di riponimento.
- Per il trasporto, assicurare il prodotto contro ogni movimento o contro eventuali cadute per evitare lesioni a persone o danni al prodotto.
- Riporre in un luogo asciutto e ben ventilato non accessibile ai bambini, tenerlo a distanza da agenti corrosivi, come le sostanze chimiche per il giardinaggio e il fondente chimico. Non riporre all'esterno.

MANUTENZIONE

Evitare di utilizzare solventi quando si puliscono le parti in plastica. La maggior parte dei materiali plastici è soggetta a danni di vario tipo da solventi commerciali e può essere danneggiata dal contatto con gli stessi. Utilizzare un panno pulito per rimuovere tracce di sporco, polvere, olio, grasso ecc.

⚠ ATTENZIONE

Evitare che sostanze come sostanze per freni, benzina, prodotti a base di petrolio, oli penetranti, ecc. entrino in contatto con parti in plastica. Agenti chimici potranno danneggiare, indebolire o distruggere la plastica il che potrà causare gravi lesioni a persone.

⚠ AVVERTENZA

Utilizzare solo parti di ricambio, accessori e dispositivi originali della ditta produttrice. In caso contrario si potranno causare lesioni, prestazioni basse e la garanzia verrà invalidata.

⚠ AVVERTENZA

Le operazioni di manutenzione devono essere svolte con grande attenzione e accortezza solo da un tecnico qualificato. Si consiglia di riportare l'utensile al più vicino centro assistenza autorizzato per farlo riparare. Quando l'attrezzo viene riparato, utilizzare solo ricambi identici.

⚠ AVVERTENZA

Per evitare gravi lesioni alla persona, rimuovere sempre il gruppo batteria dal prodotto durante le operazioni di pulizia o manutenzione.

- Sarà solo possibile svolgere le regolazioni o riparazioni indicate nel presente manuale. Per ulteriori riparazioni, contattare il centro servizi autorizzato.
 - Dopo ogni utilizzo, pulire il prodotto come indicato nel presente manuale.
 - Drenare e svuotare il serbatoio prima delle operazioni di pulizia.
 - Drenare i materiali attraverso l'area di riempimento.
- NOTA:** Drenare tutti i materiali dal serbatoio dello spruzzatore prima del riponimento. Non riporre sostanze chimiche nel serbatoio dello spruzzatore.
- Utilizzare acqua pulita per pulire e drenare il serbatoio. E' possibile aggiungere una piccola quantità di normale detergente medio.
 - Pulire il prodotto con un panno pulito e asciutto.
 - Potrà essere necessario sciacquare il serbatoio più di una volta.

SMALTIMENTO

Non smaltire residui chimici o soluzioni di lavaggio contaminate in corsi d'acqua, scarichi, fogne, canali di scolo, o tombini.

Smaltire residui chimici e contenitori usati conformemente alle normative locali sullo smaltimento dei rifiuti.

RISCHI RESIDUI:

Anche quando il prodotto viene utilizzato come indicato, è impossibile eliminare completamente alcuni fattori di rischio residuo. Si potranno verificare i seguenti rischi durante l'utilizzo e l'operatore dovrà prestare attenzione speciale per evitare quanto segue:

- Scosse elettriche. Non spruzzare mai liquidi su prese, cavi o apparecchiature elettriche.
- Contatto con sostanze pericolose. Le sostanze da spruzzare con questo dispositivo possono essere pericolose se inalate, ingerite o se entrano in contatto con pelle e occhi. Seguire le istruzioni attentamente e indossare equipaggiamento di protezione adeguato come indicato nel presente manuale.

⚠ AVVERTENZA

Il prolungato utilizzo dell'utensile potrà causare o aggravare lesioni. Quando si utilizza questo utensile per periodi di tempo prolungati, assicurarsi di fare sempre delle pause regolari.

FAMILIARIZZARE CON IL PRODOTTO

Vedere pagina 135.

PARTI

1. Coperchio serbatoio spruzzatore / tazza di misurazione
2. Manico bacchetta spruzzatore
3. Tasto acceso/spento
4. Grilletto con dispositivo di blocco
5. Connessione alla batteria
6. Bacchetta spruzzatore
7. Ugello
8. Tubo
9. Sede motore
10. Serbatoio
11. Linguetta (x2)
12. Batteria
13. Caricatore

SIMBOLI SUL PRODOTTO



Avvertenza



Leggere e comprendere tutte le istruzioni prima di mettere in funzione il prodotto, seguire tutte le istruzioni e le avvertenze di sicurezza.



Indossare dispositivi di protezione occhi



Indossare una maschera.



Indossare guanti antiscivolo, resistenti ai liquidi.



Indossare calzature anti-scivolo con questo prodotto.



Non esporre a pioggia o umidità.



Questo apparecchio è conforme a tutte le norme vigenti nel paese dell'UE in cui è stato acquistato.



Marchio di conformità EurAsian



Marchio di conformità ucraino



I prodotti elettrici non devono essere smaltiti con i rifiuti domestici. Vi sono strutture per smaltire tali prodotti. Informarsi presso il proprio Comune o rivenditore di sicurezza per smaltire adeguatamente tali rifiuti.

Le parole e i messaggi di avvertimento spiegano i livelli di rischio associato con il prodotto.

⚠ PERICOLO

Indica una situazione pericolosa che, se non evitata attentamente, potrà causare gravi lesioni alla persona o morte.

⚠ AVVERTENZA

Indica una situazione potenzialmente pericolosa che, se non evitata attentamente, potrà causare gravi lesioni alla persona o morte.

⚠ ATTENZIONE

Indica una situazione potenzialmente pericolosa che, se non evitata attentamente, potrà causare lesioni minori o moderate alla persona.

ATTENZIONE

(Senza simbolo di allerta di sicurezza) Indica una situazione che potrà risultare in gravi danni a cose.

SIMBOLI NEL PRESENTE MANUALE



Arrestare l'utensile.



Blocco



Sblocco



Parti o accessori venduti separatamente



Note



Avvertenze

EN
FR
DE
ES

IT

NL

PT

DA

SV

FI

NO

RU

PL

CS

HU

RO

LV

LT

ET

HR

SL

SK

BG

UK

TR

Veiligheid, prestaties en betrouwbaarheid kregen voorrang in het ontwerp van uw snoerloze onkruidsproeier.

VOORGESCHREVEN GEBRUIK

De onkruidsproeier is geschikt voor buitenshuis gebruik op een goed geventileerde plaats.

Het product is ontworpen voor het sproeien van huishoudelijke chemische producten, zoals insecticiden, fungiciden, onkruidverdelgers en meststoffen. Het product kan ook worden gebruikt met waterplanten.

Gebruik het product voor andere doeleinden dan deze die hierboven zijn opgelijst. Het product mag niet worden gebruikt door kinderen of personen die geen geschikte beschermuitrusting en -kledij dragen.

ALGEMENE VEILIGHEIDSWAARSCHUWINGEN

⚠ WAARSCHUWING

Lees alle veiligheidswaarschuwingen en instructies. Wanneer niet de waarschuwingen en instructies niet opvolgt, kan dit leiden tot elektrische schok en/of ernstig letsel.

Bewaar deze waarschuwingen en voorschriften zorgvuldig om ze ook later te kunnen inzien.

De term "elektrisch gereedschap" in de waarschuwingen verwijst naar gereedschap dat met de stroomtoevoer is verbonden (met snoer) of accu-aangedreven (snoerloos) gereedschap.

WERKOMGEVING

- **Houd de werkplek schoon en goed verlicht.** Vervuilde of donkere plekken nodigen uit tot ongevallen.
- **Gebruik elektrische werktuigen niet in explosieve omgevingen, zoals in de aanwezigheid van ontvlambare vloeistoffen, gassen of stof.** Elektrisch gereedschap kan vonken veroorzaken die het stof of de gassen kunnen ontsteken.
- **Houd kinderen en omstanders weg terwijl u elektrisch gereedschap gebruikt.** Wanneer u wordt afgeleid, kunt u de controle verliezen.

ELEKTRISCHE VEILIGHEID

- **Stekkers van elektrisch gereedschap moeten overeenkomen met de contactdoos. Wijzig de stekker nooit. Gebruik geen adapters met geaarde elektrische werktuigen.** Niet-gewijzigde stekkers en overeenkomstige contactdozen zullen het risico op elektrische schok verminderen.
- **Vermijd lichaamscontact met een geaard oppervlak, zoals buizen, radiatoren, kookfornuizen en koelkasten.** Er bestaat een verhoogd risico voor elektrische schokken als uw lichaam is geaard.
- **Stel het product niet bloot aan regen of natte omstandigheden.** Water dat een elektrisch werktuig binnendringt, verhoogt het risico op elektrische schokken.
- **Misbruik het snoer niet. Gebruik het snoer nooit om het elektrisch werktuig te dragen, eraan te trekken**

of het uit de contactdoos te trekken. Houd het snoer weg van hitte, olie, scherpe randen of bewegende onderdelen. Beschadigde of verstrikte snoeren verhogen het risico op elektrische schokken.

- **Gebruik een verlengsnoer geschikt voor buitenshuis gebruik wanneer u een elektrisch werktuig buitenshuis gebruikt.** Het gebruik van een snoer dat geschikt is voor buitenshuis gebruik, vermindert het risico op elektrische schokken.
- **Als het gebruik van een elektrisch werktuig op een vochtige plaats onvermijdelijk is, gebruikt u een contactdoos die beschermd is door een aardlekschakelaar.** Het gebruik van een aardlekschakelaar vermindert het risico op elektrische schokken.

PERSOONLIJKE VEILIGHEID

- **Blijf alert, kijk naar wat u doet en gebruik uw gezond verstand wanneer u elektrisch gereedschap gebruikt. Gebruik een elektrisch werktuig niet wanneer u moe of onder de invloed van drugs, alcohol of medicijnen bent.** Een ogenblik van onoplettendheid terwijl u elektrisch gereedschap gebruikt, kan leiden tot ernstige verwondingen.
- **Gebruik een persoonlijke beschermuitrusting. Draag altijd gehoorbescherming.** Beschermunderdelen, zoals een stofmasker, antislipschoeisel, helm of gehoorbescherming dat op een geschikte manier wordt gebruikt, zal het risico op verwondingen verlagen.
- **Ongewenst starten voorkomen. Zorg ervoor dat de schakelaar zich in de uit-stand bevindt voor u de machine met een stroombron en/of accupack verbindt, de machine opheft of draagt.** Wanneer u elektrisch gereedschap draagt met de vinger op de schakelaar of wanneer het gereedschap met de stroombron is verbonden, kan dit leiden tot ongevallen.
- **Verwijder alle afstelsleutels voor u het elektrisch werktuig inschakelt.** Een sleutel die op een draaiend onderdeel van het elektrisch gereedschap werd achtergelaten, kan leiden tot verwondingen.
- **Overrek u niet. Ga altijd stevig op uw benen staan en reik niet te ver weg met uw arm.** Dit maakt een betere controle van het werktuig in onverwachte omstandigheden mogelijk.
- **Draag geen wijde kleding, dassen of sieraden die klem kunnen raken en u naar de bewegende delen toe kunnen trekken. Draag geen losse kledij of juwelen. Houd uw haar, kledij en handschoenen weg van de bewegende onderdelen.** Losse kledij, juwelen of lang haar kan in bewegende onderdelen verstrikt raken.
- **Als er apparaten worden geleverd voor de verbinding met een stofextractie en verzamelafaciliteiten, zorgt u ervoor dat deze zijn verbonden en goed worden gebruikt.** Het gebruik van een stofverzamelaar vermindert stof-gerelateerde gevaren.

GEBRUIK VAN EN ZORG VOOR UW ELEKTRISCH GE-REEDSCHAP

- **Forceer het product niet. Gebruik het correcte werktuig voor uw toepassing.** Het juiste werktuig



zal de taak beter en veiliger uitvoeren aan het tempo waarvoor het werd ontworpen.

- **Gebruik het elektrisch werktuig niet als de schakelaar het niet kan in- of uitschakelen.** Een elektrisch werktuig dat niet met behulp van de schakelaar kan worden bediend, is gevaarlijk en moet worden gerepareerd.
- **Trek de stekker uit de contactdoos en/of ontkoppel het accupack van het werktuig voor u de machine afstelt, accessoires vervangt of het werktuig opbergt.** Zulke preventieve veiligheidsmaatregelen kunnen het risico op ongewenst starten van de machine verminderen.
- **Bewaar ongebruikt elektrisch gereedschap buiten het bereik van kinderen en niet-opgeleide personen die het gereedschap of deze gebruiksaanwijzingen niet kennen.** Elektrisch gereedschap is gevaarlijk in de handen van niet-opgeleide gebruikers.
- **Onderhoud elektrisch gereedschap. Controleer op verkeerde aflijning of verstrikt raken van bewegende delen, defecten van onderdelen en alle andere situaties die de werking van het werktuig kunnen beïnvloeden. Indien beschadigd, laat u het elektrisch gereedschap repareren voor gebruik.** Veel ongevallen worden veroorzaakt door slecht onderhouden elektrische werktuigen.
- **Houd de zaagwerktuigen scherp en schoon.** Correct onderhouden zaagwerktuigen met scherpe randen zijn minder geneigd om verstrikt te raken en kunnen makkelijker worden bestuurd.
- **Gebruik het werktuig, de accessoires en werktuigonderdelen, etc. in overeenstemming met deze instructies en houd rekening met de bedrijfsomstandigheden en het uit te voeren werk.** Het gebruik van een elektrisch werktuig voor zaken die niet in het voorgeschreven gebruik zijn beschreven, kan leiden tot gevaarlijke situaties.

GEBRIJ EN ONDERHOUD VAN HET ACCU-ACCUMAGAZINE-DRIVEN WERKTUIG

- **Herlaad enkel met de oplader die door de fabrikant is gespecificeerd.** Een oplader die voor een type accupack is geschikt kan een brandgevaar betekenen wanneer het met een ander accupack wordt gebruikt.
- **Gebruik elektrisch gereedschap uitsluitend met de specifiek toegewezen accupacks.** Het gebruik van andere accupacks kan leiden tot risico's op letsels en brand.
- **Wanneer het accupack niet wordt gebruikt, moet u het weg houden van andere metalen objecten, zoals papierclips, munten, sleutels, spijkers, schroeven of andere kleine metalen voorwerpen die een verbinding kan maken van een terminal naar een andere.** De batterijterminals kortsluiten kan leiden tot brandwonden of brand.
- **In oneigenlijke omstandigheden, kan een vloeistof uit de accu lekken; vermijd contact hiermee. Als per ongeluk contact voorkomt, spoelt u met water. Als de vloeistof in contact komt met de ogen, dient u bijkomend medische hulp te raadplegen.** Vloeistof die uit de accu lekt, kan irritatie of brandwonden veroorzaken.

ONDERHOUD

- **Laat uw elektrisch gereedschap onderhouden door een gekwalificeerd onderhoudspersoon en gebruik hierbij uitsluitend identieke vervangonderdelen.** Dit zal ervoor zorgen dat de veiligheid van het werktuig wordt behouden.

VEILIGHEIDSWAARSCHUWINGEN ONKRUIDSPROEIER

- **Sproei geen ontvlambare vloeistoffen, zoals benzine, om het risico op brand of ontploffing te verminderen.**
- **Volg altijd de instructies van de fabrikant van de chemische producten, afgedrukt op het productetiket inzake gebruik, reiniging en opslag.** Chemische producten moeten buiten het bereik van kinderen worden bewaard.
- **Sproei geen materiaal wanneer de gevaren onbekend zijn.**
- **Om blootstelling aan sproeistof te verminderen, draagt u een goedgekeurde veiligheidsuitrusting, zoals een gezichtsmasker ontworpen voor sproeien, veiligheidshandschoenen en een aanvullende geschikte veiligheidsuitrusting.**
- **Gebruik geen ontvlambare oplosstoffen of schurende onderhoudsmiddelen om het product te reinigen.**

WAARSCHUWING

Houd de sproeistof weg van de ogen. Als de sproeistof in contact komt met de ogen, wast u ze onmiddellijk met schoon water uit. Als de irritatie aanhoudt, raadpleegt u onmiddellijk medische hulp.

BIJKOMENDE VEILIGHEIDSWAARSCHUWINGEN

- **Laat kinderen, personen met verminderde fysieke, zintuiglijke of mentale vermogens of een gebrek aan ervaring of kennis of mensen die niet vertrouwd zijn met deze gebruiksaanwijzingen, het product niet gebruiken.**
- **Wees voorzichtig voor gevaren die verbonden zijn met het sproeimateriaal.** Voor u een pesticide of andere sproeistof gebruikt in combinatie met het product, dient u het etiket op de originele container zorgvuldig te lezen en de instructies te volgen.
- **Houd het gebied vrij van omstanders, kinderen en huisdieren tijdens het sproeien.**
- **Zorg ervoor dat de sproeier veilig met het sproeihandvat is verbonden voor u het product gebruikt.** Indien nodig, gebruikt u een tang om de sproeier aan het sproeihandvat vast te maken.
- **Denk eraan om het sproeitankdeksel correct te vervangen en aan te spannen nadat u de vloeistof in de sproeitank hebt gegoten.**
- **Gebruik uitsluitend chemische producten voor het gazon en de tuin op waterbasis.**
- **Gebruik commerciële chemische producten of chemische producten voor commercieel of industrieel gebruik.**
- **Gebruik geen bijtende (alkalische) zelfopwarmende**

EN
FR
DE
ES
IT
NL
PT
DA
SV
FI
NO
RU
PL
CS
HU
RO
LV
LT
ET
HR
SL
SK
BG
UK
TR



of corrosieve (zure) vloeistoffen in combinatie met het product. Deze kan metalen onderdelen corroderen of de tank en slang verzwakken.

- Laat geen residu of sproeimateriaal in de sproeitank nadat u het product hebt gebruikt. Reinig na elk gebruik.
- Giet geen hete of kokende vloeistof in de sproeitank. Deze kan de slang of sproeitank verzwakken of beschadigen.
- Overvul de tank niet.
- Controleer altijd op lekken. Als er worden aangetroffen, corrigeert u deze voor u het product gebruikt.
- Het sproeigebied moet goed zijn geventileerd.
- Controleer altijd zowel de binnen- als buitenzijde van het product voor elk gebruik.
- Te sproeien vloeistoffen moet zo dun zijn als water. Dikkere vloeistoffen sproeien niet goed.
- Sproeistoffen kunnen worden voormengd en, indien nodig, met behulp van een trechter in de sproeitank worden gegoten.

OPMERKING: Wanneer u een andere meetcontainer dan de maatbeker gebruikt of wanneer u een trechter gebruikt om de tank te vullen, dient u de voorwerpen na gebruik grondig te reinigen en spoelen. Wanneer u sproeimateriaal voormengt, spoelt u de container die voor het mengen werd gebruikt.

- Sproei niet in de aanwezigheid van een vonk, vlam of andere ontstekingsbron.
- Sproei niet in de richting van mensen of dieren. Sproei altijd in de richting van de wind.
- Roken, eten of drinken verboden tijdens het gebruik van het product.
- Sproei niet in de onmiddellijk tegen de huid.
- Laat de sproeistof niet in contact komen met de huid. Als er contact optreedt, wast u onmiddellijk met zeep en veel water.
- Richt de sproeikop rechstreeks naar de planten of voorwerpen die u wenst te besproeien.
- Zorg ervoor dat het sproeimateriaal gericht is naar een plaats die niet zal worden beschadigd door het sproeimateriaal.
- Vermijd sproeien op winderige dagen. Het sproeimateriaal kan per ongeluk terechtkomen op planten of voorwerpen die niet mogen worden besproeid.
- Houd de sproeistof weg van de ogen. Als de sproeistof in contact komt met de ogen, wast u ze onmiddellijk met schoon water uit. Als de irritatie aanhoudt, raadpleegt u onmiddellijk medische hulp.
- Het product kan worden gebruikt met het sproeierhandvat dat zich in het krat bevindt of kan uit het krat worden verwijderd en door de gebruiker worden vastgehouden.
- Gevaar voor elektrische schok. Sproei niet in de richting van elektrische contactdozen.
- Was uw handen en alle plaatsen waar huid aan de spray werd blootgesteld, grondig.
- Onderhoud het product. Controleer zowel de binnen- als buitenzijde van het product zorgvuldig en inspecteer de

onderdelen voor elk gebruik. Controleer op gebarsten en verouderde slangen, lekken, verstopte sproeikoppen en ontbrekende of beschadigde onderdelen. Indien beschadigd, laat u het product herstellen voor gebruik. Veel ongevallen zijn veroorzaakt door slecht onderhouden producten.

- Verwijder de batterij uit het product voor u draineert, reinigt of het product opslaat om ongewild starten te voorkomen.

Een indicatie dat de machines zijn onderworpen aan nationale eisen betreffende regelmatige controle door de aangewezen instanties, zoals bepaald in Richtlijn 2009/128/EG van het Europees Parlement en de Raad van 21 oktober 2009 dat een kader vaststelt voor communautaire maatregelen met als doel duurzaam gebruik van pesticiden.

HET MENGEN VAN DE SPROEIOPLOSSING

⚠ WAARSCHUWING

Meng de chemicaliën strikt volgens de instructies van de producent. Onjuist mengen kan voor giftige dampen of explosieve oplossingen zorgen.

- Gebruik vloeibare chemicaliën voor plantenbestrijding nooit onverdund.
- Bereid de oplossing en vul de container altijd buiten of in een goed geventileerde ruimte.
- Bereid niet meer oplossing dan nodig is voor de primaire taak, zodat er niets overblijft.
- Meng verschillende chemicaliën niet, tenzij dit mengsel is toegestaan door de fabrikant.

HET VULLEN VAN DE CONTAINER

- Plaats de sproeier op een vlak oppervlak en vul de container niet boven het aangegeven maximum.
- Bij het vullen vanuit een centrale watervoorziening moet het eind van de slang niet in de oplossing worden geplaatst. Een plotselinge onderdruk in het systeem zou ervoor kunnen zorgen dat de oplossing in de watervoorziening wordt gezogen.
- Voer voordat de container met de sproeioplossing wordt gevuld een test uit met gewoon water en controleer alle onderdelen van de sproeier op lekken.
- Plaats de vuldop nadat u klaar bent met vullen en draai hem stevig vast.
- Hang een label aan het product waarop staat welke chemicaliën zijn gebruikt.

TOEPASSING

- Werk alleen in open of goed geventileerde ruimtes, zoals open kassen.
- Blaas het mondstuk of andere componenten nooit met uw mond uit.
- Voorkom contact met chemicaliën voor plantenbestrijding en vervang kleding die is besmet met chemicaliën voor plantenbestrijding onmiddellijk.
- Sproei niet onder winderige omstandigheden.
- Te hoge of te lage druk of ongunstige

weersomstandigheden kunnen resulteren in een incorrecte concentratie van de oplossing. Een te hoge dosis kan planten en de omgeving aantasten. Een te lage dosis kan resulteren in onsuccesvolle plantenbestrijding.

- Om schade aan de omgeving en planten te voorkomen moet u de sproeier niet gebruiken bij:
 - te hoge of te lage druk
 - winderige omstandigheden
 - direct zonlicht
- Om ongelukken te beperken en schade aan de sproeier te voorkomen, moet u de sproeier niet gebruiken met:
 - ontvlambare vloeistoffen
 - viskeuze of kleverige vloeistoffen
 - bijtende of corrosieve chemicaliën
 - vloeistoffen die warmer zijn dan 50°C
- Vermijd het gebruik van het product als de temperatuur onder nul is, omdat de oplossing kan bevriezen.

TRANSPORT EN OPSLAG

- Accupack verwijderen.
- Zorg ervoor dat alle onderdelen schoon en droog zijn.
- Verwijder alle vreemde voorwerpen van het product.
- Verwijder voor opslag en transport al het sproeimateriaal uit het sproeiereservoir.
- Controleer na gebruik alle onderdelen van het product op lekkage. Breng het product indien nodig naar een erkend servicecenter voor reparaties.
- De sproeier kan in het krat worden bewaard.
- Voor transport beveiligd u het product tegen bewegen of vallen om lichamelijke letsels of schade aan het product te voorkomen.
- Bewaar op een koele, droge en goed geventileerde plaats die niet toegankelijk is voor kinderen. Houd corrosieve producten, zoals tuinchemicaliën en strooizout uit de buurt van het apparaat. Bewaar niet buitenshuis.

ONDERHOUD

Vermijd het gebruik van oplosmiddelen wanneer u kunststof onderdelen schoonmaakt. De meeste soorten plastic zijn gevoelig voor schade, veroorzaakt door verschillende soorten commerciële oplosmiddelen en kunnen door hun gebruik worden beschadigd. Gebruik schone doeken om vuil, stof, olie, vet, etc. te verwijderen.

⚠ LET OP

Laat op geen elk moment remvloeistoffen, benzine, producten op petroleumbasis, penetrerende oliën, etc. in contact komen met kunststof onderdelen. Chemische stoffen kunnen kunststof beschadigen, verzwakken of vernietigen, wat kan leiden tot ernstige verwondingen.

⚠ WAARSCHUWING

Gebruik uitsluitend originele vervangonderdelen, accessoires en voorzetstukken van de fabrikant. Als u dit niet doet, kan dit mogelijks letsels of slechte prestaties veroorzaken waardoor uw garantie kan vervallen.

⚠ WAARSCHUWING

Het onderhoud vereist extreme voorzichtigheid en deskundigheid en mag enkel door een gekwalificeerde onderhoudstechnicus worden uitgevoerd. Wij raden u aan het toestel voor herstellingen naar uw dichtstbijzijnde erkende onderhoudsdienst terug te brengen. Gebruik voor het onderhoud alleen identieke vervangingsonderdelen.

⚠ WAARSCHUWING

Om ernstige verwondingen te voorkomen, verwijdert u het batterijpack altijd uit het product wanneer u onderhoudswerken uitvoert of het product reinigt.

- U mag uitsluitend de afstellingen of herstellingen uitvoeren die in deze gebruiksaanwijzing worden beschreven. Voor andere herstellingen, neemt u contact op met uw geautoriseerd onderhoudsagent.
- Reinig het product na elk gebruik, zoals voorgeschreven in deze gebruiksaanwijzing.
- Dreneer en ledig de sproeitank voor het reinigen.
- Dreneer de sproeistof door het vulbereik.

OPMERKING: Dreneer alle sproeimateriaal uit de sproeitank in een container die geschikt is voor chemische producten. Bewaar geen chemische producten in de sproeitank.

- Gebruik schoon water om de sproeitank te reinigen en spoelen. Een kleine hoeveelheid milde detergent mag worden toegevoegd.
- Veeg het product met een schone, droge doek af.
- Het kan nodig zijn om de sproeitank meer dan een keer te spoelen.

AFVOER

Gooi restchemicaliën of besmette spoeloplossingen nooit in waterwegen, afvoerleidingen, riolen, straatgoten of mangaten.

Verwijder de overblijvende chemicaliën en gebruikte containers in overeenstemming met de plaatselijke voorschriften voor afvalverwerking.

RESTRISICO'S

Zelfs wanneer het product zoals voorgeschreven wordt gebruikt, is het nog steeds onmogelijk om bepaalde restrisico's volledig te elimineren. De volgende gevaren kunnen zich voordoen tijdens het gebruik en de gebruiker dient in het bijzonder aandacht te hebben om de volgende situaties te vermijden:

- Elektrische schok. Sproei de vloeistof nooit in de richting van een contactdoos, snoer of apparaat.

- Contact met gevaarlijke stoffen. Sporeistoffen kunnen schadelijk zijn indien ze worden ingeademd of in contact komen met de huid of ogen. Volg zorgvuldig de instructies en draag geschikte beschermkledij, zoals voorgeschreven in deze gebruiksaanwijzing.

⚠ WAARSCHUWING

Letsels kunnen worden veroorzaakt of ernstiger worden door verlengd gebruik van een werktuig. Als u een werktuig gedurende langere periodes gebruikt, neem dan regelmatig pauze.

KEN UW PRODUCT

Zie pagina 135.

ONDERDELEN

1. Sproeitankdeksel/maatbeker
2. Sproeierhandvat
3. Aan-/uitknop
4. Trigger met vergrendeling
5. Aansluiting voor het accupak
6. Sproeier
7. Mondstuk
8. Slang
9. Motorbehuizing
10. Tank
11. Knipsluiting (x2)
12. Accu
13. Lader

SYMBOLEN OP HET PRODUCT



Waarschuwing



Lees en begrijp alle instructies voor u het product bedient, volg alle waarschuwingen en veiligheidsinstructies.



Draag gezichtsbescherming



Draag een masker.



Draag anti-slip-, vloeistofbestendige handschoenen.



Draag anti-slip-schoeisel wanneer u het product gebruikt.



Stel niet bloot aan regen of vocht.



Dit apparaat voldoet aan alle geldende normen van Lid-Staat van de Europese Unie waar het werd gekocht.



EurAsian-symbool van overeenstemming



Oekraïens conformiteitssymbool



Elektrisch afval mag niet samen met ander huishoudafval worden weggegooid. Gelieve te recycleren indien de mogelijkheid bestaat. Neem contact op met uw lokaal bestuur of handelaar om advies te krijgen over recycling.

De volgende signaalwoorden en betekenissen zijn bedoeld om de gevaar niveaus die met het product zijn verbonden, te verklaren:



Wijst op een gevaarlijke situatie die, als ze niet wordt voorkomen, dodelijk kan zijn of ernstige verwondingen kan veroorzaken.



Wijst op een mogelijks gevaarlijke situatie die, als ze niet wordt voorkomen, dodelijk kan zijn of ernstige verwondingen kan veroorzaken.



Wijst op een mogelijks gevaarlijke situatie die, als ze niet wordt voorkomen, kleine of middelmatige verwondingen kan veroorzaken.

LET OP

(Zonder veiligheidswaarschuwingssymbool) Wijst op een situatie die kan leiden tot materiële schade.

SYMBOLEN IN DEZE GEBRUIKSAANWIJZING



Product stoppen



Vergrendeling



Ontgrendelen



Onderdelen of accessoires afzonderlijk verkocht



Opmerking



Waarschuwing



Segurança, rendimento e fiabilidade foram a máxima prioridade na hora de desenhar o pulverizador herbicida sem fios.

USO PREVISTO

O pulverizador herbicida foi pensado para uso exterior numa zona bem ventilada.

O produto foi desenhado para pulverizar produtos químicos categorizados para consumidores em casa ou no jardim, p. ex., inseticidas, fungicidas, herbicidas e fertilizantes. Também se pode utilizar para regar as plantas.

Não use o produto para qualquer finalidade que não esteja listada acima. O produto não deve ser usada por crianças ou por pessoas que não usem o equipamento de protecção pessoal e vestuário adequados.

AVISOS GERAIS DE SEGURANÇA

ADVERTÊNCIA

Leia todos os avisos de segurança e todas as instruções. O facto de não seguir os avisos e as instruções pode conduzir a choque eléctrico, fogo e/ou lesão grave.

ConsERVE estas advertências e instruções para que possa consultá-las mais tarde.

O termo "ferramenta eléctrica" nos avisos refere-se à ferramenta operada através de ligação à rede eléctrica (com fios) ou à ferramenta operada através de bateria (sem fios).

AMBIENTE DE TRABALHO

- **Mantenha a área de trabalho limpa e bem iluminada.** As áreas desordenadas ou escuras são um convite para acidentes.
- **Não opere ferramentas eléctricas em atmosferas explosivas, tais como na presença de líquidos inflamáveis, gases ou poeira.** As ferramentas eléctricas criam faíscas que podem causar a inflamação de poeiras ou vapores.
- **Ao operar esta ferramenta eléctrica, mantenha as crianças e as pessoas presentes afastadas.** Distracções podem fazer com que perca o controlo.

SEGURANÇA ELÉCTRICA

- **As fichas eléctricas da ferramenta têm de corresponder à tomada. Nunca altere a ficha seja de que maneira for. Não use quaisquer fichas adaptadoras com ferramentas de ligação com terra.** As fichas não modificadas e tomadas compatíveis reduzirão o risco de choque eléctrico.
- **Evite o contacto do corpo com superfícies com ligação terra ou enterradas, tais como tubos, radiadores, fogões e frigoríficos.** Há um aumento do risco de choque eléctrico se o seu corpo estiver ligado à terra.
- **Não exponha este produto à chuva ou humidade elevada.** A entrada de água na ferramenta eléctrica aumentará o risco de choque eléctrico.

- **Não abuse do cabo de alimentação. Nunca use o cabo para carregar, puxar ou retirar a ficha da ferramenta da tomada. Mantenha o cabo afastado do calor, óleo, pontas afiadas ou peças móveis.** Os cabos danificados ou emaranhados aumentam o risco de choque eléctrico.
- **Ao operar uma ferramenta eléctrica ao ar livre, use um cabo de extensão apropriado para o uso ao ar livre.** A utilização de um cabo apropriado para o uso ao ar livre reduz o risco de choque eléctrico.
- **Se operar uma ferramenta eléctrica num local húmido é inevitável, use uma fonte com protecção de dispositivo de corrente residual (RCD).** O uso de um RCD reduz o risco de choque eléctrico.

SEGURANÇA PESSOAL

- **Ao operar esta ferramenta eléctrica, permaneça alerta, tenha em atenção ao que está a fazer e use o bom senso. Não utilize a ferramenta eléctrica quando se sentir cansado ou se se encontrar sob a influência de drogas, álcool ou medicamentos.** Um momento de desatenção enquanto opera estas ferramentas eléctricas pode resultar em ferimentos graves.
- **Utilizar equipamento de protecção. Use sempre protecção para os olhos.** O equipamento de protecção tal como a máscara contra pó, calçado antiderrapante de segurança, capacete, ou protecção para os ouvidos, usado para condições apropriadas irá reduzir a probabilidade de ferimentos.
- **Evite o arranque involuntário. Assegure-se de que o interruptor se encontra na posição de desligado antes de o ligar à fonte de energia e/ou bateria, levantando ou transportando a ferramenta.** Transportar ferramentas eléctricas com o seu dedo no interruptor ou ligar à corrente ferramentas eléctricas que têm o interruptor ligado são um convite a acidentes.
- **Remova qualquer chave de ajuste antes de ligar a ferramenta eléctrica.** Uma chave-inglesa ou uma chave colocada numa peça móvel da ferramenta eléctrica pode causar lesões pessoais.
- **Não se aproxime em demasia. Fique sempre bem apoiado nas pernas e não estique demasiado o braço.** Isto possibilita um melhor controlo da ferramenta eléctrica em situações inesperadas.
- **Use roupas adequadas. Não use roupa larga ou acessórios de jóias. Mantenha o seu cabelo, roupa e luvas longe das peças móveis.** A roupa larga, jóias ou cabelo comprido podem ficar presos nas peças móveis.
- **Se são fornecidos os dispositivos para a ligação de espaços de extracção e recolha de pó, assegure-se de que estes se encontram conectados e usados correctamente.** A utilização de um colector de pó pode reduzir os perigos relacionados com o pó.

UTILIZAÇÃO E MANUTENÇÃO DA FERRAMENTA ELÉCTRICA

- **Não force o produto. Use a ferramenta eléctrica correcta para a sua aplicação.** A ferramenta fará o seu trabalho melhor e de forma mais segura trabalhando ao



ritmo para que foi concebida.

- **Não use uma ferramenta caso o interruptor não ligue e desligue a ferramenta eléctrica correctamente.** Qualquer ferramenta eléctrica que não possa ser controlada com o interruptor é perigosa e deve ser reparada.
- **Desligue a ficha da alimentação eléctrica e/ou a bateria da ferramenta antes de proceder a quaisquer ajustes, substituição de acessórios ou de armazenar a ferramenta.** Estas medidas de segurança preventivas reduzem o risco de arranque accidental da ferramenta eléctrica.
- **Armazene as ferramentas eléctricas fora do alcance das crianças e não permita que pessoas não familiarizadas com a ferramenta eléctrica ou com estas instruções utilizem a ferramenta eléctrica.** As ferramentas eléctricas são perigosas nas mãos de utilizadores inexperientes.
- **Realize a manutenção das ferramentas eléctricas. Verifique se existe desalinhamento ou emperramento das peças móveis, ruptura das peças e qualquer outra condição que possa ter afectado o funcionamento da ferramenta eléctrica. Se danificado, mande a ferramenta eléctrica ser reparada antes de a utilizar.** Muitos acidentes são causados por ferramentas eléctricas com fracas manutenções.
- **Mantenha as ferramentas de corte afiadas e limpas.** É menos provável que as ferramentas de corte com uma correcta manutenção e com pontas de corte afiadas fiquem presas e são mais fáceis de controlar.
- **Utilize a ferramenta, acessórios, peças eléctricas, etc., de acordo com estas instruções, tendo em conta as condições de trabalho e o trabalho que se vai realizar.** O uso da ferramenta eléctrica para as operações diferentes daquelas a que se destina podem causar uma situação perigosa.

UTILIZAÇÃO E MANUTENÇÃO DA BATERIA

- **Recarregue apenas com o carregador especificado pelo fabricante.** Um carregador que seja adequado para um tipo de bateria pode causar risco de incêndio, quando utilizado com outra bateria.
- **Use ferramentas eléctricas somente com baterias especificamente concebidas.** O uso de qualquer outro tipo de bateria pode causar risco de lesões e incêndio.
- **Quando a bateria não estiver a ser utilizada, mantenha-a afastada de outros objectos metálicos como cliques de papel, moedas, chaves, pregos, parafusos, ou outros pequenos objectos metálicos que podem fazer a ligação de um terminal para outro.** Ligar os terminais da bateria em conjunto pode causar queimaduras ou um incêndio.
- **Sob circunstâncias abusivas, o líquido pode ser ejectado da bateria, evite o contacto. Se o contacto ocorrer acidentalmente, limpe com água abundante. Se o líquido entrar em contacto com os olhos, procure adicionalmente assistência médica.** O líquido ejectado da bateria pode causar irritação ou queimaduras.

MANUTENÇÃO

- **A manutenção da sua ferramenta eléctrica deve ser efectuada por uma pessoa qualificada para reparações, utilizando apenas peças de substituição idênticas.** Isto assegurará que a segurança da ferramenta eléctrica é mantida.

AVISOS DE SEGURANÇA RELACIONADOS COM OS PULVERIZADORES HERBICIDAS

- Não pulverize líquidos inflamáveis como gasolina para reduzir o risco de incêndio ou explosão.
- Siga sempre as instruções de uso, limpeza e armazenamento do fabricante do produto químico que aparecem impressas na etiqueta do produto. Os produtos químicos devem ser guardados fora do alcance das crianças.
- Não pulverize nenhum material onde o perigo não é conhecido.
- Para reduzir a exposição aos materiais do spray use o equipamento de segurança aprovado, como a máscara desenhada para pulverizar, as luvas e outro equipamento de proteção adequado.
- Não utilize agentes de limpeza abrasivos ou solventes inflamáveis para limpar o produto.

⚠ ADVERTÊNCIA

Mantenha os materiais do spray afastado dos olhos. Se os materiais de spray entrarem em contacto com os olhos, lave-os de imediato com água limpa. Se a irritação persistir, dirija-se imediatamente a um médico.

AVISOS DE SEGURANÇA ADICIONAIS

- Nunca deixe que o aparelho seja utilizado por crianças, pessoas com capacidade física, sensorial ou mental reduzida, pessoas sem experiência nem conhecimentos nem pessoas que não estejam familiarizadas com estas instruções.
- Preste atenção aos riscos que apresentados nos materiais do spray. Antes de usar qualquer pesticida ou outros materiais em spray com o produto, leia atentamente a etiqueta do contentor original e siga as instruções.
- Mantenha a área livre de espectadores, crianças e animais enquanto estiver a pulverizar.
- Assegure-se de que a lança de pulverização está bem conectada à pega da mesma antes de usar o produto. Se for necessário, use umas pinças para montar a lança do spray na pega da lança do spray.
- Recorde substituir adequadamente e apertar a tampa do depósito do spray após verter o líquido no depósito do spray.
- Utilize apenas produtos químicos para jardim e relva à base de água categorizados para consumidores.
- Não utilize produtos químicos de qualidade comercial nem para fins comerciais ou industriais.
- Não utilize líquidos cáusticos (alcali), que auto aqueçam ou que sejam corrosivos (ácido) com o

produto. Podem corroer as peças de metal ou debilitar o tanque e o tubo.

- Não deixe resíduos ou material de spray no depósito do spray após ter utilizado o produto. Limpe depois de cada uso.
- Não verta líquidos quentes ou a ferver no depósito do spray. Podem danificar ou debilitar o tubo ou o depósito do spray.
- Não encha o depósito.
- Verifique sempre se há alguma filtração. Se encontrar algum, corrija-o antes de utilizar este produto.
- A zona de pulverização deve estar bem ventilada.
- Verifique sempre o interior e o exterior do produto antes de cada uso.
- Os líquidos que se vão pulverizar devem ser tão líquidos como a água. Os líquidos mais espessos não se pulverizam bem.
- Os materiais do spray podem misturar-se previamente e verter-se no depósito utilizando um funil, se for necessário.

NOTA: Ao utilizar um contentor medidor que não seja o copo medidor, ou ao utilizar um funil para encher o depósito, limpe e enxague bem estes elementos depois de usá-los. Ao misturar previamente os materiais do spray, enxague o depósito utilizado para misturar.

- Não pulverize quando tiver por perto faíscas, chamas ou fontes de ignição.
- Não pulverize em direção de pessoas ou animais. Pulverize sempre na direção do vento.
- Não fume, coma nem beba enquanto utiliza o produto.
- Não descarregue diretamente sobre a pele.
- Não deixe os materiais de spray entrarem em contacto com a pele. Em caso de contacto, lave imediatamente com sabão e muita água.
- Dirija a boquilha diretamente para as plantas ou objetos que pretende pulverizar.
- Assegure-se de que os materiais do spray dirigem-se para uma zona a que ditos materiais não possam danificar.
- Evite pulverizar nos dias de vento. Os materiais do spray podem voar acidentalmente para plantas ou objetos que não se deveriam pulverizar.
- Mantenha os materiais do spray afastado dos olhos. Se os materiais de spray entrarem em contacto com os olhos, lave-os de imediato com água limpa. Se a irritação persistir, dirija-se imediatamente a um médico.
- O produto pode ser operado com a pega da lança do spray apoiado sobre o suporte ou pode ser tirado do suporte e segurado pelo operador.
- Perigo de choque elétrico. Não pulverize em direção de tomadas elétricas.
- Depois de cada uso, lave bem as mãos e qualquer área da pele que tenha estado exposta ao spray.
- Faça a manutenção do produto. Inspeccione bem o interior e o exterior do produto e examine os componentes antes de cada uso. Verifique se há gretas ou tubos deteriorados, fugas, boquilhas entupidas ou se falta ou está danificada alguma peça. Caso

danificado, leve o aparelho para ser reparado antes de usar. Muitos acidentes são causados por produtos com fraca manutenção.

- Tire a bateria do produto antes de drenar, limpar ou guardar para evitar um funcionamento accidental.

Uma indicação de que a maquinaria pode estar sujeita a requisitos nacionais para inspeções regulares por entidade designada, conforme disposto na Directiva 2009/128/EC do Parlamento Europeu e do Conselho de 21 de Outubro de 2009 estabelecendo um enquadramento para acção pela Comunidade para alcançar a utilização sustentável de pesticidas.

MISTURAR A SOLUÇÃO PARA PULVERIZAÇÃO

⚠ ADVERTÊNCIA

Misture os produtos químicos rigorosamente conforme as instruções do fabricante. Misturas incorrectas podem gerar vapores tóxicos ou soluções explosivas.

- Nunca pulverize produtos químicos líquidos para controlo de plantas não diluídos.
- Prepare a solução e encha o recipiente apenas no exterior ou em locais bem ventilados.
- Prepare apenas a quantidade de solução suficiente para a tarefa a ser executada, por forma a que não haja sobras.
- Não misture produtos químicos diferentes, excepto se essa mistura for aprovada pelo fabricante.

ENCHER O CONTENTOR

- Assente o pulverizador em cima de uma superfície plana, tendo cuidado para não encher o contentor acima da marca de máximo.
- Quando encher o recipiente a partir de uma fonte de abastecimento de água central, não mergulhe a ponta da mangueira na solução. Se a pressão da água no sistema baixar subitamente, a solução poderá ser sugada pela mangueira, retomando para o abastecimento de água e contaminando-o.
- Antes de encher o recipiente com solução para pulverização, teste a utilização com água potável e inspeccione todas as peças do pulverizador, procurando fugas.
- Depois de encher o recipiente, aplique o tampão de enchimento e feche-o com firmeza, empurrando-o para baixo.
- Pendure uma etiqueta no produto, anotando qual o produto químico que está a ser utilizado.

APLICAÇÃO

- Trabalhe só ao ar livre ou em áreas bem ventiladas, por exemplo estufas abertas.
- Nunca sopre com a boca directamente nos bocais ou noutros componentes para os desentupir.
- Evite o contacto com os produtos químicos para controlo de plantas, e mude imediatamente de roupa se ficar contaminada com produtos químicos para controlo de plantas.
- Não pulverize se houver vento.

- Se a pressão demasiado alta ou demasiado baixa, ou se as condições atmosféricas forem desfavoráveis, isso poderá fazer com que a concentração da solução seja errada. Se a dosagem for excessiva, isso poderá causar danos às plantas e ao meio-ambiente. Se a dosagem for insuficiente, isso poderá fazer com que o tratamento às plantas não seja eficaz.
- Para reduzir o risco de danos ao meio-ambiente e às plantas, não utilize o pulverizador nas seguintes circunstâncias:
 - se a pressão for demasiado alta ou demasiado baixa
 - se houver vento
 - sob luz solar directa
- Para reduzir o risco de acidentes e de danos ao vaporizador, nunca utilize o vaporizador com:
 - Líquidos inflamáveis
 - Líquidos viscosos ou pegajentos
 - produtos químicos cáusticos ou corrosivos
 - Líquidos quentes (acima dos 50 °C)
- Evite utilizar o produto em tempo frio com formação de gelo, porque a solução pode congelar.

TRANSPORTE E ARMAZENAMENTO

- Retire a bateria.
- Assegure-se de que todas as peças estão limpas e secas.
- Limpe todos os materiais estranhos do produto.
- Antes de armazenar ou transportar o produto, esvazie o recipiente do vaporizador de todos os materiais de vaporização.
- A seguir a cada utilização, inspecione todas as peças, procurando fugas. Se houver algumas fugas, devolva o produto a um centro de assistência técnica autorizado, para ser reparado.
- A lança do spray pode ser guardada no suporte.
- Para transportar, prenda o aparelho de modo a evitar que este se mova ou caia, para evitar lesões ou danos no produto.
- Guarde-o num local fresco e seco e bem ventilado a que as crianças não consigam aceder. Mantenha-o afastado de substâncias corrosivas, tais como produtos químicos utilizados em jardinagem e sais de descongelação. Não armazenar ao ar livre.

MANUTENÇÃO

Evite usar solventes ao limpar as peças de plástico. A maioria dos plásticos é susceptível de sofrer danos de vários tipos de solventes comerciais e podem ser danificados pelo seu uso. Use panos limpos para remover a sujidade, a poeira, o óleo, a gordura, etc.

⚠ ADVERTÊNCIA

Nunca, em qualquer momento, deixe que fluidos de travagem, gasolina, produtos petrolíferos, óleos de perfuração, etc., entrem em contacto com as peças de plástico. Os químicos podem danificar, enfraquecer ou destruir o plástico, o que pode resultar em lesões graves.

⚠ ADVERTÊNCIA

Utilize apenas peças de substituição, acessórios e encaixes do fabricante original. A inobservância desta indicação pode causar um fraco desempenho, possíveis lesões e poderá anular a sua garantia.

⚠ ADVERTÊNCIA

Os serviços de manutenção requerem extremo cuidado e conhecimentos e devem apenas ser realizado por um técnico de assistência qualificado. Para assistência, sugerimos que devolva o produto ao seu centro de assistência autorizado mais próximo para reparação. Ao realizar serviços de manutenção, use apenas peças de substituição idênticas.

⚠ ADVERTÊNCIA

Para evitar graves lesões pessoais, remova sempre a bateria do produto ao limpar ou ao realizar qualquer manutenção.

- Só pode proceder aos ajustes ou reparações descritas neste manual. Para outro tipo de reparações entre em contacto com um agente de serviço autorizado.
 - Após de cada uso, limpe o produto como se indica neste manual.
 - Drene e esvazie o depósito do spray antes de limpá-lo.
 - Drene os materiais do spray através da área por onde se encha.
- NOTA:** Drene todos os materiais de pulverizador para um recipiente aprovado para gasolina. Não armazenar químicos no tanque do pulverizador.
- Utilize água limpa para limpar e enxaguar o depósito do spray. Pode adicionar-se uma pequena quantidade de detergente doméstico suave.
 - Limpe o produto com um pano seco.
 - Se for necessário, enxague o depósito do spray mais de uma vez.

ELIMINAÇÃO

Quando eliminar resíduos de produtos químicos ou soluções de enxaguamento contaminadas, nunca as despeje em cursos de água, condutas de drenagem, esgotos, sarjetas, nem vigias de esgoto!

Faça a eliminação de resíduos de produtos químicos e de recipientes usados em conformidade com os regulamentos locais para a eliminação de resíduos.

RISCOS RESIDUAIS:

Mesmo quando se utiliza o produto segundo as instruções, continua a ser impossível eliminar por completo certos fatores de risco residuais. Os seguintes perigos podem surgir na utilização e o operador deve prestar especial atenção para evitar o seguinte:

- Choque elétrico. Nunca pulverize líquido em direção a tomadas, cabos ou eletrodomésticos.
- Contacto com substâncias perigosas. Os materiais

do spray podem ser daninhos se se inalam, ingerem ou entram em contacto com a pele ou os olhos. Siga as instruções atentamente e use o equipamento de proteção adequado prescrito neste manual.

⚠️ ADVERTÊNCIA

O uso prolongado de uma ferramenta pode causar o agravar lesões. Ao usar qualquer ferramenta durante períodos prolongados, assegure-se que faz intervalos regulares.

CONHEÇA O SEU APARELHO

Ver a página 135.

PEÇAS

1. Tampa do depósito do spray/copo medidor
2. Pega da lança do spray
3. Botão de ligar/desligar
4. Ativador com bloqueio
5. Ligação à bateria
6. Barra pulverizadora
7. Bocal
8. Mangueira
9. Estrutura do motor
10. Depósito
11. Lingueta (x2)
12. Bateria
13. Carregador

SÍMBOLOS NO PRODUTO



Aviso



Leia e compreenda todas as instruções antes de manipular o produto, respeite os alertas e as instruções de segurança.



Usar protecção para os olhos



Coloque uma máscara.



Utilize luvas antideslizantes resistentes aos líquidos.



Utilize calçado de segurança antideslizante quando utilizar este produto.



Não o exponha à chuva ou a condições de humidade.



Esta ferramenta obedece a todas as normas regulamentares do país da UE onde foi comprada.



Marca de conformidade EurAsian



Marca de conformidade ucraniana



Os aparelhos eléctricos antigos não devem ser eliminados juntamente com o lixo doméstico. Recicle onde existem instalações para o efeito. Verifique com as suas Autoridades Locais ou revendedor para obter informações sobre reciclagem.

As seguintes palavras de sinal e significados destinam-se a explicar os níveis de risco associados a este produto:



PERIGO

Indica uma situação perigosa iminente, que, se não evitada, poderá resultar em morte ou ferimentos graves.



ADVERTÊNCIA

Indica uma situação potencialmente perigosa, que, se não evitada, poderá conduzir à morte ou graves lesões.



ADVERTÊNCIA

Indica uma situação potencialmente perigosa, que, se não evitada, poderá resultar em pequenas ou moderadas lesões.

ADVERTÊNCIA

(Sem símbolo de alerta de segurança) Indica uma situação que pode resultar em danos de propriedade.

SÍMBOLOS NESTE MANUAL



Pare o produto.



Bloqueio



Abrir



As peças ou acessórios vendem-se separadamente



Nota



Aviso

EN
FR
DE
ES
IT
NL
PT
DA
SV
FI
NO
RU
PL
CS
HU
RO
LV
LT
ET
HR
SL
SK
BG
UK
TR



Sikkerhed, ydelse og driftssikkerhed har fået topprioritet i designet af den ledningsfri ukrudtssprøjte.

TILTÆNKET ANVENDELSESFORMÅL

Ukrudtssprøjten er beregnet til brug i det fri i et godt ventileret område.

Produktet er designet til sprøjtning af husholdnings- og havekemikalier såsom insekticider, fungicider, ukrudtsmidler og kunstgødning. Produktet kan også bruges til at vande planter.

Produktet må kun bruges til de ovennævnte formål. Produktet må ikke bruges af børn eller personer, som ikke bærer tilstrækkeligt med personlige værnemidler og -beklædning.

GENERELLE SIKKERHEDSADVARSLER

⚠ ADVARSEL

Alle sikkerhedsadvarsler og alle anvisninger skal læses. Manglende overholdelse af advarselne og anvisningerne kan medføre elektrisk stød, brand og/eller alvorlige personskader.

Gem vejledningen med advarsler og anvisninger til senere opslag.

Med udtrykket "elværktøj" i advarselne henvises til dit lysnet-drevne (via ledning) elværktøj eller batteridrevne (ledningsfri) elværktøj.

ARBEJDSOMGIVELSER

- **Hold arbejdsområdet rent og godt oplyst.** Rodede eller mørke områder inviterer til ulykker.
- **Brug ikke elværktøjer i eksplosive omgivelser som fx i nærheden af brandbar væske, gas eller støv.** Elværktøjer udløser gnister, som kan antænde støvet eller dampene.
- **Der må ikke være børn og tilskuere i nærheden, når et elværktøj anvendes.** Distractioner kan medføre, at du mister kontrollen.

ELEKTRISK SIKKERHED

- **Elværktøjets elstik skal passe til elnetkontakten.** Elstikket må aldrig modificeres på nogen som helst måde. Undlad brug af adapterstik til jordede (stelforbundne) elværktøjer. Umodificerede elstik og passende elnetkontakter reducerer faren for elektrisk stød.
- **Undgå kropskontakt med jordede eller stelforbundne overflader som fx rør, radiators, komfurer og køleskabe.** Der er forøget risiko for elektrisk stød, hvis din krop er forbundet med jord eller stel.
- **Dette produkt må ikke udsættes for regn eller fugt.** Hvis der trænger vand ind i et elværktøj, øges faren for elektrisk stød.
- **Undlad at misbruge ledningen.** Ledningen må aldrig bruges til at bære eller trække i elværktøjet eller til at trække stikket ud. Ledningen må ikke komme i nærheden af varme, olie, skarpe kanter eller

bevægelige dele. Beskadigede eller sammenfiltrede ledninger øger faren for elektrisk stød.

- **Når et elværktøj anvendes i det fri, skal der bruges en forlængerledning, der er egnet til udendørs brug.** Brug af ledninger beregnet til udendørs brug reducerer faren for elektrisk stød.
- **Hvis man er nødt til at bruge et elværktøj i fugtige omgivelser, skal strømforsyningen have en fejlstrømsafbryder (RCD-afbryder).** Brug af fejlstrømssikring reducerer faren for elektrisk stød.

PERSONLIG SIKKERHED

- **Når man bruger et elværktøj, skal man være agtpågivende, iagttage hvad man gør og bruge sund fornuft. Undlad at bruge et elværktøj, hvis du er træt eller påvirket af narkotika, alkohol eller medikamenter.** Et øjeblik uopmærksomhed under brug af motoriserede værktøjer kan medføre alvorlige personskader.
- **Brug personlige værnemidler. Brug altid øjenværn.** Værnemidler som fx støvmaske, skridfast sikkerhedsfodtøj, hjelm eller høreværn anvendt korrekt i forhold til de givne forhold reducerer faren for personskader.
- **Forebyg utilsigtet start. Kontrollér, at kontakten er i pos. OFF (=slukket), inden værktøjet sluttes til strømkilde og/eller batteri, samles op eller bæres.** At bære elværktøjer med fingeren på kontakten eller at slutte strøm til elværktøjer med tændt kontakt er at invitere til ulykker.
- **Fjern evt. skruenøgler, inden der tændes for elværktøjet.** En efterladt skruenøgle fastgjort til en roterende del af elværktøjet kan medføre personskader.
- **Overstræk ikke. Sørg for altid at have godt fodfæste og god balance.** Dette giver bedre kontrol over elværktøjet i uventede situationer.
- **Vær ordentligt klædt på. Bær ikke løftsiddende tøj eller smykker. Sørg for, at hår, tøj og handsker ikke kommer i nærheden af bevægelige dele.** Løstsiddende tøj, smykker eller langt hår kan hænge fast i bevægelige dele.
- **Hvis der findes anordninger for tilslutning af støvudsugnings- og -opsamlingsudstyr, skal disse tilsluttes og anvendes korrekt.** Brug af støvopsamling kan reducere støvrelaterede faremomenter.

BRUG OG PLEJE AF ELVÆRKTØJ

- **Undlad at tvinge produktet. Brug elværktøjet til det tiltænkte anvendelsesformål.** Det korrekte elværktøj klarer opgaven bedre og sikrere med den hastighed, det er designet til.
- **Elværktøjet må ikke tages i brug, hvis TÆND/SLUK-kontakten ikke virker.** Et elværktøj, der ikke kan kontrolleres med TÆND/SLUK-kontakten, er farligt og skal repareres.
- **Inden udførelse af justeringer, udskiftning af tilbehør eller opbevaring af elværktøjer skal elstikket trækkes ud af elnetkontakten, og/eller batteriet skal tages ud af elværktøjet.** Disse forebyggende sikkerhedsforanstaltninger reducerer faren for utilsigtet start af elværktøjet.





- Når elværktøjer ikke bruges, skal de opbevares utilgængeligt for børn; personer, som ikke er fortrolige med elværktøjet eller denne brugsanvisning, må ikke anvende elværktøjet. Elværktøjer er farlige i hænderne på ukyndige brugere.
- Elværktøjer skal vedligeholdes. Kontrollér, om der er forkeret indjusterede eller forbundne bevægelige dele, afbrækkede dele samt andre tilstande, som kan påvirke elværktøjets funktionsmåde. Hvis der konstateres skader, skal elværktøjet repareres inden brug. Mange ulykker skyldes dårligt vedligeholdte elværktøjer.
- Skærende værktøjer skal holdes skarpe og rene. Korrekt vedligeholdte skærende værktøjer med skarpe skær er mindre tilbøjelige til at binde/blokere og er lettere at kontrollere.
- Brug elværktøjet, tilbehøret og værktøjs-bits osv. som foreskrevet i denne brugsanvisning, og tag højde for arbejdsforholdene og den aktuelle arbejdsopgave. Brug af elværktøjet i strid med de tiltænkte anvendelsesformål kan medføre farlige situationer.

BRUG OG PLEJE AF BATTERIVÆRKTØJ

- Opladning må kun finde sted med den af producenten foreskrevne oplader. En oplader, der er beregnet til én type batteri, kan udgøre en brandrisiko, hvis den bruges til en anden batteritype.
- Brug kun elværktøjer sammen med specifik godkendte batterier. Brug af andre batterityper kan medføre fare for personskaade og brand.
- Når batteriet ikke bruges, må det ikke opbevares sammen med metalgenstande som fx papirclips, mønter, nøgler, søm, skruer eller andre metalgenstande, som kan skabe forbindelse mellem batteriets poler. Hvis batteriets poler kortsluttes, kan det forårsage forbrændinger eller ildebrand.
- Hvis batteriet misbruges, kan der sprøjte væske ud af det; undgå kontakt med batterivæsken. Ved kontakt med batterivæsken skylles med vand. Hvis der kommer væske i øjnene, søges desuden læge. Udsprøjtet batterivæske kan forårsage irritation eller forbrændinger.

VEDLIGEHOLDELSE

- Sørg for, at elværktøjet serviceres af en kvalificeret reparatør, som kun benytter sig af originale reservedele. Herved garanteres sikkerheden for elproduktet.

SIKKERHEDSADVARSLER VEDR. UKRUDTSSPRØJTER

- Der må ikke sprøjtes brændbare væsker som fx benzin, da dette medfører fare for brand eller eksplosion.
- Følg altid kemiproducentens anvisninger, som er trykt på produktetiketten, vedr. brug, rengøring og opbevaring. Opbevar kemikalier utilgængeligt for børn.
- Udsprøjt ikke materiale med ukendte faremomenter.
- For at reducere eksponeringen for sprøjtemidler, skal man bære godkendte værnemidler såsom

ansigtsmaske designet til sprøjtning, handsker og andre passende værnemidler.

- Undlad at bruge brændbare opløsningsmidler eller skurende rengøringsmidler til rengøring af produktet.

⚠ ADVARSEL

Hold sprøjtemiddel bort fra øjnene. Hvis sprøjtemiddel kommer i kontakt med øjnene, skal man omgående skylle med rent vand. Hvis irritationen ikke forsvinder, kontaktes læge omgående.

EKSTRA SIKKERHEDSADVARSLER

- Produktet må aldrig benyttes af børn, personer med begrænsede fysiske, sensoriske eller mentale evner eller manglende erfaring og viden, eller af folk, der ikke er fortrolige med denne brugsanvisning.
 - Vær opmærksom på evt. faremomenter i forbindelse med sprøjtemidler. Før man bruger pesticider eller andre sprøjtemidler med produktet, skal man omhyggeligt læse etiketten på den originale beholder og følge vejledningen.
 - Hold området fri for tilskuere, børn og dyr, så længe sprøjtningen pågår.
 - Sørg for, at sprøjtelansen er sluttet korrekt til sprøjtelanse-håndtaget, før du bruger produktet. Om nødvendigt kan man benytte en tang til at fastgøre sprøjtelansen til sprøjtelanse-håndtaget.
 - Husk at montere og fastspænde sprøjtemiddeltankens låg, når der er hældt væske i sprøjtemiddeltanken.
 - Brug kun vandbaserede husholdnings- og havekemikalier.
 - Undlad at bruge kommercielle kemikalier eller kemikalier til kommercielle eller industrielle formål.
 - Undlad at bruge ikke kaustiske (alkaliske) selvopvarmende eller ætsende (syre) væsker med produktet. Disse kan korrodere metaldele eller svække tank og slange.
 - Undgå at efterlade rester eller sprøjtemiddel i sprøjtemiddeltanken efter brug af produktet. Rengør efter brug.
 - Undlad at hælde varme eller kogende væsker i sprøjtetanken. Disse kan svække eller beskadige slangen eller sprøjtemiddeltanken.
 - Undgå at overfylde tanken.
 - Kontrollér altid for utætheder. Hvis der findes nogen, skal de forbindes, inden produktet benyttes.
 - Sprøjteområdet skal være godt ventileret.
 - Efterse altid produktet både indvendigt og udvendigt inden brug.
 - Væsker, der skal sprøjtes, skal være tynde som vand. Tykkere væsker kan ikke sprøjtes ordentligt.
 - Sprøjtemidler kan forblendes og hældes i sprøjtemiddeltanken ved hjælp af en tragt, hvis dette er nødvendigt.
- BEMÆRK:** Hvis man bruger en målebeholder forskellig fra målebægeret, eller hvis man bruger en tragt til fyldning af tanken, skal disse dele rengøres grundigt efter brug.

EN
FR
DE
ES
IT
NL
PT
DA
SV
FI
NO
RU
PL
CS
HU
RO
LV
LT
ET
HR
SL
SK
BG
UK
TR





Når man forblander sprøjtemidler, skal man skylle den beholder, der bruges til blandingen.

- Undladt at sprøjte i nærheden af gløder, ild eller andre antændelseskilder.
- Undladt at sprøjte i retning af personer eller dyr. Der skal altid sprøjtes med vindretningen.
- Undladt at ryge, spise eller drikke, mens du bruger produktet.
- Undlad udladning direkte mod huden.
- Undgå hudkontakt med sprøjtemidlerne. I tilfælde af kontakt vaskes straks med sæbe og rigeligt vand.
- Ret dysen direkte mod de planter eller genstande, der skal sprøjtes.
- Kontrollér, at sprøjtemidlet rettes mod et område, som tåler sprøjtemidlet.
- Undgå at sprøjte, når det blæser. Sprøjtemidlet kan ved et uheld blive blæst over på planter eller genstande, der ikke skal sprøjtes.
- Hold sprøjtemiddel bort fra øjnene. Hvis sprøjtemiddel kommer i kontakt med øjnene, skal man omgående skylle med rent vand. Hvis irritationen ikke forsvinder, kontaktes læge omgående.
- Produktet kan betjenes med sprøjtelanse-håndtaget siddende i holderen, eller sprøjtelansen kan tages ud af holderen og holdes af operatøren.
- Fare for elektrisk stød. Undladt at sprøjte mod elkontakter.
- Efter hver brug skal man omhyggeligt vaske hænderne samt ethvert hudområde, der har været udsat for sprøjtemidlet.
- Dette produkt kræver vedligeholdelse. Efterse altid produktet grundigt både indvendigt og udvendigt, og undersøg komponenterne inden brug. Vær opmærksom på revnede eller tærede slanger, utætheder, tilstoppede dyser eller manglende eller beskadigede dele. Hvis der konstateres skader, skal produktet repareres inden brug. Mange ulykker skyldes dårligt vedligeholdte produkter.
- Fjern batteriet fra produktet, før udtømning, rengøring og opbevaring for at undgå utilsigtet start af produktet.

En indikation af, at maskinen kan være underlagt nationale krav om regelmæssige inspektioner udført af udpegede myndigheder, som bestemt i Europa-Parlamentets og Rådets direktiv 2009/128/EF fra 21. oktober 2009, der etablerer en struktur for EU's handlinger i forhold at skabe en bæredygtig anvendelse af pesticider.

BLANDING AF SPRØJTEOPLØSNINGEN

ADVARSEL

Bland kemikalierne i nøje overensstemmelse med producentens instruktioner. Forkerte blandinger kan skabe giftige dampe eller eksplosive opløsninger.

- Sprøjt aldrig flydende plantekontrollskemikalier på i ufortyndet form.
- Når du forbereder opløsningen og fylder beholderen, må dette kun gøres udendørs eller et godt ventileret sted.

- Du må kun forbedre opløsning, der lige er tilstrækkelig til det foreliggende arbejde, så der ikke er resterende opløsning.
- Bland ikke forskellige kemikalier sammen, med mindre en sådan blanding er godkendt af producenten.

PÅFYLDNING AF BEHOLDEREN

- Stil sprøjtebeholderen på en plan overflade, og fyld ikke beholderen over maksimummærket.
- Hvis du bruger vand fra den centrale vandforsyning, må du ikke stikke enden af slangen ned i opløsningen. Et pludseligt undertryk i systemet kan få opløsningen til at blive suget tilbage til vandforsyningen.
- Før beholderen fyldes med sprøjteopløsning, skal du udføre en testkørsel med rent vand og kontrollere alle sprøjtes dele for lækager.
- Efter påfyldning skal du sætte hættten på og stramme den godt fast.
- Hæng et mærke på produktet for at angive, hvilket kemikalie der er blevet anvendt.

ANVENDELSE

- Arbejd kun i åbne eller godt ventilerede steder, som f.eks. åbne drivhuse.
- Blæs aldrig med munden gennem dyserne eller andre komponenter.
- Undgå kontakt med plantekontrollskemikalier, og skift omgående tøj, hvis det er blevet kontamineret med plantekontrollskemikalier.
- Sprøjt ikke, hvis vinden blæser.
- For højt eller for lavt tryk eller ugunstige vejrforhold kan føre til en forkert koncentration af opløsningen. Overdosering kan beskadige planter og miljø. Underdosering kan føre til fejlslagen behandling af planterne.
- For at reducere risikoen for skader på miljø og planter må du ikke anvende sprøjten under følgende forhold:
 - Hvis trykket er for højt eller for lavt
 - Hvis det blæser
 - I direkte sollys
- For at reducere risikoen for ulykker og skader på sprøjten, skal du aldrig betjene sprøjten, hvis den er fyldt med følgende:
 - Brandfarlige væsker
 - Viskose eller klæbende væsker
 - Kaustiske eller ætsende kemikalier
 - Væsker, der er varmere end 50° C
- Undgå at bruge produktet i frostvejr, da opløsningen kan fryse til.

TRANSPORT OG OPBEVARING

- Fjern batteriet.
- Kontrollér, at alle dele er rene og tørre.
- Afrens alle fremmedlegemer fra produktet.
- Dræn alle sprøjtematerialer fra sprøjtebeholderen, før denne sættes til opbevaring eller transporteres.
- Efter hver anvendelse skal alle produktets dele kontrolleres for lækager. I tilfælde af lækager skal



produktet sendes til et autoriseret servicecenter for reparation.

- Sprøjtelansen kan opbevares i holderen.
- Til transport skal man sikre produktet, så den ikke kan bevæge sig eller vælte; dette for at forebygge personskader eller skader på produktet.
- Opbevar den på et køligt, tørt og godt ventileret sted utilgængeligt for børn. Opbevar motorsaven på afstand af ætsende midler som f.eks. havekemikalier og optøningsalt. Må ikke opbevares udendørs.

VEDLIGEHOLDELSE

Undgå brug af opløsningsmidler til rengøring af plastdele. De fleste typer plastic kan tage skade ved brug af forskellige opløsemidler. Snavs, støv, olie, fedt, mv., fjernes med rene klude.

PAS PÅ

Sørg for, at bremsevæske, benzin, petroleumsbaserede produkter, penetreringsolie, mv., aldrig kommer i kontakt med plastdele. Kemikalier kan beskadige, blødgøre eller ødelægge plast, hvilket kan medføre alvorlige personskader.

ADVARSEL

Brug kun originale reservedele, ekstraudstyr og tilbehør fra producenten. I modsat fald er der fare for personskader, dårlig maskinydelse og annullering af garantien.

ADVARSEL

Vedligeholdelse kræver stor omhyggelighed og viden og kun bør udføres af en kvalificeret tekniker. Vi anbefaler du leverer enheden tilbage til dit nærmeste autoriserede service center til reparation. Skal dele udskiftes må kun identiske reservedele anvendes.

ADVARSEL

For at undgå alvorlige personskader skal man altid tage batteriet ud af produktet i forbindelse med rengøring eller vedligeholdelse.

- Man kan selv foretage de justeringer eller reparationer, der er beskrevet i denne brugsanvisning. Til andre reparationsopgaver skal man kontakte den autoriserede servicemontør.
- Efter brug skal produktet rengøres som beskrevet i denne brugsanvisning.
- Aftap og tøm sprøjtemiddeltanken inden rengøring.
- Aftap sprøjtemidlet via påfyldningsområdet.

BEMÆRK: Aftap alt sprøjtemateriale fra sprøjtemiddeltanken i en beholder der er godkendt til kemikalier. Undlad at opbevare kemikalier i sprøjtetanken.

- Brug rent vand til at rengøre og skylle sprøjtemiddeltanken. Man kan tilsætte en smule mild husholdningsrengøringsmiddel.

- Tør produktet af med en ren, tør klud.
- Det kan være nødvendigt at skylle sprøjtemiddeltanken mere end én gang.

BORTSKAFFELSE

Bortskaf aldrig restkemikalier eller kontaminerede renseopløsninger i vandveje, dræn, kloaker, vejafløb eller mandehuller.

Restkemikalier og anvendte beholdere skal bortskaffes i henhold til de lokale bestemmelser om bortskaffelse af affald.

UUNDGÅELIGE RISICI

Selv om produktet anvendes som foreskrevet, er det stadig umuligt at eliminere visse uundgåelige risikofaktorer fuldstændigt. Følgende risici kan opstå under brug, og operatøren bør være særligt opmærksom for at undgå følgende:

- Elektrisk stød. Der må aldrig sprøjtes mod elektriske kontakter, kabler eller udstyr.
- Kontakt med farlige stoffer. Spraymidler kan være skadelige ved indånding, indtagelse eller ved kontakt med hud eller øjne. Følg anvisningerne nøje, og benyt passende værnemidler som foreskrevet i denne brugsanvisning.

ADVARSEL

Længere tids brug af et værktøj kan forårsage - eller forværre - personskader. Når man bruger et værktøj i længere perioder ad gangen, skal man huske at holde hyppige pauser.

KEND PRODUKTET

Se side 135.

DELE

1. Sprøjtemiddeltankklåg/målebæger
2. Sprøjtelanse-håndtag
3. Tænd/Sluk-knap
4. Udløser med låseknap
5. Batteriets forbindelsessted
6. Sprøjtelanse
7. Dyse
8. Slange
9. Motorhus
10. Tank
11. Klinke (x2)
12. Batteri
13. Oplader

SYMBOLER PÅ PRODUKTET



Sikkerheds Varsel



Alle vejledninger skal læses og forstås, inden produktet benyttes; følg alle advarsler og sikkerhedsinstrukser.



Benyt øjenværn



Bær maske.



Brug friktionsfri, væske-resistente handsker.



Benyt skridsikkert sikkerhedsfodtøj, når produktet anvendes.



Må ikke udsættes for regn eller bruges på fugtige steder.



Dette redskab overholder alle lovkrav og standarder i det EU-land, hvor det er købt.



EurAsian overensstemmelsesmærke



Ukrainsk overensstemmelsesmærke



Elektriske affaldsprodukter bør ikke afskaffes sammen med husholdningsaffald. Genbrug venligst hvor faciliteterne tillader dette. Tjek med din lokale kommune eller forhandler for genbrugsråd.

SYMBOLER I DENNE BRUGSANVISNING



Stop produktet.



Lås



Oplås



Dele eller tilbehør, der sælges separat



Bemærk



Advarsel

Formålet med nedenstående signalord og betydninger er at tydeliggøre risikoniveauet i forbindelse med produktet:



Indikerer en meget farlig situation, som hvis ikke undgås, kan føre til alvorlige skader og i værste fald døden.



Indikerer en potentielt farlig situation, som hvis ikke undgås, kan føre til alvorlige skader og i værste fald døden.



Indikerer en potentielt farlig situation, som hvis ikke undgås, kan føre til mindre eller moderate skader.

PAS PÅ

(Uden sikkerhedsadvarselssymbol)
Indikerer en situation, som kan medføre materiel skade.

Säkerhet, prestanda och pålitlighet har varit högsta prioritet vid design av din kabelria ogrässpruta.

ANVÄNDNINGSSOMRÅDE

Ogrässprutan är avsedd för utomhusbruk i väl ventilerade områden.

Produkten är avsedd för att spraya konsumentkemikalier för hem och trädgård som insektsmedel, ogräsbekämpning och gödningsmedel. Produkten kan även användas för bevattnings.

Använd inte produkten till något annat än vad som anges ovan. Produkten får inte användas av barn eller av personer som inte tillräckligt personlig skyddsutrustning och -kläder.

ALLMÄNNA SÄKERHETSFORESKRIFTER

⚠ VARNING

Läs alla säkerhetsvarningar och alla instruktioner.

Om du inte följer varningarna och anvisningarna kan du orsaka elektrisk stöt, brand och allvarlig skada.

Spara dessa varningar och instruktioner för senare behov.

Termen "kraftverktyg" i varningarna hänvisar till ditt eldrivna (med sladd) verktyg eller ditt batteridrivna (utan sladd) verktyg.

ARBETSMILJÖ

- **Håll arbetsområdet rent och välupplyst.** Oordnade och mörka områden inbjuder till olyckor.
- **Använd inte kraftverktyg i explosiva atmosfärer, exempelvis i närheten av brännbara vätskor, gaser eller damm.** Kraftverktyg ger upphov till gnistor vilka kan antända damm eller ångor.
- **Håll barn och åskådare borta när du använder ett kraftverktyg.** Distractioner kan få dig att tappa kontrollen.

ELSÄKERHET

- **Kraftverktygets kontakt måste matcha uttaget.** Modifiera inte kontakten på något sätt. Använd inga adapterkontakter med jordade kraftverktyg. Omodifierade kontakter och matchande uttag minskar risken för elektrisk stöt.
- **Undvik kroppskontakt med jordade ytor, som exempelvis rör, element, spis och kylskåp.** Det föreligger en förhöjd risk för elektrisk stöt om din kropp är jordad.
- **Exponera inte produkten för regn eller våta förhållanden.** Vatten som tränger in i ett kraftverktyg ökar risken för elektrisk stöt.
- **Misshandla inte sladden.** Använd aldrig sladden för att bära, dra eller koppla bort kraftverktyget. Håll sladden borta från värme, olja, vassa kanter och rörliga delar. Skadade eller intrasslade elsladdar ökar risken för elektrisk stöt.
- **Använd en förlängningsladd avsedd för utomhusbruk när du använder kraftverktyget utomhus.** Användning av en sladd lämplig för

utomhusbruk minskar risken för elektrisk stöt.

- **Använd en jordfelsbrytare om det är oundvikligt att använda ett kraftverktyg i en fuktig miljö.** Användningen av en jordfelsbrytare minskar risken för elektrisk stöt.

PERSONLIG SÄKERHET

- **Var uppmärksam på vad du gör och använd sunt förnuft när du använder ett kraftverktyg. Använd inte ett kraftverktyg när du är trött eller påverkad av droger, alkohol eller mediciner.** Ett ögonblicks uppmärksamhet när du använder kraftverktyg kan orsaka allvarlig personskada.
- **Använd skyddsutrustning. Bär alltid ögonskydd.** Skyddsutrustning, som exempelvis andningsskydd, halkskyddade säkerhetsskor, huvudskydd och hörselskydd minskar i tillämpliga fall risken för personskador.
- **Förhindra oavsiktlig start. Säkerställ att strömbrytaren är i av-läge innan du ansluter till uttaget och/eller batteripaketet, innan du lyfter upp verktyget och innan du bär det.** Att bära kraftverktyg med fingret på avtryckaren eller kraftverktyg som är igång bjuder in olyckor.
- **Ta bort eventuella justerings- eller skiftnycklar innan du startar kraftverktyget.** En skiftnyckel eller justeringsnyckel som lämnas kvar i en roterande del av kraftverktyget kan orsaka personskada.
- **Sträck dig inte. Ha alltid ett bra fotfäste och en god balans.** Det ger dig bättre kontroll över kraftverktyget i oväntade situationer.
- **Klä dig korrekt. Använd inte löst åtsittande kläder eller smycken. Håll ditt hår, dina kläder och handskar borta från rörliga delar.** Lössittande kläder, smycken och långt hår kan fastna i rörliga delar.
- **Om några uppsamlingsenheter för damm och avfall medföljer ska dessa vara ansluta och användas på ett korrekt sätt.** Användningen av en dammuppsamlare kan minska dammrelaterade faror.

ANVÄND OCH TA HAND OM KRAFTVERKTYGET

- **Tvinga inte produkten. Använd rätt kraftverktyg för ditt jobb.** Rätt kraftverktyg gör jobbet bättre och säkrare om det används i den takt som det är designat för.
- **Använd inte kraftverktyget om strömbrytaren inte fungerar för att stänga av och sätta på verktyget.** Alla kraftverktyg som inte kan kontrolleras med strömbrytaren är farliga och måste repareras.
- **Koppla bort kontakten från uttaget och/eller ta bort batteripaketet från kraftverktyget innan du utför några justeringar, byter ut tillbehör eller förvarar kraftverktyget.** Sådana förebyggande åtgärder minskar risken för att kraftverktyget startar oavsiktligt.
- **Förvara avstängda kraftverktyg utom räckhåll för barn och låt inte personer som är obekanta med kraftverktyg, eller dessa instruktioner, använda kraftverktyget.** Kraftverktyg är farliga i händerna på otränade användare.
- **Underhåll dina kraftverktyg. Kontrollera så att**

inga rörliga delar är felinriktade eller sitter fast, att inga delar har gått sönder samt att ingenting annat föreligger som kan påverka kraftverktygets användning. Reparera kraftverktyget innan användning om det är skadat. Många olyckor uppstår på grund av dåligt underhållna kraftverktyg.

- **Håll skärverktyg vassa och rena.** Korrekt underhållna skärverktyg med vassa skärkanter fastnar inte lika lätt och är lättare att kontrollera.
- **Använd kraftverktyget, tillbehören och borrspetsar etc. i enlighet med dessa anvisningar och ta hänsyn till arbetsförhållanden och det jobb som ska utföras.** Användning av kraftverktyget till andra saker än det är avsett för kan resultera i en farlig situation.

ANVÄNDNING OCH UNDERHÅLL AV BATTERIET

- **Använd endast den batteriladdare som tillverkaren rekommenderar.** En batteriladdare som passar en typ av batteripack kan vara en brandfara om den används med en annan typ av batteripack.
- **Använd eldrivna verktyg med batteripaket som är speciellt utformade för användning tillsammans med produkterna.** Om du använder andra batteripaket ökar du risken för skador och brand.
- **När batteripaketet inte används ska det hållas bort från metallföremål som gem, mynt, nycklar, spikar, skruvar och andra små metallföremål som kan kortsluta batteriets kontakter.** Vid kortslutning av batteriets kontakter finns det risk för brännskador eller brand.
- **Vätska kan läcka ut från batteripaketet vid felaktig användning; undvik kontakt med vätskan. Spola med vatten om du kommer i kontakt med den. Uppsök omedelbart läkarhjälp om du får vätska i ögonen.** Den kan orsaka irritation och brännskador.

UNDERHÅLL

- **Låt en kvalificerad serviceperson serva ditt kraftverktyg med identiska utbytesdelar.** Detta säkerställer att kraftverktygets säkerhet bibehålls.

SÄKERHETSFORESKRIFTER FÖR OGRÄSSPRUTA

- Spraya inte lättantändliga vätskor, som bensin, för att undvika risk för eldsvåda eller explosion.
- Följ instruktionerna på etiketten från tillverkaren av kemikalierna gällande användning, rengöring och förvaring. Kemikalier måste förvaras utom räckhåll för barn.
- Spraya inga material om du inte känner till riskerna.
- Minska exponeringen för spraymaterial genom att använda godkänd skyddsutrustning som ansiktsmask för sprayning, handskar och annan lämplig skyddsutrustning.
- Använd inte lättantändliga lösningsmedel eller slipande rengöringsmedel för att rengöra produkten.

⚠ VARNING

Håll spraymaterial borta från ögon. Om spraymaterial kommer i kontakt med ögonen ska du omedelbart skölja med rent vatten. Om irritation kvarstår ska du omedelbart söka läkarvård.

YTTERLIGARE SÄKERHETSFORESKRIFTER

- Se till att barn eller personer med nedsatt fysisk eller psykisk förmåga, eller personer som inte är erfarna eller inte bekanta med dessa instruktioner aldrig använder produkten.
 - Var uppmärksam på risker på grund av spraymaterialen. Innan bekämpningsmedel eller andra sprayer används med produkten ska du läsa etiketten på originalbehållaren och följa anvisningarna.
 - Håll området fritt från åskådare, barn och husdjur under sprayning.
 - Se till att spraystaven sitter ordentligt fast på spraystavhandtaget innan produkten används. Använd vid behov en tång för att fästa spraystaven vid spraystavhandtaget.
 - Kom ihåg att noga ersätta och dra åt spraytanklocket efter påfyllning av vätska.
 - Använd enbart konsumentklassade vattenbaserade trädgårdskemikalier.
 - Använd inte kemikalier avsedda för yrkesmässigt eller industriellt bruk.
 - Använd inte alkaliska självuppvärmande eller frätande (syra) vätskor med produkten. De kan fräta på metalldelar eller försvaga tank eller slang.
 - Lämna inga rester eller spraymaterial i spraybehållaren efter användning. Rengör efter varje användning.
 - Håll inte i varma eller kokande vätskor i spraytanken. De kan försvaga eller skada slang eller tank.
 - Överfyll inte tanken.
 - Kontrollera alltid för läckage. Om fel eller skador hittas ska de rättas till före användning.
 - Sprayområdet ska vara väl ventilerat.
 - Se över både insidan och utsidan av produkten före användning.
 - Sprayvätskan ska vara lika tunn som vatten. Tjockare vätska sprayas inte jämnt.
 - Spraymaterial kan vara förblandade och hålls i spraytanken via en tratt vid behov.
- NOTERA:** Vid användning av mätbehållare annan än mätkoppen eller om en tratt använts för att fylla på tanken ska du noga rengöra och skölja dessa efter användning. Vid förblandning av spraymaterial ska behållaren att blanda i sköljas ur.
- Spraya inte om det finns gnistor, flammor eller andra tändningar i närheten.
 - Spraya inte mot personer eller djur. Spraya inte mot vinden.
 - Rök, ät och drick inte under användning.
 - Spruta inte direkt mot hud.
 - Låt inte spraymaterial komma i kontakt med huden.



Vid kontakt, tvätta omedelbart med tvål och rikligt med vatten.

- Rikta munstycket direkt mot växter och objekt som ska sprayas.
- Se till att spraymaterial riktas mot områden som inte skadas av spraymaterialen.
- Spraya inte om det är blåsigt. Spraymaterial kan av misstag blåsa på plantor och växter som inte ska sprayas.
- Håll spraymaterial borta från ögon. Om spraymaterial kommer i kontakt med ögonen ska du omedelbart skölja med rent vatten. Om irritation kvarstår ska du omedelbart söka läkarvård.
- Produkten kan användas med spraystavhandtaget i sin vaggan eller tas bort från vaggan och hållas av användaren.
- Risk för elektrisk stöt. Spraya inte mot eluttag.
- Efter varje användning ska händer och hud som exponerats för spray rengöras nog.
- Underhåll av produkten. Se nog över både insidan och utsidan av produkten och kontrollera komponenterna före användning. Kontrollera så det inte finns spruckna eller slitna slangar, läckage, igensatta munstycken samt saknade eller skadade delar. Om produkten är skadad måste den repareras före användning. Många olyckor sker på grund av dåligt underhållna produkter.
- Ta bort batteriet från produkten före dränering, rengöring och förvaring för att undvika start av misstag.

En indikation om att enheten kan lyda under nationella krav på regelbunden inspektion av ansvariga myndigheter, såsom anges i Europaparlamentets och rådets direktiv 2009/128/EC från den 21 oktober 2009 om upprättande av en ram för gemenskapens åtgärder för att uppnå en hållbar användning av bekämpningsmedel.

BLANDNING AV SPREJVÄTSKAN

⚠ VARNING

Följ strikt tillverkarens anvisningar vid blandning av kemikalierna. Felaktiga blandningar kan ge upphov till toxiska ångor eller explosiva lösningar.

- Spreja aldrig utspädda flytande kemikalier avsedda för ogräsbekämpning.
- Bered lösningen och fyll behållaren enbart utomhus eller i väl ventilerade utrymmen.
- Bered bara så mycket lösning som behövs för den aktuella uppgiften, så att inget blir över.
- Blanda inte olika kemikalier om inte den aktuella blandningen har godkänts av tillverkaren.

PÅFYLLNING AV BEHÅLLAREN

- Ställ sprejheten på en plan yta. Fyll inte behållaren över markeringen för maximalt innehåll.
- Vid påfyllning från bruksvattenförsörjning, sänk inte ned slangens ände i lösningen. Ett plötsligt tryckfall i systemet kan leda till att lösningen sugts in i vattenledningen.
- Innan du fyller behållaren med sprejlösning, utför ett

test med rent vatten och kontrollera alla sprejhetens delar avseende läckage.

- Efter påfyllning, sätt på locket och dra åt det ordentligt.
- Häng en etikett på produkten för att visa vilken kemikalie som används.

TILLÄMPNING

- Arbeta enbart utomhus eller i väl ventilerade lokaler, t.ex. öppna växthus.
- Blås aldrig in i munstycken eller andra komponenter med munnen.
- Undvik kontakt med bekämpningsmedel, och byt omedelbart kläder som förorenats med kemikalier för ogräsbekämpning.
- Spreja inte vid blåsigt väderlek.
- För högt eller för lågt tryck eller ofördelaktiga väderförhållanden kan leda till att lösningen får fel koncentration. Överdoserering kan skada växter och miljö. För låg dosering kan leda till att växtbehandlingen misslyckas.
- För att reducera risken för skador på växter och miljö, använd inte sprejheten
 - om trycket är för lågt eller för lågt
 - vid blåsigt väderlek
 - i direkt solljus
- För att minska risken för olycksfall och skador på sprejheten, använd aldrig sprejheten med:
 - antändliga vätskor
 - viskösa eller klubbiga vätskor
 - frätande eller korrosiva kemikalier
 - vätskor varmare än 50 °C
- Undvika att använda produkten vid låga temperaturer, eftersom lösningen kan frysa.

TRANSPORT OCH FÖRVARING

- Ta bort batteripacket.
- Se till att alla delar är rena och torra.
- Ta bort allt främmande material från produkten.
- Töm ut all sprejvätska från sprejbehållaren före förvaring och transport.
- Efter varje användning, kontrollera alla produktens delar avseende läckage. Lämna produkten till en godkänd serviceverkstad för reparation vid behov.
- Spraystaven kan förvaras i vaggan.
- Vid transport ska produkten säkras mot rörelser eller fallande för att förhindra personskadorna eller att produkten skadas.
- Förvara den svalt och välventilerat på en plats där barn inte kan komma åt den. Förvara på avstånd från frätande medel, t.ex. trädgårdskemikalier och vägsalt. Förvara den inte utomhus.

UNDERHÅLL

Undvik att använda lösningsmedel vid rengöring av plastdelar. De flesta plasterna är mottagliga för skador från olika varianter av kommersiella lösningsmedel och kan skadas om sådana används. Använd en ren och torr trasa



för att avlägsna smuts, damm, olja, fett, osv.

PÅMINNELSE

Låt aldrig bromsvätska, bensen, bensinbaserade produkter, penetrerande oljor, etc., komma i kontakt med plastdelarna. Kemikalier kan skada, försvaga eller förstöra plast vilket kan orsaka allvarlig personskada.

VARNING

Använd enbart ersättningsdelar och tillbehör från tillverkaren. Om inte kan det eventuellt orsaka skador, sämre resultat och kan upphäva garantin.

VARNING

Att serva produkten kräver extrem försiktighet och kunskap och bör endast utföras av en kvalificerad servicetekniker. Vi rekommenderar att du returnerar produkten till ditt närmsta auktoriserade servicecenter för reparation. Använd endast identiska utbytesdelar när produkten servas.

VARNING

Undvik allvarliga personskador genom att alltid ta bort batteriet från produkten vid rengöring och underhåll.

- Du får enbart göra justeringar eller reparationer som nämns i denna manual. För alla andra reparationer ska godkänt servicecenter kontaktas.
- Efter varje användning ska produkten rengöras enligt beskrivning i bruksanvisningen.
- Dränera eller töm spraytanken före rengöring.
- Dränera spraymaterial genom fyllningsdelen.

NOTERA: Dränera allt spraymaterial från tanken till en behållare avsedd för kemikalier. Förvara inte kemikalier i spraytanken.

- Använd rent vatten för att rengöra och skölja spraytanken. Man kan tillsätta en liten mängd mild rengöringsmedel.
- Torka av produkten med en ren, torr trasa.
- Det kan behövas att spraytanken sköljs ur mer än en gång.

AVYTTRING

Töm aldrig överblivna kemikalier eller förorenade sköljlösningar i vattendrag, avlopp, rännstenar eller manhål. Kassera överblivna kemikalier och använda behållare i enlighet med lokala föreskrifter för avfallshantering.

KVARSTÅENDE RISKER

Även om produkten används enligt instruktionerna går det inte att eliminera alla eventuella riskfaktorer. Följande risker kan uppkomma under bruk och användaren ska vara extra uppmärksam för att undvika följande:

- Elektrisk stöt. Spraya aldrig vätska mot eluttag, kablar eller apparater.
- Kontakt med riskfyllda ämnen. Spraymaterial kan vara

hälsosofarliga vid inandning, inmundigande eller vid kontakt med hud eller ögon. Följ instruktionerna noga och använd lämplig skyddsutrustning som beskrivs i bruksanvisningen.

VARNING

Risk för person- eller slitageskador vid användning av verktyget under lång tid. Om verktyget används under längre perioder krävs regelbundna pauser.

LÄR KÄNNA PRODUKTEN

Se sida 135.

DELAR

1. Spraytanklock/mätkopp
2. Spraystavhandtag
3. På/av-brytare
4. Låsbar avtryckare
5. Anslutning till batteriet
6. Spraystav
7. Munstycke
8. Slang
9. Motorkåpa
10. Tank
11. Spärr (x2)
12. Batteri
13. Batteriladdare

SYMBOLER PÅ PRODUKTEN



Säkerhetsvarning



Läs igenom och var införstådd med alla instruktioner före användning av produkten, var uppmärksam på alla varningar och säkerhetsinstruktioner.



Bär ögonskydd



Använd mask.



Använd halkfria, vätsketåliga handskar.



Bär halkskyddade säkerhetsskor när du använder produkten.



Utsätt inte för regn eller våta omgivningar.



Detta verktyg uppfyller alla standarder i de EU-länder där det kan köpas.



EurAsian överensstämmelsesymbol



Ukrainskt märke för överensstämmelse



Gamla elektroniska produkter ska inte kastas med hushållssoporna. Återvinn där sådana faciliteter finns. Kontrollera med din lokala myndighet eller säljaren för att få återvinningstips.

Följande signalord och betydelser är avsedda att beskriva risknivåer associerade med produkten:



Indikerar en överhängande farlig situation som kan, om den inte undviks, resultera i dödsfall eller allvarlig skada.



Indikerar en potentiellt farlig situation som kan, om den inte undviks, resultera i dödsfall eller allvarlig skada.



PÅMINNELSE

Indikerar en potentiellt farlig situation som kan, om den inte undviks, resultera i mindre eller medelstora skador.

PÅMINNELSE

(Utan säkerhetssymbol) Visar på en situation som kan orsaka skada på egendom.

SYMBOLER I MANUALEN



Stäng av produkten.



Lås



Lås upp



Delar och utrustning säljs separat



Notera



Varning

- EN
- FR
- DE
- ES
- IT
- NL
- PT
- DA
- SV**
- FI
- NO
- RU
- PL
- CS
- HU
- RO
- LV
- LT
- ET
- HR
- SL
- SK
- BG
- UK
- TR

Johdottoman rikkaruohoruiskun suunnittelussa on pidetty etusijalla turvallisuutta, suorituskykyä ja luotettavuutta.

KÄYTTÖTARKOITUS

Rikkaruohoruisku on tarkoitettu ulkokäyttöön hyvin tuulettulle alueelle.

Tuote on tarkoitettu kuluttajille tarkoitettuja koti- ja puutarhakemikaaleja, kuten hyönteismyrkkyjä, sienimyrkkyjä, rikkaruohomyrkyä ja ravinteita. Tuotetta voi käyttää myös puhtaan veden kanssa.

Älä käytä tuotetta mihinkään käyttötarkoitukseen, jota ei lueta yllä. Tuotetta eivät saa käyttää lapset tai henkilöt, joilla ei ole riittäviä henkilökohtaisia suojavarusteita ja -vaatetusta.

YLEISET TURVALLISUUSVAROITUKSET

⚠ VAROITUS

Lue kaikki turvallisuusvaroitukset ja ohjeet. Varoitusten ja ohjeiden laiminlyönnistä voi seurata sähköisku, tulipalo ja/tai vakava loukkaantuminen.

Säilytä nämä varoitukset ja ohjeet myöhempää tarvetta varten.

Sana "sähköyökalu" viittaa varoituksissa verkkovirta- (langalliseen) tai akkukäyttöiseen (langattomaan) sähköyökaluun.

TYÖYMPÄRISTÖ

- Pidä työalue siistinä ja valoisaan. Epäjärjestyksessä olevat ja pimeät alueet myötävaikuttavat onnettomuuksiin.
- Älä käytä sähköyökalua räjähdysalttiissa paikoissa, kuten helposti syttyvien nesteiden tai kaasujen tai pölyn läheisyydessä. Sähköyökalut kipinöivät, mikä saattaa sytyttää pölyn tai höyryt.
- Pidä lapset ja sivulliset loitolla, kun käytät sähköyökaluja. Häiriöt voivat saada koneen riistäytymään hallinnasta.

SÄHKÖTURVALLISUUS

- Pistokkeen on sovittava pistorasiaan. Älä koskaan muunna pistoketta millään tavalla. Älä käytä maadoitettujen sähköyökalujen kanssa minkäänlaisia sovittipistokkeita. Alkuperäiset pistokkeet ja niitä vastaavat pistorasiat pienentävät sähköiskun vaaraa.
- Älä kosketa maadoitettuihin pintoihin, kuten putkiin, lämpöpattereihin, heloihin tai jääkaappeihin. Jos ruumiisi on maadoitettu, sähköiskun vaara on suurempi.
- Älä altista tuotetta sateelle tai kosteudelle. Sähköyökaluun joutunut vesi kasvattaa sähköiskun vaaraa.
- Pidä huolta sähköjohdosta. Älä koskaan kannata tai vedä sähköyökalua johdosta tai irrota pistoketta johdosta vetämällä. Pidä johto etäällä kuumista paikoista, öljystä, terävistä kulmista ja liikkuvista osista. Vioittunut tai takkuinen johto lisää sähköiskun vaaraa.

- Kun käytät sähköyökalua ulkotiloissa, käytä ulkokäyttöön sopivaa jatkojohtoa. Ulkokäyttöön sopivan johdon käyttö pienentää sähköiskun vaaraa.

- Jos sähköyökalua on pakko käyttää kosteissa tiloissa, käytä jäännösvirtalaitteella (RCD) suojattua pistorasiaa. RCD:n käyttö pienentää sähköiskun vaaraa.

KÄYTTÄJÄN TURVALLISUUS

- Ole valpas, katso mitä teet ja käytä maalaisjärkeä, kun käytät sähköyökalua. Älä käytä sähköyökalua väsyneenä tai huumeiden, alkoholin tai lääkkeiden vaikutuksen alaisena. Tarkkaamattomuus sähköyökalua käytettäessä saattaa johtaa vakavaan loukkaantumiseen.

- Käytä henkilökohtaisia suojavarusteita. Käytä aina suojalaseja. Suojalaitteet, kuten pölynaamarit, luistamattomat suojakengät, kypärä ja kuulosuojaimet vähentävät loukkaantumisen vaaraa.

- Älä anna koneen käynnistyä vahingossa. Varmista, että katkaisin on poissa päältä, ennen kuin kytket koneen virtalähteeseen ja/tai akkuun ja ennen kuin nostat tai kannat konetta. Sähköyökalun kantaminen sormi katkaisimella ja virran kytkeminen koneeseen, joka on päällä, saattaa johtaa onnettomuuksiin.

- Irrota säätöavaimet ja jakoavaimet ennen sähköyökalun käynnistystä. Sähköyökalun pyöriivään osaan jätetty jako- tai säätöavain saattaa johtaa loukkaantumiseen.

- Älä kurkota liian pitkälle. Pysyttele tukevasti jaloillasi äläkä kurkota käsivartta liian kauas. Tällöin sähköyökalua on helpompi hallita odottamattomissa tilanteissa.

- Älä puukeudu väliin vaatteisiin, kravattiin tai koruihin, jotka voivat juuttua liikkuviin osiin. Älä käytä väliä vaatteita tai koruja. Pidä hiukset, vaatteet ja käsinet etäällä liikkuvista osista. Löysät vaatteet, korut ja pitkät hiukset saattavat tarttua liikkuviin osiin.

- Jos laitetta varten on pölynpoisto- ja keräyslaite, kytke se asianmukaisesti ja käytä sitä oikein. Pölyn kerääminen voi vähentää pölyyn liittyviä vaaroja.

SÄHKÖYÖKALUN KÄYTTÖ JA HUOLTO

- Älä pakota tuotetta. Käytä työhön sopivaa sähköyökalua. Asianmukainen sähköyökalu hoitaa työt paremmin ja turvallisemmin sillä vauhdilla, jota varten se on suunniteltu.

- Älä käytä sähköyökalua, jos se ei käynnisty ja sammu katkaisimesta. Jos sähköyökalua ei voida hallita katkaisimella, se on vaarallinen ja vaatii korjaamista.

- Irrota pistoke virranlähteestä ja/tai akku työkoneesta, ennen kuin teet säätöjä, vaihdat varusteita tai varastoit koneen. Tällaiset varoitimet pienentävät sitä vaaraa, että kone käynnistyy vahingossa.

- Varasto sähköyökalu pois lasten ulottuvilta äläkä anna kenenkään, joka ei tunne työkonetta tai näitä ohjeita, käyttää sitä. Sähköyökalut ovat vaarallisia kouluttamattomien käyttäjien käsissä.



- **Huolla sähkötyökalut.** Tarkista, että liikkuvat osat on kohdistettu oikein ja että ne liikkuvat kunnolla, että osia ei ole rikkoutunut ja että mikään muu seikka ei haittaa sähkötyökalun toimintaa. Jos sähkötyökalu vioittuu, korjaa se ennen käyttöä. Onnettomuudet johtuvat usein sähkötyökalujen huonosta huollosta.
- **Pidä leikkuutyökalut terävinä ja puhtaina.** Asianmukaisesti huolletut leikkuutyökalut, joiden leikkuupinnat ovat teräviä, eivät jumiuudu helposti ja niitä on helppo hallita.
- **Käytä työkonetta, lisävarusteita, teriä jne. näiden ohjeiden mukaisesti, ja huomioi työolosuhteet ja tehtävän työn laatu.** Työkoneen käyttö muuhun kuin sille tarkoitettuun työhön voi aiheuttaa vaarallisia tilanteita.

AKKUKÄYTTÖISEN TYÖKALUN KÄYTTÖ JA HOITO

- **Käytä lataukseen ainoastaan valmistajan suosittelemaa laturia.** Yhden tyyppiselle akulle sopivan laturin käyttö toisenlaisen akun kanssa voi olla vaarallista.
- **Käytä sähkötyökalua ainoastaan sitä varten suunniteltujen akkujen kanssa.** Muiden akkujen käyttö voi johtaa loukkaantumiseen ja tulipaloon.
- **Kun akkua ei käytetä, pidä se erillään metalliesineistä, kuten paperiliittimistä, kolikoista, avaimista, nautoista, ruuveista ja muista pienistä metalliesineistä, jotka voivat yhdistää akun navat.** Akun napojen oikosulkeminen voi aiheuttaa palovammoja ja tulipalon.
- **Jos akkua käsitellään väärin, siitä voi vuotaa nestettä; älä kosketa sitä. Jos kosketat sitä vahingossa, huuhtelee se vedellä. Jos nestettä pääsee silmiin, hakeudu lisäksi lääkärin hoitoon.** Akusta vuotanut neste voi ärsyttää ihoa ja aiheuttaa palovammoja.

HUOLTO

- **Huollata työkone pätevällä huoltomiehellä, joka käyttää ainoastaan asianmukaisia varaosia.** Tämä varmistaa, että sähkötyökalu on turvallinen.

RIKKARUOHORUIKUN TURVALLISUUSVAROITUKSET

- Älä ruiskuta tulenarkoja nesteitä, kuten bensiiniä, jotta tulipalon ja räjähdysen vaara vähenisi.
- Noudata aina tuote-etikettiin painettuja kemikaalin valmistajan ohjeita käytöstä, puhdistuksesta ja säilytyksestä. Kemikaaleja on säilytettävä lasten ulottumattomissa.
- Älä sumuta ainetta, jonka vaaroja et tunne.
- Käytä asianmukaisia suojavarusteita, kuten ruiskutukseen tarkoitettua kasvosuojainta, käsineitä ja muita asianmukaisia suojavarusteita, välttyäkseen altistumiselta ruiskutusmateriaaleille.
- Älä käytä tulenarkoja liuottimia tai hankaavia puhdistusaineita tuotteen puhdistukseen.

VAROITUS

Pidä ruiskutusmateriaalit kaukana silmistä. Jos ruiskutusmateriaalia pääsee silmiin, pese ne välittömästi puhtaalla vedellä. Jos ärtymys ei lakkaa, hakeudu välittömästi lääkärin hoitoon.

MUITA TURVALLISUUSVAROITUKSIA

- Älä koskaan salli lasten tai ihmisten, joiden fyysiset tai henkiset kyvyt tai aistit ovat heikentyneet tai joilta puuttuu kokemusta tai tietämystä, tai näitä ohjeita tunteuttomien käyttäjä tuotetta.
 - Ole tietoinen ruiskutettavan materiaalin aiheuttamista vaaroista. Ennen kuin käytät mitään tuholaismyrkyä tai muuta ruiskutettavaa materiaalia tuotteen kanssa, lue alkuperäisen säiliön etiketti huolella ja noudata ohjeita.
 - Pidä sivulliset, lapset ja lemmikit poissa alueelta ruiskua käytettäessä.
 - Varmista, että suihkuputki on kiinnitetty kahvaansa kunnolla, ennen kuin käytät tuotetta. Kiinnitä suihkuputki tarvittaessa kahvaansa pihdeillä.
 - Muista kiinnittää ja kiristää ruiskutussäiliön korkki kaadettuasi nestettä ruiskutussäiliöön.
 - Käytä vain kuluttajille tarkoitettuja vesipohjaisia nurmikko- ja puutarhakemikaaleja.
 - Älä käytä kaupallaadun kemikaaleja tai kaupalliseen tai teolliseen käyttöön tarkoitettuja kemikaaleja.
 - Älä käytä alkaleja itselämpiviä tai syövyttäviä (happoja) nesteitä tuotteen kanssa. Ne syövyttävät metalliosia ja heikentävät säiliötä ja letkua.
 - Älä jätä jäänteitä tai ruiskuta materiaalia ruiskutussäiliöön tuotetta käytettyäsi. Puhdista kunkin käyttökerran jälkeen.
 - Älä kaada kuumia tai kiehuvia nesteitä ruiskutussäiliöön. Ne voivat heikentää tai vahingoittaa letkua tai ruiskutussäiliötä.
 - Älä ylitäytä säiliötä.
 - Tarkista aina vuodot. Jos on, korjaa ne ennen tuotteen käyttöä.
 - Ruiskutusalueen on oltava hyvin tuuletettu.
 - Tarkista tuote aina sisä- ja ulkopuolelta ennen käyttöä.
 - Ruiskutettavien nesteiden tulee olla yhtä ohuita kuin vesi. Paksumpia nesteitä ei voi ruiskuttaa asianmukaisesti.
 - Ruiskutusmateriaalit on sekoitettava valmiiksi ja kaadettava ruiskutussäiliöön käyttäen tarvittaessa suppiloa.
- HUOMAUTUS:** Jos käytät muuta mitta-astiaa kuin mittakuppia tai kun täytät säiliön suppilolla, puhdista ja huuhtelee ne huolella käytön jälkeen. Kun sekoitat ruiskutettavia materiaaleja, huuhtelee sekoittamiseen käytetty astia.
- Älä ruiskuta paikkoihin, missä on kipinöitä, liekkiä tai muita syttymisen lähteitä.
 - Älä ruiskuta ihmisten tai eläinten suuntaan. Ruiskuta aina alaspäin.
 - Älä tupakoi, syö tai juo tuotetta käyttäessäsi.

EN
FR
DE
ES
IT
NL
PT
DA
SV
FI
NO
RU
PL
CS
HU
RO
LV
LT
ET
HR
SL
SK
BG
UK
TR





- Älä ruiskuta suoraan iholle.
- Älä anna ruiskutettavien materiaalien päästä kosketuksiin ihon kanssa. Jos joudut kosketuksiin sen kanssa, pese välittömästi runsaalla vedellä ja saippualla.
- Suuntaa suutin suoraan ruiskutettaviin kasveihin tai esineisiin.
- Varmista, että ruiskutusmateriaalit suunnataan alueelle, jota ne eivät vahingoita.
- Vältä ruiskuttamista tuulisina päivinä. Tuuli voi puhalltaa ruiskutusmateriaalia kasveille tai esineille, joita ei pitäisi ruiskuttaa.
- Pidä ruiskutusmateriaalit kaukana silmistä. Jos ruiskutusmateriaalia pääsee silmiin, pese ne välittömästi puhtaalla vedellä. Jos ärtymys ei lakkaa, hakeudu välittömästi lääkärin hoitoon.
- Tätä tuotetta voi käyttää pitämällä suihkuputken kahva telineessä tai käyttäjän kädessä.
- Sähköiskun vaara. Älä ruiskuta pistorasioiden suuntaan.
- Pese kätesi ja muut suihkeelle mahdollisesti altistuneet ihoalueet huolella jokaisen käyttökerran jälkeen.
- Huolla tuote. Tarkista tuote huolella sisä- ja ulkopuolelta ja tarkista kukin komponentti aina ennen käyttöä. Tarkista haljenneiden ja huonokuntoisten letkujen, vuotojen, tukkeutuneiden suutinten ja puuttuvien ja vaurioituneiden osien varalta. Jos tuote vioittuu, korjaa se ennen käyttöä. Monet onnettomuudet johtuvat huonosti huolletuista tuotteista.
- Irrota tuotteesta akku ennen tyhjennystä, puhdistusta ja varastointia välttääksesi tahattomat käynnistykset.

Tähän tuotteeseen voi kohdistua kansallisia vaatimuksia, jotka koskevat määritettyjen elinten suorittamia säännöllisiä tarkastuksia yhteisön politiikan puitteista torjunta-aineiden kestävän käytön aikaansaamiseksi 21. päivänä lokakuuta 2009 annetun Euroopan parlamentin ja neuvoston direktiivin 2009/128/EY mukaisesti.

RUISKUTUSLIUKSEN SEKOITTAMINEN

VAROITUS

Sekoita kemikaalit valmistajan ohjeiden mukaisesti. Virheelliset seokset voivat tuottaa myrkyllisiä höyryjä tai räjähtäviä liuoksia.

- Älä koskaan ruiskuta nestemäisiä rikkakasvien torjuntakemikaaleja laimentamatta.
- Valmista liuos ja täytä säiliö vain ulkona tai hyvin tuulettuvissa paikoissa.
- Valmista liuosta vain sen verran kuin tehtävä vaatii niin että liuosta ei jää yhtään jäljelle työn päätyttyä.
- Älä sekoita eri kemikaaleja paitsi silloin kun valmistaja on hyväksynyt kyseessä olevan seoksen.

SÄILIÖN TÄYTTÄMINEN

- Laita ruisku tasaiselle pinnalle. Älä täytä säiliötä maksimimerkin yläpuolelle.
- Kun täytät säiliötä yleisestä vedensaantipisteestä, älä upota letkun päätä liuokseen. Yhtäkkinen matala

paine järjestelmässä voi aiheuttaa liuksen virtaamisen takaisin vedenjakelupisteeseen.

- Ennen kuin täytät säiliön ruiskutusliuksella, testaa ruiskua tuoreella vedellä ja tarkasta ruiskun kaikki osat vuotojen varalta.
- Laita täyttämisen jälkeen täyttöaukon korkki paikalleen ja kiristä se riittävän tiukkaan.
- Ripusta tuotteeseen merkki, joka osoittaa, mitä kemikaaleja käytetään.

SOVELLUS

- Työskentele vain avoimissa tai hyvin tuulettuvissa paikoissa, esim. avoimissa kasvihuoneissa.
- Älä puhalla ilmaa koskaan suun kautta suuttimien tai muiden osien läpi.
- Vältä kontaktia rikkakasvien torjuntakemikaalien kanssa, ja vaihda heti vaatteet, jos ne altistuvat torjuntakemikaaleille.
- Älä ruiskuta tuulisissa olosuhteissa.
- Liian korkea tai matala paine tai epäsuotuisat sääolosuhteet voivat johtaa virheelliseen liuosvahvuuteen. Liian vahvat liuokset voivat vahingoittaa kasveja ja ympäristöä. Liian laimeat liuokset voivat johtaa rikkakasvitorjunnan epäonnistumiseen.
- Jotta voit välttää vahingoittamasta ympäristöä ja kasveja, älä käytä ruiskua
 - paineen ollessa liian korkea tai matala
 - tuulisissa olosuhteissa
 - suorassa auringonvalossa.
- Jotta voit vähentää onnettomuusriskejä ja ruiskun vahingoittumisen, älä käytä ruiskua
 - tulenarkojen nesteiden kanssa
 - paksumuovisten tai tahmeiden nesteiden kanssa
 - emäksisten tai syövyttävien kemikaalien kanssa
 - 50 °C:ta kuumempien nesteiden kanssa.
- Vältä käyttämästä tuotetta jääkylmässä vedessä, sillä liuos voi jäätä.

KULJETUS JA VARASTOITAESSA

- Irrota akku laitteesta.
- Varmista, että kaikki osat ovat puhtaita ja kuivia.
- Puhdista laitteesta kaikki vieraat materiaalit.
- Valuta kaikki ruiskutusneste pois ruiskun säiliöstä ennen varastointia tai kuljetusta.
- Tarkasta jokaisen käytön jälkeen kaikki tuotteen osat vuotojen varalta. Palauta tuote valtuutettuun huoltokeskukseen korjausta varten, jos siinä on vuotoja.
- Suihkuputki voidaan pitää telineessä.
- Kiinnitä tuote kuljetettaessa siten, että se ei pääse liikkumaan tai kaatumaan, jotta vältytään loukkaantumisilta ja vaurioilta.
- Varastoi laite viileään, kuivaan ja hyvin tuuletettuun paikkaan, jossa lapset eivät pääse siihen käsiksi. Pidä poissa syövyttäviltä aineilta kuten putarhakemikaaleilta ja jäänsulatussuolalta. Älä säilytä ulkona.



HUOLTO

Älä puhdista muoviosia liuottimilla. Suurin osa muoveista ei siedä markkinoilla olevia määrättyjä liuotteita, jotka vahingoittavat niitä. Poista lika, pöly, öljy, rasva tms. puhtailla rievuilla.

⚠ HUOMAUTUS

Älä koskaan päästä jarrunesteitä, bensiiniä, öljytuotteita, läpäiseviä öljyjä tms. kosketuksiin muoviosien kanssa. Kemikaalit voivat vioittaa, heikentää ja tuhota muovia, mikä saattaa aiheuttaa vakavan loukkaantumisen.

⚠ VAROITUS

Käytä ainoastaan alkuperäisiä valmistajan tuottamia varaosia, lisälaitteita ja lisävarusteita. Tämän noudattamatta jättäminen voi johtaa loukkaantumiseen ja huonoon tulokseen ja voi mitätöidä takuun.

⚠ VAROITUS

Huolto kaipaa suurta huolellisuutta ja hyvää työkalun tuntemusta: Se on annettava pätevän tekniikon tehtäväksi. Suosittelemme, että viet työkalun korjattavaksi lähimpään valtuutettuun liikkeeseen. Käytä vaihdossa yksinomaan alkuperäisiä varaosia.

⚠ VAROITUS

Jotta vältyt vakavalta vammalta, irrota akku tuotteesta aina ennen puhdistusta ja huoltoa.

- Sinulla on lupa suorittaa ainoastaan tässä käsikirjassa kuvattuja säätöjä ja korjauksia. Jos laite vaatii muuta huoltoa, ota yhteys valtuutettuun huoltopisteeseen.
- Puhdista tuote jokaisen käyttökerran jälkeen tämän käyttöoppaan ohjeiden mukaisesti.
- Tyhjennä ruiskutus säiliö ennen puhdistamista.
- Tyhjennä ruiskutusmateriaali täyttöaukon kautta.

HUOMAUTUS: Tyhjennä kaikki ruiskutusmateriaali ruiskutus säiliöstä kemikaaleille hyväksytyyn säiliöön. Älä säilytä kemikaaleja ruiskutus säiliössä.

- Puhdista ja huuhtelee ruiskutus säiliö puhtaalla vedellä. Voit lisätä pienen määrän laimeaa talouspuhdistusainetta.
- Pyyhi tuote puhtaalla, kuivalla liinalla.
- Ruiskutus säiliö voidaan joutua huuhtelemaan useammin kuin kerran.

HÄVITTÄMINEN

Älä koskaan poista käyttämättä jääneitä kemikaaleja tai kemikaaleille altistuneita huuhtomisliuoksia viemäreihin tai vesistöihin.

Poista käyttämättä jääneet kemikaalit ja käytetyt säiliöt paikallisten jätehuoltomääräysten mukaisesti.

KÄYTTÖÖN LIITTYVÄT RISKIT

Vaikka tuotetta käytettäisiin ohjeiden mukaisesti, ei ole mahdollista täysin eliminoida tiettyjä käyttöön liittyviä riskitekijöitä. Käytössä voi aiheutua seuraavia vaaroja, ja käyttäjän tulee kiinnittää erityistä huomiota niiden välttämiseen:

- Sähköisku. Älä koskaan ruiskuta nestettä pistorasioita, kaapeleita tai laitteita kohden.
- Kontakti vaarallisten aineiden kanssa. Ruiskutusmateriaalit voivat olla haitallisia hengitettynä, nieltynä tai päästessään kosketuksiin ihon tai silmien kanssa. Noudata ohjeita huolella ja käytä asianmukaisia tämän käyttöoppaan mukaisia suojarusteita.

⚠ VAROITUS

Laitteen pitkittynyt käyttö voi aiheuttaa tai vaikeuttaa vammoja. Kun käytät mitä tahansa laitetta pitkiä aikoja, muista pitää säännöllisiä taukoja.

TUNNE TUOTTEESI

Katso sivu 135.

OSAT

1. Ruiskutus säiliön korkki/mittakuppi
2. Suihkuputken kahva
3. Virtapainike
4. Liipaisin ja lukitus
5. Akkuliitin
6. Suihkuputki
7. Suutin
8. Letku
9. Moottorin kotelo
10. Säiliö
11. Salpa (x2)
12. Akku
13. Laturi

TUOTTEESSA OLEVAT SYMBOLIT



Varoitus



Lue ja ymmärrä kaikki ohjeet ennen tuotteen käyttöä ja noudata kaikkia varoituksia ja turvallisuusohjeita.



Käytä silmäsuojaimia



Käytä naamaria.



Näytä lipsumattomia, vedenpitäviä käsineitä.



Käytä tätä tuotetta käyttäessäsi luisumattomia turvajalkineita.



Älä altista konetta sateelle tai kosteudelle.



Tämä työkalu on sen EU-maan kaikkien sääntömääräisten standardien mukainen, josta se on ostettu.



EurAsian-vaatimustenmukaisuusmerkki



Ukrainalainen säädöstenmukaisuusmerkintä



Käytöstä poistettavia sähkölaitteita ei pidä hävittää talousjätteiden mukana. Ne on mahdollisuuksien mukaan pantava kiertoon. Kierrätysohjeita antavat kunnan viranomaiset ja vähittäiskauppiat.



Varoitus

Seuraavien merkien tarkoitus on selittää, miten vakava riski tuotteeseen liittyy.



Ilmaisee välitöntä vaaratilannetta, joka ellei sitä välttetä, johtaa kuolemaan tai vakavaan loukkaantumiseen.



Ilmaisee potentiaalisen vaaratilanteen, joka ellei sitä välttetä, johtaa kuolemaan tai vakavaan loukkaantumiseen.



Ilmaisee potentiaalisen vaaratilanteen, joka ellei sitä välttetä, saattaa johtaa pienempään tai keskiarvoon loukkaantumiseen.

HUOMAUTUS

(Ilman turvallisuusvaroitussymbolia) Ilmoittaa tilanteesta, jossa omaisuutta saattaa vaurioitua.

TÄMÄN KÄSIKIRJAN SYMBOLIT



Pysäytä moottori.



Lukko



Avaa



Osat ja lisävarusteet on hankittava erikseen



Huom



Sikkerhet, ytelse og driftssikkerhet er gitt topp prioritet i konstruksjonen av din trådløse ugresssprøyter.

TILTENKT BRUK

Ugresssprøyten er beregnet for utendørs bruk i et godt ventilert område.

Produktet er ment til sprøyting av hagekjemikalier tiltenkt hjemmebruk som insektmiddel, soppdrepende midler, ugressmidler og gjødsel. Produktet kan også brukes til vannplanter.

Ikke bruk produktet til annet enn det som er beskrevet over. Produktet skal ikke brukes av barn eller personer som ikke bruker tilstrekkelig personlig verneutstyr og verneklær.

GENERELLE SIKKERHETSADVARSLER

ADVARSEL

Les alle sikkerhetsadvarslene og alle instruksjonene. Å unnlate å følge advarslene og instruksjonene kan føre til elektrisk støt, brann og alvorlig personskade.

Ta vare på disse advarslene og instruksjonene for å se i dem senere.

Begrepet "elektrisk verktøy" i advarslene gjelder ditt elektriske verktøy koblet til strømmettet (med ledning) eller batteridrevet (uten ledning) elektrisk verktøy.

ARBEIDSOMGIVELSER

- **Hold arbeidsområdet rent, ryddig og godt opplyst.** Uryddige og dårlig opplyste områder fører lett til ulykker.
- **Ikke bruk elektrisk verktøy i eksplosive atmosfærer, som der det finnes brennbare væsker, gasser eller støv.** Elektrisk verktøy skaper gnister som kan antenne støv eller gasser.
- **Hold barn og andre på avstand når et elektrisk verktøy brukes.** Distraksjon kan føre til tap av kontroll.

ELEKTRISK SIKKERHET

- **Støpslet på det elektriske verktøyet må stemme med stikkkontakten.** Foreta aldri noen form for endringer av støpslet. Ikke bruk noen form for adapterstøpsel til jordet elektrisk verktøy. Umodifiserte støpsler og passende stikkontakter vil redusere risikoen for elektrisk støt.
- **Unngå kroppskontakt med jordede overflater, som vannrør, radiatorer, kokeapparater og kjøleaggregater.** Det er økt risiko for elektrisk støt dersom kroppen din har kontakt med jord.
- **Ikke utsett produktet for regn eller høy fuktighet.** Vann som trenger inn i et elektrisk verktøy vil øke faren for elektrisk støt.
- **Ikke misbruk den elektriske ledningen.** Bruk aldri ledningen til å bære det elektriske verktøyet eller trekke støpslet ut av stikkkontakten. Hold ledningen vekk fra varme, olje, skarpe kanter eller bevegelige deler. Skadet eller sammenfloknet ledning øker risikoen for elektrisk støt.
- **Når du bruker det elektriske verktøyet utendørs, bruk en skjøteledning som er tilpasset utendørs**

bruk. Bruk av ledning som er tilpasset utendørs bruk reduserer risikoen for elektrisk støt.

- **Dersom bruk av elektrisk verktøy i fuktige omgivelser ikke er til å unngå, bruk en strømkrets med sikring som er tilpasset verktøyet.** Bruk av strømkrets med sikring reduserer risikoen for elektrisk støt.

PERSONLIG SIKKERHET

- **Vær våken, se på hva du gjør og bruk fornuft når du arbeider med et elektrisk verktøy. Ikke bruk elektrisk verktøy når du er sliten eller under påvirkning av narkotiske stoffer, alkohol eller medisiner som kan påvirke din reaksjonsevne og/eller dømmekraft.** Et øyeblikks uoppmerksomhet når elektrisk verktøy brukes kan føre til alvorlige personskade.
 - **Bruk personlig verneutstyr. Bruk alltid øyebeskyttelse.** Verneutstyr som støvmaske, sklisikre vernesko, hjelm eller hørselsvern brukt i passende sammenhenger vil redusere risikoen for personskade.
 - **Unngå utilsiktet start. Sørg for at bryteren er i posisjon OFF før utstyret kobles til strømmettet og / eller batteripakken, plukkes opp eller bæres.** Å bære det elektriske verktøyet med fingeren på startknappen eller koble strøm til et elektrisk verktøy med bryteren i ON inviterer til ulykker.
 - **Fjern justeringsnøkler og annet verktøy før du setter strøm på det elektriske verktøyet.** En fastnøkkel eller annet verktøy festet til en roterende del av et elektrisk verktøy når det startes kan føre til personskade.
 - **Ikke len deg for langt. Sørg for godt fotfeste og god balanse til enhver tid.** Dette gir bedre kontroll over det elektriske verktøyet i en uventet situasjon.
 - **Kle deg riktig. Ikke bruk løst sittende plagg og/eller løst hengende smykker. Hold hår, klær og hansker vekk fra bevegelige deler.** Løse plagg, smykker og langt hår kan fanges opp av bevegelige deler.
 - **Hvis det finnes tilkoblingsmuligheter for oppsagnings- og oppsamlingsutstyr for støv, sørg for at dette blir tilkoblet og brukt på riktig måte.** Bruk av støvoppsamler kan redusere støvrelatert faresituasjoner.
- ### BRUK OG BEHANDLING AV ELEKTRISK VERKTØY
- **Ikke press maskinen. Bruk korrekt elektrisk verktøy for jobben som skal gjøres.** Riktig elektrisk verktøy vil gjøre jobben bedre og tryggere når det brukes slik det var tiltenkt.
 - **Ikke bruk verktøyet hvis bryteren ikke slår verktøyet av og på.** Ethvert elektrisk verktøy som ikke kan kontrolleres med bryteren er farlig og må repareres før det kan brukes.
 - **Trekk støpslet ut av den elektriske kontakten og/eller batteripakken fra det elektriske verktøyet før du foretar endringer, skifter tilbehør eller lagrer det elektriske verktøyet.** Slike forebyggende sikkerhetstiltak reduserer risikoen for utilsiktet start av det elektriske verktøyet.
 - **Oppbevar elektrisk verktøy som ikke brukes utenfor barns rekkevidde og la ikke personer som ikke er kjent med det elektriske verktøyet eller dets**





instruksjoner bruke det. Elektrisk verktøy er farlig i hendene på uerfarne brukere.

- **Vedlikehold av elektrisk verktøy. Kontroller for feilinnretting og at bevegelige deler løper fritt, at det ikke finnes ødelagte deler og enhver annen tilstand som kan påvirke det elektriske verktøyets drift. Hvis skadet må det elektriske verktøyet repareres før bruk.** Mange ulykker skyldes dårlig vedlikeholdt elektrisk verktøy.
- **Hold skjæreredskap skarpe og rene.** Korrekt vedlikeholdt skjæreverktøy med skarpe skjærekanter har mindre mulighet for å blokkere seg og er lettere å kontrollere.
- **Bruk det elektriske verktøyet, tilbehøret, verktøybits etc i henhold til disse instruksjonene, der du tar hensyn til arbeidsforholdene og det arbeidet som skal utføres.** Bruk av elektrisk verktøy på en måte det ikke var tiltenkt kan skape farlige situasjoner.

BATTERIPRODUKTER - BRUK OG STELL

- **Lad bare med ladere som er spesifisert av produsenten.** En lader som passer til en type batteripakke kan skape risiko for brann dersom den brukes til en annen type batteripakke.
- **Bruk patteriprodukter kun med spesielt tiltenkte batteripakker.** Bruk av andre batteripakker kan føre til risiko for skade og brann.
- **Når batteripakken ikke er i bruk, hold den vekk fra metallgjenstander som binders, mynter, nøkler, spiker, skruer og annet som kan forbinde de to terminalene med hverandre.** Kortslutning av batteriterminalene kan føre til brenning eller brann.
- **Dersom batteriet misbrukes kan det slippe ut væske, unngå hudkontakt med væsken. Hvis du får kontakt med væsken fra batteriet, skyl med rikelige mengder vann. Hvis væsken får kontakt med øynene må det søkes medisinsk hjelp.** Væske som kommer ut av batteriet kan føre til irritasjon eller brannskår.

VEDLIKEHOLD

- **Sørg for at reparasjoner og vedlikehold av ditt elektriske verktøy utføres av kvalifiserte teknikere som kun bruker originale erstatningsdeler.** Dette vil sørge for at sikkerheten med det elektriske verktøyet ivaretas.

SIKKERHETSADVARSLER FOR UGRESSPRØYTE

- Ikke spray brennbare væsker, slik som bensin, for å redusere risikoen for brann eller eksplosjon.
- Følg alltid produsentens instruksjoner som står på produktets merkelapp når det gjelder bruk, rengjøring og lagring. Kjemikalier skal oppbevares utilgjengelig for barn.
- Ikke spray et middel der du ikke kjenner farene knyttet til det.
- For å redusere eksponeringen for spraymidler, bruk godkjent verneutstyr, for eksempel en ansiktsmaske mot sprøyting, hansker, og annet nødvendig verneutstyr.

- Ikke bruk brennbare løsemidler eller slipende rengjøringsmidler for å rengjøre produktet.

⚠ ADVARSEL

Hold spraymidler unna øynene. Hvis spraymiddelet kommer i kontakt med øynene, må du skylle umiddelbart med rent vann. Hvis irritasjon fortsatt er tilstede, må du straks oppsøke en lege.

SPESIELLE SIKKERHETSADVARSLER

- Du må aldri la barn, personer med redusert fysisk, sensorisk eller mental kapasitet eller mangel på erfaring og kunnskap eller personer som ikke kjenner disse instruksjonene, bruke produktet.
 - Vær oppmerksom på eventuelle farer som spraymaterialet kan utgjøre. Før du bruker et hvilken som helst plantevernemiddel eller andre spraymidler med produktet, les nøye etiketten på den opprinnelige beholderen og følg instruksjonene.
 - Hold alle tilskuere, barn og kjæledyr unna området under sprøyting.
 - Kontroller at spraystangen er festet godt til sprayhåndtaket før du bruker produktet. Hvis nødvendig, bruk en tang for å feste spraystangen til sprayhåndtaket.
 - Husk å skru på sprøytebeholderens lokk godt etter at du har fylt væske inn i spraybeholderen.
 - Bruk bare forbrukergodkjent vannbasert plen- og hagekjemikalier.
 - Ikke bruk kommersielle kjemikalier eller kjemikalier for kommersielle eller industrielle formål.
 - Ikke bruk etsende (alkali) selvvarmende eller etsende (syre) væsker med produktet. Disse kan føre til korrosjon på metalleder eller forringe tanken og slangen.
 - Ikke la rester eller spraymidler bli igjen i spraybeholderen etter bruk av produktet. Rengjør etter hver bruk.
 - Ikke hell varm eller kokende væske inn i spraybeholderen. Disse kan forringe eller ødelegge slangen eller spraybeholderen.
 - Ikke overfyll beholderen.
 - Kontroller alltid for lekkasjer. Hvis feil blir funnet, skal du rette dem før du bruker produktet.
 - Sprayområde må være godt ventilert.
 - Sjekk alltid både innsiden og utsiden av produktet før hver bruk.
 - Væsker som skal sprayes må være like tynne som vann. Tykkere væsker vil ikke kunne sprayes ordentlig.
 - Spraymidler kan være forhåndsblandet og helles i spraybeholderen ved hjelp av en trakt hvis nødvendig.
- MERK:** Når du bruker noe annet enn målebegeret for måling eller når du bruker en trakt for å fylle tanken, rengjør og skyl disse gjenstandene etter bruk. Når spraymidler forhåndsblendes, skyl beholderen som ble brukt for blanding.
- Ikke spray der gnister, flammer, eller annen tennkilde er tilstede.





EN
FR
DE
ES
IT
NL
PT
DA
SV
FI
NO
RU
PL
CS
HU
RO
LV
LT
ET
HR
SL
SK
BG
UK
TR

- Ikke spray i retning av mennesker eller dyr. Spray alltid med vinden.
- Ikke røyk, spis eller drikk når du bruker produktet.
- Må ikke sprayes direkte mot huden.
- Ikke la spraymidler komme i kontakt med huden. Hvis du kommer i kontakt med middelet, vask umiddelbart med såpe og rikelig med vann.
- Sikt munnstykket direkte på planter eller objekter du har tenkt å spraye.
- Kontroller at spraymidlene er rettet mot et område som ikke vil bli skadet av spraymiddelet.
- Unngå sprøyting på vindfulle dager. Spraymidler kan utilsiktet blåses på planter eller objekter som ikke bør sprøytes.
- Hold spraymidler unna øynene. Hvis spraymiddelet kommer i kontakt med øynene, må du skylle umiddelbart med rent vann. Hvis irritasjon fortsatt er tilstede, må du straks oppsøke en lege.
- Produktet kan brukes med spraystangen i holderen eller den kan fjernes fra holderen og holdes av brukeren.
- Fare for elektrisk støt. Ikke spray mot elektriske uttak.
- Etter hver bruk må hendene og område der huden har blitt eksponert for sprut vaskes godt.
- Vedlikehold produktet. Sjekk nøye både på innsiden og utsiden av produktet og enkeltkomponentene før hver bruk. Kontroller for sprekker og elde på slangene, lekkasjer, tilstoppede dyser og ødelagte eller manglende deler. Ved skade må du få produktet reparert før bruk. Mange ulykker er forårsaket av produkter som er dårlig vedlikeholdt.
- Fjern batteriet fra produktet før tømning, rengjøring, eller lagring for å unngå utilsiktet start.

En indikasjon på at maskineriet kan være underlagt nasjonale krav for regelmessig inspeksjon av tilordnede organer, slik som angitt i direktiv 2009/128/EU fra Europaparlamentet og Rådet av den 21. oktober 2009, som etablerer et rammeverk for samfunnstiltak for å oppnå bærekraftig bruk av pesticider.

BLANDE SPRØYTELØSNINGEN

ADVARSEL

Bland kjemikaliene strengt i henhold til produsentens anvisninger. Feil blandinger kan gi giftige gasser eller eksplosive løsninger.

- Sprøyt aldri med flytende plantekontrollkjemikalier som er uforynnnet.
- Klargjør løsningen og fyll beholderen utendørs eller kun i godt ventilerte omgivelser.
- Klargjør kun tilstrekkelig løsning for jobben som skal utføres, slik at det ikke finnes noe til overs.
- Ikke bland ulike kjemikalier med mindre slik blanding er godt kjent av produsenten.

FYLLE BEHOLDEREN.

- Sett sprøytemaskinen på jevnt underlag, ikke fyll beholderen over maksimum-merket.

- Ved fylling fra sentral vannforsyning, ikke stikk enden av slangen ned i løsningen. Plutselig lavt trykk i systemet kan føre til at løsningen suges tilbake inn i vannforsyningen.
- Før gylling av beholderen med sprøyteløsning, utfør en testkjøring med ferskvann, og kontroller alle deler av sprøytemaskinen for lekkasjer.
- Eller tylling, sett på påfyllingslokket og stram det fast nedover.
- Heng en merkelapp på produktet for å merke hvilken kjemikalie som brukes.

BRUKSOMRÅDE

- Arbeid kun på åpne eller i godt ventilert steder, f.eks. åpne drivhus.
- Blås aldri gjennom dyser eller andre komponenter med munnen.
- Unngå kontakt med plantekontrollkjemikalier, skift umiddelbart klær som er kontaminert med plantekontrollkjemikalier.
- Spray ikke med vind i omgivelsene.
- For høyt eller for lavt trykk eller ufordelsaktige værforhold kan føre til feil løsningskonsentrasjon. Overdosering kan skade planter og miljø. Underdosering kan føre til mislykket plantebehandling.
- For å redusere risikoen for skade på miljø og planter, ikke bruk sprøytemaskinen:
 - med for høyt eller lavt trykk
 - under forhold med vind
 - i direkte sollys
- For å redusere risikoen for ulykker og skade på sprøytemaskinen skal sprøytemaskinen aldri brukes med:
 - antennelige væsker
 - viskøse eller klebende væsker
 - kaustiske eller korrosive kjemikalier
 - væsker som er varmere enn 50 °C
- Unngå bruk av produktet hvis det er veldig kaldt ute, siden løsningen kan fryse.

TRANSPORT OG LAGRING

- Fjern batteripakken.
- Kontroller at alle delene er rene og tørre.
- Fjern alle fremmedelementer fra produktet.
- Tøm alle sprøytematerialer fra sprøytetanken før lagring og transport.
- Kontroller alle deler av produktet for lekkasjer etter hver bruk. Returner produktet til et autorisert servicesenter for reparasjon, hvis det har et slikt.
- Spraystangen kan oppbevares i holderen.
- Ved transport må produktet sikres mot å komme i bevegelse eller falle for å unngå skade på personer eller produktet.
- Lagres på et kjølig, tørt og godt ventilert sted som er utilgjengelig for barn. Hold den borte fra korrosive materialer, så som ugressmidler og veisalt. Ikke oppbevar utendørs.



VEDLIKEHOLD

Unngå bruk av løsemidler når du rengjør plastdelene. De fleste plastikkstoffene vil bli skadet dersom forskjellige tilgjengelige løsemiddel brukes på gressklipperen. Bruk rene kluter til å fjerne skitt, støv, olje og fett, etc.

⚠ FORSIKTIGHETSREGEL

Ikke på noe tidspunkt må du la bremsesvæske, bensin, petroleumsbaserte produkter, rustopløsende oljer og lignende komme i kontakt med plastdelene. Kjemiske stoffer kan skade, svekke eller ødelegge plastikk som da kan føre til alvorlige personskader.

⚠ ADVARSEL

Bruk kun produsentens originale reservedeler, tilleggsutstyr og påsatser. Dersom dette ikke følges, kan det forårsake personskader, dårlig funksjon og kan annullere garantien din.

⚠ ADVARSEL

Service krever meget stor forsiktighet og kunnskap og bør utføres kun av kvalifisert teknisk personale. Vi anbefaler at man sender verktøyet tilbake til nærmeste autoriserte servicecenter for reparasjon. Når service utføres skal kun identiske reservedeler brukes.

⚠ ADVARSEL

For å unngå alvorlige personskader, må du alltid ta batteripakken ut av produktet ved rengjøring eller når du utfører vedlikehold.

- Du kan bare foreta justeringer og reparasjoner som er beskrevet i denne brukermanualen. For andre reparasjoner, ta kontakt med et autorisert serviceverksted.
- Etter hver bruk rengjøres produktet som beskrevet i denne brukermanualen.
- Hell ut og tøm sprøytebeholderen før rengjøring.
- Hell ut spraymiddelet gjennom fyllområde.

MERK: Tøm spraymiddelet helt fra spraytanken og over i en beholder som er godkjent for kjemikalier. Ikke oppbevar kjemikalier i spraybeholderen.

- Bruk rent vann til å rengjøre og skylle spraybeholderen. En liten mengde med mildt vaskemiddel kan tilsettes.
- Tørk av produktet med en ren, tørr klut.
- Det kan være nødvendig å skylle sprøytebeholderen mer enn én gang.

AVHENDING

Bortskaff aldri restkjemikalier eller kontaminerte skylleløsninger i vannsystemer, avløp, kloakk, gategrøfter eller gjennom kumlokk.

Bortskaff resterende kjemikalier og brukte beholdere i samsvar med lokale avfallshåndteringsforskrifter.

GJENVÆRENDE RISIKO

Selv om utstyret brukes som beskrevet er det ikke mulig å unngå enhver gjenværende risiko. Følgende faresituasjoner kan oppstå ved bruk, og operatøren må legge spesielt vekt på å unngå følgende:

- Elektrisk støt. Du må aldri spraye væsker mot elektriske kontakter, kabler eller apparater.
- Kontakt med farlige midler. Spraymidler kan være skadelig hvis de inhaleres, svelges eller kommer i kontakt med hud eller øyne. Følg instruksjonene nøye og bruk nødvendig verneutstyr som beskrevet i denne håndboken.

⚠ ADVARSEL

Hvis man bruker verktøyet for lenge av gangen, kan det føre til eller forverre allerede eksisterende personskade. Når du bruker et verktøy over en lenger tidsperiode, husk å ta regelmessige pauser.

KJENN PRODUKTET DITT

Se side 135.

DELER

1. Deksel til sprayflaskens beholder/målebeger
2. Sprayhåndtak
3. Av/på knappen
4. Utløs med lås på
5. Kobling til batteriet
6. Spraystang
7. Dyse
8. Slange
9. Motorhuset
10. Beholder
11. Lås (x2)
12. Batteri
13. Lader

SYMBOLER PÅ PRODUKTET



Sikkerhetsalarm



Les og forstå alle instruksjoner før du tar i bruk produktet, følg alle advarsler og sikkerhetsanvisninger.



Bruk øyebeskyttelse



Bruk en maske.



Bruk sklisikre væskerresistente hansker.



Anvend glisikkert føttøy ved bruk av dette produktet.



Ikke utsette for regn eller fuktige forhold.



Dette verktøyet overholder samtlige standarder i det EU-landet det er kjøpt i.



EurAsian Konformitetstegn



Ukrainsk merke for konformitet



Avfall fra elektriske produkter skal ikke kastes sammen med husholdningsavfall. Vennligst resirkulere ved eksisterende avfallsbehandlingssted. Undersøk hos dine lokale myndigheter eller forhandler for råd om resirkulering.



Deler eller tilbehør solgt separat



Nb



Advarsel

Følgende signalord og meninger har til hensikt å forklare graden av risiko forbundet med bruken av dette produktet.



Indikerer en øyeblikkelig farlig situasjon, som, hvis ikke unngås, kan resultere i død eller alvorlig personskade.



Indikerer en potensiell farlig situasjon, som, hvis ikke unngås, kan resultere i død eller alvorlig personskade.



Indikerer en potensiell farlig situasjon, som, hvis ikke unngås, kan resultere i mindre eller moderat personskade.



(Uten sikkerhetsvarselsymbol) Indikerer en situasjon som kan føre til skade på eiendom.

SYMBOLER I DENNE MANUALEN



Stopp produktet.



Lås



Låse opp



При разработке этого беспроводного опрыскивателя особое внимание уделялось безопасности, производительности и надежности.

НАЗНАЧЕНИЕ

Опрыскиватель предназначен для использования на открытом воздухе в хорошо проветриваемой зоне.

Изделие предназначено для опрыскивания химическими веществами для дома и сада, такими как инсектициды, фунгициды, гербициды и удобрения. Изделие также может использоваться для полива растений.

Используйте инструмент только в вышеперечисленных целях. К использованию устройством не должны допускаться дети или лица без соответствующих средств защиты и одежды.

ОБЩИЕ ПРАВИЛА БЕЗОПАСНОСТИ

⚠ ОСТОРОЖНО

Прочтите все предупреждения и инструкции по технике безопасности. Несоблюдение приводимых ниже предупреждений и инструкций может привести к поражению электрическим током, возгоранию или тяжким телесным повреждениям.

Сохраните все предупреждения и инструкции по технике безопасности для последующего использования.

Термин "электроинструмент" в данном описании относится к инструментам с питанием от сети (проводные) и от аккумуляторных батарей (беспроводные).

БЕЗОПАСНОСТЬ НА РАБОЧЕМ МЕСТЕ

- Рабочая зона должна быть свободна и хорошо освещена. Загромождение или плохое освещение рабочей зоны может привести к несчастным случаям.
- Не используйте электроинструмент во взрывоопасной среде, например в присутствии легковоспламеняющихся жидкостей, газов или пыли. В электроинструментах происходит искрообразование, что может привести к воспламенению пыли или газа.
- Не допускайте присутствия детей и посторонних лиц при работе с инструментом. Невнимательность может привести к утрате контроля.

ЭЛЕКТРОБЕЗОПАСНОСТЬ

- Вилка кабеля питания инструмента должна соответствовать используемой розетке. Не подвергайте вилку кабеля каким-либо изменениям. Не используйте какие-либо переходники с электроинструментами с заземляющим проводом. Использование оригинальных штепсельных вилок и соответствующих розеток предотвращает опасность поражения электрическим током.

- Не допускайте контакта частей тела с поверхностями заземленных предметов, таких как трубы, радиаторы отопления, кухонные плиты, холодильники. При соприкосновении частей тела человека с заземленными участками возрастает опасность поражения электрическим током.
- Не допускайте попадания влаги на изделие и не используйте его во влажной атмосфере. Попавшая внутрь инструмента вода повышает опасность поражения электрическим током.
- Обращайтесь с кабелем питания надлежащим образом. Не используйте кабель для переноски, перемещения или отключения инструмента от сети питания. Оберегайте кабель от источников тепла, масляных и острых предметов и движущихся деталей. Поврежденные или запутанные провода повышают опасность поражения электрическим током.
- При работе с электроинструментом вне помещений пользуйтесь удлинительным кабелем, предназначенным для наружного применения. Использование кабеля, предназначенного для наружного применения, снижает опасность поражения электрическим током.
- Если нет возможности избежать работы в условиях повышенной влажности, подключайте инструмент через устройство защитного отключения. При использовании устройства защитного отключения снижается опасность поражения электрическим током.

ЛИЧНАЯ БЕЗОПАСНОСТЬ

- Соблюдайте осторожность, следите за своими действиями и пользуйтесь здравым смыслом при работе с электроинструментом. Не пользуйтесь инструментом в состоянии усталости или под воздействием наркотических средств, алкоголя или медицинских препаратов. Малейшая невнимательность при работе с инструментом может привести к тяжкому телесному повреждению.
- Используйте средства индивидуальной защиты. Всегда надевайте средства защиты зрения. Средства защиты, такие как пылезащитная маска, нескользящая защитная обувь, шлем-каска, средства защита органов слуха, используемые надлежащим образом, снижают опасность телесного повреждения.
- Не допускайте случайного запуска. Перед подключением к источнику питания или установкой аккумуляторной батареи, подъемом или перемещением инструмента убедитесь, что переключатель находится в положении «выключено». Во избежание несчастных случаев при перемещении инструмента не держите пальцы на переключателе инструмента и не подключайте его к источнику питания при включенном положении переключателя.
- Перед включением инструмента уберите все





регулируемые и гаечные ключи. Гаечные или регулировочные ключи, оставленные на вращающихся частях инструмента, могут привести к телесному повреждению.

- Не перенапрягать. Старайтесь сохранять устойчивость и подыскивайте твердую опору. Это обеспечивает лучшую управляемость электроинструментом в непредвиденных ситуациях.
- Одевайтесь соответствующим образом. Не надевайте свободную одежду и украшения. Не допускайте попадания волос, одежды и перчаток в движущиеся части. Свободная одежда, украшения и длинные волосы могут попасть в движущиеся части.
- Если в инструменте предусмотрено использование устройства удаления и сбора пыли, обеспечьте их надежное крепление и надлежащее использование. Использование пылесборника снижает опасность, связанную с пылеобразованием.

ИСПОЛЬЗОВАНИЕ И ОБРАЩЕНИЕ С ИНСТРУМЕНТОМ

- Не прикладывайте чрезмерных усилий при работе с данным инструментом. В каждом случае используйте надлежащий электроинструмент. Правильно выбранный электроинструмент позволяет выполнить работу, для которой он предназначен, более качественно и более безопасно.
- Не пользуйтесь инструментом, если выключатель не включается или не выключается. Любой электроинструмент, не управляемый выключателем, представляет опасность и должен быть отремонтирован.
- Перед выполнением каких-либо регулировок, заменой приспособлений или хранением инструмента отключите вилку кабеля источника питания и/или аккумуляторной батареи от электроинструмента. Такие меры предосторожности помогут предотвратить опасность случайного пуска инструмента.
- Храните неиспользуемые электроинструменты в месте, недоступном для детей, а также не допускайте к использованию данного инструмента лиц, не знакомых с его работой или не ознакомленных с данными инструкциями. Инструмент в руках неподготовленного лица представляет опасность.
- Бережно обращайтесь с инструментом. Проверяйте инструмент на отсутствие перекосов или заклинивания движущихся частей, их неисправности или других причин, которые могут отразиться на работе инструмента. При повреждении инструмента перед его дальнейшим использованием его следует отремонтировать. Многие несчастные случаи вызваны ненадлежащим обращением с инструментом.
- Содержите режущее устройство в чистоте и заточенном виде. При надлежащем техническом

обслуживании режущего инструмента снижается вероятность застревания режущих частей и облегчается управляемость.

- Используйте инструмент, принадлежности, насадки и т.п. в соответствии с данными указаниями, и принимая во внимание условия работы и выполняемую работу. Использование данного электроинструмента не по назначению может создать опасную ситуацию.

ЭКСПЛУАТАЦИЯ УСТРОЙСТВА С АККУМУЛЯТОРНЫМ ПИТАНИЕМ И УХОД ЗА НИМ

- Зарядку выполняйте только с использованием зарядного устройства, указанного изготовителем. Зарядное устройство, подходящее к одному типу аккумуляторных батарей, может создать опасность возгорания при использовании с аккумуляторными батареями другого типа.
- Используйте электрические устройства только со специально предназначенными для них аккумуляторными батареями. Использование аккумуляторных батарей другого типа может привести к телесным повреждениям или возгоранию.
- Если аккумуляторная батарея не используется, храните ее отдельно от других металлических предметов, например канцелярских скрепок, монет, ключей, гвоздей, винтов и других мелких металлических предметов, которые могут привести к замыканию контактов батареи. Замыкание контактов батареи может вызвать ожоги или привести к возгоранию.
- При ненормальных условиях из батареи может вытечь жидкость, избегайте контакта с ней. Если этого избежать не удалось, смойте жидкость водой. Если жидкость попала в глаза, после их промывания обратитесь за медицинской помощью. Жидкость, вытекшая из батареи, может вызвать раздражение или ожог.

ОБСЛУЖИВАНИЕ

- Техническое обслуживание и ремонт инструмента должно выполняться только квалифицированным специалистом с использованием взаимозаменяемых запасных частей. Это обеспечит нормальное техническое состояние устройства.

ПРЕДОСТЕРЕЖЕНИЯ ОТНОСИТЕЛЬНО БЕЗОПАСНОГО ПОЛЬЗОВАНИЯ РАСПЫЛИТЕЛЕМ

- Не распыляйте легковоспламеняющиеся жидкости, такие как бензин, во избежание пожара или взрыва.
- При использовании и хранении химикатов строго соблюдайте инструкции производителя, указанные на их упаковке. Храните химикаты в недоступном для детей месте.
- Не распыляйте вещество, опасные свойства которого неизвестны.
- Для защиты от брызг распыляемых веществ носите надежные защитные средства, такие как маска,



пригодная для работы с опрыскивателем, перчатки и прочую защитную экипировку.

- Не используйте легковоспламеняющиеся растворители или абразивные вещества для очистки изделия.

⚠ ОСТОРОЖНО

Держите распыляемые вещества подальше от глаз. В случае попадания распыляемых веществ в глаза немедленно промойте их чистой водой. Если раздражение сохраняется, немедленно обратитесь за медицинской помощью.

ДОПОЛНИТЕЛЬНЫЕ УКАЗАНИЯ ПО БЕЗОПАСНОСТИ

- Никогда не позволяйте детям или людям с ограниченными физическими, сенсорными или умственными способностями, а также людям, незнакомым с этими инструкциями, использовать это устройство.
- Узнайте, какую опасность несут в себе распыляемые вещества. Перед использованием каких-либо пестицидов или других распыляемых веществ с использованием данного изделия внимательно читайте инструкции на упаковке и соблюдайте их.
- Следите за тем, чтобы в зоны распыления не было посторонних лиц, детей и домашних животных.
- Следите за тем, чтобы штанга была надежно присоединена к ручке перед использованием изделия. При необходимости используйте плоскогубцы, чтобы прикрепить штангу к ручке.
- Надлежащим образом установите и затяните крышку емкости опрыскивателя после наливания жидкости в емкость.
- Используйте только химикаты на водной основе, предназначенные для газона и сада.
- Не используйте технические химикаты или химикаты, предназначенные для коммерческих или промышленных целей.
- Не распыляйте с помощью опрыскивателя едкие самонагревающееся (щелочи) или агрессивные (кислоты) жидкости. Они могут вызвать коррозию металлических деталей или ослабить прочность емкости и шланга.
- Не оставляйте осадка или распыляемой жидкости в емкости опрыскивателя после использования изделия. Очищайте после каждого использования.
- Не наливайте горячие или кипящие жидкости в емкость опрыскивателя. Они могут привести к течи или ослабить прочность емкости и шланга.
- Не переполняйте емкость.
- Всегда выполняйте проверку на наличие утечек. В случае их обнаружения исправьте их перед использованием изделия.
- Зона распыления должна хорошо проветриваться.
- Перед каждым использованием обязательно проверяйте внутреннюю и внешнюю стороны изделия.

- Распыляемые жидкости должны быть такими же текучими, как вода. Опрыскиватель не предназначен для распыления вязкой жидкости.
- При необходимости распыляемые материалы можно смешать заранее и залить в емкость опрыскивателя с помощью воронки.

ПРИМЕЧАНИЕ: При использовании измерительного контейнера, отличного от мерного стакана, или при использовании воронки для заливки в емкость тщательно очистите и промойте их после использования. Перед смешиванием распыляемых веществ ополосните емкость, в которой будет производиться смешивание.

- Не распыляйте в тех местах, где присутствуют искры, пламя или иные источники воспламенения.
- Не распыляйте в направлении людей или животных. Опрыскивать нужно только по ветру.
- Не курите, не принимайте пищу или напитки во время использования изделия.
- Не распыляйте жидкость прямо на кожу.
- Не допускайте попадания распыляемых веществ на кожу. В случае попадания на кожу немедленно промойте этот участок водой с мылом.
- Направляйте форсунку непосредственно на растения или объекты, которые необходимо опрыскать.
- Следите за тем, чтобы распыляемые вещества направлялись туда, где они не могут нанести вреда.
- Не занимайтесь опрыскиванием, когда дует сильный ветер. Распыляемые вещества могут случайно попасть на растения или объекты, попадание на которые нежелательно.
- Держите распыляемые вещества подальше от глаз. В случае попадания распыляемых веществ в глаза немедленно промойте их чистой водой. Если раздражение сохраняется, немедленно обратитесь за медицинской помощью.
- Во время эксплуатации изделия штанга может лежать в гнезде, или оператор может держать ее в руках.
- Опасность поражения электрическим током. Не распыляйте в направлении электрических розеток.
- После каждого использования тщательно вымойте руки и те места, где распыляемое вещество попало на кожу.
- Выполняйте техобслуживание изделия. Перед каждым использованием обязательно проверяйте внутреннюю и внешнюю стороны изделия и его компоненты. Проверьте, нет ли треснувших и изношенных шлангов, утечек, забитых форсунок, отсутствующих или поврежденных деталей. Если в изделии есть неполадки, устраните их перед его использованием. Причиной многих несчастных случаев явилось некачественное техобслуживание изделий.
- Извлекайте батарею из изделия перед сливом жидкости, чистой или постановкой на хранение во избежание случайного включения.



Знак того, что в соответствии с национальными нормативами оборудование может подлежать регулярной инспекции со стороны ответственных органов, как предусмотрено в директиве 2009/128/ЕС Европейского парламента и Совета от 21 октября 2009 года, формирующей механизм для совместных действий по регулированию использования пестицидов.

РАЗВЕДЕНИЕ РАСТВОРА ДЛЯ ОПРЫСКИВАНИЯ

▲ ОСТОРОЖНО

Смешивать химические вещества следует в строгом соответствии с инструкциями производителя. Неправильный состав может выделять токсичные пары или взрывоопасные соединения.

- Запрещается распылять химические вещества для контроля растений в неразбавленном виде.
- Действия по подготовке раствора и наполнению контейнеров должны осуществляться вне помещения или в хорошо вентилируемых зонах.
- Следует готовить достаточное количество раствора без излишков.
- Запрещается смешивать различные химические вещества за исключением случаев, когда данная смесь одобрена производителем.

НАПОЛНЕНИЕ КОНТЕЙНЕРА

- Установите распылитель на ровной поверхности, не заполняйте контейнер выше максимальной отметки.
- При использовании системы центрального водоснабжения запрещается опускать шланг в раствор. Падение давления в системе может стать причиной всасывания раствора в систему водоснабжения.
- Перед тем, как заполнить контейнер раствором для опрыскивания, проведите испытание с использованием чистой воды и убедитесь в отсутствии утечек во всех элементах распылителя.
- После заполнения, установите и затяните крышку заливной горловины.
- Разместите на изделии ярлык с указанием используемых химикатов.

РАБОТЫ

- Работы должны выполняться только в хорошо вентилируемых зонах, например, в открытых теплицах.
- Запрещается продувать насадки и другие детали ртом.
- Избегайте контакта с химическими веществами для контроля растений; в случае попадания химикатов на одежду незамедлительно смените ее.
- Запрещается выполнять опрыскивания в ветреную погоду.
- Чрезмерное или недостаточное давление, неблагоприятные погодные условия могут стать причиной распыления ненадлежащей концентрации

раствора. Превышение дозировки может нанести вред растениям и окружающей среде. Слишком малая дозировка может быть недостаточной для эффективной обработки растений.

- Для того, чтобы снизить опасность для окружающей среды и растений, не используйте распылитель:
 - если давление слишком высокое или слишком низкое
 - в ветреную погоду
 - под воздействием прямых солнечных лучей
- Для того, чтобы уменьшить риск несчастных случаев и повреждения распылителя, не используйте распылитель с:
 - воспламеняемыми жидкостями
 - вязкими или клейкими жидкостями
 - едкими или коррозионными химикатами
 - жидкостями с температурой выше 50°C
- Использование изделия в морозную погоду не допускается вследствие вероятности замерзания раствора.

ТРАНСПОРТИРОВКА И ХРАНЕНИЕ

- Снимите аккумуляторную батарею.
- Следите за тем, чтобы все детали были чистыми и сухими.
- Очистите устройство от всех посторонних материалов.
- Перед транспортировкой или размещением распылителя на хранение слейте все вещества.
- После каждого использования осматривайте все детали изделия на предмет утечек. При их обнаружении возвратите изделие в авторизованный сервисный центр.
- Штангу можно держать в гнезде.
- Для транспортировки закрепите изделие так, чтобы оно не могло перемещаться или упасть во избежание травмирования персонала или повреждения изделия.
- Храните его в прохладном, сухом, хорошо проветриваемом и недоступном для детей месте. Не держите бензопилу рядом с коррозионными веществами, такими как садовые химикаты или размораживающая соль. Не храните на открытом воздухе.

ТЕХНИЧЕСКОЕ ОБСЛУЖИВАНИЕ

При очистке пластмассовых деталей не допускается использовать растворители. Большинство пластмасс восприимчиво, чтобы повредиться от различных типов коммерческих растворителей и может быть повреждено их использованием. Для очистки от грязи, пыли, масла, смазки и т.п. используйте протирочную тряпку.



ПРЕДОСТЕРЕЖЕНИЕ

Не допускайте взаимодействия тормозных жидкостей, бензина, нефтепродуктов, пропиточных масел и т.п. с пластмассовыми деталями. Химические реагенты могут повредить, ослабить или разрушить пластмассовые детали, что может привести к тяжелым физическим травмам.

ОСТОРОЖНО

Используйте только оригинальные запчасти, аксессуары и насадки от производителя. Невыполнение этого требования может привести к травме, к снижению производительности и к аннулированию гарантии.

ОСТОРОЖНО

Обслуживание требует чрезвычайной заботы и знания и должно быть выполнено только квалифицированным техником обслуживания. Для обслуживания мы предлагаем, чтобы вы возвратили изделие вашему самому близкому уполномоченному центру обслуживания для ремонта. При обслуживании использовать только идентичные сменные части.

ОСТОРОЖНО

Во избежание серьезных травм всегда извлекайте батарею перед очисткой изделия или выполнением каких-либо работ по его обслуживанию.

- Вы можете выполнять работы по регулировке и обслуживанию, которые описаны в данном руководстве. По вопросу ремонта обращайтесь в авторизованный сервисный центр.
- После каждого использования очищайте изделие в соответствии инструкциями данного руководства.
- Перед очисткой убедитесь, что емкость опрыскивателя пуста.
- Сливайте вещества, предназначенные для распыления, через заливное отверстие.

ПРИМЕЧАНИЕ: Сливайте все вещества для опрыскивания из емкости в контейнер, пригодный для хранения химикатов. Не храните химикаты в емкости опрыскивателя.

- Используйте чистую воду, чтобы очистить и промыть емкость опрыскивателя. Можно добавить небольшое количество мягкого бытового моющего средства.
- Протрите изделие чистой сухой тканью.
- Возможно, понадобится промыть емкость опрыскивателя более одного раза.

УТИЛИЗАЦИЯ

Запрещается сбрасывать остатки химикатов или использованных растворов для промывки в водоемы, водостоки, канализации, ливнеотоки или колодцы.

Утилизация остатков химикатов и использованных

контейнеров должна осуществляться в соответствии с местным законодательством.

БУДЬТЕ ВСЕГДА ОСТОРОЖНЫ

Даже когда изделие используют согласно инструкциям, невозможно полностью устранить факторы риска. При эксплуатации могут возникнуть следующие ситуации, которым пользователь должен уделять особое внимание, чтобы избежать проблем:

- Поражение электрическим током. Никогда не распыляйте жидкость в сторону электрических розеток, кабелей или приборов.
- Контакт с опасными веществами. Распыляемые материалы могут быть вредны при вдыхании, попадании внутрь, на кожу или в глаза. Строго соблюдайте инструкции и носите соответствующее защитное оборудование, как указано в данном руководстве.

ОСТОРОЖНО

Слишком продолжительное использование инструмента может привести к травме. При использовании инструмента в течение длительного времени делайте регулярные перерывы.

ИЗУЧИТЕ УСТРОЙСТВО

См. стр. 135.

ДЕТАЛИ

1. Крышка емкости опрыскивателя/мерный стакан
2. Ручка
3. Кнопка Вкл./Выкл
4. Кнопка запуска с блокировкой
5. Отделение для аккумулятора
6. Штанга
7. Насадка
8. Шланг
9. Корпус двигателя
10. Емкость
11. Защелка (x2)
12. Аккумулятор
13. Зарядное устройство

УСЛОВНЫЕ ОБОЗНАЧЕНИЯ НА ПРОДУКТЕ



Внимание



Внимательно прочитайте все инструкции перед началом работы с продуктом, соблюдайте все предупреждения и инструкции по безопасности.



Используйте средства защиты органов зрения



Носите маску.



Носите нескользкие, непромокаемые перчатки.



При работе с данным изделием надевайте нескользящую защитную обувь.



Не подвергайте инструмент воздействию дождя и не используйте в условиях повышенной влажности.



Настоящий инструмент отвечает всем официальным стандартам страны ЕС, в которой он был приобретен.



Знак Евразийского Соответствия
Сертификат Соответствия
№ TC RU C-DE.PC52.B.00812
Срок действия Сертификата
Соответствия По 04.12.2021
ООО «Региональный центр оценки
соответствия»
123060 г. Москва ул. Маршала
Рыбалко
дом 2 корпус 9 помещение 638



Украинский знак стандартизации



Отработанная электротехническая продукция должна уничтожаться вместе с бытовыми отходами. Утилизируйте, если имеется специальное техническое оборудование. По вопросам утилизации проконсультируйтесь с местным органом власти или предприятием розничной торговли.

Следующие сигнальные слова и значения предназначены для того, чтобы объяснить уровень риска, связанного с этим изделием:

 ОПАСНО

Указывает неизбежно опасную ситуацию, которая, если не избежать, кончится смертельным или серьезным ущербом.

 ОСТОРОЖНО

Указывает потенциально опасную ситуацию, которая, если не избежать, может кончиться смертельным или серьезным ущербом.

 ПРЕДОСТЕРЕЖЕНИЕ

Указывает потенциально опасную ситуацию, которая, если не избежать, может кончаться малым или уменьшенным ущербом.

ПРЕДОСТЕРЕЖЕНИЕ

(Употребляется без предупреждающего знака) Указывает на ситуацию, которая может привести к повреждению имущества.

УСЛОВНЫЕ ОБОЗНАЧЕНИЯ В ДАННОМ РУКОВОДСТВЕ.



Остановите устройство.



Сцепить



Расцепить



Детали или принадлежности, приобретаемые отдельно



Примечание



Осторожно

Транспортировка:

Категорически не допускается падение и любые механические воздействия на упаковку при транспортировке.

При разгрузке/погрузке не допускается использование любого вида техники, работающей по принципу зажима упаковки.

Хранение:

Необходимо хранить в сухом месте.

Необходимо хранить вдали от источников повышенных температур и воздействия солнечных лучей.

При хранении необходимо избегать резкого перепада температур.

Хранение без упаковки не допускается.

Срок службы изделия:

Срок службы изделия составляет 5 лет.

Не рекомендуется к эксплуатации по истечении 5 лет хранения с даты изготовления без предварительной проверки.

Дата изготовления (код даты) отштампован на поверхности корпуса изделия.

Пример:

W17 Y2015, где Y2015 - год изготовления

W17 – неделя изготовления

Определить месяц изготовления можно согласно приведенной ниже таблице, на примере 2015 года.

Обратите внимание! Количество недель в месяце различается от года в год.

Месяц	Январь	Февраль	Март	Апрель	Май	Июнь	Июль	Август	Сентябрь	Октябрь	Ноябрь	Декабрь	Год
Неделя	01	05	09	14	18	22	27	31	36	40	44	49	2015
	02	06	10	15	19	23	28	32	37	41	45	50	
	03	07	11	16	20	24	29	33	38	42	46	51	
	04	08	12	17	21	25	30	34	39	43	47	52	
	05	09	13	18	22	26	31	35	40	44	48	53	
			14			27							



W przypadku tego bezprzewodowego opryskiwacza zwrócono szczególną uwagę na zapewnienie bezpieczeństwa, wysokiej wydajności oraz niezawodności.

PRZEZNACZENIE

Opryskiwacz jest przeznaczony do użytku na zewnątrz pomieszczeń w dobrze wentylowanym miejscu.

Produkt jest przeznaczony do rozpylania domowych i ogrodowych środków chemicznych klasy konsumenckiej, takich jak insektycydy, fungicydy, herbicydy oraz nawozy. Produkt może być również używany do podlewania roślin. Nie wolno używać produktu do jakiegokolwiek celu, który nie jest wyszczególniony powyżej. Produkt nie może być używany przez dzieci lub osoby, które nie noszą odpowiednich środków ochrony osobistej oraz odzieży ochronnej.

OGÓLNE OSTRZEŻENIA DOTYCZĄCE BEZPIECZEŃSTWA

⚠ OSTRZEŻENIE

Zapoznaj się ze wszystkimi zasadami bezpieczeństwa i instrukcjami. Niezastosowanie się do ostrzeżeń i instrukcji może spowodować porażenie prądem, pożar oraz/lub poważne obrażenia ciała.

Zachowajcie te ostrzeżenia i zalecenia, aby móc się do nich odnieść w późniejszym czasie.

Termin "elektronarzędzia" stosowany w przedstawionych tu zasadach bezpieczeństwa odnosi się zarówno do urządzeń zasilanych z sieci energetycznej (przewodowych) jak i urządzeń zasilanych z akumulatora (beziprzewodowych).

OTOCZENIE ROBOCZE

- **Miejsce pracy musi być utrzymywane w czystości i dobrze oświetlone.** Obszary zaśmiecone lub niewystarczająco oświetlone mogą być przyczyną wypadku.
- **Nie wolno uruchamiać urządzeń elektrycznych w miejscach, gdzie grozi to wybuchem, na przykład w pobliżu łatwopalnych cieczy, gazów lub pyłów.** Urządzenia elektryczne mogą wytwarzać iskry, które mogą być przyczyną zaplonu pyłów lub oparów.
- **Podczas używania narzędzi elektrycznych należy utrzymywać osoby postronne i dzieci z dala od miejsca pracy.** Odwrócenie uwagi operatora może spowodować utratę kontroli nad urządzeniem.

ZASADY BEZPIECZEŃSTWA DOTYCZĄCE OBSŁUGI URZĄDZEŃ ELEKTRYCZNYCH

- **Wtyczki zasilania elektronarzędzi muszą pasować do gniazd sieciowych.** Nie wolno modyfikować wtyczek w żaden sposób. Nie wolno używać żadnych przedściówek do podłączania urządzeń posiadających przewód zasilania z uziemieniem. Stosowanie oryginalnych wtyczek i dopasowanych gniazd sieciowych zmniejsza ryzyko porażenia prądem.
- **Unikać kontaktu ciała z powierzchniami uziemionymi lub podłączonymi do bieguna zerowego, np. rury, instalacje grzewcze i chłodnicze.** Kontakt ciała z

masą lub uziemieniem zwiększa ryzyko porażenia prądem.

- **Nie narażać tego produktu na działanie deszczu lub wody.** Przedostanie się wody do wnętrza elektronarzędzia zwiększa ryzyko porażenia prądem.
- **Nie uszkodzić przewodu zasilania. Nie wolno używać przewodu zasilania do przenoszenia, ciągnięcia urządzenia lub jego odłączania z gniazda sieciowego. Przewody elektryczne trzymać z dala od źródeł ciepła, oleju, ostrych krawędzi lub ruchomych elementów.** Uszkodzony lub zaplątany przewód elektryczny zwiększa ryzyko porażenia prądem.
- **W przypadku używania urządzenia na zewnątrz, ewentualne przedłużacze muszą być do tego przystosowane.** Zastosowanie przedłużacza przystosowanego do warunków zewnętrznych zmniejsza ryzyko porażenia prądem.
- **Jeśli nie można uniknąć użytkowania urządzenia elektrycznego w warunkach wilgotnych, należy je zasilac z obwodu zabezpieczonego wyłącznikiem różnicowo-prądowym (RCD).** Zastosowanie takiego wyłącznika pozwala zmniejszyć ryzyko porażenia prądem elektrycznym.

BEZPIECZEŃSTWO OSOBISTE

- **Zachowywać skupienie, uważnie obserwować wykonywane czynności, stosować zasady zdrowego rozsądku podczas obsługi urządzenia.** Nie używać urządzeń elektrycznych w stanie zmęczenia lub będąc pod wpływem leków, alkoholu lub środków odurzających. Moment nieuwagi podczas obsługi elektronarzędzia może być przyczyną poważnego zranienia.
- **Stosować środki ochrony osobistej. Zawsze nosić okulary ochronne.** Stosowanie takich środków ochrony osobistej jak maska przeciwpyłowa, obuwie antypoślizgowe, twarde nakrycie głowy, nauszniki pozwoli zmniejszyć ryzyko zranienia.
- **Unikać możliwości przypadkowego uruchomienia urządzenia.** Przed podłączeniem do zasilania/założeniem akumulatora lub w celu jego podniesienia lub przeniesienia należy upewnić się, że wyłącznik zasilania znajduje się w położeniu wyłączonym. Przenoszenie elektronarzędzia z palcem na wyłączniku lub podłączenie zasilania do urządzenia, w którym wyłącznik znajduje się w położeniu włączonym grozi wypadkiem.
- **Usunąć wszelkie narzędzia i klucze przed włączeniem zasilania.** Uruchomienie elektronarzędzia z kluczem założonym na ruchomy element grozi poważnym wypadkiem.
- **Nie sięgać zbyt daleko. Należy cały czas pewnie opierać stopy i utrzymywać równowagę.** Zapewni to lepsze panowanie nad urządzeniem w nieprzewidywanych sytuacjach.
- **Należy zakładać odpowiednią odzież ochronną. Nie zakładać luźnego ubioru ani biżuterii. Trzymać włosy, ubranie i okulary z dala od ruchomych elementów.** Mogą być one wciągnięte przez ruchome części urządzenia.





- Jeśli używane urządzenie posiada przyłącze do wyciągu i gromadzenia kurzu, należy go używać w odpowiedni sposób. Stosowanie metod usuwania pyłu zmniejsza zagrożenie związane z jego gromadzeniem.

UŻYTKOWANIE I KONSERWACJA URZĄDZEŃ ELEKTRYCZNYCH

- Nie przeciążać urządzenia. Używać odpowiedniego narzędzia do odpowiedniego rodzaju prac. Najlepsze efekty pracy, przy zachowaniu pełnego bezpieczeństwa, zapewni używanie urządzeń w zakresie parametrów znamionowych i stosownie do ich przeznaczenia.
- Nie używać tego urządzenia, jeśli wyłącznik nie pracuje poprawnie. Używanie elektronarzędzia bez sprawnego wyłącznika jest zbyt niebezpieczne - należy oddać je do naprawy.
- Przed przystąpieniem do regulacji, wymiany akcesoriów lub przed odłożeniem elektronarzędzia w miejsce przechowywania należy wyjąć wtyczkę z gniazda sieciowego lub wyjąć akumulator. Tego rodzaju środki zapobiegawcze pozwolą zmniejszyć ryzyko przypadkowego uruchomienia elektronarzędzia.
- Nieużywane urządzenia należy przechowywać poza zasięgiem dzieci. Nie wolno zezwalać osobom nie obeznanym z obsługą urządzeń elektrycznych na ich używanie. Urządzenia elektryczne mogą być niebezpieczne w rękach osób nieposiadających odpowiedniego przygotowania.
- Urządzenia elektryczne wymagają konserwacji. Należy sprawdzać wyrównanie elementów ruchomych, sprawdzać, czy nie ma jakichkolwiek uszkodzeń, uwzględnić wszelkie aspekty mające wpływ na bezpieczną pracę urządzenia. W przypadku stwierdzenia uszkodzeń, oddać urządzenie do naprawy. Wiele wypadków spowodowane jest używaniem urządzeń w niewłaściwym stanie technicznym.
- Elementy tnące muszą być ostre i czyste. Odpowiednio ostre krawędzie tnące ułatwią prowadzenie urządzenia i są bardziej odporne na uszkodzenie.
- Wszelkie urządzenia, przystawki, akcesoria itp. należy używać zgodnie z dołączonymi instrukcjami obsługi, z uwzględnieniem warunków i charakteru wykonywanej pracy. Używanie narzędzi w sposób niezgodny z ich przeznaczeniem grozi poważnym niebezpieczeństwem.

UŻYTKOWANIE I OBSŁUGA AKUMULATORA

- Ładować wyłącznie za pomocą ładowarki dostarczonej przez producenta. Ładowarka przeznaczona do jednego modelu akumulatora może być przyczyną pożaru w przypadku zastosowania do ładowania akumulatora innego typu.
- Używać narzędzi ręcznych z napędem elektrycznym wyłącznie z akumulatorami przeznaczonymi do tych urządzeń. Używanie innych akumulatorów wiąże się ze zwiększonym ryzykiem pożaru lub obrażeń ciała.
- Gdy akumulator nie jest używany, przechowywać go z dala od innych metalowych przedmiotów, np.

spinaczy, monet, kluczy, gwoździ, śrub lub innych małych metalowych przedmiotów, które mogłyby utworzyć połączenie między stykami, prowadząc do zwarcia. Zwarcie styków akumulatora może spowodować oparzenia lub pożar.

- W przypadku niewłaściwej obsługi może dojść do wycieku płynu z akumulatora, należy unikać kontaktu z tym płynem. Miejsce ewentualnego kontaktu przepłukać wodą. W przypadku, gdy płyn dostanie się do oczu, po przemyciu zwrócić się o pomoc do lekarza. Płyn wyciekający z akumulatora może powodować podrażnienia i oparzenia.

KONSERWACJA

- Urządzenie elektryczne powinno być naprawiane przez wykwalifikowany personel, z zastosowaniem identycznych części zamiennych. Dzięki temu zapewnione będzie bezpieczeństwo użytkownika urządzenia.

OPRYSKIWACZ – OSTRZEŻENIA DOTYCZĄCE BEZPIECZEŃSTWA

- Nie rozpylać łatwopalnych płynów, takich jak benzyna, aby ograniczyć ryzyko pożaru lub wybuchu.
- Zawsze należy postępować zgodnie z instrukcjami producenta wydrukowanymi na etykiecie produktu w zakresie użytkowania, czyszczenia i przechowywania. Środki chemiczne należy przechowywać poza zasięgiem dzieci.
- Nie rozpylać materiału, jeśli nie można określić niebezpieczeństwa.
- Aby ograniczyć styczność z rozpylanymi materiałami, należy stosować zatwierdzone sprzęt zabezpieczający, taki jak maski do rozpylania substancji, rękawice oraz inne odpowiednie środki ochrony osobistej.
- Nie należy używać łatwopalnych rozpuszczalników ani ściernych substancji czyszczących do czyszczenia produktu.

⚠ OSTRZEŻENIE

Materiały do natryskiwania muszą znajdować się z dala od oczu. Jeśli natryskiwany materiał zetknie się z oczami, należy natychmiast przepłukać oczy czystą wodą. Jeśli podrażnienie nadal występuje, należy natychmiast zwrócić się o pomoc medyczną.

DODATKOWE OSTRZEŻENIA DOTYCZĄCE BEZPIECZEŃSTWA

- Nie wolno pozwalać używać tego produktu dzieciom lub osobom o ograniczonych zdolnościach fizycznych, sensorycznych lub umysłowych ani osobom, które nie przeczytały tych instrukcji.
- Należy zwrócić uwagę na zagrożenia stwarzane przez natryskiwany materiał. Przed użyciem pestycydów lub innych materiałów natryskowych z tym produktem należy starannie przeczytać etykietę na oryginalnym pojemniku produktu i postępować zgodnie z instrukcjami.





- Podczas natryskiwania na danym obszarze nie mogą znajdować się żadne osoby postronne, dzieci ani zwierzęta.
- Przed użyciem produktu należy upewnić się, że lanca jest dobrze przymocowana do uchwyty lancy. W razie potrzeby należy użyć szczypiec w celu zamocowania lancy do uchwyty lancy.
- Należy pamiętać o prawidłowej wymianie i dokręceniu osłony zbiornika po wlaniu płynu do zbiornika.
- Należy używać wyłącznie wodnych substancji chemicznych klasy konsumenckiej do pielęgnacji trawnika i ogrodu.
- Nie używać substancji chemicznych klasy komercyjnej lub substancji chemicznych do komercyjnych lub przemysłowych zastosowań.
- Nie używać z produktem samoogrzewających płynów żrących (zasad) ani korozyjnych (kwasów). Mogą one spowodować korozję metalowych części lub pogorszyć stan zbiornika i węża.
- Nie zostawiać pozostałości ani materiału w zbiorniku do spryskiwania po użyciu produktu. Wyczyścić po każdym użyciu.
- Nie wlewać gorących lub wrzących płynów do zbiornika. Mogą one pogorszyć stan lub uszkodzić wąż lub zbiornik.
- Nie przepelniać zbiornika.
- Zawsze należy sprawdzać, czy nie ma wycieków. Naprawić przed użyciem produktu.
- Miejsce rozpylania musi być dobrze wentylowane.
- Przed użyciem zawsze należy sprawdzić wewnętrzną i zewnętrzną stronę produktu.
- Płyny do spryskiwania muszą być tak rzadkie jak woda. Gęstsze płyny nie będą prawidłowo rozpylane.
- W razie potrzeby rozpylane materiały mogą być wstępnie mieszane i nalewane do zbiornika przy użyciu lejka.

OBJAŚNIENIE: W przypadku używania pojemnika pomiarowego innego niż miarka lub w przypadku używania lejka do napełniania zbiornika należy dokładnie wyczyścić i wypłukać te naczynia po użyciu. W przypadku wstępnego mieszania materiałów do rozpylania należy wypłukać zbiornik używany do mieszania.

- Nie rozpylać produktu w miejscach, gdzie występują iskry, płomienie lub inne źródła zapłonu.
- Nie rozpylać produktu w kierunku ludzi ani zwierzęta. Zawsze należy spryskiwać na dół.
- Nie palić, nie jeść ani nie pić podczas używania produktu.
- Nie należy spryskiwać bezpośrednio skóry.
- Nie dopuszczać do kontaktu natryskiwanego materiału ze skórą. W razie kontaktu należy natychmiast przemyć dane miejsce mydłem i dużą ilością wody.
- Skierować dyszę bezpośrednio na rośliny lub obiekty, które mają być spryskane.
- Natryskiwane materiały mogą być kierowane na obszary, które nie ulegną uszkodzeniu na skutek kontaktu z danym materiałem.
- Należy unikać spryskiwania w wietrzne dni. Rozpylany

materiał może być przypadkowo rozpylony na rośliny lub obiekty, które nie powinny być natryskiwane.

- Materiały do natryskiwania muszą znajdować się z dala od oczu. Jeśli natryskiwany materiał zetknie się z oczami, należy natychmiast przepłukać oczy czystą wodą. Jeśli podrażnienie nadal występuje, należy natychmiast zwrócić się o pomoc medyczną.
- Produkt może być używany z uchwytem lancy znajdującym się w gnieździe lub może być wyjęty z gniazda i trzymany przez operatora.
- Występuje ryzyko porażenia prądem elektrycznym. Nie rozpylać produktu w kierunku gniazd elektrycznych.
- Po każdym użyciu należy dokładnie umyć ręce oraz inne miejsca skóry, które były narażone na kontakt z produktem.
- Konserwacja produktu. Przed każdym użyciem należy sprawdzić wewnętrzną i zewnętrzną stronę produktu oraz sprawdzić stan elementów. Należy sprawdzić, czy przewody nie są pęknięte lub uszkodzone, czy nie ma wycieków, czy dysze nie są zapchane oraz czy nie ma uszkodzonych lub brakujących części. Jeśli produkt jest uszkodzony, należy naprawić go przed użyciem. Wiele wypadków jest spowodowanych na skutek nieprawidłowej konserwacji produktów.
- Wyjąć baterię z produktu przed opróżnieniem, czyszczeniem lub przechowywaniem produktu w celu niedopuszczenia do przypadkowego uruchomienia produktu.

Wskazanie, że urządzenie może podlegać krajowym przepisom dotyczącym regularnych przeglądów wykonywanych przez jednostki upoważnione zgodnie z dyrektywą 2009/128/WE Parlamentu Europejskiego i Rady z dnia 21 października 2009 ustanawiającą ramy wspólnotowego działania na rzecz zrównoważonego stosowania pestycydów.

MIESZANIE ROZTWORU DO SPRYSKIWANIA

OSTRZEŻENIE

Zmieszać chemikalia dokładnie tak, jak podano w instrukcji producenta. Nieprawidłowo przygotowana mieszanina może wydzielać toksyczne opary lub tworzyć roztwory wybuchowe.

- Nigdy nie rozpylać środków ochrony roślin w postaci nierozcieńczonej.
- Przygotowywać roztwór i napełniać zbiornik na zewnątrz lub w dobrze wentylowanym miejscu.
- Przygotowywać tylko taką ilość roztworu, jaka w danym momencie jest potrzebna.
- Nigdy nie mieszać różnych chemikaliów, jeżeli taka mieszanina nie została zatwierdzona przez producenta.

NAPEŁNIENIE ZBIORNIKA

- Postawić opryskiwacz na poziomej powierzchni. Nie napełniać do poziomu wyższego niż zaznaczony na zbiorniku poziom maksymalny.
- Napełniając z głównego układu doprowadzenia wody, nie zanurzać końcówki węża w roztworze. Nagły spadek ciśnienia w układzie doprowadzenia wody



może spowodować zassanie roztworu do układu.

- Przed napełnieniem zbiornika roztworem do spryskiwania wykonać próbę opryskiwacza, używając świeżej wody. Sprawdzić wszystkie części opryskiwacza pod kątem wycieków.
- Po napełnieniu nałożyć korek wlewu zbiornika i dobrze go dokręcić.
- Przymocować do produktu etykietę wskazującą, jaka substancja chemiczna jest używana.

ZASTOSOWANIE

- Używać tylko w otwartych i dobrze wentylowanych miejscach, np. w otwartych szklarniach.
- Nigdy nie przedmuchiwać dysz lub innych komponentów ustami.
- Unikać kontaktu ze środkami ochrony roślin. Natychmiast zmienić odzież zanieczyszczoną środkami ochrony roślin.
- Nie wykonywać oprysków przy wietrznej pogodzie.
- Zbyt wysokie lub zbyt niskie ciśnienie, lub niekorzystne warunki pogodowe mogą być przyczyną nieprawidłowego stężenia roztworu. Zbyt duża dawka stosowanego środka może być przyczyną uszkodzenia roślin i mieć niekorzystny wpływ na środowisko. Zbyt niska dawka stosowanego środka może nie przynieść pożądanego rezultatu.
- W celu zmniejszenia ryzyka niekorzystnego wpływu na środowisko i rośliny, nie należy używać opryskiwacza:
 - gdy ciśnienie jest zbyt wysokie lub zbyt niskie
 - przy wietrznej pogodzie
 - w warunkach bezpośredniego wystawienia na promienie słoneczne.
- W celu zmniejszenia ryzyka wypadków i uszkodzenia opryskiwacza, nie należy używać opryskiwacza do:
 - cieczy łatwopalnych
 - cieczy lepkich lub kleistych
 - żrących lub korozyjnych substancji chemicznych
 - cieczy o temperaturze wyższej niż 50°C.
- Unikać używania produktu przy temperaturze poniżej 0°C, ponieważ roztwór może zamarznąć.

TRANSPORT I PRZECHOWYWANIE

- Wyjąć akumulator.
- Wszystkie części muszą być czyste i suche.
- Usunąć z produktu wszelkie zanieczyszczenia.
- Przed przechowywaniem lub transportem usunąć wszelkie pozostałości roztworu ze zbiornika opryskiwacza.
- Po każdym użyciu sprawdzić wszystkie części produktu pod kątem wycieków. W razie stwierdzenia wycieku zwrócić produkt do naprawy do autoryzowanego centrum serwisowego.
- Lanca powinna być przechowywana w gnieździe.
- W przypadku transportu produktu należy zabezpieczyć go przed przemieszczaniem się lub upadkiem, aby nie dopuścić do obrażeń ciała lub uszkodzenia urządzenia.
- Należy przechowywać urządzenie w chłodnym, suchym i dobrze wentylowanym miejscu, które jest niedostępne

dla dzieci. Nie chowajcie jej w pobliżu czynników żrących, takich jak ogrodowe produkty chemiczne czy sole odmrażające. Nie przechowywać na zewnątrz.

KONSERWACJA

Unikać stosowania rozpuszczalników do czyszczenia plastikowych części. Większość plastików jest wrażliwa na rozmaite rozpuszczalniki dostępne w handlu i może ulec uszkodzeniu przez ich stosowanie. Do usuwania brudu, kurzu, oleju, smaru itp. należy używać czystej szmatki.

⚠ UWAGA

Nie wolno dopuścić do kontaktu plastikowych części z płynem hamulcowym, benzyną, produktami ropopochodnymi, olejami penetrującymi itp. Substancje chemiczne mogą uszkodzić, osłabić lub zniszczyć tworzywo sztuczne, co może spowodować poważne obrażenia ciała.

⚠ OSTRZEŻENIE

Należy stosować wyłącznie oryginalne części zamienne, akcesoria oraz przystawki producenta. W przeciwnym razie może dojść do obrażeń ciała, niskiej wydajności oraz do unieważnienia gwarancji.

⚠ OSTRZEŻENIE

Serwisowanie wymaga wyjątkowej staranności i wiedzy. Może być wykonywane wyłącznie przez wykwalifikowany personel serwisowy. W celu naprawy zaleca się oddać kosiarkę do najbliższego autoryzowanego punktu serwisowego. Do napraw używać wyłącznie identycznych zamienników.

⚠ OSTRZEŻENIE

Aby uniknąć poważnych urazów ciała, zawsze przed czyszczeniem lub konserwacją produktu należy wyjąć akumulator z produktu.

- Użytkownik może jedynie wykonywać czynności regulacyjne i naprawcze opisane w tej instrukcji obsługi. W przypadku innych napraw należy skontaktować się z autoryzowanym punktem serwisowym.
 - Po każdym użyciu należy wyczyścić produkt zgodnie z instrukcją podaną w tym podręczniku.
 - Przed czyszczeniem należy opróżnić zbiornik.
 - Usunąć materiały do rozpylania przez obszar napełniania.
- OBJAŚNIENIE:** Wylać wszystkie materiały do opryskiwania ze zbiornika do pojemnika przeznaczonego do przechowywania środków chemicznych. Nie należy przechowywać substancji chemicznych w zbiorniku z produktem do rozpylania.
- Do czyszczenia zbiornika należy używać czystej wody. Można dodać niewielką ilość łagodnego detergentu.
 - Produkt należy przecierać czystą, miękką szmatką.
 - Może być wymagane przepłukanie zbiornika więcej niż jeden raz.

UTYLIZACJA

Nigdy nie utylizować pozostałości chemikaliów lub zanieczyszczonych roztworów płuczących, wypuszczając je do dróg wodnych, kanalizacji, kanałów ściekowych, rynsztoków lub studzienek.

Utylizować pozostałości chemikaliów i zużyte zbiorniki zgodnie z lokalnymi przepisami dotyczącymi utylizacji odpadów.

RYZYKO ZWIĄZANE Z UŻYTKOWANIEM:

Nawet jeśli produkt jest używany zgodnie z zaleceniami, nadal nie jest możliwe wyeliminowanie określonych czynników ryzyka. Następujące zagrożenia mogą wystąpić podczas używania urządzenia i operator powinien zwracać szczególną uwagę na poniższe punkty:

- Porażenie prądem elektrycznym. Nigdy nie wolno natryskiwać płynów na gniazda elektryczne, kable lub urządzenia.
- Kontakt z niebezpiecznymi substancjami. Rozpylane materiały mogą być niebezpieczne w przypadku wchłonięcia, połknięcia lub zetknięcia ze skórą lub oczami. Należy ściśle przestrzegać instrukcji i stosować odpowiednie środki ochrony osobistej, zgodnie z zaleceniami zawartymi w tym podręczniku.

⚠ OSTRZEŻENIE

Długotrwałe użytkowanie narzędzia może spowodować obrażenia ciała lub nasilić dolegliwości zdrowotne. W przypadku używania narzędzia przed dłuższy czas należy pamiętać o regularnych przerwach.

ZAPOZNAJ SIĘ ZE SWOIM PRODUKTEM

Patrz str. 135.

CZĘŚCI

1. Pokrywa zbiornika/miarka
2. Uchwyt lancy natryskowej
3. Przycisk włączania/wyłączania
4. Spust z blokadą
5. Podłączenie do akumulatora
6. Lanca natryskowa
7. Dysza
8. Wąż
9. Obudowa silnika
10. Zbiornik
11. Zatrask (x2)
12. Akumulator
13. Ładowarka

SYMBOLE PRODUKTU



Alarm bezpieczeństwa



Należy przeczytać i zrozumieć wszystkie instrukcje przed rozpoczęciem obsługi produktu oraz przestrzegać wszystkich ostrzeżeń i instrukcji dotyczących bezpieczeństwa.



Zakładać środki ochrony wzroku



Należy nosić maskę.



Należy nosić antypoślizgowe rękawice odporne na przenikanie płynów.



Podczas korzystania z tego produktu należy zakładać wysokie, antypoślizgowe obuwie ochronne.



Nie wystawiać urządzenia na działanie deszczu ani nie używać w miejscach o dużej wilgotności.



Narzędzie to spełnia wymogi wszystkich norm reglamentacji kraju UE, w którym było ono zakupione.



Znak zgodności EurAsian



Ukraiński znak zgodności



Zużyte produkty elektryczne nie powinny być utylizowane z odpadami domowymi. Prosimy poddawać recyklingowi w odpowiednich miejscach. Informacje o właściwych metodach recyklingu można uzyskać u władz lokalnych lub sprzedawcy.

Następujące wyrażenia i znaczenia wyrażają poziom zagrożenia związanego z tym produktem:



NIEBEZPIECZEŃSTWO

Wskazuje na realne zagrożenie, które może spowodować śmierć lub poważne zranienie, jeżeli się nie uniknie tego niebezpieczeństwa.



OSTRZEŻENIE

Wskazuje na potencjalne zagrożenie, które może spowodować śmierć lub poważne zranienie, jeżeli się nie uniknie tego niebezpieczeństwa.



UWAGA

Wskazuje na potencjalne zagrożenie, które może spowodować mniejsze lub bardziej poważne zranienie, jeżeli się nie uniknie tego niebezpieczeństwa.

UWAGA

(Bez symbolu ostrzeżenia)
Sytuacja, która może grozić
uszkodzeniem mienia.

SYMBOLE W TYM PODRĘCZNIKU



Zatrzymać urządzenie.



Blokada



Odkręcenie uchwytu



Części lub akcesoria sprzedawane
oddzielnie



Objaśnienie



Ostrzeżenie!



Bezpečnost, výkon a spolehlivost byli hlavní prioritou při návrhu bezdrátového postřikovače plevele.

ZAMÝŠLENÉ POUŽITÍ

Postřikovač plevele je určen pouze pro venkovní používání v dobře větrané oblasti.

Výrobek je navržen pro rozprašování chemikálií pro trávnický a zahrady spotřebitelského typu jako insekticidy, fungicidy, herbicidy a umělá hnojiva. Produkt může být také použit pro vodní rostliny.

Nepoužívejte tento nástroj pro zde neuvedené účely. Výrobek smí být používán dospělými osobami a ne dětmi nebo osobami, které ne nosí odpovídající osobní ochranné vybavení a oděv.

VŠEOBECNÁ BEZPEČNOSTNÍ VAROVÁNÍ

VAROVÁNÍ

Přečtěte si všechny pokyny a bezpečnostní varování. Opomenutí dodržování varování a pokynů uvedených níže může způsobit úraz elektrinou požár a/ nebo vážná poranění osob.

Uchovejte všechny pokyny a upozornění, abyste se k nim mohli v budoucnosti vrátit.

Pojem „elektricky poháněný nástroj“ ve varování poukazuje na váš nástroj, který je napájen pomocí napájecího kabelu z elektrické sítě (s kabelem) nebo z baterie (bez přívodního kabelu).

PRACOVNÍ PROSTŘEDÍ

- **Udržujte pracovní prostor čistý a dobře osvětlený.** Zatarasené nebo tmavé oblasti vedou k nehodám.
- **Neppracujte s tímto elektricky poháněným nástrojem ve výbušných prostředích, například v přítomnosti hořlavých kapalin, plynů nebo prachu.** Elektricky poháněné nástroje vytvářejí jiskry, které mohou zapálit prach nebo výpary.
- **Udržujte děti a přihlížející během práce s elektricky poháněným nástrojem stranou.** Rozptylování může způsobit ztrátu kontroly.

ELEKTRICKÁ BEZPEČNOST

- **Zástrčky elektricky poháněného nástroje musí být shodné s elektrickou zásuvkou.** Nepokoušejte se zástrčku jakýmkoliv způsobem upravovat. **Nepoužívejte žádný adaptér zástrček se zemněným (uzemněným) elektricky poháněným nástrojem.** Neupravené zástrčky a shodné zásuvky snižují nebezpečí elektrického úrazu.
- **Předcházejte tělesnému kontaktu s uzemněnými nebo zemněnými povrchy, například trubkami, radiátory, sporáky a lednicemi.** Je zde zvýšené nebezpečí zásahu elektrickým proudem, pokud je vaše tělo zemněno nebo uzemněno.
- **Nevystavujte tento přístroj dešti nebo vlhkým podmínkám.** Voda vnikající do elektricky poháněného nástroje zvyšuje nebezpečí elektrického úrazu.
- **Nepoškožujte napájecí kabel. Nikdy pro odpojování,**

táhnutí nebo přenašení elektricky poháněného nástroje nepoužívejte kabel. Udržujte kabel mimo horké plochy, olej, pohyblivé součásti nebo ostré hrany. Poškozené nebo zamotané kabely zvyšují nebezpečí elektrického úrazu.

- **Pokud používáte elektricky poháněný nástroj ve venkovním prostředí, použijte prodlužovací kabel vhodný pro venkovní prostředí.** Použití kabelu vhodného pro venkovní prostředí snižuje nebezpečí elektrického úrazu.
- **Pokud používáte elektricky poháněný nástroj ve vlhkém prostředí, je nezbytné používat proudový chránič (PCH).** Použitím PCH snížíte nebezpečí poranění elektrickým proudem.

OSOBNÍ BEZPEČNOST

- **Budte ve střehu, hlídejte, co děláte a používejte zdravý rozum při provozu tohoto elektricky poháněného nástroje.** Elektricky nástroj nepoužívejte, pokud jste unaveni nebo pod vlivem drog, alkoholu nebo léků. Chvilky nepozornosti při práci s tímto elektricky poháněným nástrojem může způsobit vážná poranění osob.
- **Používejte osobní ochrannou výbavu. Vždy noste ochranu očí.** Ochranná výbava jako respirátor, protiskluzová obuv, ochranná přilba nebo ochrana sluchu použitá pro příslušné podmínky snižuje osobní poranění.
- **Zabraňte náhodnému spuštění. Zabezpečte, aby byl spínač v poloze vypnuto (off) před připojením zdroje energie a/nebo bloku baterií, přípravou nebo nesením nástroje.** Nošení elektrického nástroje s vaším prstem na spínači nebo se zapojenou zástrčkou elektrického nástroje může při zapnutí vést k nehodě.
- **Odstraňte všechny seřizovací klíče nebo šroubováky, než zapnete poháněný nástroj.** Klíč nebo šroubovák ponechaný přiložený k pohyblivému dílu elektricky poháněného nástroje může způsobit poranění osob.
- **Nepřeceňujte se. Udržujte řádné postavení a rovnováhu po celou dobu práce.** Toto umožňuje lepší ovládnutí poháněného nástroje v neočekávaných situacích.
- **Správně se oblékejte. Nenoste volný oděv nebo šperky. Udržujte svoje vlasy, oděv a rukavice mimo pohyblivé části.** Volný oděv, šperky nebo dlouhé vlasy mohou být zachyceny do pohyblivých dílů.
- **Pokud jsou zařízení vybavena přípojkou pro odsávání prachu a sběrným zařízením, ujistěte se, že jsou správně připojeny k nástroji, a že se správně používají.** Použití odsavače prachu může snížit nebezpečí související s prachem.

POUŽITÍ A PÉČE O NÁSTROJ

- **Nepoužívejte nadměrnou sílu na nástroj. Nářadí vybírejte podle povahy práce, kterou chcete provádět.** Správný elektricky poháněný nástroj bude svou práci provádět lépe a bezpečněji při práci, pro kterou byl navržen.
- **Elektricky poháněný nástroj nepoužívejte, pokud spínač nezapíná a nevypíná.** Každý elektricky

EN
FR
DE
ES
IT
NL
PT
DA
SV
FI
NO
RU
PL
CS
HU
RO
LV
LT
ET
HR
SL
SK
BG
UK
TR





poháněný nástroj, který nemůže být ovládnán spínačem, je nebezpečný a musí být opraven.

- **Odpojte zástrčku od zdroje napájení a/nebo bateriový modul dříve, než provedete jakákoliv nastavení, výměnu příslušenství nebo než elektrický nástroj uložíte.** Také bezpečnostní preventivní opatření snižují riziko náhodného spuštění elektrického nástroje.
- **Ukládejte nečinný elektricky poháněný nástroj mimo dosah dětí a nenechávejte neznámé osoby pracovat s elektricky poháněným nástrojem nebo s těmito pokyny k obsluze elektrického nástroje.** Elektricky poháněné nástroje jsou nebezpečné v rukou nekvalifikovaných uživatelů.
- **Udržujte elektrické nástroje. Kontrolujte vychýlení nebo zasekávání pohyblivých dílů, rozbité části a každé jiné podmínky, které mohou ovlivnit funkci elektricky poháněných nástrojů. Zjistí-li se poškození, musí se elektricky poháněný nástroj před použitím opravit.** Mnoho úrazů je způsobeno nedostatečně udržovanými elektricky poháněnými nástroji.
- **Udržujte řezné nástroje ostré a čisté.** Řádně udržované řezné nástroje s ostrými řeznými hranami mají nízkou pravděpodobnost zaseknutí a jsou snadněji ovladatelné.
- **Poháněné nástroje, příslušenství a vrtáky, atd. používejte v souladu s těmito pokyny s ohledem k pracovním podmínkám a práci, která má být provedena.** Použití elektricky poháněného nástroje pro práce jiné, než zamýšlené by mohlo mít za následek nebezpečnou situaci.

POUŽITÍ A PÉČE O NÁSTROJ NA BATERIE

- **Dobíjejte pouze nabíječkou určenou výrobcem.** Nabíječka, která je vhodná pro jeden typ akumulátoru může způsobit nebezpečí požáru, pokud se používá s jiným bateriovým modulem.
- **Elektrický nástroj používejte pouze s přesně určeným bateriovým modulem.** Použití jakéhokoliv jiného akumulátoru může způsobit nebezpečí poranění a požáru.
- **Pokud akumulátor nepoužíváte, uchovávejte jej mimo kovové předměty jako svorky pro papír, mince, klíče, hřebíky, šrouby nebo jiné malé kovové předměty, které mohou vytvořit propojení jednoho vývodu s druhým.** Zkratování vývodů baterie může způsobit požár nebo popáleniny.
- **Za nevhodných podmínek může z baterie vytékat kapalina; zabraňte kontaktu.** Pokud dojde k náhodnému kontaktu, omyjte vodou. Pokud kapalina přijde do kontaktu s očima, vyhledejte lékařskou pomoc. Kapalina vytečená z baterie způsobit podráždění nebo popáleniny.

ÚDRŽBA

- **Váš elektricky poháněný nástroj smí opravovat pouze kvalifikovaný opravárenský pracovník a musí používat pouze shodné náhradní díly.** Toto zajišťuje udržování bezpečnosti elektricky poháněného nástroje.

BEZPEČNOSTNÍ VAROVÁNÍ PRO POSTŘIKOVAČ PLEVELE

- Nerozprašujte hořlavé kapaliny, jako je benzin, aby se snížilo riziko vzniku požáru nebo výbuchu.
- Vždy dodržujte pokyny výrobce chemikálie, vytisknuté na jejich etiketě na výrobku pro používání, čištění a uložení. Chemikálie se nesmí skladovat v dosahu dětí.
- Nerozprašujte žádné materiály, kde nemůžete rozpoznat druh nebezpečí.
- Pro snížení vystavení se rozprašovaným chemikáliím noste schválené bezpečnostní vybavení jako respirátor, který je speciálně určen pro odfiltrování postřiků, rukavice a jiné vhodné osobní ochranné prostředky.
- Nepoužívejte hořlavá rozpouštědla nebo abrazivní čisticí prostředky pro čištění produktu.

VAROVÁNÍ

Udržujte rozprašovací materiály mimo dosah očí. Dojde-li ke kontaktu materiálu s očima, vypláchněte ihned čistou vodou. Pokud je podráždění stále pokračuje, ihned vyhledejte lékařskou pomoc.

DOPLŇUJÍCÍ BEZPEČNOSTNÍ VAROVÁNÍ

- Produkt není určen pro používání osobami, včetně dětí se sníženými tělesnými, smyslovými nebo duševními schopnostmi nebo s nedostatkem zkušeností a znalostí, pokud neprošly školením ohledně používání, čištění či údržby.
- Informujte se o veškerých nebezpečích vyplývajících z rozprašovaných materiálů. Před použitím pesticidů nebo jiných materiálů pro rozprašení v tomto výrobku si řádně přečtěte etiketu na originálním obalu a dodržujte zde uvedené pokyny.
- Všechny přihlížející, děti a zvířata se musí zdržovat mimo oblast rozprašování.
- Ujistěte se, že rozstříkovací trubice je pevně připojena k rukojeti rozstříkovací trubice před použitím výrobku. Pokud je to nutné, použijte kombinované kleště pro připojení rozstříkovací trubice k rukojeti rozstříkovací trubice.
- Vždy dokonale nasadte a utáhněte víko nádrže postřikovače po nalití kapaliny do nádrže postřikovače.
- Používejte pouze chemikálie spotřebitelského typu pro trávníky a zahradu.
- Nepoužívejte chemikálie pro komerční nebo průmyslové účely.
- Nepoužívejte v tomto výrobku žíravé (alkalické) samozahřívací nebo leptavé (kyselé) tekutiny. Tyto mohou rozleptat kovové součásti nebo oslabit hadici a nádrž.
- Nenechávejte v nádrži postřikovače po použití žádné usazeniny nebo materiály k rozprašení. Čistěte po každém použití.
- Do nádrže postřikovače nelijte horké nebo vařící kapaliny. Tyto mohou natavit nebo poškodit hadici nebo nádrž postřikovače.





- Nepřeplňuje nádrž.
- Vždy zkontrolujte, zda nedochází k úniku. Pokud nějaké naleznete nějaké, vyřešte problém před použitím výrobku.
- Postřikovaná oblast musí být dobře větrána.
- Vždy před každým použitím prohlédněte vnitřek i vnějšek výrobku.
- Kapaliny, které se budou rozstříkovat, musí být řídké jako voda. Husté kapaliny nebudou řádně rozstříkány.
- Stříkaný roztok si lze připravit a nalít do výrobku například pomocí trychtýře.

POZNÁMKA: Pokud používáte odměrnou nádobu nebo jinou odměrku, nebo pokud používáte trychtýř pro plnění nádrže, zajistěte po použití řádné vyčištění a vypláchnutí těchto předmětů. Pokud si připravujete postřikové materiály, vypláchněte nádrž použitou pro míchání.

- Nestříkejte do jisker, otevřeného ohně nebo jiných zdrojů zapálení.
- Fukat nikdy nesměřujte na osoby ani domácí zvířata. Vždy provádějte postřik po větru.
- Nikdy nekuřte, nejezte nebo nepijte, když s výrobkem pracujete.
- Nevypouštějte přímo na kůži.
- Nenechejte kůži přijít do kontaktu s rozprašovaným materiálem. Dojde-li ke kontaktu, ihned omyjte množstvím vody se saponátem.
- Mířte tryskou výrobku přímo na rostliny nebo předměty, které si přejete postříkat.
- Dbejte na to, abyste rozprašovaný materiál nesměřovali do oblasti, která nesmí být poškozena rozprašovaným materiálem.
- Vyhněte se stříkání ve větrných dnech. Rozprašované materiály mohou být zaneseny na rostliny nebo předměty, které nesmí být stříkány.
- Udržujte rozprašovací materiály mimo dosah očí. Dojde-li ke kontaktu materiálu s očima, vypláchněte ihned čistou vodou. Pokud je podráždění stále pokračuje, ihned vyhledejte lékařskou pomoc.
- Výrobek lze používat s rukojetí rozstříkovací trubice v odkládacím lůžku nebo jej můžete obsluhu vyjmout z lůžka a držet za rukojeť trubice.
- Nebezpečí úrazu elektrickým proudem. Nikdy nestříkejte na elektrické zásuvky.
- Pokud jste ukončili práci s výrobkem, důkladně si umyjte ruce a všechny oblasti na kůži, které byly vystaveny postřiku.
- Provádějte údržbu výrobku. Řádně před každým použitím prohlédněte vnitřek i vnějšek výrobku a komponenty. Zkontrolujte, zda nejsou prasklé hadice, zda těsní, není ucpaná tryska a zda nechybí nebo nejsou poškozeny součásti. Pokud je poškozen, musí být výrobek před použitím opraven. Mnoho úrazů je způsobeno nedostatečnou držbou výrobku.
- Před vypouštěním, čištěním nebo ukládáním postřikovače odpojte ze zařízení baterie.

Označení, že strojní zařízení může podléhat národním požadavkům na pravidelnou prohlídku určenými orgány podle směrnice 2009/128/EK Evropského parlamentu a rady z

21. října 2009, která je rámcem komunitní akce k vytvoření udržitelného užívání pesticidů.

MÍŠENÍ POSTŘIKOVÉHO ROZTOKU

VAROVÁNÍ

Chemikálie míchejte výhradně podle pokynů výrobce. Při nesprávném smíšení mohou vzniknout toxické výpary nebo výbušné roztoky.

- Nikdy nerozstříkujte tekuté pesticidy v nezřetěleném stavu.
- Připravte roztok a naplňte nádobu ve venkovních prostorách nebo do dobře ventilovaných místech.
- Připravte pouze dostatečný roztok pro danou práci tak, aby nezbyly zbytky.
- Nemíchejte různé chemikálie, nebude-li taková směs schválena výrobcem.

NAPLNĚNÍ NÁDOBY

- Postavte postřikovač na rovný povrch, neplňte nádobu nad značku max. naplnění.
- Při plnění z centrálního vodního zdroje neponožte konec hadice do roztoku. Při náhlém poklesu tlaku v systému může dojít k nasátí roztoku zpět do zdroje vody.
- Před plněním nádoby postřikovým roztokem proveďte test s čerstvou vodou a zkontrolujte všechny součásti postřikovače, zda z nich neuniká kapalina.
- Po naplnění nasadte plnicí krytku a pevně ji utáhněte.
- Zavěste k produktu štítek s poznámkou o používaném chemikálii.

NÁSTROJE

- Pracujte pouze v otevřených nebo dobře větraných prostorách, např. v otevřených sklenících.
- Nikdy nefoukejte ústy skrz trysky či jiné součásti.
- Vyhněte se kontaktu s rostlinnými pesticidy, ihned převlékněte oděv kontaminovaný těmito pesticidy.
- Neprovádějte postřik za větru.
- Při příliš vysokém nebo příliš nízkém tlaku nebo nepříznivých povětrnostních podmínkách může vzniknout nesprávná koncentrace roztoku. Při předávkování může dojít k poškození rostlin a životního prostředí. Při nedostatečném dávkování nebude pesticid účinkovat.
- Aby bylo omezeno riziko škod na životním prostředí a rostlinách, neprovozujte postřikovač v těchto případech:
 - příliš vysoký nebo nízký tlak
 - za větru
 - pod přímým slunečním světlem
- Aby bylo omezeno riziko nehod a poškození postřikovače, nikdy neprovozujte postřikovač s těmito kapalinaми:
 - hořlavé kapaliny
 - viskózní či lepkavé kapaliny
 - žíravé či korozivní chemikálie
 - kapaliny teplejší než 50 °C





- Nepoužívejte produkt v mrznoucí vodě, protože roztok by mohl zmraznout.

TRANSPORT A SKLADOVÁNÍ

- Vyměňte akumulátorový modul.
- Ujistěte se, že jsou všechny součásti čisté a suché.
- Odstraňte z výrobku všechny cizí materiály.
- Před uskladněním a přepravou vypusťte veškerý postřikový materiál z nádrže postřikovače.
- Po každém použití zkontrolujte všechny součásti produktu, zda těsní. Vraťte produkt do autorizovaného servisního centra za účelem opravy, pokud produkt netěsní.
- Stříkací trubici lze uložit do odkládacího lůžka.
- Při transportu výrobku zajistěte proti pohybum nebo pádu, abyste zabránili poranění osob nebo poškození výrobku.
- Ukládejte v chladných, suchých a dobře větraných prostorech, které nejsou přístupné dětem. Nářadí neuskładňujte v blízkosti žíravých látek, jako například v blízkosti zahrádkářských nebo zahradnických chemických přípravků nebo soli na zimní spání komunikací. Neskladujte mimo budovu.

ÚDRŽBA

Vyhnete se používání rozpouštědel, když čistíte plastové díly. Mnoho plastů je citlivých na poškození různými typy komerčních rozpouštědel a mohou být jimi poškozeny. Používejte čisté utěrky pro odstranění nečistot, prachu, oleje, mastnoty, atd.

VAROVÁNÍ

Nikdy nenechte přijít brzdové kapaliny, petrolej, výrobky založené na petroleji, pronikavé oleje, atd. do kontaktu s plastovými součástmi. Chemikálie mohou poškodit, oslabit nebo zničit plast, který může mít za následek vážná osobní poranění.

VAROVÁNÍ

Používejte pouze originální příslušenství, doplňky a náhradní díly výrobce. Zanedbání může zapříčinit možné poranění, slabý výkon a může dojít ke ztrátě záruky.

VAROVÁNÍ

Údržba vyžaduje extrémní péči a znalosti a měla by být prováděna pouze kvalifikovaným servisním technikem. Pro údržbu nebo servis doporučujeme výrobek vrátit do nejbližšího pověřeného opravárenského střediska. Pokud opravujete, používejte pouze stejné náhradní díly.

VAROVÁNÍ

Pro zabránění vážných osobních poranění vždy odstraňte bateriový modul z výrobku, když provádíte čištění nebo jakoukoliv údržbu.

- Můžete provádět pouze v návodu k obsluze uvedené opravy a seřízení. Další opravy se smí provádět pouze u pověřených servisních prodejců.
 - Po každém použití očistěte výrobek, jak je předepsáno v této příručce.
 - Vypusťte a vyprázdněte před čištěním nádrž postřikovače.
 - Vypusťte rozprašovaný materiál pomocí plnicí oblasti.
- POZNÁMKA:** Vylijte veškerý rozprašovaný materiál z nádrže postřikovače do nádoby schválené pro chemikálie. V nádrži postřikovače neuchovávejte žádné chemikálie.
- K čištění a oplachu nádrže postřikovače použijte čistou vodu. Můžete přidat malé množství saponátu pro domácnost.
 - Výrobek utírejte čistou, suchou utěrkou.
 - Možná bude třeba nádrž postřikovače vypláchnout více než jednou.

LIKVIDACE

Nikdy nevylévejte zbytkové chemikálie či kontaminované výplachové roztoky do vodních toků, stok, kanálů, odtokových žlabů či vstupních otvorů kanálů.

Zbytkové chemikálie a použité nádoby zlikvidujte v souladu s místními směrniciemi o likvidaci odpadu.

ZBYTKOVÁ RIZIKA

Dokonce, i když se výrobek provozuje jak je předepsáno, je stále nemožné zcela eliminovat veškeré zbytkové rizikové faktory. Následující nebezpečí mohou nastat při používání; vyhýbejte se:

- Úraz elektrickým proudem. Nikdy nerozprašujte kapalinu směrem k elektrickým zásuvkám, kabelům nebo přístrojům.
- Kontakt s nebezpečnými látkami. Rozprašované materiály mohou mít škodlivé účinky po vdechování, požití nebo po styku s pokožkou nebo očima. Postupujte opatrně podle pokynů a používejte vhodné ochranné prostředky, jak je předepsáno v této příručce.

VAROVÁNÍ

Poranění mohou být způsobena, či zhoršena, prodlouženým používáním nástroje. Když používáte jakýkoliv nástroj delší dobu, dělejte pravidelně přestávky.

POZNEJTE SVŮJ NÁSTROJ

Viz strana 135.

SOUČÁSTI

1. Víko nádrže postřikovače/měrný pohár
2. Rukojeť rozstřikovací trubice
3. Tlačítko zapnutí/vypnutí
4. Spoušť se zámkem
5. Bateriový konektor
6. Rozstřikovací trubice
7. Tryska
8. Hadice
9. Kryt motoru
10. Nádrž



- 11. Západka (x2)
- 12. Baterie
- 13. Nabíječka

SYMBOLY NA VÝROBKU



Bezpečnostní výstraha



Řádně si návod přečtěte, porozumějte veškerým pokynům a dodržujte všechny bezpečnostní pokyny a bezpečnostní varování.



Noste ochranu očí



Noste masku.



Noste protiskluzovou, odolné rukavice vůči kapalinám.



Noste neklouzavou bezpečnostní obuv, když používáte tento výrobek.



Nevystavujte dešti nebo nepoužívejte ve vlhkých podmínkách.



Toto nářadí je v souladu se všemi normami a předpisy platnými v zemi EU, ve které bylo zakoupeno.



Euroasijská značka shody



Ukrajinská značka shody



Odpad elektrických výrobků se nesmí likvidovat v domovním odpadu. Recyklujte prosím na sběrných místech. Ptejte se u místních úřadů nebo prodejce na postup při recyklaci.

Následující signální slova a významy jsou vhodné pro vysvětlení úrovní nebezpečí spojených s tímto výrobkem.



NEBEZPEČÍ

Označuje bezprostředně rizikovou situaci, které je třeba předejít, jinak bude jejím následkem smrt nebo vážné zranění.



VAROVÁNÍ

Označuje možnou rizikovou situaci, které je třeba předejít, jinak jejím následkem může být smrt nebo vážné zranění.



VAROVÁNÍ

Označuje možnou rizikovou situaci, které je třeba předejít, jinak jejím následkem může být smrt nebo vážné zranění.

VAROVÁNÍ

(Bez symbolu bezpečnostní výstrahy) Určuje situaci, která může mít za následek vážné poškození.

SYMBOLY V NÁVODU



Zastavte produkt.



Zamknuto



Odemknuto



Díly nebo příslušenství jsou v prodeji samostatně



Poznámka



Varování



Az akkumulátoros gyomirtó permetezőgép tervezésekor a biztonság, a teljesítmény és a megbízhatóság voltak a legfontosabb szempontok.

RENDELTESSZERŰ HASZNÁLAT

A gyomirtó permetező kültéri, jól szellőztetett területen való használatra készült.

A termék kereskedelemben kapható házi és kerti vegyszereke permetezésére készült, mint a rovarölők, gombaölők, gyomirtók és műtrágyák. A termék használható a növények locsolására is.

Ne használja a terméket a fent leírtaktól eltérő célra. A terméket nem használhatják gyerekek, illetve megfelelő személyi védelmi eszközöket és ruházatot nem viselő személyek.

ÁLTALÁNOS BIZTONSÁGI FIGYELMEZTETÉSEK

FIGYELMEZTETÉS

Olvassa el az összes biztonsági figyelmeztetést és útmutatást. A figyelmeztetések és utasítások be nem tartása elektromos áramütést, tüzet és/vagy súlyos sérülést eredményezhet.

Őrizz meg ezeket a figyelmeztetéseket és utasításokat a későbbi tájékozódásra is.

A figyelmeztetéseken a „szerszámgép” kifejezés az elektromos hálózatról (kábelrel) működtetett vagy akkumulátorral (kábel nélkül) működtetett gépet jelenti.

MUNKATERÜLET

- A munkaterületet tartsa tisztán és jól megvilágítva. A rendetlen vagy sötét munkaterületek balesetekhez vezethetnek.
- Az elektromos szerszámgépeket ne működtesse robbanásveszélyes környezetben, mint például robbanásveszélyes folyadékok, gázok vagy porok jelenlétében. Az elektromos gépekben szikrák keletkeznek, amik begyűjthetik a port vagy a gőzöket.
- Az elektromos szerszámgép használatakor a gyerekeket és a kívülállókat tartsa távol. A figyelem elterelődése az irányítás elvesztését okozhatja.

ELEKTROMOS BIZTONSÁG

- A szerszámgép dugaszának illeszkednie kell az aljzathoz. Semmilyen módon ne módosítsa a dugaszt. A földelt elektromos gépekhez ne használjon adapter dugaszt. A nem módosított és illeszkedő dugasz csökkenti az áramütés kockázatát.
- Kerülje az érintkezést földelt felületekkel, mint például csövekkel, radiátorokkal és hűtőkkel. Megnöveli az áramütés kockázatát, ha a teste földeltté válik.
- Ne tegye ki a terméket esőnek vagy nedves környezet hatásának. A szerszámgépekbe kerülő víz növeli az áramütés kockázatát.
- Ne rongálja meg a kábelt. A szerszámgép kábelét soha ne használja a szerszám hordozására, húzására vagy kihúzására. A kábelt hőtől, olajtól,

éles tárgyaktól vagy mozgó alkatrészekről tartsa távol. A sérült vagy beakadt kábelek növelik az áramütés kockázatát.

- Szerszámgépnek a szabadban való működtetésekor kültéri használatra is megfelelő hosszabbító kábelt használjon. Kültéri használatra megfelelő hosszabbító kábel csökkenti az áramütés kockázatát.
- Ha a szerszámgép használata nedves környezetben elkerülhetetlen, használjon áram-védőkacsolót (RCD). Az RCD használata csökkenti az áramütés kockázatát.

SZEMÉLYI BIZTONSÁG

- Elektromos szerszámgép működtetésekor legyen mindig éber, figyeljen arra, amit csinál, és használja a józan esztét. Ne használja a szerszámgépet, ha fáradt vagy alkohol, gyógyszer illetve más tudatmódosító szerek hatása alatt áll. A gép használata közben már egyetlen figyelmen kívül hagyás súlyos személyi sérüléshez vezethet.
 - Használjon személyi védelmi eszközöket. Mindig viseljen védőszemüveget. A védelmi felszerelések, mint például a pormaszk, a csúszásmentes biztonsági lábbelik, a védősisak vagy a fülvédő megfelelő használata csökkenti a személyi sérüléseket.
 - Kerülje el a véletlen bekapcsolást. A szerszám szállítása vagy felemelése, az áramellátás és/vagy akkumulátor csatlakoztatása előtt ellenőrizze, hogy a kapcsoló kikapcsolott állásban van. Szerszámgépek szállítása a kapcsolón tartott ujjal vagy bekapcsolott szerszámgépek áram alá helyezése balesetekhez vezet.
 - A szerszámgépről bekapcsolás előtt távolítson el minden beállító kulcsot és csavarkulcsot. Egy a szerszámgép forgó alkatrészén maradt beállító kulcs vagy csavarkulcs személyi sérülést eredményezhet.
 - Ne hajtson ki túlságosan. Mindig tartson megfelelő testtartást és egyensúlyt. Ez a szerszámgép jobb irányítását teszi lehetővé váratlan situációkban.
 - Viseljen megfelelő ruházatot. Ne vegyen fel laza ruhát vagy ékszereket. A haját, a ruháit és a kesztyűjét tartsa távol a forgó alkatrészekről. A laza ruházat, ékszerek vagy a hosszú haj beakadhatnak a mozgó alkatrészekbe.
 - Ha a gép el van látva porkivezető vagy -gyűjtő berendezésekhez való csatlakozási lehetőséggel, akkor ügyeljen rá, hogy ezeket csatlakoztassák és megfelelően használják. A porfogó használata csökkentheti a porral kapcsolatos veszélyeket.
- ### A SZERSZÁMGÉP HASZNÁLATA ÉS KARBANTARTÁSA
- Ne erőltesse a terméket. A feladathoz a megfelelő szerszámgépet használja. A megfelelő szerszámgép jobb teljesítménnyel és sokkal biztonságosabban fog dolgozni olyan körülmények között, amilyenekre azt tervezték.
 - Ne használja a szerszámgépet, ha a kapcsoló nem kapcsol be és ki. Bármilyen szerszámgép veszélyes, amit a kapcsolóval nem lehet irányítani, ezért azt meg kell javítani.





- Bármilyen beállítás, tartozékcsere elvégzése vagy a szerszámgép tárolása előtt húzza ki a szerszámgépet a hálózathoz és/vagy vegye ki az akkumulátort a szerszámgépéből. Az ilyen megelőző biztonsági óvintézkedések csökkentik a szerszámgép véletlen bekapcsolódásának kockázatát.
- A használaton kívüli gépet gyerekek számára nem elérhető helyen tárolja, és ne hagyja, hogy a szerszámgépet vagy a kézikönyvet nem ismerő személyek használják a szerszámgépet. Gyakorlatlan felhasználók kezében a szerszámgépek veszélyesek.
- Tartsa megfelelő állapotban a szerszámgépeket. Ellenőrizze a mozgó alkatrészek akadását vagy helytelen beállítását, az alkatrészek törését és minden más körülményt, ami hatással lehet a szerszámgép működésére. Ha sérült, a szerszámgépet használat előtt meg kell javítani. Sok balesetet a rosszul karbantartott szerszámgépek okoznak.
- A vágószerszámok legyenek élesek és tiszták. A megfelelően karbantartott, és éles vágóélű vágószerszámok kevésbé akadnak be és könnyebben irányíthatók.
- A szerszámgépet, a tartozékokat és a biteket stb. ezen utasításban leírtaknak megfelelően használja, figyelembe véve a munkakörülményeket és az elvégzendő feladatokat. A szerszámgép rendeltetésétől eltérő műveletekre való használata veszélyes helyzeteket eredményezhet.

AKKUMULÁTOROS SZERSZÁMGÉP HASZNÁLATA ÉS KARBANTARTÁSA

- Csak a gyártó által megadott töltővel töltsen az akkumulátorokat. Egy adott akkumulátortípushoz való töltő egy másik típusú akkumulátorral való használata tűzveszélyes lehet.
- A szerszámokat csak a hozzájuk való akkumulátorokkal üzemeltesse. Más akkumulátorok használata tűzveszélyes lehet, és sérüléseket okozhat.
- Az akkumulátort használaton kívül tartsa távol más fém tárgyaktól, úgymint gemkapcsoktól, érméktől, kulcsoktól, szögektől, csavaroktól vagy más kisméretű fém tárgyaktól, amelyek rövide zárhatják a két érintkezőt. Az akkumulátor érintkezőinek rövide zárása tüzet vagy égéseket okozhat.
- Nem megfelelő körülmények esetén folyadék távozhat az akkumulátorból, kerülje az azzal való érintkezést. Ha mégis érintkezik vele, öblítse le vízzel. Ha a folyadék szembe kerül, forduljon orvoshoz. Az akkumulátorból kifolyt folyadék irritációt vagy égéseket okozhat.

KARBANTARTÁS

- A szerszámgépet csak szakképzett szervizszakemberrel szervizeltesse, csak azonos cserealkatrészeket használva. Ez biztosítja, hogy a szerszámgép használata továbbra is biztonságos legyen.

GYOMIRTÓ PERMETEZŐ BIZTONSÁGI FIGYELMEZTETÉSEK

- Ne permetezzen gyúlékony anyagokat, mint a benzin, hogy csökkentse a tűz vagy robbanás kockázatát.
- Mindig kövesse a vegyszer gyártójának a termékcímkére nyomtatott, a használatlalt, tisztítással és tárolással kapcsolatos utasításait. A vegyszereket gyerekek számára nem hozzáférhető helyen kell tárolni.
- Ne permetezzen olyan anyagot, amelynek nem ismeri a veszélyeit.
- A permetezőanyagok való kitesztés csökkentéséhez viseljen jóváhagyott biztonsági védőberendezést, mint a permetező arcmaszk, kesztyű és egyéb megfelelő eszköz.
- Ne használjon gyúlékony oldószereket vagy karcoló tisztítószereket a termék tisztításához.

▲ FIGYELMEZTETÉS

A permetezőanyagot tartsa távol a szemétől. Ha a permetezőanyag szembe kerül, azonnal mossa ki tiszta vízzel. Ha az irritáció továbbra is fennáll, azonnal forduljon orvoshoz.

TOVÁBBI BIZTONSÁGI FIGYELMEZTETÉSEK

- Ne hagyja, hogy gyerekek, csökkent fizikai, érzékelési vagy értelmi képességgel rendelkező személyek, vagy akiknek nincs van a tapasztalatuk és tudásuk ehhez, vagy az utasításokat nem ismerő személyek működtessék, tisztítsák vagy karbantartsák a terméket.
- Figyeljen oda a permetezőanyaggal összefüggő veszélyekre. Bármilyen növényvédőszer vagy bármilyen más permetezőanyag termékkel való használata előtt körültekintően olvassa el az eredeti tartálon levő címkét, és kövesse az utasításokat.
- Permetezés közben a területől tartsa távol a nézelődőket, a gyerekeket és az állatokat.
- A termék használata előtt ellenőrizze, hogy a lándzsa erősen rögzítve van a lándzsa fogantyúhoz. Ha szükséges, fogó segítségével csatlakoztassa egymáshoz a lándzsát és a lándzsa fogantyúját.
- Ne feledje el megfelelően felhelyezni és betekerni a permetezőtartály fedelét, miután betöltötte a folyadékot a tartályba.
- Csak kereskedelemben kapható víz alapú pázsit- és kerti vegyszereket használjon.
- Ne használjon kereskedelmi vegyszereket vagy vegyszereket kereskedelmi vagy ipari célokra.
- Ne használjon maró (alkáli) öngyulladás vagy korrózió (savas) folyadékokat a termékkel. Ezek korrodálhatják a fém részeket vagy gyengíthetik a tartályt és a tömlőt.
- Ne hagyjon maradékot vagy permetezőanyagot a permetezőtartályban a termék használata után. Minden használat után tisztítsa meg.
- Ne öntsön forró vagy forrásban lévő folyadékot a permetezőtartályba. Ezek gyengíthetik vagy károsíthatják a tömlőt vagy a permetezőtartályt.





- Ne töltse túl a tartályt.
- Mindig ellenőrizze a szivárgást. Ha bármilyet fedez fel, a termék használata előtt, javíttassa meg a problémát.
- A szórási területnek jól szellőzöttnek kell lennie.
- Mindig, minden használat előtt vizsgálja át a termék külsejét és belsejét.
- A kipermetezendő folyadéknak víz sűrűségűnek kell lenniük. A sűrűbb folyadékok nem megfelelően permetezhetők.
- A permetezőanyagokat előre össze kell keverni, és ha szükséges, egy tölcser segítségével kell beönteni a permetezőtartályba.

MEGJEGYZÉS: Ha nem a mérőpoharat használja mérőedényként, vagy egy tölcserrel tölti fel a tartályt, a használat után alaposan tisztítsa meg az edényeket. A permetezőanyag előkeverésekor öblítse ki a keveréshez használt edényt.

- Ne permetezzen, ahol szikra, láng vagy más gyújtóforrás van jelen.
- Ne permetezzen emberek vagy háziállatok irányába. Mindig lefelé permetezzen.
- Ne dohányozzon, egyen vagy igyon a termék használata közben.
- Ne permetezze ki közvetlenül a bőre.
- Ne hagyja, hogy a permetezőanyag érintkezzen a bőrel. Ha mégis ez történik, azonnal mossa le szappannal és bő vízzel.
- Közvetlenül a permetezendő növényekre vagy a tárgyakra irányítsa a fúvókát.
- Ellenőrizze, hogy az egy adott területre irányított permetezőanyagok nem károsítják a területet
- Kerülje a szeles napokon való permetezést. A permetezőanyagok véletlenül olyan növényekre vagy tárgyakra fújhatók, melyek nem permetezhetők.
- A permetezőanyagot tartsa távol a szemétől. Ha a permetezőanyag szembe kerül, azonnal mossa ki tiszta vízzel. Ha az irritáció továbbra is fennáll, azonnal forduljon orvoshoz.
- A termék működtethető a bölcsőn fekvő lándzsafogantyúval vagy eltávolítható a bölcsőről, és a kezelő tarthatja a kezében.
- Áramütés veszélye. Ne permetezzen a hálózati aljakatok irányába.
- Minden használat után mossa meg alaposan a kezét és minden területet, ahol a bőre érintkezhetett a permettel.
- Tartsa megfelelő állapotban a terméket. Mindig, minden használat előtt alaposan vizsgálja át a termék külsejét és belsejét és az összetevőket. Ellenőrizze a repedt és sérült tömlőket, szivárgásokat, eltömődött fúvókákat és hiányzó vagy sérült részeket. Ha sérült, a terméket az újbóli használat előtt meg kell javítani. A rosszul karbantartott termékek sok balesetet okoznak.
- A véletlen elindítás megelőzendő a leeresztés, tisztítás vagy tárolás előtt vegye ki az akkumulátort a termékből.

Azt jelzi, hogy a készülék a nemzeti követelmények szerinti, a kijelölt szervek által végzett rendszeres ellenőrzés tárgya lehet, ahogy azt az Európai Parlament és Tanács 2009/128/EK (2009. október 21.) „A peszticidek fenntartha-

tó használatának elérését célzó közösségi fellépés kereteinek meghatározásáról” című irányelve előírja.

A PERMETLÉ BEKEVERÉSE

▲ FIGYELMEZTÉS

A vegyszerek bekeverését gyártó utasításainak szigorú betartásával végezze. A nem megfelelő keverékek mérgező füstöket vagy robbanásveszélyes oldatokat képezhetnek.

- A növényvédő szereket soha ne permetezze ki hígítatlanul.
- Az oldatok elkészítését és a tartály feltöltését csak szabadban vagy jól szellőző helyen végezze.
- Csak az aktuális feladatnak megfelelő mennyiségű oldatot készítsen, hogy ne keletkezzen maradék.
- Ne keverje össze a különböző vegyszereket, kivéve, ha az így kapott keveréket a gyártó jóváhagyta.

A TARTÁLY FELTÖLTÉSE

- Állítsa a permetezőt egy vízszintes felületre, ne töltse a tartályt a maximum jelen túl.
- Ha a feltöltést a vízvezetékéről végzi, ne merítse a tömlő végét az oldatba. A rendszer hirtelen nyomáscsökkenése az oldat vízvezetékbe történő visszaszivását eredményezheti.
- A tartály permetlével történő feltöltése előtt, tiszta vízzel végezzen próbaüzemet, és szivárgás szempontjából ellenőrizze a permetező valamennyi alkatrészét.
- A feltöltés után tegye vissza a betöltőnyílás sapkáját, és szorítsa meg erősen.
- Tegyen egy címkét a termékre, annak jelzésére, hogy milyen vegyszert használ.

ALKALMAZÁS

- Csak a szabadban vagy jól szellőző helyen dolgozzon, például nyitott üvegházban.
- Szájával soha ne fújja át a fúvókákat vagy egyéb alkatrészeket.
- Kerülje a növényvédő szerekekkel történő érintkezést, az azokkal szennyezett ruházatot azonnal cserélje le.
- Ne permetezzen szeles időben.
- A túl magas vagy a túl alacsony légnyomás, illetve a kedvezőtlen időjárási körülmények nem megfelelő oldatkonzentrációt eredményezhetnek. A túladagolás károsíthatja a növények és a környezetet. Az aluladagolás sikertelen növényvédelmet eredményezhet.
- A környezet- és a növénykárosítás kockázatának csökkentése érdekében ne használja a permetezőt:
 - túl magas vagy túl alacsony légnyomás esetén,
 - szeles időben,
 - közvetlen napsütésben.
- A balesetek és a permetező károsodásának elkerülése érdekében soha ne használja a permetezőt:
 - gyúlékony folyadékokkal,
 - sűrű vagy ragacos folyadékokkal,



- maró vagy korrozív vegyszerekkel,
 - 50 °C-nál melegebb folyadékokkal.
- Ne használja a terméket fagyos időben, mert az oldat megfagyhat.

SZÁLLÍTÁS ÉS TÁROLÁS

- Vegye ki az akkumulátort.
- Ellenőrizze, hogy minden alkatrész tiszta és száraz.
- Minden idegen anyagtól tisztítsa meg a terméket.
- Tárolása és szállítása előtt ürítse ki a permetezőtartályt.
- Minden egyes használat után ellenőrizze a termék alkatrészeinek szivárgásmentességét. Ha szivárgást tapasztal juttassa, el a terméket egy hivatalos szervizközpontba.
- A lándzsa a bölcsőben tárolható.
- Szállításkor rögzítse a terméket elmozdulás és leesés ellen, hogy elkerülje a sérüléseket és a termék sérülését.
- Hűvös, száraz és jól szellőztetett, gyerekektől elzárt helyiségben tárolja. Ne tárolja olyan oxidálószerrel közelében, mint pl. kerti munkáknál használatos vegyszerek vagy jégmentesítő sók. Ne tárolja a szabadban.

KARBANTARTÁS

A műanyag részek tisztításakor tartózkodjon a tisztítószer használatától. A legtöbb műanyag érzékeny a különböző típusú kereskedelmi oldószerekre és azok használata esetén károsodhat. Egy tiszta ruhát használjon a kosz, por, olaj, kenőzsír, stb. eltávolítására.

▲ FIGYELEM FELHÍVÁS

A műanyag részek semmilyen körülmények között nem érintkezhetnek fékolajjal, benzinnel, petróleum alapú termékekkel, beszívódó olajokkal stb. A vegyszerek károsíthatják, gyengíthetik vagy tönkretelhetik a műanyagot, ami súlyos személyi sérülést eredményezhet.

▲ FIGYELMEZTETÉS

Csak a gyártó eredeti cserealkatrészeit, tartozékait és szereléseit használja. Ennek figyelmen kívül hagyása gyenge motorteljesítményt, esetleges sérülést és a jótállás elvesztését okozhatja.

▲ FIGYELMEZTETÉS

szervizelés különös figyelmet és hozzáértést igényel, és csak szakképzett szerelő végezheti el. Javasoljuk, hogy a szervizeléskor a terméket vegye a legközelebbi hivatalos szervizközpontba javítás céljából. Szervizeléskor csak azonos cserealkatrészeket használjon.

▲ FIGYELMEZTETÉS

A súlyos személyi sérülések elkerülése érdekében tisztításkor és karbantartáskor mindig vegye ki az akkumulátort a készülékből.

- Ön csak a használati útmutatóban leírt beállításokat és javításokat végezheti el. Az egyéb javításokhoz vegye fel a kapcsolatot a hivatalos szervizzel.
- Minden használat után a kézikönyvben leírtak szerint tisztítsa meg a terméket.
- Tisztítás előtt eressze le és ürítse ki a permetezőtartályt.
- A betöltési területen eressze le a permetezőanyagot.

MEGJEGYZÉS: A permetlértartályban lévő összes permetezőszert engedje le egy vegyszerek tárolására alkalmas tartályba. Ne tárolja a vegyszereket a permetezőtartályban.

- Tiszta vizet használjon a permetezőtartály tisztításához és öblítéséhez. Egy kevés enyhe háztartási tisztítószer adható hozzá.
- Egy tiszta, száraz ruhával törölje le a terméket.
- Szükséges lehet a permetezőtartály egynél többszöri kiöblítésére.

HULLADÉKKEZELÉS

Soha ne öntse a maradék vegyszereket vagy a szennyezett öblítőoldatokat természetes vizekbe, szennyvízcsatornába, vizesárkokba vagy aknába.

A maradék vegyszereket és a használt tárolóedényeket a helyi hulladékkezelési előírásoknak megfelelően semmisítse meg.

FENNMARADÓ KOCKÁZAT

Még a termék rendeltetésszerű használata esetén sem lehet teljesen kiküszöbölni minden kockázati tényezőt. A gép használata során a következő veszélyek merülhetnek fel, és a kezelőnek különösen oda kell figyelnie az alábbiak elkerülésére:

- Áramütés. Ne permetezze a folyadékot elektromos aljzatokra, kábelekre vagy készülékekre.
- Veszélyes anyagokkal érintkezik. A permetezőanyagok belélegezve, lenyelve, vagy bőrrel vagy szemmel érintkezve károsak lehetnek. Körültekintően kövesse az utasításokat, és a kézikönyvben előzőleg leírtaknak megfelelően viseljen megfelelő védőberendezést.

▲ FIGYELMEZTETÉS

Injuries may be caused, or aggravated, by prolonged use of a tool. Ha a gépet hosszú időn át kell használnia, tartson gyakran szünetet.

ISMERJE MEG A TERMÉKET

Lásd 135. oldal.

RÉSZEGYSÉGEK

1. Permetezőtartály fedele / mérőpohár
2. Lándzsafogantyú

3. Be/ki kapcsológomb
4. Kireteszelhető kioldó
5. Akkumulátor-csatlakozó
6. Lándzsa
7. Fúvóka
8. Tömlő
9. Motor burkolata
10. Tartály
11. Rendszer (x2)
12. Akkumulátor
13. Töltő

SZIMBÓLUMOK A TERMÉKEN



Biztonsági figyelmeztetés



A termék használata előtt olvassa el és értse meg a kezelési útmutatóban leírtakat, és tartsa be az összes figyelmeztető és biztonsági utasítást.



Viseljen védőszemüveget



Viseljen maszkot.



Viseljen nem csúszós, folyadékálló kesztyűt.



A termék használata közben csúszásmentes biztonsági lábbelit viseljen.



Ne tegye ki esőnek, és ne használja nedves környezetben.



Ez a szerszám minden, a vásárlás európai uniós országában hatályos szabványnak megfelel.



Eurázsiai megfelelési jelzés



Ukrainai megfelelési nyilatkozat



A kiselejtezett elektromos termékeket nem szabad a háztartási hulladékkal együtt kidobni. Ezeket újra kell hasznosítani, ha van rá lehetőség. Az újrahasznosítással kapcsolatban érdeklődjön a helyi önkormányzatnál vagy a termék forgalmazójánál.

A következő jelölések és jelölések arra szolgálnak, hogy megmagyarázzák a termékkel kapcsolatos veszélyességi szinteket:



VESZÉLY

Egy bekövetkező veszélyes helyzetet jelez, ami, ha nem előzik meg, halált vagy komoly sérülést eredményez.



FIGYELMEZTETÉS

Egy potenciálisan bekövetkező veszélyes helyzetet jelez, amit, ha nem előznek meg, halált vagy komoly sérülést eredményezhet.



FIGYELEMFELHÍVÁS

Egy potenciálisan veszélyes helyzetet jelez, ami, ha nem előzik meg, kisebb vagy mérsékelt sérülést eredményezhet.

FIGYELEMFELHÍVÁS

(Biztonsági figyelmeztető szimbólum nélkül) Egy olyan helyzetet jelez, ami anyagi kárt eredményezhet.

A KÉZIKÖNYVBEN HASZNÁLT SZIMBÓLUMOK



Állítsa le a terméket.



Retesz



Szétnyitás



Külön értékesített alkatrészek és kiegészítők



Megjegyzés



Figyelem



Au fost acordate priorități maxime siguranței, funcționării și fiabilității la proiectarea aparatului dvs de stropit buruieni fără cablu.

UTILIZARE PREVĂZUTĂ

Aparatul de stropit buruieni este destinat pentru uzul exterior într-o zonă bine aerisită.

Produsul este proiectat pentru stropirea substanțelor chimice de grădină precum insecticide, fungicide, contra buruienilor și fertilizatorilor. Produsul poate fi de asemenea folosit pentru irigarea plantelor.

Nu folosiți produsul pentru niciun alt scop nemenționat mai sus. Produsul nu trebuie folosit de copii sau persoane ce nu poartă echipamentul și hainele de protecție corespunzătoare.

AVERTISMENTE GENERALE PRIVIND SIGURANȚA

⚠ AVERTISMENT

Citiți toate avertismentele și instrucțiunile de siguranță. Nerespectarea acestor avertismente și instrucțiuni poate conduce la șocuri electrice, incendii și/ sau accidente grave.

Păstrați aceste avertismente și instrucțiuni, pentru a le putea consulta ulterior.

Termenul de "unealtă electrică" folosit în avertismente se referă la uneltele electrice alimentate de la rețea (cu cablu) sau cu acumulator (fără cablu).

MEDIUL DE LUCRU

- **Mențineți curată și bine iluminată zona de lucru.** Zonele dezordonate și întunecate prezintă pericol de accidente.
- **Nu operați cu unealta electrică în atmosfere explozive, precum în prezența lichidelor, gazelor sau a prafului inflamabil(e).** Unelele electrice creează scântei care pot aprinde praful sau vaporii.
- **Țineți copiii și persoanele din jur la distanță în timpul operării unei unelte electrice.** Distragerea atenției vă poate face să pierdeți controlul.

SIGURANȚĂ ELECTRICĂ

- **Ștecărele uneltelor electrice trebuie să se potrivească cu priza. Nu modificați niciodată ștecărul în nici un fel. Nu folosiți niciodată adaptoare de ștecăr cu uneltele electrice cu împământare.** Ștecărele nemodificate și prizele potrivite reduc riscul de electrocutare.
- **Evitați contactul corpului cu suprafețele conectate la împământare, precum țevi, radiatoare, reșouri, mașini de gătit și frigider.** Există un risc crescut de electrocutare când corpul dumneavoastră are contact cu împământarea.
- **Nu expuneți produsul la ploaie sau condiții de umiditate.** Apa care intră într-o unealtă electrică va crește riscul de electrocutare.
- **Nu forțați cablul. Nu trageți niciodată unealta**

electrică de cablul de alimentare pentru a o transporta, a o trage sau a scoate ștecărul din priză. Țineți cablul de alimentare departe de căldură, ulei, mυχii ascuțiți sau piese în mișcare. Cablurile deteriorate sau încurcate cresc riscul de electrocutare.

- **Atunci când lucrați cu o unealtă electrică în aer liber, folosiți un prelungitor adecvat pentru utilizarea în aer liber.** Folosirea unui prelungitor adecvat pentru utilizarea în aer liber reduce riscul de electrocutare.
- **În cazul în care operarea unei unelte electrice într-o zonă umedă nu poate fi evitată, folosiți o alimentare protejată cu un dispozitiv de curent rezidual (RCD).** Utilizarea unui RCD reduce riscul de electrocutare.

SIGURANȚĂ PERSONALĂ

- **Fiți vigilenți, fiți atenți la ceea ce faceți, acționați cu simț practic când operați o unealtă electrică. Nu folosiți unealta electrică în timp ce sunteți obosit sau sub influența drogurilor, a alcoolului sau a medicamentelor.** Un moment de neatenție în timpul operării uneltelor electrice poate cauza vătămare personală gravă.
 - **Utilizați echipament personal de protecție. Purtați întotdeauna ochelari de protecție.** Echipamentele de protecție, precum masca de praf, încălțăminte de protecție antiderapantă, casca sau protecția auditivă, folosite în condiții adecvate, vor reduce riscul rănilor.
 - **Prevenirea pornirii neintenționate. Asigurați-vă că comutatorul este în poziția oprit înainte deconectarea la sursa de alimentare și / sau la acumulator, ridicarea sau transportul uneltei.** Transportarea uneltelor electrice cu degetul pe comutator sau punerea sub tensiune a uneltelor electrice care au comutatorul în poziția pornit predis pune la accidente.
 - **Îndepărtați orice cheie de reglare înainte de a porni unealta.** O cheie sau rămasă atașată de o piesă rotativă a uneltei electrice poate cauza vătămări corporale.
 - **Nu vă aplecați excesiv. În timpul operării dispozitivului, păstrați-vă în permanentă echilibrul și stabilitatea.** Acest lucru permite un mai bun control al uneltei electrice în situații neașteptate.
 - **Îmbrăcați-vă corespunzător. Nu purtați haine largi sau bijuterii. Mențineți părul, hainele și mânușile departe de piesele în mișcare.** Hainele largi, bijuteriile sau părul lung pot fi prinse de piesele aflate în mișcare.
 - **Dacă sunt prevăzute dispozitive pentru conectarea facilităților de extracție și de colectare a prafului, asigurați-vă că acestea sunt conectate și folosite corect.** Utilizarea colectării prafului poate reduce riscurile legate de praf.
- ### FOLOSIREA ȘI ÎNTREȚINEREA UNELTEI ELECTRICE
- **Nu forțați produsul. Folosiți unealta electrică corectă pentru aplicație.** Unealta electrică corectă va funcționa mai bine și mai sigur la viteza pentru care a fost proiectată.
 - **Nu folosiți unealta electrică dacă comutatorul nu o poate porni și opri.** Orice unealtă electrică, care nu poate fi controlată cu comutatorul este periculoasă și trebuie reparată.





- **Deconectați ștecărul de la sursa de alimentare și / sau acumulatorul de la unealta electrică înainte de a efectua orice reglaje, a schimba accesorii sau de a stoca uneltele electrice.** Astfel de măsuri preventive de siguranță reduc riscul de pornire accidentală a unelei electrice.
- **Nu lăsați uneltele electrice la îndemâna copiilor și nu permiteți persoanelor nefamiliarizate cu unealta electrică sau cu aceste instrucțiuni să folosească unealta.** Uneltele electrice sunt periculoase în mâinile utilizatorilor neinstruiți.
- **Întrețineți uneltele electrice. Verificați alinierea sau lipirea pieselor în mișcare, spargerea pieselor, precum și orice altă stare care poate afecta funcționarea unelei electrice. Dacă este deteriorată, solicitați repararea unelei înainte de utilizare.** Multe accidente sunt cauzate de uneltele electrice întreținute necorespunzător.
- **Păstrați uneltele de tăiere ascuțite și curate.** Uneltele de tăiere corect întreținute, cu muchii de tăiere ascuțite au o probabilitate mai redusă de lipire și sunt mai ușor de controlat.
- **Folosiți unealta electrică, accesoriile și burghiile etc. în conformitate cu aceste instrucțiuni, ținând cont de condițiile de lucru și de lucrarea care urmează să fie efectuată.** Utilizarea unelei electrice pentru alte operații decât cele preconizate poate duce la situații periculoase.

FOLOSIREA ȘI ÎNTREȚINEREA MAȘINII CU ACUMULATOR

- **Reîncărcați numai cu încărcătorul specificat de producător.** Un încărcător destinat unui anumit tip de acumulator este folosit la încărcarea altor acumulatori există pericolul de incendiu.
- **Folosiți uneltele electrice numai cu acumulatorii indicați.** Utilizarea oricărui altă acumulatori poate crea un risc de vătămare și de incendiu.
- **Atunci când acumulatorul nu este în uz, păstrați-l departe de alte obiecte metalice, cum ar fi agrafe de birou, monede, chei, cuie, șuruburi sau alte obiecte metalice mici, care pot face o conexiune de la o bornă la alta.** Scurtcircuitarea bornelor bateriei poate provoca arsuri sau incendiu.
- **Ca urmare a folosirii necorespunzătoare, din acumulator se poate scurge lichid; evitați contactul cu acesta. În cazul unui contact accidental, spălați cu apă. În cazul contactului cu ochii, consultați suplimentar un medicul.** Lichidul care iese din acumulator poate provoca iritații sau arsuri.

ÎNȚEȚINERE

- **Solicitați efectuarea lucrărilor de service la unealta dvs. electrică numai de către o persoană calificată în reparații, folosind numai piese de schimb identice.** Acest lucru va garanta că siguranța unelei electrice este menținută.

AVERTIZĂRI DE SIGURANȚĂ ASUPRA APARATULUI DE STROPIT

- Nu stropiți lichide inflamabile precum benzină, pentru a reduce riscul de incendiu sau explozie.
- Urmați întotdeauna instrucțiunile chimice ale producătorului tipărite pe produsul lor cu privire la folosire, curățare și depozitare. Substanțele chimice trebuie depozitate ferite de copii.
- Nu stropiți niciun material unde pericolul nu este cunoscut.
- Pentru a reduce expunerea la materialele de stropit, purtați echipament de protecție aprobat, precum mască de față proiectată pentru stropit, mănuși și alt echipament de protecție corespunzător.
- Nu folosiți solvenți inflamabili sau agenți de curățare abrazivi pentru a curăța produsul.

⚠ AVERTISMENT

Țineți materialele de stropit ferite de ochi. Dacă materialele de stropit vin în contact cu ochii, spălați-i imediat cu apă curată. Dacă iritația e încă prezentă, cereți imediat ajutor medical.

AVERTIZĂRI SUPPLEMENTARE DE SIGURANȚĂ

- Nu lăsați niciodată copiii, persoanele cu capacități fizice, senzoriale sau mintale reduse sau cu lipsă de experiență și cunoștințe sau persoanele nefamiliarizate cu aceste instrucțiuni să folosească produsul.
- Fiți atent la orice pericole prezentate pe materialele de stropire. Înainte de folosirea oricărui pesticid sau alte materiale de stropit cu produsul, citiți cu atenție eticheta pe recipientul original și urmați instrucțiunile.
- Păstrați zona liberă de privitori, copii și animale de companie în timpul stropirii.
- Asigurați-vă că vergeaua de stropit este conectată fix la mânerul vergelei de stropit înainte de a folosi produsul. Dacă e necesar, folosiți cleștele pentru a atașa vergeaua de stropit la mânerul vergelei de stropit.
- Amintiți-vă să înlocuiți și strângeți corespunzător capacul rezervorului de stropit după ce ați turnat lichid în rezervor.
- Folosiți substanțe chimice comerciale pe bază de apă pentru gazon și grădină.
- Nu folosiți substanțe chimice din comerț sau substanțe chimice cu scop comercial sau industrial.
- Nu folosiți cu produsul lichide caustice (alcaline) ce se auto-aprind sau corozive. Acestea pot coroda piesele din metal sau slăbi rezervorul sau furtunul.
- Nu lăsați resturi sau material de stropit în rezervorul de stropit după folosirea produsului. Curățați după fiecare folosire.
- Nu turnați lichide fierbinți sau în fierbere în rezervorul de stropit. Acestea pot fi slăbi sau deteriora furtunul sau rezervorul.
- Nu umpleți excesiv rezervorul.
- Verificați întotdeauna să nu existe scurgeri. Dacă sunt găsite orice, corectați-le înainte de a folosi produsul.





- Zona de stropit trebuie să fie bine aerisită.
- Inspectați întotdeauna produsul în interior și exterior înainte de folosire.
- Lichidele de stropit trebuie să aiba consistența apei. Lichidele mai dense nu vor fi pulverizate corespunzător.
- Materialele de stropit trebuie pre-amestecate și turnate în rezervor folosind o pâlnie dacă e necesar.

OBSERVAȚIE: Când folosiți un recipient pentru măsurat altul decât cupa de măsurat, sau când folosiți o pâlnie pentru a umple rezervorul, curățați și clătiți bine aceste obiecte după folosire. Atunci când pre-amestecați materiale de stropit, clătiți recipientul folosit pentru amestec.

- Nu stropiți unde sunt prezente scântei, flacără deschisă sau surse de combustie.
- Nu stropiți în direcția persoanelor sau animalelor. Întotdeauna stropiți în direcția vântului.
- Nu fumați, mâncați sau beți în timpul folosirii produsului.
- Nu eliberați direct pe piele.
- Nu lăsați materialele de stropit să vină în contact cu pielea. Dacă are loc un contact, spălați imediat cu săpun și apă din belșug.
- Îndreptați duza direct înspre plantele sau obiectele ce doriți să le stropiți.
- Asigurați-vă că materialele de stropire sunt îndreptate într-o zonă ce nu va fi deteriorată de materialul de stropire.
- Evitați stropirea în zilele cu vânt. Materialele de stropit pot accidental fi aplicate pe plante sau obiecte ce nu trebuie stropite.
- Țineți materialele de stropit ferite de ochi. Dacă materialele de stropit vin în contact cu ochii, spălați-i imediat cu apă curată. Dacă iritația e încă prezentă, cereți imediat ajutor medical.
- Produsul poate fi operat cu mânerul vergelei de stropit agățat în suport, sau poate fi scos din suport și ținut de operator.
- Pericol electrocutare. Nu stropiți înspre prizele de curent.
- După fiecare folosire spălați-vă bine mâinile și orice zonă unde pielea a fost expusă cu lichidul pulverizat.
- Întreținerea produsului Inspectați complet atât partea interioară, cât și partea exterioară a produsului și verificați componentele înainte de fiecare folosire. Verificați furtunile să nu fie crăpate sau deteriorate, să nu existe scurgeri, duze înfundate sau piese lipsă sau deteriorate. Dacă e deteriorat, duceți produsul la reparat înainte de a-l folosi. Multe accidente sunt cauzate de produsele defectuos întreținute.
- Scoateți acumulatorul din produs înainte de a-l scurge, curăța sau depozita pentru a preveni pornirea accidentală.

Indică faptul că, la nivel național, ar putea fi necesară inspecția periodică a echipamentului, de către organisme competente, conform directivei 2009/128/EC a Parlamentului și Consiliului European din 21 octombrie 2009 pentru stabilirea unui cadru de lucru comunitar pentru utilizarea sustenabilă a pesticidelor.

AMESTECUL SOLUȚIEI PENTRU STROPIT

⚠ AVERTISMENT

Amestecați substanțele respectând cu strictețe instrucțiunile producătorului. Amestecurile incorect realizate pot produce vapori toxici sau soluții explozive.

- Nu stropiți niciodată plantele cu substanțe nediluate.
- Pregătiți soluția și umpleți recipientul în exterior sau într-o locație bine ventilată.
- Pregătiți cantitatea de soluție necesară pentru operația efectuată, astfel încât să nu rămâneți la final cu soluție neutilizată.
- Nu amestecați substanțe chimice diferite, cu excepția cazului în care amestecul este aprobat de producător.

UMPLEREA RECIPIENTULUI

- Așezați vermorelul pe o suprafață plană, orizontală. Nu umpleți recipientul peste indicatorul pentru nivelul maxim.
- Atunci când umpleți vermorelul cu apă, nu scufundați capătul furtunului în soluție. Scăderea bruscă a presiunii apei poate face ca soluția să fie aspirată în sus, pe furtun.
- Înainte de a umple recipientul cu soluție pentru stropit, realizați un test cu apă și verificați să nu existe scurgeri.
- După umplere, așezați capacul și strângeți-l bine.
- Atașați o etichetă la vermorel pe care să indicați ce substanță chimică se află în interior.

APLICAȚIE

- Lucrați doar în locații deschise sau bine ventilate, de ex. în sere deschise.
- Nu suflați niciodată (cu gura) în duze sau alte componente.
- Evitați contactul cu pesticidele și schimbați imediat hainele contaminate cu asemenea substanțe.
- Nu stropiți plantele atunci când bate vântul.
- Presiunea prea mare sau prea mică și condițiile meteo nefavorabile pot cauza schimbarea concentrației soluției. Supradozarea poate afecta negativ plantele și mediul înconjurător. Subdozarea poate fi inefficientă.
- Pentru a reduce riscul de afectare a plantelor și mediului înconjurător, nu utilizați vermorelul:
 - atunci când presiunea este prea mare sau prea mică
 - atunci când bate vântul
 - în lumină solară directă
- Pentru a reduce riscul de accidentare și deteriorare a vermorelului, nu îl utilizați niciodată cu:
 - lichide inflamabile
 - lichide vâscoase sau lipicioase
 - substanțe chimice caustice sau corozive
 - lichide cu temperatura mai mare de 50°C
- Evitați utilizarea produsului în condiții de temperatură negativă, deoarece soluția ar putea îngheța.



TRANSPORTAREA ȘI DEPOZITAREA

- Scoateți acumulatorul.
- Asigurați-vă că toate piesele sunt curate și uscate.
- Curățați toate materialele străine din produs.
- Goliți complet recipientul înainte de a transporta și depozita vermorelul.
- După fiecare utilizare, verificați componentele produsului în căutarea unor eventuale scurgeri. Trimiteți produsul la un centru de service autorizat în vederea reparării.
- Vergea de stropit poate fi depozitată în suport.
- Pentru transportare, fixați produsul împotriva mișcării sau căderii pentru a preveni vătămarea persoanelor sau deteriorarea produsului.
- Depozitați-l într-un loc răcoros, uscat și bine aerisit ce este inaccessibil copiilor. Nu-l depozitați în apropiere de agenți corozivi cum ar fi produși chimici de grădinarit sau săruri antigel. Nu depozitați în aer liber.

ÎNȚREȚINEREA

Evitați să folosiți solvenți pentru curățarea pieselor din plastic. Majoritatea pieselor din plastic sunt susceptibile să se deterioreze de la tipurile diferite de solvenți comerciali și pot fi deteriorate. Utilizați cârpe curate pentru a îndepărta praful, uleiul, vaselina etc.

⚠ ATENȚIE

Nu lăsați deloc lichidul de frână, benzina, produsele pe bază de petrol, uleiurile penetrante etc., să intre în contact cu piesele din plastic. Detergenții chimici pot deteriora, slăbi sau distruge plasticul, ce poate rezulta în vătămare personală gravă.

⚠ AVERTISMENT

Folositi doar piese de schimb, accesorii si atasamente originale ale producatorului Neurmarea acestora poate cauza posibila vătămare, slaba funcționare și ar putea anula garanția.

⚠ AVERTISMENT

Service-ul necesită atenție și cunoștințe deosebite și trebuie îndeplinit doar de către un tehnician service calificat. Pentru service sugerăm să returnați produsul la cel mai apropiat centru service autorizat pentru efectuarea reparațiilor. Când se efectuează service-ul folosiți doar piese de schimb identice.

⚠ AVERTISMENT

Pentru a evita vătămarea personală gravă, scoateți întotdeauna acumulatorul din produs atunci când curățați produsul sau efectuați întreținerea.

- Puteți face doar reglaje sau reparațiile descrise în acest manual. Pentru alte reparații, contactați agentul service autorizat.
- După fiecare folosire curățați produsul așa cum este

prescris în acest manual.

- Scurgeți și goliți rezervorul înainte de curățare.
- Scurgeți materialele de stropire prin zona de umplere.

OBSERVAȚIE: Scurgeți toate materialele de stropit din rezervorul de stropire într-un recipient aprobat pentru substanțe chimice. Nu depozitați substanțele chimice în rezervorul de stropit.

- Folosiți apă curată pentru a curăța și clăti rezervorul. Poate fi adăugată o cantitate mică de detergent mediu casnic
- Ștergeți produsul cu o cârpă curată și uscată.
- Ar putea fi necesar să clătiți rezervorul de stropit de mai multe ori.

ELIMINAREA

Nu aruncați niciodată resturile de substanțe chimice sau apa contaminată rezultată din clătire în lacuri, râuri, scurgeri sau canale.

Îndepărtați reziduurile chimice și recipientele goale în conformitate cu reglementările locale.

RISCURI REZIDUALE

Chiar dacă produsul este folosit așa cum a fost prescris, este totuși imposibil să se elimine complet anumii factori de risc reziduali. Următoarele pericole pot apărea în timpul folosirii și operatorul trebuie să acorde atenție specială pentru a evita următoarele:

- Electrocutare. Nu stropiți niciodată lichide înspre prizele electrice, cabluri sau aparate.
- Contactul cu substanțe periculoase. Materialele de stropit pot fi periculoase dacă sunt inhalate, înghițite sau intră în contact cu pielea sau ochii. Urmați instrucțiunile cu atenție și purtați echipament de protecție corespunzător așa cum este prescris în acest manual.

⚠ AVERTISMENT

Pot fi cauzate sau agravate vătămările de la folosirea prelungită a aparatului. Atunci când folosiți o sculă pentru perioade prelungite, asigurați-vă că luați pauze regulate.

CUNOAȘTEȚI-VĂ PRODUSUL

Vezi pagina 135.

PĂRȚI

1. Capac rezervor de stropire/cupă de măsurare
2. Mâner vergea de stropit
3. Buton pornire/oprire
4. Trăgaci cu blocare
5. Conexiune la baterie
6. Vergea de stropit
7. Duză
8. Furtun
9. Carcasă motor
10. Rezervor
11. Zăvor (x2)
12. Acumulator
13. Încărcător

SIMBOLURILE DE PE PRODUS.




-  Avertizare de siguranță
-  Citiți și înțelegeți toate instrucțiunile înainte de operarea produsului, urmați toate avertizările și instrucțiunile de siguranță.
-  Purtați întotdeauna ochelari de protecție
-  Purtați mască.
-  Purtați mănuși nealunecoase și rezistente la lichide.
-  Purtați întotdeauna încălțăminte de siguranță antiderapantă când utilizați acest produs.
-  Nu expuneți la ploaie sau umezeală.
-  Acest aparat este conform cu ansamblul normelor reglementare din țara din UE în care a fost cumpărat.
-  Marcaj de conformitate EurAsian
-  Semn de conformitate ucrainean
-  Deșeurile produselor electrice nu trebuie să fie eliminate împreună cu deșeurile casnice. Vă rugăm să reciclați acolo unde există facilități. Verificați la autoritatea dvs. locală sau la vânzător pentru sfaturi privind reciclarea.

ATENȚIE
(Fără a simbolul de alertă privind siguranța) Indică o situație care poate duce la pagube materiale.

SIMBOLURI DIN ACEST MANUAL

-  Opriti produsul.
-  Piedică
-  Deblocare
-  Piese sau accesorii vândute separat
-  Notă
-  Avertisment

Următoarele cuvinte de semnalizare sunt destinate a explica nivelele de risc asociate cu acest produs:

-  **PERICOL**
Indică o situație periculoasă iminentă, care dacă nu este evitată va cauza decesul sau vătămarea gravă.
-  **AVERTISMENT**
Indică o situație periculoasă iminentă, care dacă nu este evitată poate rezulta în deces sau vătămare gravă.
-  **ATENȚIE**
Indică o situație potențial periculoasă, care dacă nu este evitată poate cauza vătămarea moderată sau ușoară.



Šī bezvadu nezāļu smidzinātāja konstrukcijas galvenā prioritāte ir drošība, veiktspēja un uzticamība.

PAREDZĒTAIS LIETOJUMS

Nezāļu smidzinātājs ir paredzēts lietošanai ārā labi ventilētā zonā.

Produkts ir paredzēts patērētāju līmeņa mājas un dārza ķīmikāliju, piemēram, insekticīdu, fungicīdu, nezāļu iznīcinātāju un mēslojuma, smidzināšanai. Produktu var izmantot arī augu laistīšanai.

Neizmantojiet ierīci citiem nolūkiem, kas nav iepriekš uzskaitīti. Ierīci nedrīkst izmantot bērni vai personas bez atbilstošiem individuālajiem aizsardzības līdzekļiem un apģērba.

VISPĀRĪGIE DROŠĪBAS BRĪDINĀJUMI

⚠ BRĪDINĀJUMS

Izlasiet visus drošības brīdinājumus un norādījumus. Brīdinājumu un norādījumu neizpildīšana var izraisīt elektrisko triecienu, aizdegšanos un/vai smagu ievainojumu.

Brīdinājumus un instrukcijas saglabājiet turpmākai uziņai.

Nosaukums "elektroinstruments" brīdinājumos attiecas uz jūsu elektrisko (ar vadu) elektroinstrumentu vai ar akumulatoru darbināmo (bez vada) elektroinstrumentu.

DARBA VIETA

- Turiet darba vietu tīru un labi apgaismotu. Pārblīvētas un tumšas vietas izraisa negadījumus.
- Nedarbiniet elektroinstrumentus sprādzienbīstamā vidē, piemēram, degošu šķidrumu, gāzu vai putekļu klātbūtnē. Elektroinstrumenti rada dzirksteles, kas var aizdedzināt putekļus vai gāzes.
- Neļaujiet bērniem un blakusstāvētājiem tuvoties darbā esošiem elektroinstrumentiem. Izkļaidības dēļ jūs varat zaudēt kontroli.

ELEKTRODROŠĪBA

- Elektroinstrumenta kontaktdakšai jāatbilst kontaktilgzdai. Nekad nepārveidojiet kontaktdakšu. Sazemētiem elektroinstrumentiem nelietojiet pārejas ligzdas. Nepārveidotas kontaktdakšas un atbilstošas kontaktilgzdas samazinās elektriskā trieciena risku.
- Nepieļaujiet ķermeņa kontaktu ar sazemētām virsmām, piemēram, caurulēm, radiatoriem, pavadiem un saldētāvām. Ja jūsu ķermenis ir sazemēts, pastāv palielināts elektriskā trieciena risks.
- Nepakļaujiet precī lielum vai slapjiem apstākļiem. Ūdens iekļūšana elektroinstrumentā palielina elektriskā trieciena risku.
- Neizmantojiet kabeli nepareizi. Nekad neizmantojiet vadu, lai nestu, vilktu elektroinstrumentu vai atvienotu kontaktdakšu. Turiet kabeli tālu no siltuma avota, eļļas, asiem priekšmetiem vai kustīgām detaļām. Bojāts vai savērpts kabelis palielina elektriskā

trieciena iespēju.

- Strādājot ar elektroinstrumentu ārpus telpām, lietojiet āra lietošanai piemērotu pagarinātāju. Elektriskā trieciena risku samazina lietošanai ārpus telpām piemērota kabeļa izmantošana.
- Ja elektroinstruments ir jālieto mitrās telpās, izmantojiet strāvas noplūdes automātslēdzi (RCD) barošanas vadā. Paliekošās strāvas ierīces izmantošana samazina elektriskā trieciena risku.

PERSONISKĀ DROŠĪBA

- Uzmanieties darba laikā un izmantojiet veselo saprātu, darbojoties ar elektroinstrumentu. Neizmantojiet elektroierīci, ja esat noguris vai narkotisko vielu, alkohola vai medikamentu ietekmē. Neuzmanības brīdis, strādājot ar elektroinstrumentiem, var izraisīt smagus ievainojumus.
- Lietojiet personīgo aizsargaprīkojumu. Vienmēr lietojiet aizsargbrilles. Aizsargaprīkojums, piemēram, putekļu maska, nesliedoši aizsargapavi, aizsargķivere vai ausu aizsargi, kas lietoti atbilstošos apstākļos, samazina personas ievainojumu iespēju.
- Nepieļaujiet nejaūšu iedarbināšanu. Pirms pievienot enerģijas avotam un/vai akumulatoram, pacelt un pārvietot darbarīku, pārliecinieties, ka slēdzis ir izslēgtā stāvoklī. Elektroinstrumentu pārnēsāšana, turot pirkstu uz slēdža vai ieslēgtu elektroinstrumentu pārnēsāšana var izraisīt nelaimes gadījumu.
- Noņemiet visas regulēšanas uzgriežņu atslēgas pirms elektroierīces ieslēgšanas. Uzgriežņu atslēga vai atslēga, kas palikusi piestiprināta pie elektroinstrumenta rotējošās detaļas, var izraisīt personas ievainojumu.
- Neipersitēmpkite. Visu laiku stāviet stingri un stabili. Tas ļauj labāk vadīt elektroinstrumentu negaidītās situācijās.
- Apģērbieties pareizi. Nevalkājiet vaļīgu apģērbu vai rotaslietas. Turiet savus matus, apģērbu un cimdus tālu no kustīgām detaļām. Vaļīgs apģērbs, rotaslietas vai gari mati var tikt ierauti starp kustīgām detaļām.
- Ja ierīce ir aprīkota ar putekļu nosūcēja un savācēja pievienojumu, pārliecinieties, ka tas ir pievienots un tiek pareizi lietots. Putekļu savācēja lietošana var samazināt putekļu izraisītos riskus.

ELEKTROINSTRUMENTU LIETOŠANA UN APRŪPE

- Nepielietojiet spēku, izmantojot ražojumu. Izmantojiet savam darbam atbilstošu elektroierīci. Pareizais elektroinstruments veiks darbu labāk un drošāk ar ātrumu, kādam ticis konstruēts.
- Nelietojiet elektroinstrumentu, ja ar slēdzi to nevar ieslēgt un izslēgt. Ja elektroinstrumentu nevar vadīt ar slēdzi, tas ir bīstams un jāremontē.
- Atvienojiet kontaktdakšu no enerģijas avota un/vai akumulatoru no elektroinstrumenta pirms veikt jebkādas regulējumus, piederumu maiņu vai novietot glabāšanai elektroinstrumentus. Šādi profilakses pasākumi samazina elektroierīces nejaūšas iedarbināšanas iespēju.
- Glabājiet neizmantotus elektroinstrumentus





bērniem nepieejamās vietās un neļaujiet neapmācītām personām darboties ar elektroinstrumentiem. Elektroinstrumenti ir bīstami neapmācītu personu rokās.

- **Apkopt elektroinstrumentus.** Pārbaudiet kustīgo detaļu savienojumu pareizību, detaļu berzi un citus apstākļus, kas var ietekmēt elektroinstrumenta darbu. Ja elektroinstrumentus ir bojāts, pirms lietošanas veiciet tā remontu. Daudzus negadījumus izraisa slikti apkopti elektroinstrumenti.
- **Turiet griezējriņķus asus un tīrus.** Pareizi apkopti griezējriņķi ar asām griezējšķautnēm retāk pielīp un ir vieglāk vadāmi.
- **Izmantojiet elektroierīci, piederumus, darbinstrumentus u.c. saskaņā ar šiem norādījumiem, nemiet vērā darba apstākļus un veicamo darbu.** Elektroinstrumenta izmantošana neparedzētu darbību veikšanai var radīt bīstamu situāciju.

AR AKUMULATORU DARBINĀMU IERĪČU LIETOŠANA UN KOPŠANA

- **Uzlādējiet tikai ar ražotāja noteikto lādētāju.** Lādētājs, kas paredzēts lietošanai ar viena veida akumulatoru, var būt ugunsnedrošs, ja to izmanto ar citu akumulatoru.
- **Lietojiet elektriskos instrumentus tikai ar konkrētajai ierīcei paredzēto akumulatoru.** Jebkura cita akumulatora lietošana var radīt ievainojumu un ugunsgrēka risku.
- **Kad nelietojat akumulatoru, neturiet to citu metāla priekšmetu tuvumā, piemēram: papīra saspaušanas mašīnās, atslēgas, naglas, skrūves vai citi sīki metāla priekšmeti, kas var veidot savienojumu starp spailēm.** Akumulatora spaiļu īsslēgums var radīt aizdegšanos vai ugunsgrēku.
- **Nepareizas rīcības gadījumā no akumulatora var izkļūt šķidrums; izvairieties no saskares ar to. Nejaušas saskares gadījumā skalojiet skarto vietu ar ūdeni. Ja šķidrums nokļūst acīs, nepieciešama arī medicīniskā palīdzība.** No akumulatora izkļuvušais šķidrums var izraisīt kairinājumu vai apdegumus.

APKOPE

- **Vai jūsu elektroinstrumentu apkalpo kvalificēts personāls, izmantojot tikai identiskas rezerves daļas.** Tas nodrošinās elektroinstrumenta drošības saglabāšanu.

NEZĀĻU SMIDZINĀTĀJA DROŠĪBAS BRĪDINĀJUMI

- Lai samazinātu aizdegšanās vai eksplozijas risku, nesmidziniet uzliesmojošus šķidrumus, piemēram, benzīnu.
- Vienmēr ievērojiet ķīmiskās vielas ražotāja lietošanas, tīrīšanas un glabāšanas norādes, kas ir nodrukātas uz produkta marķējuma. Ķīmiskās vielas jāglabā bērniem nepieejamā vietā.
- Nesmidziniet vielas, kuru bīstamības faktori nav zināmi.
- Lai samazinātu smidzināšanas materiālu ietekmi,

izmantojiet apstiprinātu aizsargaprīkojumu, piemēram, smidzināšanai paredzētu sejas masku, cimdus un citu atbilstošu aizsargaprīkojumu.

- Produkta tīrīšanai neizmantojiet uzliesmojošus šķīdinātājus vai abrazīvus tīrīšanas līdzekļus.

⚠ BRĪDINĀJUMS

Smidzināšanas materiālus netuviniet acīm. Ja smidzināšanas materiāli nonāk saskarē ar acīm, nekavējoties mazgājiet tās ar tīru ūdeni. Ja kairinājums saglabājas, nekavējoties meklējiet medicīnisko palīdzību.

PAPILDU DROŠĪBAS BRĪDINĀJUMI

- Nekad neļaujiet bērniem, cilvēkiem ar samazinātām fiziskajām spējām, maņu vai garīgiem traucējumiem, vai cilvēkiem ar pieredzes un zināšanu trūkumu, vai cilvēkiem, kuri nav iepazīlušies ar instrukcijām, izmantot šo ierīci.
- Apzinieties visus riskus, ko rada smidzināšanas materiāli. Pirms pesticīdu vai citu smidzināšanas materiālu lietošanas ar šo produktu rūpīgi izlasiet marķējumu uz oriģinālā konteina un ievērojiet norādījumus.
- Smidzināšanas laikā zonā nedrīkst atrasties nepiederības personas, bērni un dzīvnieki.
- Pirms produkta lietošanas pārliecinieties, vai smidzināšanas stienis ir stingri pievienots sprauslas stienja rokturim. Ja nepieciešams, izmantojiet knaibles, lai smidzināšanas stieni nostiprinātu pie smidzināšanas stienja roktura.
- Pēc šķidruma ielešanas smidzināšanas tvertnē atcerieties pareizi uzlikt un pievilkt smidzināšanas tvertnes vāku.
- Izmantojiet tikai patērētāju kategorijas ūdens bāzes mauriņa un dārza ķīmikālijas.
- Neizmantojiet komerciekategorijas ķīmikālijas, kā arī komerciāliem vai rūpnieciskiem nolūkiem paredzētas ķīmikālijas.
- Ar šo produktu neizmantojiet kaustiskus (sārnu) pašuzsilsošus vai korozīvus (skābju) šķidrumus. Tie var izraisīt metāla daļu koroziju vai novājināt tvertni un šļūteni.
- Pēc produkta lietošanas pārpalikumus vai smidzināšanas materiālus neatstājiet smidzināšanas tvertnē. Izīriiet pēc katras lietošanas.
- Neļiejiet smidzināšanas tvertnē karstus vai vārošus šķidrumus. Tie var novājināt vai sabojāt šļūteni vai smidzināšanas tvertni.
- Nepārpildiet tvertni.
- Vienmēr pārbaudiet, vai nav noplūdes. Ja konstatējat problēmas, novērsiet tās pirms produkta lietošanas.
- Smidzināšanas zonā ir nepieciešama laba ventilācija.
- Pirms katras lietošanas vienmēr pārbaudiet produkta iekšpusi un ārpusi.
- Smidzināmajiem šķidrumiem jābūt tik šķīdriem kā ūdenim. Biezāki šķidrumi nesmidzinās pareizi.





- Ja nepieciešams, smidzināšanas materiālus var iepriekš sajaukt un ieliet smidzināšanas tvertnē, izmantojot piltuvi.

PIEZĪME: Ja lietojat citu mērierīci, kas nav mērtrauks vai ja lietojat piltuvi tvertnes piepildīšanai, tad rūpīgi nofriet un nosusiniet šīs ierīces pēc to lietošanas. Ja smidzināšanas materiālus sajauciet iepriekš, izskalojiet jaukšanai izmantoto konteineru.

- Nesmidziniet vietās, kur ir dzirksteles, liesmas vai citi aizdegšanās avoti.
- Nesmidziniet cilvēku vai dzīvnieku virzienā. Vienmēr smidziniet vēja virzienā.
- Produkta lietošanas laikā nesmekājiet, neēdiet un nedzeriet.
- Neizvadiet tieši pret ādu.
- Nepieļaujiet smidzināšanas materiālu saskari ar ādu. Ja notikusi saskare, nekavējoties mazgājiet lielā ūdens daudzumā ar ziepēm.
- Sprauslu vērsiet tieši uz augiem vai priekšmetiem, kurus vēlaties apsmidzināt.
- Pārlicinieties, vai smidzināšanas materiāli tiek virzīti uz zonu, kuru tie nesabojās.
- Izvairieties no smidzināšanas vējinās dienās. Smidzināšanas materiāli nejausi var tikt uzpūsti uz augiem vai priekšmetiem, kurus nevajag apsmidzināt.
- Smidzināšanas materiālus netuviniet acīm. Ja smidzināšanas materiāli nonāk saskarē ar acīm, nekavējoties mazgājiet tās ar tīru ūdeni. Ja kairinājums saglabājas, nekavējoties meklējiet medicīnisko palīdzību.
- Produktu var izmantot ar smidzināšanas stieņa rokturi, kas balstās spraudnē, vai arī to var izņemt no spraudnes un turēt operators.
- Elektrošoka risks. Nesmidziniet elektrības kontaktligzdu virzienā.
- Pēc katras lietošanas rūpīgi nomazgājiet rokas un visas ādas vietas, kuras, iespējams, ir apsmidzinātas.
- Veiciet produkta apkopi. Pirms katras lietošanas rūpīgi pārbaudiet produkta iekšpusi, ārpusi un komponentus. Pārbaudiet, vai šļūtenēm nav plaisu un nolietojuma, noplūžu, sprauslu nosprostojumu, vai daļas nav pazudušas vai bojātas. Ja izstrādājums ir bojāts, pirms lietošanas nepieciešams remonts. Daudzus negadījumus izraisa izstrādājumi, kuriem nav pienācīgi veikta apkope.
- Pirms iztukšošanas, tīrīšanas vai glabāšanas izņemiet akumulatoru no produkta, lai novērstu netīšu ieslēgšanos.

Norāde, ka iekārta var būt pakļauta nacionālai likumdošanai par apstiprinātu iestāžu regulārām pārbaudēm, kā norādīts Eiropas parlamenta un Padomes 2009. gada 21. oktobra Direktīvā 2009/128/EC, kas nosaka likumdošanas struktūru Kopienas darbībām ilgtspējīgas pesticīdu lietošanas sasniegšanai.

IZSMIDZINĀMĀ ŠĶĪDUMA SAJAUKŠANA

⚠ BRĪDINĀJUMS

Sajauciet ķīmikālijas, stingri ievērojot ražotāja norādes. Nepareizi šķīdumi var radīt toksiskus izgarojumus vai eksplozīvus šķīdumus.

- Nekad neizsmidziniet augu kontroles ķīmikāliju šķīdumus nešķaidītā veidā.
- Sagatavojiet šķīdumu un piepildiet tvertni tikai ārpus telpām vai labi ventilētās vietās.
- Sagatavojiet tikai tik daudz šķīduma, lai varētu pabeigt pašreizējo darbu un nekas nepaliktu pāri.
- Nejauciet kopā dažādas ķīmikālijas, ja vien šādu sajaukumu nav apstiprinājis ražotājs.

TVERTNES UZPILDĪŠANA

- Novietojiet izsmidzinātāju uz līdzenas virsmas, neuzpildiet tvertni virs maksimālās atzīmes.
- Uzpildot tvertni no centralizētas ūdens padeves, neiegremdējiet uzpildes caurules galu šķīdumā. Pēkšņs spiediena kritums sistēmā var izraisīt šķīduma iesūkšanu ūdens padeves sistēmā.
- Pirms konteineru uzpildes ar izsmidzināmo šķīdumu, veiciet pārbaudi ar tīru ūdeni, lai pārbaudītu vai kādai no izsmidzinātāja daļām nav noplūdes.
- Pēc uzpildes, uzlieciet vietā tvertnes vāku un kārtīgi to pievelciet.
- Pieļieciet tvertnei birku ar piezīmi, kāda ķīmikālija tiek izmantota.

PIELIETOJUMS

- Strādājiet tikai atvērtā vidē vai labi vēdināmās telpās, piemēram atvērtās siltumnīcās.
- Nekad neizpūti sprauslas vai citas detaļas ar muti.
- Izvairieties no saskarsmes ar augu kontroles ķīmikālijām, nekavējoties nomainiet apģērbu, kas piesārņots ar augu kontroles ķīmikālijām.
- Neveiciet smidzināšanu vējinātos apstākļos.
- Pārāk liels vai pārāk zems spiediens vai nelabvēlīgi laika apstākļi var izraisīt nepareizu šķīduma koncentrāciju. Pārdozēšana var sabojāt augus un apkārtējo vidi. Pārdozēšana var izraisīt neveiksmīgu augu apstrādi.
- Lai samazinātu bojājumu risku apkārtējai videi un augiem, neizmantojiet izsmidzinātāju:
 - ja spiediens ir pārāk augsts vai pārāk zems
 - vējinātos apstākļos
 - tiešos saules staros
- Lai samazinātu negadījumu risku un izsmidzinātāja bojājumu iespēju, nekad neizmantojiet izsmidzinātāju ar:
 - uzliesmojošiem šķīdumiem
 - viskoziem vai lipīgiem šķīdumiem
 - sārmainām vai korozīvām ķīmikālijām
 - šķīdumiem, kas karstāki par 50°C
- Izvairieties no produkta lietošanas sala apstākļos, jo šķīdums var sasalt.



TRANSPORTĒŠANA UN UZGLABĀŠANA

- Noņemiet akumulatoru.
- Pārlicinieties, vai visas daļas ir tīras un sausas.
- Notīriet visus svešķermeņus no izstrādājuma.
- Nolejiet no izsmidzinātāja tvertnes visus izsmidzināšanas materiālus pirms tā novietošanas glabāšanai vai pārvadāšanai.
- Pēc katras lietošanas, pārbaudiet vai kādai no produkta detaļām nav noplūdes. Nododiet produktu pilnvarotam servisa centram remontam, ja tāds ir nepieciešams.
- Smidzināšanas stieni var glabāt spraudnē.
- Transportējot nostipriniet ierīci, lai tā nekustētos un neapgāztos, jo tas var izraisīt miesas bojājumus un ierīces bojājumus.
- Uzglabājiet to vēsā, sausā un labi vēdinātā vietā, kurai nevar piekļūt bērni. Neglabājiet to vietā, kur tuvumā atrodas korozīvas vielas, piemēram dārza darbos izmantojamas ķīmikālijas vai atsaldēšanai domāta sāls. Neuzglabājiet ārpus telpām.

APKOPE

Tirot plastmasas detaļas, nelietojiet šķīdinātājus. Komerציניai tīrīkliai lengvai pažeidzīa daugelj plastikiņu daliu paviršiu ir gali jas apgadinti. Lietojiet tīru audumu, lai notīrītu neītrumus, puteklus, smērvielas u.c.

⚠ UZMANĪBU

Neļaujiet bremžu šķidrūmam, benzīnam, naftas produktiem, smērvielām u.c. saskarties ar plastmasas detaļām. Ķīmiskie līdzekļi var sabojāt vai iznīcināt plastmasas elementus, kas savukārt var radīt smagus miesas bojājumus.

⚠ BRĪDINĀJUMS

Lietojiet tikai oriģinālās ražotāja rezerves daļas, piederumus un uzgaļus. Pretējā gadījumā var tikt radīti ievainojumi un parādīts slikts sniegums, kā arī var tikt anulēta garantija.

⚠ BRĪDINĀJUMS

Aptarnavimā atlikti būtina itin atidzīai, todēl rekomēduojame, kad tehniņē apziūrā vykdytų kvalifikuotas specialistas. Techninei apziūrai atlikti patariame gražinti prietaisā j artimiausiaj īgaliot ā paslaugų teikimo tarnyb ā. Sugēdusias detales keiskite tik oriģinaliomis detalēmīs.

⚠ BRĪDINĀJUMS

Lai izvairītos no nopietnām traumām, vienmēr atvienojiet akumulatoru no izstrādājuma pirms tīrīšanas vai apkopes darbiem.

- Jūs varat veikt tikai šajā rokasgrāmatā aprakstīto regulēšanu un remontdarbus. Lai veiktu citus remontdarbus, sazinieties ar pilnvarotu servisa darbinieku.

- Pēc katras lietošanas notīriet produktu atbilstoši šajā rokasgrāmatā ietvertajām norādēm.
- Pirms tīrīšanas izteciniet un iztukšojiet smidzināšanas tvertni.
- Smidzināšanas materiālus izvadiet caur uzpildīšanas zonu.

PIEZĪME: Noteciniet visus izsmidzināmos materiālus no izsmidzināšanas tvertnes ķīmikālijām paredzētā tvertnē. Ķīmiskās vielas neglabājiet smidzināšanas tvertnē.

- Smidzināšanas tvertnes tīrīšanai un skalošanai lietojiet tīru ūdeni. Var pievienot nelielu daudzumu maiga sadzīves tīrīšanas līdzekļa.
- Noslaukiet produktu ar tīru, sausu drānu.
- Smidzināšanas tvertne, iespējams, jāizskalo vairākas nekā vienreiz.

LIKVIDĒŠANA

Nekad neizlejiet ķīmikāliju atlikumu vai piesārņotus skalošanas šķidrumus ūdens tilpnēs, notekās, kanalizācijā, ielu notekās vai akās.

Utilizējiet ķīmikāliju atlikumus un izmantotos iepakojumus saskaņā ar vietējiem atkritumu utilizācijas noteikumiem.

OBJEKTĪVIE RISKI

Pat ka prece ir lietotā kā noteikts, nav iespējams pilnībā novērst noteiktus riska faktorus. Lietošanas laikā var rasties šādas bīstamas situācijas, un lietotājam ir jāpievērš pastiprināta uzmanība, lai tās novērstu:

- Elektrošoks. Nekad nesmidziniet šķidrūmu elektrisko kontaktlīdzdu, kabeļu vai ierīču virzienā.
- Saskaņā ar bīstamām vielām. Smidzināšanas materiāli var būt kaitīgi, ja tiek ieelpoti, norīti vai nonāk saskarē ar ādu vai acīm. Rūpīgi ievērojiet norādes un izmantojiet atbilstošu aizsargaprīkojumu (kā norādīts šajā rokasgrāmatā).

⚠ BRĪDINĀJUMS

Ilgstoša preces lietošana var radīt ievainojumus vai pasliktināt jau esošos. Ilgstoši lietojot jebkuru instrumentu, pārlicinieties, ka tiek veikti regulāri pārtraukumi.

PAZĪSTIET SAVU IERĪCI

Skatīt 135. lappusi

DAĻAS

1. Smidzināšanas tvertnes vāks/mērtrauks
2. Smidzināšanas stieņa rokturis
3. Ieslēgšanas/izslēgšanas poga
4. Mēlīte ar fiksatoru
5. Akumulatora savienojuma ligzda
6. Smidzināšanas stienis
7. Sprausla
8. Šjūtene
9. Motora apvalks
10. Tvertne
11. Fiksators (x2)
12. Akumulators
13. Lādētājs

UZ PRECES ESOŠIE SIMBOLI



Drošības brīdinājums



Pirms preces darbināšanas izlasiet un izprotiet visus norādījumus, ievērojiet visus brīdinājumus un drošības norādījumus.



Valkājiet acu aizsargaprīkojumu



Uzlieciet masku.



Nēsājiet neslīdošus, pret šķidrums ietekmi noturīgus cimdus.



Kad izmantojat šo izstrādājumu, lietojiet neslīdošus aizsargapavus.



Nepakļaujiet lietum vai mitriem apstākļiem.



Darbarīks atbilst visām normām ES valstī, kurā tas ir iegādāts.



EurAsian atbilstības marķējums



Ukrainas apstiprinājuma zīme



Izlietotie elektroprodukti nedrīkst tikt izmesti kopā ar mājtsaimniecības atkritumiem. Lūdzu, nododiet tos attiecīgajās atk ār tolas izmantošanas vietās. Sazinieties ar savu vietējo varas pārstāvi vai izplatītāju, lai noskaidrotu, kur iespējama atkārtota pārstrāde.

Šādi signālvārdi un nozīmes ir paredzētas, lai izskaidrotu ar precī saistītā riska līmeņus:



BĪSTAMI

Norāda draudošo bīstamo situāciju, kas, ja no tās neizvairās, var novest pie nāves vai nopietnas traumas.



BRĪDINĀJUMS

Norāda potenciālo bīstamo situāciju, kas, ja no tās neizvairās, var novest pie nāves vai nopietnas traumas.



UZMANĪBU

Norāda potenciālo bīstamo situāciju, kas, ja no tās neizvairās, var novest pie nelielas vai vidējas traumas.

UZMANĪBU

(Bez drošības brīdinājuma apzīmējuma) Norāda uz situāciju, kas var radīt traumu bojājumus.

SIMBOLI ŠAJĀ ROKASGRĀMATĀ



Apturēt dzinēju.



Blokētājs



Atbloķēt



Atsevišķi nopērkamās daļas vai piederumi



Piezīme



Brīdinājums



Projektuojant belaidį piktžolių purkštuvą, aukščiausias prioritetas suteiktas saugai, eksploatacinėms savybėms ir patikimumui.

NAUDOJIMO PASKIRTIS

Piktžolių purkštuvą skirtas naudoti lauke, gerai vėdinamoje vietoje.

Gaminys skirtas purkšti nepramonines namų ir sodo bei daržo chemines priemones, tokias kaip insekticidai, fungicidai, piktžolių naikinimo priemonės ir trąšos. Gaminį taip pat galima laistyti augalus.

Nenaudokite grandininio pjūklo jokiai kitai, aukščiau nenurodytai paskirti. Grandininio pjūklo negali naudoti vaikai ar asmenys, nedėvintys atitinkamų asmeninės apsaugos priemonių ir aprangos.

BENDRIEJI SAUGOS ĮSPĖJIMAI

ĮSPĖJIMAS

Perskaitykite visus saugos įspėjimus ir visą instrukciją. Įspėjimų ir instrukcijų nesilaikymas gali sukelti elektros smūgį, gaisrą ir (ar) rimtus sužeidimus.

Saugokite šiuos įspėjimus ir nurodymus, kad galėtumėte vadovautis jais vėliau.

Įspėjimuose nurodytas terminas „elektrinis įrankis“ reiškia elektrinio įrankio naudojimą, jį prijungus prie maitinimo tinklo (laidu) arba maitinimo baterijos (belaidis).

DARBO APLINKA

- Darbo vieta turi būti švari ir gerai apšviesta. Nelaimingi atsitikimai įvyksta netvarkingose ar tamsiose vietose.
- Nenaudokite elektrinių įrankių, jei šalia yra degios ir sprogti galinčios medžiagos (skysčiai, dujos ar dulkės). Elektriniai įrankiai kibirkščiuoja ir gali uždegti dulkes arba garus.
- Neleiskite vaikams ir šalia esantiems asmenims būti šalia įjungto elektrinio įrankio. Išsiblaškę galite prarasti kontrolę.

ELEKTROS SAUGA

- Elektrinio įrankio kištukai turi atitikti kištukinį lizdą. Niekada nekeiskite kištuko. Su įžemintais (įžeminimo) elektriniais įrankiais niekada nenaudokite kištukų adapterių. Nepakeisti kištukai ir atitinkantys lizdai sumažina elektros smūgio pavojų.
- Stenkitės nesiliesti prie įžemintų ar įžeminimo paviršių (vamzdžių, radiatorių, grandinių / viryklių, šaldytuvų). Įžeminius savo kūną, padidės elektros smūgio pavojus.
- Gaminio negalima naudoti ar laikyti lietuje ar drėgmėje. Dėl vandens, patekusio į elektrinį įrankį, padidėja elektros smūgio pavojus.
- Laidą naudokite pagal jo paskirtį. Niekada jo nenaudokite elektriniams įrankiams pernešti, tempti ar išjungti. Saugokite maitinimo laidą nuo karščio, tepalų, aštrių kampų ir judančių detalių. Pažeisti ar supainioti laidai padidina elektros smūgio galimybę.

- Dirbdami su elektriniu įrankiu lauke, naudokite tik lauke naudoti skirtus ilginamuosius laidus. Naudojant tinkamą laukui laidą sumažinama elektros smūgio tikimybė.
- Jei būtina naudotis elektriniu įrankiu drėgnomis oro sąlygomis, naudokite likutinės srovės prietaisą (RCD). Naudojant RCD sumažinama elektros smūgio tikimybė.

ASMENINĖ SAUGA

- Būkite budrūs ir stebėkite, ką darote, bei sąmoningai naudokite elektrinį įrankį. Nesinaudokite įrankiu, kai esate pavargę ar paveikti narkotinių medžiagų, alkoholio ar vaistų. Neatidumas darbo su elektriniu įrankiu metu gali sukelti sunkius sužeidimus.
- Naudokite asmeninės apsaugos įrangą. Visada dėvėkite akių apsaugos priemones. Atitinkamomis sąlygomis naudojamos apsaugos priemonės, pvz. dulkių kaukė, neslystantys apsauginiai batai, šalmas ar apsaugos ausims, sumažina asmeninių sužeidimų pavojų.
- Saugokitės, kad įrankis netyčia neįsijungtų. Įsitikinkite, kad prieš prijungiant įrankį prie maitinimo šaltinio ir (ar) baterijos, pakeliant ar nešant įrankį, jungiklis yra išjungtas. Nešant elektrinį įrankį, uždėjus pirštą ant jungiklio, arba elektrinį įrankį, kurio jungiklis yra įjungtoje padėtyje, gali įvykti nelaimingas atsitikimas.
- Prieš įjungiant elektrinį įrankį, išimkite derinimo raktą ar veržliaraktį. Jei juos paliksite pridėtus prie besisukančios įrankio dalies, galite susižaloti.
- Nepersitempkite. Visada tvirtai stovėkite ir išlaikykite pusiausvyrą. Tai padės geriau kontroliuoti įrankį netikėtų situacijų metu.
- Dėvėkite tik darbui tinkamus drabužius. Nedėvėkite laisvų, neprigludusių drabužių ir juvelyrinių dirbinių. Saugokite plaukus, drabužius ir pirštines toliau nuo judančių dalių. Laisvi drabužiai, papuošalai ar ilgi plaukai gali įsipainioti į judančią įrankio dalį.
- Jei įrengti dulkių ištraukimo ir surinkimo įrenginiai, įsitikinkite, kad jie prijungti ir naudojami tinkamai. Su dulkėmis susijusiam pavojui sumažinti naudokite dulkių surinkimą.

ELEKTRINIO ĮRANKIO NAUDOJIMAS IR PRIEŽIŪRA

- Nenaudokite per didelės jėgos. Pritaikykite tinkamą elektrinį įrankį atliekamam darbui. Naudodami pagal paskirtį pagamintą tinkamą elektrinį įrankį, darba atliksite geriau ir saugiau.
- Nenaudokite elektrinio įrankio, jei jungiklio negalite įjungti ir išjungti. Jungikliu nevaldomas elektrinis įrankis yra pavojingas ir jį reikia taisyti.
- Prieš sureguliuojant įrankį, keičiant atsargines dalis ar sandėliavimą atjunkite laidą nuo maitinimo šaltinio ir (ar) akumuliatoriaus. Tokios saugumo priemonės apsaugos nuo atsitiktinio įrankio įsijungimo.
- Laikykite elektrinį įrankį vaikams neprieinamoje vietoje ir neleiskite juo naudotis asmenims, kurie nemoka juo naudotis. Neįgudusiems asmenims elektriniai įrankiai yra pavojingi.





- **Pržiūrėkite elektrinius įrankius. Patikrinkite judančių detalių nesutapimus, sukibimą, ar sumontuotos detalės nesulūžusios bei kitą būklę, kuri gali turėti neigiamos įtakos įrankio veikimui. Jei įrankis sugedęs, prieš naudojimą jį reikia suremontuoti. Nemažai nelaimingų atsitikimų įvyksta dėl netinkamai prižiūrimų elektrinių įrankių.**
- **Pjovimo įrankius reikia pastoviai galasti ir valyti.** Tinkamai prižiūrėti aštriais ašmenimis pjovimo įrankiai mažiau stringa ir juos lengviau valdyti.
- **Naudokite elektrinius įrankius, atsargines detales, gražtus ir t. t., pagal šias instrukcijas ir atsižvelgdami į darbo sąlygas bei turimą atlikti darbą.** Naudokite elektrinį įrankį tik pagal tiesioginę paskirtį, kitaip sukelsite pavojingą situaciją.

ĮRANKIO SU AKUMULIATORIUMI NAUDOJIMAS IR PRIEŽIŪRA

- **Pakartotinai kraukite prietaisą tik naudodami gamintojo nurodytą kroviklį.** Vieno tipo akumuliatoriui tinkantis įkroviklis gali kelti gaisro pavojų kitokiam akumuliatoriui.
- **Elektrinius įrankius naudokite tik su jiems skirtais baterijų paketais.** Naudojant kitokius akumulatorius, galima susižeisti ar sukelti gaisrą.
- **Kai akumuliatorius nenaudojamas, jį laikykite toliau nuo kitų metalinių daiktų, pavyzdžiui, sąvaržėlių, monetų, raktų, vinių, varžtų ar kitų mažų metalinių daiktų, kurie vieną gnybtą gali sujungti su kitu.** Sutrupinius vieną akumuliatoriaus gnybtą su kitu, galima nusideginti arba sukelti gaisrą.
- **Netinkamomis sąlygomis iš akumuliatoriaus gali ištėkėti skystis - nelieskite jo. Jei atsitiktinai prisilietėte - nuplaukite vandeniu. Jei skystis pateko į akis, papildomai kreipkitės į gydytoją.** Iš akumuliatoriaus ištekėjęs skystis gali nudeginti ar sukelti sudirginimus.

TECHNINIS APTARNAVIMAS

- **Elektrinį įrankį turi remontuoti tik kvalifikuoti darbuotojai, kurie naudoja identiškas atsargines dalis.** Tai užtikrina elektrinio įrankio saugumą.

PIKTŽOLIŲ PURKŠTUVO SAUGOS ĮSPĖJIMAI

- **Nepurkšti degių skysčių, tokių kaip benzinas, kad gaisro ar sprogdimo pavojus būtų kuo mažesnis.**
- **Būtinai vadovaukitės cheminės priemonės gamintojo nurodymais, pateiktais ant gaminio naudojimo, valymo ir laikymo etikečių. Chemines priemones reikia laikyti vaikams nepasiekiamoje vietoje.**
- **Nepurkšti jokios medžiagos nežinant apie jos keliamą pavojų.**
- **Kad purškiamų medžiagų patektų kuo mažiau, reikia dėvėti patvirtintas saugos priemones, tokias kaip purškimo skirta apsauginė veido kaukė, pirštinės ir kitos tinkamos apsauginės priemonės.**
- **Gaminio valymui nenaudoti degių tirpiklių ar abrazyvinių valymo medžiagų.**

⚠ ĮSPĖJIMAS

Saugoti akis nuo purškimo medžiagų. Purškimo medžiagoms patekus į akis, nedelsiant jas praplauti švariu vandeniu. Jeigu dirginimas nesiliauja, nedelsiant kreiptis pagalbos į gydytoją.

PAPILDOMI SAUGOS ĮSPĖJIMAI

- **Jokiu būdu neleiskite naudoti krūmapjovės vaikams, asmenims su fiziniais, jutimaisiais ar psichiniais sutrikimais, ar žmonėms, neturintiems reikiamos patirties ir žinių, arba nesusipažinusiems su šiomis instrukcijomis.**
 - **Žinokite, kokius pavojus gali kelti purškiamos medžiagos. Prieš purškiant gaminiu pesticidus ar kitas medžiagas, reikia atidžiai perskaityti etiketę ant originalios pakuotės ir vadovautis nurodymais.**
 - **Purškiamame plote negali būti pašalinių asmenų vaikų ir gyvūnų.**
 - **Prieš naudodami gaminį, patikrinkite, ar purškimo svirtelė saugiai pritvirtinta prie jai skirtos rankenėlės. Jei reikia, tvirtinti purškimo svirtelę prie jai skirtos rankenėlės replėmis.**
 - **Įpylus skysčio į purškimo rezervuarą, būtinai reikia pakeisti ir sandariai uždėti rezervuaro dangtelį.**
 - **Naudoti tik nepramonines vandenines vejų ir sodo bei daržo purškimo chemines priemones.**
 - **Nenaudoti komercinių cheminių priemonių ar komercinės ar pramoninės paskirties chemikalų.**
 - **Nepilti į gaminį kaustinių (šarminių) savaimė įkaistančių ar koroziją keliančių (rūgštinių) skysčių. Jos gali būti metalines dalis arba pakenkti rezervuarą ir žarną.**
 - **Panaudojus gaminį negalima palikti likučio ar purškiamos medžiagos purškimo rezervuare. Valyti po kiekvieno naudojimo.**
 - **Nepilti į purškimo rezervuarą karštų ar verdančių skysčių. Jos gali pakenkti ar pažeisti žarną ar purškimo rezervuarą.**
 - **Neperpildyti rezervuaro.**
 - **Visada būtinai patikrinkite, ar skystis neprateka. Pastebėjus, pataisyti prieš naudojant gaminį.**
 - **Purškiamas plotas turi būti gerai vėdinamas.**
 - **Prieš kiekvieną naudojimą būtinai apžiūrėkite gaminį iš vidaus ir išorės.**
 - **Purškiami skysčiai turi būti skysti kaip vanduo. Tirštesni skysčiai nebus reikiamai purškiami.**
 - **Purškimo medžiagas galima parengtinai sumaišyti ir, jei būtina, supilti į purškimo rezervuarą per piltuvėlį.**
- PASTABA:** Panaudojus dozavimo tarą kitai paskirčiai nei dozavimo puodelis arba piltuvą talpyklai pripildyti, juos reikia kruopščiai išplauti ir išskalauti. Prieš pradėdant maišyti purškimo medžiagas, reikia praskalauti maišymo talpyklą.
- **Nepurkšti, kur yra kibirkščių, liepsnų ar kitų užsidegimo šaltinių.**
 - **Nepurkšti į žmones ar gyvūnus. Purškite tik pavėjui.**
 - **Naudojant gaminį negalima rūkyti, valgyti ar gerti.**





- Nepilti tiesiai ant odos.
- Purškimo medžiagos negali susiliesti su oda. Patekus, nedelsiant nuplauti muilu ir gausiu kiekiu vandens.
- Nukreipkite antgalį tiesiai į augalus ir purškiamus objektus.
- Patikrinkite, ar purškiamos medžiagos nukreiptos į plotą, kurio jos nepažeis ir neapgadins.
- Nepurškite gaminio vėjuotu oru. Purškiamos medžiagos gali netyčia patekti ant augalų ar objektų, kurių nereikia purkšti.
- Saugoti akis nuo purškimo medžiagų. Purškimo medžiagoms patekus į akis, nedelsiant jas praplauti švariu vandeniu. Jeigu dirginimas nesiliauja, nedelsiant kreiptis pagalbos į gydytoją.
- Gaminį galima valdyti purškimo svirtelės rankenėle, įtaisyta į atramą arba nuimti nuo atramos ir naudotoji laikyti rankomis.
- Elektros smūgio pavojus. Nepurkšti į elektros lizdus.
- Po kiekvieno naudojimo kruopščiai nusiplaukite rankas ir kitas vietas, kurios lietsi su purškalu.
- Prižiūrėkite gaminį. Prieš kiekvieną naudojimą atidžiai apžiūrėkite gaminį iš vidaus ir išorės ir patikrinkite visas jo sudedamąsias dalis. Patikrinkite, ar žarnos neįtrūkę ir neapgadintos, ar neprateka, ar antgaliai neužsikimšę, ar netrūksta dalių, ar nėra pažeistų dalių. Apgadinus gaminį, prieš naudojant jį reikia pataisyti. Daugelį nelaimingų atsitikimų sukelia blogai prižiūrimi gaminiai.
- Prieš išleidžiant iš gaminio skystį, valant ar padedant į sandėį, reikia išimti bateriją, kad gaminys netyčia neįsijungtų.

Rodo, kad įrangai gali būti taikomi nacionaliniai teisės aktai dėl reguliaraus paskirtų įstaigų tikrinimo, kaip numatyta 2009 m. spalio 21 d. Europos Parlamento ir Tarybos direktyvoje 2009/128/EB, nustatančioje Bendrijos veiksmų pagrindus siekiant tausiojo pesticidų naudojimo.

PURŠKALO TIRPALO MAIŠYMAS

⚠ ĮSPĖJIMAS

Cheminius produktus maišykite griežtai laikydamiesi gamintojo instrukcijų. Neteisingi mišiniai gali išskirti toksinius dūmus arba sudaryti sprogius tirpalus.

- Niekada augalų kontrolės cheminių produktų nepurškite jų neatskiedę.
- Tirpalą ruoškite ir talpyklą pildykite tik lauke arba gerai vėdinamoje vietoje.
- Paruoškite tik tiek tirpalo, kiek reikia darbui, kad neliktų jokių likučių.
- Nemaišykite skirtingų cheminių produktų, jei tokio mišinio nėra patvirtinęs gamintojas.

TALPYKLOS PRIPILDYMAS

- Padėkite purkštuvą ant lygaus paviršiaus, nepripildykite talpyklos virš maksimalaus pripildymo žymos.
- Pildant iš centrinio vandentiekio, neįmerkite žarnos galo į tirpalą. Netikėtai sumažėjus slėgiui sistemoje tirpalas gali būti įsiurbtas atgal į vandentiekį.

- Prieš pripildant talpyklą purškimo tirpalu atliktie bandymo ciklą su gėlu vandeniu ir patikrinkite visas purkštuvo dalis, ar nėra nuotėkių.
- Pripildę uždėkite pildytuvo dangtelį ir tvirtai jį uždarykite.
- Ant produkto užkabinkite žymą, nurodančią, koks cheminis produktas yra naudojamas.

PASKIRTIS

- Dirbkite tik atvirose arba gerai vėdinamose vietose, pavyzdžiui, atvirose šiltnamiuose.
- Niekada burna nepūskite purkštukų ar kitų komponentų.
- Venkite sąlyčio su augalų kontrolės chemiais produktais, o augalų kontrolės chemiais produktais užterštus drabužius nedelsiant pakeiskite.
- Nepurškite esant vėjuotoms sąlygoms.
- Per didelis ar per mažas slėgis arba nepalankios oro sąlygos gali lemti neteisingą tirpalo koncentraciją. Perdozavimus galima pakenkti augalams ir aplinkai. Dėl nepakankamo dozavimo augalų apdorojimas gali būti neveiksmingas.
- Siekiant sumažinti žalos aplinkai ir augalams pavojų, nenaudokite purkštuvo:
 - jei slėgis yra aukštas arba per žemas;
 - esant vėjuotoms sąlygoms;
 - esant tiesioginiams saulės spinduliams.
- Siekiant sumažinti nelaimingų atsitikimų ar purkštuvo sugadinimo pavojų, nenaudokite purkštuvo su:
 - degiaisiais skysčiais;
 - klampiais arba lipniais skysčiais;
 - kaustiniais arba koroziniais chemiais produktais;
 - virš 50° C įkaitintais skysčiais.
- Stenkitės nenaudoti produkto esant šaltam orui, nes tirpalas gali užšalti.

GABENIMAS IR LAIKYMAS

- Išimkite akumuliatorių.
- Patikrinkite, ar visos dalys švarios ir sausos.
- Nuo įrankio nuvalykite visas pašalines medžiagas.
- Prieš saugodami arba transportuodami, išleiskite visas purškimo medžiagas iš purškimo bako.
- Kiekvieną kartą po naudojimo patikrinkite visas gaminio dalis, kad nebūtų nuotėkių. Prireikus gražinkite gaminį į įgaliotą techninės priežiūros centrą remontui atlikti, jei toks yra.
- Purškimo svirtelę galima laikyti atramoje.
- Paruošiant gabenimui, gaminį reikia pritvirtinti, kad nejudėtų ir nenuksitų, nes priešingu atveju jis gali sužaloti žmones arba sugesti pats.
- Laikykite vėsioje, sausoje, gerai vėdinamoje ir vaikams nepasiekiamoje vietoje. Nelaikykite jo arti nuo tokių koroziją sukeliančių reagentų kaip cheminės sodininkystės medžiagos arba druskos, naudojamos prieš apledėjimą. Nelaikykite lauke.

PRIEŽIŪRA

Valydami plastikines detales, nenaudokite tirpiklių. Komeriniai tirpikliai lengvai pažeidžia daugelį plastikinių



dalių paviršių ir gali jas apgadinti. Valydami purvą, dulkes, tepalus, alyvas ir t. t., naudokite švarias šluostes.

ATSARGIAI

Neleiskite stabdžių skysčiams, benzinui, naftos produktams, persisunkiantiems tepalams ir kt. susiliesti su plastikinėmis dalimis. Chemikalai gali pažeisti, susilpninti arba suardyti plastiką ir dėl to galima rimtai susižaloti.

ĮSPĖJIMAS

Keitimui naudokite tik originalias gamintojo atsargines dalis. Neoriginalios dalys gali būti sužeidimų ir įrenginio blogo veikimo priežastis, ir dėl to gali būti anuluotas garantinis pažymėjimas.

ĮSPĖJIMAS

Aptarnavimą atlikti būtina itin atidžiai, todėl rekomenduojame, kad techninę apžiūrą vykdytų kvalifikuotas specialistas. Techninei apžiūrai atlikti patariame gražinti prietaisą į artimiausią įgaliotą paslaugų teikimo tarnybą. Sugedusias detales keiskite tik originaliomis detalėmis.

ĮSPĖJIMAS

Kad nesukeltų sunkių sužeidimų, valant ar atliekant priežiūros darbus iš gaminio reikia išimti baterijų paketą.

- Gaminį reguliuoti ar taisyti patiems galima tik tiek, kiek aprašyta šiame vadove. Dėl kitų remonto darbų kreipkitės į įgaliotą techninio aptarnavimo centrą.
- Po kiekvieno naudojimo, išvalykite gaminį vadovaudamiesi šiame vadove pateiktais nurodymais.
- Prieš valant, išleisti iš purškimo rezervuaro purškimo medžiagas ir jį išsausinti.
- Išpilti purškimo medžiagas per pildymo angą.

PASTABA: Visas purškiamas medžiagas reikia išleisti iš purškimo talpyklos į chemikalams skirtą tarą. Nelaikyti cheminių priemonių purškimo rezervuare.

- Purškimo rezervuarą reikia valyti ir skalauti švariu vandeniu. Galima įmaišyti nedidelį kiekį švelnaus buitinio ploviklio.
- Nušluostykite gaminį švaria sausa servetėle.
- Purškimo rezervuarą gali reikėti praskalauti kelis kartus.

UTILIZAVIMAS

Niekada neišpilkite cheminių produktų arba užterštų skalavimo tirpalų likučių į vandens kelius, nuotėkas, kanalizacijas, gatvės latakus ar šulinius.

Cheminių produktų likučius ir panaudotas talpyklas atiduokite į atliekas laikydamiesi vietoje galiojančių atliekų šalinimo teisės aktu.

ŠALUTINIAI PAVOJAI

Net naudojant gaminį pagal nurodymus, neįmanoma visiškai atmesti visų pavojaus veiksnių. Gali kilti toliau

nurodyti pavojai, todėl operatorius turi būti itin dėmesingas, kad išvengtų šių dalykų:

- Elektros smūgis. Jokiu būdu nepurškškite skysčio į elektros lizdus, ant laidų ar buitinių prietaisų.
- Sąlytis su pavojingomis medžiagomis. Purškimo medžiagos gali kelti pavojų įkvėpus, prarijus ar patekus ant odos ar į akis. Rūpestingai vadovaukitės nurodymais ir dėvėkite atitinkamas apsaugines priemones, nurodytas šiame vadove.

ĮSPĖJIMAS

Ilgiau naudojant, įrankis kelia sužeidimų pavojų ir apsunkina darbą. Ilgiau naudojant įrankius, reikia reguliariai daryti pertraukas.

PAŽINKITE SAVO GRANDININĮ PJŪKLĄ

Žr. 135 psl.

DALYS

1. Purškimo rezervuaro dangtelis / dozavimo indelis
2. Purškimo svirtelės rankenėlė
3. Įj./Išj. mygtukas
4. Spragtukas su blokavimo įtaisu
5. Baterijos jungtis
6. Purškimo svirtelė
7. Antgalis
8. Žarna
9. Variklio korpusas
10. Rezervuaras
11. Skląstis (x2)
12. Baterija
13. Įkroviklis

SIMBOLIAI ANT ĮRENGINIO



Pranešimas apie saugumą



Prieš naudodami įrenginį, atidžiai perskaitykite instrukcijas, laikykitės įspėjimų ir saugos nurodymų.



Dėvėkite apsauginius akinius



Dėvėkite kaukę.



Mūvėkite neslidžias, skysčiams nepralaidžias pirštines.



Naudodamiesi šiuo gaminiu visada avėkite avalynę neslystantiems padais.



Nenaudoti lyjant ar esant drėgnoms sąlygoms.



Šis prietaisas atitinka visas reglamentuotas normas ES šaliai, kur jis buvo nupirktas.



„EurAsian“ atitikties ženklas



Ukrainos atitikties ženklas



Elektrinių produktų atliekos neturi būti metamos kartu su namų ūkio atliekomis. Prašome perdirbkite jas ten, kur yra tokios perdirbimo bazės. Dėl perdirbimo patarimo kreipkitės į savo vietinę savivaldybę ar pardavėją.

Toliau pateikti signaliniai žodžiai skirti paaiškinti rizikos, susijusios su gaminiu, lygius:



PAVOJUS

Reiškia ypač pavojingą padėtį, kurios neišvengus bus patirti sunkūs ar net mirtini sužeidimai.



ĮSPĖJIMAS

Reiškia potencialiai pavojingą situaciją, kurios neišvengus galimi sunkūs ar net mirtini sužeidimai.



ATSARGIAI

Reiškia potencialiai pavojingą situaciją, kurios neišvengus galimi lengvi ar vidutinio sunkumo sužeidimai.

ATSARGIAI

(Be įspėjamųjų simbolių) Reiškia nuosavybės žalos tikimybę.

SIMBOLIAI VADOVE



Stabdykite įrenginį.



Blokėtąjs



Atrakinti



Detalės arba priedai yra parduodami atskirai



Pastaba



Įspėjimas!



Akutoitega umbrohu pihusti välja töötamisel on peaeesmärgiks olnud toote ohutus, tootlikkus ja töökindlus.

OTSTARBEKOHANE KASUTAMINE

Umbrohupihusti on ette nähtud kasutamiseks vaid väljaspool ruume, hästi ventileeritud kohas.

Seade on ette nähtud koduste ja aias kasutatavate kemikaalide, näiteks putuka-, seenhaigus- ja umbrohutõrjemürkide ning väetiste pihustamiseks. Seda toodet võib kasutada ka taimede kastmiseks. Ärge kasutage saagi mingiks muuks otstarbeks kui allpool loetletud. Saagi ei tohi kasutada lapsed ja need inimesed, kes ei kanna nõuetekohast kaitsevarustust ja riietust.

OHUTUSE ÜLDESKIRJAD

⚠ HOIATUS

Lugege kõik ohuhoiatused ja juhised läbi. Hoiatuste ja juhiste eiramisel on oht saada elektrilööki või raskeid kehavigastusi ning/või põhjustada tulekahju.

Hoidke kõik hoiatused ja juhised tulevikus vaatamiseks alles.

Hoiatuses kasutatav termin „elektritööriist” tähendab mehaanilist tööriista, mis saab toidet elektrivõrgust (juhtmega) või akust (ilma juhtmeta).

TÖÖKOHT

- **Hoidke töökoht puhas ja hästi valgustatud.** Korrastamata ja pimedas kohas töötamisel võivad juhtuda õnnetused.
- **Ärge kasutage elektritööriistu plahvatusohtlikes keskkondades, näiteks kergestisüttivate vedelike ja gaaside läheduses ega tolmuses kohas.** Elektritööriistad tekitavad sädemeid, mis võivad tolmu või auru süüdata.
- **Elektritööriistaga töötamisel hoidke lapsed ja kõrvalised isikud eemal.** Tähelepanu hajumise korral võib teil kontroll kaduda.

ELEKTROIHUTUS

- Elektritööriistade pistikud peavad pistikupesaga sobima. Ärge püüdke pistiku konstruktsiooni mingil moel muuta. Ärge ühendage maanduskontaktiga (kordusmaandusega) elektritööriistu elektrivõrku läbi vahepistmike. Pistiku ja pistikupesaga konstruktsiooni muutmise korral tekib elektrilöögi oht.
- Hoiduge kehalisest kontaktist maandatud pindadega, näiteks torud, radiaatorid, elektripliidid ja külmikud. Kehaosade maandamisel suureneb elektrilöögi saamise oht.
- Ärge jätke kultivaatorit vihma kätte või märga kohta. Vee sattumisel elektrilise tööriista sisemusse suureneb elektrilöögi saamise oht.
- Ärge kasutage toitejuhet mittesihipäraselt. Ärge kasutage toitejuhet tööriista kandmiseks, vedamiseks või pistikupesast väljatõmbamiseks. Hoidke toitejuhte eemal kuumusest, õlist, teravatest servadest ja liikuvatest osadest. Vigastatud või

keerud toitekaablid suurendavad elektrilöögi ohtu.

- **Väljas töötamisel kasutage välistingimustes kasutamiseks sobivaid pikendusjuhtmeid.** Välistingimustele sobiva pikendusjuhtme kasutamine vähendab elektrilöögi ohtu.
- **Kui elektritööriistaga töötamine niisketes oludes on vältimatu, siis kasutage rikkevoolu-kaitselülitiga (RCD) kaitstud vooluvõrku.** RCD kasutamine vähendab elektrilöögi ohtu.

ISIKUKAITSE

- **Mehaanilise tööriistaga töötamisel jälgige tööpiirkonda ja kasutage sealjuures tervet mõistust.** Ärge kasutage tööriista siis, kui te olete väsinud, uimastite, alkoholi või ravimite mõju all. Hetkeline tähelepanu hajumine tööriista kasutamise ajal võib põhjustada raske kehavigastuse.
- **Kasutage isikukaitsevahendeid.** Kandke alati silmakaitsevahendeid. Kui tööolud seda nõuavad, tuleb kasutada isikukaitsevahendeid, näiteks tolmu maski, libisemiskindlaid turvajalatsid, kiivrit ja kuulmiskaitsevahendeid, mis kehavigastuste riski vähendavad.
- **Vältige tahtmatut käivitumist.** Enne toitejuhtme või aku ühendamist, tööriista käte võtmist või teisaldamist veenduge, et tööriista lüliti on välja lülitatud. Õnnetuste vältimiseks ärge hoidke tööriista kandmise ajal sõrme lülitsushupul ega ühendage tööriista toitevõrku siis, kui lüliti on sisse lülitatud.
- **Enne tööriista sisselülitamist eemaldage sellelt reguleervõti või mutrivõti.** Elektritööriista külge jäetud reguleervõti või mutrivõti võivad põhjustada raske kehavigastuse.
- **Ärge kummardage.** Hoidke end pidevalt jalgadel ja tasakaalus. Siis on teil ootamatu olukorra tekkimisel tööriista üle parem kontroll.
- **Kandke tööks sobivat riietust.** Ärge kandke lõtvu riideid ja ehteid. Hoidke juuksed, riietusesemed ja töökindad liikuvatest osadest eemal. Lõdvad riietusesemed, ehted ja pikad juuksed võivad haakuda liikuvate osade külge.
- **Kui tööriistal tuleb kasutada tolmu eraldamis- või kogumisseadisi, siis veenduge, et need on ühendatud ja nõuetekohases kasutuses.** Tolmukoguri kasutamisega saab vähendada tolmu seotud ohtusid.

ELEKTROTÖÖRIISTA KASUTAMINE JA KORRASHOID

- **Ärge kasutage töötamisel liigset jõudu.** Kasutage tööks sobivat elektritööriista. Õigesti valitud elektritööriist töötab ettenähtud võimsuspiirkonnas paremini ja ohutumalt.
- **Ärge kasutage elektritööriista, kui lüliti ei lülita seda sisse ja välja.** Lülitiga lülitamatu tööriista kasutamine on ohtlik ja see tuleb lasta ära remontida.
- **Enne tööriista reguleerimist, tarvikute vahetamist või hoiustamist võtke toitejuhte pistikupesast välja või eemaldage aku.** Need ennetavad ohtusmeetmed vähendavad tööriista tahtmatu käivitumise riski.
- **Hoidke kasutuses mitteolevaid elektritööriistu**





lastele kättesaamatus kohas ja ärge lubage elektritööriista mitte tundvaid või kasutusjuhendiga mitte tutvunud isikuid elektritööriista kasutada. Oskamatu kasutaja käes olev elektritööriist on ohtlik.

- **Mehaaniliste elektritööriistade hooldus. Kontrollige liikuvate osade mittetsentreeritust ja kinnitumist, osade vigastusi ning tehke kindlaks muud seisundid, mis võivad mõjustada elektritööriista tööd. Kui mõni osa on vigastatud, siis laske elektritööriist enne kasutamist ära parandada. Halvasti hooldatud elektritööriistad põhjustavad palju õnnetusi.**
- **Hoidke lõiketerad teravad ja puhtad.** Teravate lõiketeradega ja nõuetekohaselt hooldatud lõikeriistad jäävad harvemini kinni ning neid on kergem kontrolli all hoida.
- **Tööriistade, tarvikute, otsakute ja muude lisaseadmete kasutamisel juhenduge nende kasutusjuhenditest, võttes arvesse tehtavat tööd ja tööolusid.** Tööoperatsiooniks mitte ettenähtud tööriista kasutamine võib tekitada ohtliku olukorra.

AKUTÖÖRIISTA KASUTAMINE JA KORRASHOID

- **Laadige akut ainult tootja poolt ettenähtud laadijaga.** Akulaadaja, mis sobib ühele akupaketile võib põhjustada tulekahju, kui seda kasutada teise akupaketiga.
- **Kasutage akutööriista ainult selleks ettenähtud akudega.** Muude akupakettide kasutamine võib põhjustada kehavigastusi või tulekahju.
- **Sel ajal kui akupakett ei ole kasutusel, hoidke seda eemal metallesemetest nagu kirjaklambrid, mündid, võtmed, naelad, kruvid ja muudest väikestest metallobjektidest, mis võivad akuklemmid lühistada.** Aku klemmide lühistamine võib põhjustada põletust või tulekahju.
- **Aku vale kasutamise korral võib akuvedelik välja voolata - vältige sellega kokkupuudet. Akuvedeliku nahale sattumisel peske see veega maha. Akuvedeliku silma sattumisel pöörduge arsti poole.** Väljapritsvi akuvedelik võib tekitada nahaärritust või põletust.

TEENINDAMINE

- **Laske oma elektrilist tööriista hooldada väljaõppinud teenindusöötajal; remontimisel tohib kasutada ainult originaalvaruosi.** See tagab elektriseadme ohutuse.

UMBROHUPIHUSTI OHUTUSEESKIRJAD

- **Ärge pihustage kergsüttivaid vedelikke, nagu bensiini, et mitte tekitada tulekahju või plahvatuse ohtu.**
- **Järgige toote pakendil olevaid kemikaali tootja juhiseid kasutamise, puhastamise ja hoiustamise kohta. Hoidke kemikaale lastele kättesaamatus kohas.**
- **Ärge pihustage mingit materjali, mille ohtlikkus ei ole teada.**
- **Pihustatavate materjalidega kokkupuute vältimiseks kasutage heakskiidetud kaitsevahendeid, näiteks sobivat näomaski, kaitsekindaid ja muid kaitsevahendeid.**

- **Ärge kasutage pritsi puhastamiseks kergsüttivaid lahusteid ja abrasiivseid aineid.**

⚠ HOIATUS

Hoidke pihustatavad materjalid silmadest eemal. Kui pihustatav materjal satub silma, peske silmi kohe puhta veega. Kui ärritus ei kao, pöörduge kohe arsti poole.

TÄIENDAVAD OHUTUSJUHISED

- **Ärge lubage lapsi ega piiratud füüsiliste, sensoorsete ja vaimsete võimetega inimesi ega kogemuste ja teadmisteta ning käesolevate juhistega mittetutvunud inimesi seadet kasutada.**
 - **Olge ettevaatlik ohtude suhtes, mida pihustatavad materjalid põhjustavad. Enne taimekaitsevahendite ja muude kemikaalide pihustama hakkamist lugege hoolikalt läbi originaalpakendil olevad juhised ja järgige neid.**
 - **Hoidke tööpiirkond pihustamise ajal vaba kõrvalseisjatest, lastest ja lemmikloomadest.**
 - **Enne seadme kasutama hakkamist kontrollige, et pihusti vars on nõuetekohaselt kinnitatud. Vajaduse korral kasutage pihustivarre ühendamiseks käepidemele näpitsaid.**
 - **Pärast vedeliku sissevalamist pange pihusti paagi kork tagasi ja keerake tihedalt kinni.**
 - **Kasutage vaid veepõhiseid muru ja aia kemikaale.**
 - **Ärge kasutage seda pritsi tööstuslike kemikaalidega ega äriliseks või tööstuslikuks otstarbeks.**
 - **Ärge pihustage selle pritsiga söövitavaid (leeliselisi), isekuumenevaid ja korrodeerivaid (happeid) aineid. Need võivad korrodeerida metalloosi ja nõrgendada paaki ja voolikut.**
 - **Ärge jätke pärast kasutamise lõpetamist pihusti nõusse pihustatavat materjali või selle jääke. Puhastage pärast iga kasutuskorda.**
 - **Ärge pange pihusti paaki auravat või keeva vedelikku. See võib korrodeerida ja kahjustada voolikut või pihusti paaki.**
 - **Ärge paaki üle täitke.**
 - **Kontrollige lekete suhtes. Kui avastate mingi lekke, siis kõrvaldage see enne seadme kasutama hakkamist.**
 - **Pihustamisala peab olema hästi ventileeritud.**
 - **Enne iga kasutuskorda kontrollige seadet seest ja väljast.**
 - **Pihustatav vedelik peab olema sama vedel kui vesi. Paksumaid vedelikke pole võimalik hästi pihustada.**
 - **Vajaduse korral tuleb pihustatavaid materjale eelnevalt segada ja pihusti paaki sisse valada lehtriga.**
- MÄRKUS.** Kui kasutate mõtmiseks mingit muud nõud kui mõtenõu või kui täidate paaki lehtrit kasutades, puhastage ja peske need pärast kasutamist hoolikalt. Kasutage lahustite segamiseks selleks ettenähtud mahutit.
- **Ärge pihustage seal, kus võib olla sädemeid, leeki või muid süüteallikaid.**
 - **Ärge mingil juhul pihustage inimeste või loomade suunas. Pihustage alati allatuult.**





- Ärge seadme kasutamise ajal sööge, jooge ega suitsetage.
- Ärge suunake vahetult nahale.
- Ärge laske pihustataval materjalil nahale sattuda. Kui kemikaal satub nahale, siis peske see kohe rohke vee ja seebiga maha.
- Suunake otsak vahetult taimedele või kohale, mida soovite pihustada.
- Veenduge, et pihustatavad materjalid suunatakse kohta, kus need midagi ei vigasta.
- Ärge pihustage tuulise ilmaga. Pihustatav materjal võib ootamatult sattuda taimele või kohtadesse, mida ei soovi pihustada.
- Hoidke pihustatavad materjalid silmadest eemal. Kui pihustatav materjal satub silma, peske silmi kohe puhta veega. Kui ärritus ei kao, pöörduge kohe arsti poole.
- Seadet võib kasutada nii, et joatoru on alusel või nii, et joatoru on aluselt eemaldatud ja operaator hoiab seda käes.
- Elektrilöögi oht. Ärge pihustage elektritoite pistikupesade suunas.
- Pärast iga kasutuskorda peske oma käed ja teised kohad, kuhu lahus sattus, hoolikalt puhtaks.
- Pritsi tuleb hooldada. Enne iga kasutuskorda kontrollige seade üle seest ja väljast ja vaadake, et kõik koosteosad on heas korras. Kontrollige seade üle pragunenud ja kahjustatud osade, lekete ning pihustite ummistumise, puuduvate ja vigastatud osade suhtes. Kui mõni osa on vigastatud, siis laske see enne kasutamist ära parandada. Halvasti hooldatud seadmed põhjustavad palju õnnetusi.
- Enne kui hakkate seadet tühjendama, puhastama või hoiustama, võtke aku maha, et vältida ootamatut käivitumist.

Märge selle kohta, et masina suhtes võib kohaldada siseriiklikke nõudeid määratud asutuste poolt läbi viidava korrapärase ülevaatuse kohta, nagu on sätestatud Euroopa Parlamendi ja nõukogu 21. oktoobri 2009. aasta direktiivis 2009/128/EÜ, millega kehtestatakse ühenduse tegevusraamistik pestitsiidide säästva kasutamise saavutamiseks.

PRITSIMISLAHUSE SEGAMINE

HOIATUS

Kemikaalide segamisel järgige rangelt tootja antud juhiseid. Valed segud võivad tekitada mürgiseid aure või plahvatavaid lahuseid.

- Ärge kunagi kasutage taimede pritsimiseks lahjendamata kemikaale.
- Segage lahus valmis ja täitke mahuti ainult väljas või hea ventilatsiooniga kohas.
- Valmistage ainult konkreetse pritsimise jaoks vajalik kogus lahust, nii et midagi ei jääks järele.
- Ärge segage kokku erinevaid kemikaale, välja arvatud juhul, kui selline segu on tootja poolt heaks kiidetud.

MAHUTI TÄITMINE

- Asetage prits tasasele pinnale, ärge täitke mahuti üle maksimaalselt lubatud tühise.
- Kui võtate vett tsentraalsest veevarustussüsteemist, ärge torgake vooliku otsa lahusesse. Äkiline madal veesurve võib tekitada olukorra, kus lahus imetakse tagasi veesüsteemi.
- Enne kui täidate mahuti pritsimislahusega, proovige puhta veega, et prits kuskilt ei lekiks.
- Pärast täitmist pange mahutile kork peale ja keerake kindlalt kinni.
- Pange toote külge lipik, kus on kirjas, missugust kemikaali kasutati.

KASUTUSVALDKOND

- Töötage ainult vabas õhus või hea ventilatsiooniga kohtades, nt avatud kasvuhoonetes.
- Ärge kunagi puhuge otsakuid ega teisi osasid suuga läbi.
- Vältige kokkupuudet taimede pritsimiseks mõeldud kemikaalidega ja vahetage otsekohe kemikaalidega määratud riided ära.
- Ärge pritsige tuulise ilmaga.
- Liiga kõrge või madal surve või ebasoodsad ilmastikutingimused võivad põhjustada vale lahuse kontsentratsiooni. Üleannustamine võib rikkuda taimed ja keskkonna. Aladoseerimine võib nurjata taimede töötlemise.
- Et vähendada keskkonnale ja taimedele tekitatavat kahju, ärge kasutage pritsi:
 - kui surve on liiga tugev või liiga madal
 - tuulise ilmaga
 - otsese päikesevalguse käes
- Et vähendada õnnetuste ohtu ja pritsi kahjustamist, ärge kunagi kasutage pritsi:
 - tuleohtlikke vedelikke
 - viskoosseid või kleepuvaid vedelikke
 - kaustilisi või söövitavaid kemikaale
 - vedelikke, mille temperatuur on kõrgem kui 50 °C
- Vältige toote kasutamist külma ilmaga, sest lahus võib külmuda.

TRANSPORTIMINE JA HOIUSTAMINE

- Võtke akupakett välja.
- Veenduge, et kõik osad on puhtad ja kuivad.
- Puhastage seade kõikidest võõrkehadest.
- Enne hoiustamist ja transporti tühjendage pritsi mahuti täielikult.
- Pärast iga kasutuskorda kontrollige kõikide tooteosade lekkimiskindlust. Lekete korral viige toode parandamiseks volitatud teenindusse.
- Joatoru võib hoida alusel.
- Vedamise ajal tõkestage kultivaator liikuma hakkamise ja alla kukkumise vastu, et vältida kehavigastusi ja masinaosade kahjustamist.
- Hoidke kuivas ja hästi ventileeritud kohas, mis on lastele juurdepääsmatu. Hoidke ketsaagi eemal söövitavatest



ainetest nagu aiakemikaalid ja jäätõrjevahendid. Ärge hoiustage õues.

HOOLDUS

Vältige plastosade puhastamisel lahustite kasutamist. Enamik plastikuid on erinevat tüüpi poes müüdavate lahuste kahjustuste suhtes altid ja võivad saada neid kasutades kahjustatud. Mustusest, tolmust, õlist, määrdest jne puhastamiseks kasutage puhast riidelappi.

⚠ ETTEVAATUST

Ärge laske plastosadel mitte mingil juhul sattuda kokkupuutesse auto pidurivedeliku, bensiini, bensiinipõhiste toodete, immutusõlidega või muude samalaadsete vedelikega. Kemikaalid võivad plaste rikkuda, nõrgendada või neile hävitavalt mõjuda, mis võib põhjustada raske kehavigastuse.

⚠ HOIATUS

Kasutage ainult tootja originaalvaruosi, tarvikuid ja tööorganeid. Selle nõude eiramine võib põhjustada, kehavigastuse, tootluse languse ja teile antud garantii tühistamise.

⚠ HOIATUS

Hooldamine nõuab ülimalt korrashoidu ja teadmisi ning tuleks teostada ainult kvalifitseeritud hooldustehnikute poolt. Hoolduseks soovitame me viia toote remontimiseks lähimasse või liitunud teeninduskeskusesse. Kui hooldate, kasutage ainult identseid varuosi.

⚠ HOIATUS

Raskete kehavigastuste vältimiseks võtke akupakett seadme puhastamise ja hooldamise ajaks alati välja.

- Lubatud on teha ainult selles kasutusjuhendis kirjeldatud reguleerimis- ja parandustoiminguid. Muude remonditööde tegemiseks võtke ühendust volitatud hooldajaga.
- Pärast iga kasutuskorda pühkige seade puhtaks selles kasutusjuhendis kirjeldatud viisil.
- Tühjendage pritsi paak enne pritsi puhastamist.
- Paaki tuleb tühjendada läbi täitmisava.

MÄRKUS. Laske kogu pihustamiseks kasutatav materjal kemikaalikindlasse nõusse. Ärge hoidke pihusti paagis kemikaale.

- Pihusti paagi puhastamiseks ja loputamiseks kasutage puhast vett. Võite lisada väikese koguse majapidamise pesuainet.
- Pühkige seade puhta ja kuiva lapiga puhtaks.
- Vajaduse korral tuleb pihusti paaki pesta mitu korda.

UTILISEERIMINE

Ärge kunagi kõrvaldage kemikaalide jääke või saastunud loputussegusid veekogudesse, drenaaži- ja kanalisatsioonitorudesse, tänavarentsliitesse ega

kanalisatsioonikaevudesse.

Kõrvaldage järelejäänud kemikaalid ja kasutatud mahutid vastavalt kohalikele jäätmete kõrvaldamise eeskirjadele.

JÄÄKRISKID

Isegi siis, kui kultivaatorit kasutatakse kirjeldatud viisil, ei ole võimalik kõrvaldada kõiki jääkriskide mõjureid. Töötamise ajal võivad tekkida järgmised ohud, millele operaator peab pöörama erilist tähelepanu.

- Elektrilöök Ärge mingil juhul pihustage vedelikke elektritoite pistikupesadele, juhtmetele või elektriseadmetele.
- Kokkupuude ohtlike ainetega. Pihustatavad materjalid võivad sisse hingamisel ja alla neelamisel või nahaga või silmadega kokkupuutel olla ohtlikud. Järgige juhiseid hoolikalt, kandke selles kasutusjuhendis ette nähtud isikukaitsevahendeid.

⚠ HOIATUS

Seadme pikaajalisel kasutamisel võite saada kehavigastusi ja varasemad vigastused võivad süveneda. Seadme kasutamisel pika aja jooksul tuleb teha korralisi vaheaegasid.

ÕPPIGE OMA TOODET TUNDMA

Vt leht 135.

SEADME OSAD

1. Pihustipaagi kate / mõõtekapsel
2. Joatoru käepide
3. On/off-nupp (sisse/välja)
4. Lukustatav päästik
5. Akuterminaal
6. Joatoru
7. Düüs
8. Voolik
9. Mootori korpus
10. Paak
11. Lukusti (2 tk)
12. Aku
13. Laadija

MASINAL OLEVAD SÜMBOLID



Ohutusala teave



Enne seadmega töö alustamist lugege kõik juhised hoolikalt läbi ja pidage kinni hoiatustest ja ohutusega seotud juhistest.



Kandke silmakaitsevahendeid



Kandke näomaski.



Kandke libisemiskindlaid, vedelikule vastupidavaid kaitsekindaid.



Kandke selle toote kasutamisel alati libisemiskindlaid turvajalatsid.



Ärge jätke vihma kätte või kasutage niiskes kohas.



Vastab kõigile eeskirjadele EL-i liikmesriigis, kus toode on ostetud.



Euraasia vastavusmärk



Ukraina vastavusmargis



Mittekasutatavaid elektritooteid ei tohi visata olmejäätmete hulka. Vaid tuleb viia vastavasse kogumispunkti. Vajadusel küsige sellekohast nõu oma edasimüüjalt või vastavalt kohaliku omavalitsuse institutsioonilt.



Eraldi ostetavad osad või tarvikud



Märkus



Hoiatus

Järgnevad märksõnad ja selgitused on mõeldud selle toote kasutamisega seotud riskitasemete kirjeldamiseks.



OHT.

Viitab kohe tekkivale ohtlikule situatsioonile, mis, kui ei väldita, lõpeb surma või tõsise vigastusega.



HOIATUS

Viitab võimalikule ohtlikule situatsioonile, mis, kui ei väldita, võib lõppeda surma või tõsise vigastusega.



ETTEVAATUST

Viitab võimalikule ohtlikule situatsioonile, mis, kui ei väldita, võib lõppeda väiksemate või keskmiste vigastusega.

ETTEVAATUST

(Ilma hoiatussümbolita) Osutab olukorrale, mis võib põhjustada varakahju.

KASUTUSJUHENDI SÜMBOLID



Peatage tööriist.



Lukk



Lahtikeeramine



U razvoju ovog bežičnog raspršivača za bilje dati su maksimalni prioriteta sigurnosti, performansama i pouzdanosti.

NAMJENA

Raspršivač za korov namijenjen je samo za korištenje na otvorenom u dobro prozračenom prostoru.

Proizvod je namijenjen za raspršivanje kemikalija u domaćinstvu i vrtu poput insekticida, fungicida, otorva za korov i gnojiva. Proizvod se može koristiti za ovlaživanje biljaka.

Nemojte koristiti proizvod za bilo koju svrhu koja nije navedena. Proizvod ne smiju koristiti djeca ili osobe koje ne nose odgovarajuću zaštitnu odjeću i obuću.

OPĆA SIGURNOSNA PRAVILA

⚠ UPOZORENJE

Pročitajte sva sigurnosna upozorenja i sve upute. Nepridržavanje upozorenja i uputa može izazvati strujni udar, požar i/ili ozbiljne ozljede.

Sačuvajte ova upozorenja i upute kako biste ih naknadno mogli konzultirati.

Pojam „električni alat“ u upozorenjima odnosi se na vaš glavni alat (napajanje preko kabela) ili električni alat koji se napaja preko baterije (bez kabela).

RADNA OKOLINA

- **Držite radni prostor čistim i dobro osvijetljenim.** Zatrpani i neosvijetljeni radni prostori izazivaju nezgode.
- **Nemojte rukovati električnim alatima u eksplozivnim atmosferama u kojima su prisutne zapaljive tekućine, plinovi ili prašina.** Električni alati stvaraju iskre koje mogu zapaliti prašinu ili pare.
- **Tijekom rada s električnim alatom držite podalje djecu i promatrače.** Ometanje može dovesti do toga da izgubite kontrolu.

ELEKTRIČNA SIGURNOST

- **Utičkači električnog alata moraju odgovarati utičnici.** Nikada nemojte modificirati utikače ni na koji način. Nemojte koristiti nikakve adapter utikače s uzemljenim električnim alatima. Originalni utikači i odgovarajuće utičnice smanjuju opasnost od strujnog udara.
- **Izbjegavajte kontakt tijela s uzemljenim površinama poput cijevi, radijatora, štednjaka i hladnjaka.** Ako je vaše tijelo uzemljeno, povećava se opasnost od strujnog udara.
- **Nemojte proizvod izlagati kiši ili vlažnim uvjetima.** Ulazak vode u električni alat povećava opasnost od strujnog udara.
- **Nemojte zlorabiti kabel.** Nikada nemojte koristiti kabel za nošenje, povlačenje ili isključivanje električnog alata. Držite kabel podalje od topline, ulja, oštih rubova ili pokretnih dijelova uređaja. Oštećeni ili zapleteni kabeli povećavaju opasnost od strujnog udara.

- **Kada radite s električnim alatom na otvorenom, koristite produžni kabel prikladan za rad na otvorenom.** Korištenje kabela prikladnog za rad na otvorenom smanjuje opasnost od strujnog udara.
- **Ako se ne može izbjeći rad s električnim alatom u vlažnoj lokaciji koristite FID sklopku (RCD uređaj) za zaštitu napajanja.** Korištenje RCD uređaja smanjuje opasnost od električnog udara.

OSOBNJA SIGURNOST

- **Budite na oprezu, gledajte to što radite i pri radu s električnim alatom koristite zdrav razum.** Nemojte koristiti električni alat kad ste umorni ili pod utjecajem droge, alkohola ili lijekova. Trenutak nepažnje pri radu s električnim alatima može dovesti do teških osobnih ozljeda.
- **Koristite osobnu zaštitnu opremu. Uvijek nosite zaštitna sredstva za oči.** Zaštitna oprema poput maske za prašinu, zaštitna obuća sa zaštitom od klizanja, kaciga ili zaštita za uši koja se koristi u odgovarajućim uvjetima smanjuje osobne ozljede.
- **Spriječite slučajno pokretanje. Osigurajte da je prije priključivanja na izvor napajanja i/ili baterije, podizanja ili nošenja alata, sklopka u položaju OFF (isključeno).** Nošenje električnog alata s vašim prstom na sklopki ili uključivanje električnih alata sa sklopkom postavljenom na položaj on (uključeno) dovodi do nezgoda.
- **Prije uključivanja električnog alata uklonite sve klinove za podešavanje i ključeve.** Ključ ili klin ostavljen priključen na rotirajućem dijelu električnog alata može dovesti do osobne ozljede.
- **Ne sežite preko određene granice. Cijelo vrijeme držite pravilno uporište i ravnotežu.** Ovo u neočekivanim situacijama omogućuje bolju kontrolu nad električnim alatom.
- **Pravilno se odjenite. Nemojte nositi široku odjeću ili nakit. Kosu, odjeću i rukavice držite podalje od pokretnih dijelova.** Široka odjeća, nakit ili dugačka kosa mogu biti zahvaćeni u pokretne dijelove alata.
- **Ako su uređaji opremljeni s priključkom aparata za odvajanje i prikupljanje prašine, osigurajte da su oni priključeni i pravilno korišteni.** Korištenje uređaja za sakupljanje prašine smanjuje opasnosti vezane uz prašinu.

KORIŠTENJE I BRIGA O ELEKTRIČNOM ALATU

- **Nemojte proizvod koristiti iznad njegovih mogućnosti.** Za vašu primjenu koristite točan električni alat. Točan električni alat bolje će i sigurnije uraditi posao u odnosu na što je namijenjen.
- **Nemojte koristiti električni alat ako ga sklopka pravilno ne uključuje i isključuje.** Svaki električni alat koji se ne može kontrolirati pomoću sklopke je opasan i mora se popraviti.
- **Prije nego što izvršite bilo kakva podešavanja, zamijenite dodatni pribor ili pohranite električne alate, odspojite utikač iz izvora napajanja i/ili bateriju iz električnog alata.** Ovakve preventivne sigurnosne mjere smanjuju opasnost od slučajnog pokretanja električnog alata.





- **Električne alate pohranite u stanju mirovanja izvan dohvata djece i ne dopustite rad s električnim alatom osobama koje nisu upoznate s električnim alatom ili ovim uputama.** Električni alati su opasni u rukama nestručnih korisnika.
- **Održavanje električnih alata.** Provjerite radi pogrešnog poravnanja ili savijanja pokretnih dijelova, puknuća dijelova i drugih uvjeta koji mogu utjecati na rad električnog alata. Ako je oštećen, električni alat prije korištenja popravite. Većina nezgoda uzrokovano je od strane električnih alata koji su slabo održavani.
- **Rezne alate držite oštrim i čistim.** Pravilno održavanim reznim alatima s oštrim rubovima za rezanje, manja je vjerojatnost zahvaćanja i lakše se kontroliraju.
- **Koristite električni alat, pribor i dijelove alata itd., u skladu s ovim uputama i uzevši u obzir radne uvjete i rad koji treba izvršiti.** Korištenje električnog alata za radove drugačije od njegove namjene može dovesti do opasne situacije.

KORIŠTENJE I BRIGA O AKU ALATU

- **Punite samo s punjačem navedenim od proizvođača.** Punjač koji je prikladan za jednu vrstu baterija može dovesti do opasnosti od požara kada se koristi s drugom baterijom.
- **Koristite AKU alate samo s posebno naznačenim baterijama.** Korištenje bilo kojih drugih baterija dovodi do opasnosti od ozljeda i požara.
- **Kada se baterija ne koristi držite je dalje od drugih metalnih predmeta kao što su spajalice za papir, kovanice, ključevi, čavli, vijci ili drugi mali metalni predmeti koji mogu spojiti jedan pol na drugi.** Kratki spoj polova baterije može izazvati opekotine ili požar.
- **Pod uvjetima loma može doći do izbacivanja tekućine iz baterije, izbjegavajte kontakt. Ako dođe do nehotičnog kontakta, isperite to mjesto s vodom. Ako tekućina dospije u oči, dodatno potražite liječničku pomoć.** Tekućina koja istječe iz baterije može dovesti do iritacije ili opekotina.

ODRĚAVANJE

- **Neka vaš električni alat servisira kvalificirana osoba za popravak koristeći samo identične zamjenske dijelove.** Ovo će osigurati da se održi sigurnost električnog alata.

SIGURNOSNA UPOZORENJA VEZANO ZA RASPRŠIVAČ ZA KOROV

- Nemojte raspršivati zapaljive tekućine, poput benzina, kako biste smanjili opasnost od požara ili eksplozije.
- Uvijek slijдите upute proizvođača o kemikalijama za korištenje, čišćenje i spremanje koje su ispisane na naljepnici proizvoda. Pohranite kemikalije van doseg djece.
- Ne raspršujite nikakav materijal gdje su nepoznate opasnosti.
- Za smanjenje izlaganja materijalima za raspršivanje, nosite odobrenu sigurnosnu opremu, poput maske namijenjene za raspršivanje, rukavica i druge

odgovarajuće zaštitne opreme.

- Nemojte koristiti zapaljiva otapala ili abrazivna sredstva za čišćenje proizvoda.

⚠ UPOZORENJE

Držite materijale za raspršivanje dalje od očiju. Ako materija za raspršivanje dođe u kontakt s vašim očima, odmah ih isperite s čistom vodom. Ako i dalje dolazi do nadražaja, odmah potražite medicinsku pomoć.

DODATNA SIGURNOSNA UPOZORENJA

- Nikada ne dopustite djeci, osobe smanjenih tjelesnih, osjetilnih ili mentalnih mogućnosti ili osoba koje ne raspolažu iskustvom ili osobama koj nisu upoznate s ovim uputama da koriste proizvod.
 - Upoznajte se s opasnostima prisutnim u materijalima za raspršivanje. Prije korištenja bilo kakvih pesticida ili drugih materijala za raspršivanje s proizvodom, pažljivo pročitajte naljepnicu na originalnom spremniku i slijedite upute.
 - Tijekom raspršivanja prostor držite bez promatrača, djece i kućnih ljubimaca.
 - Osigurajte je koplje za raspršivanje čvrsto spojeno na ručku koplja za raspršivanje prije korištenja proizvoda. Po potrebi, koristite klijesta za prključivanje koplja za raspršivanje na ručku.
 - Pazite da pravilno zamijenite i pritegnete poklopac spremnika za raspršivanje nakon dopunjavanja tekućine u spremnik za raspršivanje.
 - Koristite samo običnu vodu i vrtne kemikalije.
 - Nemojte koristiti komercijalne kemikalije ili kemikalije za komercijalnu ili industrijsku svrhu.
 - Nemojte koristiti kaustične (alkalne) samo grijajuće ili korozivne (kiselina) tekućine s proizvodom. To može dovesti do korozije metalnih dijelova ili oslabiti spremnik i crijevo.
 - Nemojte ostavljati ostatke ili raspršivati materijal u spremnik za raspršivanje korištenjem proizvoda. Očistite nakon svakog korištenja.
 - Nemojte usipavati vruću ili proključalu vodu u spremnik za raspršivanje. To može oslabiti ili oštetiti crijevo ili spremnik za raspršivanje.
 - Nemojte prepuniti spremnik.
 - Uvijek provjerite na istjecanje. Ako je nešto pronađeno, ispravite prije korištenja proizvoda.
 - Područje raspršivanja mora biti dobro ventilirano.
 - Uvijek prije svakog korištenja provjerite unutrašnjost i vanjsku stranu proizvoda.
 - Tekućina koja se raspršuje mora biti tekuća kao voda. Guste tekućine neće se pravilno raspršiti.
 - Materijali za raspršivanje mogu biti prethodno pomiješani i usuti u spremnik za raspršivanje korištenjem lijevka.
- NAPOMENA:** Kada koristite spremnik za mjerenje drugačiji od posude za mjerenje ili kada koristite lijevak za punjenje spremnika, temeljito očistite i isperite ove stavke nakon korištenja. Kada miješate materijale za raspršivanje,





ispreite spremnik korišten je miješanje.

- Nemojte raspršivati gdje postoje iskra, plamen ili drugi izvori zapaljenja.
- Nemojte raspršivati u smjeru osoba ili životinja. Uvijek raspršujte niz vjetar.
- Nemojte pušiti, jesti ili piti dok koristite proizvod.
- Nemojte prazniti izravno na kožu.
- Nemojte da materijali za raspršivanje dođu u kontakt sa kožom. Ako dođe do kontakta, odmah isperite sapunicom i s dosta vode.
- Usmjerite mlaznicu izravno u bilje ili predmete koje želite očistiti.
- Osigurajte da su materijali za raspršivanje usmjereni u područje koje neće biti oštećeno materijalima za raspršivanje.
- Izbjegavajte raspršivati u dane kad je vjetrovito. Materijali za raspršivanje mogu se slučajno raspršiti na bilje ili predmete koje se ne smije raspršivati.
- Držite materijale za raspršivanje dalje od očiju. Ako materijal za raspršivanje dođe u kontakt s vašim očima, odmah ih isperite s čistom vodom. Ako i dalje dolazi do nadražaja, odmah potražite medicinsku pomoć.
- Proizvod može raditi s ručkom koplja za raspršivanje u postolju ili se može ukloniti iz postolja i držati od strane operatera.
- Opasnost od strujnog udara. Nemojte raspršivati prema električnim utičnicama.
- Nakon svakog korištenja, temeljito isperite ruke i područje gdje je koža bila izložena raspršivaču.
- Održavajte proizvod. Uvijek prije svakog korištenja temeljito provjerite unutrašnjost i vanjsku stranu proizvoda te komponente. Provjerite za napuknuta i istrošena crijeva, istjecanja, začepljene mlaznice ili dijelove koji nedostaju ili su oštećeni. Ako je oštećen, uređaj prije korištenja popravite. Većina nezgoda uzrokovane su od strane uređaja koji su slabo održavani.
- Uklonite bateriju iz proizvoda prije ispuštanja, čišćenja ili spremanja kako biste izbjegli slučajno pokretanje.

Pokazatelj da stroj podliježe nacionalnim zahtjevima za redoviti pregled od strane nadležnih tijela, kao što je navedeno u Direktivi 2009/128/EZ od 21. listopada 2009. o uspostavi okvira za djelovanje Zajednice u postizanju održive upotrebe pesticida.

MIJEŠANJE OTOPINE ZA PRSKANJE

UPOZORENJE

Kemikalije miješajte strogo u skladu s uputama proizvođača. Nepravilne mješavine mogu prouzročiti nastanak toksičnih plinova.

- Nikada nemojte prskati tekuće kemikalije za kontrolu rasta biljaka u nerazrijeđenom obliku.
- Pripremite otopinu i napunite spremnik samo na otvorenom prostoru ili na dobro provjetrenim mjestima.
- Pripremite tek onoliko otopine koliko je dovoljno za trenutni posao tako da ne bude njezinih ostataka.

- Nemojte miješati različite kemikalije osim ako proizvođač nije odobrio takvu mješavinu.

PUNJENJE SPREMNIKA

- Spremnik postavite da stoji na ravnoj površini, nemojte ga napuniti iznad oznake maksimalne količine.
- Kada ga punite putem vodoopskrbne mreže, kraj crijeva nemojte uranjati u otopinu. Iznenadan pad tlaka u sustavu može prouzročiti povratno usisavanje otopine u vodoopskrbni sustav.
- Prije punjenja spremnika otopinom za prskanje, izvršite probni rad uz pomoć svježe vode i provjerite dolazi li do ispuštanja na bilo kojem dijelu prskalice.
- Nakon punjenja stavite čep za punjenje na spremnik i dobro ga zategnite.
- Na proizvod objesite oznaku koja sadržava podatke o korištenoj kemikaliji.

PRIMJENA

- Radite samo na otvorenom ili na dobro provjetrenim mjestima, npr. u otvorenim staklenicima.
- Nikada nemojte ustima puhati kroz mlaznice ili druge komponente.
- Izbjegavajte doticaj s kemikalijama za kontrolu rasta biljaka, odmah promijenite odjeću kontaminiranu kemikalijama za kontrolu rasta biljaka.
- Nemojte prskati u vjetrovitim vremenskim uvjetima.
- Previsok ili prenizak tlak u nepovoljnim vremenskim uvjetima može dovesti do nastanka neodgovarajuće koncentracije otopine. Njezine prevelike doze mogu oštetiti biljke ili okoliš. Premale doze mogu dovesti do neuspješnog tretiranja biljaka.
- Kako biste smanjili rizik od nastanka štete u okolišu i na biljkama, prskalicu nemojte koristiti u sljedećim uvjetima:
 - kada je tlak previsok ili prenizak
 - u vjetrovitim vremenskim uvjetima
 - na izravnom sunčevom svjetlu
- Kako biste smanjili rizik od nesreća i oštećenja na prskalici, prskalicu nikada nemojte koristiti sa sljedećim tvarima:
 - zapaljivim tekućinama
 - viskoznim ili ljepljivim tekućinama
 - kaustičnim ili korozivnim kemikalijama
 - tekućinama čija je temperatura viša od 50°C
- Izbjegavajte korištenje proizvoda tijekom ledeno hladnog vremena budući da bi se otopina mogla smrznuti

PRIJEVOZ I SKLADIŠTENJE

- Uklonite bateriju.
- Osigurajte da su svi dijelovi čisti i suhi.
- Očistite svaki strani materijal s uređaja.
- Prije skladištenja i prevoženja proizvoda iz spremnika sredstva za prskanje ispuštite sve materijale za prskanje.
- Nakon svakog korištenja provjerite dolazi li do ispuštanja na svim dijelovima proizvoda. Ako je do



njega došlo na bilo kojem dijelu, vratite proizvod u ovlaštenu servis na popravak.

- Koplje za raspršivanje može se spremi u postolje.
- Za prijevoz, osigurajte uređaj protiv pomicanja ili pada kako biste spriječili povrede osoba ili oštećenja na uređaju.
- Skladištite ga na suhom i dobro ventiliranom mjestu koje nije pristupačno djeci. Nemojte ju ostavljati u blizini korozivnih agenasa kao ni vrtnih kemijskih proizvoda i soli za odmrzavanje. Ne ostavljajte na otvorenom.

ODRŽAVANJE

Prilikom čišćenja plastičnih dijelova izbjegavajte koristiti kemijska sredstva. Većina plastičnih dijelova osjetljiva je na oštećenje različitim vrstama komercijalnih vrsta otapala i mogu se oštetiti njihovom uporabom. Za uklanjanje prljavštine, prašine, ulja, masnoće itd., koristite čistu krpu.

⚠ UPOZORENJE

Nikada ne dopustite kontakt plastičnih dijelova s tekućinom za kočnice, benzinom, proizvodima na bazi petroleja, sredstvima za odmašćivanje, idr. Kemijske mogu oštetiti, oslabiti ili uništiti plastiku što može dovesti do ozbiljnih osobnih ozljeda.

⚠ UPOZORENJE

Koristite samo originalne zamjenske dijelove, dodatni pribor i priključke od proizvođača. Nepoštivanje ovih uputa može dovesti do mogućih ozljeda, loše učinkovitosti i može dovesti do poništenja jamstva.

⚠ UPOZORENJE

Servisiranje iziskuje krajnju pažnju i znanje i treba da ga vrši samo kvalificirani serviser. Za servisiranje mi vam preporučamo da odnesete proizvod u najbliži ovlaštenu servisni centar radi opravke. Prilikom servisiranja koristiti identične zamjenske dijelove.

⚠ UPOZORENJE

Za izbjegavanje ozbiljnih ozljeda uvijek uklonite bateriju iz uređaja prilikom čišćenja ili izvođenja bilo kakvog održavanja.

- Možete samo vršiti podešavanje ili popravke opisane u ovom manualu. Za druge popravke, obratite se ovlaštenom servisnom agentu.
- Nakon svakog korištenja, očistite proizvod kao što je opisano u ovom priručniku.
- Ispustite i ispraznite spremnik za raspršivanje prije čišćenja.
- Ispustite materijale za raspršivanje kroz područje za punjenje.

NAPOMENA: Ispustite se sve materijale za raspršivanje iz spremnika za raspršivanje u kontejner odobren za kemikalije. Nemojte spremati kemikalije u spremnik za raspršivanje.

- Koristite čistu vodu za čišćenje i ispiranje spremnika za raspršivanje. Može se dodati mala količina deterdženta za kućanstvo.
- Obrišite proizvod s čistom, suhom krpom.
- Možda bude potrebno isprati spremnik za raspršivanje više od jednom.

ODLAGANJE

Preostale kemikalije ili kontaminirane otopine za ispiranje nikada nemojte odlagati u odливne kanale, odvode, kanalizacijske cijevi, ulične slivnike ili ulazna okna.

Preostale kemikalije i korištene spremnike odložite u skladu s lokalnim propisima za odlaganje otpada.

OSTALE OPASNOSTI:

Čak i kad je proizvod korišten kao što je prethodno opisano, još uvijek nije moguće potpuno isključiti ostale čimbenike opasnosti. Može doći do sljedećih opasnosti prilikom korištenja i operater mora obratiti posebnu pozornost kako bi izbjegao sljedeće:

- Strujni udar. Nikada ne raspršujte tekućinu prema električnim utičnicama, kabelima ili uređajima.
- Kontakt s opasnim tvarima. Materijali za raspršivanje mogu biti štetni ako se udahnu, progutaju ili dodju u dodir s kožom ili očima. Pažljivo slijedite upute i nosite odgovarajuću zaštitnu opremu kao što je opisano u ovom priručniku.

⚠ UPOZORENJE

Povrede mogu biti uzrokovane ili zadobivene produljenim korištenjem alata. Kada koristite bilo koji alat dulje vremena, osigurajte da uzimate povremene stanke.

UPOZNAJTE SVOJ PROIZVOD

Pogledajte stranicu 135.

DIJELOVI

1. Poklopac spremnika za raspršivanje/posuda za mjerenje
2. Ručka koplja za raspršivanje
3. Gumb za uključivanje/isključivanje
4. Sklopka za pokretanje sa zaključavanjem
5. Priključak na bateriju
6. Koplje za raspršivanje
7. Mlaznica
8. Crijevo
9. Kućište motora
10. Spremnik
11. Zasun (x2)
12. Baterija
13. Punjač

SIMBOLI NA PROIZVODU



Sigurnosno upozorenje



Pročitajte i razumite sve upute prije rada s proizvodom, slijedite sva upozorenja i sigurnosne upute.



Nosite sredstva za zaštitu očiju



Nosite masku.



Nosite zaštitne rukavice koje se ne klizu i otporne na vodu.



Nosite obuću protiv klizanja prilikom korištenja ovog proizvoda.



Ne izlažite kiši ili vlažnim uvjetima.



Ovaj alat usklađen je sa svim normama i propisima zemlje Europske unije u kojoj je kupljen.



EurAsian znak konformnosti



Ukrajinska oznaka za sukladnost



Otpadni električni proizvodi ne treba da se odlažu s otpadom iz domaćinstva. Molimo da reciklirate gdje je to moguće. Potražite savjet od lokalnih vlasti ili prodavca kako reciklirati.

SIMBOLI U OVOM PRIRUČNIKU



Zaustavite proizvod.



Brava



Otključavanje



Dijelovi ili pribor prodan odvojeno



Napomena



Upozorenje

Sljedeće signalne riječi i značenja namijenjeni su objašnjenju razina opasnosti koje su vezane uz ovaj proizvod:

 OPASNOST

Ukazuje na neposrednu opasnu situaciju, koja, ukoliko se ne izbjegne, može rezultirati smrću ili opasnim povredama

 UPOZORENJE

Ukazuje na moguću opasnu situaciju, koja, ukoliko se ne izbjegne, može rezultirati smrću ili opasnim povredama

 UPOZORENJE

Ukazuje na moguću opasnu situaciju, koja, ukoliko se ne izbjegne, može rezultirati manjim ili blažim povredama

UPOZORENJE

(Bez sigurnosnog simbola upozorenja) Naznačuje situaciju koja može rezultirati oštećenjem imovine.



Pri snovanju vaše akumulatorske škropilnice smo dali prednost varnosti, učinkovitosti in zanesljivosti.

NAMEN UPORABE

Škropilnica je namenjena zunanji uporabi v dobro prezračevanem območju.

Izdelek je namenjen škropljenju gospodinjstskih in vrtnih kemikalij za potrošniško rabo, kot so insekticidi, fungicidi, herbicidi in gnojila. Izdelek se lahko uporablja tudi za zalivanje rož.

Izdelka ne uporabljajte drugače, kot je navedeno zgoraj. Izdelka ne smejo uporabljati otroci ali osebe, ki ne nosijo ustrezne osebne varovalne opreme in oblačil.

SPLOŠNA VARNOSTNA OPOZORILA

⚠ OPOZORILO

Preberite vsa varnostna opozorila in navodila. Zaradi neupoštevanja opozoril in navodil lahko pride do električnega udara, požara in/ali resnih poškodb.

Shranite vsa opozorila in navodila za kasnejšo uporabo.

Izraz »električno orodje« v opozorilih se nanaša na orodja, ki jih poganja električni tok (žična), ali na akumulatorska (brezžična) orodja.

DELOVNO OBMOČJE

- **Delovno območje naj bo čisto in dobro osvetljeno.** V neurejenih in temnih območjih se rade zgodijo nesreče.
- **Električnih orodij ne uporabljajte v eksplozivnih okoljih npr. v bližini vnetljivih tekočin, plinov ali prahu.** Električna orodja proizvajajo iskre, ki lahko vnamejo prah ali hlape.
- **Med uporabo električnega orodja v bližino ne pustite otrok in drugih ljudi.** Zaradi zmanjšane koncentracije lahko izgubite nadzor.

ELEKTRIČNA VARNOST

- **Vtiči električnih orodij se morajo prilegati vtičnicam.** Vtiča nikoli in na noben način ne smete spreminjati. Z ozemljenimi električnimi orodji ne uporabljajte adapterjev vtiča. Nespremenjeni vtiči in ustrezne vtičnice zmanjšajo tveganje električnega udara.
- **Izogibajte se telesnemu stiku z ozemljenimi površinami, kot so cevi, radiatorji, kuhalniki in hladilniki.** Če je vaše telo ozemljeno, obstaja povečano tveganje električnega udara.
- **Izdelka ne izpostavljajte dežju ali vlagi.** Voda v električnem orodju znatno poveča tveganje električnega udara.
- **Kabla ne uporabljajte za neustrezne namene.** Kabla nikoli ne uporabljajte za prenašanje, vleko ali izklop električnega orodja. Pazite, da kabel ne pride v stik z vročino, oljem, ostrimi robovi ali gibljivimi deli. Poškodovani ali zapleteni kabli zvišujejo tveganje električnega udara.
- **Med uporabo električnega orodja na prostem uporabljajte podaljševalni kabel, ki je primeren za zunanjo uporabo.** Uporaba kabla, primerne za

zunanjo uporabo, znižuje tveganje električnega udara.

- **Če je delo z električnim orodjem v vlažnem okolju neizogibno, uporabite tokovno zaščitno stikalo (RCD).** Uporaba naprave RCD zmanjša tveganje za električni udar.

OSEBNA VARNOST

- **Med obratovanjem bodite pozorni, spremljajte potek dela in uporabljajte zdrav razum.** Električnega orodja ne uporabljajte, ko ste utrujeni oz. pod vplivom drog, alkohola ali zdravil. Trenutek nepazljivosti med uporabo električnega orodja lahko povzroči hude telesne poškodbe.
- **Uporabljajte osebno zaščitno opremo. Vedno nosite zaščitno za očmi.** Če v različnih okoliščinah nosite ustrezno zaščitno opremo, kot so maska proti prahu, obutev z nedersečim podplatom, trdno pokrivalo glave in zaščita za sluh, zmanjšate možnost telesnih poškodb.
- **Preprečite neželen zagon. Preden orodje priključite na vir napajanja, vstavite baterije, ga vzamete v roke ali prenašate, se prepričajte, da je stikalo v izključenem položaju.** Prenašanje električnih orodij, tako da prst držite na stikalo, ali dovajanje napajanja električnim orodjem, pri katerih je stikalo v položaju »on (vklop)« poveča tveganje nesreč.
- **Pred vklopom električnega orodja odstranite morebitne nastavitvene ključe ali izvijače.** Izvijač ali ključ, ki ostane pritrdjen na vrtljivi del električnega orodja, lahko povzroči telesne poškodbe.
- **Nesiahajte priliš daleko. Pazite, da stojite stabilno in da imate ravnotežje.** To omogoča boljši nadzor nad električnim orodjem v nepričakovanih situacijah.
- **Bodite primerno oblečeni. Ne nosite ohlapnih oblačil ali nakita. Pazite, da lasje, oblačila in rokavice ne pridejo v bližino gibljivih delov.** Ohlapna oblačila, nakit ali dolgi lasje se lahko zapletejo v gibljive dele.
- **Če so naprave namenjene priključitvi na pripomočke za sesanje in zbiranje prahu, se prepričajte, da so ti priključeni in ustrezno uporabljeni.** Uporaba zbiralca prahu lahko zmanjša nevarnosti, povezane s prahom.

UPORABA IN NEGA ELEKTRIČNEGA ORODJA

- **Izdelka ne preobremenjujte.** Uporabite električno orodje, ki ustreza vašemu delu. Ustrezno električno orodje bo nalogo opravilo bolje in varneje v kategoriji, za katero je bilo zasnovano.
- **Ne uporabljajte električnega orodja, če ga stikalo ne vklopi ali izklopi, kot bi bilo treba.** Kakršno koli električno orodje, ki ga ni mogoče nadzirati s stikalom, je nevarno in ga je potrebno popraviti.
- **Odklopite vtič z vira napajanja in/ali baterije, preden opravljate kakršne koli prilagoditve, menjate dodatke ali shranjujete električno orodje.** Tovrstni preventivni varnostni ukrepi zmanjšajo možnost slučajnega zagona električnega orodja.
- **Električna orodja, ki niso v uporabi, shranjujte izven dosega otrok in ne dovolite, da bi električno orodje uporabljale osebe, ki niso seznanjene z električnim orodjem ali s temi navodili.** Električna orodja so v rokah neusposobljenih uporabnikov nevarna.





- **Električna orodja redno vzdržujte. Preverite, če so gibljivi deli napačno poravnani ali zaskočeni, če so sestavni deli polomljeni ali če obstaja kakršno koli druge stanje, ki lahko vpliva na varno delovanje električnega orodja. Če je električno orodje poškodovano, ga pred ponovno uporabo dajte v popravilo. Številne nesreče zakrivijo neustrezno vzdrževana električna orodja.**
- **Rezalna orodja naj bodo vedno nabrušena in čista.** Pravilno vzdrževana rezalna orodja z ostrimi rezili se težje zaskočijo in jih je lažje nadzirati.
- **Električno orodje, dodatke, nastavke za orodje itd. uporabljajte v skladu s temi navodili ter upoštevajte delovne pogoje in vrsto dela, ki ga boste izvajali.** Uporaba električnega orodja za namene, ki so drugačni od tistih, za katere je bilo orodje zasnovano, lahko povzroči nevarne situacije.

UPORABA IN VZDRŽEVANJE BATERIJSKEGA ORODJA

- **Baterijo polnite le s polnilnikom, ki ga določa proizvajalec.** Polnilnik, ki ustreza eni vrsti baterij, morda lahko povzroči požar, če z njim polnite drugo vrsto baterij.
- **Baterijska orodja uporabljajte samo s predpisano vrsto baterij.** Uporaba katerih koli drugih baterij ustvari tveganje poškodb in požara.
- **Ko baterije ne uporabljajte, pazite, da bo odmaknjena od kovinskih predmetov, kot so papirne sponke, kovanci, ključi, žebliji, vijaki ali drugih majhni kovinski predmeti, ki bi lahko povzročili povezavo med obema terminaloma.** Kratak stik zaradi povezanih terminalov baterije lahko povzroči opeklino ali požar.
- **Ob zlorabi baterije lahko iz nje steče tekočina. Če se po nesreči dotaknete tekočine, mesto dotika sperite z vodo. Če pride tekočina v stik z očmi, poiščite zdravstveno pomoč.** Tekočina, ki izteče iz baterije, lahko povzroči vnetje ali opeklino.

SERVISIRANJE

- **Električno orodje naj servisira usposobljena oseba, uporabljati pa sme le originalne nadomestne dele.** To bo zagotovilo vzdrževanje varnostni električnega orodja.

VARNOSTNA OPOZORILO ZA ŠKROPILNICO

- Da bi zmanjšali tveganje požara ali eksplozije, ne pršite vnetljivih tekočin kot je na primer bencin.
- Za uporabo, čiščenje in shranjevanje zmeraj upoštevajte navodila proizvajalca kemikalij, ki so natisnjena na oznaki izdelka. Kemikalije shranjujte izven dosega otrok.
- Ne pršite nobene snovi, kjer tveganje ni znano.
- Da bi zmanjšali izpostavljenost pršilnim snovem, nosite odobreno varnostno opremo kot so obrazna maska za zaščito pred pršenjem, rokavice in druga primerna zaščitna oprema.
- Za čiščenje izdelka ne uporabljajte vnetljivih topil ali abrazivnih čistilnih sredstev.

⚠ OPOZORILO

Pršilnih snovi a ne imejte v bližini oči. Če pršilne snovi pridejo v stik z očmi, jih nemudoma izperite s čisto vodo. Če draženje še vztraja, takoj poiščite zdravniško pomoč.

DODATNA VARNOSTNA OPOZORILO

- Nikoli ne dovolite otrokom, osebam z zmanjšanimi fizičnimi, senzoričnimi ali mentalnimi zmožnostmi ali osebam s pomanjkanjem izkušenj ali znanja ter osebam, ki niso seznanjene s temi navodili, da uporabljajo izdelek.
 - Bodite pozorni na vse nevarnosti, ki jih predstavljajo pršilne snovi. Pred uporabo pesticidov ali drugih pršilnih snovi s tem izdelkom pazno preberite oznako na izvirni posodi in sledite navodilom.
 - Na območju, kjer škropite, naj ne bo mimoidočih, otrok in domačih živali.
 - Pred uporabo izdelka se prepričajte, da je škropilna palica trdno pritrjena na ročaj za palico. Če je treba, za pritrditev škropilne palice na ročaj uporabite klešče.
 - Ne pozabite pravilno namestiti in zategniti pokrova posode za škropivo, potem ko ste jo napolnili s tekočino.
 - Uporabljajte le kemikalije za trato in vrt na vodni osnovi in za potrošniško rabo.
 - Ne uporabljajte kemikalij za komercialno rabo ali kemikalij za komercialne oziroma industrijske namene.
 - Z izdelkom ne uporabljajte lužnih (alkalnih) samosegrevajočih ali korozivnih (kislinskih) tekočin. Te lahko razžrejo kovinske dele ali oslabijo posodo za škropivo in cev.
 - Po uporabi izdelka v posodi za škropivo ne puščajte usedlin ali pršilnih snovi. Posodo očistite po vsaki uporabi.
 - V posodo za škropivo ne nalivajte vročih ali vrelih tekočin. Te lahko oslabijo ali poškodujejo cev ali posodo za škropivo.
 - Ne prenapolnite posode za škropivo.
 - Zmeraj preverite, če so kje razpoke. Če kakšno najdete, jo še pred uporabo izdelka popravite.
 - Območje škropljenja mora biti dobro prezračevano.
 - Pred vsako uporabo zmeraj preglejte notranjost in zunanost izdelka.
 - Tekočine, namenjene pršenju, morajo biti tako redke kot voda. Gostejše tekočine se ne bodo pravilno razpršile.
 - Pršilne snovi lahko predhodno zmešate in jih z lijakom, če je potrebno, nalijete v posodo za škropivo.
- OPOMBA:** Če uporabljate meritveni vsebnik, ki ni meritvena čaša, ali če z lijakom želite napolniti rezervoar, ta elementa po uporabi temeljito očistite in ju sperite. Ko predhodno mešate pršilne snovi, izperite posodo, ki ste jo uporabljali za mešanje.
- Ne pršite v prisotnosti iskre, plamena ali drugega vira vžiga.
 - Ne pršite v smeri ljudi ali živali. Zmeraj škropite v smeri vetra.



- Ne kadite, jejte ali pijte med uporabo izdelka.
- Ne izlivajte neposredno ob koži.
- Pršilne snovi ne smejo priti v stik s kožo. Če pride do stika, mesto nemudoma operite z milom in obilico vode.
- Šobo usmerite neposredno na rastline ali predmete, ki jih nameravate poškropiti.
- Prepričajte se, da so pršilne snovi usmerjene proti območju, ki mu ne bodo škodovale.
- Izogibajte se škropljenju v vetrovnih dneh. Pršilne snovi lahko po naključju zanese na rastline ali predmete, ki jih naj ne bi škropili.
- Pršilnih snovi a ne imejte v bližini oči. Če pršilne snovi pridejo v stik z očmi, jih nemudoma izperite s čisto vodo. Če draženje še vztraja, takoj poiščite zdravniško pomoč.
- Izdelek se lahko uporablja tako, da je ročaj škropilne palice nameščen v nosilcu ali pa ga drži upravljalec.
- Nevarnost električnega udara. Ne pršite proti električnim vtičnicam.
- Po vsaki uporabi si temeljito umijte roke in druga področja, kjer je bila vaša koža izpostavljena razpršilu.
- Vzdržujte izdelek. Pred vsako uporabo temeljito pregledajte notranjost in zunanost izdelka ter sestavne dele. Preverite, če so gumijaste cevi razpokane in preperete, če kje pušča, če so šobe zamašene, in če so kakšni deli poškodovani ali manjkajo. Če je poškodovan, dajte izdelek pred uporabo v popravilo. Slabo vzdrževani izdelki povzročijo mnogo nesreč.
- Pred odcejanjem, čiščenjem ali shranjevanjem odstranite akumulator, da ne pride do nenamernega vklopa.

Oznaka, da se lahko za stroj skladno z nacionalnimi zahtevami s strani pooblaščenih organov izvajajo redni pregledi, kot določa Direktiva 2009/128/ES Evropskega parlamenta in Sveta z dne 21. oktobra 2009 o določitvi okvira za ukrepe Skupnosti za doseganje trajnostne rabe pesticidov.

PRIPRAVA RAZPRŠILA

OPOZORILO

Kemikalije mešajte ob strogem upoštevanju navodil izdelovalca. Pri nepravilnem mešanju lahko nastajajo strupeni plini ali eksplozivne raztopine.

- Tekoče kemikalije za zatiranje plevela je treba pred uporabo razredčiti.
- Pripravo in vnos raztopine v posodo izvajajte samo na prostem ali v dobro prezračenih prostorih.
- Pripravite samo tolikšno količino raztopine, ki jo potrebujete za opravilo, da jo boste porabili v celoti.
- Ne mešajte različnih kemikalij, razen če to odobri izdelovalec.

POLNJENJE POSODE

- Razpršilnik postavite na ravno površino in posodo napolnite do oznake za največjo dovoljeno količino.
- Če vodo dovajate iz glavnega vodovoda, konca cevi ne potopite v raztopino. Nenaden upad tlaka v sistemu

lahko privede do vsesavanja raztopine v vodovod.

- Preden v posodo dolijete razpršilo, razpršilnik preizkusite s svežo vodo in preverite, da noben od njegovih sestavnih delov ne pušča.
- Ko končate polnjenje, namestite pokrovček za polnjenje in ga do konca privijte.
- Na razpršilnik namestite oznako, na kateri je navedena uporabljena kemikalija.

UPORABA

- Delo izvajajte samo na prostem ali v dobro prezračenih prostorih, npr. odprtih rastlinjakih.
- Z usti nikoli ne pihajte zraka v šobe ali druge sestavne dele.
- Preprečite stik s kemikalijami za zatiranje plevela in takoj slecite oblačila, ki so kontaminirana s kemikalijami za zatiranje plevela.
- Izdelka ne pršite, kadar piha.
- Previsok ali prenizek tlak ali neugodne vremenske razmere lahko privedejo do napačne koncentracije raztopine. Uporaba čezmerne količine izdelka lahko poškoduje rastline in škoduje okolju. Uporaba premajhne količine raztopine lahko privede do neuspešnega zatiranja plevela.
- Za zmanjšanje škodljivih učinkov na okolje in rastline razpršilnika ne uporabljajte:
 - pri previsokem ali prenizkem tlaku
 - če piha veter
 - na neposredni sončni svetlobi
- Za zmanjšanje nevarnosti nesreč in poškodb razpršilnika ga nikoli ne uporabljajte z:
 - vnetljivimi tekočinami
 - viskozniimi ali lepljivimi tekočinami
 - lužnimi ali korozivnimi kemikalijami
 - tekočinami s temperaturo nad 50 °C
- Izdelka ne uporabljajte pri izjemno nizkih temperaturah, saj lahko raztopina zamrzne.

TRANSPORT IN SHRANJEVANJE

- Odstranite baterijo.
- Prepričajte se, da so vsi deli čisti in suhi.
- Očistite vse tujke z izdelka.
- Pred shranjevanjem in prevozom iz rezervoarja razpršilnika izpustite celotno raztopino.
- Sestavne dele po vsaki uporabi pregledajte, da ne puščajo. Izdelek na popravilo posredujte pooblaščenemu servisnemu centru, če je ta na voljo.
- Škropilno palico lahko shranite v nosilcu.
- Za transport zavarujte izdelek pred premiki ali padci, da preprečite poškodbe oseb ali izdelka.
- Shranite jo na suhem in dobro prezračenem mestu, ki ni na dosegu otrok. Hranite proč od jedkih sredstev, kot so kemikalije za vrtnarjenje in soli za odmrzovanje. Ne shranjujte na prostem.

VZDRŽEVANJE

Pri čiščenju plastičnih delov se izogibajte toplom. Večina plastičnih delov je zelo dovzetna za poškodbe s strani različnih vrst raztopil. Za odstranjevanje prahu, umazanje, olja, masti itd. uporabite čiste krpe.

⚠ POZOR

Zavorna tekočina, gorivo, izdelki na osnovi nafte, prodirajoče olje ipd. nikoli ne smejo priti v stik s plastičnimi deli. Kemikalije lahko plastiko poškodujejo, oslabijo ali uničijo, kar lahko privede do resnih telesnih poškodb.

⚠ OPOZORILO

Uporabljajte le originalne rezervne dele in dodatke, ki jih priporoča proizvajalec. V nasprotnem primeru naprava lahko slabo deluje, povzroči poškodbe, garancija pa ne velja več.

⚠ OPOZORILO

Servisiranje zahteva posebno pozornost in znanje in naj jo zato opravlja samo izurjeni servisni tehnik. Servisiranje in popravila izdelka vam priporočamo pri vašem najbližjem pooblaščenem servisnem centru. Pri servisiranju uporabljajte le identične nadomestne dele.

⚠ OPOZORILO

Da bi se izognili hudim telesnim poškodbam, pred čiščenjem ali vzdrževanjem zmeraj odstranite akumulatorski baterijski vložek iz izdelka.

- Opravite lahko samo tukaj navedene prilagoditve ali popravila. Za ostala popravila se obrnite na pooblaščenega serviserja.
- Po vsaki uporabi očistite izdelek v skladu z navodili v tem priročniku.
- Pred čiščenjem odcedite in izpraznite posodo za škropivo.
- Pršilne snovi odcedite skozi odprtino za polnjenje.

OPOMBA: Iz rezervoarja razpršilnika iztecite materiale razpršilnika v vsebnik, ki je namenjen za kemikalije. Kemikalij ne shranjujte v posodi za škropivo.

- Za čiščenje in izpiranje posode za škropivo uporabljajte čisto vodo. Dodate lahko manjšo količino blagega čistilnega sredstva.
- Izdelek obrišite s čisto, suho krpo.
- Posodo za škropivo bo verjetno treba večkrat izprati.

ODSTRANJEVANJE

Ostankov kemikalij ali kontaminiranih raztopin za izpiranje nikoli ne odstranjujte v vodotoke, odtoke, kanalizacijo, cestne jaške ali vstopne jaške.

Ostanke kemikalij in uporabljene posode zavrzite skladno z lokalnimi predpisi za odstranjevanje odpadkov.

REZIDUALNA TVEGANJA:

Tudi če izdelek uporabljate tako, kot je predpisano, še vedno ne moremo izključiti določenih preostalih dejavnikov tveganja. Med uporabo se lahko pojavijo naslednje nevarnosti, upravljaavec pa naj bo pozoren na sledeče:

- Električnemu udaru. Tekočine nikoli ne pršite proti električnim vtičnicam, kablom ali aparatom.
- Stiku z nevarnimi snovmi. Pršilne snovi so lahko škodljive, če jih vdihnete, zaužijete, ali če pridejo v stik z očmi. Skrbno upoštevajte navodila in nosite primerno zaščitno opremo, kakor je predpisano v tem priročniku.

⚠ OPOZORILO

Daljša uporaba orodja lahko privede do poškodb ali pa so poškodbe lahko hujše. Kadar orodje uporabljate dalj časa, si večkrat vzemite odmor.




SPOZNAJTE SVOJ IZDELEK

Glejte stran 135

DELI

1. Pokrov / merilna posodica posode za škropivo
2. Ročaj škropilne palice
3. Gumb za vklop / izklop
4. Sprožilec z zaklepom
5. Odprtina za baterijo
6. Škropilna palica
7. Šoba
8. Gumijasta cev
9. Ohišje motorja
10. Posoda za škropivo
11. Zapah (x2)
12. Akumulator
13. Polnilec

SIMBOLI NA IZDELKU

-  Varnostni alarm
-  Pred uporabo izdelka morate prebrati in razumeti vsa navodila, upoštevati vsa opozorila in varnostne napotke.
-  Nosite zaščito za oči
-  Nosite masko.
-  Nosite neдрseče rokavice, ki so odporne na tekočino.
-  Ko uporabljate izdelek, nosite zaščitno obutev, ki ne drsi.



Ne izpostavljajte ga dežju ali vlagi.



Opozorilo



Ustreza vsem predpisanim standardom v državi članici EU, kjer je bil kupljen izdelek.



EurAsian oznaka o skladnosti



Ukrajinska oznaka za skladnost



Odpadne električne izdelke odlagajte skupaj z ostalimi gospodinjstvi odpadki. Reciklažo opravljajte na predpisanih mestih. Za reciklažni nasvet se obrnite na lokalne oblasti.

Naslednje besedne oznake in njihovi pomeni služijo za razlago stopnje tveganja pri uporabi izdelka.



NEVARNOST

Označuje neizbežno tvegano stanje, ki če se ji ne izognete lahko povzroči smrt ali resno poškodbo.



OPOZORILO

Označuje morebitno tvegano stanje, ki če se ji ne izognete lahko povzroči smrt ali resno poškodbo.



POZOR

Označuje morebitno tvegano stanje, ki če se mu ne izognete lahko povzroči manjšo ali srednje resno poškodbo.

POZOR

(Brez simbola za varnostno opozorilo) Prikazuje situacijo, ki lahko povzroči materialno škodo.

SIMBOLI V TEM PRIROČNIKU



Zaustavite orodje.



Uzamknutie



Odklep



Deli ali dodatki so na prodaj ločeno



Opomba



Na dosiahnutie jednoduchej obsluhy a prevádzky boli pri navrhovaní tohto akumulátorového postrekovača buriny najvyššou prioritou bezpečnosť, výkon a spoľahlivosť.

ÚČEL POUŽITIA

Postrekovač buriny je určený výhradne na použitie v exteriéri a v dobre vetraných priestoroch.

Produkt je určený na sprejovanie spotrebných chemikálií do domácnosti a záhrady, napríklad insekticídov, fungicídov, herbicídov a umelých hnojív. Produkt možno používať aj na zalievanie rastlín.

Nepoužívajte produkt na iné účely, ako sú uvedené vyššie. Tento produkt nesmú používať deti ani osoby, ktoré nie sú vybavené primeranými osobnými ochrannými pomôckami a odevom.

VŠEOBECNÉ BEZPEČNOSTNÉ VÝSTRAHY

VAROVANIE

Prečítajte si všetky bezpečnostné výstrahy a pokyny. Pri nedodržaní týchto výstrah a pokynov môže dôjsť k úrazu elektrickým prúdom, požiaru a/alebo závažnému poraneniu.

Odložte všetky upozornenia a pokyny použité v budúcnosti.

Pojem „mechanický nástroj“ vo výstrahách sa vzťahuje na váš sieťový (káblový) mechanický nástroj alebo akumulátorový (bezkáblový) mechanický nástroj.

PRACOVNÝ PRIESTOR

- **Pracovisko udržiavajte v čistote a správne osvetlené.** Prepchané alebo tmavé miesta zvyšujú pravdepodobnosť nehôd.
- **Nepracujte s mechanickými nástrojmi vo výbušných atmosférach, napríklad v blízkosti zápalných tekutín, plynov alebo prachu.** Mechanické nástroje vytvárajú iskry, ktoré môžu podpáliť takýto prach alebo výpary.
- **Deti a okolostojaci sa počas práce s mechanickým nástrojom nesmú zdržovať v jeho blízkosti.** Rozptýlenie môže spôsobiť, že stratíte nad nástrojom kontrolu.

ELEKTRICKÁ BEZPEČNOSŤ

- **Zástrčky mechanického nástroja musia zodpovedať zásuvke.** Zástrčku nikdy žiadnym spôsobom neupravujte. S uzemnenými mechanickými nástrojmi nepoužívajte rozdvojnú zásuvku. Použitím neupravených zástrčiek a zodpovedajúcich zásuviek sa znižuje riziko úrazu elektrickým prúdom.
- **Vyhýbajte sa telesnému kontaktu s uzemnenými povrchmi, napríklad rúrami, radiátormi, sporákmi a chladničkami.** Ak je vaše telo uzemnené, hrozí vysoké riziko úrazu elektrickým prúdom.
- **Nevystavujte produkt dažďu ani mokrému prostrediu.** Voda, ktorá vnikne do mechanického nástroja, zvyšuje riziko úrazu elektrickým prúdom.
- **Kábel nenamáhajte. Nikdy nepoužívajte kábel na**

prenášanie, ťahanie alebo odpájanie mechanického nástroja. Kábel nedávajte do blízkosti tepla, oleja, ostrých okrajov alebo pohyblivých dielov. Poškodené alebo zamotané káble zvyšujú riziko úrazu elektrickým prúdom.

- **Pri práci s mechanickým nástrojom v exteriéri používajte predlžovací kábel vhodný pre použitie v exteriéri.** S káblom vhodným pre použitie v exteriéri sa znižuje riziko úrazu elektrickým prúdom.
- **Ak je nevyhnutné pracovať s mechanickým nástrojom vo vlhkom prostredí, použite zdroj chránený zariadením pre zvyškový prúd.** Použitie zariadenia pre zvyškový prúd znižuje riziko úrazu elektrickým prúdom.

OSOBNÁ BEZPEČNOSŤ

- **Pri práci s mechanickým nástrojom buďte ostražití, sledujte, čo robíte a používajte zdravý rozum.** Nepoužívajte mechanický nástroj, keď ste unavení alebo pod vplyvom drog, alkoholu alebo liekov. Chvilka nepozornosti počas práce s mechanickými nástrojmi môže spôsobiť závažné osobné poranenie.
- **Používajte osobné ochranné pomôcky.** Vždy používajte chrániče zraku. Ochranné pomôcky ako protiprachová maska, protišmyková bezpečnostná obuv, pevný klobúk alebo chrániče sluchu, používané pre príslušné podmienky, znižujú riziko vzniku osobného poranenia.
- **Zabráňte neúmyselnému spusteniu.** Pred zapojením zariadenia do siete a/alebo k jednotke akumulátora, zdvíhaním alebo prenášaním nástroja vždy skontrolujte, či je spínač vo vypnutej polohe. Pri prenášaní mechanických nástrojov s prstom položeným na spínači alebo pripájaní mechanických nástrojov so zapnutým spínačom sa zvyšuje riziko úrazu.
- **Pred zapnutím nástroja odstráňte prípadný nastavovací klin alebo kľúč.** Keď necháte kľúč alebo klin nasadený na rotujúci diel mechanického nástroja, nástroje môže spôsobiť vážnemu poraneniu osôb.
- **Neprečeňujte sa.** Neustále zachovávajte pevnú oporu nôh a rovnováhu. Tak si zaistíte lepšiu kontrolu nad mechanickým nástrojom v nečakaných situáciách.
- **Primerane sa oblečte. Nenoste voľný odev ani šperky.** Vlasy, odev a rukavice nepribližujte k pohybujúcim sa dielom. Voľný odev, šperky či dlhé vlasy sa môžu zachytiť do pohyblivých častí.
- **Ak sú zariadenia vybavené pripojením na prostriedky na odsávanie a zber prachu, zaistíte, aby boli správne pripojené a primerane sa používali.** Pri použití týchto prostriedkov sa znižujú riziká pochádzajúce z prachu.

POUŽÍVANIE ELEKTRICKÉHO NÁSTROJA A STABILNOSŤ OŇ

- **Na nástroj nevyvíjajte silu.** Používajte vhodný nástroj pre dané použitie. Správny mechanický nástroj splní svoju úlohu lepšie a bezpečnejšie pri rýchlosti, na ktorú je určený.
- **Mechanický nástroj nepoužívajte, ak spínač nezapína a nevypína nástroj.** Mechanický nástroj,



ktorý sa nedá ovládať spínačom, je nebezpečný a musí sa dať opraviť.

- **Pred vykonaním akýchkoľvek úprav, výmene príslušenstva alebo odložením mechanického nástroja odpojte zástrčku zo sieťovej zásuvky a/alebo jednotky akumulátora.** Takéto preventívne opatrenie znižuje riziko neúmyselného spustenia mechanického nástroja.
- **Nečinné mechanické nástroje odložte mimo dosahu detí a nedovoľte používať mechanický nástroj osobám neoboznámeným s mechanickým nástrojom alebo týmito pokynmi.** Mechanické nástroje sú v rukách netrénovaných osôb nebezpečné.
- **Na mechanických nástrojoch vykonávajte údržbu. Skontrolujte, či pohyblivé diely nie sú nesprávne nastavené alebo zablokované, či niektoré diely nie sú poškodené, ako aj akýkoľvek iný stav, ktorý by mohol ovplyvniť činnosť mechanického nástroja. V prípade poškodenia nechajte mechanický nástroj pre použitím opraviť.** Veľké množstvo nehôd je spôsobených nedostatočnou údržbou mechanických nástrojov.
- **Rezacie nástroje udržiavajte ostré a v čistote.** Správne udržiavané rezacie nástroje s ostrými ostriami sa menej pravdepodobne zaseknú a ľahšie sa ovládajú.
- **Mechanický nástroj, príslušenstvo a vrtáky a pod., používajte v súlade s týmto návodom, pričom berte do úvahy pracovné podmienky a úlohu, ktorú chcete vykonať.** Pri používaní mechanického nástroja na iné ako určené činnosti môže dôjsť k nebezpečným situáciám.

POUŽÍVANIE AKUMULÁTORA A STAROSTLIVOSŤ OŇ

- **Nabíjajte len s použitím nabíjačky špecifikovanej výrobcom.** Nabíjačka, ktorá je vhodná pre jeden typ jednotky akumulátora, môže pri použití s inou jednotkou akumulátora spôsobiť riziko požiaru.
- **Používajte len mechanické nástroje so špecificky určenými jednotkami akumulátorov.** Pri použití iných jednotiek akumulátora vzniká riziko poranenia a požiaru.
- **Keď sa jednotka akumulátora nepoužíva, nedávajte ju do blízkosti iných kovových objektov, ako sú papierové sponky, mince, kľúče, kince, skrutky či iné malé kovové predmety, ktoré by mohli skratovať svorky.** Pri skratovaní svoriek akumulátora môže dôjsť k popáleninám alebo požiaru.
- **Za nevhodných podmienok, keď by z batérie vytekala kvapalina, predchádzajte kontaktu s ňou. Pri náhodnom kontakte opláchnite vodou. Ak tekutina zasiahne oči, dodatočne vyhľadajte lekársku pomoc.** Tekutina vytečená z akumulátora môže spôsobiť podráždenie alebo popáleniny.

OPRAVY

- **Servis mechanického nástroja prenechajte kvalifikovanému servisnému pracovníkovi s použitím len identických náhradných dielov.** Takto zachováte bezpečnosť mechanického nástroja.

POSTREKOVÁČ BURINY – BEZPEČNOSTNÉ VÝSTRAHY

- Nesprejajte zápalné kvapaliny, napríklad benzín, znížite tak riziko požiaru alebo explózie.
- Vždy dodržiavajte pokyny chemického výrobcu vytlačené na štítiku ich produktu na používanie, čistenie a skladovanie. Chemikálie sa musia skladovať mimo dosahu detí.
- Nesprejajte žiadny materiál, keď nepoznáme príslušné riziko.
- Ak chcete eliminovať vystavenie sprejovacím materiálom, používajte vhodné ochranné prostriedky, napríklad tvárovú masku na sprejovanie, rukavice a ďalšie príslušné ochranné prostriedky.
- Na čistenie produktu nepoužívajte horľavé rozpúšťadlá alebo abrazívne čistiace prostriedky.

VAROVANIE

Sprejovacie materiály nedávajte do blízkosti očí. Ak sa sprejovacie materiály dostanú do kontaktu s očami, ihneď ich omyte čistou vodou. Ak podráždenie pretrváva, okamžite vyhľadajte lekársku pomoc.

AKUMULÁTOR – BEZPEČNOSTNÉ VÝSTRAHY

- Nikdy nedovoľte deťom, osobám so zníženými fyzickými, duševnými alebo zmyslovými schopnosťami alebo s nedostatočnými skúsenosťami a znalosťami alebo osobám, ktoré nie sú oboznámené s týmto návodom, používať produkt.
- Oboznámte sa so všetkými nebezpečenstvami, ktoré predstavujú sprejovacie materiály. Pred použitím akéhokoľvek pesticídu či iných sprejovacích materiálov s produktom si pozorne prečítajte štítok na pôvodnej nádobe a dodržiavajte pokyny.
- Pri sprejovaní musia všetky okolostojace osoby, deti a domáce zvieratá, stáť mimo pracovného priestoru.
- Pred použitím produktu skontrolujte, či je sprejovacia tyč bezpečne pripojená k rukoväti sprejovacej tyče. V prípade potreby na nasadenie sprejovacej tyče na rukoväť sprejovacej tyče použite kliešte.
- Nezabudnite správne znova nasadiť a utiahnuť kryt sprejovacej nádržky po naliatí kvapaliny do sprejovacej nádržky.
- Používajte len spotrebné chemikálie na trávnik a do záhrady na báze vody.
- Nepoužívajte komerčne dostupné chemikálie alebo chemikálie na komerčné alebo priemyselné účely.
- S produktom nepoužívajte leptavé (alkalické), samočinne sa zahrievajúce alebo korozívne (kyselinové) kvapaliny. Tie môžu spôsobiť koróziu kovových dielov alebo oslabenie nádržky a hadice.
- Po použití produktu nenechávajte zvyškový alebo sprejovací materiál v sprejovacej nádržke. Po každom použití vyčistite.
- Do sprejovacej nádržky nelejte horúce alebo vriace kvapaliny. Tie môžu spôsobiť oslabenie hadice alebo sprejovacej nádržky.



- Nádržku neprepĺňajte.
- Vždy skontrolujte, či nedochádza k únikom. Ak zistíte akékoľvek, pred použitím produktu ich odstráňte.
- Priestor sprejovania musí byť dobre vetraný.
- Pred každým použitím vždy skontrolujte vnútro aj vonkajšie plochy produktu.
- Sprejované kvapaliny musia byť riedka ako voda. Hustejšie kvapaliny sa nebudú správne rozprašovať.
- V prípade potreby sa sprejovacie materiály môžu dopredu namiešať a naliať do sprejovacej nádržky pomocou lievika.

POZNÁMKA: Pri použití inej odmernej nádoby ako odmerka alebo pri použití lievika pri plnení nádržky dôkladne tieto položky po použití vyčistite a opláchnite. Pri predmiešavaní sprejovacích materiálov opláchnite nádobu používanú na zmiešavanie.

- Nesprejujte v priestoroch, kde sú iskry, plamene či iný zápalný zdroj.
- Nesprejujte v smere ľudí alebo zvierat. Vždy sprejujte po vetre.
- Pri práci s produktom nefajčíte, nejedzte ani nepite.
- Nevyprázdňujte priamo na pokožku.
- Dbajte na to, aby sprejovacie materiály neprišli do kontaktu s pokožkou. Ak predsa len dôjde ku kontaktu, bezodkladne umyte mydlom a množstvom vody.
- Namierte trysku priamo na rastliny alebo predmety, ktoré chcete sprejovať.
- Skontrolujte, či sprejovacie materiály smerujú do priestoru, ktorý sa sprejovacími materiálmi nepoškodí.
- Podľa možnosti nesprejujte vo veterných dňoch. Sprejovacie materiály sa môžu neúmyselne rozprášiť na rastliny alebo predmety, ktoré ste nechceli nasprejovať.
- Sprejovacie materiály nedávajte do blízkosti očí. Ak sa sprejovacie materiály dostanú do kontaktu s očami, ihneď ich umyte čistou vodou. Ak podráždenie pretrváva, okamžite vyhľadajte lekársku pomoc.
- Produkt možno obsluhovať s rukoväťou sprejovacej tyče vloženou vo vidlici alebo ju možno vybrať z vidlice a držať obsluhujúcim.
- Nebezpečenstvo zásahu elektrickým prúdom. Nesprejujte na elektrické zástrčky.
- Po každom použití si dôkladne umyte ruky a všetky miesta, kde došlo k vystaveniu pokožky spreju.
- Na produkte vykonávajte údržbu. Pred každým použitím vždy skontrolujte vnútro aj vonkajšie plochy produktu a skontrolujte komponenty. Skontrolujte, či nie sú prasknuté alebo opotrebované hadice, úniky, upchaté trysky a chýbajúce alebo poškodené diely. V prípade poškodenia nechajte produkt pred použitím opraviť. Mnoho nehôd je spôsobených nedostatočnou údržbou nástrojov.
- Pred vypúšťaním, čistením alebo uskladnením produktu vyberte z produktu akumulátor, aby nedošlo k neúmyselnému spusteniu.

Údaj o tom, že strojové zariadenie môže podliehať národným požiadavkám na pravidelné kontroly zodpovednými orgánmi, ako je stanovené v smernici

Európskeho parlamentu a Rady 2009/128/ES z 21. októbra 2009, ktorou sa ustanovuje rámec pre činnosť Spoločenstva na dosiahnutie trvalo udržateľného používania pesticídov.

NAMIEŠANIE ROZPRAŠOVACIEHO ROZTOKU

VAROVANIE

Chemické látky na prípravu roztokov miešajte presne podľa pokynov výrobcu. Nesprávne pomery v zmesi môžu vytvárať toxické plyny alebo výbušné roztoky.

- Nikdy nerozprašujte nezriedené tekuté chemické prípravky na ochranu rastlín.
- Roztok pripravujte a napĺňajte do nádoby iba vo vonkajších, dobre vetraných miestach.
- Pripravte si iba toľko roztoku, koľko budete potrebovať na svoju prácu, aby nič nezostalo.
- Nemiešajte rôzne chemické látky, iba ak je takáto zmes schválená výrobcom.

NAPLENENIE NÁDOBY

- Postavte postrekovač na rovný povrch, nenapĺňajte nádobu nad značku maximálnej hodnoty.
- Keď dopĺňate vodu z hlavného prívodu vody, neponárajte koniec hadice do roztoku. Náhly pokles tlaku v systéme môže spôsobiť spätné nasatie roztoku do prívodu vody.
- Pred naplnením nádoby z rozprašovacím roztokom, odskúšajte rozprašovač s čistou vodou a skontrolujte všetky diely postrekovača na nepriepustnosť.
- Po naplnení nasaďte uzáver nádrže a pevne ho dotiahnite.
- Na výrobok si zaveste kartičku s poznámkou, aké chemické látky sú použité.

POUŽITIE

- Pracujte iba v otvorených alebo dobre vetraných priestoroch, napr. otvorených skleníkoch.
- Nikdy neprefukujte trysky alebo iné súčasti ústami.
- Vyhýbajte sa kontaktu s chemickými látkami na ochranu rastlín, oblečenie znečistené chemickými látkami na ochranu rastlín si okamžite prelečte.
- Nepoužívajte postrekovač pri veternom počasí.
- Príliš vysoký alebo príliš nízky tlak alebo nepriaznivé poveternostné podmienky môžu spôsobiť nesprávnu koncentráciu roztoku. Prekročenie dávkovania môže poškodiť rastliny a životné prostredie. Nedostatočné dávkovanie môže spôsobiť neúčinnú starostlivosť o rastliny.
- Aby sa znížilo riziko poškodenia životného prostredia a rastlín, nepracujte s postrekovačom:
 - ak tlak v postrekovači je príliš vysoký alebo nízky
 - pri veternom počasí
 - na priamom slnečnom svetle
- Aby sa znížilo riziko porúch a poškodenia postrekovača, nikdy nepoužívajte postrekovačom s:
 - horľavými kvapalinami
 - viskóznymi alebo lepkavými kvapalinami



- žieravými alebo korozívnymi chemikáliami
 - horúci kvapalinami s teplotou vyššou ako 50 °C
- Vyhýbajte sa používaniu výrobku v ľadovej vode, pretože roztok by mohol stuhnúť.

PREPRAVA A SKLADOVANIE

- Vyberte jednotku akumulátora.
- Skontrolujte, či sú všetky diely čisté a suché.
- Odstráňte zo zariadenia všetky cudzie materiály.
- Vypustíte všetky postrekové materiály z nádrže postrekovača pred uskladnením a prepravou.
- Po každom použití skontrolujte nepriepustnosť všetkých častí výrobku. V prípade akejkoľvek netesnosti vráťte výrobok do autorizovaného servisného strediska.
- Sprejovaciu tyč možno odkladať do vidlice.
- Pri preprave zaistíte produkt pred pohybom alebo pádom, aby nedošlo k poraneniu osôb alebo poškodeniu produktu.
- Odložte ho na suché a dobre vetrané miesto, na ktoré nemajú prístup deti. Náradie neuskladňujte v blízkosti žieravých látok, ako napríklad v blízkosti záhradníckych chemických prípravkov alebo solí na zimný posyp komunikácií. Neskladujte v exteriéri.

ÚDRŽBA

Pri čistení plastových dielov nepoužívajte rozpúšťadlá. Veľa plastov je citlivých na poškodenie rôznymi typmi komerčných rozpúšťadiel a môžu byť nimi poškodené. Na odstránenie špiny, prachu, oleja, maziva a pod. použite čisté tkaniny.

⚠ VÝSTRAHA

Dbajte na to, aby do kontaktu s plastovými dielmi nikdy neprišli do kontaktu brzdové kvapaliny, benzín, ropné produkty, prenikavé oleje a pod. Chemikálie môžu poškodiť, oslabiť či zničiť plast, čo môže spôsobiť závažné osobné poranenie.

⚠ VAROVANIE

Používajte len originálne náhradné diely, príslušenstvo a nástavce výrobcu. V opačnom prípade môže dôjsť k možnému poraneniu, nedostatočnému výkonu a strate platnosti záruky.

⚠ VAROVANIE

Údržba vyžaduje extrémnu starostlivosť a znalosti, a musí byť prevádzaná výhradne v autorizovanom servise. Z dôvodu servisu vám odporúčame vrátiť výrobok do najbližšieho autorizovaného servisného centra na opravu. Ak výrobok opravujete, používajte iba rovnaké originálne náhradné diely.

⚠ VAROVANIE

Aby nedošlo k vážnemu telesnému poraneniu, vždy vyberte jednotku akumulátora z produktu pri čistení alebo vykonávaní akejkoľvek údržby.

- Môžete vykonávať len úpravy alebo opravy popísané v tejto príručke. Pri ostatných opravách sa obráťte na autorizovaného servisného zástupcu.
 - Po každom použití vyčistíte produkt podľa popisu v tejto príručke.
 - Pred čistením vypustíte a vyprázdните sprejovaciu nádržku.
 - Materiály vypustíte cez plniaci priestor.
- POZNÁMKA:** Vypustíte všetky sprejovacie materiály zo sprejovacej nádržky do nádoby určenej na chemikálie. V sprejovacej nádržke neskladujte chemikálie.
- Na čistenie a oplachovanie sprejovacej nádržky použite čistú vodu. Možno pridať malé množstvo slabého domáceho saponátu.
 - Utrite produkt čistou suchou tkaninou.
 - Sprejovaciu nádržku môže byť potrebné opláchnuť viackrát.

LIKVIDÁCIA

Nikdy nevpúšťajte zvyšky chemikálií alebo kontaminovaných preplachovacích roztokov do vodných tokov, výpustov, kanalizácie, pouličných odkvapov alebo studní.

Zvyšky chemikálií a použité nádoby likvidujte v súlade s miestnymi predpismi o likvidácii odpadu.

ZVYŠKOVÉ RIZIKÁ:

Aj keď sa nástroj používa podľa predpisu, nie je možné eliminovať určité zvyškové rizikové faktory. Pri použití vznikajú nasledujúce riziká a obsluhujúca osoba musí venovať zvláštnu pozornosť, aby nedošlo k nasledovnému:

- Zásah elektrickým prúdom. Nikdy nesprejujte kvapalinu na elektrické zástrčky, káble alebo zariadenia.
- Kontakt s nebezpečnými látkami. Sprejovacie materiály môžu byť škodlivé, pokiaľ dôjde k ich vdýchnutiu, požitiu alebo ich kontaktu s pokožkou alebo očami. Dôkladne dodržiavajte pokyny a používajte vhodné ochranné prostriedky podľa predpisu v tejto príručke.

⚠ VAROVANIE

Pri dlhodobom alebo zvýšenom používaní môže dôjsť k zraneniam. Pri používaní nástroja príliš dlhé obdobia si vždy doprajte pravidelné prestávky.

OBOZNÁMTE SA S VAŠIM PRODUKTOM

Pozrite stranu 135.

DIELY

1. Kryt/odmerná miska sprejovacej nádržky
2. Rukoväť sprejovacia tyč
3. Hlavný spínač
4. Spúšť s poisťkou
5. Port na batériu
6. Sprejovacia tyč
7. Tryska
8. Hadica
9. Kryt motora
10. Nádrž

- 11. Západka (x2)
- 12. Batéria
- 13. Nabíjačka

SYMBOLY NA PRODUKTE



Výstražná značka



Pred použitím produktu si s porozumením prečítajte všetky pokyny a dodržiavajte výstražné a bezpečnostné upozornenia.



Používajte chrániče zraku



Používajte masku.



Používajte protišmykové rukavice odolné voči kvapalinám.



Pri používaní tohto produktu používajte nešmykľavú obuv.



Nevystavujte dažďu ani nepoužívajte vo vlhkom prostredí.



Vyhovuje všetkým regulačným normám v krajine EÚ, v ktorej bol výrobok zakúpený.



Euroázijská značka zhody



Ukrajinské označenie zhody



Opatrebované elektrické zariadenia by ste nemali odhadzovať do domového odpadu. Prosíme o recykláciu ak je možné. Kontaktujte miestne úrady, alebo predajcu pre viac informácií ohľadom ekologického spracovania.

Nasledujúce signálne slová a významy slúžia na vysvetlenie úrovni rizika súvisiacich s produktom:



NEBEZPEČENSTVO

Označuje bezprostredne nebezpečnú situáciu, ktorá môže vyústiť v smrť, alebo vážne zranenie.



VAROVANIE

Označuje potenciálne nebezpečnú situáciu, ktorá môže vyústiť v smrť, alebo vážne zranenie.



VÝSTRAHA

Označuje potenciálne nebezpečnú situáciu, ktorá môže vyústiť v ľahké, alebo stredne ťažké zranenie.

(Bez symbolu bezpečnostného alarmu) Označuje situáciu, ktorá môže zapríčiniť poškodenie majetku.

VÝSTRAHA

SYMBOLY V TOMTO NÁVODE



Zastavte zariadenie.



Zamknuté



Odomknuté



Diely alebo príslušenstvo predávané samostatne



Poznámka



Varovanie



Безопасността, производителността и надеждността са аспектите, на които е отделен най-голям приоритет при проектирането на вашата безжична градинска пръскачка.

ПРЕДНАЗНАЧЕНИЕ

Градинската пръскачка е предназначена за използване само на открито и в проветрена зона.

Продуктът е предназначен за разпръскване на домашни потребителски и градински химикали, като например инсектициди, фунгициди, хербициди и торове. Продуктът може да се използва също и за водни растения.

Не използвайте продукта за цели, различни от описаните по-горе. Продуктът не трябва да се използва от деца, както и от лица, които не носят подходящи лични предпазни средства и облекло.

ОБЩИ ПРЕДУПРЕЖДЕНИЯ ЗА БЕЗОПАСНОСТ

⚠ ПРЕДУПРЕЖДЕНИЕ

Прочетете всички предупреждения относно безопасността и всички инструкции. Неспазването на предупрежденията и инструкциите може да доведе до токов удар, пожар и/или сериозни наранявания.

Съхранявайте всички предупреждения и инструкции за бъдещи справки.

Терминът "електрически инструмент" в предупрежденията се отнася за вашия инструмент - със захранване от електрическата мрежа (с кабел) или на батерия (безжичен).

БЕЗОПАСНОСТ НА РАБОТНАТА ЗОНА

- **Поддържайте работното пространство чисто и добре осветено.** Безпорядъкът или тъмнината в работното пространство са предпоставка за злополуки.
- **Не използвайте електрически инструменти в експлозивни среди, например в присъствието на запалителни течности, газове или прах.** По време на работа електрическите инструменти произвеждат искри, които могат да възпламенят прах или пари.
- **Дръжте децата и страничните наблюдатели далече, докато боравите с електрически инструмент.** Ако вниманието ви бъде отклонено, може да загубите контрола над електрическия инструмент.

ЕЛЕКТРИЧЕСКА БЕЗОПАСНОСТ

- **Щепселът на електрическия инструмент трябва да е съвместим с контакта. В никакъв случай не внасяйте изменения в конструкцията на щепсела.** Когато работите със занулени електрически инструменти, не използвайте адаптери за щепсела. Използването на оригиналните щепсели и контакти намалява риска от токов удар.

- **Избягвайте допир със заземени повърхности, като тръби, радиатори, печки и хладилници.** Когато тялото ви е заземено, рискът от възникване на токов удар е по-голям.
- **Не излагайте продукта на дъжд или влажни условия.** Проникването на вода в електрическия инструмент повишава опасността от токов удар.
- **Не насилвайте захранващия кабел. Никога не носете, не изключвайте и не дърпайте електрическия инструмент за кабела.** Предпазвайте кабела от нагриване, омасляване, допир до остри ръбове или до подвижни звена на машини. Повредените или усукани кабели увеличават риска от токов удар.
- **Когато работите с електрически инструмент на открито, използвайте само удължителни кабели, предназначени за работа на открито.** Използването на удължител, предназначен за работа на открито, намалява риска токов удар.
- **Ако не можете да избегнете използването на електрически инструмент на влажно място, използвайте RCD (прекъсвач със защитно изключване).** Използването на RCD намалява опасността от електрически удар.

ЛИЧНА БЕЗОПАСНОСТ

- **Бъдете бдителни, внимавайте какво правите и проявявайте благоразумие, когато боравите с електрически инструмент.** Не използвайте електрическия инструмент, когато сте уморени или под влиянието на наркотични вещества, алкохол или лекарства. Миг невнимание, докато боравите с електрически инструмент, е достатъчен за получаването на сериозни наранявания.
- **Използвайте лична защитна екипировка. Винаги носете защитни очила.** Защитната екипировка, като маска против прах, пригодени против плъзгане защитни обувки, твърда шапка или антифони, използвани за подходящите условия, ще намали опасността от физически наранявания.
- **Не допускайте нежелано стартиране.** Преди да вдигате или носите инструмента и преди да го включвате в електрическата мрежа и/или батерия, винаги проверявайте дали превключвателят е на позиция OFF (изкл). Носенето на инструмента с пръст върху превключвателя или включването му към електричеството, докато превключвателят му е на включен, е предпоставка за злополуки.
- **Махнете всички гаечни или френски ключове за настройка преди да включите инструмента.** Помощен инструмент, забравен на въртящ се елемент, може да доведе до физически наранявания.
- **Не се протягайте, за да работите на трудно достижими места.** Винаги стъпвайте стабилно по време на работа и пазете равновесие. Това дава възможност за по-добър контрол над електрическия инструмент в неочаквани ситуации.
- **Обличайте се целесъобразно. Не носете широки дрехи или украшения.** Дръжте косата, дрехите





и ръкавиците си на безопасно разстояние от подвижните елементи. Широките дрехи, украшенията, дългите коси могат да бъдат захванати и увлечени от движещи се елементи.

- Ако устройствата са оборудвани със съоръжение за издърпване и събиране на прах, уверете се, че е то свързано и функционира правилно. Използването на устройствата за събиране на прах ще намали рисковете, свързани с работа в прашни условия.

ИЗПОЛЗВАНЕ И ОБСЛУЖВАНЕ НА ЕЛЕКТРИЧЕСКИЯ ИНСТРУМЕНТ

- Не насилвайте продукта. Използвайте електрически инструмент, съобразно неговото предназначение. Правилно подбраният електрически инструмент ще свърши работата по-добре и по-безопасно в зададения от производителя диапазон на натоварване.
- Не използвайте електрически инструменти, чиито пусков прекъсвач е повреден. Електрически инструмент, който не може да бъде контролиран посредством превключвател, е опасен и трябва да бъде ремонтиран.
- Изключете щепсела от източника на захранване и/или батерията от електрически инструмент, преди да извършвате каквито и да е корекции, да сменят принадлежностите и преди съхраняване на електрическите инструменти. Тази мярка премахва опасността от задействане на електрическия инструмент по невнимание.
- Съхранявайте незаетите електрически инструменти на недостъпни за деца места и не позволявайте на лица, непознати с инструмента или с тези указания, да боравят с него. Когато са в ръцете на неопитни потребители, електрическите инструменти могат да бъдат изключително опасни.
- Поддържайте електрическите инструменти в изправност. Проверявайте за неизправности или заклиняване в подвижните елементи, за счупени части или други обстоятелства, които могат да влошат работата на електрическия инструмент. Преди да използвате електрическия инструмент, се погрижете повредите да бъдат отстранени. Много от трудовите злополуки се дължат на недобре поддържани електрически инструменти.
- Поддържайте режещите инструменти винаги добре заточени и чисти. Инструменти, за които е полагана правилна грижа и са с добре наточени режещи елементи, се управляват по-лесно и вероятността да заядат е по-малка.
- Използвайте електрическите инструменти, принадлежностите и режещите и др. части съобразно тези указания, като се съобразявате с работните условия и с работата, която ще извършвате. Използването на електрически инструменти за различни от предвидените от производителя приложения повишава опасността от възникване на трудови злополуки.

ИЗПОЛЗВАНЕ И ОБСЛУЖВАНЕ НА ИНСТРУМЕНТА С БАТЕРИЯ

- Презареждайте единствено със зарядното устройство, посочено от производителя. Зарядно устройство, подходящо за зареждане на един вид батерии, може да предизвика риск от пожар, ако бъде използвано за други батерии.
- Използвайте електрически инструменти с батерии единствено със специално предназначение за тях батерии. Използването на всякакви други батерии може да създаде риск от нараняване и пожар.
- Когато батерията не се използва, съхранявайте я далеч от други метални обекти, като например кламери, монети, ключове, гвоздеи, гайки или други малки метални обекти, които могат да направят връзка между клемите. Късото съединение от клемите може да доведе до изгаряния или пожар.
- При неправилно използване батерията може да отдели течност; избягвайте контакт. Ако случайно настъпи контакт, промийте с вода. Ако течността влезе в контакт с очите, потърсете допълнително медицинска помощ. Отделената от батерията течност може да причини възпаление или изгаряния.

СЕРВИЗНО ОБСЛУЖВАНЕ

- Ремонтът на електрическите инструменти трябва да се извършва само от квалифицирани специалисти и само с използването на оригинални резервни части. По този начин се гарантира поддържането на безопасност при работа с електрическия инструмент.

ПРЕДУПРЕЖДЕНИЯ ЗА БЕЗОПАСНА РАБОТА С ГРАДИНСКАТА ПРЪСКАЧКА

- Не разпръсквайте запалими течности (например бензин), за да намалите риска от пожар или експлозия.
- Винаги следвайте инструкциите от производителя на химикала, отпечатани на съответния продукт и касаещи неговото използване, почистване и съхранение. Химикалите трябва да се съхраняват далеч от досега на деца.
- Не пръскайте с материали, ако не сте запознати с тяхната степен на опасност.
- За да ограничите излагането си на разпръсквателните материали, носете одобрено защитно оборудване, като например маска за предпазване на лицето при пръскане, ръкавици и други подходящи защитни средства.
- Не използвайте запалими разтворители или абразивни почистващи препарати, за да почиствате продукта.



▲ ПРЕДУПРЕЖДЕНИЕ

Дръжте разпръсквателните материали далеч от очите. Ако в очите ви попадне разпръсквателен материал, незабавно ги изплакнете с чиста вода. Ако все още изпитвате раздразнения, незабавно потърсете медицинска помощ.

ДОПЪЛНИТЕЛНИ ПРЕДУПРЕЖДЕНИЯ ЗА БЕЗОПАСНОСТ

- Никога не позволявайте продуктът да бъде използван от: деца; лица с намалени физически, сетивни или умствени способности; лица без необходимите опит и знания; лица, които не са запознати с настоящите инструкции.
- Внимавайте за опасности, произтичащи от разпръсквателните материали. Преди да използвате продукта с пестициди или други разпръсквателни материали, внимателно прочетете етиката на съответната оригинална опаковка и следвайте инструкциите.
- Докато пръскате, не позволявайте присъствието на странични наблюдатели, деца или животни в работната зона.
- Уверете се, че пръскалката е стабилно свързана към ръкохватката, преди да използвате продукта. При необходимост използвайте клещи, за да прикачите стабилно пръскалката към ръкохватката.
- Не забравяйте да поставите обратно капака на резервоара и да го затегнете здраво, след като сте нахали течността.
- Използвайте само потребителски химикали на водна основа, предназначени за градини и тревни площи.
- Не използвайте промишлени химикали или химикали, предназначени за промишлени или индустриални цели.
- Не използвайте продукта с разяждащи (алкални), самонагриващи се или корозивни (киселинни) течности. Такива вещества могат да предизвикат корозия на металните части или да отслабят издръжливостта на резервоара и маркуча.
- Не оставяйте остатъчен разпръсквателен материал в резервоара, след като се приключила работа с продукта. Почиствайте след всяка употреба.
- Не изливяйте горещи или врящи течности в резервоара. Това може да доведе до отслабване или повреждане на маркуча или резервоара.
- Не препълвайте резервоара.
- Винаги проверявайте за течове. Ако откриете такива, ги отстранете, преди да използвате продукта.
- Зоната за пръскане трябва да е добре проветрена.
- Винаги проверявайте вътрешната и външната част на продукта преди всяка употреба.
- Разпръскваните материали не трябва да са по-плътни от водата. По-плътните течности няма да се разпръснат правилно.

- Разпръсквателните материали могат да бъдат смесени предварително и налети в резервоара с фуния, ако това е необходимо.

ЗАБЕЛЕЖКА: Когато използвате измервателен съд, различен от измервателната чаша, или когато пълните резервоара с фуния, почиствайте и измивайте внимателно съда или фунията след всяка употреба. Когато предварително смесвате разпръсквателни материали, трябва да сте изплакнали съда, в който ще смесвате материалите.

- Не пръскайте в условия, където могат да възникнат искри, пламъци или други запалителни източници.
- Не пръскайте срещу хора или животни. Винаги пръскайте по посока на вятъра.
- Не пушете и не консумирайте храна и напитки, докато използвате продукта.
- Не пръскайте директно върху кожата.
- Не позволявайте разпръсквателните материали да влизат в контакт с кожата. Ако все пак възникне контакт, незабавно измийте със сапун и обилно количество вода.
- Насочвайте струйника директно към растенията или предметите, които искате да напърскате.
- Уверете се, че пръскате материалите към област, която няма да бъде повредена от тях.
- Избягвайте да пръскате при ветровито време. Разпръсквателните материали могат случайно да бъдат издухани към растения или предмети, които не бива да бъдат пръскани.
- Дръжте разпръсквателните материали далеч от очите. Ако в очите ви попадне разпръсквателен материал, незабавно ги изплакнете с чиста вода. Ако все още изпитвате раздразнения, незабавно потърсете медицинска помощ.
- С продукта може да се работи, докато пръскалката е застопорена върху корпуса, но също така пръскалката може да се извади от корпуса и да се държи в ръка от оператора.
- Опасност от токов удар. Не пръскайте срещу електрически контакти.
- След всяка употреба старателно измивайте ръцете си и всички други области на тялото, които са били изложени на разпръснатата течност.
- Поддържайте продукта. Преди всяка употреба инспектирайте внимателно вътрешната и външната част на продукта и проверявайте изправността на компонентите. Проверявайте за напукани или износени маркучи, течове, запушени струйници и липсващи или повредени части. Ако продуктът се повреди, той трябва да бъде поправен, преди да го използвате отново. Много от трудовете злополуки се дължат на недобре поддържани продукти.
- Преди да източвате, почиствайте или прибирате продукта за съхранение, сваляйте акумулаторната батерия, за да предотвратите непреднамерено стартиране на продукта.

Индикация, че машината може да подлежи на националните изисквания за редовни проверки от определените органи, както е предвидено в Директива

2009/128/ЕО на Европейския парламент и на Съвета от 21 октомври 2009 г. за установяване на рамка за действие на Общността за постигане на устойчиво използване на пестициди.

СМЕСВАНЕ НА РАЗТВОРА ЗА ПРЪСКАНЕ

⚠ ПРЕДУПРЕЖДЕНИЕ

Смесвайте химикалите стриктно в съответствие с указанията на производителя. Неправилните смеси могат да образуват токсични газове или експлозивни разтвори.

- Никога не пръскайте неразредени течни химикали за контрол на растения.
- Пригответе разтвор и пълнете съда само на открито или в добре проветриви места.
- Пригответе достатъчно разтвор само за текущото пръскане, така че да не остане никакъв разтвор.
- Не смесвайте различни химикали, освен ако такава смес не е одобрена от производителя.

ПЪЛНЕНЕ НА СЪДА

- Поставете пръскачката изправена на равна повърхност и не пълнете съда над максималната граница.
- При пълнене от централното водоснабдяване, не потапяйте края на маркуча в разтвора. Внезапно ниско налягане в системата може да доведе до обратно засмукване на разтвора в подаването на вода.
- Преди пълнене на съда с разтвор за пръскане, направете тест с прясна вода и проверете всички части на пръскачката за течове.
- След напълване поставете капачката на съда и я затегнете здраво.
- Поставете етикет на продукта, за да отбележите какъв химикал се използва.

ПРИЛОЖЕНИЕ

- Работете само на открито или в добре проветриви места, например в отворени оранжерии.
- Никога духайте с уста през дюзите или други компоненти.
- Избягвайте контакт с химикали за контрол на растения и незабавно сменете дрехите, замърсени с химикали за контрол на растения.
- Да не се пръска при ветровити условия.
- Прекалено високо или прекалено ниско налягане или неблагоприятни климатични условия могат да доведат до неправилна концентрация на разтвора. Предозирането може да увреди растенията и околната среда. Предозирането може да доведе до неуспешно третиране на растенията.
- С цел да се намали риска от увреждане на околната среда и растенията, не работете с пръскачката:
 - ако налягането е твърде високо или твърде ниско
 - когато е ветровито

- на пряка слънчева светлина
- С цел намаляване на риска от злополуки и увреждане на пръскачката, никога не използвайте пръскачката с:
 - запалими течности
 - вискозни или лепкави течности
 - разяждащи или корозивни химикали
 - течности, по-горещи от 50°C
- Избягвайте да използвате продукта при много студено време, понеже разтворът може да замръзне.

ТРАНСПОРТИРАНЕ И СЪХРАНЕНИЕ

- Отстранете батерията.
- Уверете се, че всички части са чисти и сухи.
- Почистете продукта от всички чужди частици.
- Преди съхранение и транспортиране източете от съда всички материали за пръскане.
- След всяко използване проверявайте всички части на продукта за течове. Занесете продукта в оторизиран сервизен център за ремонт, ако има такъв.
- Пръскачката може да се съхранява върху корпуса.
- Когато транспортирате продукта, го обезопасете така, че да не може да се движи или да падне, защото това може да доведе до евентуални наранявания на хора или повреди по продукта.
- Съхранявайте я на хладно, сухо и добре проветрявано място, което е недостъпно за деца. Не го оставяйте в близост до корозивни материали като градински химикали или соли за размразяване. Не съхранявайте на открито.

ПОДДРЪЖКА

Избягвайте използването на разтворители при почистването на пластмасовите части. Повечето пластмаси са чувствителни към различни видове разтворители и може да се повредят при използването на такива. Използвайте чисти парцали, за да премахнете кал, прах, масло, грес и т.н.

⚠ ВНИМАНИЕ

В никакъв случай не позволявайте пластмасовите части да влизат в контакт със спирални течности, нефтени продукти, проникващи масла и т.н. Химикалите могат да повредят, отслабят или унищожат пластмасата, което може да доведе до сериозни физически наранявания.

⚠ ПРЕДУПРЕЖДЕНИЕ

Използвайте само оригинални резервни части, аксесоари и приставки от производителя. В противен случай може да се влоши работата на инструмента или да получите тежки контузии, а гаранцията ви ще стане невалидна.

⚠ ПРЕДУПРЕЖДЕНИЕ

Сервизното обслужване изисква изключително внимание и специфични познания и следва да бъде извършвано само от квалифициран техник. За сервизно обслужване и поправка препоръчваме да занесете продукта до най-близкия упълномощен център за ремонт. При ремонт използвайте само идентични резервни части.

⚠ ПРЕДУПРЕЖДЕНИЕ

За да избегнете сериозни физически наранявания, винаги изваждайте акумулаторната батерия от продукта при извършване на дейности по почистване или поддръжка.

- Можете да правите само такива настройки и поправки, които са описани в настоящото ръководство. За други поправки се свържете с агент на упълномощения сервиз.
- След всяка употреба почиствайте продукта, както е описано в настоящото ръководство.
- Източвайте и изпразвайте резервоара преди почистване на продукта.
- Източвайте разпръсквателните материали през областта за пълнене.

ЗАБЕЛЕЖКА: Източвайте всички разпръсквателни материали от резервоара в съд, който е пригоден за съхраняване на химикали. Не съхранявайте химикали в резервоара.

- Използвайте чиста вода, за да почиствате и изплаквате резервоара. Може да се добави малко количество домашен почистващ препарат.
- Избършете продукта с чиста и суха кърпа.
- Може би ще трябва да изплакнете резервоара повече от един път.

ИЗХВЪРЛЯНЕ

Никога не изхвърляйте остатъчни химикали или замърсени отпадъчни разтвори във водни пътища, канализация, канализационни тръби, улични канавки или ревизионни шахти.

Изхвърляйте остатъчните химикали и употребяваните съдове в съответствие с местните разпоредби за изхвърляне на отпадъци.

НЕПРЕДВИДЕНИ РИСКОВЕ.

Дори когато продуктът се използва по предназначение, е невъзможно напълно да се ограничи влиянието на определени рискови фактори. Рисковете, описани по-долу, може да възникнат по време на употреба и операторът трябва да внимава за избягването на следното:

- Токов удар. Никога не пръскайте течности срещу електрически контакти, кабели или уреди.
- Контакт с опасни вещества. Разпръсквателните материали могат да бъдат опасни, ако бъдат вдишани или погълнати, а също и ако влязат

в контакт с кожата или очите. Следвайте инструкциите внимателно и носете подходящо защитно оборудване, както е описано в настоящото ръководство.

⚠ ПРЕДУПРЕЖДЕНИЕ

Продължителното използване на инструмента може да доведе до наранявания или влошаване. При използване на инструмента за продължителни периоди от време правете чести почивки.

ОПОЗНАЙТЕ ВАШИЯ ПРОДУКТ

Вж. страница 135.

ЧАСТИ

1. Капак/измервател на резервоара
2. Ръкохватка на пръскалката
3. Бутон on/off (вкл./изкл.)
4. Спусък с фиксатор
5. Гнездо за батерията
6. Пръскалка
7. Дюзa
8. Маркуч
9. Корпус на мотора
10. Резервоар
11. Закопчалка (x2)
12. Батерия
13. Зарядно устройство

СИМВОЛИ НА ПРОДУКТА



Предупреждение относно безопасността



Прочетете и осмислете всички указания, преди да започнете работа с продукта; спазвайте всички предупреждения и инструкции за безопасност.



Носете защитни средства за очи



Носете маска.



Носете водоустойчиви ръкавици, пригодени против плъзгане.



Носете непъرزалиящи се защитни обувки, когато използвате продукта.



Не излагайте на дъжд и на влажни условия.



Тази машина е в съответствие с нормативната уредба на държавата от ЕС, където е била закупена.



EurAsian знак за съответствие



Украински знак за съответствие



Електрическите уреди не трябва да се изхвърлят заедно с битовите отпадъци. Рециклирайте, където има възможност. Обърнете се за съвет по рециклирането към местните власти или разпространителите.

Следните сигнални думи и техните съответни значения обясняват нивата на опасност, свързани с употребата на този продукт:

 ОПАСНОСТ

Указва неминуемо опасна ситуация, която ако не бъде избегната, ще доведе до сериозни наранявания или смърт.

 ПРЕДУПРЕЖДЕНИЕ

Указва потенциално опасна ситуация, която ако не бъде избегната, може да доведе до сериозни наранявания или смърт.

 ВНИМАНИЕ

Указва потенциално опасна ситуация, която ако не бъде избегната, може да доведе до дребни или средни наранявания.

ВНИМАНИЕ

(Без предупредителен символ за безопасност) Указва ситуация, която може да доведе до имуществени щети.

СИМВОЛИ В НАСТОЯЩОТО РЪКОВОДСТВО



Спрете продукта.



Ключалка



Отключване



Частите или принадлежностите се продават отделно



Забележка



Предупреждение



В дизайні бездротового гербіцидного обприскувача вищий пріоритет наданий безпеці, продуктивності і надійності.

ПЕРЕДБАЧУВАНОМУ ВИКОРИСТАННІ

Продукт призначений тільки для використання на відкритому повітрі у добре провітрюваній області.

Виріб сконструйовано для розпилювання побутових та садових хімікатів, таких як інсектициди, фунгіциди, гербіциди та добрив. Виріб також може використовуватись для зволоження рослин.

Не використовуйте продукт для будь-якої мети, не перерахованої вище. Продукт не призначений для використання дітьми або особами, які не мають відповідних засобів індивідуального захисту та одягу.

ЗАГАЛЬНІ ЗАХОДИ БЕЗПЕКИ

▲ ПОПЕРЕДЖЕННЯ

Прочитайте всі правила безпеки та інструкції. Недотримання попереджень та інструкцій може призвести до ураження електричним струмом, пожежі та / або серйозної травми.

Збережіть всі інструкції і вказівки для майбутнього використання.

Термін "електроінструмент" у попереджувальних повідомленнях відноситься до вашого мережевого електроінструменту (дротового) або електроінструменту, що живиться від акумуляторної батареї (бездротового).

БЕЗПЕКА РОБОЧОГО МІСЦЯ

- Утримуйте робоче місце в чистоті і добре освітленим. Безлад на робочому місці або темні місця спричиняють аварії.
- Не використовуйте продукт у вибухонебезпечних атмосферах, наприклад, у присутності легко займистих рідин, газів або пилу. Під час роботи косарки виникають іскри, що можуть призвести до займання пилу або парів.
- Тримайте дітей та сторонніх осіб подалі під час роботи електроінструментом. Відволікання уваги може призвести до втрати контролю.

ЕЛЕКТРОБЕЗПЕКА

- Вилка живлення електроінструменту повинна відповідати розетці. Ніколи не змінюйте вилку. Не використовуйте ніякі вилки-перехідники з заземленими (замкнутими на землю) електроінструментами. Не змінені вилки та відповідні розетки зменшують ризик ураження електричним струмом.
- Уникайте контакту тіла з заземленими поверхнями, такими як труби, радіатори, плити та холодильники. Якщо ваше тіло заземлене, існує підвищений ризик ураження електричним струмом.
- Не піддавайте електроінструменти впливу дощу або вологих умов. Попадання води на пристрій

збільшує ризик ураження електричним струмом.

- Не зловжуйте шнур. Ніколи не використовуйте шнур живлення для перенесення, переміщення або вилучення вилки з розетки. Тримайте шнур подалі від тепла, масла, гострих кромок або рухомих частин. Пошкоджені або заплутані шнури збільшують ризик ураження електричним струмом.
- При роботі з електроінструментом на вулиці, використовуйте подовжувач, відповідний для використання на відкритому повітрі. Використання кабелю, придатного для використання на відкритому повітрі, знижує ризик ураження електричним струмом.
- При роботі з електроінструментом у вологому середовищі використовуйте залишковий поточний пристрій (ЗПП) захищеного живлення. Використання ЗПП знижує ризик ураження електричним струмом.

ОСОБИСТА БЕЗПЕКА

- Будьте уважні, дивіться, що ви робите, і використовуйте здоровий глузд при експлуатації виробу. Не працюйте з виробом, коли ви втомлені або знаходитесь під дією наркотиків, алкоголю або медикаментів. Найменша необережність при роботі з електроінструментом може призвести до серйозних травм.
- Використовуйте персональне захисне обладнання. Завжди одягайте захисні окуляри. Використання для відповідних умов захисного обладнання, наприклад, пілозахисної маски, нековзаючого захисного взуття, шолому-каска або навушників, знижує можливість травми.
- Запобігайте випадкового запуску. Переконайтеся, що вимикач знаходиться у вимкненому положенні перед підключенням до джерела живлення та / або акумуляторної батареї, підніманням або переміщенням інструменту. Не переносьте електроінструмент з пальцем на вимикачі або подачею живлення на інструмент, який має перемикач, щоб запобігти нещасного випадку.
- Перед включенням електроінструменту знімайте регулювальний або гайковий ключ. Гайковий ключ або регулювальний ключ, залишений на обертаємій частині електроінструменту, може призвести до травми.
- Не тягніться. Зберігайте правильну стійку і баланс весь час. Це дозволяє краще контролювати інструмент в несподіваних ситуаціях.
- Одягайтеся правильно. Не носіть вільний одяг або прикраси. Тримайте волосся, одяг і рукавички подалі від рухомих частин. Вільний одяг, прикраси або довге волосся можуть потрапити в рухомі частини.
- Якщо є пристрої для підключення для збору пилу, переконайтеся, що вони під'єднані і використовуються правильно. Використання пилозбірника знижує небезпеку, пов'язану з запиленістю.





ВИКОРИСТАННЯ ТА ДОГЛЯД ЗА ЕЛЕКТРОІНСТРУМЕНТОМ

- Не перевантажуйте електроінструмент. Використовуйте відповідний для вашої потреби електроінструмент. Електроінструмент виконає роботу краще і безпечніше при швидкості, для якої він був розроблений.
- Не використовуйте електроінструмент, якщо перемикач не включає та вимикає його. Будь-який електроінструмент, яким не можливо керувати за допомогою перемикача - небезпечний і повинен бути відремонтований.
- Відключіть вилку від джерела живлення та / або від акумулятора електроінструменту, перш ніж робити будь-які регулювання, зміну приладдя або при зберіганні електроінструменту. Такі запобіжні заходи знижують ризик випадкового запуску приладдя.
- Зберігайте непрацюючі електроприлади у недоступному для дітей місці і не дозволяйте особам, які не знайомі з інструкціями електричного прилада або з даними інструкціями, працювати з електроприладами. Електроінструменти небезпечні в руках недосвідчених користувачів.
- Обслуговуйте електроінструмент. Перевіряйте рухомі частини на наявність зміщення елементів або некоректного з'єднання, а також поломки та будь-яких інших чинників, які можуть вплинути на роботу електроінструменту. Якщо пошкоджений, відремонтуйте електроінструмент перед використанням. Багато нещасних випадків є наслідком поганого догляду за електроінструментом.
- Тримайте ріжучий інструмент гострим і чистим. Добре доглянутий ріжучий інструмент з гострими кінцями крайками рідше зв'язується і легше контролюється.
- Використовуйте електроприлади, приладдя та насадки відповідно до цих інструкцій, урахувавши умови та характер роботи. Використання електричного інструменту для операцій, які відрізняються від призначених, може призвести до небезпечної ситуації.

ВИКОРИСТАННЯ І ДОГЛЯД ІНСТРУМЕНТУ НА БАТАРЕЙКАХ

- Перезаряджати тільки за допомогою зарядного пристрою, зазначеного виробником. Зарядний пристрій, що підходить для одного типу акумуляторів, може створити ризик загоряння при використанні з іншим акумуляторним блоком.
- Використовуйте електроінструменти тільки з призначеними для них акумуляторами. Використання будь-яких інших акумуляторів, може створити ризик отримання травми і пожежі.
- Коли акумуляторна батарея не використовується, тримайте її подалі від металевих предметів, таких як кліпси, монети, ключі, цвяхи, гвинти або інші невеликі металеві предмети, які можуть замкнути клеми. Коротке

замикання контактів акумулятора може призвести до опіків або пожежі.

- У важких умовах експлуатації, рідина може бути випущена з батареї; уникайте контакту. При випадковому контакті змийте водою. При потрапленні рідини в очі, зверніться за медичною допомогою. Рідина з акумулятора може викликати роздратування або опіки.

ОБСЛУГОВУВАННЯ

- Дозволяйте обслуговувати ваш електроінструмент тільки кваліфікованому персоналу, використовуючи тільки ідентичні запасні частини. Це гарантуватиме безпечну експлуатацію електроінструменту.

ТЕХНІКА БЕЗПЕКИ ПРИ РОБОТІ З ГЕРБИЦИДНИМ ОБПРИСКУВАЧЕМ

- Не розпилюйте горючі рідини, такі як бензин, щоб зменшити ризик пожежі або вибуху.
- Під час використання, чищення та зберігання виробу завжди слідуйте інструкціям виробника хімікатів. Хімікати слід зберігати подалі від дітей.
- Не розпилюйте ніякі рідини, коли вам невідома небезпека.
- Щоб зменшити вплив рідини для обприскування, надягайте затверджене захисне спорядження, наприклад, респіратор, призначений для робіт з обприскуванням, рукавиці та інше відповідне захисне спорядження.
- Не використовуйте для чищення виробу горючі розчинники або абразивні чистячі засоби.

⚠ ПОПЕРЕДЖЕННЯ

Не дозволяйте рідині для обприскування попадати в очі. Якщо рідина для обприскування попадає в очі, негайно промийте їх чистою водою. Якщо подразнення залишається, негайно зверніться за медичною допомогою.

ДОДАТКОВІ ЗАГАЛЬНІ ПОПЕРЕДЖЕННЯ ЩОДО БЕЗПЕКИ

- Ніколи не дозволяйте дітям, людям зі зниженими фізичними, сенсорними або розумовими здібностями або з недостатнім досвідом і знаннями, або людям, не знайомим з цими інструкціями, користуватися виробом.
- Усвідомлюйте небезпеку, яка виникає під час використання розчинів для обприскування. Перед використанням будь-яких пестицидів або інших розчинів для обприскування уважно прочитайте етикетку на оригінальній упаковці та слідуйте інструкціям.
- В зоні роботи не повинні знаходитись спостерігачі, діти та домашні тварини.
- Перед використанням виробу переконайтеся, що трубка обприскувача надійно приєднана до ручки трубки. В разі необхідності скористайтеся





плоскогубцями, щоб приєднати трубку обприскувача до ручки.

- Після заливання рідини у бак обприскувача не забувайте ставити на місце і затягувати кришку баку.
- Використовуйте тільки побутові хімікати для газонів та садів на основі води.
- Не використовуйте технічні хімікати або хімікати для комерційних або промислових цілей.
- Не використовуйте у виробі каустичні (лужні) рідини, які самі нагріваються, або корозійні (кислотні) рідини. Вони можуть призвести до корозії металевих деталей або розм'якшити бак або шланг.
- Після використання обприскувача не залишайте у баку рідину. Чистіть його після кожного використання.
- Не наливайте у бак обприскувача гарячі або киплячі рідини. Вони можуть розм'якшити або пошкодити шланг або бак обприскувача.
- Не переповнюйте бак.
- Завжди перевіряйте наявність протікань. Якщо вони виявлені, усуньте їх причину перед використанням виробу.
- Зона, де проводиться обприскування, повинна добре вентилуватися.
- Перед кожним використанням завжди перевіряйте виріб усередині та ззовні.
- Рідини для обприскування повинні бути такі ж рідкі, як вода. Більш густі рідини не будуть розпилюватися належним чином.
- В разі необхідності рідину для обприскування можна попередньо змішати і залити у бак за допомогою воронки.

ПРИМІТКА: Коли ви використовуєте мірну ємність, відмінну від мірної колби, або коли ви використовуєте воронку для заповнення баку, ретельно чистіть та сполосуйте їх після використання. Коли рідини для обприскування попередньо змішуються, промийте темність для змішування.

- Не розпилюйте рідину в місцях, де є іскри, полум'я або інші джерела займання.
- Не розпилюйте рідину у напрямку людей або тварин. Завжди розпилюйте рідину з підвітряної сторони.
- Під час використання виробу не куріть, не їте і не пийте.
- Не розпилюйте рідину прямо на шкіру.
- Не дозволяйте рідині для обприскування контактувати зі шкірою. Якщо контакт відбувся, негайно вимийте шкіру достатньою кількістю води з милом.
- Спрямовуйте форсунку прямо на рослини або предмети, які ви збираєтесь обприскувати.
- Переконайтеся, що рідина розпилюється на зону, яка не буде пошкоджена рідиною для обприскування.
- Уникайте обприскування у вітряні дні. Рідина для обприскування може випадково попасти на рослини або предмети, які не потрібно обприскувати.
- Не дозволяйте рідині для обприскування попадати

в очі. Якщо рідина для обприскування попадає в очі, негайно промийте їх чистою водою. Якщо подразнення залишається, негайно зверніться за медичною допомогою.

- Виробом можна користуватися, коли ручка трубки обприскувача встановлена у тримачі, або користувач може її витягнути і тримати рукою.
- Небезпека ураження електричним струмом. Не розпилюйте рідину в напрямку електричних розеток.
- Після кожного використання ретельно мийте руки та будь-яку ділянку тіла, на якій шкіра піддавалася впливу рідини для обприскування.
- Обслуговуйте пристрій відповідно до інструкцій з технічного обслуговування, вказаних у цій інструкції з використання. Перед кожним використанням завжди перевіряйте виріб усередині та ззовні. Перевірте наявність тріснутих та зношених шлангів, протікань, засмічених форсунок та відсутніх або пошкоджених деталей. Якщо пошкоджений, відремонтуйте електроінструмент перед використанням. Багато нещасних випадків є наслідком поганого догляду за електроінструментом.
- Перед зливанням рідини, чищення або зберіганням виробу видаліть з нього акумулятор, щоб запобігти ненавмисному запуску.

Ознака того, що обладнання може бути предметом національних вимог щодо регулярних перевірок призначеними органами, як це передбачено в Директиві 2009/128/ЄС Європейського парламенту та Ради від 21 жовтня 2009 року, що встановлює рамки для дій Співтовариства для досягнення стійкого використання пестицидів.

ЗМІШУВАННЯ РОЗЧИНУ ДЛЯ РОЗПИЛЕННЯ

Попередження

Змішайте хімікати строго відповідно до інструкцій виробника. Неналежним чином зроблені суміші можуть утворювати токсичні пари або вибухонебезпечні розчини.

- Ніколи не розпилюйте рідкі хімікати для рослин в нерозбавленому вигляді.
- Готуйте розчин і заповнюйте контейнер тільки на відкритому повітрі або в добре провітрюваних місцях.
- Готуйте невеликий об'єм розчину, достатній для негайного використання, щоб нічого не залишилося.
- Не слід змішувати різні хімікати, за винятком, якщо таку суміш схвалено виробником.

ЗАПОВНЕННЯ КОНТЕЙНЕРА

- Поставте пульверизатор на рівну поверхню. Не заповнюйте контейнер вище максимальної позначки.
- При заповненні водою з централізованого водопостачання, не опускайте кінець шланга в розчин. Раптовий спад тиску в системі може призвести до всмоктування розчину назад в систему водопостачання.





- Перед заповненням контейнера розчином для розпилення, проведіть випробування з використанням прісної води і перевірте всі частини розпилювача на наявність витоків.
- Після заповнення, встановіть кришку заливної горловини і міцно затягніть її рухом вниз.
- Прикріпіть до виробу ярлик із зазначенням хімікату, який використовується.

ІНСТРУМЕНТ

- Працюйте тільки на відкритому повітрі або в добре провітрюваних місцях, наприклад, відкритих теплицях.
- Ніколи не дуйте через сопла або інші компоненти за допомогою рота.
- Уникайте контакту з хімічними засобами захисту рослин, негайно замініть одяг, забруднений хімікатами.
- Не розпиляти хімікати у вітряну погоду.
- Занадто високий або занадто низький тиск, а також несприятливі погодні умови можуть призвести до неправильної концентрації розчину. Передозування може призвести до нанесення шкоди рослинам та довкіллю. Недостатнє дозування може призвести до невдалої обробки рослин.
- Для того, щоб зменшити ризик нанесення шкоди довкіллю та рослинам, не експлуатуйте обприскувач за таких умов:
 - занадто високий або занадто низький тиск;
 - у вітряну погоду;
 - під прямими сонячними променями;
- Для того, щоб зменшити ризик нещасних випадків та пошкодження обприскувача, ніколи не використовуйте його із:
 - легкозаймистими рідинами;
 - в'язкими або липкими рідинами;
 - їдкими або корозійними хімікатами;
 - гарячими рідинами, з температурою вище 50°C
- Не використовуйте виріб в морозну погоду, оскільки розчин може замерзнути.

ТРАНСПОРТУВАННЯ ТА ЗБЕРІГАННЯ

- Від'єднайте акумуляторну батарею.
- Переконайтеся, що всі деталі чисті і сухі.
- Почистіть всі сторонні матеріали з продукту.
- Злийте всі аерозольні розчини з розпилювального резервуару перед зберіганням і транспортуванням.
- Після кожного використання, перевіряйте всі частини виробу на наявність витоків. За необхідності, здайте виріб до авторизованого сервісного центру для ремонту.
- Трубку обприскувача можна зберігати у тримачі.
- Для транспортування, забезпечіть машину від руху або падіння, щоб запобігти травми людей або пошкодження машини.
- Зберігайте продукт в прохолодному, сухому і добре провітрюваному місці, недоступному для дітей. Зберігати подалі від агресивних агентів, таких

як садові хімікати і солей проти обледеніння. Не зберігайте на відкритому повітрі.

ТЕХНІЧНЕ ОБСЛУГОВУВАННЯ

Під час чищення пластикових частин уникайте використання розчинників. Більшість пластиків чутливі до різних типів технічних розчинників і можуть бути пошкоджені при їх використанні. Щоб видалити з виробу бруд, пил, масло або мастило, користуйтеся чистою тканиною.

⚠ УВАГА

Завжди уникайте контакту гальмівної рідини, бензину, продуктів на основі бензину або просочувального мастила з пластиковими деталями. Хімікати можуть пошкодити, розм'якшити або зруйнувати пластик, що може призвести до серйозної травми.

⚠ ПОПЕРЕДЖЕННЯ

Використовуйте тільки оригінальні запасні частини, аксесуари та обладнання від виробника. Невиконання цієї вимоги може привести до можливої травми, поганої продуктивності та може призвести до втрати гарантії.

⚠ ПОПЕРЕДЖЕННЯ

Обслуговування вимагає крайньої обережності і знання і повинно бути виконане тільки кваліфікованим фахівцем. Для обслуговування, ми пропонуємо вам повернути продукт в найближчий авторизований сервісний центр для ремонту. При технічному обслуговуванні використовуйте тільки ідентичні замінні частини.

⚠ ПОПЕРЕДЖЕННЯ

Щоб запобігти серйозним травмам, завжди знімайте з виробу акумуляторну батарею, коли чистите його або проводите технічне обслуговування.

- Ви можете зробити регулювання та ремонт, описані в цьому посібнику користувача. Для інших ремонтних робіт, зверніться до авторизованого сервісного агента.
 - Після кожного використання чистіть виріб, як рекомендовано у цьому керівництві.
 - Перед чищенням обприскувача злийте із баку рідину.
 - Зливайте рідину для обприскування через заливний отвір.
- ПРИМІТКА:** Злийте з баку обприскувача всю рідину для обприскування у ємність, призначену для хімікатів. Не зберігайте в баку обприскувача хімікати.
- Для чищення та полоскання баку обприскувача використовуйте чисту воду. Можна додати невелику кількість м'якого побутового миючого засобу.
 - Протирайте виріб чистою, сухою тканиною.



- Може знадобитися прополоскати бак обприскувача більше одного разу.

УТИЛІЗАЦІЯ

Ніколи не виливайте залишкові хімікати або забруднені розчини у водопровід, систему дренажу, каналізацію, водостічні труби або каналізаційні люки.

Утилізуйте залишкові хімікати і використані контейнери відповідно до місцевих правил утилізації відходів.

НЕПЕРЕДБАЧЕНІ РИЗИКИ

Навіть за належного використання інструмента неможливо повністю нейтралізувати певні фактори залишкового ризику. Наступні небезпеки можуть виникати при використанні продукту та оператору слід звернути особливу увагу, щоб уникнути наступного:

- Ураження електричним струмом. Ніколи не розпилюйте рідину в напрямку електричних розеток, кабелів або приладів.
- Контакт з небезпечними речовинами. Рідина для обприскування може бути небезпечною в разі її вдихання, ковтання або контакту зі шкірою або очима. Слідуйте інструкціям та надягайте відповідне захисне спорядження, описане у цьому керівництві.

⚠ ПОПЕРЕДЖЕННЯ

Тривале використання інструменту може призвести до травмування або загострення існуючої травми. При використанні приладу протягом тривалого періоду часу, часті перерви.

ЗНАЙ СВІЙ ПРОДУКТ

Дивіться сторінку 135.

ЧАСТИНИ

1. Кришка баку обприскувача / мірна колба
2. Ручка трубки обприскувача
3. Кнопка вмикання/вимикання
4. Пускова ручка з блокуванням
5. Гніздо для акумулятора
6. Трубка обприскувача
7. Форсунка
8. Шланг
9. Корпус двигуна.
10. Бак
11. Запор (2 шт.)
12. Акумулятор
13. Зарядний пристрій

СИМВОЛИ НА ПРОДУКТИ



ПОПЕРЕДЖЕННЯ



Читайте і зрозумійте всі інструкції перед експлуатацією виробу, дотримуйтесь всіх вказівок і попереджень з техніки безпеки.



Одягайте захисні окуляри



Надягайте маску.



Надягайте неслизькі, рідиностійкі рукавиці.



Носіть нековзне захисне взуття при використанні продукту.



Не піддавайте впливу дощу або вологих умов.



Відповідає всім нормативним стандартам в країнах ЄС, де вироб було придбано.



Євразійська знак відповідності.



Український знак відповідності



Не викидати відпрацьовані електричні прилади разом із побутовими відходами. Утилізувати у спеціально призначених закладах. За консультацією по утилізації приладу зверніться до органу місцевої влади або дилера

Наступні сигнальні слова і змісти призначені для пояснення рівнів ризику, пов'язаних з продуктом.

⚠ НЕБЕЗПЕКА

Вказує на неминуче небезпечну ситуацію, яка, якщо її не уникнути, може призвести до смерті або серйозних травм.

⚠ ПОПЕРЕДЖЕННЯ

Вказує на потенційно небезпечну ситуацію, яка, якщо її не уникнути, може призвести до смерті або серйозних травм.

⚠ УВАГА

Вказує на потенційно небезпечну ситуацію, яка, якщо її не уникнути, може призвести до легкої або середньої травми.

УВАГА

(Без попереджувачих символів) Вказує на ситуацію, яка може призвести до пошкодження майна.

СИМВОЛИ В ЦЬОМУ ПОСІБНИКУ



Зупинка продукта



Блокувати



Розблокувати



Запчастини та аксесуари, що продаються окремо



ПРИМІТКА



ПОПЕРЕДЖЕННЯ

Kablosuz bahçe yıkama/sulama makinenizin tasarımında güvenlik, performans ve güvenilirliği en yüksek öncelik verilmiştir.

KULLANIM AMACI

Bahçe yıkama/sulama makinesi iyi havalandırılan bir alanda dış mekanda kullanıma yöneliktir.

Ürün böcek ilaçları, mantar ilaçları, ot kıran ve gübre gibi genel kullanıma uygun ev ve bahçe kimyasallarını püskürtmek için tasarlanmıştır. Ürün ayrıca su tesislerinde de kullanılabilir.

Ürünü yukarıda listelenenler dışında herhangi bir amaçla kullanmayın. Ürün çocuklar veya uygun kişisel koruyucu ekipman ve kıyafet giymeyen kişiler tarafından kullanılamaz.

GENEL GÜVENLİK UYARILARI

⚠ UYARI

Tüm güvenlik uyarılarını ve tüm talimatları okuyun. Uyarılara ve talimatlara uymamak elektrik çarpması, yangın ve/veya ciddi yaralanma ile sonuçlanabilir.

İleride başvurmak üzere tüm uyarıları ve talimatları saklayın.

Uyarılarda yer alan "elektrikli alet" terimi şebeke gücüyle çalıştırılan (kablolu) elektrikli aleti veya pille çalıştırılan (kablosuz) elektrikli aleti ifade eder.

ÇALIŞMA ALANI GÜVENLİĞİ

- Çalışma alanını temiz tutun ve iyi şekilde aydınlatın. Dağınık veya karanlık alanlar kazaya davetiye çıkarır.
- Elektrikli aletleri yanıcı sıvıların, gazların veya tozun mevcut olduğu patlayıcı atmosferlerde kullanmayın. Elektrikli aletler tozu veya buharları ateşleyebilecek kıvılcıklar oluşturur.
- Bir elektrikli alet kullanırken çocukları ve çevredeki insanları uzaklaştırın. Dikkat dağınıklığı kontrolü kaybetmenize neden olabilir.

ELEKTRİKSEL GÜVENLİK

- Elektrik fişleri prize uygun olmalıdır. Fişi hiçbir zaman hiçbir şekilde değiştirmeyin. Topraklı elektrikli aletlerle birlikte herhangi bir adaptörlü fiş kullanmayın. Üzerinde değişiklik yapılmayan fişler ve uygun prizler elektrik çarpması riskini azaltır.
- Vücudunuzla borular, radyatörler, kuzine ve buzdolabı gibi topraklı ürünlere temas etmekten kaçının. Vücudunuz topraklanırsa yüksek elektrik çarpması riski mevcuttur.
- Ürünü yağmura veya ıslak koşullara maruz bırakmayın. Elektrikli alete su girmesi elektrik çarpması riskini artırır.
- Kabloyu amacı dışında kullanmayın. Kabloyu hiçbir zaman elektrikli aleti taşımak, çekmek veya fişten çıkarmak için kullanmayın. Kabloyu ısıdan, yağdan, keskin kenarlardan veya hareketli parçalardan uzak tutun. Hasarlı veya dolanmış kablolar elektrik çarpması riskini artırabilir.

- Bir elektrikli aleti açık alanda kullanırken açık alanda kullanıma uygun bir uzatma kablosu kullanın. Açık alanda kullanıma uygun bir kablo kullanmak elektrik çarpması riskini azaltır.
- Eğer bir elektrikli aleti nemli bir yerde kullanmanız kaçınılmazsa bir artık akım cihazı (RCD) korumalı kaynak kullanın. Bir RCD kullanmak elektrik çarpması riskini azaltır.

KİŞİSEL GÜVENLİK

- Bir elektrikli alet kullanırken dikkatli olun, yaptığınız işe dikkat edin ve sağduyulu olun. Yorgunken veya uyuşturucu, alkol veya ilaç etkisi altındayken bir elektrikli alet kullanmayın. Elektrikli aletleri kullanırken bir anlık dikkatsizlik ciddi fiziksel yaralanma ile sonuçlanabilir.
- Kişisel koruyucu ekipman kullanın. Koruyucu gözlük takın. Uygun koşullarda kullanılan toz maskesi, kaymaz güvenlik ayakkabıları, kask veya kulak tıkacı fiziksel yaralanma riskini azaltacaktır.
- Kazara çalıştırılmasını önleyin. Aleti yerinden alırken veya taşırken güç kaynağına ve/veya pil takımına bağlamadan önce anahtarın kapalı konumunda olduğundan emin olun. Elektrikli aletleri parmağınız anahtarın üzerindeyken veya anahtarlı elektrikli aletlerin gücü açıkken taşımak tehlikeye davetiye çıkarır.
- Elektrikli aleti açmadan önce ayar kamasını veya anahtarını çıkartın. Bir ayar anahtarının veya kamanın elektrikli aletin döner parçasına takılı hâlde bırakılması fiziksel yaralanma ile sonuçlanabilir.
- Yukarıya doğru erişmeye çalışmayın. Yere sağlam basın ve dengeni her zaman koruyun. Bu, beklenmedik durumlarda gücün daha iyi kontrol edilmesini sağlar.
- Uygun şekilde giyin. Bol kıyafet giymeyin veya takı takmayın. Saçınızı, kıyafetinizi ve eldivenlerinizi hareketli parçalardan uzak tutun. Bol kıyafetler, takı veya uzun saç hareketli parçalara yakalanabilir.
- Eğer toz tahliye ve toplama aparatları için bağlantı cihazları sağlanmışsa bunların doğru şekilde bağlandığından ve kullanıldığından emin olun. Toz toplama aparatı kullanmak tozdan kaynaklanan tehlikeleri azaltabilir.

ELEKTRİKLİ ALET KULLANIMI VE BAKIMI

- Elektrikli aletin kapasitesini zorlamayın. Uygulanması için doğru elektrikli aleti kullanın. Doğru elektrikli alet tasarlandığı işi daha iyi ve daha güvenli bir şekilde yapacaktır.
- Eğer anahtar açılıp kapanıyorsa makineyi kullanmayın. Anahtarla kontrol edilemeyen her elektrikli alet tehlikelidir ve onarılmalıdır.
- Herhangi bir ayar yapmadan, aksesuarları değiştirmeden veya elektrikli aletleri depolamadan önce fişi güç kaynağından ve/veya pil takımını elektrikli aletten ayırın. Bu gibi önleyici güvenlik tedbirleri elektrikli aletin kazara çalışma riskini azaltır.
- Boş konumda olan elektrikli aletleri çocukların ulaşamayacağı yerde depolayın ve elektrikli aleti tanımayan veya bu talimatları bilmeyen kişilerin



elektrikli aleti kullanmasına izin vermeyin. Elektrikli aletler eğitimsiz kullanıcıların elinde tehlikelidir.

- **Elektrikli aletlerin bakımını yapın. Hareketli parçaların hiza kaymasını ve bağlantısını, parçaların kırık olup olmadığını ve elektrikli aletin çalışmasını etkileyebilecek diğer durumları kontrol edin. Eğer hasarlıysa elektrikli aleti kullanmadan önce onartın.** Pek çok kaza bakımı kötü yapılmış ürünlerden kaynaklıdır.
- **Kesici aletleri keskin ve temiz tutun.** Uygun şekilde bakımı yapılan keskin kesme kenarlarına sahip kesme aletlerinin sıkışma olasılığı daha azdır ve kontrol edilmesi daha kolaydır.
- **Elektrik aleti, aksesuarları ve alet uçlarını vb. çalışma koşullarını ve yapılacak çalışmayı dikkate alarak bu talimatlara uygun şekilde kullanın.** Elektrikli aleti amaçlananlar dışındaki çalışmalar için kullanmak tehlikeli bir durumun oluşmasına yol açabilir.

PİLLİ ALET KULLANIMI VE BAKIMI

- **Sadece üretici tarafından belirtilen şarj cihazı ile şarj edin.** Tek bir pil takımı tipine uygun bir şarj cihazı başka bir pil takımı ile birlikte kullanıldığında yangın riski oluşturabilir.
- **Elektrikli aletleri sadece özel olarak belirtilmiş pil takımları ile birlikte kullanın.** Başka bir pil takımı kullanmak yaralanma ve yangın riski oluşturabilir.
- **Pil takımı kullanılmadığı zaman ataş, bozuk para, anahtar, çivi, vida ve diğer metal nesnelere gibi bir terminalden diğerine bağlantı oluşturabilecek diğer metal nesnelere uzak tutun.** Pil terminallerinin birlikte kısa devre yapması yanığa veya yangına neden olabilir.
- **Kötü koşullarda pilden sıvı boşalabilir; temas etmekten kaçının. Eğer kazara temas ederseniz temas eden yeri suyla yıkayın. Eğer sıvı gözlerinize temas ederse ek olarak tıbbi yardım alın.** Pilden boşalan sıvı tahrişe veya yanıklara neden olabilir.

SERVİS

- **Elektrikli aletinizi sadece aynı yedek parçaları kullanarak nitelikli bir tamirciye onartın.** Bu, elektrikli aletin güvenliğinin muhafaza edilmesini sağlar.

BAHÇE YIKAMA/SULAMA MAKİNESİ GÜVENLİK UYARILARI

- Yangın veya patlama riskini azaltmak için benzin gibi yanıcı sıvılar püskürtmeyin.
- Her zaman ürün etiketi üzerindeki kullanım, temizlik ve depolama ile ilgili kimyasal madde üreticisinin talimatlarına uyun. Kimyasal maddeler çocukların ulaşamayacağı yerde depolanmalıdır.
- Tehlikenin bilinmediği durumlarda herhangi bir madde püskürtmeyin.
- Püskürtme maddelerine maruz kalma olasılığını azaltmak için püskürtme için tasarlanmış yüz maskesi, eldiven ve diğer uygun koruyucu ekipmanlar gibi onaylı güvenlik ekipmanları giyin.
- Ürünü temizlemek için yanıcı çözücüler veya aşındırıcı temizlik maddeleri kullanmayın.

⚠ UYARI

Püskürtme maddelerini gözlerinizden uzak tutun. Eğer püskürtme maddeleri gözlerinize temas ederse derhal temiz suyla yıkayın. Eğer tahriş hâlâ devam ediyorsa derhal tıbbi yardım alın.

EK GÜVENLİK UYARILARI

- Hiçbir zaman çocukların, fiziksel, duyuşsal veya zihinsel becerileri kısıtlı veya tecrübesiz ve bilgisi yetersiz kişilerin veya bu talimatları bilmeyen insanların bu ürünü kullanmasına izin vermeyin.
 - Püskürtme maddesinden kaynaklanan her türlü tehlikeye karşı dikkatli olun. Ürünle birlikte herhangi bir böcek ilacı veya başka bir püskürtme maddesi kullanmadan önce orijinal konteyner üzerindeki etiketi dikkatlice okuyun ve talimatlara uyun.
 - Püskürtme yaparken çevredeki herkesi, çocukları ve evcil hayvanları alandan uzaklaştırın.
 - Ürünü kullanmadan önce püskürtme çubuğunun püskürtme çubuğu sapına güvenli şekilde bağlandığından emin olun. Gerekirse püskürtme çubuğunu püskürtme çubuğu sapına takmak için pense kullanın.
 - Sıvıyı püskürtme deposuna döktükten sonra püskürtme deposu kapağını uygun şekilde yeniden takmayı ve sıkıyı unutmayın.
 - Sadece genel kullanıma uygun su esaslı çim ve bahçe kimyasalları kullanın.
 - Tecimsel nitelikli veya ticari veya endüstriyel amaçlı kimyasal maddeler kullanmayın.
 - Ürünle birlikte kostik (alkali), kendi kendine ısınan veya korozif (asit) sıvılar kullanmayın. Bunlar metal parçaları korozyona uğratabilir veya depoyu ve hortumu zayıflatabilir.
 - Ürünü kullandıktan sonra püskürtme deposunda artık madde veya püskürtme maddesi bırakmayın. Her kullanım sonrası temizleyin.
 - Püskürtme deposuna sıcak veya kaynayan sıvı dökmeyin. Bunlar hortumu veya püskürtme deposunu zayıflatabilir veya zarar verebilir.
 - Depoyu aşırı doldurmayın.
 - Sızıntıya karşı her zaman kontrol edin. Herhangi bir arıza bulunursa ürünü kullanmadan önce bunları düzeltin.
 - Püskürtme alanı iyi havalandırılmalıdır.
 - Her kullanım öncesi ürünün iç ve dış kısmını her zaman kontrol edin.
 - Püskürtülecek sıvılar su kadar ince olmalıdır. Daha yoğun sıvılar doğru şekilde püskürtülemez.
 - Püskürtme maddeleri önceden karıştırılabilir ve gerekirse bir huni kullanılarak püskürtme deposuna dökülebilir.
- NOT:** Dereceli kap dışında bir dereceli konteyner veya depoyu doldurmak için bir huni kullandıktan sonra bu parçaları iyice temizleyip durulayın. Püskürtme maddelerini önceden karıştırırken karıştırma amacıyla kullanılan konteyneri durulayın.

EN

FR

DE

ES

IT

NL

PT

DA

SV

FI

NO

RU

PL

CS

HU

RO

LV

LT

ET

HR

SL

SK

BG

UK

TR





- Kivılcım, alev veya başka ateşleme kaynaklarının mevcut olduğu durumlarda püskürtmeyin.
- İnsanlara veya hayvanlara doğru püskürtmeyin. Her zaman aşağıya doğru püskürtün.
- Ürünü kullanırken sigara içmeyin, yemek yemeyin veya sıvı tüketmeyin.
- Doğrudan cilt üzerine boşaltmayın.
- Püskürtme maddelerinin ciltle temas etmesine izin vermeyin. Eğer temas ederseniz temas eden yeri sabun ve bol suyla derhal yıkayın.
- Düzeyi doğrudan püskürtmek istediğiniz bitkilere veya nesnelere doğru tutun.
- Püskürtme maddelerinin püskürtme maddesi tarafından zarar görmeyecek bir alana doğru tutulduğundan emin olun.
- Rüzgarlı günlerde püskürtme yapmaktan kaçının. Püskürtme maddeleri kazara püskürtülmemesi gereken bitkilerin veya nesnelere üzerine üflebilir.
- Püskürtme maddelerini gözlerinizden uzak tutun. Eğer püskürtme maddeleri gözlerinizle temas ederse derhal temiz suyla yıkayın. Eğer tahriş hâlâ devam ediyorsa derhal tıbbi yardım alın.
- Ürün beşiğe dayanan püskürtme çubuğu sapı ile birlikte kullanılabilir veya beşikten çıkarılabilir ve operatör tarafından elde kullanılabilir.
- Elektrik çarpma tehlikesi. Elektrik prizlerine doğru püskürtmeyin.
- Her kullanım sonrası ellerinizi ve cildinizin püskürtmeye maruz kaldığı her alanı iyice yıkayın.
- Ürünün bakımını yapın. Her kullanım öncesi ürünün iç ve dış kısmını iyice kontrol edin ve bileşenleri gözden geçirin. Çatlak ve yapısı bozulmuş hortumlar, sızıntılar, tıkalı düzeler ve eksik veya hasarlı parçalara karşı kontrol edin. Eğer hasarlıysa ürünü kullanmadan önce onartın. Pek çok kaza bakımı kötü yapılmış ürünlerden kaynaklıdır.
- Kazara çalışmasını önlemek için tahliye etmeden, temizlemeden veya depolamadan önce pili üründen çıkartın.

Tarım ilaçlarının sürdürülebilir kullanımını sağlayacak Topluluk eylemleri için bir çerçeve çizen Avrupa Parlamentosu'nun ve Konsey'in 21 Ekim 2009 tarihli 2009/128/EC sayılı Yönergesince belirlenen ve makinenin belirlenmiş makamlar tarafından düzenli olarak denetlenmesini gerektiren ulusal zorunluluklara tabi olabileceği belirtilmiştir.

PÜSKÜRTÜLECEK SOLÜSYONUN KARIŞTIRILMASI

⚠ UYARI

Kimyasalları kesinlikle üreticinin talimatlarına uygun olarak karıştırın. Yanlış karışımlar zehirli buharlar ya da patlayıcı solüsyonlar oluşturabilir.

- Sıvı bitki kontrol kimyasallarını asla seyreltmeden püskürtmeyin.
- Solüsyon hazırlama ve depo dolum işlemlerini sadece açık havada veya iyi havalandırılan mekanlarda yapın.

- Hiçbir şey artmaması için sadece yapılacak işe yetecek kadar solüsyon hazırlayın.
- Üretici tarafından onaylanmadıkça, başka kimyasallar karıştırmayın.

DEPONUN DOLDURULMASI

- Tabancayı düz bir yüzeye yerleştirin ve depoyu azami çizgisinin üzerinde doldurmayın.
- Merkezi su hattından dolum yaparken, hortumun ucunu solüsyona daldırmayın. Sistemde ani basınç kaybı solüsyonun su hattına emilmesine neden olabilir.
- Depoyu püskürtülecek solüsyonla doldurmadan önce, temiz suyla bir deneme çalışması yapın ve tabancanın bütün aksamını sızdırmazlığa karşı kontrol edin.
- Doldurduktan sonra, depo kapağını yerleştirip iyice sıkıştırın.
- Ürüne hangi kimyasalın kullanıldığını belirten bir etiket asın.

UYGULAMA

- Sadece açık havada ya da iyi havalandırılan mekanlarda çalışın, örn. açık seralar
- Asla memeleri ya da diğer aksamı ağızınızla üflemezsiniz.
- Bitki kontrol kimyasallarıyla temastan kaçının, bitli kontrol kimyasalları bulaşmış giysileri derhal değiştirin.
- Rüzgarlı koşullarda püskürtmeyin.
- Çok yüksek ya da çok düşük basınç veya olumsuz hava koşulları yanlış solüsyon konsantrasyonuna neden olabilir. Aşırı doz bitkilere ve çevreye zarar verebilir. Yetersiz doz başarısız bitki bakımına neden olabilir.
- Çevreye ve bitkilere zarar verme riskini azaltmak için, tabancayı şu koşullarda çalıştırmayın:
 - basınç çok yüksek ya da çok düşük
 - rüzgarlı koşullarda
 - dolaysız güneş ışığında
- Kaza veya tabancanın hasar görmesi riskini azaltmak için, tabancayı asla aşağıdakilerle kullanmayın:
 - parlayıcı sıvılar
 - Yoğun ya da yapışkan sıvılar
 - yakıcı ya da aşındırıcı sıvılar
 - 50°C dereceden sıcak sıvılar
- Solüsyon donabileceği için, ürünü donmuş suda kullanmaktan kaçının.

TAŞIMA VE DEPOLAMA

- Pili takımını çıkartın.
- Tüm parçaların temiz ve kuru olduğundan emin olun.
- Üründeki tüm yabancı maddeleri temizleyin.
- Depolama veya nakliyeden önce püskürtme tankındaki bütün püskürtme malzemelerini durulayın.
- Her kullanımdan sonra ürünün bütün parçalarını sızdırmaya karşı kontrol edin. Herhangi bir sızıntı varsa, ürünü onarım için yetkili bir servis merkezine teslim edin.
- Püskürtme çubuğu beşik içinde depolanabilir.
- Taşınacağı zaman insanların yaralanmasını veya ürünün zarar görmesini önlemek amacıyla ürünü



hareket etmemesi veya düşmemesi için sabitleyin.

- Çocukların erişemeyeceği serin, kuru ve iyi havalandırılan bir yerde depolayın. Bahçe kimyasalları ve buz çözücü tuzlar gibi korozif maddelerden uzak tutun. Açık alanda depolamayın.

BAKİM

Plastik parçaları temizlerken çözücü kullanmaktan kaçının. Plastik parçaların büyük bölümü çeşitli tipte ticari çözücülerden kaynaklı hasara duyarlıdır ve kullanılmaları nedeniyle zarar görebilir. Kiri, tozu, yağı, gresi vb. gidermek için temiz bez kullanın.

⚠ İKAZ

Fren sıvılarının, benzinin, petrol bazlı ürünlerin, nüfuz edici yağın vb. hiçbir zaman plastik parçalarla temas etmesine izin vermeyin. Kimyasal maddeler plastik parçalara zarar verebilir, zayıflatabilir veya yok edebilir ve ciddi fiziksel yaralanma ile sonuçlanabilir.

⚠ UYARI

Sadece orijinal üreticinin yedek parçalarını, aksesuarlarını ve ek parçalarını kullanın. Aksi hâlde olası yaralanmalara, zayıf performansla neden olabilir ve garantinizi geçersiz kılabilir.

⚠ UYARI

Servis çalışması en yüksek düzeyde dikkat ve bilgi gerektirir ve sadece nitelikli bir servis teknisyeni tarafından yapılmalıdır. Servis için ürünü onarım amacıyla size en yakın yetkili servis merkezi'ne göndermenizi öneriyoruz. Servis yapılırken sadece aynı yedek parçaları kullanın.

⚠ UYARI

Ciddi fiziksel yaralanmaları önlemek için temizlik veya herhangi bir bakım çalışması yaparken pil takımını üründen çıkartın.

- Sadece bu kılavuzda açıklandığı şekilde ayar veya onarım yapın. Diğer onarımlar için yetkili servis temsilcisini arayın.
- Her kullanım sonrası ürünü bu kılavuzda belirtilen şekilde temizleyin.
- Temizlemeden önce püskürtme deposunu tahliye edin ve boşaltın.
- Püskürtme maddelerini dolun alanından tahliye edin.

NOT: Püskürtme deposundaki tüm püskürtme maddesini kimyasal madde onaylı bir konteyner içerisine tahliye edin. Kimyasal maddeleri püskürtme deposunda depolamayın.

- Püskürtme deposunu temizlemek ve durulamak için temiz su kullanın. Az miktarda orta ev tipi deterjan eklenebilir.
- Ürünü temiz, kuru bir bezle silin.
- Püskürtme deposunun bir kez daha durulanması gerekebilir.

ATMA

Kalıntı kimyasalları veya kirlenmiş durulama çözeltilerini asla su yollarına, drenaj kanallarına, kanalizasyonlara, sokak kenarı derelerine ya da bacalara dökmeyin.

Kalıntı kimyasalları ve kullanılmış kapları yerel atık tasfiye düzenlemelerine göre atın.

ARTIK RİSKLER

Ürün belirtilen şekilde kullanıldığında bile belirli artık risk faktörlerini tamamen ortadan kaldırmak mümkün değildir. Kullanım sırasında aşağıdaki tehlikeler ortaya çıkabilir ve kullanıcının aşağıdaki durumları önlemek için özellikle dikkatli olması gerekir:

- Elektrik çarpması. Sıvıları hiçbir zaman içinden elektrik geçen prizlere, kabloları veya cihazlara püskürtmeyin.
- Tehlikeli maddelere temas etmeyin. Solunması, yutulması veya ciltle ya da gözle temas etmesi durumunda püskürtme maddeleri zararlı olabilir. Talimatlara dikkatlice uyun ve bu kılavuzda belirtilen şekilde uygun koruyucu ekipman giyin.

⚠ UYARI

Ürünün uzun süre kullanılması nedeniyle yaralanmalar meydana gelebilir veya kötüleşebilir. Herhangi bir alet uzun süre kullanıldığında düzenli molalar verdiğinizden emin olun.

ÜRÜNÜZÜ TANIYIN

Bkz. sayfa 135.

PARÇALAR

1. Püskürtme deposu kapağı/dereceli kap
2. Püskürtme çubuğu sapı
3. Açma/kapama düğmesi
4. Kilit mekanizmalı tetik
5. PİL yuvası
6. Püskürtme çubuğu
7. Düze
8. Hortum
9. Motor mahfazası
10. Depo
11. Mandal (x2)
12. PİL
13. Şarj cihazı

ÜRÜN ÜZERİNDEKİ SEMBOLLER



Güvenlik ikazı



Ürünü kullanmadan önce tüm talimatları okuyun ve anlayın, tüm uyarılara ve güvenlik talimatlarına uyun.



Koruyucu gözlük takın.



Maske takın.



Kaymaz, sıvıya dirençli eldiven takın.



Ürünü kullanırken kaymaz güvenlik ayakkabısı giyin.



Ürünü yağmura veya nemli koşullara maruz bırakmayın.



Ürünün satın alındığı AB ülkesindeki tüm düzenleyici standartlara uygundur.



EurAsian Uygunluk İşareti



Ukrayna uygunluk işareti.



Atık elektrikli ürünler evsel atıklarla birlikte atılmamalıdır. Lütfen tesislerin mevcut olduğu yerlerde geri dönüştürün. Geri dönüşüm tavsiyesi için bölgenizdeki yetkili merciyeye veya satıcıya başvurun.



Kilidi açın



Ayrı satılan parçalar veya aksesuarlar



Not



Uyari

Aşağıdaki işaret sözcükler ve anlamları bu ürünle ilişkili risk seviyelerinin açıklanmasına yöneliktir.



TEHLİKE

Önlenmemesi durumunda ölüm veya ciddi yaralanma ile sonuçlanacak ciddi tehlike içeren bir durumu gösterir.



UYARI

Önlenmemesi durumunda ölüm veya ciddi yaralanma ile sonuçlanabilecek potansiyel olarak tehlikeli bir durumu gösterir.



İKAZ

Önlenmemesi durumunda önemsiz veya orta derece yaralanma ile sonuçlanabilecek potansiyel olarak tehlikeli bir durumu gösterir.

İKAZ

(Güvenlik Uyarısı Sembolü Olmadığında) Maddi hasarla sonuçlanabilecek bir durumu gösterir.

BU KILAVUZDAKİ SEMBOLLER



Ürünü durdurun.



Kilit

EN

FR

DE

ES

IT

NL

PT

DA

SV

FI

NO

RU

PL

CS

HU

RO

LV

LT

ET

HR

SL

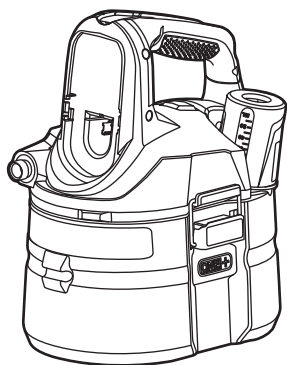
SK

BG

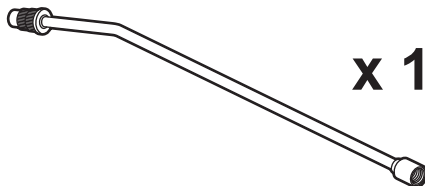
UK

TR

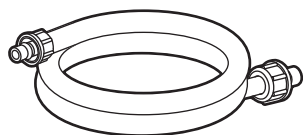
OWS1880



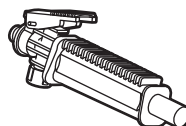
x 1



x 1



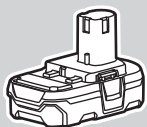
x 1



x 1



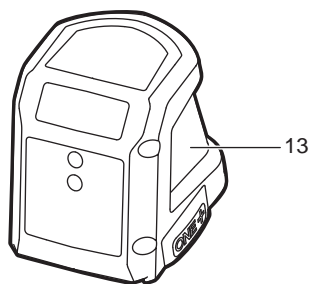
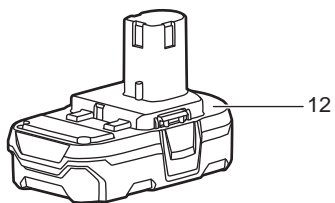
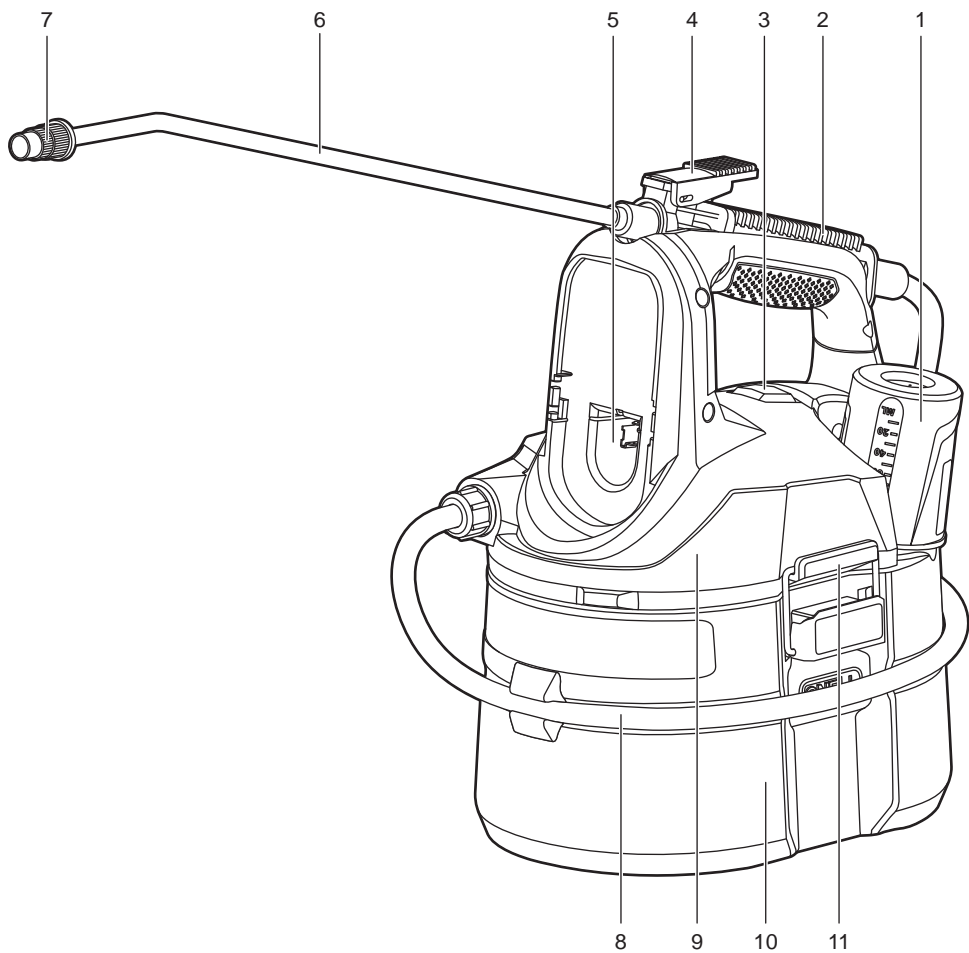
x 1

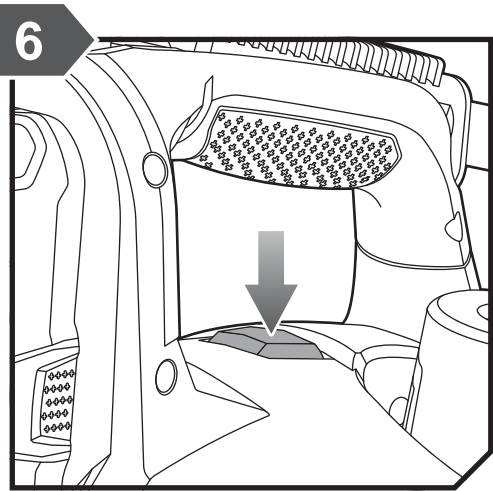
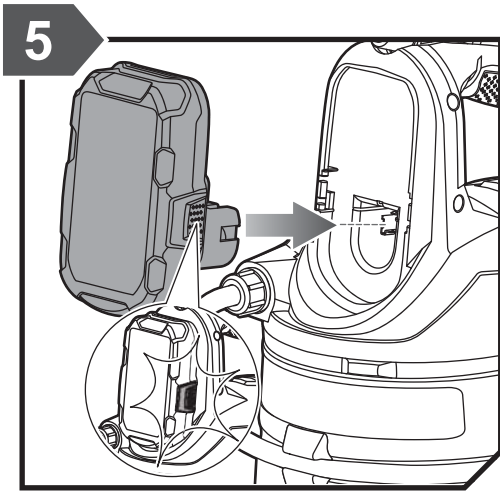
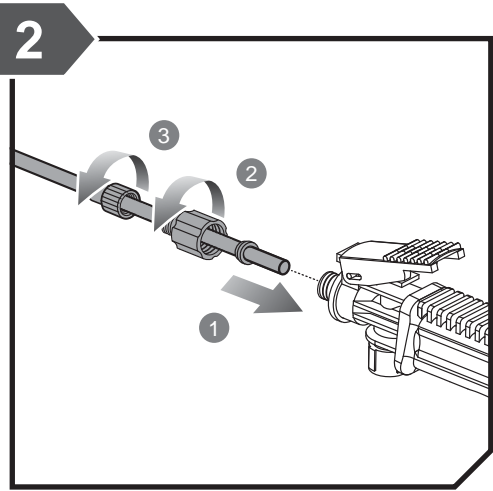
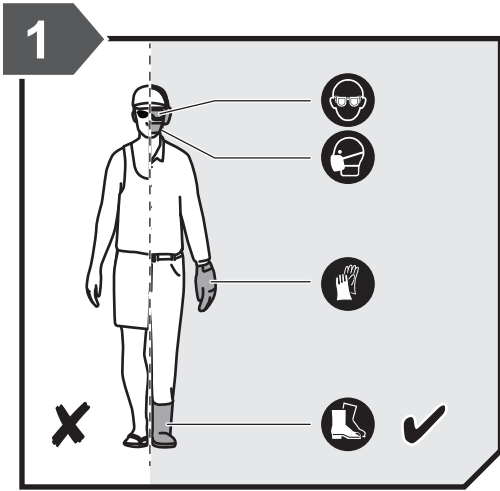


x 1

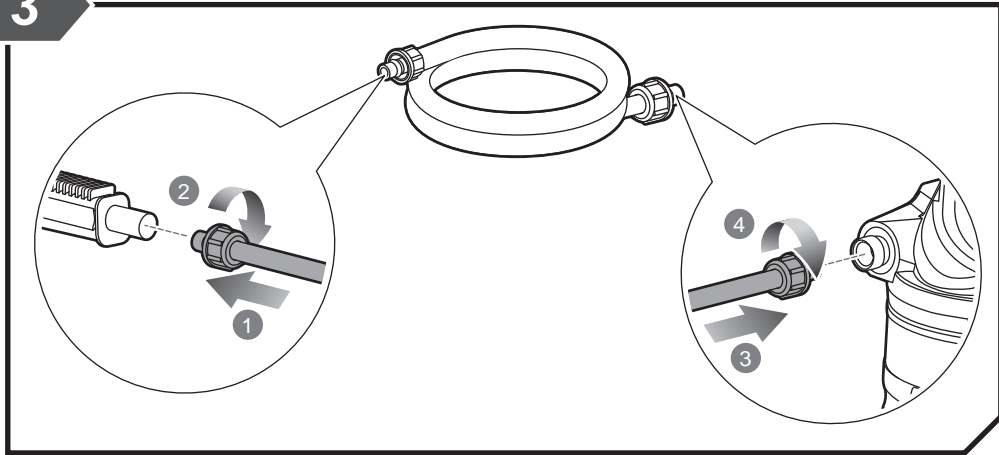


x 1

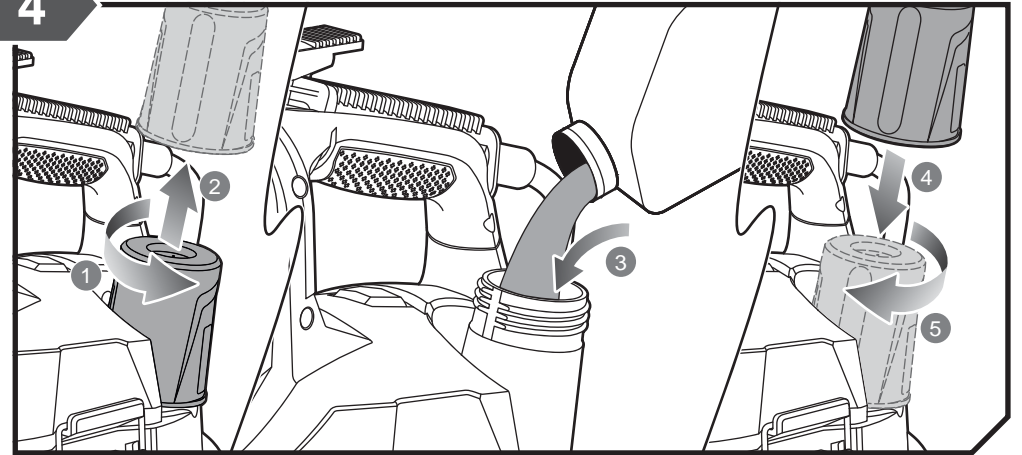




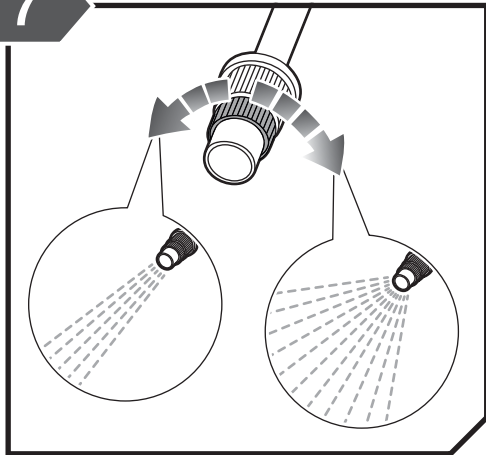
3



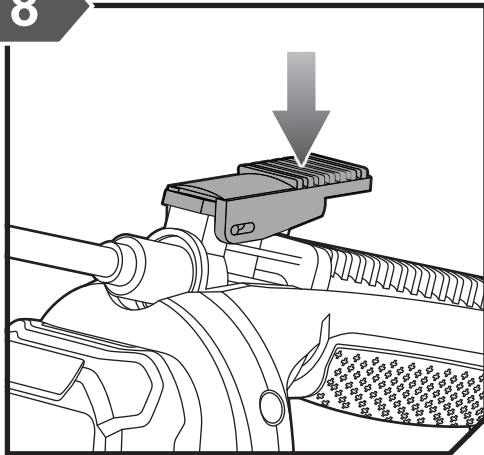
4



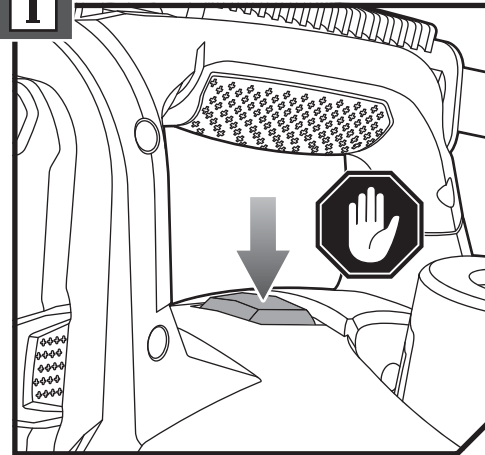
7



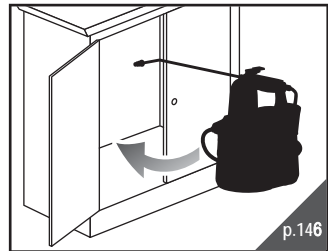
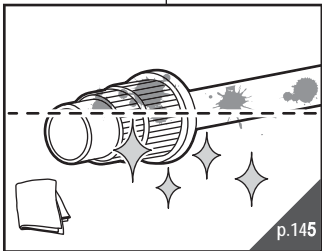
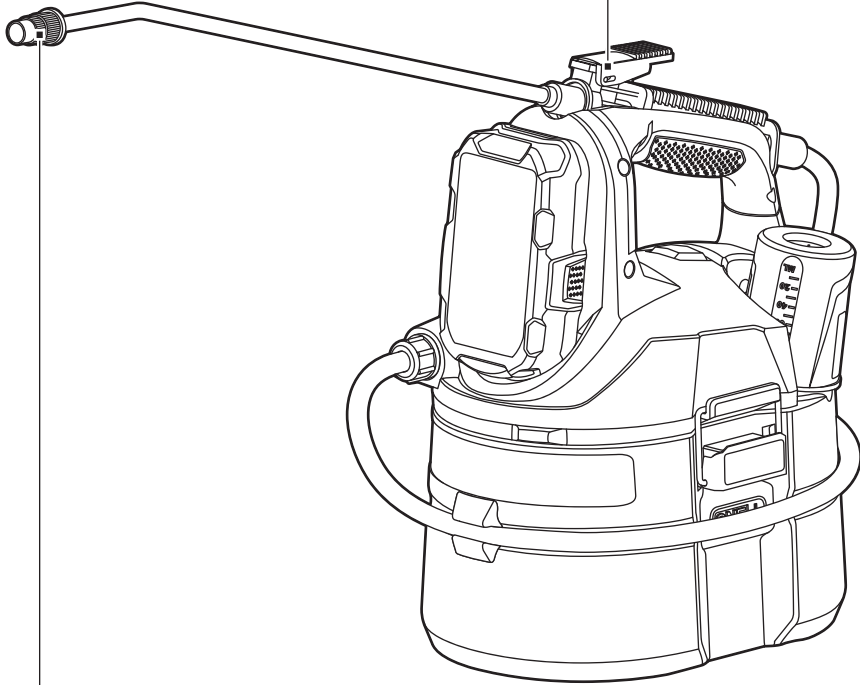
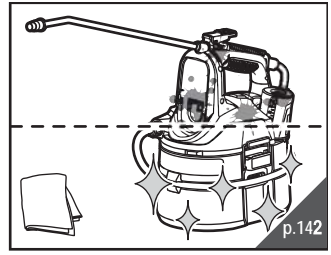
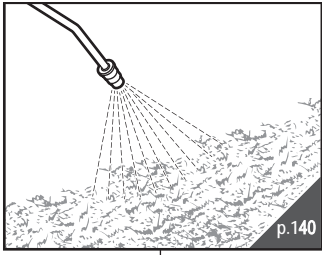
8

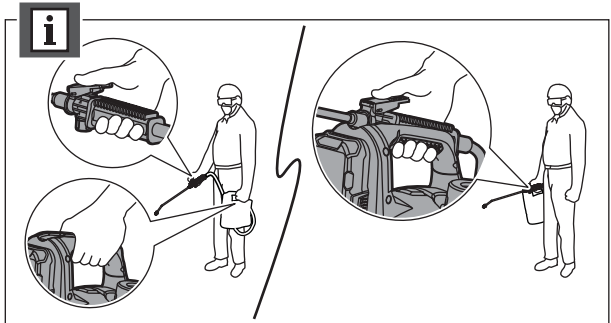
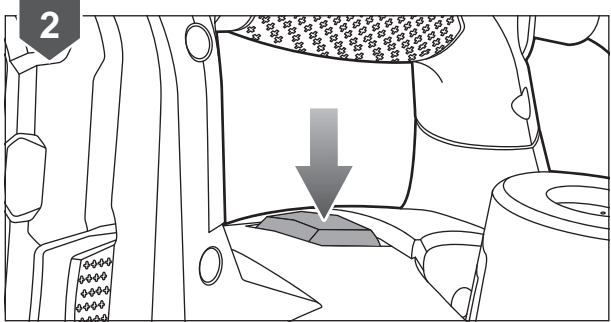
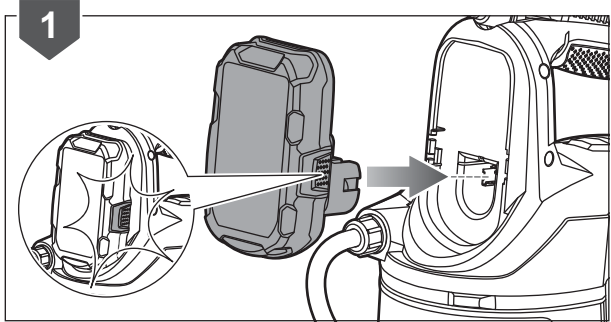
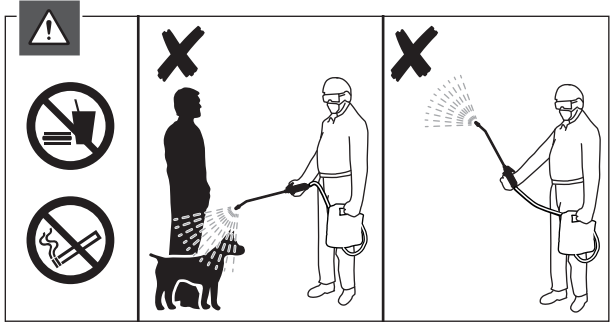
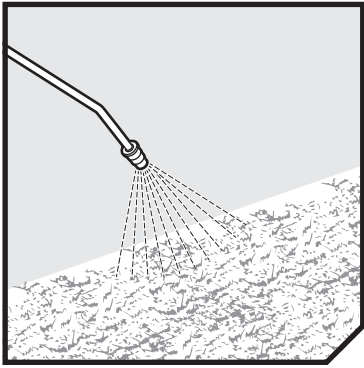


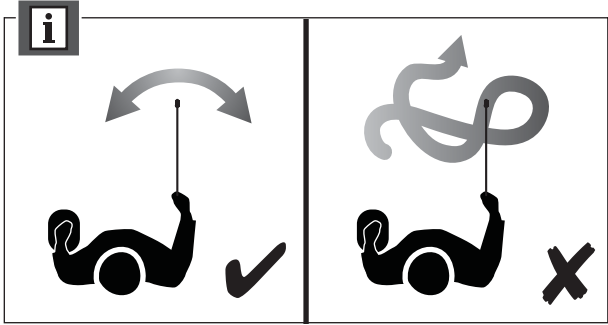
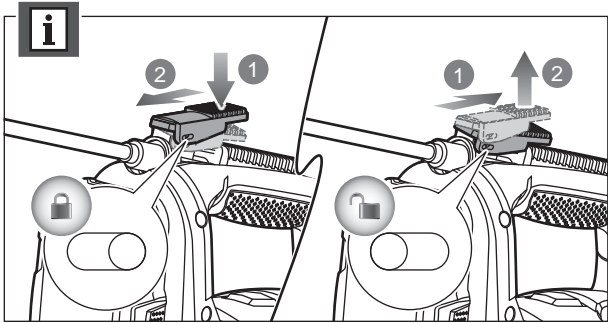
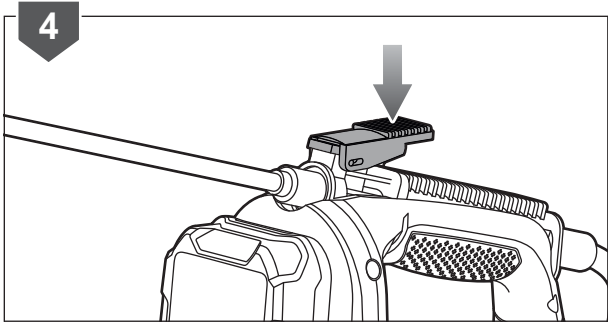
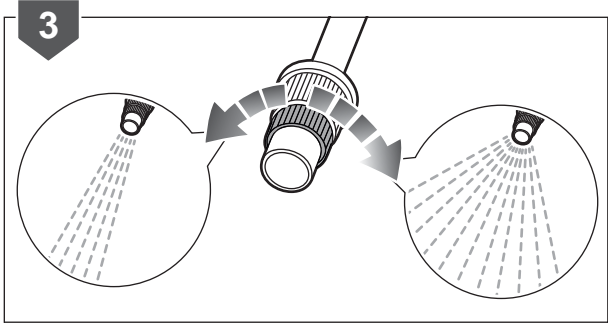
i

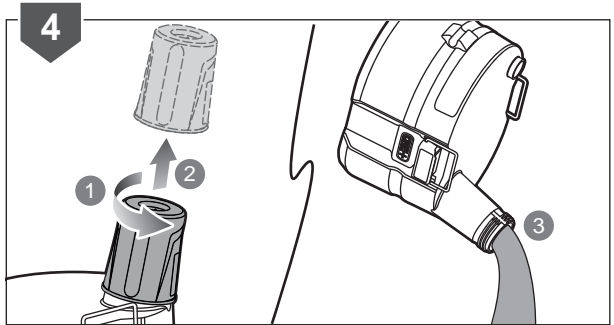
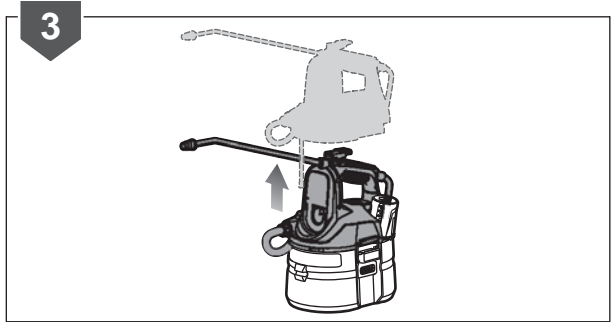
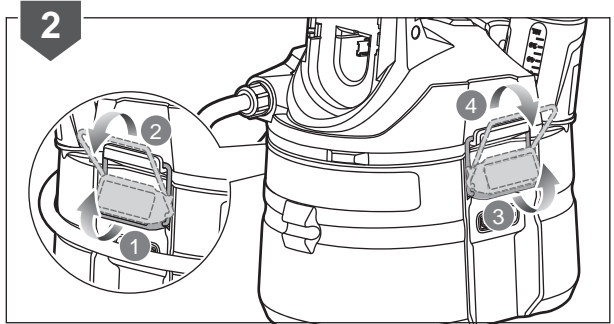
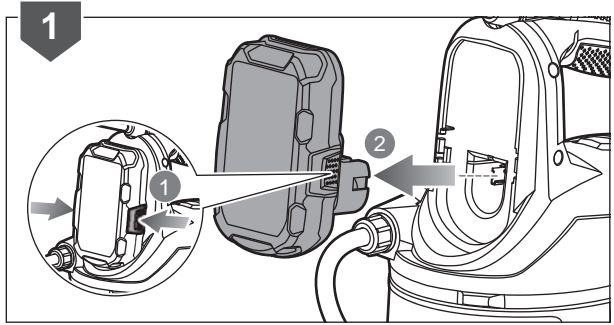
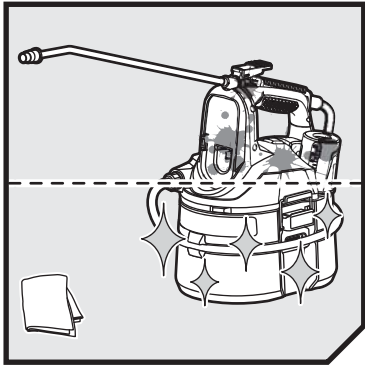


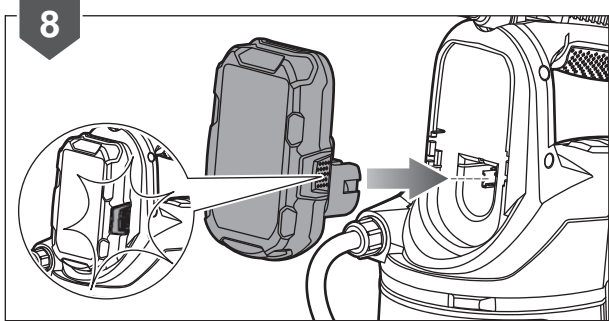
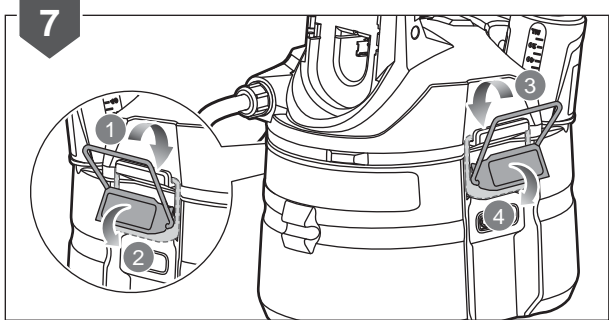
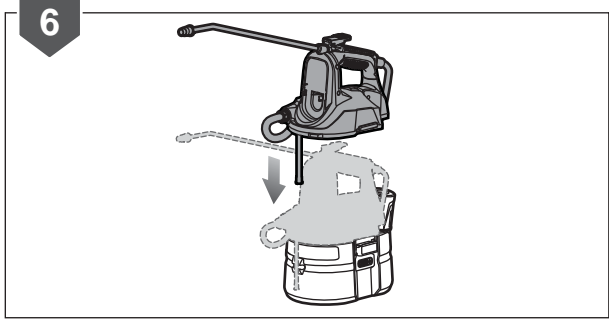
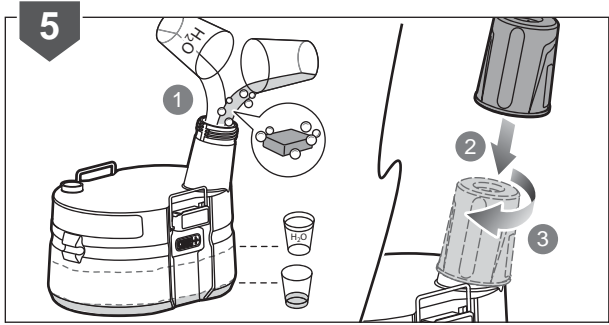


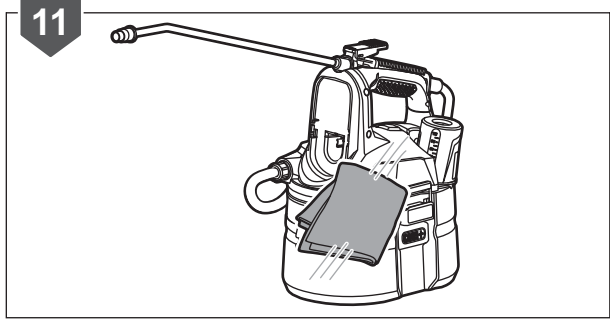
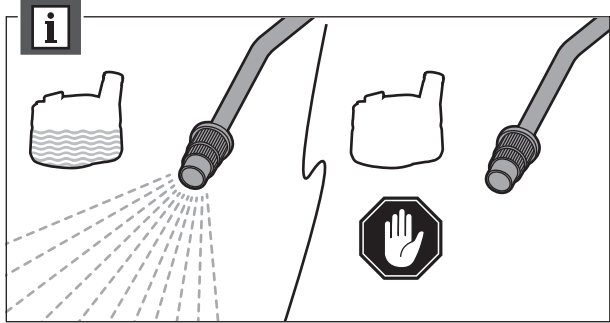
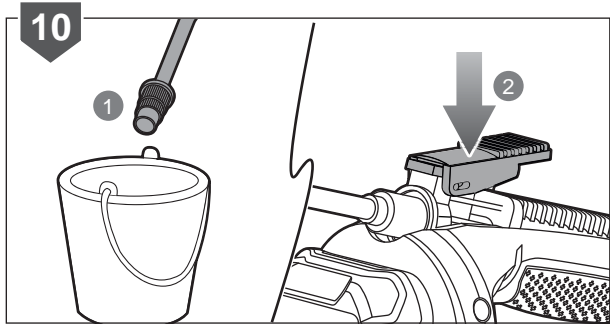
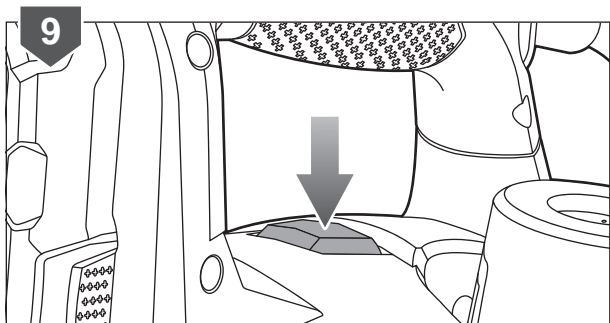


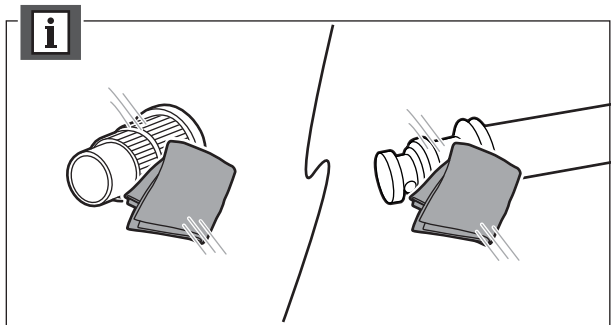
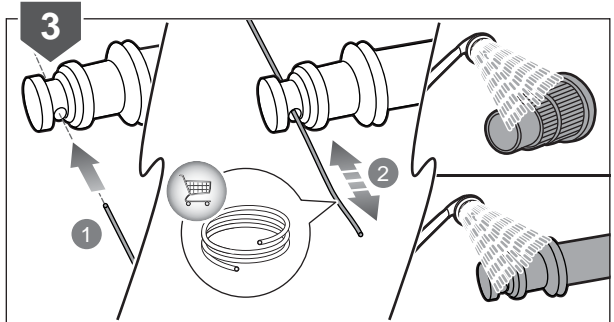
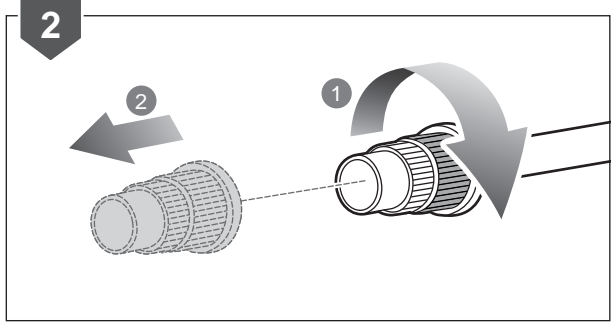
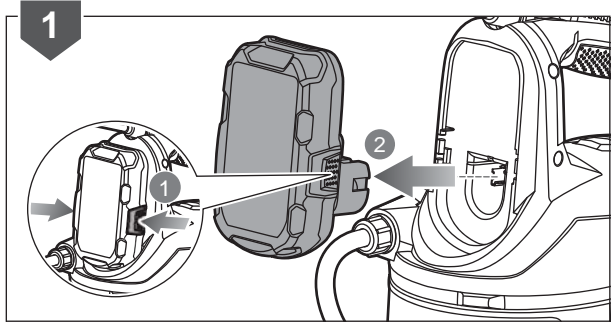
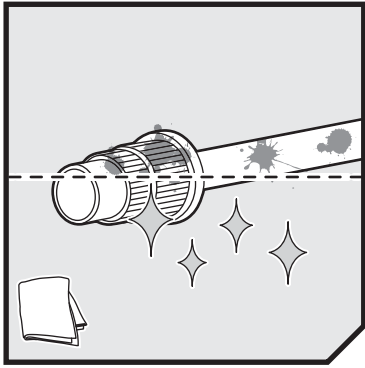


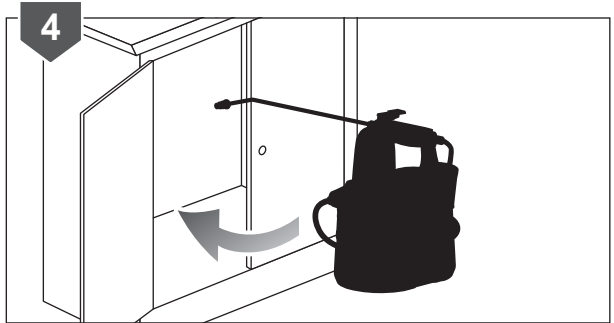
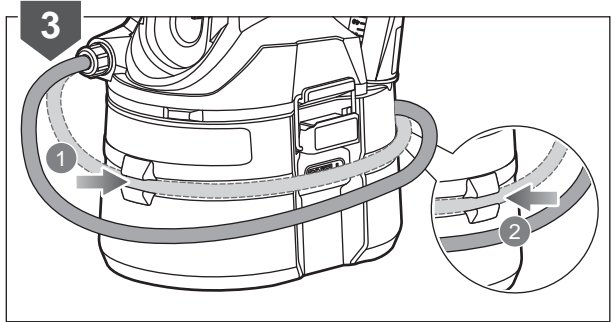
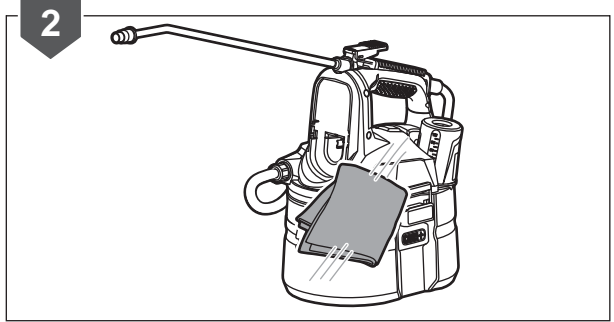
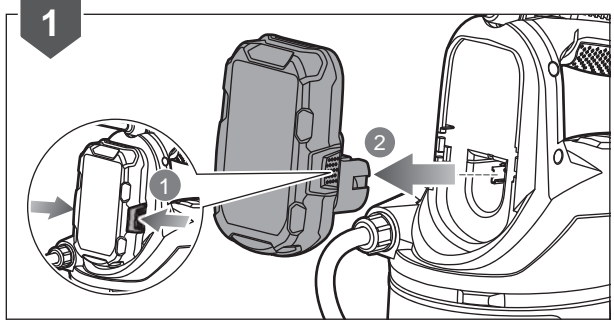
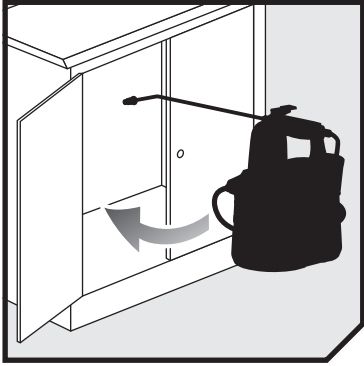
















English	Français	Deutsch	Español	Italiano	Nederlands
Product specifications	Caractéristiques produit	Produkt-Spezifikationen	Características del producto	Caratteristiche del prodotto	Productgegevens
Cordless Weed Sprayer	Pulvérisateur sans-fil	18V Akku Drucksprüher	Herbicida inalámbrico	Spruzzatore per erbacce senza cavo	Snoerloze onkruidsproeier
Model	Modèle	Modell	Modelo	Modello	Model
Pump type:	Type de pompe:	Pumpentyp:	Tipo bomba:	Tipo di pompa:	Pomptype:
Diaphragm pump	Pompe à diaphragme	Membranpumpe	Bomba de diafragma	Diaframma pompa	Diagramppomp
Tank capacity	Contenance du réservoir	Tankinhalt	Capacidad del depósito	Capacità serbatoio	Tankvolume
Spray valve:	Vanne de pulvérisation:	Sprühdüse:	Válvula del espray:	Valvola spray:	Sproeiklep:
Integral grip lever	Levier à accroche intégrale	Integrierter Griffhebel	Palanca con mango integral	Leva presa integrale	Integrale griphendel
Dimension (WxLxH)	Dimensions (xLxH)	Abmessungen (BxLxH)	Dimensión (Ancho x Longitud x Altura)	Dimensione (Ampiezza x Lunghezza x Altezza)	Afmetingen (BxLxH)
Pressure	Pression	Druck	Presión	Pressione	Druk
Flow rate	Débit	Fördermenge	Caudal de salida	Velocità di flusso	Debiet
Net weight	Poids net	Nettogewicht	Peso neto	Peso netto	Netto gewicht
Noise emission level (in accordance with EN 60745-1 ; EN 50580)	Niveau d'émission sonore (selon EN 60745-1 ; EN 50580)	Schallenergiepegel (gemäß EN 60745-1 ; EN 50580)	Nivel de emisión de ruido (de acuerdo con EN 60745-1 ; EN 50580)	Livello di emissione rumore (in accordo con la direttiva EN 60745-1 ; EN 50580)	Geluidsemisniveau (in overeenstemming met EN 60745-1 ; EN 50580)
A-weighted sound pressure level at operator's position	Niveau de pression sonore pondéré A au niveau de l'opérateur	A-bewerteter Schalldruckpegel an der Position des Benutzers	Nivel de presión sonora ponderado A en la posición del operario	Livello di pressione sonora ponderata A alla posizione dell'operatore	A-gewogen geluidsdrumniveau bij positie van gebruiker
Uncertainty	Incertitude	Unsicherheit	Incertidumbre	Incertezza	Onzekerheid
A-weighted sound power level	Niveau de puissance sonore pondéré-A	A-bewerteter Schalleistungspegel	Nivel de potencia acústica ponderada en A	Livello di potenza sonora pesato A	A-gewogen geluidsniveau
Uncertainty	Incertitude	Unsicherheit	Incertidumbre	Incertezza	Onzekerheid
Vibration level (in accordance with EN 60745-1 ; EN 50580)	Niveau de vibration (selon EN 60745-1 ; EN 50580)	Vibrationsgrad (gemäß EN 60745-1 ; EN 50580)	Nivel de vibración (de acuerdo con EN 60745-1 ; EN 50580)	Livello vibrazioni (in accordo con la direttiva EN 60745-1 ; EN 50580)	Trillingsniveau (in overeenstemming met EN 60745-1 ; EN 50580)
Vibration total value	Valeur totale des vibrations	Gesamtwert der Vibration	Valor total de vibración	Valore totale vibrazioni	Totale waarde trilling
Uncertainty	Incertitude	Unsicherheit	Incertidumbre	Incertezza	Onzekerheid

Battery and charger	Batterie et chargeur	Akku und Ladegerät	Bateria y cargador	Batteria e caricatore	Accu en oplader
Model	Modèle	Modell	Modelo	Modello	Model
Compatible battery packs	Packs batterie compatibles	Kompatible Akkus	Paquetes de batería compatibles	Gruppo batterie compatibili	Compatibele accupacks
Compatible charger	Chargeur compatible	Passendes Ladegerät	Cargador compatible	Caricatore compatibile	Compatibele oplader





Português	Dansk	Svenska	Suomi	Norsk	Русский	
Características do aparelho	Produktspecificationer	Produktspecificationer	Tuotteen tekniset tiedot	Produktspecificasjoner	Характеристики изделия	
Herbicida sem fios	Ledningsfri ukruttsprøjte	Trådløs ogræsspruta	Johdoton rikkaruohoruisku	Trådløs ugressprøyte	Беспроводной опрыскиватель	
Modelo	Model	Modell	Malli	Modell	Модель	OWS1880
Tipo bomba:	Pumpetype:	Pumptyp:	Pumpun tyyppi:	Pumpetype:	Тип насоса:	
Bomba de diafragma	Membranpumpe	Diafragmapump	Kalvopumppu	Membranpumpe	Диафрагменный насос	
Capacidade do tanque	Tankkapacitet	Tankkapacitet	Säilön tilavuus	Beholderkapasitet	Объем емкости	3.5 L
Válvula do spray:	Sprøjteventil:	Sprayventil:	Ruiskutusventiili:	Sprayventil:	Распылительное сопло:	
Alavanca com pega integral	Integreret gribehåndtag	Integrerad greppspak	Kiinteä vipu	Integrert håndtakspak	Встроенный рычаг	
Dimensões (Comprimento x Largura x Altura)	Mål (BxLxH)	Mått (BxLxH)	Mitat (LxPxK)	Dimensjon (B x L x H)	Размеры (Ш x Д x В) (см)	18 x 24 x 30 cm
Pressão	Tryk	Tryck	Paine	Trykk	Давление	3.1bar (45PSI)
Caudal	Flowhastighed	Flöde	Virtausnopeus	Strømningshastighet	Расход жидкости (мл/мин)	500 ml/min
Peso líquido	Nettovægt	Nettovikt	Kokonaispaino	Nettovekt	Вес нетто	1.45 kg
Nível de emissão de ruído (em conformidade com EN 60745-1 ; EN 50580)	Støjemissionsniveau (iht. EN 60745-1 ; EN 50580)	Bullerutsläppsnivå (enligt EN 60745-1 ; EN 50580)	Melutaso (standardin EN 60745-1 ; EN 50580 mukaisesti)	Støytvåknivå (iht. EN 60745-1 ; EN 50580)	Уровень шума (в соответствии с EN 60745-1 ; EN 50580)	
Nível de pressão sonora ponderada A na posição do operador	A-vægtet lydtryksniveau ved operatørens position	A-viktad ljudtrycksnivå vid operatörsplats	A-painotettu käyttäjään kohdistuva äänenpainetaso	Støynivåvekting ved operatørens posisjon	Амплитудно-взвешенный уровень звукового давления в рабочем месте оператора	L _{pa} = 72.0 dB(A)
Incerteza	Usikkerhed	Osäkerhet	Epätarkkuus	Usikkerhet	Погрешность	K= 2.5 dB
Nível de potência sonora ponderada A	A-vægtet lydeffektniveau	A-vägd ljudeffektnivå	A-painotettu äänenoteho	A-vektet lydeffektnivå	Уровень A-взвешенной звуковой мощности	L _{WA} = 83.0 dB(A)
Incerteza	Usikkerhed	Osäkerhet	Epätarkkuus	Usikkerhet	Погрешность	K= 2.5 dB
Nível de vibração (em conformidade com EN 60745-1 ; EN 50580)	Vibrationsniveau (iht. EN 60745-1 ; EN 50580)	Vibrationsnivå (enligt EN 60745-1 ; EN 50580)	Tärinätaso (standardin EN 60745-1 ; EN 50580 mukaisesti)	Vibrasjonsnivå (iht. EN 60745-1 ; EN 50580)	Уровень вибрации (в соответствии с EN 60745-1 ; EN 50580)	
Valor total da vibração	Total vibrationsværdi	Totalvärde för vibration	Tärinän kokonaisarvo	Vibrasjon totalverdi	Суммарное значение вибрации	a _v = 0.1 m/s ²
Incerteza	Usikkerhed	Osäkerhet	Epätarkkuus	Usikkerhet	Погрешность	K = 1.5 m/s ²

Bateria e carregador	Batteri og oplader	Batteri och batteriladdare	Akku ja laturi	Batteri og lader	Аккумуляторная батарея и зарядное устройство	
Modelo	Model	Modell	Malli	Modell	Модель	OWS1880
Baterias compatíveis	Kompatible batterier	Kompatibla batteripaket	Yhteensopivat akut	Kompatible batteripakker	Совместимая аккумуляторная батарея	RB18L13/ RB18L15/ RB18L25/ RB18L26/ RB18L40/ RB18L50
Carregador compatível	Kompatibel oplader	Kompatibel laddare	Yhteensopiva laturi	Kompatibel lader	Совместимое зарядное устройство	BCL-1800/ BCL1418/ BCL14181H/ BCL14183H





Polski	Čeština	Magyar	Română	Latviski	Lietuviškai	Eesti
Parametry techniczne	Technické údaje produktu	Termék műszaki adatai	Specificațiile produsului	Produkta specifikācijas	Gaminio techninės savybės	Toote tehnilised andmed
Opryskiwacz bezprzewodowy	Bezdrátový postřikovač plevele	Akkumulátoros gyomirtó permetező	Aparat de stropit buruieni fără cablu electric	Bezvadu nezaļu smidzinātājs	Belaidis piktžolių purkštuvus	Akutoitega umbrohuprirts
Model	Model	Tipus	Model	Modelis	Modelis	Mudel
Typ pompy:	Typ čerpadla:	Szivattyútípus:	Tip pompă:	Sūkņa veids:	Siurblio tipas:	Pumba tüüp:
Pompa membranowa	Membránové čerpadlo	Membránszivattyú	Diafragmă pompă	Diafragmas sūknis	Diafragminis siurblys	Diafragma-tüüpi pump
Pojemność zbiornika	Objem nádrže	Tartály kapacitása	Capacitate rezervor	Tvertnes tilpums	Rezervuaro talpa	Paagi maht
Zawór natryskowy:	Rozprašovací ventil:	Szórószelap:	Supapă de pulverizare:	Smidzināšanas vārsts:	Purškimo sklendė:	Pihustiklapp:
Zintegrowana dźwignia	Úchopová páka	Integrált fogókar	Manetă de prindere integrală	Iebūvēta roktura svira	Įmontuota rankenos svirtis	Sisseehitatud hoob
Wymiary (szer. x dł. x wys.)	Rozměry (ŠxDxV)	Méreték (Sz x H x M)	Dimensiune (G x L x l)	Izmēri (PxGxA)	Matmenys (P x l x A)	Mõõtmed (L x K x S)
Ciśnienie	Tlak	Nyomás	Presiune	Spiediens	Slėgis	Õhurõhk
Przepustowość	Průtok	Áramlási sebesség	Ritm de scurgere	Plūsmas ātrums	Srauto greitis	Vooluhulk
Masa netto	Čistá hmotnost	Nettó tömeg	Greutate netă	Svars neto	Neto svoris	Netomass
Poziom emisji hałasu (zgodnie z normą EN 60745-1; EN 50580)	Hladina emise hluku (v souladu s EN 60745-1; EN 50580)	Hangkibocsátási szint (az EN 60745-1; EN 50580 szerint)	Nivel emisie zgomot (în conformitate cu EN 60745-1; EN 50580)	Trokšņu emisijas līmenis (saskaņā ar EN 60745-1; EN 50580)	Skleidžiamo triukšmo lygis (pagal EN 60745-1; EN 50580 standartą)	Helivõimsuse tase (vastavalt standardile EN 60745-1; EN 50580)
Poziom ciśnienia akustycznego w pozycji operatora	Hladina akustického tlaku vážená funkcí A v poloze obsluhy	A-súlyozott hangnyomásszint a kezelő helyén	Un nivel de presiune al sunetului mai tare la poziția operatorului.	Lietotāja pozīcijā ir ar A novērtēts skaņas spiediena līmenis.	A lygio svoris garso slėgis operatoriaus padėtyje.	A-kaalitud müraeemissiooni rõhu tase operatoori töökohal
Niepewność pomiaru	Nejistota	Bizonytalanság	Incertitudine	NeNOTEIKTĪBA	Nepastovumas	Määramatus
A-ważony poziom natężenia hałasu	Hladina akustického výkonu vážená funkcí A	A-súlyozott hangteljesítményszint	Nivel de putere acustică ponderată A	A-līmeņa skaņas jaudas līmenis	A-svertinis akustinis lygis	A-kaalitud helivõimsuse tase
Niepewność pomiaru	Nejistota	Bizonytalanság	Incertitudine	NeNOTEIKTĪBA	Nepastovumas	Määramatus
Poziom vibracji (zgodnie z normą EN 60745-1; EN 50580)	Úroveň vibrací (v souladu s EN 60745-1; EN 50580)	Vibrációs szint (az EN 60745-1; EN 50580 szerint)	Nivel de vibrație (în conformitate cu EN 60745-1; EN 50580)	Vibrācijas līmenis (saskaņā ar EN 60745-1; EN 50580)	Vibracijos lygis (pagal EN 60745-1; EN 50580 standartą)	Vibratsioonitase (vastavalt standardile EN 60745-1; EN 50580)
Łączna wartość vibracji	Hodnota celkových vibrací	Vibráció teljes értéke	Valoare totală vibrație	Vibrācijas kopējais apjoms	Bendra vibracijos vertė	Vibratsiooni koguväärtus
Niepewność pomiaru	Nejistota	Bizonytalanság	Incertitudine	NeNOTEIKTĪBA	Nepastovumas	Määramatus

Akumulator i ładowarka	Nabíječka a baterie	Akkumulátor és töltő	Bateria și încărcătorul	Akumulators un lādētājs	Akumulatorius ir įkroviklis	Aku ja laadija
Model	Model	Tipus	Model	Modelis	Modelis	Mudel
Pasujące akumulatory	Kompatibilni akumulatory	Kompatibilis akkumulátorok	Acumulatori compatibili	Savietojami akumulatoru komplekti	Suderinami baterijos paketai	Ühilduvad akupaketid
Odpowiednia ładowarka	Kompatibilni nabíječka	Kompatibilis töltő	Încărcător compatibil	Saderīgs lādētājs	Tinkamas įkroviklis	Ühilduv laadija





Hrvatski	Slovensko	Slovenčina	България	Українська	Turce	
Specifikacije proizvoda	Specifikacije izdelka	Špecifikácie produktu	Технически характеристики	Технічні характеристики продукту	Ürün teknik özellikleri	
Bežični raspršivač za korov	Akumulatorska škropilnica	Akumulátorový postrekováč buriny	Безжична градинска пръскачка	Бездротовий гербіцидний обприскувач	Kablosuz bahçe yıkama/sulama makinesi	
Model	Model	Modelis	Модел	Модель	Model	OWS1880
Vrsta pumpe:	Tip črpake:	Typ čerpadla:	Тип помпа:	Тип насос:	Pompa tipi:	
Dijafagma pumpe	Membranska črpalka	Membránové čerpadlo	Диафрагмена помпа	Мембранний насос	Diyaframlı pompa	
Kapacitet spremnika	Prostornina posode za škropivo	Kapacita nádržky	Капацитет на резервоара	Ємність баку (л)	Depo kapasitesi	3.5 L
Ventil za raspršivanje:	Škropilni ventil:	Sprejavací ventil:	Разпръскваща клапа:	Розпилюючий клапан:	Püskürtme subabı:	
Integralna ručka	Ročica	Vstavaná úchopná páčka	Лост с вграден захват	Вмонтована ручка	Entegre tutma kolu	
Dimenzije (ŠxDxV)	Dimenzije (Š x D x V)	Rožmery (Š x D x V)	Размери (Ш x Д x В) (см)	Розмір (Ш x Д x В) (см)	Ebatları (GxUxY)	18 x 24 x 30 cm
Tlak	Tlak	Tlak	Налягане	Тиск (фунт/кв. дюйм)	Basınç	3.1bar (45PSI)
Brzina protoka	Pretok	Prietok	Дебит (мл/мин)	Розхід рідини (мл/хв)	Akış hızı (ml/dk)	500 ml/min
Neto težina	Neto teža	Netto hmotnosť	Нетно тегло	Вага нетто	Net ağırlık	1.45 kg
Razina emisija buke (u skladu s EN 60745-1 ; EN 50580)	Raven emisij hrupa (v skladu s standardom EN 60745-1 ; EN 50580)	Úroveň emisii hluku (podľa normy EN 60745-1 ; EN 50580)	Ниво на шумовите емисии (в съответствие с EN 60745-1 ; EN 50580)	Рівень шуму (відповідно до EN 60745-1 ; EN 50580)	Gürültü emisyon seviyesi (EN 60745-1 ; EN 50580 uyarınca)	
A-ponderirana razina zvučnog tlaka u položaju operatera	A-izmerjena raven zvočnega tlaka pri položaju upravljalca	Vážená A hladina akustického tlaku na pozícií obsluhujúcej osoby.	Равнище А на нивото на шумовото налягане на мястото на оператора.	A-зважений рівень звукового тиску на робочому місці оператора	Kullanıcı pozisyonundaki A ağırlıklı ses basıncı seviyesi	L _{PA} = 72.0 dB(A)
Neodređenost	Negotovost	Neurčitost	Променливост	Невизначеність	Belirsiz	K= 2.5 dB
Ponderirana razina zvučne snage	A-izmerjena raven zvočne moči	Vážená A hladina akustického výkonu	Ниво на силата на шума с равнище А	A-зважений рівень звукової потужності	A ağırlıklı ses gücü seviyesi	L _{WA} = 83.0 dB(A)
Neodređenost	Negotovost	Neurčitost	Променливост	Невизначеність	Belirsiz	K= 2.5 dB
Razina vibracija (u skladu s EN 60745-1 ; EN 50580)	Nivo vibracij (v skladu s standardom EN 60745-1 ; EN 50580)	Úroveň vibrácií (podľa normy EN 60745-1 ; EN 50580)	Ниво на вибрациите (в съответствие с EN 60745-1 ; EN 50580)	Рівень вібрації (відповідно до EN 60745-1 ; EN 50580)	Titreşim seviyesi (EN 60745-1 ; EN 50580 uyarınca)	
Ukupna vrijednost vibracija	Skupna vrednost vibracij	Celková hodnota vibrácií	Обща стойност на вибрациите	Загальне значення вібрації	Toplam titreşim değeri	a _h = 0.1 m/s ²
Neodređenost	Negotovost	Neurčitost	Променливост	Невизначеність	Belirsiz	K = 1.5 m/s ²

Baterija i punjač	Baterija in polnilnik	Akumulátor a nabijačka	Батерия и зарядно устройство	Акумулятор і зарядний пристрій	Pil ve şarj cihazı	
Model	Model	Modelis	Модел	Модель	Model	OWS1880
Kompatibilna pakiranja baterija	Združljive baterije	Kompatibilné jednotky akumulátorov	Съвместими батерии	Сумісні акумуляторні блоки	Uyumlu pil takımları	RB18L13/ RB18L15/ RB18L25/ RB18L26/ RB18L40/ RB18L50
Kompatibilni punjači	Združljiv polnilnik	Kompatibilná nabijačka	Съвместимо зарядно устройство	Сумісний зарядний пристрій	Uyumlu şarj cihazı	BCL-1800/ BCL1418/ BCL14181H/ BCL14183H



EN RYOBI® WARRANTY APPLICATION CONDITIONS

In addition to any statutory rights resulting from the purchase, this product is covered by a guarantee as stated below.

1. The warranty period is 24 months for consumers and commences on the date when the product was purchased. This date has to be documented by an invoice or other proof of purchase. The product is designed and dedicated to consumer and private use only. So there is no warranty provided in case of professional or commercial use.
2. There is a possibility to extend for a part of the range of garden tools (AC/DC) the warranty period over the period described above using the registration on the www.ryobitools.eu website. The eligibility of the tools for extension of the warranty period is clearly displayed in stores and / or on packaging / and contained within the product documentation. The end user needs to register his/her newly-acquired tools online within 30 days from the date of purchase. The end user may register for the extended warranty in his country of residence if listed on the online registration form where this option is valid. Furthermore, end users must give their consent to the storage of the data that are required to be entered online, and they have to accept the terms and conditions. The registration confirmation receipt, which is sent out by e-mail, and the original invoice showing the date of purchase will serve as proof of the extended warranty.
3. The warranty covers all defects of the product during the warranty period due to defaults in workmanship or material at the purchase date. The warranty is limited to repair and/or replacement and does not include any other obligations including but not limited to incidental or consequential damages. The warranty is not valid if the product has been misused, used contrary to the instruction manual, or being incorrectly connected. This warranty does not apply to:
 - any damage to the product that is the result of improper maintenance
 - any product that has been altered or modified
 - any product where original identification (trade mark, serial number) markings have been defaced, altered or removed
 - any damage caused by non-observance of the instruction manual
 - any non CE product
 - any product that has been attempted to be repaired by a non-qualified professional or without prior authorization by Techtronix Industries
 - any product connected to improper power supply (amps, voltage, frequency)
 - any product used with inappropriate fuel mixture (fuel, oil, percentage of oil)
 - any damage caused by external influences (chemical, physical, shocks) or foreign substances
 - normal wear and tear spare parts
 - inappropriate use, overloading of the tool
 - use of non-approved accessories or parts
 - Any periodic adjustments to or maintenance cleaning of carburetors
 - Components (parts and accessories) subject to natural wear and tear, including but not limited to bump knobs, drive belts, clutch, blades of hedge trimmers or lawn mowers, harness, cable throttle, carbon brushes, power cord, tines, felt washers, hitch pins, blower fans, blower and vacuum tubes, vacuum bag and straps, guide bars, saw chains, hoses, connector fittings, spray nozzles, wheels, spray wands, inner reels, outer spools, cutting lines, spark plugs, air filters, gas filters, mulching blades, etc.
4. For servicing, the product must be sent or presented to a RYOBI authorized service station listed for each country in the following list of service station addresses. In some countries your local RYOBI dealer undertakes to send the product to the RYOBI service organisation. When sending a product to a RYOBI service station, the product should be safely packed without any dangerous contents such as petrol, marked with sender's address and accompanied by a short description of the fault.
5. A repair / replacement under this warranty is free of charge. It does not constitute an extension or a new start of the warranty period. Exchanged parts or tools become our property. In some countries delivery charges or postage will have to be paid by the sender. Your statutory rights arising from the purchase of the tool remain unaffected
6. This warranty is valid in the European Community, Switzerland, Iceland, Norway, Liechtenstein, Turkey and Russia. Outside these areas, please contact your authorized RYOBI dealer to determine if another warranty applies.

AUTHORISED SERVICE CENTRE

To find an authorised service centre near you, visit <http://uk.ryobitools.eu/header/service-and-support/service-agents>.

FR RYOBI® CONDITIONS D'APPLICATION DE LA GARANTIE

En plus des droits statutaires liés à l'achat, ce produit est couvert par une garantie telle que décrite ci-dessous.

1. La durée de la garantie accordée au consommateur est de 24 mois à partir de la date d'achat. Cette date doit être authentifiée par une facture ou tout autre preuve d'achat. Le produit a été conçu en vue d'une utilisation strictement privée. Aucune garantie ne s'applique donc en cas d'utilisation professionnelle ou commerciale.
2. Il existe pour une partie de la gamme « jardin » (AC/DC), une possibilité d'étendre la période de garantie au-delà de la période précédemment décrite en utilisant le formulaire d'enregistrement présent sur le site Internet www.ryobitools.eu. L'éligibilité d'un outil est clairement affichée dans les points de vente et/ou sur l'emballage et la documentation. L'utilisateur final doit enregistrer son/ses outil(s) nouvellement acheté(s) en ligne dans les 30 jours qui suivent la date d'achat. L'utilisateur a la possibilité de s'enregistrer pour l'extension de garantie dans son pays de résidence si celui-ci est listé dans le formulaire d'enregistrement en ligne où cette option est valide. L'utilisateur final doit donner son consentement pour l'enregistrement des données requises pour accéder au site et doit accepter les termes et conditions. La confirmation d'enregistrement, envoyée par courrier électronique, ainsi que la facture originale mentionnant la date d'achat serviront de preuve de l'extension de garantie.
3. La garantie couvre pendant la période de garantie les défauts des produits liés à la fabrication et aux matériaux à la date d'achat. La garantie est limitée à la réparation et/ou au remplacement et n'inclut aucune autre obligation, tel que, mais sans s'y limiter, les dommages accessoires ou indirects. La garantie est non valable en cas de mauvaise utilisation du produit, d'utilisation contraire aux instructions du mode d'emploi, ou en cas de branchement incorrect. Cette garantie ne s'applique pas pour :
 - tout dommage au produit résultant d'un mauvais entretien
 - tout produit ayant été altéré ou modifié
 - tout produit dont les marquages originaux d'identification (marque, numéro de série) ont été dégradés, altérés ou retirés
 - tout dommage causé par le non-respect des instructions du mode d'emploi
 - tout produit non CE
 - tout produit ayant subi une tentative de réparation par du personnel non qualifié ou sans autorisation préalable de Techtronix Industries
 - tout produit raccordé à une alimentation secteur non conforme (ampérage, voltage, fréquence)
 - tout produit utilisé avec un mélange inapproprié (essence, huile, pourcentage d'huile)
 - tout dommage causé par des influences extérieures (chimiques, physiques, chocs) ou par des substances étrangères
 - l'usure normale des pièces consommables
 - une utilisation inappropriée, une surcharge de l'outil
 - l'utilisation de pièces ou accessoires non agréés
 - Tout réglage périodique ou tout nettoyage de maintenance des carburateurs
 - les composants (pièces et accessoires) sujets à une usure naturelle, incluant de façon non exhaustive les têtes de fil à frapper, les courroies de transmission, les embrayages, les lames des taille-haies ou des tondeuses à gazon, les harnais, les câbles d'accélérateur, les charbons, les cordons d'alimentation, les fraises de cultivateurs, les rondelles feutre, les goupilles de fraise, les turbines et lame de broyage des souffleurs, les tubes de soufflage et d'aspiration des souffleurs, les sacs de souffleurs et leurs lanières, les guides-chaîne, les chaînes de tronçonneuses, les tuyaux et raccords, les buses et lances de nettoyeurs haute pression, les roues, les recharges de fil des têtes de coupe, les têtes de coupe, le fil de coupe, les bougies d'allumage, les filtres à air, les filtres à essence, etc.
4. Si le produit doit être réparé, envoyez-le à un service après-vente agréé RYOBI dont vous trouverez ci-dessous la liste pour chaque pays. Dans certains pays, votre revendeur RYOBI se chargera d'envoyer le produit à un centre de réparation RYOBI. Lorsque vous envoyez un produit à un service après-vente RYOBI, celui-ci doit être correctement emballé, sans contenir aucun produit dangereux tel que de l'essence, et vous devez indiquer votre adresse ainsi qu'une courte description du problème.
5. Une réparation / un remplacement sous garantie est gratuit(e). Ceci ne constituera pas une extension de garantie ni un nouveau départ de la période de garantie. Les pièces ou les outils remplacés deviennent notre propriété. Dans certains pays, les frais de port devront être assumés par l'expéditeur. Vos droits statutaires restent inchangés.
6. Cette garantie est valable au sein de l'Europe, de la Suisse, de l'Islande, de la Norvège, du Liechtenstein, de la Turquie, de la Russie. En dehors de ces zones, veuillez contacter votre distributeur agréé RYOBI pour déterminer si une autre garantie s'applique.

SERVICE APRÈS-VENTE AGRÉÉ

Pour trouver le service après-vente agréé le plus proche, rendez-vous sur <http://fr.ryobitools.eu/header/service-and-support/service-agents>.

DE RYOBI® GARANTIEBEDINGUNGEN

Zusätzlich zu den obligatorischen Rechten aus dem Kauf gilt für dieses Produkt die nachstehend aufgeführte Garantie.

- Der Garantiezeitraum beträgt für Verbraucher 24 Monate und beginnt mit dem Datum des Kaufs. Dieses Datum muss durch eine Rechnung oder einen anderen Kaufbeleg dokumentiert werden. Dieses Produkt wurde ausschließlich zur privaten Nutzung durch Verbraucher entwickelt. Für den Fall einer professionellen bzw. kommerziellen Nutzung besteht daher keine Garantie.
- Es besteht die Möglichkeit, für einen Teil des Sortiments der Gartenwerkzeuge (AC/DC) den Garantiezeitraum über den oben genannten Zeitraum hinaus zu verlängern, indem der Verbraucher die Registrierung auf der Website www.ryobitools.eu durchführt. Die Berechtigung der Werkzeuge für die Garantieverlängerung ist deutlich im Geschäft und/oder auf der Verpackung beschrieben und in der Produktdokumentation erwähnt. Der Verbraucher muss das neu erworbene Gerät online innerhalb von 30 Tagen ab dem Kaufdatum registrieren. Der Verbraucher kann das Gerät zwecks Garantieverlängerung in seinem Residenzland registrieren, wenn dieses Land auf dem Online-Registrierungsformular aufgeführt und die Option gültig ist. Darüber hinaus muss der Verbraucher seine Zustimmung zur Speicherung der Daten geben, die online eingegeben werden müssen, und er muss die allgemeinen Geschäftsbedingungen akzeptieren. Die Bestätigung der Registrierung, die per E-Mail versandt wird, und die Originalrechnung mit dem Kaufdatum gelten als Beleg für die Garantieverlängerung.
- Die Garantie deckt alle Defekte des Geräts während des Garantiezeitraums ab, die auf zum Zeitpunkt des Kaufs bestehende Verarbeitungs- oder Materialfehler zurückzuführen sind. Die Garantie beschränkt sich auf Reparatur und/oder Ersatz und beinhaltet keine anderen Verpflichtungen, einschließlich, aber nicht begrenzt auf Schadenersatz für Folge- oder Nebenschäden. Die Garantie gilt nicht, wenn das Gerät fehlerhaft eingesetzt wurde, gegensätzlich zur Bedienungsanleitung eingesetzt wurde oder falsch angeschlossen wurde. Die Garantie gilt nicht für Folgendes:
 - Schäden am Gerät, die auf unkorrekte Wartung zurückzuführen sind
 - Geräte, an denen Veränderungen vorgenommen wurden
 - Produkte, bei denen die ursprüngliche Identifizierung (Handelsmarke, Seriennummer) unleserlich gemacht, verändert oder entfernt wurde
 - Schäden durch Nichtbeachtung der Bedienungsanleitung
 - nicht-CE-zertifizierte Geräte
 - Geräte, an denen durch nicht-qualifizierte Personen oder ohne vorherige Genehmigung von Technicon Industries Reparaturversuche vorgenommen wurden
 - Geräte, die an unkorrekte Energiequellen (Ampere, Volt, Frequenz) angeschlossen wurden
 - Geräte, die mit einer fehlerhaften Treibstoffmischung (Treibstoff, Öl, Ölanteil) betrieben wurden
 - Schäden durch äußere Einflüsse (chemisch, physisch, Stöße) oder Fremdstoffe
 - normaler Verschleiß von Ersatzteilen
 - unangemessene Nutzung, Überlastung des Geräts
 - Nutzung nicht genehmigter Zubehörteile oder Ersatzteile
 - Regelmäßige Einstellung oder Wartungsreinigung des Vergasers
 - Komponenten (Ersatzteile und Zubehörteile), die natürlichem Verschleiß unterliegen, einschließlich, aber nicht beschränkt auf Pufferknäufe, Treibriemen, Kupplungen, die Klingen von Heckenscharen oder Rasenmähern, Kabelstränge, Gaszüge, Kohlebürsten, Stromkabel, Zinken, Filzunterlegscheiben, Steckbolzen, Gebläselüfter, Gebläse- und Vakuumschläuche, Vakuumbbeutel und -riemen, Führungsleisten, Kettensägen, Schläuche, Verbinder, Spraydüsen, Räder, Sprühstäbe, Innenrollen, Außenspulen, Schneideanlagen, Zündkerzen, Luftfilter, Gasfilter, Mulchenklingen usw.
- Zum Service muss das Gerät zu einer von RYOBI autorisierten Servicestation gebracht oder dorthin gesendet werden. Die Servicestationen für die einzelnen Länder sind in der folgenden Liste aufgeführt. In einigen Ländern sendet Ihr RYOBI-Händler vor Ort das Gerät an das RYOBI-Serviceunternehmen. Beim Einsenden an die RYOBI-Servicestation sollte das Gerät sicher verpackt sein, ohne gefährliche Inhalte wie Benzin, und es sollte mit der Adresse des Absenders und einer kurzen Beschreibung des Fehlers versehen sein.
- Eine Reparatur bzw. ein Ersatz gemäß dieser Garantie ist kostenlos. Hieraus ergibt sich weder eine Garantieverlängerung noch der Beginn eines neuen Garantiezeitraums. Die ausgetauschten Ersatzteile oder Werkzeuge gehen in unser Eigentum über. In einigen Ländern müssen die Zustellgebühren oder die Versandkosten vom Absender gezahlt werden. Ihre gesetzlichen Rechte aus dem Kauf des Geräts bleiben hiervon unberührt.
- Diese Garantie gilt in der Europäischen Union, der Schweiz, Island, Norwegen, Lichtenstein, der Türkei und Russland. Bitte wenden Sie sich außerhalb dieser Gebiete an Ihren autorisierten RYOBI-Händler, um festzustellen, ob eine andere Garantie gilt.

AUTORISIERTER KUNDENDIENST

Besuchen Sie <http://de.ryobitools.eu/header/service-and-support/service-agents>, um einen autorisierten Kundendienst in Ihrer Nähe zu finden.

ES CONDICIONES DE APLICACIÓN DE LA GARANTÍA DE RYOBI®

Además de cualquier derecho legal derivado de la compra, este producto está cubierto por una garantía que se indica a continuación.

- El periodo de garantía es de 24 meses para consumidores y comienza en la fecha en que se comprara el producto. Dicha fecha debe documentarse con una factura u otro comprobante de compra. El producto está diseñado y concebido únicamente para el uso privado del consumidor. Por lo tanto, no se ofrece garantía en caso de uso profesional o comercial.
- Existe la posibilidad de ampliar el periodo de garantía respecto a una parte de la gama de herramientas de jardinería (CA/CC) durante el periodo descrito más arriba y mediante el registro en el sitio web www.ryobitools.eu. La elegibilidad de las herramientas para que se amplie el periodo de garantía se muestra claramente en las tiendas o en el embalaje y está incluida en la documentación del producto. El usuario final tiene que registrar en línea sus herramientas recientemente adquiridas en un plazo de 30 días a partir de la fecha de compra. El usuario final podrá registrarse para obtener la garantía ampliada en su país de residencia si este aparece en la lista del formulario de registro en línea cuando esta opción sea válida. Además, los usuarios finales deberán dar su consentimiento al almacenamiento de los datos necesarios para el acceso en línea y tienen que aceptar los términos y condiciones. El recibo de confirmación de registro, que se envía por correo electrónico, y la factura original que muestra la fecha de compra servirán como comprobante para la garantía ampliada.
- La garantía cubre todos los defectos del producto durante el periodo de garantía debido a fallos de mano de obra o material en la fecha de compra. La garantía se limita a la reparación o sustitución y no incluye ninguna otra obligación como, por ejemplo, daños accidentales o consecuentes. La garantía no es válida si se ha usado mal el producto, se ha usado contraviniendo el manual de instrucciones o se ha conectado de forma incorrecta. Esta garantía no es aplicable a:
 - ningún daño en el producto que sea consecuencia de un mantenimiento inadecuado
 - ningún producto que haya sido alterado o modificado
 - ningún producto en el que los marcados de identificación originales (marca comercial, número de serie) se hayan borrado, modificado o eliminado
 - ningún daño provocado por no seguir el manual de instrucciones
 - ningún producto que no sea CE
 - ningún producto que haya sufrido un intento de reparación por parte de un profesional no cualificado o sin la autorización previa de Technicon Industries.
 - ningún producto conectado a un suministro eléctrico inadecuado (amperios, voltaje, frecuencia)
 - ningún producto usado con una mezcla de combustible inadecuada (combustible, aceite, porcentaje de aceite)
 - ningún daño causado por influencias externas (químicas, físicas, impactos) o sustancias extrañas
 - desgaste normal de piezas de repuesto
 - uso inadecuado, sobrecarga de la herramienta
 - uso de accesorios o piezas no aprobados
 - Cualquier ajuste periódico o limpieza de mantenimiento de los carburadores
 - Componentes (piezas y accesorios) sujetos al desgaste natural incluyendo, entre otros, pomos de golpes, correas de transmisión, embragues, cuchillas de cortasetos o cortacésped, ameses, cable del acelerador, escobillas de carbono, cables eléctricos, púas, discos de filtro, pasadores de enganche, ventiladores de soplador, tubos de aspiración y de soplado, bolsas y correas de aspiración, barras guías, cadenas de sierra, mangueras, herrajes de conectores, boquillas pulverizadoras, ruedas, lanzas pulverizadoras, bobinas interiores, carretes exteriores, líneas de corte, bujías, filtros de aire, filtros de gas, cuchillas de compostaje, etc.
- Para su mantenimiento, el producto debe enviarse o presentarse a una estación de servicio de RYOBI autorizada que figure en la siguiente lista de direcciones de estaciones de servicio por países. En algunos países, su distribuidor RYOBI local se responsabiliza de enviar el producto a la compañía de servicio de RYOBI. Cuando se envíe un producto a una estación de servicio de RYOBI, este debe estar empaquetado de forma segura sin contenidos peligrosos como gasolina, marcado con la dirección del remitente y acompañado de una breve descripción del fallo.
- Una reparación / sustitución con esta garantía es gratuita. No constituye una ampliación ni un nuevo comienzo del periodo de garantía. Las piezas o herramientas intercambiadas pasan a ser de nuestra propiedad. En algunos países, los gastos de envío o correo tendrá que pagarlos el remitente. Sus derechos legales derivados de esta compra de la herramienta no se verán afectados.
- Esta garantía es válida en la Unión Europea, Suiza, Islandia, Noruega, Lichtenstein, Turquía y Rusia. Fuera de estas zonas, póngase en contacto con su distribuidor de RYOBI autorizado para determinar si es aplicable otra garantía.

SERVICIO TÉCNICO AUTORIZADO

Para encontrar el servicio técnico autorizado más cercano, visite <http://uk.ryobitools.eu/header/service-and-support/service-agents>.

IT CONDIZIONI DI VALIDITÀ DELLA GARANZIA RYOBI®

In aggiunta ai diritti di legge risultanti dall'acquisto, il prodotto è coperto dalla garanzia sotto descritta.

- Il periodo di garanzia è di 24 mesi per i consumatori, a decorrere dalla data di acquisto del prodotto. La data deve essere documentata da una fattura o altra prova d'acquisto. Il prodotto è progettato e destinato solo all'utilizzo privato dei consumatori. Pertanto non viene fornita alcuna garanzia in caso di uso professionale o commerciale.
- Per una serie di utensili da giardino (CA/CC) è possibile prolungare il periodo di garanzia oltre quello descritto, registrandosi sul sito web www.ryobitools.eu. Gli utensili per i quali è possibile prolungare il periodo di garanzia sono chiaramente indicati nei negozi e/o sulle confezioni e nella documentazione dei prodotti. L'utente deve registrare online l'utensile acquistato entro 30 giorni dalla data di acquisto. L'utente può registrarsi per la garanzia prolungata nel proprio paese di residenza, se questo è elencato nel modulo di registrazione online dove questa opzione sia valida. Inoltre gli utenti devono fornire il proprio consenso alla conservazione dei dati da immettere online e devono accettare le condizioni generali. La conferma di registrazione, inviata tramite e-mail, e la fattura originale indicante la data di acquisto, costituiranno la prova della garanzia prolungata.
- La garanzia copre tutti i difetti del prodotto durante il periodo di garanzia, risultati da manodopera o materiali alla data di acquisto. La garanzia è limitata alla riparazione e/o sostituzione e non include alcun altro obbligo quali, a mero titolo esemplificativo, i danni incidentali o consequenziali. La garanzia non è valida se il prodotto è stato usato scorrettamente, in modo contrario al manuale di istruzioni o se è stato collegato in modo errato. La garanzia non è valida per:
 - qualsiasi danno al prodotto dovuto a manutenzione errata;
 - qualsiasi prodotto che sia stato alterato o modificato;
 - qualsiasi prodotto le cui marcature di identificazione originali (marchi di fabbrica, numero di serie) siano state cancellate, alterate o rimosse;
 - qualsiasi danno causato dalla non osservanza delle istruzioni del manuale;
 - qualsiasi prodotto privo di omologazione CE;
 - qualsiasi prodotto che sia stato sottoposto a un tentativo di riparazione da parte di un professionista non qualificato oppure senza la previa autorizzazione di Techtronic Industries;
 - qualsiasi prodotto collegato a un'alimentazione errata (per amperage, tensione, frequenza);
 - qualsiasi prodotto usato con una miscela di carburante errata (carburante, olio, percentuale di olio);
 - qualsiasi danno causato da influenze esterne (chimiche, fisiche, urti) o sostanze estranee;
 - la normale usura delle parti di ricambio;
 - uso inappropriato, sovraccarico dell'utensile;
 - uso di accessori o parti non omologate;
 - qualsiasi regolazione periodica o pulizia di manutenzione dei carburatori;
 - componenti (parti e accessori) soggetti alla normale usura compresi, a mero titolo esemplificativo, pomelli antiurto, cinghie di trasmissione, frizioni, lame di potasiepi o tagliaerba, cinghie da spalla, cavi della valvola a farfalla, spazzole al carbonio, cavi di alimentazione, denti, rondelle di feltro, perni di aggancio, ventole dei soffiatori, tubi di soffiatori e aspiratori, sacchetti e cinghie per aspirapolvere, barre guida, catene per seghe, tubi, raccordi di connessione, ugelli di spruzzo, ruote, erogatori, bobine interne ed esterne, linee di taglio, candele, filtri dell'aria, filtri del gas, lame per pacciamatura ecc.
- Per la manutenzione il prodotto dev'essere spedito o portato presso uno dei centri assistenza autorizzati RYOBI elencati per ogni paese nel seguente elenco di indirizzi dei centri. In alcuni paesi il rivenditore locale RYOBI si incarica di inviare il prodotto all'organizzazione di assistenza RYOBI. Quando si invia un prodotto a un centro assistenza RYOBI, imballarlo in modo sicuro senza contenuti pericolosi come la benzina, apporre l'indirizzo del mittente e accompagnarlo da una breve descrizione del guasto.
- La riparazione/sostituzione ai sensi della presente garanzia è gratuita. Non costituisce un prolungamento o un nuovo inizio del periodo di garanzia. Le parti o gli utensili scambiati diventano di nostra proprietà. In alcuni paesi i costi di consegna o di spedizione postale devono essere pagati dal mittente. I diritti di legge derivanti dall'acquisto dell'utensile rimangono inalterati.
- La presente garanzia è valida in Unione Europea, Svizzera, Islanda, Norvegia, Liechtenstein, Turchia e Russia. Al di fuori di tali aree contattare il rivenditore autorizzato RYOBI per sapere se è valida un'altra garanzia.

CENTRO SERVIZI AUTORIZZATO

Per individuare il più vicino centro servizi autorizzato, visitare il sito <http://uk.ryobitools.eu/header/service-and-support/service-agents>.

NL RYOBI® GARANTIEVOORWAARDEN

Naast de wettelijke rechten die voortvloeien uit de aankoop, wordt dit product gedekt door een garantie, zoals hieronder staat vermeld.

- De garantietermijn voor consumenten bedraagt 24 maanden en gaat in op de datum waarop het product is gekocht. Deze datum moet worden gedocumenteerd met een factuur of een ander aankoopbewijs. Het product is uitsluitend ontworpen en bedoeld voor persoonlijk gebruik door consumenten. Er wordt dus geen garantie gegeven voor professioneel of commercieel gebruik.
- Voor een deel van ons aanbod van tuingereedschappen (AC/DC) is het mogelijk om de garantietermijn te verlengen over de boven beschreven termijn, met behulp van de website www.ryobitools.eu. De gereedschappen die in aanmerking komen voor de verlenging van de garantietermijn wordt duidelijk weergegeven in winkels en/of verpakkingen en staat beschreven in de productdocumentatie. De eindgebruiker moet zijn/haar nieuw gekochte gereedschappen binnen 30 dagen na aankoop online registreren. De eindgebruiker kan zich registreren voor de verlengde garantietermijn als zijn woonland staat vermeld op het online registratieformulier waar deze optie geldig is. Bovendien moeten eindgebruikers toestemming geven voor de opslag van de gegevens die online ingevuld moeten worden en moeten ze de algemene voorwaarden accepteren. Het ontvangstbewijs van de registratie, dat per e-mail wordt verzonden en de oorspronkelijke factuur met de aankoopdatum vormt het bewijs van de verlengde garantietermijn.
- De garantie dekt tijdens de garantietermijn alle gebreken van het product vanwege defecten in vakmanschap of materiaal op de aankoopdatum. De garantie is beperkt tot reparatie en/of vervanging en bevat geen andere verplichtingen, waaronder maar niet beperkt tot incidentele of gevolgschade. De garantie is niet geldig als het product is misbruikt, in strijd met de gebruiksaanwijzing wordt gebruikt of onjuist is aangesloten. Deze garantie geldt niet voor:
 - alle schade aan het product die het gevolg is van onjuist onderhoud
 - elk product dat is veranderd of aangepast
 - elk product waar de oorspronkelijke identificatie (handelsmerk, serienummer) is beschadigd, gewijzigd of verwijderd
 - alle schade die is veroorzaakt door het niet opvolgen van de gebruiksaanwijzing
 - elk niet-CE-product
 - elk product waar een poging tot reparatie is gedaan door een niet-erkende professional of zonder voorafgaande toestemming door Techtronic Industries.
 - elk product dat is verbonden met een verkeerde voeding (amperage, spanning, frequentie)
 - elk product dat wordt gebruikt met een verkeerd brandstofmengsel (brandstof, olie, oliegehalte)
 - alle schade die is veroorzaakt door externe invloeden (chemisch, fysisch, schokken) of vreemde stoffen
 - normale slijtage van reserveonderdelen
 - ongepast gebruik, overbelasting van het gereedschap
 - gebruik van niet-goedgekeurde accessoires of onderdelen
 - Alle periodieke aanpassingen aan of het onderhoud en reiniging van carburateurs
 - Componenten (onderdelen en accessoires) die onderhevig zijn aan natuurlijke slijtage, waaronder maar niet beperkt tot stootknoppen, aandrijfriemen, koppelingen, messen van hegtrimmers of grasmaaiers, harnas, gaskabel, koolstofborstels, stroomsoeren, tanden, viltringen, koppelingsspannen, blazers, blaas- en zuigbuizen, zuigzakken en -riemen, gelidingsstaven, zaagkettingen, slang, koppelingen, mondstukken, wielen, spuitstukken, binnenhaspels, buitenhaspels, snijdraden, bougies, luchtfilters, gasfilters, maaimessen, etc.
- Voor onderhoud moet het product worden verzonden of gebracht naar een erkend servicecentrum van RYOBI die voor elk land staan vermeld in de volgende lijst met adressen voor servicecentra. In sommige landen zal uw lokale RYOBI-dealer het product verzenden naar de RYOBI-serviceorganisatie. Wanneer u het product naar een servicecentrum van RYOBI verzendt, moet het product veilig worden verpakt zonder enige gevaarlijke inhoud, zoals benzine, met het adres van de afzender en vergezeld van een korte beschrijving van het defect.
- Een reparatie/vervanging die onder deze garantie valt is gratis. Het vormt geen verlenging of een nieuwe start van de garantietermijn. Verwisselde onderdelen of gereedschappen worden ons eigendom. In sommige landen moeten de verzendkosten door de afzender worden betaald. Uw wettelijke rechten die voortvloeien uit de aankoop van het gereedschap blijven onaangetaast.
- Deze garantie is geldig in de Europese Gemeenschap, Zwitserland, IJsland, Noorwegen, Liechtenstein, Turkije en Rusland. Buiten deze gebieden moet u contact opnemen met uw erkende RYOBI-dealer om vast te stellen of er een andere garantie van toepassing is.

GEAUTORISEERD ONDERHOUDSCENTRUM

Om een geautoriseerd onderhoudscentrum in uw buurt te vinden, surf u naar <http://uk.ryobitools.eu/header/service-and-support/service-agents>.

PT CONDIÇÕES DE APLICAÇÃO DA GARANTIA RYOBI®

Para além de quaisquer direitos previstos por lei resultantes da compra, este produto está coberto por uma garantia conforme descrição abaixo.

- O período da garantia é de 24 meses para consumidores particulares e inicia-se na data de compra do produto. Esta data tem de ser documentada por uma factura ou por outra prova de compra. O produto foi concebido para e destina-se apenas a consumidores particulares e uso privado. Assim, não é dada garantia em caso de utilização por profissionais ou uso comercial.
- Para uma parte da gama de ferramentas de jardim (AC/DC) existe a possibilidade de prolongamento do período da garantia para além do período descrito acima, mediante registo no Web site www.ryobitools.eu. A elegibilidade das ferramentas para prolongamento do período da garantia é claramente visível nas lojas e/ou nas embalagens e está contida na documentação do produto. O utilizador final tem de fazer o registo online das suas ferramentas recém-adquiridas no prazo de 30 dias após a data de compra. O utilizador final pode fazer o registo para prolongamento da garantia no seu país de residência, desde que esteja listado no formulário de registo online e para os casos em que esta opção seja válida. Para além disso, os utilizadores finais têm de autorizar o armazenamento dos dados cujo preenchimento lhes for solicitado online e têm de aceitar os termos e as condições. O recibo de confirmação do registo é enviado por e-mail e, em conjunto com a factura original ostentando a data de compra, servirá de prova do prolongamento da garantia.
- A garantia cobre todos os defeitos do produto durante o período da garantia devidos a defeitos de fabrico ou de material à data da compra. A garantia está limitada à reparação e/ou substituição e não inclui quaisquer outras obrigações, incluindo mas não se limitando a, perdas complementares ou indirectas. A garantia não é válida se o produto tiver sido utilizado incorrectamente, utilizado de forma contrária ao Manual de Instruções ou se as respectivas ligações tiverem sido feitas incorrectamente. Esta garantia não se aplica ao seguinte:
 - quaisquer danos ao produto que sejam resultado de manutenção incorrecta
 - qualquer produto que tenha sido alterado ou modificado
 - qualquer produto cujas marcações de identificação de origem (marca comercial, número de série) tiverem sido apagadas, alteradas ou retiradas
 - quaisquer danos causados pelo incumprimento do Manual de Instruções
 - qualquer produto que não seja da Comunidade Europeia
 - qualquer produto ao qual tenha sido feita, ou tentada fazer, uma reparação por outra pessoa que não um profissional habilitado ou sem autorização prévia da Technronic Industries.
 - qualquer produto ligado a uma fonte de alimentação eléctrica incorrecta (Amperes, Voltagem e Frequência)
 - qualquer produto utilizado com uma mistura de combustível incorrecta (combustível, óleo, percentagem de óleo)
 - qualquer dano causado por influências externas (químicas, físicas, impactos) ou substâncias estranhas
 - desgaste e degradação normal de sobresselentes
 - utilização incorrecta, sobrecarga da ferramenta
 - utilização de acessórios ou peças não aprovados
 - quaisquer ajustes periódicos a, ou limpeza de manutenção de, carburadores
 - Componentes (peças e acessórios) sujeitos a desgaste e degradação natural, incluindo mas não se limitando a, maçanetas anti-choque, correias de transmissão, embraiagens, lâminas de recortadores de sebes ou corta-relvas, arneses, cabos de acelerador, escovas de carvão, cabos eléctricos, dentes, anilhas de feltro, pinos de engate, ventoinhas do soprador, tubos do soprador e do aspirador, cintas e sacos do aspirador, barras de guia, correntes de serra, mangueiras, peças de ligação, bocais de pulverização, rodas, varinhas de pulverização, bobinas interiores, bobinas exteriores, linhas de corte, velas de ignição, filtros do ar, filtros de gasolina, lâminas trituradoras, etc.
- Para assistência, o produto tem de ser enviado para, ou apresentado em, um posto de assistência autorizado RYOBI, conforme listado para cada país na lista de moradas de postos de assistência seguinte. Nalguns países, o seu concessionário RYOBI local encarrega-se de enviar o produto para a organização de assistência RYOBI. Quando enviar um produto para um posto de assistência RYOBI, o produto deve ser embalado de forma segura, sem conter nenhuns conteúdos perigosos (por exemplo, gasolina), marcado com o endereço do remetente e acompanhado por uma breve descrição da avaria.
- Uma reparação/substituição ao abrigo desta garantia é gratuita. Não constitui um prolongamento a, nem um novo início de, o período da garantia. As peças ou ferramentas substituídas tornam-se propriedade nossa. Nalguns países, o remetente terá de pagar os custos de entrega ou a remessa postal. Os seus direitos previstos por lei resultantes da compra da ferramenta mantêm-se inalterados
- Esta garantia é válida na Comunidade Europeia, Suíça, Islândia, Noruega, Liechtenstein, Turquia e Rússia. Fora destas áreas, entre em contacto com o seu concessionário autorizado RYOBI para determinar se existe outra garantia aplicável.

CENTRO DE ASSISTÊNCIA AUTORIZADO

Para encontrar um centro de assistência autorizado próximo de si, visite <http://uk.ryobitools.eu/header/service-and-support/service-agents>.

DA RYOBI® BETINGELSER FOR GARANTI

Udover lovbestemte rettigheder, som resulterer af købet, er dette produkt dækket af en garanti, som anført herunder.

- Garantiperioden er 24 måneder for forbrugere og begynder på den dato, som produktet blev købt. Denne dato skal dokumenteres af en faktura eller andet bevis for køb. Produktet er udelukkende designet og dedikeret til forbrugere og privat brug. Så der ydes ingen garanti i tilfælde af professionel eller kommerciel brug.
- Der er en mulighed for at forlænge garantiperioden for en del af udvalget af haveværktøj (AC/DC), hen over den ovenfor beskrevne periode vha. registrering på hjemmesiden www.ryobitools.eu. Berettigelsen af værktøjet til forlængelse af garantiperioden er tydeligt vist i butikker og/eller på emballage/og indeholdt i produktokumentationen. Slutbruger skal registrere hans/hendes nyligt indkøbte værktøj online indenfor 30 dage efter købsdatoen. Slutbruger kan registrere sig for den forlængede garanti i sit land, hvis han/hun er opført på den online registreringsformular, hvor denne mulighed er gyldig. Derudover skal slutbrugere give deres samtykke til at opbevare data, som er påkrævet at indtaste online, og de er nødt til at acceptere vilkår og betingelser. Registreringsbekræftelseskvitteringen, som sendes ud på e-mail, og den originale faktura, som viser købsdatoen, vil fungere som bevis for den forlængede garanti.
- Garantien dækker alle defekter, som et produkt måtte have i løbet af garantiperioden, og som skyldes fejl i håndværk eller materiale på købsdatoen. Garantien er begrænset til reparation og/eller udskiftning og inkluderer ikke andre forpligtelser, inklusiv men ikke begrænset til tilfældige skader eller følgeskader. Garantien er ugyldig, hvis produktet er blevet misbrugt, brugt uden at overholde vejledningen, eller det er blevet forkert tilsluttet. Denne garanti gælder ikke:
 - Beskadigelse af produktet, som er et resultat af uegnet vedligeholdelse
 - Et produkt der er blevet ændret eller modificeret
 - Et produkt hvor de originale identifikationsmærkninger (varemærke, serienummer) er blevet ødelagt, ændret eller fjernet.
 - Enhver beskadigelse forårsaget af manglende overholdelse af vejledningen
 - Ethvert CE-produkt
 - Ethvert produkt som er blevet forsøgt repareret af en ukvalificeret professionel eller uden tidligere autorisation af Technronic Industries.
 - Ethvert produkt som er tilsluttet uegnet strømforsyning (ampere, spænding, frekvens)
 - Ethvert produkt som bruges med uegnet brændstofblanding (brændstof, olie, procentdel olie)
 - Enhver skade forårsaget af eksternt påvirkning (kemisk, fysisk, chok) eller fremmedlegemer
 - Normal slid på reservedele
 - Uegnet brug, overbelastning af værktøjet
 - Brug af ikke-godkendt tilbehør eller dele
 - Alle regelmæssige justeringer eller vedligeholdelsesrensning af karburatorer
 - Komponenter (dele og tilbehør) som er udsat for naturlig slid og ælde, inklusiv men ikke begrænset til drejeknapper, drivrem, greb, klinger til hækketrimmere eller plæneklypere, sele, kabel gasspjæld, kulbørster, elledning, tænder, filtskiver, ophængstapper, blæserventilatorer, blæser- og sugeslanger, sugesepe og stropper, styrestrenger, savkæder, slanger, forbindelsespakninger, sprøjtedyser, hjul, sprøjtestave, indvendige ruller, udvendige ruller, udvendige spoler, skærelinjer, tændrør, luftfiltre, gasfiltre, tildekkningsblade etc.
- For eftersyn skal produktet sendes til eller præsenteres for en RYOBI-autoriseret servicestation, som er oplistet for hvert land i den følgende liste over servicestationsadresser. I nogle lande påtager din lokale RYOBI-forhandler sig ansvaret for at sende produktet til RYOBI-serviceorganisationen. Når et produkt sendes til en RYOBI-servicestation, skal det pakkes sikkert ind uden noget farligt indhold som benzin, mærkes med afsenderens adresse og med en kort beskrivelse af fejlen.
- En reparation/erstatning under denne garanti er gratis. Den udgør ikke en forlængelse eller en ny start på garantiperioden. Udvekslede dele eller værktøjer bliver vores ejendom. I nogle lande skal leveringsafgifter eller porto betales af afsenderen. Denne lovbestemte rettigheder i forbindelse med købet forbliver uanfægtede
- Denne garanti gælder i EU, Schweiz, Island, Norge, Liechtenstein, Tyrkiet og Rusland. Udover disse områder bedes du kontakte din autoriserede RYOBI-forhandler for at afgøre, om en anden garanti gælder.

AUTORISEREDE SERVICE/VERKSTEDER

Find nærmeste autoriserede serviceværksted på <http://dk.ryobitools.eu/header/service-and-support/service-agents>.

SV RYOBI® ANVÄNDNINGSVILLKOR FÖR GARANTI

Förutom eventuella lagstadgade rättigheter som uppstår genom köpet, täcks den här produkten av en garanti som anges nedan.

- Garantiperioden är 24 månader för konsumenter och börjar gälla från det datum då produkten köptes. Detta datum måste dokumenteras på en faktura eller annat köpbevis. Produkten är utformad och avsedd för konsumenter och privat bruk. Däremot tillhandahålls ingen garanti vid yrkesmässigt eller kommersiellt bruk.
- Det finns möjlighet att förlänga garantiperioden för en del av utbudet för trädgårdsverktyg (AC/DC) under den period som anges ovan genom att använda registreringen på webbplatsen www.ryobitools.eu. De verktyg som är berättigade till en förlängning av garantiperioden visas tydligt i butik och/eller på förpackningen/och anges i produktdokumentationen. Slut användaren behöver registrera hans/hennes nyförvärvade verktyg online inom 30 dagar från köpdatumet. Slut användaren kan registrera sig för den förlängda garantin i det land där han/hon bor om landet finns angivet i registreringsformuläret online och där detta alternativ är giltigt. Dessutom måste slut användaren ge sitt medgivande till lagring av data vilket krävs vid registrering online samt acceptera villkoren. Bekräftelsekvittot för registreringen som skickas ut via e-post och originalfakturan som visar köpdatumet kommer att gälla som bevis för den förlängda garantin.
- Garantin täcker alla produktdefekter under garantiperioden som beror på buster i utförande eller material vid köpdatumet. Garantin är begränsad gällande reparation och/eller utbyte och inkluderar inte några skyldigheter inklusive men inte begränsat till oförutsedda skador eller följdskador. Garantin är inte giltig om produkten har missbrukats, använts i strid med bruksanvisningen eller inte anslutits på rätt sätt. Denna garanti täcker inte:
 - eventuella skador på produkten som uppstått till följd av felaktigt underhåll
 - produkter som har ändrats eller modifierats
 - produkter där ursprungliga identifieringsmärken (varumärke, serienummer) har målats över, ändrats eller tagits bort
 - eventuella skador som uppstått till följd av att bruksanvisningen inte efterföljs
 - alla icke CE-produkter
 - eventuella produkter som har försökts repareras av en icke-kvalificerad yrkesman eller utan föregående medgivande från Techtron Industries.
 - eventuella produkter som anslutits till felaktig strömförsörjning (ampere, volt, frekvens)
 - eventuella produkter som använts med olämplig bränsleblandning (bränsle, olja, oljeprocent)
 - eventuella skador som uppstått till följd av yttre påverkan (kemisk, fysisk, stötar) eller främmande ämnen
 - normalt slitage av reservdelar
 - olämplig användning, överbelastning av verktyget
 - användningen av icke-godkända tillbehör eller delar
 - Eventuella periodiska justeringar av eller vid underhållsrengöring av förgasare
 - Komponenter (delar och tillbehör) är föremål för naturligt slitage, inklusive men inte begränsat till tryckknappar, drivremmar, koppling, blad till kantrimrar eller gräsklippare, sele, gasreglageväjare, kolborstar, strömladd, spetsar, filterbrickor, kopplingssprint, blåsfåkt, blås- och sugrör, sugpåse och remmar, styrskenor, sågkedjor, slangar, anslutningsdonrördel, spraymunstycken, hjul, spraystavar, innerrullar, ytterspoler, skärtråd, tändstift, luftfilter, gasfilter, sönderdelningsblad osv.
- Vid service måste produkten skickas eller uppvisas för en RYOBI- auktoriserad servicestation som står angiven för varje land i följande adresslista över servicestationer. I vissa länder tar din lokala RYOBI- återförsäljare på sig ansvaret att skicka produkten till RYOBI- serviceorganisationen. När en produkt skickas till en RYOBI- servicestation, ska produkten paketeras säkert utan något farligt innehåll såsom bensin, markeras med avsändarens adress samt en kort beskrivning av felet.
- En reparation/ett utbyte under denna garanti är kostnadsfri. Det utgör inte en förlängning eller förnyelse av garantiperioden. Utbyta delar eller verktyg blir vår egendom. I vissa länder måste leveranskostnader eller porto betalas av avsändaren. Dina lagstadgade rättigheter som härrör från köpet av verktyget förblir opåverkade
- Denna garanti är giltig i Europeiska gemenskapen: Schweiz, Island, Norge, Liechtenstein, Turkiet och Ryssland. Utanför dessa länder, kontakta din auktoriserade RYOBI-återförsäljare för att avgöra om en annan garanti gäller.

AUKTORISERAT SERVICECENTER

Du hittar närmaste auktoriserade servicecenter genom att gå till <http://uk.ryobitools.eu/header/service-and-support/service-agents>.

FI RYOBI®-TAKUUN SOVELTAMISEHDOT

Tällä tuotteella on oston luomien lakisäasteiden oikeuksien ohella alla mainitun mukainen takuu.

- Takuun kesto on kuluttajille 24 kuukautta ja takuuaika alkaa tuotteen ostohetkestä. Tämän päivämäärän tulee lukea laskussa tai muussa ostotositteessa. Tuote on suunniteltu ja tarkoitettu vain kuluttajien ja yksityiseen käyttöön. Takuu ei sisällä ammatti- eikä kaupallista käyttöä.
- Joidenkin puutarhatyökalujen (AC/DC) takuun kesto on mahdollista laajentaa yllä mainittua kestoja pidemmäksi verkkosivuston www.ryobitools.eu rekisteröinnin kautta. Työkalujen kelpoisuus takuujakson laajennukseen näkyy selkeästi myymälössään jätäi pakkauksissa ja/tai tämä tieto sisältyy tuotedokumentaatioon. Loppukäyttäjän täytyy rekisteröidä vasta hankitut työkalut internetissä 30 päivän kuluessa ostopäivämäärästä. Loppukäyttäjän voi rekisteröidä laajennettun takuun kotimaassaan, jos se on luetteluna online-rekisteröintilomakkeessa, jossa mainitaan, missä tämä vaihtoehto on voimassa. Loppukäyttäjien täytyy lisäksi hyväksyä tietojen tallennus, jotka heidän täytyy antaa online-tilassa sekä ehdot. Rekisteröintiin vahvistuskuitti, joka lähetetään sähköpostitse, ja alkuperäinen ostopäivämäärän ilmaiseva lasku toimivat laajennettun takuun tositteina.
- Takuu kattaa kaikki tuotteeseen takuuaikana tulevat vikat, joiden aiheuttajina ovat tuotteen ostopäivänä olleet valmistus- tai materiaaliavikat. Takuu on rajoitettu korjaukseen ja/tai vaihtoon eikä se sisällä mitään muita velvoitteita mukaan lukien satunnais- ja seurannaisvahinkoja, mutta rajoittumatta niihin. Takuu ei päde, jos tuotetta on käyretty väärin, käyttöohjeen vastaisesti tai jos se on liitetty virheellisesti. Tämä takuu ei kata:
 - virheellisestä huollosta johtuvia vaurioita
 - muunnettua tai muutettua tuotetta
 - tuotetta, jonka alkuperäiset tunnistemerkinnät (tavaramerkki, sarjanumero) on turmeltu, muutettu tai poistettu
 - tämän käyttöoppaan laiminlyönnistä johtuvia vaurioita
 - ei-CE-tuotetta
 - tuotetta, jota on yrittänyt korjata epäpätevä ammattilainen tai joka on korjattu ilman Techtron Industriesin ennakkolupaa.
 - tuotetta, joka on liitetty virheelliseen teholähteeseen (ampeirit, jännite, taajuus)
 - tuotetta, jossa on käyretty väärää polttoaineseosta (polttoaine, öljy, öljyprosentti)
 - ulkoisten vaikutusten (kemiallinen, fyysinen, iskut) tai vieraiden aineiden aiheuttamaa vauriota
 - normaleja kuluvia varaosia
 - virheellistä käyttöä, työkalun ylikuormitusta
 - ei-hyväksytyjen tarvikkeiden tai osien käyttöä
 - Kaasutinten säännöllistä säätöä tai ylläpitävää puhdistusta
 - Luonnollisesti kuluvia komponentteja (osia tai tarvikkeita), joihin sisältyvät puskunupit, käyttöohinat, kytkin, pensasleikkurien tai ruohonleikkurien terät, valjaat, kaasuvaijeri, hiiliharjat, virtajohto, piikit, huopatiivisteet, sokkapatit, puhallinten tuuletin, puhallin- ja imuputket, imuriin säkit ja hihnat, terälevyt, sahanketjut, letkut, liittinosat, suihkusuuttimet, pyörät, ruiskutusputket, siisä- ja ulkokeilat, leikkusuimat, hehkutulpat, ilmansuodattimet, kaasunsuodattimet, silpputerät yms. näihin kuitenkin rajoittumatta.
- Tuote on lähetettävä huollettavaksi valtuutettuun RYOBI-huoltoon tai näytettävä siellä. Niiden osoitteet kussakin maassa löytyvät seuraavasta luettelosta. Joissakin maissa paikallinen RYOBI-jälleenmyyjä huolehtii tuotteen lähetyksestä RYOBI-huolto-organisaatioon. Kun tuote lähetetään RYOBI-huoltoon, se täytyy pakata hyvin ilman vaarallisia aineita, kuten polttoainetta, ja pakkaukseen täytyy merkitä lähettäjän nimi sekä vian lyhyt kuvaus.
- Takuun kattama korjaus/vaihto on maksuton. Se ei tarkoita takuujakson laajennusta tai alkamista alusta. Vaihdetut osat tai työkalut siirtyvät valmistajan omistukseen. Joissakin maissa lähettäjän täytyy maksaa lähetyskustannukset tai postikulut. Työkalun oston luomat lakisäasteet oikeudet pysyvät koskemattomina
- Tämä takuu on voimassa Euroopan yhteisössä, Sveitsissä, Islannissa, Norjassa, Liechtensteinissa, Turkissa ja Venäjällä. Ota näiden alueiden ulkopuolella yhteyttä omaan valtuutettuun RYOBI-jälleenmyyjään ja selvitä, onko jatin muuta takuuta.

VALTUUTETTU HUOLTO

Voit etsiä lähimmän valtuutetun huollon sivulta <http://fi.ryobitools.eu/header/service-and-support/service-agents>.

NO RYOBI® GARANTIBETINGELSER

I tillegg til eventuelle lovbestemte rettigheter som følger av kjøpet, er dette produktet dekket av en garanti som angitt nedenfor.

- Garantiperioden er 24 måneder for konsumenter og gjelder fra den datoen som produktet ble kjøpt. Denne datoen skal dokumenteres med en faktura eller annet kjøpsbevis. Produktet er designet og beregnet kun til konsument- og privat bruk. Så det gis ingen garanti ved profesjonell eller kommersiell bruk.
- For en del av utvalget av hageverktøy (AC/DC) er det mulighet til å utvide garantiperioden i den perioden som er beskrevet ovenfor ved bruk av registreringen på nettsidene www.ryobitools.eu. Kvalifiseringen av verktøyene for en utvidelse av garantiperioden er tydelig vist i butikker og/eller på pakningen / og finnes innen produktdokumentasjonen. Sluttbrukeren må registrere sine nylig anskaffede verktøy online innen 30 dager etter kjøpsdato. Sluttbrukeren kan registrere seg for den utvidede garantien i sitt land hvis det er opplistet på online registreringsskjemaet der dette alternativet er gyldig. Videre må sluttbrukere gi sitt samtykke til oppbevaring av dataene som kreves for å gå online, og de må godta vilkår og betingelser. Registreringsbekreftelsen, som sendes ut på e-post, og den originale fakturaen som viser kjøpsdato, vil tjene som bevis for den utvidede garantien.
- Garantien dekker alle defekter i produktet under garantiperioden på grunn av defekter i utførelse eller materiale på kjøpsdato. Garantien er begrenset til å reparere og/eller erstatte og inkluderer ikke noen andre forpliktelser, inkludert, men ikke begrenset til, tilfældige eller følgesmessige skader. Garantien er ikke gyldig hvis produktet har blitt misbrukt, brukt på annen måte enn det som beskrives i bruksanvisningen eller er koblet til på feil måte. Denne garantien gjelder ikke for:
 - enhver skade på produktet som er resultat av utilstrekkelig vedlikehold
 - ethvert produkt som har blitt endret eller modifisert
 - ethvert produkt der de originale identifiseringsmerkene (varemerke, serienummer) har blitt uleselig, er endret eller fjernet
 - enhver skade som forårsakes av ikke-overholdelse av instruksjonshåndboken
 - ethvert ikke-CE-produkt
 - ethvert produkt som har blitt forsøkt reparert eller av en ikke-kvalifisert fagperson eller uten tidligere autorisasjon fra Technonic Industries.
 - ethvert produkt tilkoblet feil strømforsyning (ampere, spenning, frekvens)
 - ethvert produkt som brukes med feil drivstoffblanding (drivstoff, olje, prosentandel olje)
 - enhver skade som er forårsaket av eksterne påvirkninger (kjemiske, fysiske, støt) eller fremmede stoffer
 - normal slitasje og slitereservedeler
 - feil bruk, overbelastning av verktøyet
 - bruk av ikke-godkjent tilbehør eller deler
 - Eventuelle periodiske justeringer av eller vedlikeholdrensing/justering av forbrennere
 - Komponenter (deler og tilbehør) som er underlagt naturlig slitasje, inkludert, men ikke begrenset til bulkknøtter, drivreimer, clutch, blader på hekktrimmere eller gressklippere, seler, kabelspjeld, karbonborster, strømledning, kniver, felpakninger, heispinner, blåsefilter, blåse- og vakuumslang, vakuumpose og reimer, førerstenger, sagkjeder, strømper, koblingsmonteringer, spraydyser, hjul, spraystenger, indre spoler, ytre spoler, kuttelinjer, tennplugg, luftfilter, gassfilter, mulchingblader osv.
- For service må produktet sendes eller fremlegges for en RYOBI- autorisert servicestasjon opplistet for hvert land i den følgende listen over servicestasjonsadresser. I noen land sender den lokale RYOBI- forhandleren produktet til RYOBI serviceorganisasjonen. Ved å sende et produkt til en RYOBI servicestasjon skal produktet være sikkert pakket uten noe farlig innhold, slik som bensin, merket med senderens adresse og fulgt av en kort beskrivelse av feilen.
- En reparasjon/erstatning under denne garantien er gratis. Den utgjør ingen forlengelse eller en ny start av garantiperioden. Utvekslede deler eller verktøy blir vår eiendom. I noen land vil leveringskostnader eller fraktering måtte betales av senderen. Dine lovbestemte rettigheter som oppstår fra kjøp av verktøyet forblir uberørt.
- Denne garantien er gyldig i EU, Sveits, Island, Norge, Liechtenstein, Tyrkia og Russland. Utenfor disse områdene ta kontakt med din autoriserte RYOBI-forhandler om en annen garanti gjelder.

AUTORISERT SERVICESENTER

For å finne et autorisert servicesenter i nærheten, gå til <http://no.ryobitools.eu/header/service-and-support/service-agents>.

RU УСЛОВИЯ ПРИМЕНЕНИЯ ГАРАНТИИ НА ПРОДУКЦИЮ RYOBI®

Помимо законных прав, возникающих при покупке, данное изделие покрывается гарантией в соответствии с приведенными ниже пунктами.

- Гарантийный период для покупателя составляет 24 месяца с даты покупки изделия. Дата покупки должна быть подтверждена счетом или другим свидетельством покупки. Данное изделие предназначено только для частного использования покупателем. Поэтому гарантия не распространяется на использование в профессиональных или коммерческих целях.
- Предусмотрена возможность продления для части изделий линейки садовых инструментов (AC/DC) гарантийного периода с помощью регистрации на сайте www.ryobitools.eu. Право инструмента на продление гарантийного периода четко указано в магазинах и / или на упаковке / и содержится в сопутствующей инструменту документации. Конечный пользователь должен зарегистрировать свой приобретенный инструмент в течение 30 дней с даты покупки. Конечный пользователь может зарегистрировать свой инструмент на продление гарантии в стране своего проживания, если она указана в форме онлайн-регистрации. Кроме того, конечный пользователь должен дать свое согласие на хранение данных, которые необходимо ввести в онлайн-форму и принять правила и условия. Подтверждение регистрации, которое вы получите по электронной почте и оригинальный чек, в котором указана дата покупки, будут служить доказательством продленной гарантии.
- Гарантия покрывает в течение гарантийного периода все дефекты качества или материала изделия на дату покупки. Гарантия ограничена ремонтом и / или заменой и не включает никакие другие обязательства, включая, но не ограничиваясь, случайными или косвенными убытками. Гарантия становится недействительной, если изделие использовалось не по назначению, вопреки инструкции, данным в Руководстве пользователя или было неправильно подключено. Настоящая гарантия не распространяется на:
 - любые повреждения изделия в результате неправильного технического обслуживания
 - любые изделия, подвергшиеся изменениям и модификации
 - любые изделия, оригинальные идентификационные отметки которого (торговая марка, серийный номер) были повреждены, изменены или удалены
 - любые повреждения, вызванные несоблюдением инструкций Руководства пользователя
 - любые изделия, не относящиеся к CE
 - любые изделия, подвергшиеся попыткам ремонта неквалифицированным работником или без предварительного утверждения компанией Technonic Industries.
 - любые изделия, подключенные к неправильному источнику питания (сила тока, напряжение, частота)
 - любые изделия, в которых использовались несоответствующие топливные смеси (топливо, масло, процент масла)
 - любые повреждения, вызванные внешними воздействиями (химические, физические, удары) или посторонними веществами (нормальный износ и разрыв запасных деталей)
 - несоответствующее использование, перегрузка инструмента
 - использование неутвержденных аксессуаров и запасных деталей
 - любые регулярные регулировки, технического обслуживания или чистка карбюраторов
 - компоненты (детали и аксессуары), подверженные естественному износу и разрыву, включая, но не ограничиваясь ручки головки, приводные ремни, сцепные муфты, лезвия триммеров и газонокосилок, плечевые ремни, кабельный дрессельный регулятор, угольные щетки, кабели питания, зубья, войлочные шайбы, пальцы щетки, вентиляторы воздуходувки, трубки воздуходувки и пылесоса, мешок для сбора мусора и ремни, пыльные шины, пыльные щели, шланги, соединительные детали, распылительные насадки, колеса, распылительные переходники, внутренние и внешние катушки, режущую леску, свечи зажигания, воздушные и топливные фильтры, мультирукоятные лезвия и др.
- Для проведения технического обслуживания изделие следует направлять в авторизованные сервисные центры RYOBI, указанные для каждой страны в приведенном ниже списке адресов станций сервисного обслуживания. В некоторых странах местные дилеры RYOBI отправляют изделия в сервисные организации RYOBI. При отправке изделия в сервисный центр RYOBI, изделие должно быть безопасно упаковано и не содержать никаких опасных веществ, таких как бензин, должен быть подписан адрес отправителя и сопровождаться кратким описанием неисправности.
- Ремонт / замена проводится в рамках настоящей гарантии бесплатно. Он не продлевает гарантию и не начинает новый гарантийный период. Замененные детали и инструменты становятся нашей собственностью. В некоторых странах отправитель должен оплачивать стоимость отправки. Ваши законные права, возникающие при покупке инструмента, остаются неизменными.
- Данная гарантия действительна в Европейском Сообществе, Швейцарии, Исландии, Норвегии, Лихтенштейне, Турции и России. Вне указанных территорий обращайтесь к своему авторизованному дилеру RYOBI, чтобы узнать, применяются ли условия каких-либо других гарантий.

УПОЛНОМОЧЕННЫЙ СЕРВИСНЫЙ ЦЕНТР

Чтобы найти ближайший уполномоченный сервисный центр, обратиться к веб-сайту <http://uk.ryobitools.eu/header/service-and-support/service-agents>.

PL WARUNKI GWARANCJI RYOBI®

Oprócz praw ustawowych wynikających z zakupu produkt jest objęty gwarancją, której warunki podano poniżej.

- Okres gwarancyjny wynosi 24 miesiące dla konsumentów i rozpoczyna się w dniu zakupu produktu. Datę zakupu należy udokumentować fakturą lub innym dowodem zakupu. Produkt został zaprojektowany i jest przeznaczony do użytku konsumenckiego i prywatnego. W związku z tym gwarancja nie obejmuje zastosowań profesjonalnych i komercyjnych.
- Istnieje możliwość wydłużenia okresu gwarancyjnego dla części asortymentu narzędzi ogrodniczych (AC/DC) poprzez zarejestrowanie produktu na stronie internetowej www.ryobitools.eu. Kwalifikowalność narzędzi do wydłużenia okresu gwarancyjnego jest wyraźnie określona w sklepach i/lub na opakowaniu oraz w dokumentacji produktu. Użytkownik końcowy musi zarejestrować nowo kupione narzędzia online w ciągu 30 dni od daty zakupu. Użytkownik końcowy może zarejestrować się w celu przedłużenia gwarancji w swoim kraju zamieszkania, jeżeli jest on wymieniony w formularzu rejestracji online, gdzie opcja ta obowiązuje. Ponadto użytkownicy końcowi muszą wyrazić zgodę na przechowywanie danych, wprowadzanych na stronie internetowej i zaakceptować regulamin. Dowodem wydłużenia gwarancji jest wysłane pocztą elektroniczną potwierdzenie rejestracji i oryginał faktury potwierdzającej datę zakupu.
- Gwarancja obejmuje wszystkie wady produktu ujawnione w okresie gwarancyjnym wynikające usterkę wykonania lub materiału obecnych w dniu zakupu. Gwarancja jest ograniczona do naprawy lub wymiany i nie obejmuje żadnych innych zobowiązań, w tym między innymi odpowiedzialności za szkody przypadkowe lub włorne. Gwarancja nie obowiązuje, jeżeli produkt był nieprawidłowo używany, używany niezgodnie z instrukcją lub nie był prawidłowo podłączony. Gwarancja nie obejmuje:
 - uszkodzenia produktu wynikającego z nieprawidłowej konserwacji,
 - produktu, który został zmieniony lub zmodyfikowany,
 - produktu, którego oryginalne oznaczenie (znak towarowy, numer seryjny) zostało zniszczone, zmienione lub usunięte,
 - jakiegokolwiek uszkodzeń wynikających z nieprzestrzegania instrukcji,
 - jakiegokolwiek produktu bez certyfikatu CE,
 - jakiegokolwiek produktu, który próbowano naprawiać z pomocą niewykwalifikowanej osoby lub bez uzyskania wcześniejszej zgody firmy Techtronic Industries,
 - jakiegokolwiek produktu podłączonego nie nieprawidłowego źródła zasilania (nieprawidłowe nateżenie prądu, napięcie, częstotliwość),
 - jakiegokolwiek produktu, który był używany z nieprawidłową mieszanką paliwową (paliwo, olej, procentowy udział oleju),
 - jakiegokolwiek uszkodzeń spowodowanych wpływem czynników zewnętrznych (chemicznych, fizycznych, drgan) lub substancji obcych,
 - normalnego zużycia części zamiennych,
 - nieprawidłowego użycia, przeciążenia narzędzia,
 - stosowania niezatwierdzonych akcesoriów lub części,
 - jakiegokolwiek okresowych regulacji lub czyszczenia gaźników w ramach konserwacji
 - elementów (części i akcesoriów) podlegających naturalnemu zużyciu, obejmujących, między innymi, kopułki do zwalniania żyłki, pasy napędowe, sprzęgło, ostrza przycinarek do żywopłotów lub kosiarek do trawy, uprząż, przepustnicę linkową, szczołki węglowe, przewód zasilania, zęby, podkładki filcowe, kołki podnośnika, wentylatory dmuchawy, rury nadmuchowe i ssawne, worek na śmieci i paski, prowadnice, łańcuchy piły, węże, mocowanie złącz, dysze natryskowe, kółka, przęty natryskowe, szpule wewnętrzne, szpule zewnętrzne, filtry gazu, ostrza do ściółkowania itp.
- W celu serwisowania produkt należy wysłać lub okazać w autoryzowanym punkcie serwisowym RYOBI znajdującym się na przedstawionym poniżej wykazie punktów serwisowych w poszczególnych krajach. W niektórych krajach lokalny dystrybutor produktów RYOBI podejmuje się wysyłki produktu do centrum serwisowego RYOBI. W przypadku wysyłki do punktu serwisowego RYOBI produkt — pozbawiony jakiegokolwiek niebezpiecznych substancji, na przykład benzyny — należy bezpiecznie zapakować i dołączyć adres nadawcy oraz krótki opis usterki.
- Naprawa/wymiana w ramach niniejszej gwarancji jest bezpłatna. Nie stanowi jednak o przedłużeniu lub rozpoczęciu od nowa biegu okresu gwarancyjnego. Wymienione części lub narzędzia stają się naszą własnością. W przypadku niektórych krajów nadawca będzie musiał uregulować koszty dostawy lub opłaty pocztowe. Prawa ustawowe wynikające z zakupu narzędzia pozostają niezmiennione.
- Niniejsza gwarancja obowiązuje w Unii Europejskiej, Szwajcarii, Islandii, Norwegii, Liechtensteinie, Turcji i Rosji. Poza tymi obszarami należy skontaktować się z autoryzowanym dostawcą produktów RYOBI i ustalić, czy obowiązuje inna gwarancja.

AUTORYZOWANY PUNKT SERWISOWY

Najbliższy autoryzowany punkt serwisowy można wyszukać w witrynie internetowej <http://uk.ryobitools.eu/header/service-and-support/service-agents>.

CS ZÁRUČNÍ PODMÍNKY RYOBI®

Kromě zákonných práv vyplývajících z koupě výrobku se na tento výrobek vztahuje také níže uvedené záruka.

- Záruční doba pro spotřebitele je 24 měsíců a začíná datem nákupu výrobku. Datum musí být zaznamenáno na fakturě nebo jiném dokladu o koupi. Tento výrobek je navržen a určen pouze pro soukromé účely spotřebitelů. Záruka se tedy nevztahuje na profesionální nebo komerční využití výrobku.
- U některých zahradních nástrojů (AC/DC) je možné záruční dobu prodloužit. K tomu je nutná registrace na stránkách www.ryobitools.eu. Možnost prodloužené záruční doby výrobků je jasně uvedena v probejácích, popř. na obalech nebo v dokumentech o výrobku. Koncový uživatel musí svůj nový nástroj zaregistrovat online do 30 dnů od data nákupu. Koncový uživatel se může k prodloužené záruční době zaregistrovat v zemi trvalého pobytu, pokud je tato uvedena na internetovém registračním formuláři u výrobku, kde je tato možnost dostupná. Koncový uživatel musí dále souhlasit s uložením osobních údajů, která musí zadat na internetu, a přijmout obchodní podmínky. E-mail s potvrzením registrace a původní faktura s datem koupě poslouží jako důkaz o prodloužené záruce.
- Záruka se vztahuje na veškeré vady na výrobku v rámci záruční doby způsobené výrobními vadami nebo vadami materiálu v době koupě. Záruka je omezena na opravu, popřípadě výměnu a nezáhměně žádné další povinnosti, včetně mimo jiné vedlejších či následných odškodnění. Záruka neplatí při použití výrobku k nevhodným účelům, v rozporu s uživatelskou příručkou nebo při nesprávném zapojení. Záruka se nevztahuje na:
 - veškeré škody na výrobku způsobené nesprávnou údržbou
 - veškeré produkty, které byly poškozeny nebo upraveny
 - veškeré produkty, kde byly původní identifikační prvky (obchodní značka, sériové číslo) poničeny, pozměněny nebo odstraněny
 - veškeré škody způsobené nedodrženými pokyny uživatelské příručky
 - veškeré produkty bez CE certifikace
 - veškeré produkty, které se pokusil opravit nekvalifikovaný odborník nebo opravy bez předchozího svolení společnosti Techtronic Industries,
 - veškeré produkty zapojené do nesprávného elektrického zdroje (proud, napětí, frekvence)
 - veškeré produkty používané s nevhodnou palivovou směsí (palivo, olej, procento oleje)
 - veškeré škody způsobené externími vlivy (chemickými, fyzickými, nárazy) nebo cizími látkami
 - běžné opotřebování dílů
 - nevhodné použití, přetěžování nástroje
 - použití neschválených příslušenství nebo dílů
 - veškerá pravidelná seřízení nebo čištění v rámci údržby karburátorů
 - komponenty (díly a příslušenství) podléhající opotřebení, včetně mimo jiné nárazových koleček, posuvných pásů, spojek, nožů plotových nůžek a sekaček na trávu, popruhu, plynového lanka, karbonových kartáčů, napájecího kabelu, zubů, plstěných podložek, závěsných kolků, větráků fukaru, trubíc fukaru a vysavače, vaku a popruhu vysavače, vodičů lišt, pilových řetězů, hadic, konektorů, trysek, kol, stříkaček tyčí, vnitřních cívek, vnějších koločků, řezných strun, zapalovacích svíček, vzduchových filtrů, plynových filtrů, mulčovacích nožů atd.
- K provedení servisu musí být výrobek zaslán nebo předán do autorizovaného servisního centra společnosti RYOBI, jejichž adresy jsou uvedeny podle země v seznamu servisních center. V některých zemích za vás výrobek pošle servisní organizaci RYOBI sám prodejce výrobků této značky. Při zasílání výrobku do servisního centra RYOBI je potřeba výrobek bezpečně zabalit bez nebezpečného obsahu jako benzin, opatřit adresou odesílatele a přiložit krátký popis závady.
- Oprava, popř. výměna v rámci této záruky je zdarma. Neznamená to prodloužení nebo začátek nové záruční lhůty. Vyměněné díly nebo nástroje přejdou do našeho vlastnictví. V některých zemích platí postovné odesílatel. Vaše zákonná práva vyplývající z koupě tohoto nástroje zůstávají nedotčena.
- Tato záruka platí v Evropském Společenství, Švýcarsku, Norsku, Lichtenštejnsku, Turecku, Rusku a na Islandu. Mimo tato území kontaktujte autorizovaného prodejce značky RYOBI, který zjistí, zda se na výrobek vztahuje jiná záruka.

POVĚŘENÉ SERVISNÍ STŘEDISKO

Pro nalezení nejbližšího pověřeného servisního střediska navštivte <http://uk.ryobitools.eu/header/service-and-support/service-agents>.

HU A RYOBI® GARANCIA ALKALMAZÁSÁNAK FELTÉTELEI

A vásárlásból addó törvényben rögzített jogok mellett a termékre az alábbi garancia vonatkozik.

1. A fogyasztói garancia tartama 24 hónap, mely a termék vásárlásának napjával kezdődik. Ezt a dátumot számlával vagy a vásárlást igazoló egyéb dokumentummal kell bizonyítani. A termék rendelkezése csak fogyasztói és magáncélt használhat. Ezért professzionális vagy kereskedelmi használat esetén a garancia nem érvényes.
2. A kerti szerszámok (egyenáramú/váltóáramú) egy részénél a garancia időtartama a www.ryobitools.eu weblapon regisztrálva meghosszabbítható. Az áruházakban, a csomagolásban, illetve a termék dokumentációjában egyértelműen jelezve van, hogy az adott termék garanciája meghosszabbítható-e. A végfelhasználónak a vásárlás dátumától számított 30 napon belül regisztrálnia kell az újonnan vásárolt szerszámot. A végfelhasználó akkor regisztrálhat a kiterjesztett garanciára, ha az ország, ahol lakik, fel van sorolva az online regisztrációs űrlapon azon országok között, ahol választható ez az opció. Ezenkívül a végfelhasználónak bele kell egyeznie az online regisztrálás során szükséges adatok tárolásába, és el kell fogadnia a felhasználási feltételeket. A kiterjesztett garanciát a regisztráció beérkezésétől e-mailben küldött visszaigazolási és a vásárlás dátumát tartalmazó eredeti számla igazolja.
3. A garancia a termék vásárlásakor fennálló, a gyártás során keletkezett hibákra és anyaghibákra érvényes a garanciális időtartamon belül. A garancia csak a javításra/cserére korlátozódik, és nem terjed ki semmilyen egyéb kötelezettségre, nem kizárólagosan ideértve a véletlen vagy szándékos rongálást. A garancia nem érvényes, ha a terméket nem megfelelően, a használati utasításban foglaltakkal ellentétben, illetve nem megfelelően csatlakoztatva használták. A garancia nem vonatkozik:
 - a terméket a nem megfelelő karbantartás következtében ért károsodásra
 - megváltoztatott vagy átalakított termékre
 - olyan termékre, melyben az eredeti azonosítókat (védjegy, sorozatszám) megrongálták, megváltoztatták vagy eltávolították
 - a használati utasítás be nem tartásából eredő kárra
 - CE jelöléssel nem rendelkező termékekre
 - olyan termékre, melyet nem képzett, illetve a Techtronic Industries által nem feljogosított szerelő javított
 - nem megfelelő (áramerősségű, feszültségű, frekvenciájú) áramforrásra csatlakoztatott termékre
 - nem megfelelő üzemanyag-keverékkel (üzemanyag, olaj, olaj aránya) használt termékre
 - külső (vegyi, fizikai, ütés) hatásokból vagy idegen anyagokból eredő károkra
 - a cserélhető alkatrészek természetes kopására és elhasználódására a szerszám helytelen használatára, túlterhelésére
 - nem jóváhagyott tartozékok és alkatrészek használatára
 - A karburátorok rendszeres beállítása, karbantartása, tisztítása
 - A természetes kopásnak és elhasználódásnak kitett alkatrészek és kiegészítők, például (de nem kizárólag) damildobok, ékszíjak, foglalatok, sövényvágók és fűnyírók kése, heveder, gázbowden, szénkéfék, tápkábel, kultivátorfogak, filcátlétek, akasztószőkek, fűvókészülékek ventilátora, fűvő- és szívócsovek, szívózsák és pántok, terelőrudak, fűrészláncok, tömlők, csatlakozószerelvények, permetezőfejek, kerekek, permetezőszárak, belső dobok, külső csévék, vágódamiliok, gyújtógyertyák, légszűrők, gázsűrők, mulcsözőkék stb.
4. A terméket javításra el kell vinni egy meghatalmazott RYOBI szervizbe; ezeket az egyes országokhoz a következő listában találja. Egyes országokban a helyi RYOBI kereskedő vállalja a termék elszállítását a RYOBI szervizbe. A terméket veszélyes tartalom, például benzín nélkül csomagolva, a feladó címét feltüntetve, a hiba rövid leírásával együtt küldje el a RYOBI szervizbe.
5. A jelen garancia hatálya alatt végzett javítás, illetve csere ingyenes. Nem jelenti a garanciális időtartam újraindulását. A kicserélt alkatrészek és szerszámok a mi tulajdonunkba kerülnek. Egyes országokban a szállítási vagy postázási költséget a feladó viseli. A vevőnek a szerszám megvásárlásából addó törvényes jogai nem változnak.
6. Jelen garancia az Európai Közösségben, Svájcban, Izlandon, Norvégiában, Liechtensteinben, Törökországban és Oroszországban érvényes. E területen kívül kérdezze meg a RYOBI forgalmazót, hogy milyen garancia van érvényben.

HIVATALOS SZERVIZKÖZPONT

A legközelebbi hivatalos szervizközpont megtalálásához látogasson el a <http://uk.ryobitools.eu/header/service-and-support/service-agents>.

RO CONDIȚII DE APLICARE A GARANȚIEI PENTRU PRODUSELE RYOBI®

În plus față de condițiile statutare rezultate din achiziționarea acestui produs, acesta este acoperit de garanția stipulată mai jos.

1. Perioada de garanție este de 24 de luni pentru consumatori și începe de la data achiziționării produsului. Data de începere a garanției trebuie demonstrată cu o factură și/sau altă dovadă a cumpărării produsului. Produsul este destinat și conceput doar pentru utilizare în scopuri personale. Din acest motiv, nu se oferă garanție pentru utilizarea sa în scop profesional sau comercial.
2. Există posibilitatea de extindere a perioadei de garanție pentru gama de unelte electrice pentru grădina (de CA/CC) peste perioada stipulată mai sus prin înscrierea produsului pe website-ul www.ryobitools.eu. Eligibilitatea pentru perioada de extindere a garanției este afișată în mod clar în magazinele de vânzare și/sau pe ambalaj sau este inclusă în documentația livrată împreună cu produsul. Utilizatorul final este obligat să-și înregistreze produsul online în termen de maxim 30 de zile de la achiziția acestuia. Utilizatorul final poate înregistra produsul pentru garanția extinsă oferită în țara sa de rezidență dacă aceasta este listată în formularul de înregistrare online și dacă această opțiune este validă. În plus, utilizatorul final trebuie să-și dea acordul pentru stocarea datelor personale solicitate la înregistrarea online și trebuie să accepte termenii și condițiile. Mesajul de confirmare a înregistrării, trimis prin e-mail și factura originală cu data achiziției vor dovedi perioada de garanție extinsă.
3. Garanția acoperă toate defecțiunile produsului survenite în perioada de garanție datorate defectelor de execuție sau materialelor folosite, începând cu data achiziției acestuia. Garanția este limitată la reparare și/sau înlocuire și nu include alte obligații, inclusiv, dar fără a se limita la daune accidentale sau rezultate pe cale de consecință. Garanția își pierde valabilitatea dacă produsul este utilizat necorespunzător, utilizat neconform cu instrucțiunile de utilizare din manualul cu instrucțiuni sau conectat incorect. Garanția nu se aplică în cazul:
 - oricărei defecțiuni survenite în urma întretinerii necorespunzătoare a produsului
 - oricărui produs alterat sau modificat
 - oricărui produs la care inscripțiile cu datele de identificare (marca comercială, numărul de serie) au fost șterse, modificate sau îndepărtate
 - oricărei defecțiuni datorate neconformării cu instrucțiunile din manualul de utilizare
 - oricărui produs necertificat CE
 - oricărui produs asupra căruia au fost efectuate tentative de reparare de către personal necalificat sau fără autorizaj prealabil din partea Techtronic Industries.
 - oricărui produs conectat la o sursă de alimentare necorespunzătoare (curent, tensiune, frecvență)
 - oricărui produs utilizat cu un amestec de carburant necorespunzător (combustibil, ulei, proporții de adaos ulei)
 - oricăror defecțiuni datorate unor influențe externe (chimice, fizice, socuri) sau substanțe străine
 - uzurii și fisurării normale a pieselor de rezervă
 - utilizării neadecvate, suprasolicitării uneltei
 - utilizării de piese și accesorii neaprobate
- Orice operații de curățare sau reglare periodică a carburatoarelor
- Componentele (piese și accesorii) supuse uzurii și defecțiilor normale, care includ, fără a se limita la manșona de protecție, curele de transmisie, ambreiaj, lamele de la tăietoarele de arbore sau gazon, furturnuri, accesorii de conectare, bare de pulverizare, volante, baghete de pulverizare, moșoare interne, carcasa exterioră pentru moșoare, fire tăietoare, bujii, filtre de aer, filtre de gaz, lame de tocător, etc.
4. Pentru efectuarea reparațiilor, produsul trebuie trimis sau adus la un centru de reparații autorizat RYOBI din lista următoare de centre de reparații prezentate pentru fiecare țară. În anumite țări, reprezentatul local RYOBI va trimite produsul spre reparare la sediul centrului de reparații RYOBI. Atunci când trimiteți produsul spre reparare la un centru de reparații RYOBI, acesta trebuie ambalat în siguranță, fără conținut periculos (cum ar fi benzina), marcat cu adresa expeditorului și însoțit de o scurtă descriere a defectului.
5. Repararea/înlocuirea în perioada de garanție este gratuită. Aceasta nu este însoțită de o prelungire sau o reiniițire a perioadei de garanție. Piese sau unelte schimbate devin proprietatea dvs. În anumite țări, taxele de expediție sau poștale vor fi suportate de expeditor. Drepturile dvs. statutare rezultate din achiziția produsului rămân neschimbate
6. Această garanție este valabilă în Comunitatea Europeană, Elveția, Islanda, Norvegia, Liechtenstein, Turcia și Rusia. În afara acestor zone, vă rugăm să contactați reprezentantul dvs. local RYOBI pentru a determina dacă se aplică alt tip de garanție.

CENTRU DE SERVICE AUTORIZAT

Pentru a găsi un centru de service autorizat lângă dvs., vizitați <http://uk.ryobitools.eu/header/service-and-support/service-agents>.

ET RYOBI® GARANTIIINGIMUSED

Lisaks toote ostust tulenevatele seadusjärgsetele õigustele, kehtib tootele ka alltoodud garantiiga.

- Tarbijatele on garantiiaeg 24 kuud ja algab sellel kuupäeval, mil toode osteti. Selle kuupäeva tähtsuseks on vaja arvet või mõnda teist tõendit ostu sooritamise kohta. Toode on mõeldud eratarbijatele ainult isiklikeks kasutamiseks. Seega ei kehti garanti ostu kasutamisel kutsetegevuses või kaubanduslikel eesmärkidel.
- Teatud osale (vahelduvvoolu/alalisvoolu) aiatööriistadele on võimalik pikendada eespool toodud garantiiaega, kasutades toote registreerimist veebilehel www.ryobitools.eu. Teave tööriista võimaliku pikendatud garantiiaja kohta on selgelt esile toodud poodides ja/või pakendil / ning see sisaldub toote dokumentatsioonis. Lõpptarbijaja peab registreerima oma uued tööriistad interneti teel 30 päeva jooksul pärast ostupäeva. Lõppkasutaja võib registreerida pikendatud garantiiaja saamise oma elukohariigis, kui veebis olevas registreerimisvormis on see valik lubatud. Lisaks peavad kasutajad andma oma nõusoleku veebis nõutud sisestatavate andmete säilitamiseks ning nad peavad nõustuma tingimustega. E-posti teel saadetak registreerimise kinnitus ja arve originaal, kus on näha ostu sooritamise kuupäev, on pikendatud garantiiaja tähtsuseks.
- Garantii katab kõik defektid toote garantiiaja jooksul, kui ostu kuupäeval ilmuvad talitus- või materjalivead. Garantii piirub toote remondi ja/või väljavahetamisega ning ei sisalda muid kohustusi, muu hulgas ettenägematuid või kaudeise kahjusid. Garantii ei kehti, kui toodet ei ole kasutatud sihtotstarbelselt või kooskõlas kasutusjuhendiga või see on valesti ühendatud. Garantii ei kehti järgmistel põhjustel:
 - toode on kahjustatud vale hoolduse tõttu
 - toodet on muudetud
 - toote algapärased identifitseerimismärgised (kaubamärk, seerianumber) on rikutud, muudetud või eemaldatud
 - kahju on tekkinud kasutusjuhendi mittejärgimisest
 - tootel puudub CE-märgis
 - toodet on püüdnud remontida vastavalt kvalifikatsiooni mitte omav isik või ilma firma Techtronic Industries eelneva loata.
 - toode on ühendatud valesse toiteallikasse (voolutugevus, pinge, sagedus)
 - tootega kasutati sobimatut kütusesegu (kütus, õli, õli protsent)
 - välismõjude (keemilised, füüsilised, elektrilöögid) või võõrkehade tekitatud kahju
 - tavapärase kulumine ja katkised varuosad
 - ebaõige kasutamine, tööriista ülekoormamine
 - heaikkimata tarvikute või osade kasutamine
 - Karbuaritorite korralised reguleerimistööd või hooldus- ja puhastustööd
 - Komponendid (osad ja tarvikud), mida iseloomustab kulumine ja vananemine, muu hulgas puutenupud, kilirihmad, sidur, heklõikurite või muruniidukite lõiketerad, rakmed, gaasross, süsinikharjad, tõejuhe, freestiterad, viildist seibid, tihvtid, õhuventilaatorid, puhuri- ja imuritruud, kogumiskott ja rihmad, juhikud, saeketid, voolikud, liitmikud, pihusti otsakud, rattad, pritsi varred, sisemised poolid, välismised poolid, jõhvõid, sütekeetõulad, õhufiltrid, gaasifiltrid, multšimisterad jne.
- Hoolduseks peab toode saatma või viima RYOBI volitatud teenindusse, mille aadressi leiata järgnevast teeninduspunkti nimekirjast vastava riigi alt. Mõnedes riikides võtab kohalik RYOBI edasimüüja enda kanda kohustuse saata toode RYOBI teenindusorganisatsiooni. Toote saatmisel RYOBI teenindusse peab toode olema ohutult pakitud ja ei tohi sisaldada ohtlikke aineid (nt bensiini), kirjas peab olema saatja aadress ja lisatud vea lühikirjeldus.
- Garantii alusel tehtavad remonditööd / asendamised on tasuta. See ei pikenda garantii kehtivusaega ega tähista uue garantiiaja algust. Väljavahetatud osad või tööriistad kuuluvad meile. Mõnedes riikides maksab kättejättemetmis- ja postikulud saatja. Teile jäävad kehtima tööriista ostust tulenevad seadusjärgsed õigused.
- See garantii kehtib Euroopa Ühenduse territooriumil, Šveitsis, Islandil, Norras, Liechtensteinis, Türgis ja Venemaal. Väljaspool neid piirkondi võtke ühendust volitatud RYOBI edasimüüjaga, et teha kindlaks kas kehtib mõni teine garantii.

VOLITATUD HOOLDUSKESKUS

Oma volitatud hoolduskeskuse leiate veebisaidilt <http://uk.ryobitools.eu/header/service-and-support/service-agents>.

HR UVJETI PRIMJENE JAMSTVA TVRTKE RYOBI®

Osim svim zakonskim pravima koja proizlaze iz kupnje, ovaj je proizvod pokriven jamstvom kako je navedeno u nastavku.

- Jamstveno razdoblje za potrošače traje 24 mjeseca i počinje s datumom na koji je proizvod kupljen. Taj datum mora se dokumentirati računom ili drugim dokazom o kupnji. Proizvod je konstruiran i namijenjen samo za privatnu upotrebu korisnika. Stoga se jamstvo ne daje u slučaju profesionalne ili komercijalne uporabe.
- Postoji mogućnost da se za dio asortimana vrtnih alata pokretanih izmjeničnom strujom (AC/DC) proizvodi gore navedeno jamstveno razdoblje putem registriranja na mrežnom mjestu www.ryobitools.eu. Uvjeti koje je potrebno zadovoljiti kako bi se proizvelo jamstveno razdoblje jasno su istaknuti u prodaivaonicama i / ili na pakiranju / i nalaze se unutar dokumentacije proizvoda. Krajnji korisnik mora registrirati svoje novo kupljene alate na mreži u roku od 30 dana od datuma kupnje. Krajnji korisnik može se registrirati za proizvedeno jamstvo u svojoj zemlji boravišta ako se nalazi na popisu u mrežnom obrascu za registraciju gdje je ta opcija važeća. Nadalje, krajnji korisnik mora dati svoj pristanak na pohranu podataka koji su potrebni za mrežni ulazak i moraju prihvatiti odredbe i uvjete. Potvrda o prijemu registracije, koja se šalje putem e-pošte, kao i originalni račun s vidljivim datumom kupnje poslužiti će kao dokaz proizvedenog jamstva.
- Jamstvo pokriva sve nedostatke proizvoda tijekom jamstvenog razdoblja koji su nastali zbog neispravnosti prilikom izrade ili materijala s datumom kupnje. Jamstvo je ograničeno na popravak i/ili zamjenu i ne obuhvaća nikakve druge obveze, uključujući, ali ne ograničavajući se na slučajne ili posljedične štete. Jamstvo ne vrijedi ako je proizvod bio zlorabljivan, korišten u suprotnosti s priručnikom s uputama ili ako je pogrešno spojeno. Ovo jamstvo ne primjenjuje se na:
 - svako oštećenje proizvoda koje je rezultat nepravilnog održavanja
 - svaki proizvod koji je izmijenjen ili modificiran
 - svaki proizvod gdje su originalne identifikacijske oznake (zaštitni znak, serijski broj) izbrisane, zamijenjene ili uklonjene
 - svako oštećenje uzrokovano neprirodno korištenjem priručnika
 - svaki proizvod koji nije CE
 - svaki proizvod koji je pokušao popraviti nekvalificirani profesionalac ili bez prethodnog odobrenja od strane Techtronic Industries
 - svaki proizvod priključen na nepravilno napajanje energijom (amperi, napon, frekvencija)
 - svaki proizvod korišten s neodgovarajućom mješavinom (gorivo, ulje, postotak ulja)
 - svako oštećenje uzrokovano vanjskim utjecajima (kemijsko, fiziko, udar) ili stranim stvarima
 - normalno trošenje i habanje rezervnih dijelova
 - nepravilno korištenje, preopterećenje alata
 - korištenje neodobrenog dodatnog pribora ili dijelova
 - raspinjača nakon 6 mjeseci, podešavanje rasplinjača nakon 6 mjeseci
 - komponente (dijelovi i dodatni pribor) koji su predmet prirodnog trošenja i habanja, uključujući no ne ograničavajući se na gumbce za otpuštanje, pogonske remene, spojku, oštrice trimera za grmlje ili kosilicu, kope, sajle gasa, ugljene četke, kabele za napajanje, noževe, podloške, ztkice za zglobnu vezu, ventilatore puhalica, cijevi za ispuhivanje i usisavanje, vakuumske vrećice i trake, vodilice, lance pile, crijeva, priključne elemente, mlaznice za raspršivanje, kotače, koplja za raspršivanje, unutarnje kolote, vanjske kaleme, flaksove, svjeće, filtre za zrak, filtre za plin, oštrice za ustinjavanje itd.
- Za potrebe servisiranja, proizvod se mora poslati ili odnijeti u ovlaštenu servisnu postaju tvrtke RYOBI navedenu na sljedećem popisu s adresama servisnih postaja u svakoj zemlji. U nekim zemljama, vaš lokalni RYOBI zastupnik obvezuje se da će poslati proizvod u servisnu organizaciju tvrtke RYOBI. Kada se proizvod šalje u neku servisnu postaju tvrtke RYOBI, proizvod se mora sigurno pakirati bez jednog od opasnih sadržaja kao što je benzin, na njemu mora pisati adresa pošiljatelja i mora biti popraćen kratkim opisom kvara.
- Popravak / zamjena pod ovim jamstvom su besplatni. Oni ne predstavljaju produženje ili novi početak jamstvenog razdoblja. Zamijenjeni dijelovi ili alati postaju naše vlasništvo. U nekim državama troškove isporuke ili poštarinu mora platiti pošiljatelj. Vaša zakonska prava koja proizlaze iz kupnje alata ostaju nepromijenjena.
- Ovo jamstvo vrijedi u Europskoj uniji, Švicarskoj, Islandu, Norveškoj, Lihtenštajnu, Turskoj i Rusiji. Izvan tih područja vas molimo da se obratite svojem ovlaštenom zastupniku tvrtke RYOBI kako biste utvrdili primjenjuje li se drugo jamstvo.

OVLAŠTENI SERVISNI CENTAR

Za pronalaženje ovlaštenog servisnog centra pored vas posjetite <http://uk.ryobitools.eu/header/service-and-support/service-agents>.

SL POGOJI ZA VELJAVNOST GARANCIJE RYOBI®

Poleg morebitnih zakonsko določenih pravic, ki izvirajo iz nakupa, za ta izdelek velja spodaj navedena garancija.

- Garancijsko obdobje je za potrošnike 24 mesecev in začne teči z dnem nakupa izdelka. Ta datum mora biti dokumentiran z računom ali drugim dokazilom o nakupu. Izdelek je zasnovan in namenjen izključno za potrošniško zasebno uporabo. V primeru strokovne oziroma komercialne uporabe izdelka garancija ne velja.
- Obstaja možnost podaljšanja garancije na del naše ponudbe vrtnih orodij (AC/DC) prek obdobja garancije, opisanega zgoraj, s pomočjo registracije na spletnem mestu www.ryobitools.eu. Ustreznost orodij za podaljšanje garancijskega obdobja je jasno prikazana v trgovinah in/ali na embalaži oziroma je navedena v dokumentaciji izdelka. Končni uporabnik mora registrirati svoje novo orodje na spletu v 30 dneh po datumu nakupa. Končni uporabnik lahko registrira podaljšano garancijo v svoji državi bivanja, če je na obrazcu spletne registracije navedeno, da ta možnost velja za njegovo državo. Poleg tega morajo končni uporabniki podati svoje soglasje za shranjevanje podatkov, ki so potrebni za spletni dostop in morajo sprejeti pogoje in določila uporabe spletnega mesta. Potrdilo o registraciji, ki ga pošljemo prek e-pošte, in originalni račun, ki prikazuje datum nakupa, služita kot dokazilo o podaljšani garanciji.
- Garancija krije vse okvare izdelka, do katerih pride v garancijskem obdobju zaradi napak v izdelavi ali materialu, ki so bile prisotne ob datumu nakupa. Garancija je omejena na popravilo in/ali zamenjavo in ne vključuje nobenih drugih obveznosti, med drugim vključno z naključno ali posledično škodo. Garancija ne velja, če je bil izdelek napako uporabljen, uporabljen v nasprotju z navodili iz priročnika za uporabo ali če ni bil pravilno povezan. Ta garancija ne velja za:
 - škodo na izdelku, ki je posledica neustreznega vzdrževanja
 - spremenjen ali prilagojen izdelek
 - izdelek, katerega originalna identifikacijska oznaka (blagovna znamka, serijska številka) je bil poškodovan, spremenjena ali odstranjena
 - škodo, ki je posledica neupoštevanja navodil iz priročnika za uporabo
 - izdelek, ki nima oznake CE
 - izdelek, ki ga je poskušal popraviti nekvalificiran strokovnjak ali ki je bil popravljen brez predhodne odobritve s strani družbe Techtronic Industries.
 - izdelek, ki je bil povezan na neustrezno napajanje (amperska moč, napetost, frekvenca)
 - izdelek, ki je bil uporabljen z neustrezno mešanico goriva (gorivo, olje, odstotek olja)
 - škodo, ki jo povzročijo zunanji vplivi (kemični, fizični, mehanski) ali tuje snovi
 - rezervne dele, ki so podvrženi običajni uporabi
 - neprimerno uporabo, preobremenitev orodja
 - uporabo neodobrenih dodatkov ali delov
 - Vsako redno prilagajanje ali vzdrževalno čiščenje uplinjačev
 - Komponente (sestavni in rezervni deli), ki so podvrženi običajni obrabi, med drugim vključno z gumbi odbijača, pogonskimi jermeni, sklopko, rezili obrezovalnikov za žive meje ali kosilnic za trato, nosilnimi pasovi, kablji, dušilnimi ventili, oglikovimi krtačami, napajalnimi kablji, zobci, tesnilni iz filca, veznimi zatiči, ventilatorji pihalnika, cevmi pihalnika in sesalnika, vrečko in pasovi sesalnika, vodilnimi palicami, verigami motorne žage, cevmi, priključki, razpršilnimi šobami, kolesi, razpršilnimi palicami, notranjimi kolesci, zunanji motki, rezalnimi vrvicami, vžigalnimi svečkami, zračnimi filtri, plinskimi filtri, rezili za mulčenje itd.
- Za servisiranje morate izdelek poslati ali prinesiti v pooblaščen servisni center družbe RYOBI, ki je naveden za vsako državo na naslednjem seznamu naslovov servisnih centrov. V nekaterih državah se vaš lokalni posrednik družbe RYOBI obveže, da bo poslal izdelek na servis družbe RYOBI. Ko pošiljate izdelek v servisni center družbe RYOBI, mora biti izdelek varno zapakiran in ne sme vsebovati nobenih nevarnih snovi, kot je npr. bencin, oprmljen pa mora biti z naslovom pošiljatelja in vsebovati kratek opis napake.
- Popravilo/zamenjava v skladu s to garancijo sta brezplačni storitvi. To pa ne predstavlja podaljšanja ali ponovnega začetka garancijskega obdobja. Zamenjani deli ali orodja postanejo naša last. V nekaterih državah stroške dostave ali poštno plačilo pošiljatelja. Vaše zakonsko določene pravice, ki izvirajo iz nakupa orodja, ostajajo nespremenjene.
- Ta garancija velja v Evropski skupnosti, Švici, Islandiji, na Norveškem, v Lichtenštajnu, v Turčiji in Rusiji. Izven teh območij se obrnite na svojega pooblaščenega posrednika izdelkov RYOBI, dealer ki vam bo povedal, ali velja kakšna druga garancija.

POOBLAŠČEN SERVISNI CENTER

Pooblaščen servisni center blizu vas poiščite na <http://uk.ryobitools.eu/header/service-and-support/service-agents>.

SK ZÁRUČNÉ PODMIENKY RYOBI®

Na tento výrobok sa okrem všetkých zákonných práv, vyplývajúcich z nákupu, vzťahuje záruka v nasledovnom znení.

- Záručná doba pre spotrebiteľa je 24 mesiacov a začína plynúť odo dňa, kedy bol výrobok zakúpený. Tento dátum musí byť doložený faktúrou alebo iným dokladom o zakúpení. Výrobok je navrhnutý a určený pre spotrebiteľa a ten na súkromné používanie. Preto sa záruka sa neposkytuje v prípade použitia na profesionálne a komerčné účely.
- V prípade záhradného náradia (na striedavý/jednosmerný prúdu AC/DC), existuje možnosť predĺženia záručnej doby oproti záručnej dobe, uvedenej vyššie, s využitím on-line registrácie na webovej stránke www.ryobitools.eu. Označenie na náradí o nároku na predĺženie záručnej doby je zreteľne uvedené v obchodoch a/alebo na obale a je uvedené v dokumentácii k výrobku. Koncový používateľ musí zaregistrovať svoje novozískané náradie on-line do 30 dní odo dňa nákupu. Koncový používateľ sa môže zaregistrovať na predĺženie záruky v krajine svojho bydliska, ak je v on-line registračnom formulári uvedená táto možnosť. Ďalej musia koncoví používatelia ešte dať svoj súhlas k uchovávaniu údajov, ktoré je potrebné zadať on-line a musia súhlasiť s podmienkami. Potvrdenie o prijatí registrácie, ktorý je zasielané e-mailom a originál faktúry, v ktorej je uvedený dátum nákupu, slúžia ako dôkaz o predĺžení záruke.
- Záruka sa vzťahuje na všetky poruchy výrobku v záručnej dobe, spôsobené chybami materiálů alebo spracovania k dátumu nákupu. Táto záruka je obmedzená na opravu a/alebo výmenu a nezahŕňa ďalšie povinnosti, vrátane, okrem iných, náhodné alebo následné škody. Táto záruka je neplatná, ak bol výrobok nesprávne používaný, bol používaný v rozpore s návodom na použitie alebo bol nesprávne zapojený. Táto záruka sa nevzťahuje na:
 - akékoľvek poškodenie výrobku, ktoré bolo spôsobené nesprávnou obsluhou
 - akýkoľvek výrobok, ktorý bol zmenený alebo upravený
 - akýkoľvek výrobok, na ktorom bolo poškodené, upravené alebo odstránené identifikačné označenie (ochranná známka, výrobné číslo)
 - akékoľvek škody, spôsobené nedodržaním návodu na obsluhu
 - akýkoľvek výrobok, ktorý neobsahuje označenie CE
 - akýkoľvek výrobok, ktorý sa pokúšajú opraviť nekvalifikovaní odborníci alebo bol opravovaný bez predchádzajúceho súhlasu so strany spoločnosti Techtronic Industries.
 - akýkoľvek výrobok, pripojený k nesprávnemu napájaciemu zdroju (ampéry, napätie, frekvencia)
 - akýkoľvek výrobok, používaný s nesprávnou palivovou zmesou (palivo, olej, percento oleja)
 - akékoľvek poškodenia, spôsobené vonkajšími vplyvmi (chemickými, fyzikálnymi, nárazmi) alebo cudzorodými látkami
 - bežné opotrebovanie náhradných dielov
 - nevhodné používanie, preťažovanie nástroja
 - používanie neschváleného príslušenstva a dielov
 - Akékoľvek pravidelné úpravy alebo čistenie karburátorov, vykonávaných vrámi údržby
 - Súčiastky (diely a príslušenstvo), ktoré podliehajú prirodzenému opotrebovaniu, okrem iných, otočné gombíky, hnače remene, spojka, nože na nožnice na živý plot alebo kosačky na trávu, popruhy, lanko škrtačej klapky, uhľiky, napájací kábel, radličky, pistené podložky, závesné klice, lopatky fúkačov, trubice vysávača a fúkača, vak do vysávača a popruhy, vodiace lišty, reťazové pily, hadice, spojovacie armatúry, trysky, kolesá, striekacie rúrky, mútorné cievy, vonkajšie cievy, žacie lanká, zapalovacie sviečky, zduchové filtre, benzínové filtre, mulčovacie nože atď.
- Na opravu musí byť výrobok odoslaný alebo doručený do autorizovaného servisného strediska RYOBI, uvedeného pre každú krajinu v nasledovnom zozname adries servisných stredísk. V niektorých krajinách miestny zástupca RYOBI preberá na seba záväzok zaslať tovar do servisnej organizácie RYOBI. Pri odosielaní výrobku do servisného strediska RYOBI je potrebné výrobok bezpečne zabaliť bez akéhokoľvek nebezpečného obsahu, ako je bencín, s vyznačením adresy odosiadateľa, s krátkym popisom poruchy.
- Oprava/výmena je vrámcí tejto záruky bezplatná. Neznamená to predĺženie záruky alebo spôsobenie novej záručnej doby. Vymenené diely alebo nástroje sa stávajú našim vlastníctvom. V niektorých krajinách náklady na odoslanie alebo poštné musí zaplatiť odosiadateľ. Vaše zákonné práva, vyplývajúce z nákupu náradia, zostávajú nedotknuté.
- Táto záruka platí v Európskej únii, Švajčiarsku, Islande, Nórsku, Lichtenštajnsku, Turesku a Rusku. Ak sa nachádzate mimo týchto oblastí, obráťte sa na autorizovaného predajcu RYOBI na určenie, či sa dá uplatniť iná záruka.

AUTORIZOVANÉ SERVISNÉ CENTRUM

Ak chcete nájsť najbližšie autorizované servisné centrum, navštívte stránku <http://uk.ryobitools.eu/header/service-and-support/service-agents>.

BG УСЛОВИЯ ЗА ВАЛИДНОСТ НА ГАРАНЦИЯТА НА RYOBI®

В допълнение към законоустановените права, произтичащи от покупката, този продукт е обхванат от гаранция, както е изложено по-долу.

- Гаранционният срок е 24 месеца за клиенти и започва да тече от деня на закупуване на продукта. Тази дата трябва да се докаже с фактура или друго доказателство за покупка. Продуктът е изработен и предназначен само за потребителска и лична употреба. Следователно не се дава гаранция в случай на използване от професионалисти или с търговска цел.
- Съществува възможност за удължаване на гаранционния срок за част от диапозона на гаранцията на градински инструменти (AC/DC) след изтичането на описания тук чрез регистрация на уеб сайта www.ryobitools.eu. В магазините и/или на опаковката или вътре в документацията на продукта е показано ясно дали инструментът отговаря на условията за такова удължаване на гаранционния срок. Крайният потребител трябва да регистрира своите новопридобити инструменти онлайн в рамките на 30 дни от датата на покупка. Крайният потребител може да се регистрира за удължена гаранция в държавата си на пребиваване, ако е посочена във формуляра за онлайн регистрация като място, където тази опция е валидна. Освен това крайните потребители трябва да дават съгласието си за съхранение на данните, които са задължителни за попълване онлайн, и трябва да приемат общите условия. Полученото потвърждение за регистрация, изработено по електронна поща, и оригиналната фактура, показваща датата на покупка, ще служат като доказателство за удължената гаранция.
- Гаранцията покрива всички дефекти на продукта по време на гаранционния срок, които се дължат на проблеми в изработката или материалите към момента на покупката. Гаранцията е ограничена до ремонт и/или замяна и не включва други задължения, включително, но не само, случайни или косвени щети. Гаранцията е невалидна, ако продуктът е използван неправилно или в противоречие с ръководството с инструкции, както и ако е свързан неправилно. Тази гаранция не важи за:
 - щети по продукта в резултат на неправилна профилактика
 - продукти, които са били изменени или модифицирани
 - продукт, при който оригиналните маркировки за идентификация (търговска марка, серия номер) са изтрети, променени или премахнати
 - повреда, причинена от неспазване на ръководството с инструкции
 - продукт без CE маркировка
 - продукт, за който е направен опит за ремонт от неквалифициран специалист или без предварително разрешение от Techtronic Industries.
 - продукт, свързан към неподходящо електрохранване (ампераж, волтаж, честота)
 - продукт, използван с неподходяща горивна смес (гориво, масло, процент масло)
 - щети, причинени от външни влияния (химични, физични, удари) или чужди вещества
 - нормално износване на резервни част
 - неподходяща употреба, претоварване на инструментата
 - използване на неподходящи аксесоари или части
 - Всякакви периодични настройки или почистване с цел извършване на поддръжка на карбуратори
 - Компоненти (част и аксесоари), подложени на естествено износване, включително, но не само, копчета за тласкане, задвижващи ремъци, съединител, остриета на ножичи за жив плет или косачки за трева, презарамки, кабелен дросел, карбонови четки, захранващ кабел, остриета, филцови шайби, осигурителни щифтове, вентилатори на уреди за обдухване, тръби за обдухване и всмукване, торба за отпадъци и ремъци, водещи шини, вериги за триони, маркучи, филтинги на конектори, дюзи, копела, пръскалки, вътрешни и външни макари, рещоце влакно, запалителни свещи, въздушни филтри, горивни филтри, остриета за мулчиране и др.
- За обслужване продуктът трябва да се изпрати или занесе на авторизиран сервиз на RYOBI, вноскичен за всяка държава в следния списък с адреси на сервиси. В някои държави местният търговец на RYOBI поема отговорността да изпрати продукта до сервизен център на RYOBI. При изпращане на продукт до сервиз на RYOBI той трябва да е опакован безопасно без опасност съдържане, напр. бензин, да е маркиран с адреса на подателя и придружен от кратко описание на повредата.
- Ремонтът/замяната по силата на тази гаранция са безплатни. Те не водят до удължаване или подновяване на гаранционния срок. Сменените части или инструменти стават наша собственост. В някои държави таксите за доставка или изпращане трябва да се платят от подателя. Законоустановените ви права, произтичащи от закупуването на инструментата, остават незаесгнати
- Тази гаранция е валидна в Европейската общност, Швейцария, Исландия, Норвегия, Лихтенщайн, Турция и Русия. Извън тези области се свържете с упълномощения търговец на RYOBI, за да се установи дали е приложима друга гаранция.

УПЪЛНОМОЩЕН СЕРВИЗЕН ЦЕНТЪР

За да намерите упълномощен сервизен център близо до вас, посетете <http://uk.ryobitools.eu/header/service-and-support/service-agents>.

UK ГАРАНТИЙНИ УМОВИ ДЛЯ RYOBI®

Окрім загалом установлених законом прав, що стосуються покупки, цей пристрій покривається гарантією, що зазначено нижче.

- Гарантійний період для споживачів складає 24 місяці і починається з моменту придбання цього пристрою. Ця дата повинна бути задокументована у накладній або іншому документі, що підтверджує покупку. Цей пристрій був розроблений і призначений тільки для споживчого та приватного використання. У разі професійного або комерційного використання цього пристрою, він втрачає гарантію.
- Існує можливість продовжити гарантійний період, понад період описаний вище, для частини лінійки садових інструментів (перемінного/постійного струму) за допомогою реєстрації на сайті www.ryobitools.eu. Пристрої, які мають право на подовження гарантійного періоду, мають чіткі позначки щодо цього в магазинах і / або на опаковці / та документації до пристрою. Кінцевий користувач повинен зареєструвати його/її новопридбаний пристрій онлайн протягом 30 днів з дати покупки. Кінцевий користувач може зареєструватися для подовження гарантійного періоду в своїй країні постійного перебування, якщо вона є доступною у відповідній опції онлайн форми реєстрації. Крім того, кінцеві користувачі повинні дати свою згоду на зберігання даних, які необхідні для введення онлайн, а також вони повинні прийняти правила та умови. Отримання підтвердження реєстрації, яке відправляється на адресу електронної пошти, та оригінал накладної із зазначеною датою покупки буде слугувати доказом подовженої гарантії.
- Гарантія поширюється на всі дефекти пристрою протягом гарантійного терміну щодо недотримання стандартів виробництва або матеріалів на дату придбання. Гарантія обмежується ремонтом та/або заміною, та не включає в себе будь-яких інших зобов'язань, в тому числі, але необмежена у разі випадкових та подальших пошкоджень. Гарантія не діє, якщо пристрій використовувався неналежним чином, всупереч інструкції з експлуатації або був неправильно підключений до мережі. Дана гарантія не поширюється на:
 - пристрій, що були пошкоджені у результаті неправильного технічного обслуговування;
 - пристрій, що були відозомнені або модифіковані;
 - пристрій, оригінальне ідентифікаційне (товарний знак, серійний номер) маркування яких було пошкоджене, змінене або видалено;
 - будь-які пошкодження, заподіяні недотриманням інструкції з експлуатації;
 - пристрої, що не мають маркування CE;
 - пристрої, що були відремонтовані некваліфікованим фахівцем або за відсутності попереднього дозволу від Techtronic Industries;
 - пристрої, підключені до невідповідного джерела живлення (сила току, напруження, частота);
 - пристрої, що використовувались із невідповідною паливною сумішшю (паливом, оливою, відсотковою часткою оливи);
 - будь-які пошкодження спричинені зовнішнім впливом (хімічними, фізичними, стрибком напруги) або сторонніми речовинами;
 - нормальну амортизацію запасних частин;
 - невідповідне використання, перевантаження пристрою;
 - використання невідтверджених запасних частин або аксесуарів;
 - Будь-які періодичні коригування або технічне очищення карбураторів
 - Компоненти (частини та аксесоари) з урахуванням нормального зношування, враховуючи але без обмеження на імпульсні кнопки, ремені приводу, зчеплення, леза куцюрза або газонокосарки, ремені, триси дросельного клапану, вугільні штирки, шнурки живлення, зубці, фетрові підкладки, зчіпні штирки, вентилятори повітродувки, трубки пилосола та повітродувки, вакуумні мішки та накладки, напрямні, ланцюги, гнучкі шланги, з'єднувальні фітинги, розпилювальні насадки, колеса, жорсткі сопла, внутрішні котушки, звільнители золотників, річкові волосінки, свчки запалення, повітряні фільтри, протигазові фільтри, мульчувальні леза, т.д.
- Для обслуговування, пристрій має бути відправлений або поданий до одного з авторизованих сервісних центрів RYOBI, які перелічені для кожної країни у наступному переліку адрес сервісних центрів. У деяких країнах місцевий дилер RYOBI зобов'язується відправити пристрій до сервісного центру RYOBI. При відправленні пристрою до сервісного центру RYOBI, пристрій має бути надійно упакований без будь-якого небезпечного вмісту, наприклад бензину, з позначеною адресою відправника та супроводжуватися коротким описом несправності.
- Ремонт / заміна відповідно до цієї гарантії здійснюється безкоштовно. Це не є основою для подовження або початку нового гарантійного періоду. Замінені частини або прилади переходять до власності компанії. У деяких країнах вартість доставки або поштові витрати повинні бути сплачені відправником. Загально встановлені права покупця на пристрій залишаються незмінними
- Ця гарантія діє в Європейському Союзі, Швейцарії, Ісландії, Норвегії, Лихтенштейні, Туреччині та Росії. За межами цих зон, будь ласка, зверніться до офіційного дилера RYOBI, щоб визначити, чи застосовується інша гарантія.

АВТОРИЗОВАНІ СЕРВІСНІ ЦЕНТРИ

Для отримання оновленого переліка авторизованих сервісних центрів, відвідайте <http://uk.ryobitools.eu/header/service-and-support/service-agents>

TR RYOBI® GARANTİ UYGULAMA KOŞULLARI

Alımdan kaynaklanan yasal haklara ek olarak, ürün aşağıda belirtilen garanti kapsamındadır.

1. Tüketiciler için 24 ay olan garanti süresi, ürünün satın alındığı tarihte başlar. Bu tarihin bir fatura ya da alım kanıtıyla belgelenmesi gerekir. Ürün sadece tüketim ve özel kullanım için geliştirilmiş ve adanmıştır. Bu nedenle, profesyonel ya da ticari kullanım halinde garanti kapsamı sağlanmaz.
2. Bahçe aletlerinin bir bölümü (AC/DC) için www.ryobitools.eu sayfasındaki kayıt işlemini kullanarak garantinin belirtilen sürenin ötesine uzatma imkanı mevcuttur. Aletlerin garanti süresinin uzatılmasına uygun olup olmadığı mağazalarda ve / veya ambalajda açıkça belirtilmiş olup, ürün dokümantasyonunda gösterilir. Son kullanıcının yeni aldığı aletleri satın alma tarihini izleyen 30 gün içinde kaydettirmesi gerekir. Son kullanıcı ikamet ettiği ülkede, bu seçeneğin geçerli olduğu çevrimiçi kayıt formunda belirtilmişse, uzatılmış garanti süresi için kayıt yaptırabilir. Dahası, son kullanıcıların çevrimiçi giriş için gerekli verilerin kaydedilmesine izin vermelidir ve hüküm ve koşulları kabul etmelidir. E-posta ile gönderilen kayıt teyit makbuzu ve alım tarihini gösteren orijinal fatura uzatılmış garantinin kanıtı olarak değerlendirilir.
3. Garanti, ürünün alım tarihindeki işçilik ve malzeme kusurları nedeniyle garanti süresi içinde oluşacak bütün arızalarını kapsar. Bu garanti onarım ve değiştirmeyle sınırlı olup, tesadüfi ya da dolaylı hasarlar da dahil, ancak bunlarla kısıtlı olmayan başka hiçbir taahhüdü kapsamaz. Garanti, ürünün kötü, kullanıcı kılavuzuna aykırı kullanılmış ya da yanlış bağlanmış olması halinde geçerli değildir. Bu garanti aşağıdakileri kapsamaz:
 - Üründe, yanlış bakımdan kaynaklanan herhangi bir hasar
 - Değiştirilmiş ya da modifiye edilmiş herhangi bir ürün
 - Orijinal tanıtmış işaretleri (ticari marka, seri numarası) silinmiş, değiştirilmiş ya da kaldırılmış herhangi bir ürün
 - Kullanma kılavuzuna uymamaktan kaynaklanmış herhangi bir hasar
 - Herhangi bir AT dışı ürün
 - Kalifiye olmamış personel tarafından ya da önceden Techtronic Industries onayı alınmadan onarılmış herhangi bir ürün.
 - Uygunsuz güç kaynağına (amper, voltaj, frekans) bağlanmış herhangi bir ürün
 - Uygunsuz bir yakıt karışımıyla (yakıt, yağ, yap yüzdesi) kullanılmış herhangi bir ürün
 - Harici etkenlerden (kimyasal, fiziksel, darbe) veya yabancı cisimlerden kaynaklanan her türlü hasar
 - Normal aşınır ve yıpranır aksam
 - Uygunsuz kullanım, aletin aşırı yüklenmesi
 - Onaysız aksesuar veya parça kullanımı
 - Karbüratörlere uygulanacak her türlü periyodik ayar, bakım veya temizlik
 - Darbe Düğmeleri, Tahrir Kayışları, Kavrama, Çit Budama ya da Çim Bıçma Makinelerinin Bıçakları, Kayış Koşumlar, Kablo Gaz, Kömür Fırçalar, Güç Kablosu, Dişler, Keçe Rondelalar, Bağlantı Pimleri, Üfleyci Pervaneleri, Üfleyci ve Vakum Boruları, Vakum Torbası ve Kayışları, Kılavuz Çubuklar, Zincir Testere, Hortumlar, Konektör bağlantıları, Püskürtme Memeleri, Çarklar, Püskürtme Çubukları, Dahili Makaralar, Harici Makaralar, Kesme Telleri, Bujiler, Hava Filtreleri, Gaz Filtreleri, Malçlama Bıçakları vb. gibi parçaları kapsayan, ancak bunlarla sınırlı olmayan, aşınma ve yıpranmaya tabi bileşenler (aksam ve aksesuarlar).
4. Ürünün servis için her ülkede aşağıdaki servis istasyonları adres listesinde yer alan yetkili bir RYOBI servis istasyonuna gönderilmesi ya götürülmesi gereklidir. Bazı ülkelerde, yerel RYOBI distribütörünüz ürünü RYOBI servis teşkilatına göndermeyi üstlenir. Bir ürün bir RYOBI servis istasyonuna gönderilirken, ürünün güvenli bir biçimde ambalajlanması, benzin gibi tehlikeli maddeler içermemesi, gönderenin adresini taşıması ve arızanın kısa bir açıklamasını içermesi gerekir.
5. Bu garanti kapsamında yapılacak onarım / değişiklik ücretsizdir. Garanti süresinin uzatılması ya da yeniden başlatılması anlamına gelmez. Değiştirilmiş parçalar veya aletler bize ait olur. Bazı ülkelerde teslimat ücretleri veya posta giderlerinin gönderici tarafından ödenmesi gerekir. Alımdan kaynaklanan yasal haklarınız etkilenmez.
6. Bu Garanti Avrupa Topluluğu, İsviçre, İzlanda, Norveç, Liechtenstein, Türkiye ve Rusya'da geçerlidir. Bu alanların dışında, başka bir garantinin geçerli olup olmadığını belirlemek için lütfen yetkili RYOBI distribütörünüzle iletişime geçin.

YETKİLİ SERVİS MERKEZİ

En yakın yetkili servis merkezini öğrenmek için <http://uk.ryobitools.eu/header/service-and-support/service-agents> sitesine girin.

EN EC DECLARATION OF CONFORMITY

Techtronic Industries GmbH
Max-Eyth-Straße 10, 71364 Winnenden, Germany

Herewith we declare that the product

Cordless Weed Sprayer
Brand: Ryobi
Model number: OWS1880
Serial number range: 44484901000001 - 44484901999999

is in conformity with the following European Directives and harmonised standards

2006/42/EC, 2009/127/EC, 2014/30/EU, 2011/65/EU,
EN 60745-1:2009+A11:2010, EN 50580:2012+A1:2013,
EN 55014-1:2006+A1:2009+A2:2011,
EN 55014-2:1997+A1:2001+A2:2008, EN 50581:2012

Andrew John Eyre (BEng, CEng, MIET)
Vice President, Regulatory & Safety
Winnenden, Aug. 10, 2016

Authorised to compile the technical file:
Alexander Krug, Managing Director
Techtronic Industries GmbH
Max-Eyth-Straße 10, 71364 Winnenden, Germany

CE

DE EK KONFORMITÄTSERKLÄRUNG

Techtronic Industries GmbH
Max-Eyth-Straße 10, 71364 Winnenden, Germany

Hiermit erklären wir, dass die Produkte

18V Akku Drucksprüher
Marke: Ryobi
Modellnummer: OWS1880
Seriennummernbereich: 44484901000001 - 44484901999999

mit den folgenden europäischen Richtlinien und harmonisierten Normen entspricht

2006/42/EC, 2009/127/EC, 2014/30/EU, 2011/65/EU,
EN 60745-1:2009+A11:2010, EN 50580:2012+A1:2013,
EN 55014-1:2006+A1:2009+A2:2011,
EN 55014-2:1997+A1:2001+A2:2008, EN 50581:2012

Andrew John Eyre (BEng, CEng, MIET)
Vizepräsident, Vorschriften und Sicherheit
Winnenden, Aug. 10, 2016

Autorisiert die technische Datei zu erstellen:
Alexander Krug, Geschäftsführer
Techtronic Industries GmbH
Max-Eyth-Straße 10, 71364 Winnenden, Germany

CE

FR DÉCLARATION DE CONFORMITÉ EC

Techtronic Industries GmbH
Max-Eyth-Straße 10, 71364 Winnenden, Germany

Declarons par la présente que le produit

Pulvérisateur sans-fil
Marque: Ryobi
Numéro de modèle: OWS1880
Étendue des numéros de série: 44484901000001 - 44484901999999

est conforme aux Directives Européennes et Normes Harmonisées suivantes

2006/42/EC, 2009/127/EC, 2014/30/EU, 2011/65/EU,
EN 60745-1:2009+A11:2010, EN 50580:2012+A1:2013,
EN 55014-1:2006+A1:2009+A2:2011,
EN 55014-2:1997+A1:2001+A2:2008, EN 50581:2012

Andrew John Eyre (BEng, CEng, MIET)
Vice-Président, Réglementation & Sécurité
Winnenden, Aug. 10, 2016

Autorisé à rédiger le dossier technique:
Alexander Krug, Directeur Général
Techtronic Industries GmbH
Max-Eyth-Straße 10, 71364 Winnenden, Germany

CE

ES DECLARACIÓN EC DE CONFORMIDAD

Techtronic Industries GmbH
Max-Eyth-Straße 10, 71364 Winnenden, Germany

Por la presente declaramos que los productos

Herbicida inalámbrico
Marca: Ryobi
Número de modelo: OWS1880
Intervalo del número de serie:
RPT184515: 44484901000001 - 44484901999999

se encuentra en conformidad con las siguientes Directivas Europeas y normas armonizadas

2006/42/EC, 2009/127/EC, 2014/30/EU, 2011/65/EU,
EN 60745-1:2009+A11:2010, EN 50580:2012+A1:2013,
EN 55014-1:2006+A1:2009+A2:2011,
EN 55014-2:1997+A1:2001+A2:2008, EN 50581:2012

Andrew John Eyre (BEng, CEng, MIET)
Vicepresidente, Director General de Normativa y Seguridad
Winnenden, Aug. 10, 2016

Autorizado para elaborar la ficha técnica:
Alexander Krug, Administrador Ejecutivo
Techtronic Industries GmbH
Max-Eyth-Straße 10, 71364 Winnenden, Germany

CE

IT DICHIARAZIONE DI CONFORMITÀ EC

Techtronic Industries GmbH
Max-Eyth-Straße 10, 71364 Winnenden, Germany

Si dichiara con la presente che il prodotto

Spruzzatore per erbacce senza cavo
Marca: Ryobi
Numero modello: OWS1880
Gamma numero seriale: 44484901000001 - 44484901999999

è conforme alle seguenti Direttive Europee e ai seguenti standard armonizzati

2006/42/EC, 2009/127/EC, 2014/30/EU, 2011/65/EU,
EN 60745-1:2009+A11:2010, EN 50580:2012+A1:2013,
EN 55014-1:2006+A1:2009+A2:2011,
EN 55014-2:1997+A1:2001+A2:2008, EN 50581:2012

Andrew John Eyre (BEng, CEng, MIET)
Vice-Presidente, Dipartimento Regolazioni & Sicurezza
Winnenden, Aug. 10, 2016

Autorizzato per compilare il file tecnico:

Alexander Krug, Direttore Amministrativo
Techtronic Industries GmbH
Max-Eyth-Straße 10, 71364 Winnenden, Germany

CE

PT DECLARAÇÃO EC DE CONFORMIDADE

Techtronic Industries GmbH
Max-Eyth-Straße 10, 71364 Winnenden, Germany

Pelo presente declaramos que os produtos

Herbicida sem fios
Marca: Ryobi
Número do modelo: OWS1880
Intervalo do número de série: 44484901000001 - 44484901999999

se encontra em conformidade com as seguintes Directivas Europeias e normas

harmozizadas
2006/42/EC, 2009/127/EC, 2014/30/EU, 2011/65/EU,
EN 60745-1:2009+A11:2010, EN 50580:2012+A1:2013,
EN 55014-1:2006+A1:2009+A2:2011,
EN 55014-2:1997+A1:2001+A2:2008, EN 50581:2012

Andrew John Eyre (BEng, CEng, MIET)
Vice-Presidente, Regulamentação & Segurança
Winnenden, Aug. 10, 2016

Autorizado para compilar o ficheiro técnico:

Alexander Krug, Administrador Executivo
Techtronic Industries GmbH
Max-Eyth-Straße 10, 71364 Winnenden, Germany

CE

NL EC CONFORMITEITSVERKLARING

Techtronic Industries GmbH
Max-Eyth-Straße 10, 71364 Winnenden, Germany

Hierbij verklaren wij dat het product

Snoerloze onkruidsproeier
Merk: Ryobi
Modelnummer: OWS1880
Serienummerbereik: 44484901000001 - 44484901999999

is in overeenstemming met de volgende Europese Richtlijnen en geharmoniseerde normen

2006/42/EC, 2009/127/EC, 2014/30/EU, 2011/65/EU,
EN 60745-1:2009+A11:2010, EN 50580:2012+A1:2013,
EN 55014-1:2006+A1:2009+A2:2011,
EN 55014-2:1997+A1:2001+A2:2008, EN 50581:2012

Andrew John Eyre (BEng, CEng, MIET)
Vice-president, Regelgeving en Veiligheid
Winnenden, Aug. 10, 2016

Afgevaardigde voor het samenstellen van de technische fiche:

Alexander Krug, Directeur
Techtronic Industries GmbH
Max-Eyth-Straße 10, 71364 Winnenden, Germany

CE

DA EC OVERENSSTEMMELSEERKLÆRING

Techtronic Industries GmbH
Max-Eyth-Straße 10, 71364 Winnenden, Germany

Vi erklærer hermed, at produktet

Ledningsfri ukrudtsprøje
Brand: Ryobi
Modelnummer: OWS1880
Serienummerområde: 44484901000001 - 44484901999999

er i overensstemmelse med følgende EU-direktiver og harmoniserede standarder

2006/42/EC, 2009/127/EC, 2014/30/EU, 2011/65/EU,
EN 60745-1:2009+A11:2010, EN 50580:2012+A1:2013,
EN 55014-1:2006+A1:2009+A2:2011,
EN 55014-2:1997+A1:2001+A2:2008, EN 50581:2012

Andrew John Eyre (BEng, CEng, MIET)
Vicepræsident, Regler og Sikkerhed
Winnenden, Aug. 10, 2016

Bemyndiget til at udarbejde det tekniske kartotek:

Alexander Krug, Administrerende Direktør
Techtronic Industries GmbH
Max-Eyth-Straße 10, 71364 Winnenden, Germany

CE

(SV) EC-KONFORMITETSDEKLARATION

Techtronic Industries GmbH
Max-Eyth-Straße 10, 71364 Winnenden, Germany

Härmed deklarerar vi att produkterna

Trådlös ogrässpruta
Märke: Ryobi
Modellnummer: OWS1880
Serienummerintervall: 44484901000001 - 44484901999999

är i enlighet med följande EU-direktiv och harmoniserade standarder
2006/42/EC, 2009/127/EC, 2014/30/EU, 2011/65/EU,
EN 60745-1:2009+A11:2010, EN 50580:2012+A1:2013,
EN 55014-1:2006+A1:2009+A2:2011,
EN 55014-2:1997+A1:2001+A2:2008, EN 50581:2012



Andrew John Eyre (BEng, CEng, MIET)
Vice President, Regelverk och Säkerhet
Winnenden, Aug. 10, 2016

Godkänd att sammanställa den tekniska filen:
Alexander Krug, VD
Techtronic Industries GmbH
Max-Eyth-Straße 10, 71364 Winnenden, Germany

CE

(NO) EC-SAMSVARERKLÆRING

Techtronic Industries GmbH
Max-Eyth-Straße 10, 71364 Winnenden, Germany

Herved erklærer vi at produktet

Trådløs ugressprøyte
Märke: Ryobi
Modellnummer: OWS1880
Serienummerserie: 44484901000001 - 44484901999999

er i samsvar med følgende europeiske direktiver og harmoniserte standarder
2006/42/EC, 2009/127/EC, 2014/30/EU, 2011/65/EU,
EN 60745-1:2009+A11:2010, EN 50580:2012+A1:2013,
EN 55014-1:2006+A1:2009+A2:2011,
EN 55014-2:1997+A1:2001+A2:2008, EN 50581:2012



Andrew John Eyre (BEng, CEng, MIET)
Visepresident, Forskrifter og Sikkerhet
Winnenden, Aug. 10, 2016

Autorisert til å sette sammen den tekniske filen:
Alexander Krug, Administrerende Direktør
Techtronic Industries GmbH
Max-Eyth-Straße 10, 71364 Winnenden, Germany

CE

(FI) EC-SÄÄNNÖSTEN NOUDATTAMINEN

Techtronic Industries GmbH
Max-Eyth-Straße 10, 71364 Winnenden, Germany

Ilmoitamme täten, että tuotteet

Johdoton rikkaruuhoruisku
Tuotemerkki: Ryobi
Mallinumero: OWS1880
Sarjanumeroalue: 44484901000001 - 44484901999999

noudattaa seuraavia EU-direktiivejä ja harmonoituja standardeja
2006/42/EC, 2009/127/EC, 2014/30/EU, 2011/65/EU,
EN 60745-1:2009+A11:2010, EN 50580:2012+A1:2013,
EN 55014-1:2006+A1:2009+A2:2011,
EN 55014-2:1997+A1:2001+A2:2008, EN 50581:2012



Andrew John Eyre (BEng, CEng, MIET)
Varatoimitusjohtaja, Säästöstenmukaisuus ja Turvallisuus
Winnenden, Aug. 10, 2016

Valtuutettu kokoamaan tekninen tiedosto:
Alexander Krug, Toimitusjohtaja
Techtronic Industries GmbH
Max-Eyth-Straße 10, 71364 Winnenden, Germany

CE

(RU) ЗАЯВЛЕНИЕ О СООТВЕТСТВИИ ТРЕБОВАНИЯМ ЕС

Techtronic Industries GmbH
Max-Eyth-Straße 10, 71364 Winnenden, Germany

Настоящим мы заявляем, что данный продукт

Беспроводной опрыскиватель
Марка: Ryobi
Номер модели: OWS1880
Диапазон заводских номеров: 44484901000001 - 44484901999999

соответствует требованиям следующих Директив ЕС и согласованных стандартов
2006/42/EC, 2009/127/EC, 2014/30/EU, 2011/65/EU,
EN 60745-1:2009+A11:2010, EN 50580:2012+A1:2013,
EN 55014-1:2006+A1:2009+A2:2011,
EN 55014-2:1997+A1:2001+A2:2008, EN 50581:2012



Andrew John Eyre (BEng, CEng, MIET)
Вице-Президент По Технике Безопасности И Стандартам
Winnenden, Aug. 10, 2016

Лицо, ответственное за подготовку технической документации:
Alexander Krug, Директор
Techtronic Industries GmbH
Max-Eyth-Straße 10, 71364 Winnenden, Germany

CE

PL DEKLARACJA ZGODNOŚCI EC

Techtronic Industries GmbH
Max-Eyth-Straße 10, 71364 Winnenden, Germany

Niniejszym deklarujem, że produkty

Opryskiwacz bezprzewodowy
Marka: Ryobi
Numer modelu: OWS1880
Zakres numerów seryjnych: 44484901000001 - 44484901999999

jest zgodny z następującymi dyrektywami europejskimi i zharmonizowanymi normami

2006/42/EC, 2009/127/EC, 2014/30/EU, 2011/65/EU,
EN 60745-1:2009+A11:2010, EN 50580:2012+A1:2013,
EN 55014-1:2006+A1:2009+A2:2011,
EN 55014-2:1997+A1:2001+A2:2008, EN 50581:2012

Andrew John Eyre (BEng, CEng, MIET)
Wiceprezes ds. Zgodności Prawnej i Bezpieczeństwa
Winnenden, Aug. 10, 2016

Osoba upoważniona do sporządzenia dokumentu technicznego:
Alexander Krug, Dyrektor Zarządzający
Techtronic Industries GmbH
Max-Eyth-Straße 10, 71364 Winnenden, Germany

CE

HU EC MEGFELELŐSÉGI NYILATKOZAT

Techtronic Industries GmbH
Max-Eyth-Straße 10, 71364 Winnenden, Germany

Ezúton kijelentjük, hogy a termékék

Akkumulátoros gyomirtó permetező
Marka: Ryobi
Típuszám: OWS1880
Sorozatszám tartomány: 44484901000001 - 44484901999999

megfelel az alábbi Európai Irányelvek és harmonizált szabványok vonatkozó rendelkezéseinek

2006/42/EC, 2009/127/EC, 2014/30/EU, 2011/65/EU,
EN 60745-1:2009+A11:2010, EN 50580:2012+A1:2013,
EN 55014-1:2006+A1:2009+A2:2011,
EN 55014-2:1997+A1:2001+A2:2008, EN 50581:2012

Andrew John Eyre (BEng, CEng, MIET)
Alelnök, Megfelelőségi és Biztonsági Területek
Winnenden, Aug. 10, 2016

A műszaki dokumentáció összeállítására felhatalmazott:
Alexander Krug, Ügyvezető Igazgató
Techtronic Industries GmbH
Max-Eyth-Straße 10, 71364 Winnenden, Germany

CE

CS PROHLÁŠENÍ O SHODĚ EC

Techtronic Industries GmbH
Max-Eyth-Straße 10, 71364 Winnenden, Germany

Tímto prohlašujeme, že výrobky

Bezdrátový postřikovač plevele
Značka: Ryobi
Číslo modelu: OWS1880
Rozsah sériových čísel: 44484901000001 - 44484901999999

že tento výrobek je v souladu s evropskými a harmonizovanými standardy

2006/42/EC, 2009/127/EC, 2014/30/EU, 2011/65/EU,
EN 60745-1:2009+A11:2010, EN 50580:2012+A1:2013,
EN 55014-1:2006+A1:2009+A2:2011,
EN 55014-2:1997+A1:2001+A2:2008, EN 50581:2012

Andrew John Eyre (BEng, CEng, MIET)
Viceprezident, Normy a Bezpečnost
Winnenden, Aug. 10, 2016

Pověření ke kompilaci technického souboru:
Alexander Krug, Generální Ředitel
Techtronic Industries GmbH
Max-Eyth-Straße 10, 71364 Winnenden, Germany

CE

RO DECLARAȚIE DE CONFORMITATE EC

Techtronic Industries GmbH
Max-Eyth-Straße 10, 71364 Winnenden, Germany

Prin prezenta, declarăm că produsele

Aparat de stropit buruieni fără cablu electric
Marcă: Ryobi
Număr serie: OWS1880
Gamă număr serie: 44484901000001 - 44484901999999

este în conformitate cu următoarele Directive Europene și standarde armonizate

2006/42/EC, 2009/127/EC, 2014/30/EU, 2011/65/EU,
EN 60745-1:2009+A11:2010, EN 50580:2012+A1:2013,
EN 55014-1:2006+A1:2009+A2:2011,
EN 55014-2:1997+A1:2001+A2:2008, EN 50581:2012

Andrew John Eyre (BEng, CEng, MIET)
Vicepreședintele, Reglementare & Siguranță
Winnenden, Aug. 10, 2016

Autorizat să completeze fișa tehnică:
Alexander Krug, Director General
Techtronic Industries GmbH
Max-Eyth-Straße 10, 71364 Winnenden, Germany

CE

LV EC ATBILSTĪBAS DEKLARĀCIJA

Techtronic Industries GmbH
Max-Eyth-Straße 10, 71364 Winnenden, Germany

Ar šo paziņojam, ka produkti

Bezvadu nezaļu smidzinātājs
Zīmols: Ryobi
Modeļa numurs: OWS1880
Sērijas numura intervāls: 44484901000001 - 44484901999999

atbilst šādām Eiropas direktīvām un saskaņotajiem standartiem

2006/42/EC, 2009/127/EC, 2014/30/EU, 2011/65/EU,
EN 60745-1:2009+A11:2010, EN 50580:2012+A1:2013,
EN 55014-1:2006+A1:2009+A2:2011,
EN 55014-2:1997+A1:2001+A2:2008, EN 50581:2012



Andrew John Eyre (BEng, CEng, MIET)
Viceprezidents, Darba Drošības Noteikumi
Winnenden, Aug. 10, 2016

Pilnvarots sastādīt tehnisko failu:

Alexander Krug, Izpilddirektors
Techtronic Industries GmbH
Max-Eyth-Straße 10, 71364 Winnenden, Germany

CE

ET EC VASTAVUSDEKLARATSIOON

Techtronic Industries GmbH
Max-Eyth-Straße 10, 71364 Winnenden, Germany

Kinnitame, et see toode

Akutoitega umbrohupriits
Mark: Ryobi
Mudeli number: OWS1880
Seerianumbri vahemik: 44484901000001 - 44484901999999

vastab järgmistele Euroopa direktiividele ja harmoniseeritud standarditele

2006/42/EC, 2009/127/EC, 2014/30/EU, 2011/65/EU,
EN 60745-1:2009+A11:2010, EN 50580:2012+A1:2013,
EN 55014-1:2006+A1:2009+A2:2011,
EN 55014-2:1997+A1:2001+A2:2008, EN 50581:2012



Andrew John Eyre (BEng, CEng, MIET)
Asepresident Standardiseerimise Ja Ohutuse Alal
Winnenden, Aug. 10, 2016

Tehnilise faili koostamiseks volitatud isik:

Alexander Krug, Tegevdirektor
Techtronic Industries GmbH
Max-Eyth-Straße 10, 71364 Winnenden, Germany

CE

LT EC ATITIKTIES DEKLARACIJA

Techtronic Industries GmbH
Max-Eyth-Straße 10, 71364 Winnenden, Germany

Mes pareiškiame, kad šie produktai

Belaidis piktžolių purkštuvas
Prekės ženklas: Ryobi
Modelio numeris: OWS1880
Serijinio numerio diapazonas: 44484901000001 - 44484901999999

pagamintas laikantis toliau nurodytųjų Europos Direktivų ir darniųjų standartų

2006/42/EC, 2009/127/EC, 2014/30/EU, 2011/65/EU,
EN 60745-1:2009+A11:2010, EN 50580:2012+A1:2013,
EN 55014-1:2006+A1:2009+A2:2011,
EN 55014-2:1997+A1:2001+A2:2008, EN 50581:2012



Andrew John Eyre (BEng, CEng, MIET)
Kontrolės Ir Saugos Viceprezidentas
Winnenden, Aug. 10, 2016

Igaliojtas sudaryti techninį failą:

Alexander Krug, Generalinis Direktorius
Techtronic Industries GmbH
Max-Eyth-Straße 10, 71364 Winnenden, Germany

CE

HR EC IZJAVA O USKLADENOSTI

Techtronic Industries GmbH
Max-Eyth-Straße 10, 71364 Winnenden, Germany

Ovime izjavljujemo da su proizvodi

Bežični raspršivač za korov
Marka: Ryobi
Broj modela: OWS1880
Raspon serijskog broja: 44484901000001 - 44484901999999

usklađen sa sljedećim Europskim Direktivama i usklađenim normama

2006/42/EC, 2009/127/EC, 2014/30/EU, 2011/65/EU,
EN 60745-1:2009+A11:2010, EN 50580:2012+A1:2013,
EN 55014-1:2006+A1:2009+A2:2011,
EN 55014-2:1997+A1:2001+A2:2008, EN 50581:2012



Andrew John Eyre (BEng, CEng, MIET)
Potpredsjednik za Pravila i Sigurnost
Winnenden, Aug. 10, 2016

Ovlašten da sastavi tehničku datoteku:

Alexander Krug, Direktor Upravljanja
Techtronic Industries GmbH
Max-Eyth-Straße 10, 71364 Winnenden, Germany

CE

SL IZJAVA EC O SKLADNOSTI

Techtronic Industries GmbH
Max-Eyth-Straße 10, 71364 Winnenden, Germany

Izjavljamo, da je izdelek

Akumulatorska škropilnica
Znamka: Ryobi
Številka modela: OWS1880
Razpon serijskih števil: 44484901000001 - 44484901999999

v skladu s sledočimi evropskimi direktivami in harmoniziranimi standardi

2006/42/EC, 2009/127/EC, 2014/30/EU, 2011/65/EU,
EN 60745-1:2009+A11:2010, EN 50580:2012+A1:2013,
EN 55014-1:2006+A1:2009+A2:2011,
EN 55014-2:1997+A1:2001+A2:2008, EN 50581:2012



Andrew John Eyre (BEng, CEng, MIET)
Podpredsednik, Zakonodajne In Varnostne Zadeve
Winnenden, Aug. 10, 2016

Pooblaščen oseba za sestavo tehnične dokumentacije:
Alexander Krug, Izvršni Direktor
Techtronic Industries GmbH
Max-Eyth-Straße 10, 71364 Winnenden, Germany

CE

BG ЕС ДЕКЛАРАЦИЯ НА ЗА СЪОТВЕТСТВИЕ

Techtronic Industries GmbH
Max-Eyth-Straße 10, 71364 Winnenden, Germany

С настоящето декларираме, че продуктите

Безжична градинска пръскачка
Марка: Ryobi
Номер на модела: OWS1880
Обхват на серийни номера: 44484901000001 - 44484901999999

отговаря на следните директиви на ЕС и хармонизирани стандарти

2006/42/EC, 2009/127/EC, 2014/30/EU, 2011/65/EU,
EN 60745-1:2009+A11:2010, EN 50580:2012+A1:2013,
EN 55014-1:2006+A1:2009+A2:2011,
EN 55014-2:1997+A1:2001+A2:2008, EN 50581:2012



Andrew John Eyre (BEng, CEng, MIET)
Вицепрезидент, Правни Услуги И Безопасност
Winnenden, Aug. 10, 2016

Упълномощено лице за съставяне на техническия файл:
Alexander Krug, Изпълнителен Директор
Techtronic Industries GmbH
Max-Eyth-Straße 10, 71364 Winnenden, Germany

CE

SK PREHLÁSENIE O ZHODE EC

Techtronic Industries GmbH
Max-Eyth-Straße 10, 71364 Winnenden, Germany

Týmto vyhlasujeme, že výrobok

Akumulátorový postrekovač buriny
Značka: Ryobi
Číslo modelu: OWS1880
Rozsah sériových čísel: 44484901000001 - 44484901999999

je v súlade s nasledujúcimi Európskymi smernicami a harmonizovanými normami

2006/42/EC, 2009/127/EC, 2014/30/EU, 2011/65/EU,
EN 60745-1:2009+A11:2010, EN 50580:2012+A1:2013,
EN 55014-1:2006+A1:2009+A2:2011,
EN 55014-2:1997+A1:2001+A2:2008, EN 50581:2012



Andrew John Eyre (BEng, CEng, MIET)
Viceprezident, Regulácia a Bezpečnosť
Winnenden, Aug. 10, 2016

Oprávnená osoba na zostavenie technického súboru:
Alexander Krug, Generálny Riaditeľ
Techtronic Industries GmbH
Max-Eyth-Straße 10, 71364 Winnenden, Germany

CE

UK ЕС ДЕКЛАРАЦИЯ ПРО ВІДПОВІДНІСТЬ

Techtronic Industries GmbH
Max-Eyth-Straße 10, 71364 Winnenden, Germany

При цьому ми заявляємо, що продукт

Бездротовий гербіцидний обприскувач
Марка: Ryobi
Номер моделі: OWS1880
Діапазон серійного номеру: 44484901000001 - 44484901999999

у відповідності з наступними європейськими директивами та гармонізованими стандартами

2006/42/EC, 2009/127/EC, 2014/30/EU, 2011/65/EU,
EN 60745-1:2009+A11:2010, EN 50580:2012+A1:2013,
EN 55014-1:2006+A1:2009+A2:2011,
EN 55014-2:1997+A1:2001+A2:2008, EN 50581:2012



Andrew John Eyre (BEng, CEng, MIET)
Віце-президент, регулювання і безпека
Winnenden, Aug. 10, 2016

Дозвіл на складання технічного файлу:
Alexander Krug, керуючий Директор
Techtronic Industries GmbH
Max-Eyth-Straße 10, 71364 Winnenden, Germany

CE

TR EC UYGUNLUK BEYANI

Techtronic Industries GmbH
Max-Eyth-StraÙe 10, 71364 Winnenden, Germany

İÙ bu belge ile bu ürünün

Kablosuz bahçe yıkama/sulama makinesi
Marka: Ryobi
Model numarası: OWS1880
Seri numarası aralığı: 44484901000001 - 44484901999999

aÙağıdaki Avrupa Direktiflerine ve uyumlaÙtırılmıÙ standartlara uygun olduğunu beyan ediyorum

2006/42/EC, 2009/127/EC, 2014/30/EU, 2011/65/EU,
EN 60745-1:2009+A11:2010, EN 50580:2012+A1:2013,
EN 55014-1:2006+A1:2009+A2:2011,
EN 55014-2:1997+A1:2001+A2:2008, EN 50581:2012

Andrew John Eyre

Andrew John Eyre (BEng, CEng, MIET)
Mevzuat ve Güvenlik Başkan Yardımcısı
Winnenden, Aug. 10, 2016

CE

Teknik dosyayı derlemekle yetkili sorumlu:
Alexander Krug, Genel Müdür
Techtronic Industries GmbH
Max-Eyth-StraÙe 10, 71364 Winnenden, Germany







Techtronic Industries GmbH
Max-Eyth-Straße 10,
71364 Winnenden, Germany

960994072-02