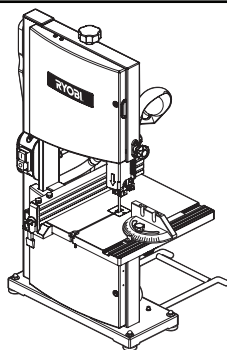


# RYOBI®

## RBS904

<b>(EN)</b> 350W BAND SAW WITH WORK-LIGHT	USER'S MANUAL	1
<b>(FR)</b> 350W SCIE À RUBAN AVEC LAMPE DE TRAVAIL	MANUEL D'UTILISATION	14
<b>(DE)</b> 350W BANDSÄGE MIT ARBEITSLICHT	BEDIENUNGSANLEITUNG	28
<b>(ES)</b> SIERRA DE CINTA DE 350 W CON LUZ DE TRABAJO	MANUAL DE UTILIZACIÓN	44
<b>(IT)</b> SEGA A NASTRO 350 W CON LAMPADA	MANUALE D'USO	59
<b>(NL)</b> 350 W BANDZAAG MET WERKLAMP	GEbruIKSHANDLEIDING	73
<b>(PT)</b> SERRA DE FITA DE 350 W COM LUZ DE TRABALHO	MANUAL DE UTILIZAÇÃO	87
<b>(DA)</b> 350 WATT BÅNDSAV MED ARBEJDSLYS	BRUGERVEJLEDNING	101
<b>(SV)</b> 350 W BANDSÄG MED ARBETSLAMPA	INSTRUKTIONSBOK	114
<b>(FI)</b> 350 W:N VANNESAHA TYÖVALOLLA	KÄYTTÄJÄN KÄSIKIRJA	127
<b>(NO)</b> 350 W BÅNDSAG MED ARBEIDSLYS	BRUKSANVISNING	140
<b>(RU)</b> ЛЕНТОЧНАЯ ПИЛА С ПОДСВЕТКОЙ, 350 BT	РУКОВОДСТВО ПО ЭКСПЛУАТАЦИИ	153
<b>(PL)</b> PILARKA TAŚMOWA Z OŚWIETLENIE M ROBOCZYM 350 W	INSTRUKCJA OBSŁUGI	169
<b>(CS)</b> PÁSOVÁ PÍLA S PRACOVNÍM SVĚTLEM 350 W	NÁVOD K OBSLUZE	184
<b>(HU)</b> 350 W SZALAGFŰRÉSZ MUNKALÁMPÁVAL	HASZNÁLATI ÚTMUTATÓ	197
<b>(RO)</b> FIERĂSTRĂU CU BANDĂ DE 350 W CU LUMINĂ DE LUCRU	MANUAL DE UTILIZARE	211
<b>(LV)</b> 350W LENTZĀĢIS AR DARBA APGAISMOJUMU	LIETOTĀJA ROKASGRĀMATA	225
<b>(LT)</b> 350 W JUOSTINIS PJŪKLAS SU DARBINIU APŠVIETIMU	NAUDOJIMO VADOVAS	238
<b>(ET)</b> 350 W LINTSAAG KOOS TÕKOHAVALGUSTIGA	KASUTAJAJUHEND	251
<b>(HR)</b> TRAČNA PÍLA S RADNIM SVJETLOM, SNAGE 350 W	KORISNIČKI PRIRUČNIK	264
<b>(SL)</b> TRAČNA ŽAGA Z DELOVNO LUČJO 350 W	UPORABNIŠKI PRIROČNIK	278
<b>(SK)</b> 350 W PÁSOVÁ PÍLA S PRACOVNÝM SVETLOM	NÁVOD NA POUŽITIE	291
<b>(EL)</b> ΠΡΙΟΝΟΚΟΡΔΕΛΑ ΜΕ ΦΩΣ ΕΡΓΑΣΙΑΣ 350W	ΟΔΗΓΙΕΣ ΧΡΗΣΗΣ	305
<b>(TR)</b> 350W ÇALIŞMA IŞIKLI ŞERİT TESTERE	KULLANIM KILAVUZU	321
<b>(UK)</b> СТРИЧКОВА ПИЛКА З РОБОЧОЮ ЛАМПОЮ 350BT	ПОСІБНИК ОПЕРАТОРА	334

**EN** ORIGINAL INSTRUCTIONS | **FR** TRADUCTION DES INSTRUCTIONS ORIGINALES | **DE** ÜBERSETZUNG DER ORIGINALANLEITUNG | **ES** TRADUCCIÓN DE LAS INSTRUCCIONES ORIGINALES | **IT** TRADUZIONE DELLE ISTRUZIONI ORIGINALI | **NL** VERTALING VAN DE ORIGINELE INSTRUCTIES | **PT** TRADUÇÃO DAS INSTRUÇÕES ORIGINAIS | **DA** OVERSETTELSE AF DE ORIGINALE INSTRUKTIONER | **SV** ÖVERSÄTTNING AV DE URSprungliga INSTRUKTIONERNA | **FI** ALKUPERÄISTEN OHJEIDEN SUOMENNOIS | **NO** OVERSETTELSE AV DE ORIGINALE INSTRUKSJONENE | **RU** ПЕРЕВОД ОРИГИНАЛЬНЫХ ИНСТРУКЦИЙ | **PL** TŁUMACZENIE INSTRUKCJI ORYGINALNEJ | **CS** PŘEKLAD ORIGINÁLNÍCH POKYŇŮ | **HU** AZ EREDETI ÚTMUTATÓ FORDÍTÁSA | **RO** TRADUCEREA INSTRUCȚIUNILOR ORIGINALE | **LV** TULKOTS NO ORIGINĀLĀS INSTRUKCIJAS | **LT** ORIGINALIŲ INSTRUKCIJŲ VERTIMAS | **ET** ORIGINALJUHENDI TÕLGE | **HR** PRIJEVOD ORIGINALNIH UPUTA | **SL** PREVOD ORIGINALNIH NAVODIL | **SK** PŘEKLAD POKYŇOV V ORIGINÁLI | **EL** ΜΕΤΑΦΡΑΣΗ ΤΩΝ ΠΡΩΤΟΤΥΠΩΝ ΟΔΗΓΙΩΝ | **TR** ORJUNAL TALIMATLARIN TERCÜMESİ | **UK** ПЕРЕКЛАД ОРИГІНАЛЬНИХ ІНСТРУКЦІЙ





<b>Important!</b>	It is essential that you read the instructions in this manual before assembling, operating and maintaining the product.
<b>Attention!</b>	Il est essentiel que vous lisiez les instructions contenues dans ce manuel avant d'assembler, d'entretenir et d'utiliser le produit.
<b>Achtung!</b>	Es ist wichtig, dass Sie vor Zusammenbau, Wartung und Benutzung des Produktes die Anweisungen in dieser Anleitung lesen.
<b>¡Atención!</b>	Resulta fundamental que lea este manual de instrucciones antes de realizar el montaje, el mantenimiento y de utilizar este producto
<b>Attenzione!</b>	E' importante leggere le istruzioni contenute nel presente manuale prima di montare il prodotto, svolgere le operazioni di manutenzione sullo stesso e metterlo in funzione.
<b>Let op!</b>	Het is van essentieel belang dat u de instructies in deze gebruiksaanwijzing leest voor u het product monteert, onderhoudt en gebruikt.
<b>Atenção!</b>	É fundamental que leia as instruções deste manual antes da montagem, manutenção e operação do aparelho.
<b>OBS!</b>	Det er vigtigt, at man læser instrukserne i denne brugsanvisning, inden man samler, vedligeholder og betjener produktet.
<b>Observera!</b>	Det är viktigt att du läser instruktionerna i manualen före montering, användning och underhåll av produkten.
<b>Huomio!</b>	On tärkeää, että luet tämän käsikirjan ohjeet ennen tuotteen kokoamista, huoltoa ja käyttöä.
<b>Advarsel!</b>	Det er viktig at du leser instruksjonene i denne manualen før sammensetning, vedlikehold og bruk av produktet
<b>Внимание!</b>	Необходимо прочитать инструкции в данном руководстве перед сборкой, обслуживанием и эксплуатацией этого изделия.
<b>Uwaga!</b>	Koniecznienależyprzeczytaćinstrukcjezawartewtym podręczniku przed montażem, obsługą oraz konserwacją produktu.
<b>Důležitě upozornění!</b>	Neinstalujte, neprovádějte údržbu ani nepoužívejte tento výrobek dřívě, než si přečtete pokyny uvedené v tomto návodu.
<b>Figyelem!</b>	Fontos, hogy a termék összeszerelése, karbantartása és használatá elött elolvassa a kézikönyvben található utasításokat.
<b>Atenție!</b>	Este esențial să citiți instrucțiunile din acest manual înainte de asamblare, efectuarea întreținerii și operarea produsului.
<b>Uzmanību!</b>	Ir svarīgi izlasīt šīs rokasgrāmatas instrukcijas pirms uzstādīšanas, apkopes un precēs darbināšanas.
<b>Dėmesio!</b>	Prieš surenkant, prižiūrint ir naudojant gaminį, būtina perskaityti šiamė vadove pateiktus nurodymus.
<b>Tähtis!</b>	Enne masina kokkupanekut, hooldamist ja kasutama hakkamist tuleb käesolevas juhendis esitatud juhised kindlasti läbi lugeda.
<b>Upozorenje!</b>	Vrlo je važno da ste prije sklapanja, održavanja i rada s ovim proizvodom pročitali upute u ovom priručniku.
<b>Pomembno!</b>	Pomembno je da pred montažo vzdrževanjem in uporabo tega izdelka preberete navodila v tem priručniku.
<b>Upozornenie!</b>	Je dôležité, aby ste si pred montážou, údržbou a obsluhou produktu prečítali pokyny v tomto návode.
<b>Προσοχή!</b>	Είναι πολύ σημαντικό να διαβάσετε τις οδηγίες στο παρόν εγχειρίδιο πριν συναρμολογήσετε, συντηρήσετε ή λειτουργήσετε το προϊόν.
<b>Dikkat!</b>	Ürünün montajını, bakımını yapmadan ve ürünü çalıştırmadan önce bu kılavuzda yer alan talimatları okumanız önemlidir.
<b>Важливо!</b>	Дуже важливо, щоб ви читали інструкції в цьому керівництві перед складанням, обслуговуванням та експлуатацією цієї машини.

Subject to technical modification | Sous réserve de modifications techniques | Technische Änderungen vorbehalten | Bajo reserva de modificaciones técnicas | Con riserva di eventuali modifiche tecniche | Technische wijzigingen voorbehouden | Com reserva de modificações técnicas | Med förbehold for tekniske ændringer | Med förbehåll för tekniska ändringar | Tekniset muutokset varataan | Med förbehold om tekniske endringer | могут быть внесены технические изменения | Z zastrzeżeniem modyfikacji technicznych | Změny technických údajů vyhrazeny | A műszaki módosítás jogát fenntartjuk | Sub rezerva modificațiilor tehnice | Paturam tiesības mainīt tehniskos raksturlielumus | Pasiliekan teisę daryti techninius pakeitimus | Tehnilised muudatused võimalikud | Podloženo tehničkim promjenama | Tehnične spremembe dopuščene | Právo na technické zmeny je vyhradené | Υπό την επιφύλαξη τεχνικών τροποποιήσεων | Teknik değışiklik hakkı saklıdır | Є об'єктом для технічних змін



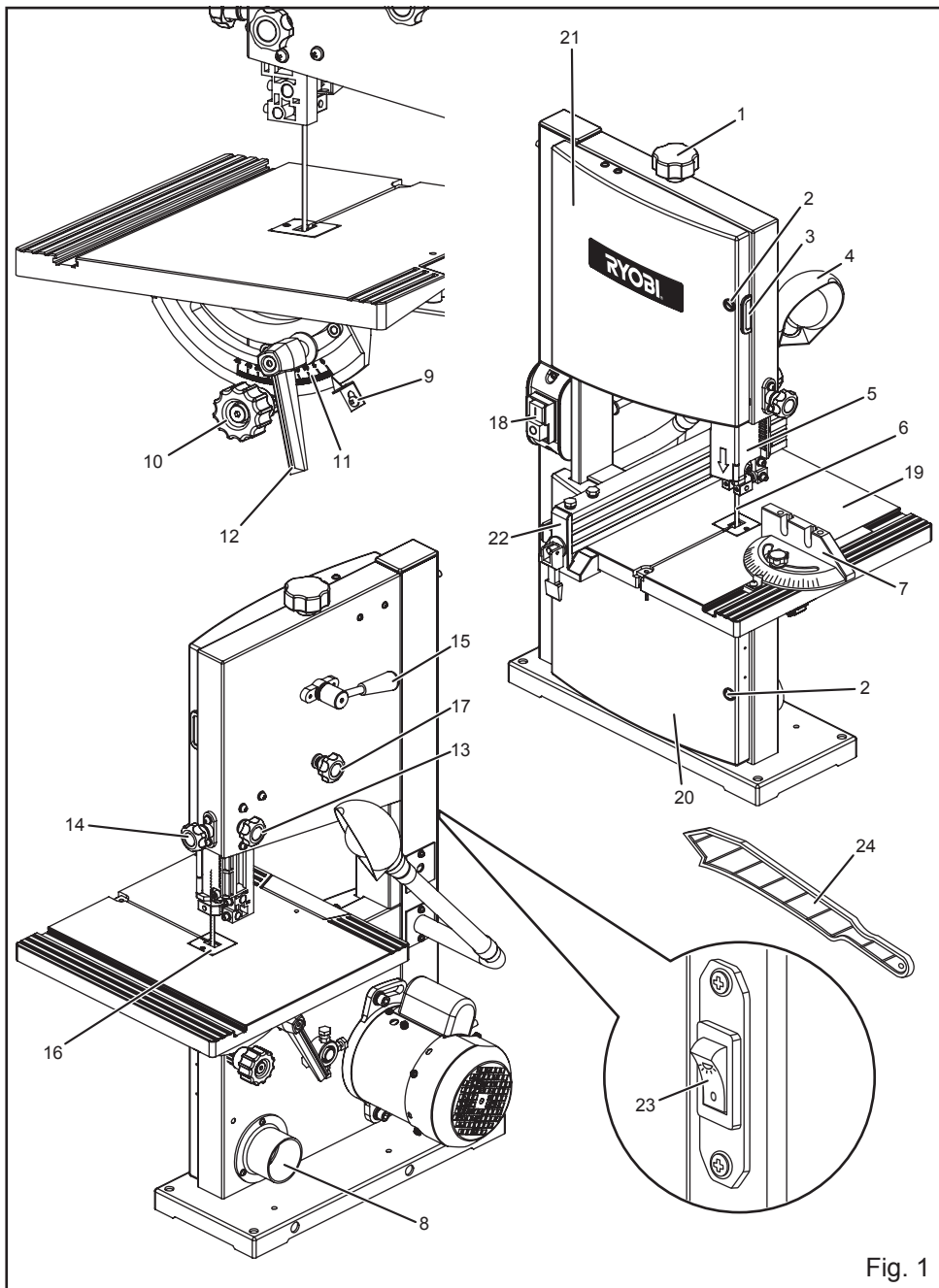
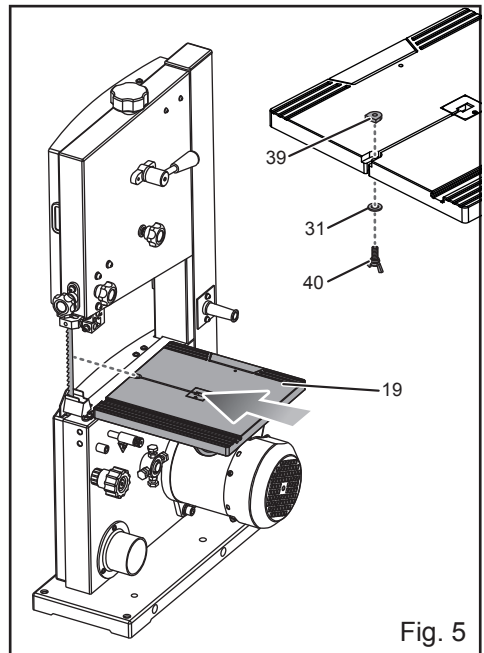
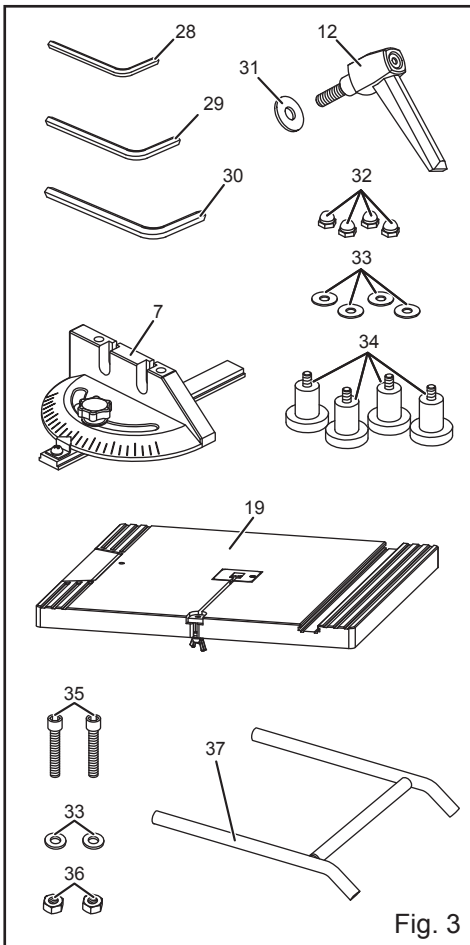
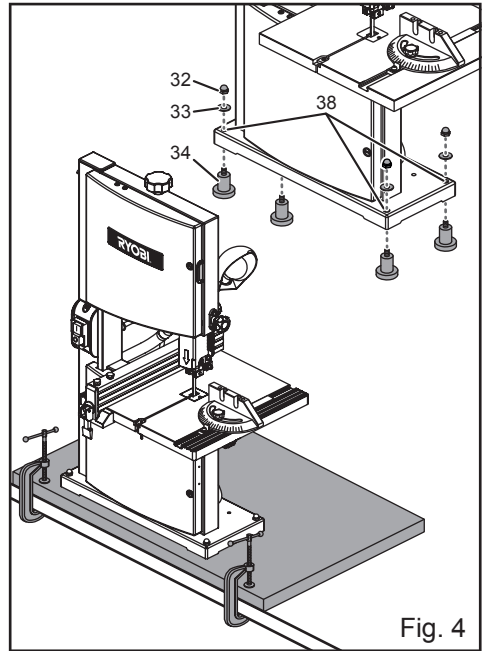
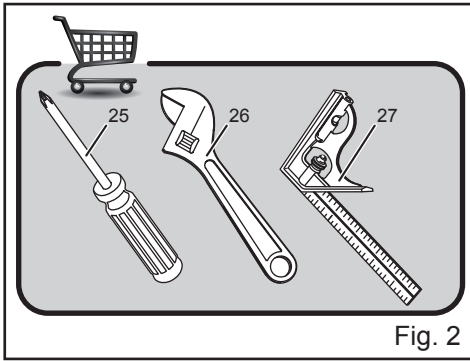


Fig. 1



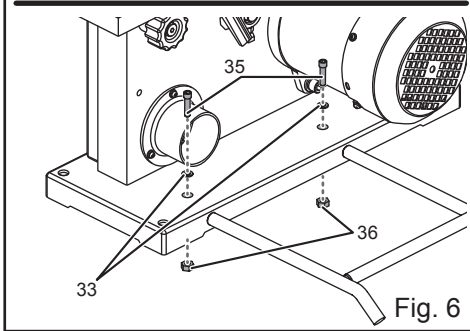
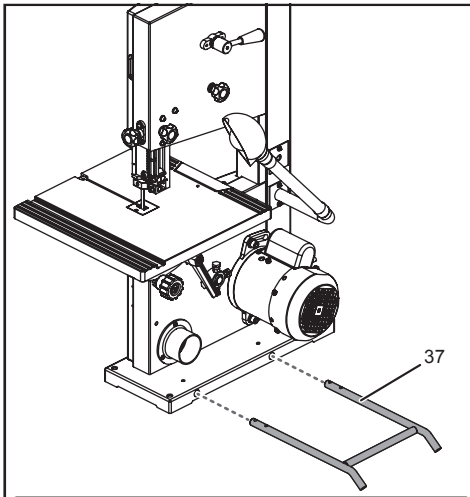


Fig. 6

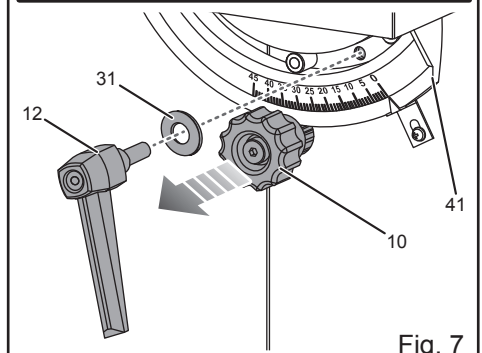
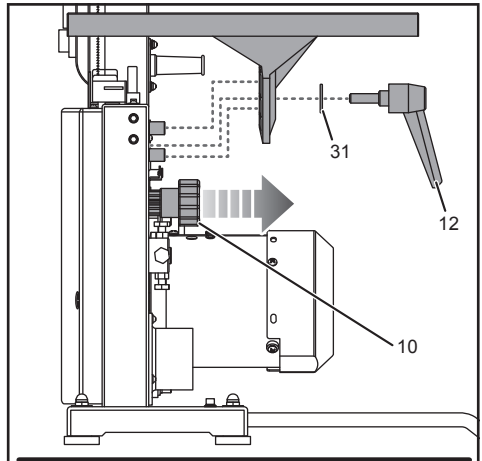


Fig. 7

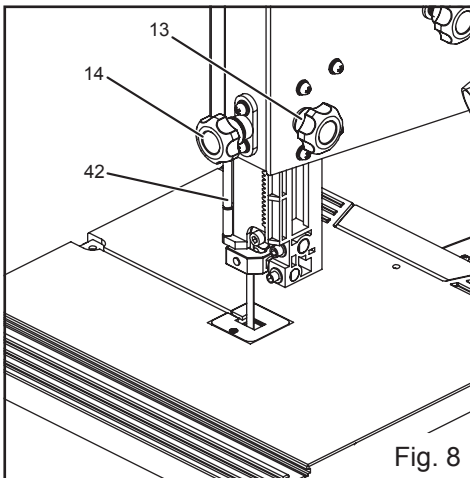


Fig. 8

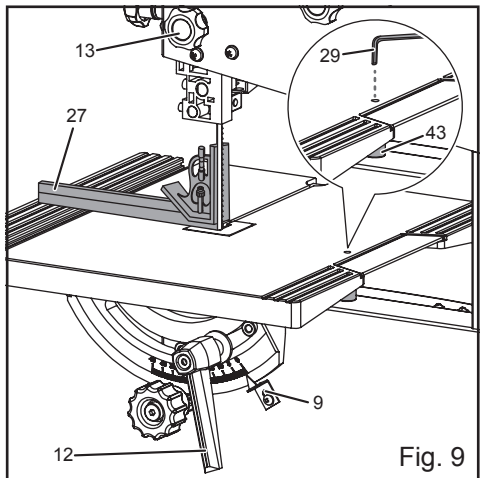


Fig. 9

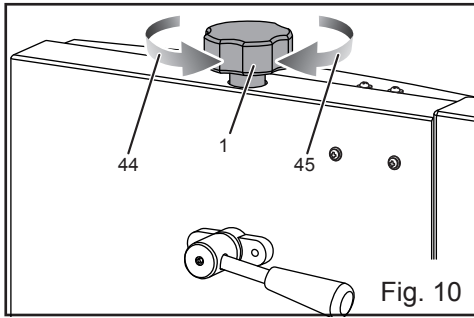


Fig. 10

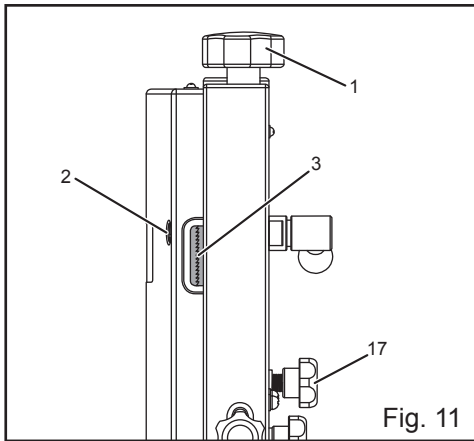


Fig. 11

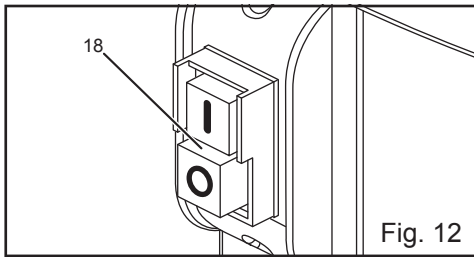


Fig. 12

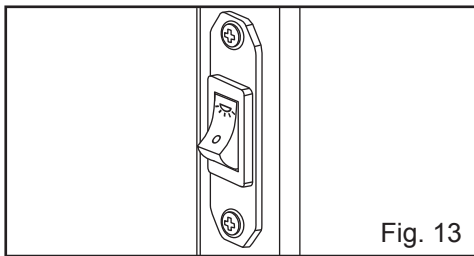


Fig. 13

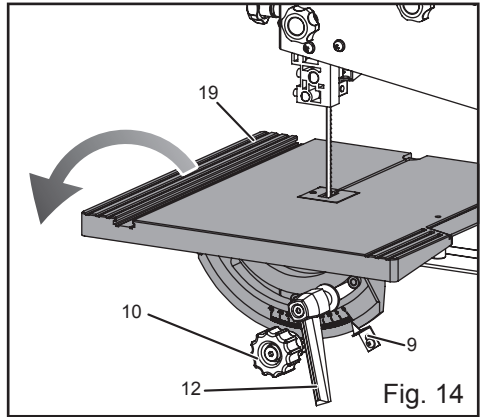


Fig. 14

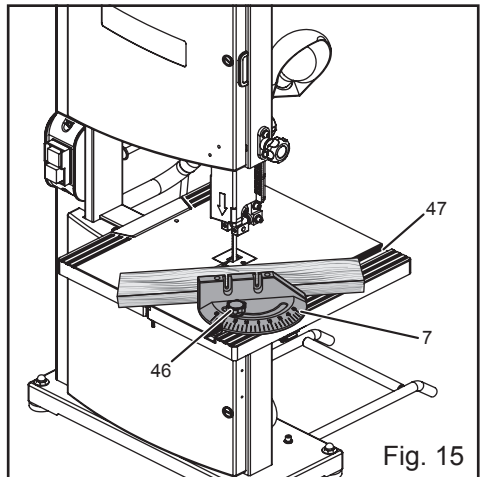


Fig. 15

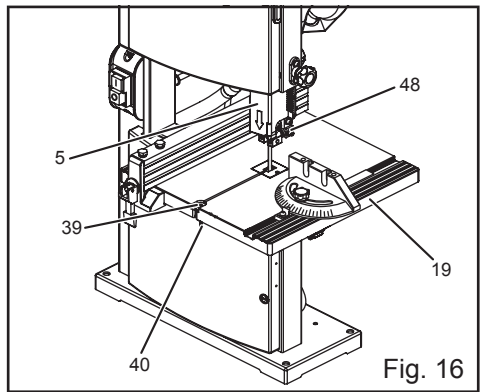


Fig. 16

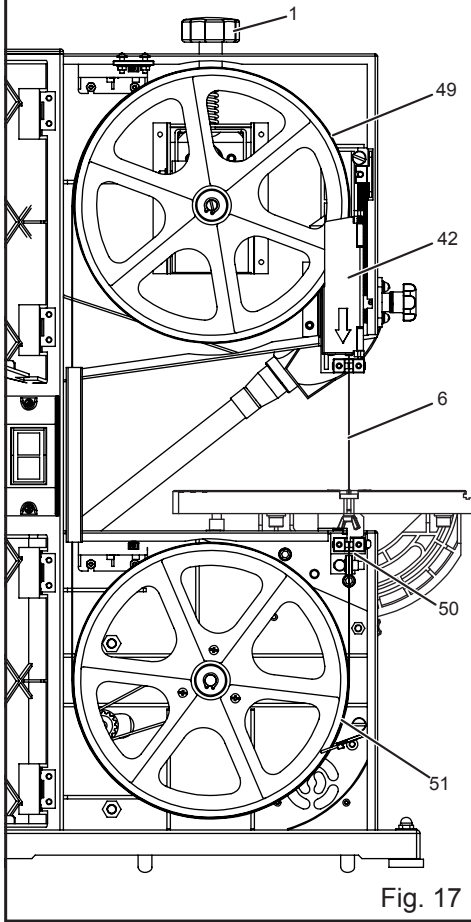
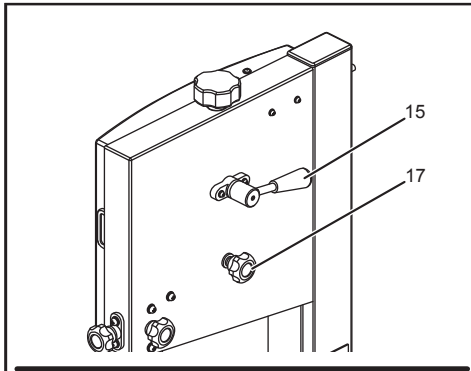


Fig. 17

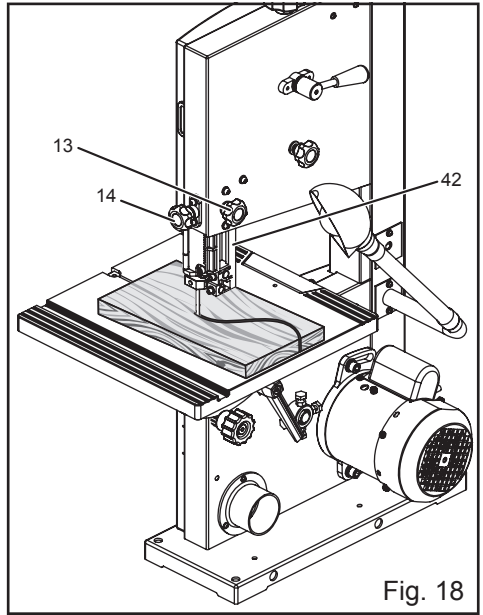


Fig. 18

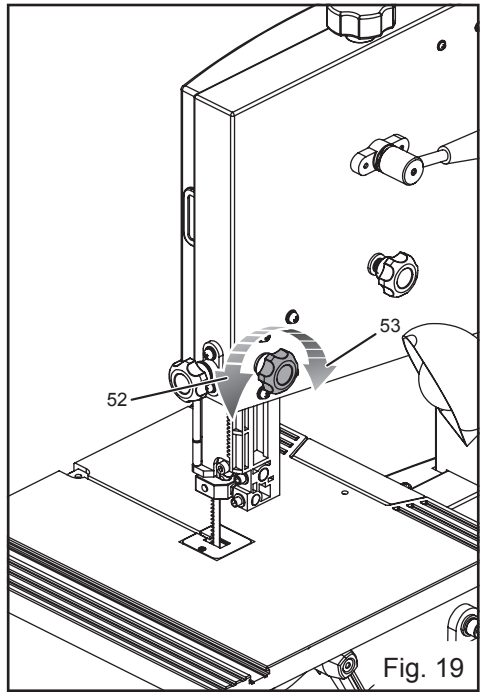


Fig. 19

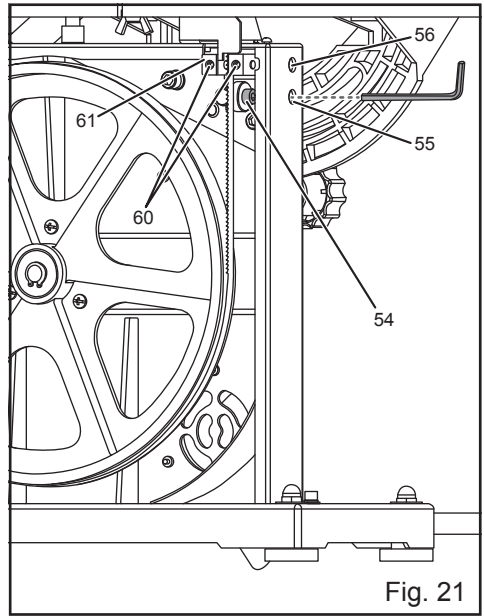
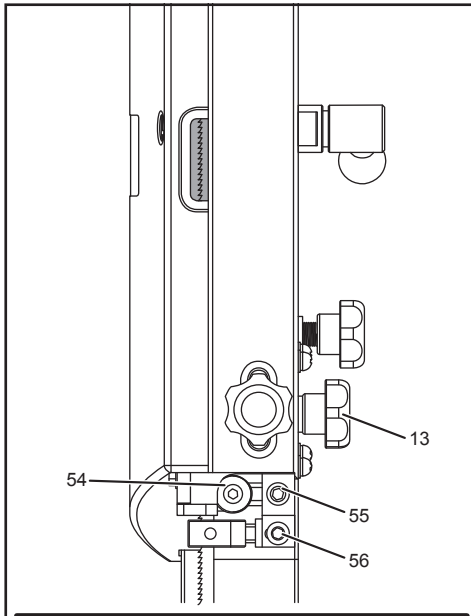


Fig. 21

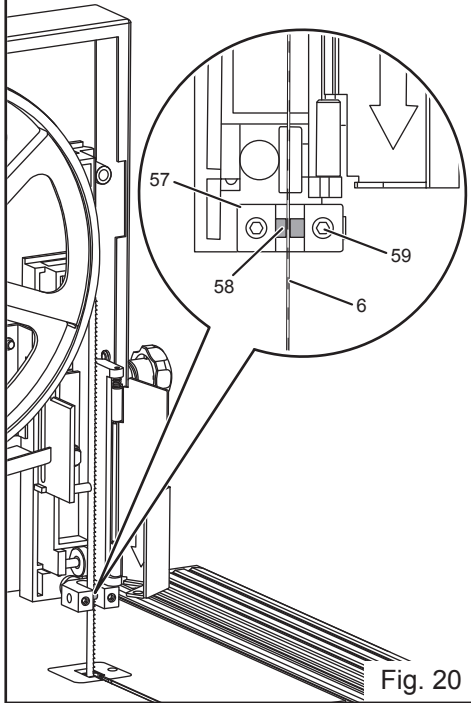


Fig. 20

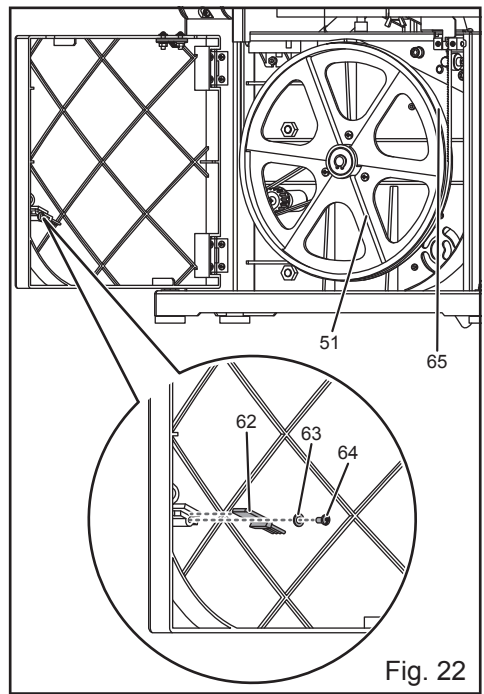


Fig. 22



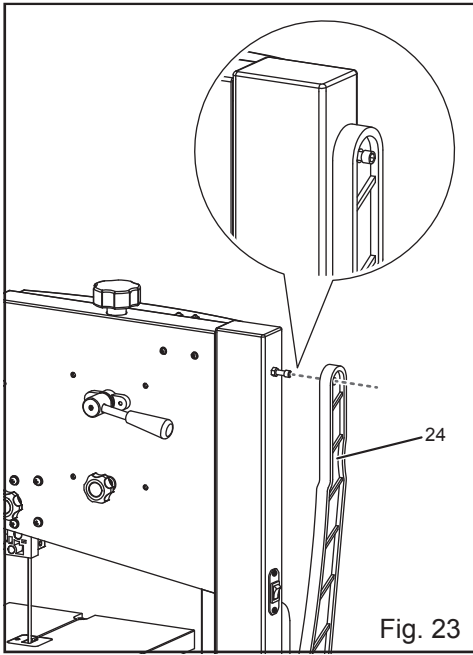


Fig. 23

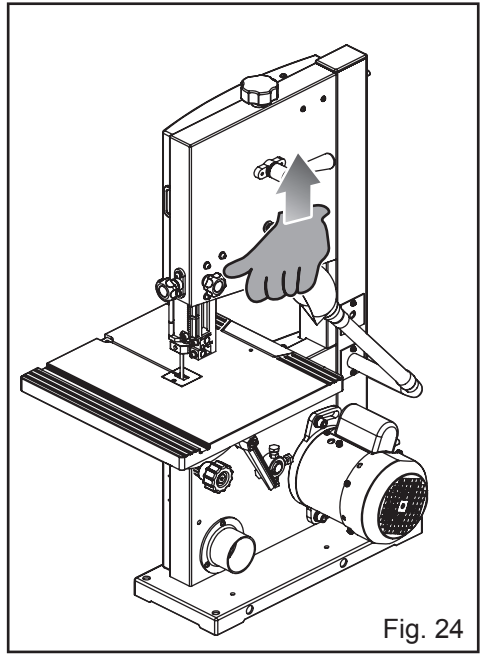


Fig. 24



## English

### DESCRIPTION

- |   |                               |
|---|-------------------------------|
| 1. Blade tension knob                       | 53. Lock                      |
| 2. Cover locking screw                      | 54. Thrust bearing            |
| 3. Tracking view window                     | 55. Thrust bearing screw      |
| 4. Work light                               | 56. Blade guide support screw |
| 5. Blade guard                              | 57. Upper blade guide support |
| 6. Saw blade                                | 58. Blade guide               |
| 7. Mitre gauge                              | 59. Blade guide set screw     |
| 8. Dust exhaust port                        | 60. Blade guide screw         |
| 9. Scale indicator                          | 61. Lower blade guide support |
| 10. Angle adjustment knob                   | 62. Brush                     |
| 11. Scale                                   | 63. Washer                    |
| 12. Table lock lever                        | 64. Screw                     |
| 13. Lock knob                               | 65. Tire                      |
| 14. Blade guide adjustment knob             |                               |
| 15. Blade tension lever                     |                               |
| 16. Throat plate                            |                               |
| 17. Tracking knob                           |                               |
| 18. ON/OFF switch                           |                               |
| 19. Saw table                               |                               |
| 20. Front-lower panel                       |                               |
| 21. Front-upper panel                       |                               |
| 22. Rip fence                               |                               |
| 23. Work light switch                       |                               |
| 24. Push stick                              |                               |
| 25. Phillips screwdriver (not included)     |                               |
| 26. Adjustable wrench (not included)        |                               |
| 27. Small combination square (not included) |                               |
| 28. Hex key, 3 mm                           |                               |
| 29. Hex key, 4 mm                           |                               |
| 30. Hex key, 5 mm                           |                               |
| 31. Washer                                  |                               |
| 32. Cap nuts                                |                               |
| 33. Washers                                 |                               |
| 34. Feet                                    |                               |
| 35. Lock bolts                              |                               |
| 36. Hex nuts                                |                               |
| 37. Support extension                       |                               |
| 38. Holes in saw base                       |                               |
| 39. D-nut                                   |                               |
| 40. Wing screw                              |                               |
| 41. Saw table bracket                       |                               |
| 42. Blade guide assembly                    |                               |
| 43. Adjusting bolt                          |                               |
| 44. To decrease tension                     |                               |
| 45. To increase tension                     |                               |
| 46. Lock knob                               |                               |
| 47. Mitre gauge slot                        |                               |
| 48. Phillips screws                         |                               |
| 49. Upper wheel                             |                               |
| 50. Lower blade guides                      |                               |
| 51. Lower wheel                             |                               |
| 52. Unlock                                  |                               |





## English

Safety, performance, and dependability have been given top priority in the design of your band saw.

### INTENDED USE

The band saw is intended for straight line cutting, scroll cutting and circle cutting of wood and wood-made products.

The product is intended to be used only by adult operators who have read the instruction manual and understand the risks and hazards.

The product is to be used in dry conditions, with excellent ambient lighting and adequate ventilation.

The product is intended for consumer use and should only be used as described above and is not intended for any other purpose.

### GENERAL SAFETY WARNINGS

#### ▲ WARNING

When using electric tools, basic safety precautions should always be followed to reduce the risk of fire, electric shock and personal injury. Read all these instructions before attempting to operate this product and save these instructions.

- **Keep work area clear.** Cluttered areas and benches invite injuries.
- **Consider work area environment.** Do not expose tools to rain. Do not use tools in damp or wet locations. Keep work area well lit. Do not use tools in the presence of flammable liquids or gases.
- **Guard against electric shock.** Avoid body contact with earthed or grounded surfaces (e.g., pipes, radiators, ranges, refrigerators).
- **Keep other persons away.** Do not let persons, especially children, be involved in the work, touch the tool or the extension cord, and keep them away from the work area.
- **Store idle tools.** When not in use, tools should be stored in a dry locked-up place, out of reach of children.
- **Do not force the tool.** It will do the job better and safer at the rate for which it was intended.
- **Use the right tool.** Do not force small tools to do the job of a heavy duty tool. Do not use tools for purposes not intended, for example, do not use circular saws to cut tree limbs or logs.
- **Dress properly.** Do not wear loose clothing or jewellery, they can be caught in moving parts. Non-skid footwear is recommended when working outdoors.

Wear protective hair covering to contain long hair.

- **Use protective equipment.** Use safety glasses. Use face or dust mask if working operations create dust.
- **Connect dust extraction equipment.** If the tool is provided for the connection of dust extraction and collecting equipment, ensure these are connected and properly used.
- **Do not abuse the cord.** Never yank the cord to disconnect it from the socket. Keep the cord away from heat, oil and sharp edges.
- **Secure work.** Where possible, use clamps or a vice to hold the work. It is safer than using your hand.
- **Do not overreach.** Keep proper footing and balance at all times.
- **Maintain tools with care.** Keep cutting tools sharp and clean for better and safer performance. Follow instruction for lubricating and changing accessories. Inspect tool cords periodically and if damaged, have them repaired by an authorized service facility. Inspect extension cords periodically and replace if damaged. Keep handles dry, clean and free from oil and grease.
- **Disconnect tools.** When not in use, before servicing and when changing accessories such as blades, bits and cutters, disconnect tools from the power supply.
- **Remove adjusting keys and wrenches.** Form the habit of checking to see that keys and adjusting wrenches are removed from the tool before turning it on.
- **Avoid unintentional starting.** Ensure switch is in "off" position when plugging in.
- **Use outdoor extension leads.** When the tool is used outdoors, use only extension cords intended for outdoor use and so marked.
- **Stay alert.** Watch what you are doing, use common sense and do not operate the tool when you are tired.
- **Check damaged parts.** Before further use of tool, it should be carefully checked to determine that it will operate properly and perform its intended function. Check for alignment of moving parts, binding of moving parts, breakage of parts, mounting and any other conditions that may affect its operation. A guard or other part that is damaged should be properly repaired or replaced by an authorized service centre unless otherwise indicated in this instruction manual. Have defective switches replaced by an authorized service centre. Do not use the tool if the switch does not turn it on and off.
- **Warning.** The use of any accessory or attachment other than the one recommended in this instruction manual may present a risk of personal injury.
- **Have your tool repaired by a qualified person.** This electric tool complies with the relevant safety rules. Repairs should only be carried out by qualified





## English

persons using original spare parts otherwise this may result in considerable danger to the user.

### BAND SAW SAFETY WARNINGS

- **Firmly clamp or bolt the saw to a work bench or leg stand** at approximately hip height.
- **Never operate the saw on the floor.**
- **Avoid awkward operations and hand positions** where a sudden slip could cause your hand to move into the blade. **Always** make sure you have good balance.
- **Allow the motor to come up to full speed** before starting a cut to avoid binding or stalling.
- **Do not use tool if switch does not turn it on and off.** Have defective switches replaced by an authorised service centre.
- **Replacement parts.** All repairs, whether electrical or mechanical, should be made by a qualified service technician at an authorised service centre.
- **When servicing** use only identical replacement parts. Use of any other parts may create a hazard or cause product damage.
- **Keep hands away from cutting area.** Do not hand hold pieces so small that your fingers go under the blade guard. Do not reach underneath work or in blade cutting path with your hands and fingers for any reason.
- **Never cut more than one piece at a time** or stack more than one workpiece on the saw table at a time.
- **Do not feed the material too quickly.** Do not force the workpiece against the blade.
- **Use only correct blades.** Use the right blade size and style for the material and the type of cut. Blade teeth should point down toward the table.
- **Always support large workpieces** while cutting to minimize risk of blade pinching and kickback. Saw may slip, walk or slide while cutting large or heavy boards.
- **Do not remove jammed cutoff pieces** until blade has stopped.
- **Do not use saw bands which are damaged or deformed.**
- **Replace the table insert when worn.**
- **Connect the product to a dust collecting device when sawing wood.**
- **Do not operate the product when the guard protecting the saw band is open.**
- **Select the saw band and the speed depending on the material to be cut.**
- **Do not clean the saw band whilst it is in motion.**
- **Wear gloves when handling the saw band and rough material.**
- **Use a push stick when straight cutting small work pieces using the fence.**
- **Transport the product with the band guard fully down and close to the table.**
- **Place the fence on the lower side of the table when bevel-cutting with the table inclined.**
- **Use a suitable holding device when cutting round or irregular shaped timber to prevent twisting of the work piece.**
- **Do not use guards for handling or transportation**
- **Adjust the adjustable guard as close to the work piece as practicable.**
- **Never touch blade** or other moving parts during use.
- **Before changing the setup and removing covers, guards or blades,** unplug the saw from the power source.
- **Hold the workpiece** firmly against the saw table.
- **To avoid accidental blade contact,** minimize blade breakage, and provide maximum blade support, always adjust the blade guide assembly to just clear the workpiece.
- **Keep blades clean, sharp, and with sufficient set.** Sharp blades minimize stalling and kickbacks.
- **Always turn off saw** before disconnecting it to avoid accidental starting when reconnecting to a power source.
- **Make sure work area has ample lighting** to see the work and that no obstructions will interfere with safe operation before performing any work using your saw.
- **The blade guides have been preset at the factory.** These settings are functional for some applications. We recommend that you check and adjust blade guide settings before first use of your saw. Refer to **Adjusting thrust bearings and blade guide support** procedures explained in the *Adjustments* section of this operator's manual.
- **Do not use tool to cut metal.**
- **This tool should have the following markings:**
  - a) wear eye protection.
  - b) keep fingers away from the blade.
  - c) do not remove jammed or cutoff pieces until the blade has stopped.
  - d) be sure blade is installed with teeth pointing down.
  - e) maintain proper adjustment of the blade tension, blade guides, and thrust bearings.
  - f) adjust the upper guide to just clear the workpiece.
  - g) hold the workpiece firmly against the table when cutting.





## English

- **If the power supply cord is damaged**, it must be replaced only by the manufacturer or by an authorised service centre to avoid risk.
- **Save these instructions.** Refer to them frequently and use them to instruct other users. If you loan someone this tool, loan them these instructions also.

### ELECTRICAL

#### EXTENSION CORDS

Use only 3-wire extension cords that have 3-prong grounding plugs and 3-pole receptacles that accept the product's plug. When using a power tool at a considerable distance from the power source, use an extension cord heavy enough to carry the current that the product will draw. An undersized extension cord will cause a drop in line voltage, resulting in a loss of power and causing the motor to overheat.

Before using an extension cord, inspect it for loose or exposed wires and cut or worn insulation.

**⚠ WARNING**

Keep the extension cord clear of the working area. Position the cord so that it will not get caught on lumber, tools, or other obstructions while you are working with a power tool. Failure to do so can result in serious personal injury.

**⚠ WARNING**

Check extension cords before each use. If damaged replace immediately. Never use the product with a damaged cord since touching the damaged area could cause electrical shock resulting in serious injury.

#### ELECTRICAL CONNECTION

This product is powered by a precision-built electric motor. It should be connected to a power supply that is **230-240 V, AC only (normal household current), 50 Hz**. Do not operate this product on direct current (DC). A substantial voltage drop will cause a loss of power and the motor will overheat. If the product does not operate when plugged into an outlet, double check the power supply.

#### SPEED AND WIRING

The no-load speed of this product is approximately 11 m/s. This speed is not constant and decreases under a load or with lower voltage. For voltage, the wiring in a shop is as important as the motor's input power rating. A line intended only for lights cannot properly carry a power tool motor. Wire that is heavy enough for a short distance will be too light for a greater distance. A line that can support

one power tool may not be able to support two or three products.

#### GROUNDING INSTRUCTIONS

This product must be grounded. In the event of a malfunction or breakdown, grounding provides a path of least resistance for electric current to reduce the risk of electric shock. This product is equipped with an electric cord having an equipment-grounding conductor and a grounding plug. The plug must be plugged into a matching outlet that is properly installed and grounded in accordance with all local codes and ordinances.

Do not modify the plug provided. If it will not fit the outlet, have the proper outlet installed by a qualified electrician. Repair or replace a damaged or worn cord immediately.

#### RESIDUAL RISKS

Even when the product is used as prescribed, it is still impossible to completely eliminate certain residual risk factors. The following hazards may arise and the operator should pay special attention to avoid the following:

- kick-back of work pieces or parts of work pieces due to improper adjustment or handling
- damage to the respiratory system  
**NOTE:** Wear respiratory protection masks containing filters appropriate to the materials being worked. Ensure adequate workplace ventilation. Do not eat, drink or smoke in the work area.
- damage to hearing if effective hearing protection is not worn.

#### SPECIFICATIONS

Product Specifications	
Input voltage	230-240 V, 50 Hz.
Power	350 W
Motor type	Induction
No load speed	11 m/sec
Blade width	6.35 mm (1/4")
Blade length	1572 mm (62")
Frame to blade capacity	230 mm (9")
Cutting thickness capacity	80 mm (3-1/8")
Table size	305 mm x 305 mm (12" x 12")
Dust port	53 mm (2-1/8")





**English**

Work-light power	15 W, 230 V
Net weight	19.6 kg
Measured values determined according to EN61029	
A-weighted sound pressure level	$L_p = 84.0 \text{ dB(A)}$
Uncertainty K	3 dB(A)
Measured values determined according to EN61029	
A-weighted sound power level	$L_W = 89.5 \text{ dB(A)}$
Uncertainty K	3 dB(A)
Replacement parts	
Band saw blade 6TPI	5132003123
Band saw blade 14TPI	5132003114

**KNOW YOUR BAND SAW**

See Figure 1.

The safe use of this product requires an understanding of the information on the tool and in this operator's manual as well as a knowledge of the project you are attempting. Before use of this product, familiarize yourself with all operating features and safety rules.

**ANGLE ADJUSTMENT KNOB**

Tilts the saw table for bevel cutting.

**BLADE GUARD**

Protects the operator from coming in contact with the blade.

**BLADE GUIDE ADJUSTMENT KNOB**

Use the blade guide adjustment knob to adjust the blade guide assembly up and down, and to keep the blade from twisting or breaking. Always lock the blade guide assembly in place before turning on the band saw.

**BLADE GUIDES**

Upper and lower blade guides helps keep the blade from twisting during operation.

**DUST EXHAUST PORT**

A 53 mm (2-1/8") dust exhaust port makes dustless cutting possible. Attach a dust bag (not included) or a shop vac to the dust exhaust port.

**COVER LOCKING SCREW**

Allows front cover to be opened for making adjustments.

**MITRE GAUGE**

This gauge aligns the wood for a crosscut. The easy-to-read indicator shows the exact angle for a mitre cut at 15°, 30°, 45° and 60°.

**RAPIDSET™ BLADE TENSION LEVER**

Controls blade tension when changing blades and making adjustments for various sawing applications.

**SAW BLADE**

Saw comes with a standard 6.35 mm (1/4") blade.

**SAW TABLE WITH THROAT PLATE**

Your band saw has a saw table with tilt control. The throat plate, installed in the saw table at the factory, allows for blade clearance.

**SCALE AND SCALE INDICATOR**

The scale and scale indicator show the angle or degree the saw table is tilted for bevel cutting.

**TABLE LOCK LEVER**

Loosening the table lock lever allows the saw table to be tilted at different angles. Tightening the table lock lever locks the saw table in place.

**TRACKING KNOB**

Adjusts tracking to keep blade centred on the wheels.

**TRACKING VIEW WINDOW**

The tracking view window makes tracking adjustments easier to see.

**PUSH STICK**

Always use the push stick to feed the workpiece until it is clear of the table.

**LOOSE PART LIST**

Description	Quantity
Washers	7
Table lock lever	1
Hex key, 3 mm	1
Hex key, 4 mm	1
Hex key, 5 mm	1
Mitre gauge	1
Acorn nuts	4
Feet	4





**English**

Saw table	1
Locking bolts	2
Hex nuts	2
Extension support	1
Rip fence	1
Push stick	1
Operator's manual	1

**ASSEMBLY**

**UNPACKING**

This product requires assembly.

- Carefully lift the saw from the carton and place on a level work surface.

**⚠ WARNING**

Do not use this product if any parts on the Loose Part List are already assembled to your product when you unpack it. Parts on this list are not assembled to the product by the manufacturer and require customer installation. Use of a product that may have been improperly assembled could result in serious personal injury.

- Inspect the tool carefully to make sure no breakage or damage occurred during shipping. **NOTE:** This saw has been shipped with no blade tension. Do not turn this saw on until blade tension has been properly set.
- Do not discard the packing material until you have carefully inspected and satisfactorily operated the tool.
- If any parts are damaged or missing, please call your service centre for assistance.

**⚠ WARNING**

If any parts are damaged or missing do not operate this product until the parts are replaced. Use of this product with damaged or missing parts could result in serious personal injury.

**⚠ WARNING**

Do not attempt to modify this tool or create accessories not recommended for use with this tool. Any such alteration or modification is misuse and could result in a hazardous condition leading to possible serious personal injury.

**⚠ WARNING**

Do not connect to power supply until assembly is complete. Failure to comply could result in accidental starting and possible serious personal injury.

**MOUNTING BAND SAW TO WORKBENCH**

If the band saw is to be used in a permanent location, the band saw must be mounted to a firm supporting surface such as a workbench. Four bolt holes have been provided in the saw's base for this purpose. Bolts (not included) should be of sufficient length to accommodate the saw base, lock washers (not included), hex nuts (not included), and the thickness of the workbench. Tighten all four bolts securely.

Carefully check the workbench after mounting to make sure that no movement can occur during use. If any tipping, sliding, or walking is noted, secure the workbench to the floor before operating.

- Place band saw on the workbench. Using the saw base as a pattern, locate and mark the holes where the band saw is to be mounted.
- Drill holes through the workbench.
- Place band saw on the workbench aligning holes in the saw base with the holes drilled in the workbench.
- Insert bolts (not included) and tighten securely with lock washers and hex nuts (not included). **NOTE:** all bolts should be inserted from the top. Install the lock washers and hex nuts from the underside of the bench.

**CLAMPING BAND SAW TO WORKBENCH**

See Figure 4.

If the band saw is to be used as a portable tool, it is recommended that you fasten it permanently to a mounting board that can easily be clamped to a workbench or other supporting surface. The mounting board should be of sufficient size to avoid tipping of saw while in use. Any good grade plywood or chipboard with a 19 mm (3/4") Thickness is recommended.

If lag bolts are used, make sure they are long enough to go through holes in the saw base and material the saw is being mounted to. If machine bolts are being used, make sure bolts are long enough to go through holes in the saw base, the material being mounted to, and the lock washers





## English

and hex nuts.

**NOTE:** it may be necessary to countersink hex nuts and washers on bottom side of mounting board.

- Mount saw to board using holes in saw base as a template for hole pattern. Locate and mark the holes where the band saw is to be mounted.
- Follow the last three steps in the section **Mounting Band Saw to Workbench**, shown above.

### MOUNTING THE SAW TABLE

See Figures 5, 7.

- Remove the d-nut, washers, and wing screw on the saw table.
- Standing at the front of the band saw, slide the saw table past the blade and through the slot moving from the right side of the saw table to the left.
- Holding the saw table with your left hand while pulling the angle adjustment knob away from the saw frame, align the teeth on the saw table bracket into the teeth on the angle adjustment knob. Release the knob.
- Fit the pins on the frame into the slots of the saw table bracket.
- Insert the washer on the threaded end of the table lock lever. Tighten the saw table to the saw frame by turning the table lock lever clockwise.
- Attach the d-nut, washers, and wing screw to the saw table.

**NOTE:** the wing screw goes below the saw table.

### INSTALLING EXTENSION SUPPORT

See Figure 6.

- Insert the tubes of the extension support into the holes in the saw base from the rear.
- Align the holes on the tubes and those on the saw base.
- Insert locking bolts and tighten with washers and hex nuts.

### SQUARING THE SAW TABLE TO THE BLADE

See Figures 8 - 9.

- Turn the lock knob counterclockwise to unlock the blade guide assembly. Turning the blade guide adjustment knob clockwise, raise the blade guide assembly as far as it will go. Turn the lock knob clockwise to retighten.
- Place a small combination square on the saw table beside the blade.
- Loosen the table lock lever and rotate the angle adjustment knob to tilt the saw table up or down to align table 90° to blade (0° position). Retighten the table lock lever.

- Turn the adjusting bolt until the bolt just touches the saw housing.
- Check squareness of the saw table to the blade. Make readjustments if necessary.
- Set scale indicator to zero and tighten screw with a phillips screwdriver.

**NOTE:** always make a test cut to insure the squareness of the blade prior to beginning any new project. If not square, it may be necessary to loosen the screws under the saw table to make the adjustment (mitre slot must be parallel to the saw blade). Once square, retighten screws.

### ADJUSTING BLADE TENSION

See Figures 10-11.

- Switch off the saw.
- Before using the band saw, turn the blade tension knob on the top of the saw clockwise to engage tension.
- Note: adjustments of blade tension can be made at anytime.
- Pluck the back straight edge of the saw blade like a guitar string while turning the tension knob.

Sound becomes higher pitched as tension increases. Never increase blade tension so tight as to completely compress the spring. When completely compressed, the spring can no longer act as a shock absorber.

Too much tension may cause the blade to break. Thicker workpieces require higher tension; maximum tension is not needed for all cuts. Too little tension may cause the blade to slip on the wheels.

### TRACKING THE BLADE

See Figure 11.

Adjust blade tension properly before making tracking adjustments. Check that blade guides do not interfere with the blade. Blade gullet (the deepest part of the blade tooth) should be in the centre of the tire.

#### To adjust:

Disconnect from power. Open front covers by unscrewing the cover locking screw. Watch the blade's position on the upper tire as, by hand, you slowly turn the upper wheel clockwise. If the blade moves away from the centre of the tire, the tracking must be adjusted.

#### If the blade has moved left or right of centre:

- Turn the blade tracking knob (clockwise if blade has moved left; counterclockwise if blade has moved right) while turning the wheel by hand until the blade moves back and rides in the centre of the tire.
- Check the position of the blade on the lower tire. The blade should be completely on the tire (gullet of the blade teeth in the centre). If not, adjust the tracking







## English

until the blade is on both tires.

- Rotate the upper wheel by hand in a clockwise direction for a few more turns. Make sure the blade stays in the same location on the tires. Readjust, if necessary, until blade is tracking properly.
- Close front covers and tighten cover locking screw.
- Switch on the saw.
- Verify saw blade is centred on the tire (through the tracking view window). If not centred, repeat above steps.

### ⚠ WARNING

The blade guides have been preset at the factory. These settings are functional for some applications. We recommend that you check and adjust blade guide settings before first use of your saw. Refer to **Adjusting Blade Guide Support and Thrust Bearings** procedures explained in the "Adjustment" section of this operator's manual.

### INSTALLING THE RIP FENCE

- Place the rip fence on the left side of the saw table, with the lock handle at the front.
- Push down the lock handle to lock the position of the rip fence.
- Turn the lock handle to adjust tightness of the clamps.

### OPERATION

### ⚠ WARNING

Do not allow familiarity with the product to make you careless. Remember that a careless fraction of a second is sufficient to inflict serious injury.

### ⚠ WARNING

Always wear eye protection. Failure to do so could result in objects being thrown into your eyes, resulting in possible serious injury.

### ⚠ WARNING

Do not use any attachments or accessories not recommended by the manufacturer of this product. The use of attachments or accessories not recommended can result in serious personal injury.

### ⚠ WARNING

To avoid blade contact, adjust the blade guide assembly to just clear the workpiece. Failure to do so could result in serious personal injury.

### ⚠ WARNING

Never operate saw without the blade guard secured and the front covers locked. To do so could result in serious personal injury.

### BASIC OPERATION OF THE BAND SAW

A band saw is basically a "curve cutting" machine that can also be used for straight-line cutting operations like cross cutting, mitring, beveling, compound cutting, and resawing. When using the band saw for straight line cutting, the user can install a fence using an appropriately sized piece of wood clamped to the table with "C" clamps. It is not capable of making inside or non-through cuts.

Before starting a cut, watch the saw run. If you experience excessive vibration or unusual noise, stop immediately. Turn the saw off and unplug the saw. Do not restart until locating and correcting the problem.

### CUTTING PROCEDURES

- Hold the workpiece firmly against the saw table.
- Use gentle pressure and both hands when feeding the work into the blade. Do not force the work; allow the blade to cut.
- The smallest diameter circle that can be cut is determined by blade width. A 6.35 mm (1/4") wide blade will cut a minimum diameter of 38 mm (1-1/2").
- Keep your hands away from the blade. Do not hand hold pieces so small your fingers will go under the blade guard.
- Avoid awkward operations and hand positions where a sudden slip could cause serious injury from contact with the blade. Never place hands in blade path.
- Use extra supports (tables, saw horses, blocks, etc.) when cutting large, small, or awkward workpieces.
- Never use a person as a substitute for a table extension or as additional support for a workpiece that is longer or wider than the basic saw table.
- When cutting irregularly shaped workpieces, plan your work so it will not pinch the blade. For example, a piece of molding must lay flat on the saw table. Workpieces must not twist, rock, or slip while being cut.

When backing up the workpiece, the blade may bind in the kerf (cut). This is usually caused by sawdust clogging the kerf or when the blade comes out of the guides. If this happens:





## English

- Switch off the saw. Wait until the saw has come to a full and complete stop. Unplug the saw from the power source.
- Wedge the kerf open with a flat screwdriver or wooden wedge.
- Open front cover and turn the upper wheel by hand while backing up the workpiece.

### RELIEF CUTS

Relief cuts are made when an intricate curve (too small a radius for the blade) is to be cut. Cut through a scrap section of the workpiece to curve in pattern line then carefully back the blade out. Several relief cuts should be made for intricate curves before following the pattern line as sections are cut off of curve "relieving" blade pressure.

### SCROLL CUTTING

For general type scroll cutting, follow the pattern lines by pushing and turning the workpiece at the same time. Do not try to turn the workpiece while engaged in the blade without pushing it – the workpiece could bind or twist the blade.

### REMOVING JAMMED MATERIAL

Never remove jammed cutoff pieces until the blade has come to a full and complete stop.

- Switch off the saw. Wait until the saw has come to a full and complete stop.
- Unplug the saw from the power source before removing jammed material.

### AVOIDING INJURY

- Make sure saw is level and does not rock. Saw should always be on a firm, level surface with plenty of room for handling and properly supporting the workpiece.
- Bolt saw to the support surface to prevent slipping, walking, or sliding during operations like cutting long, heavy boards.
- Switch off the saw and unplug cord from the power source before moving the saw.
- Do not remove jammed cutoff pieces until blade has come to a full and complete stop.
- Choose the right size and style blade for the material and type of cut you plan to do.
- Make sure that the blade teeth point down toward the saw table, that the blade guides, thrust bearings, and blade tension are properly adjusted, that the blade guide knob is tight, and that no parts have excessive play.
- To avoid accidental blade contact, minimize blade breakage, and provide maximum blade support, always adjust the blade guide assembly to just clear

the workpiece.

- Use only recommended accessories.
- With the exception of the workpiece and related support devices, clear everything off the saw table before turning the saw on.
- Properly support round materials such as dowel rods or tubing because they have a tendency to roll during a cut causing the blade to "bite". To avoid this, always use a "V" block or clamp workpiece to a mitre gauge.
- Before removing loose pieces from the saw table, switch off the saw and wait for all moving parts to stop.

### SWITCHING ON/OFF THE PRODUCT

See Figure 12.

- Press **I** to switch on the product.
- Press **O** to switch off the product.


### BEFORE LEAVING THE SAW

See Figure 12.

- Switch off the saw. Wait until the saw has come to a full and complete stop.
- Unplug the saw from the power source.
- Make workshop childproof.
- Release the tension from the saw blade using the Rapidset™ blade tension lever to prolong the life of the blade.
- Lock the shop.

### SWITCHING ON/OFF THE WORK LIGHT

See figure 13.

- Press  to switch on work light.
- Press **O** to switch off work light.

### TILTING THE TABLE

See Figure 14.

- Loosen the table lock knob slightly.
- Turn the angle adjustment knob, tilting the saw table until it reaches the desired angle.
- Using the scale indicator, check angle markings.
- Retighten the table lock knob to hold saw table securely in place.

### USING THE MITRE GAUGE

See Figures 15 - 16.

The mitre gauge can be set 60° maximum to the right or left.

- Loosen the lock knob on the mitre gauge.
- With the mitre gauge in the mitre gauge slot, rotate the gauge until the desired angle is reached on the





## English

index scale.

- Retighten the lock knob.

### USING THE RIP FENCE

The rip fence is used for all ripping operations. Never rip freehand without the fence in place and securely locked.

- Position the fence to the desired width of the rip and lock it in place.
- Before starting to rip, be sure the rip fence is parallel to the saw blade. When ripping long boards or large panels, always use a work support.
- Hold the piece against the fence and feed it through the saw blade with a smooth, steady pressure.

### ADJUSTMENTS

#### WARNING

Before performing any adjustment, make sure the tool is unplugged from the power supply and the switch is in the off position. Failure to heed this warning could result in serious personal injury.

#### WARNING

To avoid personal injury, maintain proper adjustment of blade tension, blade tracking, blade guides, and thrust bearings.

### INSTALLING AND ADJUSTING THE BLADE

See *Figure 17*.

- Loosen and remove the wing screw, washers, and D-nut from the saw table.
- Open the front covers by unscrewing the cover locking screw.
- Turn the lock knob counterclockwise to unlock the blade guide assembly. Turning the blade guide knob (clockwise raises the blade guide assembly; counterclockwise lowers it), position the blade guide assembly about halfway between the saw table and saw housing. Retighten the lock knob.
- Open the blade guard by pulling the left side of the guard out and away from the wheel.
- Release all blade tension from the blade.
- Carefully remove the old blade.
- Wearing gloves, carefully uncoil the new blade at arms length. If the new blade was oiled to prevent rusting, it may need to be wiped to keep the oil from your workpiece. Carefully wipe in the same direction the teeth are pointing so the rag does not catch on the

teeth of the saw blade.

**NOTE:** The blade may need to be turned inside out if the teeth are pointing in the wrong direction. Hold the blade with both hands and rotate it inward.

- With the teeth of the blade toward the left of the saw and facing downward, place the blade through the lower blade guides and around both wheels.
- Slowly turn the upper wheel to the right or clockwise by hand to centre the blade on the rubber tires.
- Re-engage the RapidSet™ blade tension lever then adjust the blade tension; check or adjust the blade tracking.
- Adjust both upper and lower blade guides and thrust bearings as explained later in this Operator's Manual.
- Reattach the wing screw, washers, and D-nut. Tighten securely.
- Close the blade guard and front cover. Tighten the cover locking screw.

### ADJUSTING BLADE GUIDE ASSEMBLY

See *Figures 18 - 19*.

To prevent the blade from twisting or breaking, the blade guide assembly should always be set approximately 3.2 mm (1/8") above the workpiece.

- Turn the lock knob counterclockwise to unlock the blade guide assembly.
- As a guide, use a scrap piece of the same wood you are about to cut to set the height of the blade guide assembly. Adjust the blade guide assembly by turning the blade guide knob.
- Lock blade guide assembly in place by turning the lock knob clockwise.
- Always lock the blade guide assembly in place before turning on the band saw.

### ADJUSTING BLADE GUIDE SUPPORT AND THRUST BEARINGS

See *Figures 20 - 21*.

**NOTE:** Tighten the lock knob and refer to **Adjusting Blade Tension** and **Tracking the Blade** procedures explained in the ASSEMBLY section of this operator's manual prior to making adjustments.

The upper and lower blade thrust bearings support and bearing guides the saw blade during cutting operations. The adjustment of the bearings and guides should be checked whenever a different blade is installed.

#### To adjust thrust bearings:

The thrust bearings support the back edge of the blade during cutting. The blade should not contact the thrust bearings when you stop cutting. It is important that both





## English

upper and lower thrust bearings be adjusted equally.

- Open the front covers and blade guard.
- Using a hex key, loosen the upper and lower thrust bearing screws and push thrust bearings to the back of the saw.
- Verify that saw blade is tracking correctly, then slide the thrust bearing forward until the bearing is within 0.4 mm (1/64") of the blade. Tighten the thrust bearing screw securely.
- Slide lower bearing forward until it has proper clearance. Tighten the thrust bearing screw securely.

### To adjust blade guide support:

- Loosen the blade guide support and blade guide set screws using hex keys.
- Slide the upper blade guide support on the shaft until the front edge of the guides contact the saw blade behind the gullet. Tighten the screw securely.
- Push the right guide to contact the blade and release. Slowly rotate wheel one full rotation. Tighten blade guide set screws.
- Adjust left side guide to allow 0.4 mm (1/64") clearance between the blade and guide (about the thickness of a playing card) by inserting a playing card between left guide and blade.
- Apply pressure to left guide pin to hold the playing card in place. Tighten set screw and remove the playing card.
- Rotate, by hand, a full three rotations to make sure blade will not bind.
- Close the blade guard and front cover. Lock with screw.

Repeat this procedure for the lower blade guide support.

### ADJUSTING THE RIP FENCE

- Loosen the lock handle by turning it counterclockwise.
- Move the rip fence to the desired position.
- Push down the lock handle to lock the position of the rip fence.
- Turn the lock handle to adjust tightness of the clamps.

### MAINTENANCE

#### WARNING

When servicing, use only identical replacement parts. Use of any other parts can create a hazard or cause product damage.

#### WARNING

Always wear eye protection during product operation. If operation is dusty, also wear a dust mask.

#### WARNING

Before performing any maintenance, make sure the tool is unplugged from the power supply and the switch is in the off position. Failure to heed this warning could result in serious personal injury.

### GENERAL MAINTENANCE

Avoid using solvents when cleaning plastic parts. Most plastics are susceptible to damage from various types of commercial solvents and may be damaged by their use. Use clean cloths to remove dirt, dust, oil, grease, etc.

#### WARNING

Do not at any time let brake fluids, gasoline, petroleum-based products, penetrating oils, etc., come in contact with plastic parts. Chemicals can damage, weaken or destroy plastic which may result in serious personal injury.

- Keep your band saw clean.
- Remove sawdust from the inside frequently.
- Do not allow pitch to accumulate on the saw table, blade guides, or thrust bearings. Clean them with gum and pitch remover.
- Apply a thin coat of automobile type wax to the saw table's top so the wood slides easily while cutting.

### Lubrication

All of the bearings in this tool are lubricated with a sufficient amount of high grade lubricant for the life of the unit under normal operating conditions. Therefore, no further lubrication is required.

### TIRES

#### Cleaning tires:

- Pitch and sawdust accumulates on tires and needs to be removed with a fine wire brush or a piece of wood. **Do not** use a sharp knife or any kind of solvent.

#### Replacing tires:

- Open front cover and remove saw blade. See section on **Installing and Adjusting the Blade**.
- Pry the worn tire away from the wheel carefully.
- Stretch the new tire around the wheel.





## English

- Replace the saw blade and close the front cover.

### BRUSH

See Figure 22.

There is a brush located inside the saw housing next to the wheel. It helps protect the tire and wheel by brushing off saw dust. As the brush becomes worn, it will need to be adjusted or replaced.

- Remove the screw and washer then pull the brush off.
- Place the new brush in the groove.
- Reinstall using the washer and screw.

### TRANSPORTATION AND STORAGE

See Figures 23 - 24.

- When transporting the product, disconnect the power cord, lower the blade guard and unmount the product. Store the push stick on the side of upper housing. Lift the product by the upper housing as shown. Store the product in a secure place which is not accessible to children.
- Clean the product using a brush and vacuum cleaner before storage.

### ENVIRONMENTAL PROTECTION



Recycle raw materials instead of disposing of as waste. The machine, accessories and packaging should be sorted for environmental-friendly recycling.

### SYMBOL



Safety alert



CE conformity



Please read the instructions carefully before starting the product.



Wear eye protection.



Wear ear protection.



Danger! Sharp blade.



Lock



Unlock



Maximum cutting depth



Maximum cutting width



Maximum cutting angle



Operating speed



Blade size



The tool shall be disconnected from the supply before maintenance.



Waste electrical products should not be disposed of with household waste. Please recycle where facilities exist. Check with your Local Authority or retailer for recycling advice.





## English

### TROUBLE SHOOTING

PROBLEM	CAUSE	SOLUTION
Motor will not run.	<ol style="list-style-type: none"> <li>1. Problem with ON/OFF switch or power cord.</li> <li>2. Motor defective.</li> <li>3. Blade is binding.</li> </ol>	<ol style="list-style-type: none"> <li>1. Have worn parts replaced before using the product again.</li> <li>2. Do not attempt any repair. Have tool repaired by a qualified service technician.</li> <li>3. Remove jammed material.</li> </ol>
Blade does not run in the approximate centre of the upper wheel.	<ol style="list-style-type: none"> <li>1. Not tracking properly.</li> </ol>	<ol style="list-style-type: none"> <li>1. Adjust tracking, See ADJUSTMENTS section, "Tracking the Blade".</li> <li>2. Have tool repaired by a qualified service technician.</li> </ol>
Band saw slows down when cutting.	<ol style="list-style-type: none"> <li>1. Cutting too small a radius.</li> <li>2. Dull blade.</li> </ol>	<ol style="list-style-type: none"> <li>1. Stop feeding and back up the cutting material slightly until the band saw speeds up.</li> <li>2. Replace blade.</li> </ol>
Blade breaking.	<ol style="list-style-type: none"> <li>1. Too much blade tension.</li> <li>2. Kink in blade caused by cutting too small radius or turning the material too fast when cutting.</li> <li>3. Thrust bearings scarred or not rotating.</li> </ol>	<ol style="list-style-type: none"> <li>1. Adjust tension. See ADJUSTMENTS section, "Adjusting Blade Tension".</li> <li>2. Use correct cutting technique. See Operation section.</li> <li>3. Replace the thrust bearings.</li> </ol>
Saw is noisy when running.	<ol style="list-style-type: none"> <li>1. Too much blade tension.</li> <li>2. Blade guides and bearings are in contact with the blade.</li> </ol>	<ol style="list-style-type: none"> <li>1. Adjust tension. See ADJUSTMENTS section, "Adjusting Blade Tension".</li> <li>2. Adjust upper and lower blade guides and bearings. See ADJUSTMENTS sections, "Adjusting Thrust Bearings and Blade Guide Support".</li> </ol>
Blade will not cut straight.	<ol style="list-style-type: none"> <li>1. Blade guides and bearings not properly adjusted.</li> <li>2. Worn or defective blade.</li> </ol>	<ol style="list-style-type: none"> <li>1. Adjust upper and lower blade guides and bearings. See ADJUSTMENTS sections, "Adjusting Thrust Bearings and Blade Guide Support".</li> <li>2. Replace blade.</li> </ol>
Blade guides will not stay in position.	<ol style="list-style-type: none"> <li>1. Blade guide screws have loosened.</li> </ol>	<ol style="list-style-type: none"> <li>1. Tighten blade guide screws securely.</li> </ol>
Motor runs but blade does not turn	<ol style="list-style-type: none"> <li>1. Tension not set properly.</li> <li>2. Drive belt broken.</li> </ol>	<ol style="list-style-type: none"> <li>1. Use blade tension lever to set tension.</li> <li>2. Have tool repaired by a qualified service technician.</li> </ol>





## Français

### DESCRIPTION

- |   |  |
|---|--|
| 1. Bouton de tension de la lame           | 53. Verrouillage                       |
| 2. Vis de verrouillage du couvercle       | 54. Palier de butée                    |
| 3. Fenêtre témoin                         | 55. Vis de palier de butée             |
| 4. Lampe de travail                       | 56. Vis du support du guide de lame    |
| 5. Protège-lame                           | 57. Support supérieur du guide de lame |
| 6. Lame de scie                           | 58. Guide de lame                      |
| 7. Guide d'onglet                         | 59. Vis de fixation du guide de lame   |
| 8. Évacuation des poussières              | 60. Vis du guide de lame               |
| 9. Indicateur de graduation               | 61. Support inférieur du guide de lame |
| 10. Bouton de réglage de l'angle          | 62. Pinceau                            |
| 11. Graduation                            | 63. Rondelle                           |
| 12. Levier de verrouillage de la table    | 64. Vis                                |
| 13. Bouton de verrouillage                | 65. Pneumatique                        |
| 14. Bouton de réglage du guide de la lame |  |
| 15. Levier de serrage de la lame          |  |
| 16. Plaque à gorge                        |  |
| 17. Molette de calage de la bande         |  |
| 18. Interrupteur marche/arrêt             |  |
| 19. Table découpe                         |  |
| 20. Panneau inférieur avant               |  |
| 21. Panneau supérieur avant               |  |
| 22. Guide longitudinal                    |  |
| 23. Interrupteur de la lampe de travail   |  |
| 24. Tige de poussée                       |  |
| 25. Tournevis cruciforme (non compris)    |  |
| 26. Clé à molette (non compris)           |  |
| 27. Petite équerre combinée (non compris) |  |
| 28. Clé hexagonale, 3 mm                  |  |
| 29. Clé hexagonale, 4 mm                  |  |
| 30. Clé hexagonale, 5 mm                  |  |
| 31. Rondelle                              |  |
| 32. Écrous à chapeau                      |  |
| 33. Rondelles                             |  |
| 34. Pieds                                 |  |
| 35. Vis de verrouillage                   |  |
| 36. Écrous hexagonaux                     |  |
| 37. Extension du support                  |  |
| 38. Trous dans la base de coupe           |  |
| 39. Écrou borgne                          |  |
| 40. Vis à ailettes                        |  |
| 41. Fixation de la table découpe          |  |
| 42. Groupe du guide de lame               |  |
| 43. Boulon de réglage                     |  |
| 44. Pour diminuer la tension              |  |
| 45. Pour augmenter la tension             |  |
| 46. Bouton de verrouillage                |  |
| 47. Fente du guide d'onglet               |  |
| 48. Vis cruciformes                       |  |
| 49. Roue supérieure                       |  |
| 50. Guides de lame inférieurs             |  |
| 51. Roue inférieure                       |  |
| 52. Déverrouillage                        |  |





## Français

Votre scie à bande a été conçue en donnant priorité à la sécurité, à la performance et à la fiabilité.

### UTILISATION PRÉVUE

La scie à bande est conçue pour couper en ligne droite, en courbe et en cercle le bois et des objets en bois.

L'outil est conçu pour être utilisé par des adultes qui ont lu le mode d'emploi et comprennent les risques et dangers.

La scie doit être utilisée par conditions sèches, sous un excellent éclairage ambiant et avec une ventilation adéquate.

Ce produit n'est destiné qu'à une utilisation par des particuliers et ne doit être utilisé que comme décrit ci-dessus, à l'exclusion de toute autre utilisation.

### AVERTISSEMENTS GÉNÉRAUX DE SÉCURITÉ

#### AVERTISSEMENT

Lors de l'utilisation d'appareils électriques, il convient de respecter certaines précautions de sécurité de base afin de réduire les risques d'incendie, de décharge électrique et de blessure. Lisez toutes les instructions avant de tenter d'utiliser l'appareil et conservez ce manuel.

- **Gardez la zone de travail propre.** Les établis et les zones de travail encombrés sont propices aux blessures.
- **Prenez en considération l'environnement de travail.** N'exposez pas les outils à la pluie. N'utilisez pas d'outils en environnement humide ou mouillé. Gardez la zone de travail bien éclairée. N'utilisez pas d'outils en présence de gaz ou de liquides inflammables.
- **Protégez-vous des décharges électriques.** Évitez que votre corps entre en contact avec des surfaces reliées à la terre (par ex. tuyaux, radiateurs, cuisinières, réfrigérateurs).
- **Éloignez les autres personnes.** Ne laissez pas d'autres personnes, en particulier des enfants, intervenir dans votre travail ou toucher l'outil ou son câble d'alimentation, et éloignez-les de la zone de travail.
- **Rangez les outils inutilisés.** Les outils non utilisés doivent être rangés en un endroit sec, verrouillé et hors de portée des enfants.
- **Ne faites pas forcer l'outil.** Il effectuera un meilleur travail dans de meilleures conditions de sécurité s'il est utilisé dans les limites de ses capacités.
- **Utilisez un outil approprié.** Ne forcez pas sur un petit

outil dans le but de lui faire effectuer un travail pour lequel un outil de plus grande puissance serait mieux adapté. N'utilisez pas un outil pour un usage pour lequel il n'a pas été conçu, par exemple, ne tentez pas de couper des branches ou des bûches à l'aide d'une scie circulaire.

- **Habillez-vous de manière adaptée.** Ne portez pas de vêtements ou de bijoux amples, ils pourraient être happés par des pièces en mouvement. Il est recommandé de porter des chaussures antidérapantes lorsque vous travaillez à l'extérieur. Contenez les cheveux longs avec une protection adaptée.
- **Utilisez des équipements de protection.** Portez des lunettes de sécurité. Portez un masque facial ou un masque antipoussière si l'opération produit de la poussière.
- **Connectez un dispositif d'aspiration des poussières.** Si un outil est prévu pour être relié à un dispositif d'aspiration et de collecte des poussières, assurez-vous que ce dispositif est en place et qu'il est utilisé de façon correcte.
- **Ne maltraitez pas le cordon.** Ne tirez jamais sur le câble d'alimentation pour le débrancher du secteur. Tenez le câble d'alimentation éloigné de la chaleur, des graisses et des bords coupants.
- **Sécurisez le travail.** Lorsque cela est possible, bloquez la pièce à travailler dans un étau ou avec des serre-joints. Ceci est plus sûr que d'utiliser votre main.
- **Ne travaillez pas en extension.** Gardez une position et un équilibre adaptés à tout moment.
- **Entretenez soigneusement les outils.** Gardez les outils de coupe propres et bien affûtés pour de meilleures performances et une sécurité accrue. Suivez les instructions concernant la lubrification et le changement d'accessoires. Vérifiez périodiquement les câbles d'alimentation des outils et faites-les remplacer par un service après-vente agréé en cas de dommage. Vérifiez régulièrement les rallonges électriques et remplacez-les en cas de dommage. Gardez les poignées propres, sèches, et exemptes d'huile et de graisse.
- **Débranchez les outils.** Débranchez les outils du secteur lorsque vous ne les utilisez pas, avant de les entretenir et lorsque vous en changez des accessoires tels que lames, forets et accessoires de coupe.
- **Retirez les clés et outils de réglage.** Prenez l'habitude de vérifier que les clés et outils de réglage ont été retirés de l'outil avant de le mettre en marche.
- **Prévenez les mises en marche accidentelles.** Assurez-vous que l'interrupteur est en position « off » (arrêt) avant de brancher l'outil.
- **Utilisez des rallonges prévues pour un usage extérieur.** Lorsque vous utilisez un outil à l'extérieur,







## Français

n'utilisez que des rallonges prévues pour être utilisées à cet effet et marquées comme telles.

- **Restez vigilant.** Regardez ce que vous faites et faites preuve de bon sens. N'utilisez pas d'outils lorsque vous êtes sous l'influence de la drogue, de l'alcool ou de médicaments.
- **Vérifiez qu'aucune pièce n'est endommagée.** Avant de continuer à utiliser l'outil, vérifiez-le avec soin pour vous assurer qu'il peut fonctionner correctement et remplir sa fonction initiale. Vérifiez que les pièces en mouvement sont bien alignées et non tordues, qu'aucune pièce n'est cassée ou mal montée, et qu'aucun autre problème n'est susceptible d'affecter le bon fonctionnement de l'appareil. Une protection ou toute autre pièce endommagée doit être correctement remplacée ou réparée par un service après-vente agréé sauf avis contraire dans ce manuel d'utilisation. Faites remplacer les interrupteurs défectueux par un service après-vente agréé.
- **N'utilisez pas l'outil si son interrupteur marche/arrêt est inopérant.**
- **Avertissement.** L'utilisation d'accessoires ou d'additifs autres que ceux recommandés dans ce manuel peut entraîner un risque de blessures.
- **Faites réparer votre outil par du personnel qualifié.** Cet outil électrique est conforme aux règles de sécurité le concernant. Les réparations ne doivent être effectuées que par du personnel qualifié utilisant des pièces de rechange d'origine; dans le cas contraire, l'utilisateur s'exposerait à de graves dangers.

### AVERTISSEMENTS DE SÉCURITÉ RELATIFS À LA SCIE À BANDE

- **Fixez fermement ou vissez la scie sur l'établi ou le support à la hauteur de la hanche.**
- **Ne faites jamais fonctionner l'appareil à terre.**
- **Évitez les opérations peu commodes et les positions des mains qui les mettraient en contact avec la lame en cas de dérapage soudain.** Assurez-vous d'avoir toujours un bon équilibre.
- **Laissez le moteur atteindre sa pleine vitesse avant de commencer à découper pour éviter tout blocage ou tout décrochement.**
- **N'utilisez pas l'outil si son interrupteur marche/arrêt est inopérant.** Faites remplacer les interrupteurs défectueux par un service après-vente agréé.
- **Pièces de rechange.** Toutes les réparations, qu'elles soient électriques ou mécaniques, doivent être effectuées par un technicien de service qualifié dans un service après-vente agréé.
- **N'effectuez les réparations qu'en utilisant des pièces détachées identiques.** L'utilisation de toute

autre pièce est susceptible de présenter un danger ou d'endommager votre outil.

- **Gardez vos mains à l'écart de la zone de coupe.** Ne tenez pas à la main des pièces si petites que vos doigts passent sous le garde de lame. Ne placez sous aucun prétexte vos mains sous la coupe ou dans le chemin de coupe.
- **Ne coupez jamais plus d'une pièce à la fois et n'empilez pas plus d'une pièce à usiner sur la table de découpe à la fois.**
- **Ne déplacez pas les pièces trop rapidement.** Ne forcez pas la pièce à usiner contre la lame.
- **N'utilisez que des lames de coupe correctes.** Utilisez la bonne taille de lame et le bon style de lame pour les pièces et le type de découpe. Les dents de la lame doivent être tournées en direction de la table.
- **Soutenez toujours soutenir les grosses pièces à usiner pendant la découpe pour minimiser les risques de pincement et de rebond de la lame.** La scie peut glisser, se déplacer ou déraiper lors de la découpe des planches lourdes ou épaisses.
- **Ne tentez pas de retirer les pièces découpées coincées avant l'arrêt complet de la lame.**
- **N'utilisez pas des bandes de scie endommagées ou déformées.**
- **Remplacez la garniture de table si elle est usée.**
- **Reliez la scie à un système d'aspiration lorsque vous coupez du bois.**
- **Ne faites pas fonctionner l'appareil si le dispositif de protection protégeant la scie est ouvert.**
- **Choisissez la bande et la vitesse de la scie selon le matériau à découper.**
- **Ne nettoyez pas la bande de la scie quand elle est en mouvement.**
- **Portez des gants lorsque vous manipulez la bande de la scie et des matériaux bruts.**
- **Utilisez une tige de poussée lors de la coupe longitudinale de pièces longues et étroites avec le rebord.**
- **Transportez l'appareil avec la protection de bande totalement abaissé et près de la table.**
- **Placez le guide du côté inférieur de la table en cas de découpe biseautée avec la table inclinée.**
- **Utilisez un appareil de tenue adapté lors de la découpe de bois rond ou de forme irrégulière pour éviter de tordre la pièce à usiner.**
- **N'utilisez pas les protections pour manipuler ou transporter l'appareil.**
- **Ajustez la protection réglable aussi près de la pièce à usiner que possible.**
- **Ne touchez jamais la lame ni aucune autre partie**





## Français

en mouvement durant l'utilisation.

- Avant de changer les réglages et de retirer les couvercles, les protections ou les lames, débranchez la scie de son alimentation électrique.
- Maintenez toujours fermement la pièce à usiner contre la table.
- Pour éviter tout contact accidentel avec la lame, minimisez les cassures de lame et fournissez un support maximal à la lame. Réglez toujours le groupe du guide de lame de manière à simplement dégager la pièce à usiner.
- Gardez les lames propres, affûtées, et en nombre suffisant. Les lames bien affûtées minimisent les risques de blocage et de rebond.
- Arrêtez toujours la scie avant de la débrancher afin d'éviter toute mise en route accidentelle lorsque vous la branchez à nouveau.
- Assurez-vous que la zone de travail est suffisamment éclairée et qu'aucune gêne n'empêchera de travailler en toute sécurité avant de commencer tout travail avec la scie.
- Les guides de lame ont été réglés en usine. Ces réglages sont adaptés à certaines applications. Nous vous recommandons de vérifier et d'ajuster les réglages du guide de lame avant la première utilisation de votre scie. Reportez-vous aux procédures de réglage des paliers de butée et de support du guide de lame, qui sont expliquées au paragraphe RÉGLAGES de ce manuel.
- N'utilisez pas cet outil pour découper le métal.
- Cet outil devrait comporter les marquages suivants:
  - Portez une protection oculaire.
  - Gardez vos mains à l'écart de la lame.
  - Ne tentez pas de retirer les pièces découpées ou coincées avant l'arrêt complet de la lame.
  - Assurez-vous que la lame est installée avec les dents vers le bas.
  - Maintenez un réglage correct de la tension de la lame, des guides de lame et des paliers de butée.
  - Réglez le guide supérieur de manière à simplement dégager la pièce à usiner.
  - Maintenez fermement la pièce à usiner contre la table lors de la découpe.
- Si le câble d'alimentation est endommagé, il ne doit être remplacé que par le fabricant ou par un service après-vente agréé, pour éviter tout danger.
- Conservez ces instructions. Reportez-vous-y fréquemment et utilisez-les pour renseigner les autres utilisateurs. Si vous prêtez cet outil à quelqu'un, prêtez-lui également ce manuel.

### ÉLECTRICITÉ

#### RALLONGES

N'utilisez que des rallonges à 3 conducteurs ayant des prises à 3 broches que vous brancherez dans une prise secteur à 3 broches correspondant à la prise de l'appareil. Lorsque vous utilisez un outil électrique à une grande distance de la source d'alimentation, utilisez une rallonge d'une section suffisante pour transporter le courant dont aura besoin l'appareil. Une rallonge sous-dimensionnée provoquera une chute de tension, entraînant une perte de puissance et une surchauffe du moteur.

Avant d'utiliser une rallonge, examinez-la pour détecter des fils exposés ou desserrés, et une isolation usée ou coupée.

#### ⚠ AVERTISSEMENT

Gardez la rallonge éloignée de la zone de travail. Placez le câble de façon qu'il n'accroche pas de planches, d'outils, ou autres obstacles pendant que vous utilisez un outil électrique. Le non-respect de cette consigne peut entraîner des blessures graves.

#### ⚠ AVERTISSEMENT

Vérifiez les rallonges avant chaque utilisation. En cas de dommage, remplacez-les immédiatement. N'utilisez jamais un outil au un câble d'alimentation endommagé, car si vous veniez à entrer en contact avec la partie abîmée, vous pourriez subir une décharge électrique entraînant de graves blessures.

#### RACCORDEMENT ÉLECTRIQUE

Cet appareil est équipé d'un moteur électrique de précision. Il doit être connecté à une alimentation 220~240V, CA uniquement (alimentation secteur classique), 50 Hz. N'alimentez pas cet appareil en courant continu (CC). Une chute de tension substantielle provoquerait une perte de puissance et une surchauffe du moteur. Si l'appareil ne fonctionne pas une fois branché sur le secteur, vérifiez à nouveau l'alimentation électrique.

#### VITESSE ET CÂBLAGE

La vitesse à vide du produit est d'env. 11 m/s. Cette vitesse n'est pas constante et diminue en charge ou en cas de baisse de tension. Pour la tension, le câblage en atelier est aussi important que la puissance d'entrée nominale du moteur. Une ligne électrique prévue uniquement pour l'éclairage ne peut pas alimenter correctement un outil électrique. Un fil d'une section suffisante pour une courte longueur peut se révéler insuffisant pour une plus grande longueur. Une ligne électrique capable d'alimenter un outil électrique peut s'avérer incapable d'en alimenter deux ou





## Français

trois.

### INSTRUCTIONS DE MISE À LA TERRE

Cet appareil doit être relié à la terre. En cas de dysfonctionnement ou de panne, la mise à la terre procure un chemin d'écoulement du courant de moindre résistance qui réduit le risque de décharge électrique. Cet appareil est équipé d'un câble électrique avec fil de terre et d'une fiche avec broche de terre. La fiche doit être branchée dans une prise secteur correctement installée et reliée à la terre en accord avec les lois et codes locaux.

Ne modifiez pas la fiche fournie. Si elle ne correspond pas à votre prise secteur, faites installer une prise secteur adéquate par un électricien qualifié. Réparez ou remplacez immédiatement tout câble endommagé ou usé.

### RISQUES RÉSIDUELS

Même lorsque le produit est utilisé selon les prescriptions, il reste impossible d'éliminer totalement certains facteurs de risque résiduels. Les dangers suivants risquent de se présenter en cours d'utilisation et l'utilisateur doit prêter particulièrement garde aux points suivants :

- Rebond des pièces à couper et de fragments des pièces à couper dû à un mauvais réglage ou à une mauvaise manipulation.
- Atteinte du système respiratoire.  
**REMARQUE:** Portez un masque de protection respiratoire adapté aux matériaux coupés. Assurez une ventilation correcte à l'espace de travail. Ne mangez pas, ne buvez pas, et ne fumez pas dans l'espace de travail.
- Atteinte à l'audition en cas de non-port d'une protection auditive.

### APPRENEZ À CONNAÎTRE VOTRE PRODUIT

Voir figure 1.

L'utilisation en toute sécurité de ce produit nécessite de bien comprendre les informations apposées sur le produit et présentes dans ce manuel d'utilisation, ainsi que le travail à effectuer. Avant d'utiliser cet outil, familiarisez-vous avec toutes ses fonctionnalités et ses spécificités sur le plan de la sécurité.

#### BOUTON DE RÉGLAGE DE L'ANGLE

Incline la table de découpe pour une découpe en biseau.

#### PROTÈGE-LAME

Protège l'opérateur de tout contact avec la lame.

#### BOUTON DE RÉGLAGE DU GUIDE DE LA LAME

Utilisez le bouton de réglage du guide de lame pour faire monter ou descendre le groupe du guide de lame, et éviter de tordre ou de briser la lame. Verrouillez toujours le groupe du guide de lame en place avant de mettre en marche la scie à bande.

#### GUIDES DE LAME

Des guides de lame, inférieur et supérieur, empêchent la lame de se tordre en fonctionnement.

#### ÉVACUATION DES POUSSIÈRES

Un orifice d'évacuation des poussières de 53 mm rend possible une découpe sans poussière. Fixez un sac pour la poussière (non fourni) ou un aspirateur d'atelier à la sortie d'évacuation des poussières.

#### VIS DE VERROUILLAGE DU COUVERCLE

Laissez le couvercle avant ouvert pour faire les réglages.

#### GUIDE D'ONGLET

Ce dispositif aligne le bois pour une découpe transversale. L'indicateur, facile à lire, indique l'angle exact d'une coupe à onglet de 15°, 30°, 45° et 60°.

#### LEVIER DE SERRAGE DE LA LAME RAPIDSET™

Contrôle la tension de la lame lors du changement de lame et du réglage pour les diverses applications de sciage.

#### LAME DE SCIE

La scie est fournie avec une lame standard de 6,35 mm.

#### TABLE DE DÉCOUPE AVEC PLAQUE À GORGE

Votre scie à bande dispose d'une table de découpe avec un contrôle de l'inclinaison. La plaque à gorge, installée sur la table de découpe en usine, permet un dégagement de la lame.

#### GRADUATION ET INDICATEUR DE GRADUATION

La graduation et l'indicateur de graduation montrent l'angle ou le degré d'inclinaison de la table de découpe pour une coupe en biseau.

#### LEVIER DE VERROUILLAGE DE LA TABLE

Desserrer le levier de verrouillage de la table permet d'incliner la table de découpe à différents angles. Serrer le levier de verrouillage maintient la table de découpe en place.

#### MOLETTE DE CALAGE DE LA BANDE

Règle le guidage pour maintenir la lame centrée sur les roues.



## Français

### FENÊTRE TÉMOIN

La fenêtre témoin facilite le suivi des réglages.

### TIGE DE POUSSÉE

Utilisez toujours la tige de poussée pour déplacer la pièce à usiner jusqu'à dégagement de la table.

### LISTE DES DIFFÉRENTES PIÈCES

Description	Qté
Rondelles	7
Levier de verrouillage de la table	1
Clé hexagonale, 3 mm	1
Clé hexagonale, 4 mm	1
Clé hexagonale, 5 mm	1
Guide d'onglet	1
Écrous borgnes	4
Pieds	4
Table de découpe	1
Vis de verrouillage	2
Écrous hexagonaux	2
Support de rallonge	1
Guide longitudinal	1
Tige de poussée	1
Manuel d'utilisation	1

### MONTAGE

#### DÉBALLAGE

Cet appareil requiert un montage.

- Soulevez avec précaution le produit de l'emballage et placez-le sur une surface de travail plane.

#### ⚠ AVERTISSEMENT

N'utilisez pas cet appareil si une des pièces de la liste des pièces détachées est déjà montée sur l'appareil quand vous le déballez. Les pièces de cette liste ne sont pas assemblées par le fabricant et nécessitent une installation par le client. L'utilisation d'un appareil qui est susceptible d'avoir été mal assemblé peut entraîner des blessures graves.

- Inspectez soigneusement l'outil pour vous assurer qu'il n'a pas été cassé ou endommagé pendant la livraison. **NOTE:** Cette scie a été expédiée sans tension sur la lame. N'allumez pas cette scie avant d'avoir correctement réglé la tension de la lame.
- Ne jetez pas l'emballage avant d'avoir inspecté avec soin l'outil et avoir été satisfait de son fonctionnement.
- Si des pièces sont endommagées ou manquantes, veuillez appeler votre service après-vente pour obtenir de l'aide.

#### ⚠ AVERTISSEMENT

Si des pièces sont endommagées ou manquantes, ne faites pas fonctionner cet appareil avant d'avoir remplacé ces pièces. L'utilisation de ce produit avec des pièces endommagées ou manquantes peut entraîner de graves blessures.

#### ⚠ AVERTISSEMENT

Ne tentez pas de modifier cet outil ou de créer des accessoires dont l'utilisation n'est pas recommandée avec cet outil. Toute altération ou modification de la sorte constitue un mésusage et peut entraîner des situations risquées pouvant entraîner de graves blessures.

#### ⚠ AVERTISSEMENT

Ne branchez pas à l'alimentation électrique avant l'assemblage complet de l'appareil. Le non-respect de cette consigne peut entraîner un démarrage accidentel et de potentielles blessures graves.

### MONTAGE DU PRODUIT SUR UN ÉTABLI

S'il est prévu que l'appareil soit utilisé à un endroit de façon permanente, il doit être fixé à une surface de support solide, comme un établi. À cette fin, quatre trous de boulons sont disposés sur la base de la scie. Les boulons (non fournis) doivent être suffisamment longs pour accueillir la base de la scie, les rondelles de verrouillage (non fournies), les écrous hexagonaux (non fournis) et l'épaisseur de l'établi. Serrez fermement les quatre écrous.

Vérifiez minutieusement l'établi après montage pour vous assurer qu'aucun déplacement n'est possible lors du fonctionnement. Si vous constatez que l'établi bascule, glisse ou se déplace, fixez-le fermement au sol avant d'utiliser la scie.

- Placez l'appareil sur l'établi. À l'aide de la base de la scie, positionnez et marquez l'endroit des trous où l'appareil doit être installé.



## Français

- Percez les trous dans l'établi.
- Placez la scie à bande sur l'établi en alignant les trous de la base de la scie avec les trous percés dans l'établi.
- Insérez les boulons (non fournis) et serrez fermement avec des rondelles et des écrous hexagonaux (non fournis).  
**REMARQUE:** Tous les boulons doivent être insérés par le haut. Installez les rondelles et les écrous hexagonaux sous l'établi.

### FIXATION DU PRODUIT SUR UN ÉTABLI

Voir figure 4.

Si le produit doit être utilisé comme outil portatif, il est recommandé de le fixer de façon permanente sur une planche que vous pourrez aisément fixer à un établi ou tout autre support. La planche de montage doit avoir des dimensions suffisantes pour éviter le basculement de la scie quand elle fonctionne. Nous recommandons une planche de contreplaqué ou d'aggloméré de bonne qualité ayant une épaisseur de 19 mm.

Si vous utilisez des boulons tire-fond, assurez-vous qu'ils sont assez longs pour traverser la base de la scie et le matériau sur lequel la scie est fixée. Si vous utilisez des boulons mécaniques, assurez-vous qu'ils sont assez longs pour traverser la base de la scie et le matériau sur lequel la scie est fixée, les rondelles et les écrous hexagonaux.

**REMARQUE:** Il peut être nécessaire de fraiser les écrous hexagonaux et les rondelles du côté bas de la planche de fixation.

- Fixez la scie à la planche en utilisant les trous de la base comme modèle pour tracer les trous. Marquez les trous où la scie à bande doit être fixée.
- Suivez les trois dernières étapes du paragraphe Montage de l'appareil sur un établi, présenté précédemment.

### MONTAGE DE LA TABLE DE DÉCOUPE

Voir figures 5, 7.

- Retirez les écrous borgnes, les rondelles et la vis à ailettes de la table de découpe.
- En vous tenant devant la scie à bande, faites glisser la table de découpe derrière la lame et à travers la fente en allant de droite à gauche sur la table de découpe.
- En tenant la table de découpe de la main gauche tout en tirant sur le bouton de réglage de l'angle pour l'écarter du cadre de la scie, alignez les dents de scie sur la fixation de la table de découpe avec les dents sur le bouton de réglage de l'angle. Relâchez le bouton.
- Introduisez les broches du cadre dans les fentes de la fixation de la table de découpe.

- Mettez la rondelle sur le côté fileté du levier de verrouillage de la table. Serrez la table de découpe sur le cadre de découpe en faisant tourner dans le sens horaire le levier de verrouillage de la table.
- Remettez les écrous borgnes, les rondelles et la vis à ailettes sur la table de découpe.

**NOTE:** La vis à ailettes se place sous la table de découpe.

### INSTALLATION DU SUPPORT D'EXTENSION

Voir figure 6.

- Insérez les tubes du support d'extension dans les trous de la base de la scie depuis l'arrière.
- Alignez les trous sur les tubes avec ceux sur la base de la scie.
- Insérez les boulons de verrouillage et serrez avec des rondelles et des écrous hexagonaux.

### METTRE LA TABLE DE DÉCOUPE À ANGLE DROIT AVEC LA LAME

Voir figures 8 - 9.

- Faites tourner le bouton de verrouillage dans le sens antihoraire pour dégager le groupe de guide de lame. En faisant tourner le bouton de réglage du guide de lame dans le sens horaire, faites remonter le groupe du guide de lame aussi haut que possible. Faites tourner le bouton de verrouillage dans le sens horaire pour resserrer.
- Placez une petite équerre combinée sur la table de découpe, à côté de la lame.
- Desserrez le levier de verrouillage de la table et faites tourner le bouton de réglage de l'angle pour incliner la table de découpe afin de mettre à l'équerre la table et la lame (position 0°). Resserrez le levier de verrouillage de la table.
- Faites tourner le bouton de réglage jusqu'à ce qu'il touche à peine le logement de la scie.
- Vérifiez l'angle droit entre la table de découpe et la lame. Ajustez les réglages au besoin.
- Mettez l'indicateur de graduation à zéro et serrez la vis avec un tournevis cruciforme.

**REMARQUE:** Faites toujours une coupe d'essai pour vérifier l'angle droit de la lame avant de commencer un nouveau projet. Si l'angle n'est pas droit, il peut être nécessaire de desserrer les vis sous la table de découpe pour faire des ajustements (la fente du guide d'onglet doit être parallèle à la lame de scie). Une fois la mise à l'équerre effectuée, resserrez les vis.

### RÉGLAGE DE LA TENSION DE LAME

Voir figures 10-11.

- Éteignez l'appareil.
- Avant d'utiliser la scie à bande, tournez le bouton





## Français

de tension de lame, en haut de la scie, dans le sens horaire pour mettre en tension.

- **REMARQUE:** Il est possible de régler la tension de la lame à tout moment.
- Pincez le bord droit à l'arrière de la lame de la scie comme une corde de guitare tout en tournant le bouton de tension.

Le son devient plus aigu à mesure que la tension augmente. N'augmentez jamais la tension de la lame au point où le ressort est complètement comprimé. Si le ressort est complètement comprimé, il ne peut plus servir d'absorbeur de chocs.

Une tension excessive de la lame peut entraîner sa rupture. Les pièces à usiner plus épaisses demandent une tension plus importante : une tension maximale n'est pas nécessaire pour toutes les découpes. Une tension insuffisante peut entraîner le glissement de la lame sur les roues.

### GUIDAGE DE LA LAME

Voir figure 11.

Réglez correctement la tension de la lame avant de régler le guidage de la lame. Vérifiez que les guides de lame n'entravent pas la lame. Le fond de la lame (la partie la plus profonde de la dent d'une lame) doit être placé au centre du pneumatique.

#### Pour régler :

Débranchez l'alimentation électrique. Ouvrez les couvercles avant en dévissant la vis de verrouillage du couvercle. Regardez la position de la lame sur le pneumatique supérieur pendant que vous faites lentement tourner à la main la roue supérieure dans le sens horaire. Si la lame s'écarte du centre du pneumatique, le guidage doit être ajusté.

#### Si la lame est à gauche ou à droite du centre :

- Tournez le bouton de guidage de lame (dans le sens horaire si la lame est partie à gauche, antihoraire si la lame est partie à droite) tout en faisant tourner la roue à la main jusqu'à ce que la lame soit revenue au centre du pneumatique.
- Vérifiez la position de la lame sur le pneumatique inférieur. La lame doit être entièrement sur le pneumatique (fond des dents de la lame au centre). Si tel n'est pas le cas, ajustez le guidage jusqu'à ce que la lame soit sur les deux pneumatiques.
- Faites tourner la roue supérieure à la main dans le sens horaire encore quelques tours. Assurez-vous que la lame reste au même endroit sur les pneumatiques. Réajustez, au besoin, jusqu'à ce que la lame soit correctement guidée.
- Refermez les couvercles avant et resserrez la vis de

verrouillage du couvercle.

- Allumer l'appareil
- Vérifiez que la lame de la scie reste centrée sur le pneumatique (à travers la fenêtre témoin de guidage). Si elle n'est pas centrée, répétez la procédure précédente.

### ▲ AVERTISSEMENT

Les guides de lame ont été réglés en usine. Ces réglages sont adaptés à certaines applications. Nous vous recommandons de vérifier et d'ajuster les réglages du guide de lame avant la première utilisation de votre scie. Reportez-vous aux procédures de réglage du support du guide de lame et des paliers de butée, qui sont expliquées au paragraphe Réglage de ce manuel.

### INSTALLATION DU GUIDE LONGITUDINAL

- Placez le guide longitudinal du côté gauche de la table de découpe avec la poignée de verrouillage devant.
- Abaissez la poignée de verrouillage afin de bloquer la position du guide longitudinal.
- Tournez la poignée de verrouillage pour ajuster le serrage des fixations.

### UTILISATION

### ▲ AVERTISSEMENT

Ne relâchez pas votre vigilance une fois familiarisé avec votre outil. Rappelez-vous qu'une fraction de seconde d'inattention suffit à provoquer de graves blessures.

### ▲ AVERTISSEMENT

Portez toujours une protection oculaire. Dans le cas contraire, des objets pourraient être projetés vers vos yeux et provoquer de graves blessures.

### ▲ AVERTISSEMENT

N'utilisez pas d'accessoires non recommandés par le fabricant de ce produit. L'utilisation d'accessoires non recommandés peut entraîner de graves blessures.





## Français

### ▲ AVERTISSEMENT

Pour éviter tout contact avec la lame, réglez le groupe du guide de lame de manière à simplement dégager la pièce à usiner. Le non-respect de cette consigne peut entraîner des blessures graves.

### ▲ AVERTISSEMENT

Ne faites jamais fonctionner l'appareil sans la protection de lame fixée et les couvercles avant fermés. Sinon, vous risquez de graves blessures.

### FONCTIONNEMENT DE BASE DE LA SCIE À BANDE

Une scie à bande est, pour simplifier, une machine à « couper des courbes » qui peut également être utilisée pour des découpes rectilignes comme la découpe transversale, à onglet, en biseau, la découpe de composés et la redécoupe. Quand la scie à bande est utilisée pour une découpe rectiligne, l'utilisateur peut installer un guide parallèle avec un morceau de bois de taille appropriée fixé à la table avec des pinces en C. Elle n'est pas capable de faire des découpes internes ou borgnes.

Avant de commencer à couper, regardez l'appareil tourner. Si vous constatez des vibrations excessives ou un bruit inhabituel, arrêtez immédiatement. Éteignez l'appareil et débranchez-le. Ne recommencez qu'une fois le problème identifié et corrigé.

### PROCÉDURES DE COUPE

- Maintenez toujours fermement la pièce à usiner contre la table.
- Exercez une légère pression des deux mains sur la pièce à découper sur la lame. Ne forcez pas le travail de la lame, laissez-la couper.
- Le plus petit diamètre de cercle pouvant être découpé est déterminé par la largeur de la lame. Une lame de 6,35 mm de large découpera un diamètre minimal de 38 mm.
- Gardez vos mains à l'écart de la lame. Ne tenez pas à la main des pièces si petites que vos doigts passent sous le garde de lame.
- Évitez des positions de mains hasardeuses et un fonctionnement bancal dans lesquels un glissement soudain peut entraîner des graves blessures au contact de la lame. Ne mettez jamais les mains sur le passage de la lame.
- Utilisez des supports supplémentaires (tables, chevalets de sciage, blocs, etc.) quand vous découpez des morceaux de bois de grande ou petite taille, ou de forme complexe.
- Ne recourez jamais à une personne pour la substituer

à une extension de table ou pour servir de support pour une pièce plus longue ou plus large que la table de découpe de base.

- Quand vous découpez des morceaux de bois aux formes irrégulières, planifiez votre ouvrage pour ne jamais pincer la lame. Par exemple, une pièce de moule doit rester à plat sur la table de découpe. Les pièces à usiner ne doivent pas se tordre, basculer ou glisser pendant leur découpe.

Quand on recule une pièce à usiner, la lame peut se coincer dans un trait (coupure). Ceci se produit généralement à cause de la sciure qui obstrue le trait de scie ou si la lame sort des guides. Si cela se produit :

- Éteignez l'appareil. Attendez que la scie s'arrête complètement. Débranchez l'appareil de l'alimentation électrique.
- Dégagez le trait de scie avec un tournevis plat ou un gabarit en bois.
- Ouvrez le couvercle avant et faites tourner la roue supérieure à la main en faisant reculer la pièce à usiner.

### COUPES EN RELIEF

Les découpes en relief se produisent quand une courbe complexe (avec un rayon trop petit pour la lame) doit être découpée. Découpez une partie à rejeter de la pièce pour se rapprocher du contour du modèle puis faites reculer avec précaution la lame. Plusieurs découpes en relief doivent être effectuées pour des courbes complexes avant de suivre les contours du modèle, à mesure que des parties sont découpées selon la courbe pour « relâcher » la pression de la lame.

### COUPES COURBES

Pour une découpe de type à chantourner classique, suivez les contours en poussant et en tournant en même temps la pièce à usiner. N'essayez pas de faire tourner la pièce à usiner quand celle-ci est engagée sur la lame sans la pousser, la pièce pourrait sinon bloquer ou tordre la lame.

### RETRAIT DES MATÉRIEAUX COINCÉS

Ne tentez jamais de retirer les pièces découpées coincées avant l'arrêt complet de la lame.

- Éteignez l'appareil. Attendez que la scie s'arrête complètement.
- Débrancher l'appareil de la source d'alimentation avant de retirer les pièces coincées.

### ÉVITER LES BLESSURES

- Assurez-vous que la scie est bien à plat et qu'elle ne bascule pas. La scie doit toujours être placée sur une surface plane et solide, avec un espace suffisant pour manipuler les pièces à usiner et pour les soutenir





## Français

correctement.

- Fixez la scie avec des boulons sur la surface de support pour lui éviter de glisser, se déplacer ou déraiper en fonctionnement, comme la découpe de planches longues et lourdes.
- Éteignez la scie et débranchez le cordon d'alimentation de la source électrique avant de déplacer la scie.
- Ne tentez pas de retirer les pièces découpées coincées avant l'arrêt complet de la lame.
- Choisissez la bonne taille de lame et le bon style de lame pour le matériau et le type de découpe que vous prévoyez.
- Assurez-vous que les dents de la lame sont orientées en direction de la table de découpe, que les guides de lame, paliers de butée et tension de lame sont correctement réglés, que le bouton de guide de lame est serré et qu'aucune pièce n'a un jeu excessif.
- Pour éviter tout contact accidentel avec la lame, minimiser les cassures de lame et fournir un support maximal à la lame, réglez toujours le groupe du guide de lame de manière à simplement dégager la pièce à usiner.
- N'utilisez que les accessoires recommandés.
- À l'exception de la pièce à usiner et des dispositifs de support qui lui sont liés, enlevez tout ce qui se trouve sur la table de découpe avant d'allumer la scie.
- Soutenez correctement les pièces rondes, telles que les tiges de goupille ou les tubes, parce qu'elles ont tendance à rouler pendant la découpe, ce qui provoque l'occlusion de la lame. Pour éviter cela, utilisez toujours un bloc en V ou coinciez la pièce dans un guide d'onglet.
- Avant de retirer des pièces découpées de la table de découpe, éteignez la scie et attendez l'arrêt complet de toutes les pièces en mouvement.

### ALLUMER/ÉTEINDRE L'APPAREIL

Voir figure 12.

- Appuyez sur « I » pour allumer l'appareil.
- Appuyez sur « O » pour éteindre l'appareil.


### AVANT DE QUITTER L'APPAREIL

Voir figure 12.

- Éteignez l'appareil. Attendez que la scie s'arrête complètement.
- Débranchez l'appareil de l'alimentation électrique.
- Sécurisez l'atelier pour les enfants.
- Relâchez la tension de la lame de la scie avec le levier de tension de lame Rapidsset™ afin de prolonger la durée de vie de la lame.
- Fermez l'atelier à clé.

### ALLUMER/ÉTEINDRE LA LAMPE DE TRAVAIL

Voir figure 13.

- Appuyez sur  pour allumer la lampe de travail.
- Appuyez sur « O » pour éteindre la lampe de travail.

### INCLINER LA TABLE

Voir figure 14.

- Desserrez légèrement le bouton de verrouillage de la table.
- Faites tourner le bouton de réglage de l'angle, en inclinant la table de découpe jusqu'à ce qu'elle atteigne l'angle souhaité.
- À l'aide de l'indicateur de graduation, vérifiez la mesure de l'angle.
- Resserrez le bouton de verrouillage de la table pour fixer fermement en place la table de découpe.

### UTILISATION DU GUIDE D'ONGLET

Voir figures 15 - 16.

Le guide d'onglet peut être placé à 60° au maximum à droite ou à gauche.

- Desserrez le bouton de verrouillage du guide d'onglet.
- Avec le guide d'onglet dans la fente, faites tourner le guide d'onglet jusqu'à ce que la graduation atteigne l'angle souhaité.
- Resserrez le bouton de verrouillage.

### UTILISATION DU GUIDE LONGITUDINAL

Le guide longitudinal est utilisé dans toutes les opérations de découpe longitudinale. Ne faites jamais de découpe longitudinale à la main sans le guide longitudinal bien en place et bien fixé.

- Positionnez le guide à l'épaisseur désirée et fixez-le bien en place.
- Avant de commencer la découpe longitudinale, assurez-vous que le guide longitudinal est bien parallèle à la lame de la scie. En cas de découpe longitudinale de longues planches ou de grands panneaux, utilisez toujours un support de travail.
- Tenez la pièce contre le guide et passez-la sur la lame de scie avec une pression souple et constante.







# Français

## RÉGLAGES

### ⚠ AVERTISSEMENT

Avant d'effectuer un réglage, assurez-vous de débrancher l'outil de son alimentation électrique et de placer son interrupteur en position d'arrêt. Le non-respect de cet avertissement pourrait entraîner de graves blessures.

### ⚠ AVERTISSEMENT

Pour éviter les blessures, maintenez un réglage correct de la tension de la lame, du guidage et des guides de lame et des paliers de butée.

## INSTALLATION ET RÉGLAGE DE LA LAME

Voir figure 17.

- Desserrez et retirez l'écrou borgne, les rondelles et la vis à ailettes de la table de découpe.
  - Ouvrez les couvercles avant en dévissant la vis de verrouillage du couvercle.
  - Faites tourner le bouton de verrouillage dans le sens antihoraire pour dégager le groupe de guide de lame. En tournant le bouton du guide de lame (le sens horaire fait monter le groupe du guide de lame, le sens antihoraire le fait descendre), placez le groupe du guide de lame à mi-chemin entre la table de découpe et le logement de la scie. Resserrez le bouton de verrouillage.
  - Ouvrez la protection de la lame en tirant sur le côté gauche de la protection pour l'éloigner de la roue.
  - Relâchez toute la tension de la lame.
  - Retirez avec précaution l'ancienne lame.
  - En portant des gants, déballez avec précaution la nouvelle lame, à l'écart de votre buste. Si la nouvelle lame a été huilée pour éviter la rouille, il peut être nécessaire de l'essuyer afin d'éviter que de l'huile ne vienne se déposer sur la pièce à usiner. Essayez avec précaution dans le sens des dents pour que le chiffon ne s'accroche pas dans les dents de scie.
- REMARQUE:** Il peut être nécessaire de retourner la lame si les dents pointent dans la mauvaise direction. Tenez la lame des deux mains et faites-la tourner vers l'intérieur.
- Avec les dents de la scie pointées vers la gauche de la scie et vers le bas, placez la lame dans les guides de lame inférieurs et autour des deux roues.
  - Faites doucement tourner la roue supérieure vers la droite ou dans le sens horaire à la main afin de centrer la lame sur les pneumatiques en caoutchouc.

- Réenclenchez le levier de tension de lame RapidSet™, puis ajustez la tension de la lame. Vérifiez ou ajustez le guidage de la lame.
- Réglez les guides de lame inférieurs et supérieurs, ainsi que les paliers de butée, comme il est expliqué plus loin dans le présent manuel.
- Refixez la vis à ailettes, les rondelles et l'écrou borgne. Resserrez fermement.
- Refermez la protection de lame et le couvercle avant. Resserrez la vis de verrouillage du couvercle.

## RÉGLAGE DU GROUPE DU GUIDE DE LAME

Voir figures 18 - 19.

Pour éviter que la lame ne se torde ni se casse, le groupe de guide de lame doit toujours être installé à environ 3,2 mm au-dessus de la pièce à usiner.

- Faites tourner le bouton de verrouillage dans le sens antihoraire pour dégager le groupe de guide de lame.
- Pour guide, utilisez un morceau test du même bois que vous allez découper pour définir la hauteur du groupe du guide de lame. Réglez le groupe du guide de lame en tournant le bouton du guide de lame.
- Verrouillez le groupe de guide de lame en place en tournant le bouton de verrouillage dans le sens horaire.
- Verrouillez toujours le groupe du guide de lame en place avant de mettre en marche la scie à bande.

## RÉGLAGE DU SUPPORT DU GUIDE DE LAME ET DES PALIERS DE BUTÉE

Voir figures 20 - 21.

**NOTE:** Resserrez le bouton de verrouillage et reportez-vous aux procédures de réglage de la tension de la lame et de guidage de lame, expliquées au paragraphe relatif au montage de ce manuel avant d'effectuer des réglages.

Les guides et les paliers de butée inférieurs et supérieurs de la lame guident la lame de la scie pendant la découpe. Le réglage des paliers et des guides doit être vérifié à chaque fois qu'une nouvelle lame est installée.

### Pour ajuster les paliers de butée :

Les paliers de butée soutiennent la tranche arrière de la lame pendant la découpe. La lame ne doit pas être en contact avec les paliers de butée quand vous arrêtez de couper. Il est important que les paliers de butée inférieurs et supérieurs soient réglés de la même façon.

- Ouvrez les couvercles avant et la protection de lame.
- À l'aide d'une clé Allen, desserrez les vis des paliers de butée inférieurs et supérieurs et poussez les paliers à l'arrière de la scie.
- Vérifiez que la lame de scie est correctement guidée, puis faites glisser les paliers de butée en avant jusqu'à





## Français

ce que le palier soit à 0,4 mm de la lame. Serrez fermement la vis du palier de butée.

- Faites glisser le palier inférieur en avant jusqu'à ce qu'il ait le bon dégagement. Serrez fermement la vis du palier de butée.

### Pour ajuster le support du guide de lame :

- Desserrez le support et les vis de fixation du guide de lame à l'aide de clés Allen.
- Faites glisser le support du guide de lame supérieur sur l'arbre jusqu'à ce que le bord avant des guides soit en contact avec la lame de la scie derrière le fond de lame. Serrez fermement la vis.
- Poussez le guide droit au contact de la lame et relâchez. Faites tourner doucement la roue en lui faisant faire un tour complet. Serrez fermement les vis de fixation du guide de lame
- Ajustez le guide gauche pour laisser un espace de 0,4 mm entre la lame et le guide (environ l'épaisseur d'une carte à jouer) en insérant une carte à jouer entre le guide gauche et la lame.
- Appuyez sur la goupille du guide gauche pour maintenir la carte à jouer en place. Resserrez la vis de fixation et retirez la carte à jouer.
- Faites 3 tours complets, à la main, afin de vous assurer que la lame ne se coïncera pas.
- Refermez la protection de lame et le couvercle avant. Fixez avec des vis.

Répétez cette procédure avec le support du guide de lame inférieur.

### RÉGLAGE DU GUIDE LONGITUDINAL

- Desserrez la poignée de verrouillage en la faisant tourner dans le sens antihoraire.
- Déplacez le guide longitudinal dans la position souhaitée.
- Abaissez la poignée de verrouillage afin de bloquer la position du guide longitudinal.
- Tournez la poignée de verrouillage pour ajuster le serrage des fixations.

## ENTRETIEN

**⚠ AVERTISSEMENT**

N'effectuez les réparations qu'en utilisant des pièces détachées identiques. L'utilisation de toute autre pièce est susceptible de présenter un danger ou d'endommager votre outil.

**⚠ AVERTISSEMENT**

Portez toujours une protection oculaire lors de l'utilisation de l'appareil. Si l'opération génère des poussières, portez également un masque antipoussière.

**⚠ AVERTISSEMENT**

Avant d'effectuer une opération de maintenance, assurez-vous de débrancher l'outil de son alimentation électrique et de placer son interrupteur en position d'arrêt. Le non-respect de cet avertissement pourrait entraîner de graves blessures.

### ENTRETIEN GÉNÉRAL

Évitez d'utiliser des solvants pour nettoyer les parties en plastique. La plupart des plastiques sont susceptibles d'être endommagés par différents types de solvants du commerce. Utilisez des chiffons propres pour retirer la saleté, les poussières, l'huile, la graisse, etc.

**⚠ AVERTISSEMENT**

Ne laissez jamais du liquide de frein, de l'essence, des produits pétroliers, des huiles pénétrantes, etc. entrer en contact avec les éléments en plastique. Les produits chimiques peuvent endommager, affaiblir ou détruire les plastiques, ce qui pourrait entraîner de graves blessures.

- Gardez le produit propre.
- Retirez fréquemment la sciure à l'intérieur de la scie.
- Ne laissez pas la résine s'accumuler sur la table de découpe, les guides de lame ou les paliers de butée. Nettoyez-les avec un produit nettoyant pour résine et gomme.
- Appliquez une fine couche de cire pour automobile à la surface de la table de découpe afin que le bois glisse facilement pendant la découpe.

### Lubrification

Tous les roulements de cet outil sont suffisamment lubrifiés avec de l'huile de haute qualité pour toute sa durée de vie dans des conditions d'utilisation normales. Par conséquent, aucune lubrification supplémentaire n'est nécessaire.

### PNEUMATIQUES

#### Nettoyage des pneumatiques :

- La résine et la sciure s'accumulent sur les pneumatiques et doivent être éliminées à l'aide d'une brosse métallique à poils fins ou d'un morceau de bois.



## Français

**N'utilisez ni couteaux pointus, ni solvants.**

### Remplacement des pneumatiques :

- Ouvrez le couvercle avant et retirez la lame de la scie. Reportez-vous au paragraphe d'installation et de réglage de la lame
- Dégagez avec précaution le pneumatique usé de la roue.
- Étirez le nouveau pneumatique autour de la roue.
- Remettez la lame de la scie et refermez le couvercle avant.

### PINCEAU

Voir figure 22.

Une brosse est située à l'intérieur du logement de la scie, à côté de la roue. Elle permet de protéger le pneumatique et la roue en brossant la sciure. À mesure que la brosse s'use, elle doit être ajustée ou remplacée.

- Retirez la vis et la rondelle, puis retirez la brosse.
- Mettez la nouvelle brosse dans la rainure.
- Réinstallez le tout à l'aide de la rondelle et de la vis.

### TRANSPORT ET STOCKAGE

Voir figures 23 - 24.

- Lors du transport du produit, débranchez le câble d'alimentation, abaissez la protection de la lame et démontez le produit. Rangez la tige de poussée sur le côté supérieur du logement. Soulevez le produit par le logement supérieur, comme indiqué. Rangez le produit dans un endroit sûr, hors de portée des enfants.
- Nettoyez le produit à l'aide d'un pinceau ou d'un aspirateur avant de le ranger.

### PROTECTION DE L'ENVIRONNEMENT



Recyclez les matières premières au lieu de les jeter avec les ordures ménagères. Pour protéger l'environnement, l'outil, les accessoires et les emballages doivent être triés.

### SYMBOLE



Alerte de sécurité



Conformité CE



Veillez lire attentivement les instructions avant de mettre l'appareil en marche.



Portez une protection oculaire.



Portez une protection auditive.



DANGER! Lame coupante.



Verrouillage



Déverrouillage



Profondeur maximale de découpe



Largeur maximale de découpe



Angle maximal de découpe



Vitesse de service



Taille de la lame



L'outil doit être débranché de l'alimentation électrique avant la maintenance.



Les produits électriques hors d'usage ne doivent pas être jetés avec les ordures ménagères. Recyclez-les par l'intermédiaire des structures disponibles. Contactez les autorités locales ou votre distributeur pour vous renseigner sur les conditions de recyclage.



## Français

### DÉPANNAGE

Problème	Cause possible	Solution
Le moteur ne fonctionne pas.	<ol style="list-style-type: none"> <li>1. Problème avec l'interrupteur MARCHE/ARRÊT ou le cordon d'alimentation.</li> <li>2. Moteur défectueux.</li> <li>3. La lame se coince.</li> </ol>	<ol style="list-style-type: none"> <li>1. Remplacez les pièces usées avant d'utiliser à nouveau l'appareil.</li> <li>2. Ne tentez pas de réparer. Faites réparer votre outil par du personnel qualifié.</li> <li>3. Retirez les matériaux coincés</li> </ol>
La lame ne se déplace pas approximativement au centre de la roue supérieure.	<ol style="list-style-type: none"> <li>1. Guidage incorrect.</li> </ol>	<ol style="list-style-type: none"> <li>1. Ajustez le guidage, consultez le paragraphe des réglages, « Guidage de lame ».</li> <li>2. Faites réparer votre outil par un technicien qualifié.</li> </ol>
La scie à bande ralentit quand elle découpe.	<ol style="list-style-type: none"> <li>1. Découpe d'un rayon trop petit.</li> <li>2. Lame émoussée.</li> </ol>	<ol style="list-style-type: none"> <li>1. Arrêtez d'amener le matériau de découpe et reculez-le légèrement jusqu'à ce que la scie à bande accélère.</li> <li>2. Remplacez la lame.</li> </ol>
Cassure de lame.	<ol style="list-style-type: none"> <li>1. Tension de lame excessive.</li> <li>2. Lame entortillée à cause d'un rayon trop petit à découper ou d'une rotation trop rapide du matériau lors de la découpe.</li> <li>3. Paliers de butée marqués ou qui ne tournent pas.</li> </ol>	<ol style="list-style-type: none"> <li>1. Ajustez la tension. Reportez-vous au paragraphe RÉGLAGES, « Réglage de la tension de la lame ».</li> <li>2. Utilisez une technique de découpe correcte. Reportez-vous au paragraphe Fonctionnement.</li> <li>3. Remplacez les paliers de butée.</li> </ol>
Le produit fait beaucoup de bruit en fonctionnement.	<ol style="list-style-type: none"> <li>1. Tension de lame excessive.</li> <li>2. Les guides de lame et les paliers sont en contact avec la lame.</li> </ol>	<ol style="list-style-type: none"> <li>1. Ajustez la tension. Reportez-vous au paragraphe RÉGLAGES, « Réglage de la tension de la lame ».</li> <li>2. Réglez les guides de lame en haut et en bas, ainsi que les paliers. Reportez-vous au paragraphe RÉGLAGES, « Réglage des paliers de butée et de support du guide de lame ».</li> </ol>
La lame ne coupe pas droit.	<ol style="list-style-type: none"> <li>1. Les guides de lame et les paliers ne sont pas bien réglés.</li> <li>2. Lame usée ou défectueuse.</li> </ol>	<ol style="list-style-type: none"> <li>1. Réglez les guides de lame en haut et en bas, ainsi que les paliers. Reportez-vous au paragraphe RÉGLAGES, « Réglage des paliers de butée et de support du guide de lame ».</li> <li>2. Remplacez la lame.</li> </ol>
Les guides de lame ne restent pas en position.	<ol style="list-style-type: none"> <li>1. Les vis du guide de lame se sont desserrées.</li> </ol>	<ol style="list-style-type: none"> <li>1. Serrez fermement les vis du guide de lame.</li> </ol>
Le moteur tourne mais la lame ne tourne pas	<ol style="list-style-type: none"> <li>1. La tension n'est pas correctement réglée.</li> <li>2. La courroie d'entraînement est cassée.</li> </ol>	<ol style="list-style-type: none"> <li>1. Réglez la tension à l'aide du levier de tension de la lame.</li> <li>2. Faites réparer votre outil par un technicien qualifié.</li> </ol>





## Deutsch

### BESCHREIBUNG

- |   |                                   |
|---|-----------------------------------|
| 1. Bandspannhandrad   | 51. Unteres Rad                   |
| 2. Sicherungsschraube für Abdeckung                               | 52. Öffnen                        |
| 3. Kontrollfenster  | 53. Sperren                       |
| 4. Arbeitslicht   | 54. Axiallager                    |
| 5. Trennscheiben-Schutzvorrichtung                                | 55. Axiallagerschraube            |
| 6. Sägeblatt  | 56. Blattführungsstützschraube    |
| 7. Gehrungsanschlag   | 57. Obere Blattführungsstütze     |
| 8. Staubaustrittöffnung   | 58. Blattführung                  |
| 9. Skalenanzeige  | 59. Blattführungseinstellschraube |
| 10. Winkeleinstellhandrad   | 60. Blattführungsschraube         |
| 11. Skala   | 61. Untere Blattführungsstütze    |
| 12. Tischarretierhebel  | 62. Bürste                        |
| 13. Arretierhandrad   | 63. Unterlegscheibe               |
| 14. Blattführungshandrad  | 64. Schrauben                     |
| 15. Bandspannhebel  | 65. Reifen                        |
| 16. Stichplatte   |                                   |
| 17. Bandlaufknopf   |                                   |
| 18. Ein-/Ausschalter  |                                   |
| 19. Sägetisch   |                                   |
| 20. Untere Abdecktür  |                                   |
| 21. Obere Abdecktür   |                                   |
| 22. Parallelanschlag  |                                   |
| 23. Arbeitslichtschalter  |                                   |
| 24. Einschubstab  |                                   |
| 25. Kreuzschlitzschraubendreher (nicht im Lieferumfang enthalten) |                                   |
| 26. Rollabelschlüssel (nicht im Lieferumfang enthalten)           |                                   |
| 27. Kleiner Kombinationswinkel (nicht im Lieferumfang enthalten)  |                                   |
| 28. Sechskantschlüssel, 3 mm                                      |                                   |
| 29. Sechskantschlüssel, 4 mm                                      |                                   |
| 30. Sechskantschlüssel, 5 mm                                      |                                   |
| 31. Unterlegscheibe   |                                   |
| 32. Blindmuttern  |                                   |
| 33. Unterlegscheiben  |                                   |
| 34. Füße  |                                   |
| 35. Verriegelungsbolzen   |                                   |
| 36. Sechskantmuttern  |                                   |
| 37. Verlängerungsstütze   |                                   |
| 38. Bohrungen im Sockel   |                                   |
| 39. Einpressmutter Typ D  |                                   |
| 40. Flügelschraube  |                                   |
| 41. Sägetischwinkel   |                                   |
| 42. Blattführungsvorrichtung                                      |                                   |
| 43. Einstellschraube  |                                   |
| 44. Zum Verringern der Spannung                                   |                                   |
| 45. Zum Erhöhen der Spannung                                      |                                   |
| 46. Arretierhandrad   |                                   |
| 47. Gehrungsanschlagschlitz                                       |                                   |
| 48. Kreuzschlitzschrauben   |                                   |
| 49. Oberes Rad  |                                   |
| 50. Untere Blattführungen   |                                   |





**Deutsch**

Sicherheit, Leistung und Zuverlässigkeit hatten oberste Priorität bei der Entwicklung Ihrer Bandsäge.

**BESTIMMUNGSGEMÄSSE VERWENDUNG**

Die Bandsäge ist ausgelegt für das gerade Schneiden, das Dekupieren und das Kreisschneiden von Holz und von aus Holz hergestellten Werkstücken.

Das Produkt darf nur von Erwachsenen verwendet werden, die die Bedienungsanleitung gelesen und die Risiken und Gefahren verstanden haben.

Die Säge muss in trockener Umgebung benutzt werden, mit ausgezeichneter Raumbeleuchtung und ausreichender Belüftung.

Das Produkt ist für den Heimgebrauch und sollte nur wie oben beschrieben, und für keine anderen Zwecke, benutzt werden.

**ALLGEMEINE SICHERHEITSWARNUNGEN**

**▲ WARNUNG**

Bei der Verwendung elektrischer Werkzeuge sollten immer einige grundlegende Sicherheitsvorkehrungen getroffen werden, um die Gefahr von Feuer, Stromschlag und Verletzungen zu verringern. Lesen Sie vor der Benutzung des Produkts die Anleitung vollständig durch und bewahren Sie die Anleitung auf.

- **Halten Sie den Arbeitsbereich frei.** Unordentliche Bereiche und Werkbänke können zu Unfällen führen.
- **Beachten Sie die Arbeitsumgebung.** Setzen Sie Werkzeuge nicht an feuchten oder nassen Orten. Beleuchten Sie den Arbeitsbereich gut. Benutzen Sie Werkzeuge nicht in der Nähe von brennbaren Flüssigkeiten oder Gasen.
- **Schutz vor Stromschlag.** Vermeiden Sie Körperkontakt mit geerdeten Oberflächen (z.B. Rohre, Heizkörper, Herde, Kühlschränke).
- **Halten Sie andere Personen fern.** Lassen Sie keine anderen Personen, insbesondere Kinder, sich an der Arbeit beteiligen, das Werkzeug oder Verlängerungskabel berühren, und halten Sie sie von dem Arbeitsbereich fern.
- **Aufbewahrung unbenutzter Werkzeuge.** Das Werkzeug sollte an einem trockenen und verschlossenen Ort außerhalb der Reichweite von Kindern aufbewahrt werden, wenn es nicht benutzt wird.
- **Betätigen Sie das Werkzeug nicht mit Gewalt.** Es wird die Arbeit mit der Geschwindigkeit, für die es

ausgelegt wurde, besser und sicherer erledigen.

- **Benutzen Sie das richtige Werkzeug.** Verwenden Sie keine kleinen Werkzeuge mit Gewalt um Arbeiten auszuführen, für die ein leistungsstärkeres Werkzeug besser geeignet wäre. Verwenden Sie Werkzeuge nicht für Zwecke, für die sie nicht vorgesehen sind, zum Beispiel, benutzen Sie Kreissägen nicht um Äste oder Baumstämme zu sägen.
- **Tragen Sie geeignete Kleidung.** Tragen Sie keine lockere Kleidung oder Schmuck; diese könnten sich in beweglichen Teilen verfangen. Rutschfestes Schuhwerk wird für die Arbeit im Freien empfohlen. Tragen Sie eine schützende Haarbedeckung zum Zurückhalten langer Haare.
- **Benutzen Sie Schutzausrüstung.** Benutzen Sie eine Schutzbrille. Benutzen Sie eine Sicherheits- oder Staubmaske, wenn die Arbeitsbedingungen Staub erzeugen.
- **Schließen Sie ein Gerät zur Staubabsaugung an.** Wenn das Werkzeug über einen Anschluss zu Geräten zur Staubabsaugung und -sammlung verfügt, stellen Sie sicher, dass diese Geräte angeschlossen sind und ordentlich eingesetzt werden.
- **Das Stromkabel nicht überstrapazieren.** Ziehen Sie niemals am Kabel und den Stecker aus der Steckdose zu ziehen. Halten Sie das Kabel fern von Hitze, Öl, und scharfen Kanten.
- **Sichern Sie das Werkstück.** Benutzen Sie wenn möglich Klemmen oder einen Schraubstock um das Werkstück zu halten. Es ist sicherer, als Ihre Hand zu benutzen.
- **Vermeiden Sie eine abnormale Körperhaltung.** Sorgen Sie für einen sicheren Stand und halten Sie jederzeit das Gleichgewicht.
- **Pflegen Sie Werkzeuge.** Halten Sie Schneidwerkzeuge für eine bessere und sicherere Leistung scharf und sauber. Befolgen Sie die Anweisungen zum Ölen und dem Austausch von Zubehörteilen. Überprüfen Sie das Werkzeug regelmäßig und lassen es von einem autorisierten Kundendienst reparieren. Überprüfen Sie Verlängerungskabel regelmäßig und tauschen Sie sie bei Beschädigung aus. Halten Sie die Griffe trocken, sauber und frei von Öl und Schmierstoffen.
- **Trennen Sie die Werkzeuge von der Stromquelle.** Trennen Sie Werkzeuge vom Stromnetz, wenn sie nicht benutzt werden und Zubehörteile wie Klingen, Bits und Messer gewechselt werden.
- **Entfernen Sie Einstellhilfen und Schraubenschlüssel.** Machen Sie es sich zur Gewohnheit, vor Einschalten des Geräts zu prüfen, ob alle Einstellhilfen und Schraubenschlüssel etc. von dem Werkzeug entfernt wurden.
- **Vermeiden Sie unabsichtliches Starten.** Stellen Sie





## Deutsch

vor dem Einstecken des Steckers, das der Schalter in der "Aus" Position ist.

- **Benutzen Sie Verlängerungskabel, die zur Benutzung im Freien geeignet sind.** Verwenden Sie bei der Arbeit mit diesem Werkzeug im Freien nur Verlängerungskabel, die auch zum Gebrauch im Freien geeignet und entsprechend gekennzeichnet sind.
- **Bleiben Sie wachsam.** Achten Sie auf das, was sie tun, setzen Sie Ihren gesunden Menschenverstand ein und bedienen das Werkzeug nicht, wenn Sie müde sind.
- **Überprüfen Sie beschädigte Teile.** Vor der weiteren Benutzung des Werkzeugs sollte es sorgfältig überprüft werden, um festzustellen, dass es ordnungsgemäß funktioniert und die vorgesehene Funktion erfüllt. Überprüfen Sie die Ausrichtung beweglicher Teile, ob bewegliche Teile klemmen, Beschädigungen von Teilen, Befestigungen und andere Umstände, die sich auf den Betrieb auswirken könnten. Eine Schutzvorrichtung oder ein anderes Teil, das beschädigt ist, muss, sofern in dieser Gebrauchsanweisung nichts anderes angegeben ist, durch den autorisierten Kundendienst ordnungsgemäß repariert oder ausgetauscht werden. Lassen Sie defekte Schalter durch einen autorisierten Kundendienst austauschen. Verwenden Sie das Produkt nicht, falls es sich durch den Schalter nicht ein- und ausschalten lässt.
- **Warnung.** Die Verwendung von anderen als den in diesen Anweisungen empfohlenen Zubehörteilen kann eine Gefahr von Körperverletzungen bedeuten.
- **Lassen Sie Ihr Werkzeug von einer qualifizierten Person reparieren.** Dieses Elektrowerkzeug erfüllt die entsprechenden Sicherheitsregeln. Reparaturen sollten nur von qualifizierten Personen mit Originalersatzteilen durchgeführt werden, sonst können beträchtliche Gefahren für den Benutzer entstehen.

### SICHERHEITSHINWEISE ZUR BANDSÄGE

- **Befestigen Sie die Säge sicher auf einer Werkbank oder auf ein Beigestell, ungefähr auf Hüfthöhe.**
- **Das Produkt darf niemals auf dem Boden betrieben werden.**
- **Vermeiden Sie ungünstige Positionen und Handpositionen bei denen ein plötzliches Verrutschen dazu führen kann, dass Ihre Hand in das Messer gerät.** Stellen Sie immer sicher, dass Sie sich im Gleichgewicht befinden.
- **Lassen Sie den Motor erst seine Höchstgeschwindigkeit erreichen, bevor Sie mit dem Schneidvorgang beginnen, um ein**

**Festfressen oder ein Abwürfen zu vermeiden.**

- **Verwenden Sie das Gerät nicht, falls der Schalter es nicht ein- und ausschaltet.** Lassen Sie defekte Schalter durch einen autorisierten Kundendienst austauschen.
- **Ersatzteile.** Alle Reparaturarbeiten, elektrischer und mechanischer Art, müssen von einem qualifizierten Techniker in einem autorisierten Servicecenter durchgeführt werden.
- **Verwenden Sie zur Wartung nur Original Ersatzteile.** Der Einsatz von anderen Teilen kann eine Gefahr verursachen oder das Produkt beschädigen.
- **Hände vom Schnittbereich fern halten.** Werkstücke, die so klein sind, dass Ihre Finger unter den Blattschutz gelangen könnten, dürfen Sie zur Bearbeitung nicht mit der Hand festhalten. Greifen Sie nicht aus irgendeinem Grund mit Ihren Händen oder Fingern unter das Werkstück oder in den Sägebereich.
- **Sie dürfen niemals mehr als ein Werkstück bearbeiten. Und auf dem Sägertisch darf immer nur ein Werkstück liegen.**
- **Das Material darf nicht zu schnell zugeführt werden.** Das Werkstück darf nicht mit Gewalt gegen das Sägeband gedrückt werden.
- **Verwenden Sie nur die vorgesehenen Trennscheiben.** Benutzen Sie immer die richtige Sägebandgröße und den richtigen Sägebandtyp für das jeweilige Material und die jeweilige Schneidmethode. Die Zähne des Sägebands müssen nach unten zum Tisch zeigen.
- **Große Werkstücke müssen beim Schneiden immer abgestützt werden, um das Risiko zu minimieren, dass das Sägeband eingeklemmt wird und/oder zurückschlägt.** Beim Schneiden großer oder schwerer Bretter kann die Säge abrutschen, abweichen oder abgleiten.
- **Abgeschnittene Stücke, die sich verklemmen, dürfen erst entfernt werden, wenn das Sägeband vollständig zum Stillstand gekommen ist.**
- **Sägebänder, die beschädigt oder deformiert sind, dürfen nicht verwendet werden.**
- **Abgenutzte Tischeinlage ersetzen.**
- **Schließen Sie die Säge an eine Staubabsaugung an, wenn Sie Holz sägen.**
- **Bei geöffneter Schutzvorrichtung des Sägebands darf das Produkt nicht betrieben werden.**
- **Die Auswahl des Sägebands und der Geschwindigkeit muss in Abhängigkeit des zu schneidenden Materials erfolgen.**
- **Das Sägeband darf nicht in Bewegung gesäubert werden.**
- **Bei Arbeiten am Sägeband oder mit groben**



## Deutsch

Materialien müssen Schutzhandschuhe getragen werden.

- Beim geraden Schneiden von kleinen Werkstücken ist ein Einschubstab zusammen mit dem Anschlag zu verwenden.
- Beim Transportieren des Produkts muss der Sägebandschutz komplett unten und in der Nähe des Tisches sein.
- Beim Schrägschneiden, beim schrägen Tisch, ist der Anschlag an der niedrigeren Seite des Tisches zu positionieren.
- Beim Schneiden von rund oder unregelmäßig geformtem Holz ist eine geeignete Haltevorrichtung zu verwenden, um ein Verdrehen des Werkstückes zu vermeiden.
- Zum Bearbeiten oder zum Transportieren dürfen nicht die Schutzvorrichtungen verwendet werden.
- Stellen Sie die einstellbare Schutzvorrichtung möglichst eng am Werkstück ein.
- Berühren Sie während des Betriebs niemals die Trennscheibe oder andere bewegliche Teile.
- Vor dem Ändern der Aufstellung und vor der Entfernung von Abdeckungen, Schutzvorrichtungen oder des Sägebands, muss die Säge von der Stromzufuhr getrennt werden.
- Halten Sie das Werkstück immer sicher gegen den Tisch.
- Zur Vermeidung eines unbeabsichtigten Kontakts mit dem Sägeband, zur Minimierung von Bruchschäden am Sägeband und zur Sicherstellung des maximalen Supports für das Sägeband. Stellen Sie Blattführungsvorrichtung stets so ein, um das Werkstück freizugeben.
- Halten Sie die Sägeblätter sauber, scharf und mit ausreichend Biegung. Scharfe Sägeblätter verringern die Gefahr, dass das Sägeblatt verklemt oder zurückschlägt.
- Schalten Sie den Fliesenschneider immer erst aus, bevor Sie ihn vom Stromnetz trennen, um ein unbeabsichtigtes Einschalten beim erneuten Anschließen an das Stromnetz zu vermeiden.
- Vergewissern Sie sich, dass der Arbeitsbereich ausreichend ausgeleuchtet ist, so dass Sie das Werkstück gut sehen, und, dass die Betriebssicherheit auf keine Weise eingeschränkt wird, bevor Sie mit dem Fliesenschneider irgendwelche Arbeiten durchführen.
- Die Blattführungen sind ab Werk voreingestellt. Für einige Anwendungen sind diese Einstellungen zweckmäßig. Wir empfehlen Ihnen, die Einstellungen der Blattführung vor dem erstmaligen Gebrauch Ihrer Säge zu überprüfen und entsprechend Ihrer Anwendung einzustellen. Im Abschnitt

EINSTELLUNGEN dieser Gebrauchsanweisung finden Sie weitere Informationen zum „Einstellen der Axiallager und der Blattführungsstützen“.

- **Dieses Gerät darf nicht zum Schneiden von Metall verwendet werden.**
- **Dieses Werkzeug sollte über die folgenden Markierungen verfügen:**
  - Augenschutz tragen
  - Halten Sie die Hände von den Sägeblättern fern!
  - Abgeschnittene Stücke, die sich verkleben, dürfen erst entfernt werden, wenn das Sägeband vollständig zum Stillstand gekommen ist.
  - Stellen Sie sicher, dass das Sägeband mit den Zähnen nach unten installiert ist.
  - Die Sägebandspannung, die Blattführungen und die Axiallager müssen stets korrekt eingestellt sein.
  - Stellen Sie obere Blattführung so ein, um das Werkstück freizugeben.
  - Halten Sie das Werkstück beim Schneiden sicher gegen den Tisch.
- **Falls das Stromkabel beschädigt sein sollte, darf es, um jegliche Risiken zu vermeiden, ausschließlich durch den Hersteller oder ein autorisiertes Kundendienstzentrum ausgetauscht werden.**
- **Bewahren Sie diese Anleitung auf.** Lesen Sie sie regelmäßig nach und verwenden Sie sie zur Einweisung anderer Anwender. Sollten Sie dieses Werkzeug jemandem leihen, geben Sie dieser Person auch diese Anleitung.

### SICHERHEIT

#### VERLÄNGERUNGSKABEL

Benutzen Sie nur Verlängerungskabel mit 3 Litzen und Stecker und Steckdosen mit 3 Kontakten. Wenn Sie das Elektrowerkzeug in einer größeren Entfernung von der Stromquelle benutzen, verwenden Sie ein Verlängerungskabel das für die Stromstärke des Produkts ausgelegt ist. Ein zu schwaches Verlängerungskabel verursacht einen Absinken der Netzspannung, und somit einen Leistungsverlust und Überhitzung des Motors.

Bevor Sie ein Verlängerungskabel benutzen, untersuchen Sie dieses auf lose oder frei liegende Drähte und auf Schnitte und Abnutzungsstellen an der Isolierung.





## Deutsch

### **⚠️ WARNUNG**

Halten Sie das Verlängerungskabel aus dem Arbeitsbereich heraus. Legen Sie das Kabel so, dass es sich bei der Arbeit mit dem Werkzeug nicht in Bäumen und Sträuchern, Werkzeugen oder anderen Hindernissen verfangen kann. Die Missachtung dieser Vorschrift kann zu schweren Körperverletzungen führen.

### **⚠️ WARNUNG**

Überprüfen Sie Verlängerungskabel vor jedem Gebrauch. Ersetzen Sie ihn unverzüglich falls er beschädigt sein sollte. Verwenden Sie niemals ein Werkzeug mit beschädigtem Kabel, da ein Berühren des beschädigten Bereichs zu Stromschlag und schweren Verletzungen führen kann!

### **ELEKTRISCHE VERBINDUNG**

Dieses Produkt wird durch einen präzise konstruierten Elektromotor betrieben. Es sollte an eine Stromversorgung mit 220~240 V Wechselstrom (normaler Haushaltsstrom) mit 50 Hz angeschlossen werden. Betreiben Sie dieses Produkt nicht mit Gleichstrom (DC). Ein größerer Spannungsabfall verursacht Leistungsverlust und der Motor überhitzt sich. Falls das Produkt nicht läuft nachdem es an eine Steckdose angeschlossen wurde, überprüfen Sie die Stromversorgung.

### **GESCHWINDIGKEIT UND LEITUNGSFÜHRUNG**

Die Leerlaufgeschwindigkeit dieses Geräts liegt bei ca. 11 m/s. Diese Geschwindigkeit ist nicht konstant und vermindert sich unter Belastung oder einer geringeren Stromspannung. Für die Stromspannung ist die Verkabelung im jeweiligen Geschäft ebenso wichtig wie die Eingangsleistung des Motors. Ein Stromnetz, das nur für Beleuchtung ausgelegt ist, kann den Motor eines Elektrowerkzeugs nicht ausreichend versorgen. Ein Kabel, das für eine kurze Distanz ausreicht, ist möglicherweise für eine größere Distanz nicht geeignet. Ein Anschluss, der dazu geeignet ist, ein Elektrowerkzeug zu unterstützen, ist möglicherweise nicht dazu geeignet, zwei oder drei Werkzeuge zu unterstützen.

### **ANWEISUNGEN ZUR ERDUNG**

Dieses Produkt muss geerdet werden. Im Falle einer Funktionsstörung oder eines Defekts sorgt die Erdung für einen Weg des geringsten Widerstandes für die elektrische Spannung und verringert so das Risiko eines Stromschlags. Dieses Produkt verfügt über ein Stromkabel mit einem Schutzleiter und einem Schutzstecker. Der Stecker muss in eine entsprechende Steckdose, die ordnungsgemäß installiert und gemäß sämtlicher

regionaler Vorschriften und Verordnungen geerdet ist, gesteckt werden.

Nehmen Sie am mitgelieferten Stecker keine Veränderungen vor! Falls der Stecker nicht zu der Steckdose passt, lassen Sie durch einen qualifizierten Elektriker eine ordnungsgemäße Steckdose installieren. Reparieren oder ersetzen Sie beschädigte oder verschlissene Kabel unverzüglich.

### **RESTRISIKEN**

Sogar wenn das Produkt wie vorgeschrieben benutzt wird, ist es unmöglich ein gewisses Restrisiko vollständig auszuschließen. Die folgenden Gefahren können bei der Benutzung entstehen, und der Benutzer sollte besonders auf folgende Punkte achten:

- Rückschlag vor Werkstücken und Teilen von Werkstücken aufgrund falscher Einstellungen oder Benutzung.
- Verletzung der Atemwege.
 

**HINWEIS:** Tragen Sie eine für das zu bearbeitende Material geeignete Atemschutzmaske mit Filter. Sorgen Sie für ausreichende Belüftung des Arbeitsbereichs. Essen, trinken oder rauchen Sie nicht in dem Arbeitsbereich.
- Schäden am Gehör, wenn ein wirksamer Gehörschutz nicht getragen wird.

### **MACHEN SIE SICH MIT IHREM PRODUKT VERTRAUT**

*Siehe Abbildung 1.*

Die sichere Verwendung dieses Produkts erfordert ein Verständnis der in dieser Gebrauchsanweisung enthaltenen Informationen über das Produkt sowie Kenntnisse über die Arbeiten, die Sie in Angriff nehmen. Vor der Verwendung dieses Geräts sollten Sie sich stets mit all seinen Funktionen und den Merkmalen in Bezug auf die Sicherheit vertraut machen.

### **WINKLEINSTELLHANDRAD**

Kippt den Sägetisch zum Schrägschneiden.

### **TRENNSCHEIBEN-SCHUTZVORRICHTUNG**

Schützt den Bediener davor, mit dem Sägeband in Kontakt zu kommen.

### **BLATTFÜHRUNGSHANDRAD**

Benutzen Sie das Blattführungshandrad, um die Blattführungsvorrichtung nach oben und nach unten zu bewegen und um zu verhindern, dass sich das Sägeband verdreht oder gar bricht. Vor dem Anschalten der Bandsäge müssen Sie sich stets vergewissern, dass die Blattführungsvorrichtung richtig positioniert ist.



## Deutsch

### BLATTFÜHRUNGEN

Die obere und die untere Blattführung tragen dazu bei, dass sich das Sägeband beim Betrieb nicht verdreht.

### STAUBAUSTRITTÖFFNUNG

Die 53 mm (2-1/8") Staubaustrittöffnung ermöglicht ein staubfreies Schneiden. Befestigen Sie einen Staubbeutel (nicht im Lieferumfang enthalten) oder einen Industriestaubsauger an der Staubaustrittöffnung.

### SICHERUNGSSCHRAUBE FÜR ABDECKUNG

Ermöglicht ein Öffnen der Abdecktür zur Vornahme von Einstellungen.

### GEHRUNGSANSCHLAG

Dieser Anschlag richtet das Holz für einen Querschnitt aus. Die leicht abzulesende Anzeige zeigt den genauen Winkel für einen Gehrungsschnitt bei 15°, 30°, 45° und 60° an.

### RAPIDSET™ BANDSPANNHEBEL

Reguliert die Sägebandspannung beim Austausch des Sägebands sowie bei der Vornahme von Einstellungen für unterschiedliche Sägeanwendungen.

### SÄGEBLATT

Die Säge wird mit einem 6,35 mm (1/4") Standard-Sägeband geliefert.

### SÄGETISCH MIT STICHPLATTE

Ihre Bandsäge ist mit einem Säge Tisch mit Neigeregulierung ausgestattet. Die Stichplatte, die ab Werk im Säge Tisch installiert ist, bietet Spielraum für das Sägeband.

### SKALE UND SKALENANZEIGE

Die Skala und die Skalenanzeige zeigen den Winkel oder den Grad, zu dem der Säge Tisch zum Schrägschneiden geneigt ist.

### TISCHARRETIERHEBEL

Durch Lösen des Tischarretierhebels kann der Säge Tisch mit unterschiedlichen Winkeln geneigt werden. Das Festziehen des Tischarretierhebels arretiert den Säge Tisch in seiner Position.

### BANDLAUFKNOPF

Die BandlaufEinstellung muss so eingestellt sein, dass das Sägeband in der Mitte der Räder bleibt.

### KONTROLLFENSTER

Über das Kontrollfenster können Sie die BandlaufEinstellung kontrollieren.

### EINSCHUBSTAB

Benutzen Sie stets den Einschubstab, um das Werkstück zuzuführen, bis der Tisch wieder frei ist.

#### LISTE DER LOSEN TEILE

Beschreibung	Mge.
Unterlegscheiben	7
Tischarretierhebel	1
Sechskantschlüssel, 3 mm	1
Sechskantschlüssel, 4 mm	1
Sechskantschlüssel, 5 mm	1
Gehrungsanschlag	1
Hutmuttern	4
FüÙe	4
Sägetisch	1
Verriegelungsbolzen	2
Sechskantmuttern	2
VerlängerungsstüÙe	1
Parallelanschlag	1
Einschubstab	1
Gebrauchsanweisung	1

#### ZUSAMMENBAU

##### AUSPACKEN

Dieses Produkt muss montiert werden.

- Heben Sie das Produkt vorsichtig aus dem Karton und platzieren Sie es auf einer ebenen Arbeitsfläche.

##### WARNUNG

Wenn eines der Teile, die auf der Liste der losen Teile aufgeführt ist, beim Auspacken bereits an Ihrem Produkt montiert ist, dann sollten Sie das Produkt nicht benutzen. Die auf dieser Liste aufgeführten Teile sind nicht vom Hersteller am Produkt montiert; sie müssen vom Kunden montiert werden. Die Benutzung eines Produkts, das nicht ordnungsgemäß montiert wurde, kann zu schwerwiegenden Personenschäden führen.

- Untersuchen Sie das Werkzeug sorgfältig auf etwaige Schäden, die möglicherweise beim Transport entstanden sind.



**Deutsch**

**HINWEIS:** Diese Säge wurde ohne Sägebandspannung geliefert. Stellen Sie die Sägebandspannung ordnungsgemäß ein, bevor Sie diese Säge benutzen.

- Entsorgen Sie das Verpackungsmaterial erst, wenn Sie das Werkzeug sorgfältig untersucht und zufriedenstellend betrieben haben.
- Falls Teile beschädigt sein sollten oder gar fehlen, rufen Sie bitte beim Servicecenter an. Dort wird man Ihnen weiterhelfen.

**⚠ WARNUNG**

Falls Teile beschädigt sein sollten oder gar fehlen, darf dieses Produkt erst betrieben werden, wenn diese Teile ersetzt wurden. Die Benutzung dieses Produkts mit beschädigten oder fehlenden Teilen kann zu schwerwiegenden Personenschäden führen.

**⚠ WARNUNG**

Versuchen Sie nicht dieses Werkzeug zu verändern, oder Zubehörteile, deren Verwendung nicht für dieses Werkzeug empfohlen ist, zu benutzen. Jede solche Änderung oder Umbau ist missbräuchlich, und könnte zu einer gefährlichen Situation mit möglichen schweren Verletzungen führen.

**⚠ WARNUNG**

Das Gerät darf erst nach vollständiger Montage an die Stromzufuhr angeschlossen werden. Eine Nichtbeachtung dieser Anweisung kann zu einem versehentlichen Starten und möglicherweise auch zu schwerwiegenden Personenschäden führen.

**MONTAGE DES PRODUKTS AUF DER WERKBANK**

Wenn das Produkt an einem Ort dauerhaft benutzt werden soll, muss es auf einer festen und belastbaren Fläche montiert werden, wie beispielsweise auf einer Werkbank. Zu diesem Zweck sind im Sockel der Säge vier Bohrungen vorgesehen. Die Schrauben (nicht im Lieferumfang enthalten) sollten lang genug sein, um durch den Sockel, die Sicherungsscheiben (nicht im Lieferumfang enthalten), die Sechskantmutter (nicht im Lieferumfang enthalten) sowie die Dicke der Werkbank passen. Ziehen Sie alle vier Schrauben fest an.

Überprüfen Sie die Werkbank nach der Montage sorgfältig, um sicherzustellen, dass sie sich während der Benutzung nicht bewegen kann. Wenn Sie dabei ein Kippen, Verrutschen oder Verrücken bemerken, müssen Sie die Werkbank vor der Inbetriebnahme der Säge fest am Boden sichern.

- Platzieren Sie das Produkt auf der Werkbank.

Benutzen Sie den Sockel als Muster, fixieren und markieren Sie die Löcher, wo das Produkt montiert werden soll.

- Bohren Sie die Löcher durch die Werkbank.
- Platzieren Sie die Bandsäge auf der Werkbank und richten sie dabei die Löcher mit dem Sockel und mit den durch die Werkbank gebohrten Löchern aus.
- Führen Sie die Schrauben (nicht im Lieferumfang enthalten) ein und sichern Sie diese mit Sicherungsscheiben und Sechskantmutter (nicht im Lieferumfang enthalten). **HINWEIS:** Die Schrauben müssen von oben eingeführt werden. Bringen Sie die Sicherungsscheiben und Sechskantmutter von der Unterseite der Werkbank an.

**FESTKLEMMEN DES PRODUKTS AN DER WERKBANK**

*Siehe Abbildung 4.*

Falls das Produkt als tragbares Werkzeug benutzt werden soll, empfehlen wir Ihnen, das Produkt in dauerhafter Form mit einem Montagebrett zu verbinden, das einfach an der Werkbank oder auf einer anderen belastbaren Fläche befestigt werden kann. Das Montagebrett sollte ausreichend groß sein, um ein Kippen der Säge während der Benutzung zu vermeiden. Empfohlen wird ein Brett von guter Qualität, aus Sperrholz oder Spanholz, mit einer Dicke von 19 mm (3/4").

Bei der Verwendung von Schlüsselschrauben müssen Sie sicherstellen, dass diese lang genug sind, um durch die Bohrlöcher im Sockel und durch das Material, auf dem die Säge montiert wird, zu gehen. Bei der Verwendung von Maschinenschrauben müssen Sie sicherstellen, dass diese lang genug sind, um durch die Bohrlöcher im Sockel, durch das Material, auf dem die Säge montiert wird, und durch die Unterlegscheiben und Sechskantmutter zu gehen.

**HINWEIS: ES KANN ERFORDERLICH SEIN, DIE SECHSKANTMUTTERN UND DIE UNTERLEGSHEIBEN AUF DER UNTERSEITE DES MONTAGEBRETTES ZU VERSENKEN.**

- Bei der Montage der Säge sollten sie die Bohrlöcher im Sockel als Vorlage für die Lochmuster benutzen. Fixieren und markieren Sie die Löcher an der Stelle, an der die Bandsäge montiert werden soll.
- Befolgen Sie die letzten drei Schritte im Abschnitt „Montage des Produkts auf der Werkbank“.

**MONTAGE DES SÄGETISCHS**

*Siehe Abbildungen 5, 7.*

- Entfernen Sie die Einpressmutter Typ D, die Unterlegscheiben und die Flügelschraube auf dem Sägefleisch.





## Deutsch

- Wenn Sie vor der Bandsäge stehen, schieben Sie den Säge Tisch am Sägeband vorbei und durch den Schlitz, in einer Bewegung von der rechten Seite des Säge Tischs zur linken Seite.
- Während Sie den Säge Tisch mit Ihrer linken Hand halten und das Winkeleinstellhandrad vom Sägerahmen wegdrücken, richten Sie die Zähne am Säge Tischwinkel mit den Zähnen am Winkeleinstellhandrad aus. Lassen Sie das Handrad los.
- Passen Sie die Stifte am Rahmen in die Schlitzte am Säge Tischwinkel ein.
- Fügen Sie die Unterlegscheibe am Gewindeende des Tischarretierhebels ein. Machen Sie den Säge Tisch am Sägerahmen fest, indem Sie den Tischarretierhebel im Uhrzeigersinn drehen.
- Befestigen Sie die Einpressmutter Typ D, die Unterlegscheiben und die Flügelschraube am Säge Tisch.

**HINWEIS:** Die Flügelschraube ist unter dem Säge Tisch anzubringen.

### INSTALLIEREN DER VERLÄNGERUNGSSTÜTZE

Siehe Abbildung 6.

- Führen Sie die Rohre der Verlängerungsstütze von der Rückseite in die Bohrlöcher im Sockel ein.
- Richten Sie die Bohrlöcher an den Rohren mit denen am Sockel aus.
- Führen Sie die Verriegelungsbolzen und ziehen Sie diese mit den Unterlegscheiben und Sechskantmuttern fest.

### AUSGLEICHEN VON SÄGETISCH UND SÄGEBAND

Siehe Abbildungen 8 bis 9.

- Drehen Sie das Arretierhandrad gegen den Uhrzeigersinn, um die Blattführungsvorrichtung zu entsperren. Drehen Sie das Blattführungshandrad im Uhrzeigersinn, um die Blattführungsvorrichtung so weit wie möglich nach oben zu heben. Drehen Sie das Arretierhandrad im Uhrzeigersinn, um die Vorrichtung wieder zu fixieren.
- Platzieren Sie den kleinen Kombinationswinkel auf dem Säge Tisch, direkt neben dem Sägeband.
- Lösen Sie den Tischarretierhebel und drehen Sie das Winkeleinstellhandrad, um den Säge Tisch nach oben oder nach unten auszurichten, auf 90° zum Sägeband (0°-Position). Drehen Sie den Tischarretierhebel wieder fest.
- Drehen Sie die Einstellschraube bis die Schraube das Sägegehäuse gerade berührt.
- Überprüfen Sie, ob Säge Tisch und Sägeband korrekt ausgerichtet sind. Falls erforderlich müssen Sie

entsprechend nachjustieren.

- Stellen Sie die Skalenanzeige auf null und drehen Sie die Schraube mit einem Kreuzschlitzschraubendreher fest.

**HINWEIS:** Bevor Sie mit einem neuen Projekt beginnen, müssen Sie immer einen Probeschnitt durchführen, um sicherzustellen, dass das Sägeband korrekt ausgerichtet ist. Falls die Ausrichtung nicht korrekt ist, kann es erforderlich sein, die Schrauben oder dem Säge Tisch zu lösen und die entsprechenden Einstellungen vorzunehmen (der Gehrungsschlitz muss parallel zum Sägeband sein). Wenn die Ausrichtung korrekt ist, ziehen Sie die Schrauben wieder an.

### EINSTELLEN SÄGEBANDSPANNUNG

Siehe Abbildungen 10-11.

- Schalten Sie das Produkt aus.
- Bevor Sie die Bandsäge benutzen, drehen Sie das Bandspannhandrad oben auf der Säge im Uhrzeigersinn, um die Spannung einzustellen.
- **HINWEIS:** Die Sägebandspannung kann jederzeit eingestellt werden.
- Zupfen Sie am hinteren geraden Ende des Sägebands, wie bei einer Gitarrensaiten, während Sie am Bandspannhandrad drehen.

Der Ton wird höher, je höher die Spannung ist. Stellen Sie die Sägebandspannung niemals so hoch ein, dass die Feder vollständig zusammengedrückt wird. Wenn die Feder vollständig zusammengedrückt wäre, könnte sie ihre Funktion als Stoßdämpfer nicht mehr erfüllen.

Eine zu hohe Spannung könnte das Sägeband zum Zerreißen bringen. Dickere Werkstücke erfordern eine höhere Spannung; nicht bei allen Schneidvorgängen ist die maximale Spannung erforderlich. Eine zu niedrige Spannung könnte dazu führen, dass das Sägeband von den Rädern abrutscht.

### BANDLAUFEINSTELLUNG

Siehe Abbildung 11.

Vor der Bandlaufeinstellung muss die Sägebandspannung korrekt eingestellt werden. Überprüfen Sie, dass die Blattführungen den Lauf des Sägebands nicht beeinträchtigen. Die Zahnlücken (der tiefste Punkt zwischen zwei Sägezähnen) müssen in der Mitte des Reifens aufliegen.

### Zum Einstellen:

Trennen Sie das Gerät von der Stromzufuhr. Öffnen Sie die Abdecktüren, indem Sie die Sicherungsschraube losschrauben. Prüfen Sie die Position des Sägebands auf dem oberen Reifen mit der Hand und drehen Sie dabei das obere Rad langsam im Uhrzeigersinn. Falls sich das Sägeband von der Mitte des Reifens wegbewegt, muss





**Deutsch**

die Bandlaufeinstellung entsprechend angepasst werden.

**Falls sich das Sägeband nach links oder rechts von der Mitte bewegt:**

- Drehen Sie den Bandlaufknopf (im Uhrzeigersinn, falls sich das Sägeband nach links bewegt hat; gegen den Uhrzeigersinn, falls sich das Sägeband nach rechts bewegt hat) und bewegen sie dabei das Rad mit der Hand, bis sich das Sägeband zurückbewegt und in der Mitte des Reifens positioniert ist.
- Überprüfen Sie die Position des Sägebands auf dem unteren Reifen. Das Sägeband muss vollständig auf dem Reifen liegen (die Zahnücke des Sägebands in der Mitte). Falls nicht, korrigieren Sie die Bandlaufeinstellung, bis das Sägeband auf beiden Reifen richtig positioniert ist.
- Drehen Sie das obere Rad mit der Hand, im Uhrzeigersinn, für mehrere Runden. Stellen Sie sicher, dass das Sägeband in der gleichen Position auf den Reifen bleibt. Korrigieren Sie die Bandlaufeinstellung gegebenenfalls, bis das Sägeband richtig positioniert ist.
- Schließen Sie die Abdecktüren und drehen Sie die Sicherungsschraube wieder fest.
- Schalten Sie das Produkt an.
- Überprüfen Sie, ob das Sägeband auf dem Reifen zentriert ist (über das Kontrollfenster). Falls das Band nicht zentriert ist, wiederholen Sie die vorstehenden Schritte.

**⚠️ WARNUNG**

Die Blattführungen sind ab Werk voreingestellt. Für einige Anwendungen sind diese Einstellungen zweckmäßig. Wir empfehlen Ihnen, die Einstellungen der Blattführung vor dem erstmaligen Gebrauch Ihrer Säge zu überprüfen und entsprechend Ihrer Anwendung einzustellen. Im Abschnitt „Einstellungen“ dieser Gebrauchsanweisung finden Sie weitere Informationen zum „Einstellen der Axiallager und der Blattführungsstützen“.

**INSTALLIEREN DES PARALLELANSCHLAGS**

- Platzieren Sie den Parallelanschlag auf der linken Seite des Sägētisches, mit dem Arretiergriff vorne.
- Drücken Sie den Arretiergriff nach unten, um die Position des Parallelanschlags zu fixieren.
- Drehen Sie am Arretiergriff, um die Anzugskraft der Klemmen zu regulieren.

**BETRIEB**

**⚠️ WARNUNG**

Bleiben Sie, auch nachdem Sie sich mit Ihrem Gerät vertraut gemacht haben, stets wachsam. Denken Sie daran, dass eine Unkonzentriertheit für einen Sekundenbruchteil genügen kann, um eine schwere Verletzung zu verursachen.

**⚠️ WARNUNG**

Tragen Sie immer Augenschutz! Die Missachtung dieser Anweisung kann dazu führen, dass Fremdkörper in Ihre Augen fliegen und schwere Augenverletzungen verursachen können.

**⚠️ WARNUNG**

Verwenden Sie keine Aufsätze oder Zubehör, das nicht durch den Hersteller dieses Produkts empfohlen wird. Die Verwendung von nicht empfohlenen Komponenten oder Zubehörteilen kann zu schweren Verletzungen führen.

**⚠️ WARNUNG**

Zur Vermeidung eines unbeabsichtigten Kontakts stellen Sie Blattführungsvorrichtung so ein, um das Werkstück freizugeben. Die Missachtung dieser Vorschrift kann zu schweren Körperverletzungen führen.

**⚠️ WARNUNG**

Werkstücke dürfen nur bearbeitet werden, wenn der Blattschutz gesichert und die Abdecktüren verschlossen sind. Andernfalls drohen schwerwiegende Personenschäden.

**BEDIENUNG DER BANDSÄGE - GRUNDFUNKTIONEN**

Die Bandsäge ist im Wesentliche eine Maschine zum Kurvenschneiden, die aber auch zum geraden Schneiden verwendet werden kann, wie beispielsweise Querschnitten, Gehrungen, Abschrägungen, Doppelwinkelschnitten und Zurechtschnitten. Beim Benutzen der Bandsäge zum geraden Schneiden, kann der Bediener einen Anschlag benutzen, zusammen mit einem Holzstück angemessener Größe, das am Tisch mit C-Klemmen befestigt wird. Innen- oder nicht durchgängige Schnitte sind mit dieser Säge nicht möglich.





**Deutsch**

Bevor Sie mit dem Schneiden beginnen, beobachten Sie das Produkt beim Laufen. Falls Sie übermäßige Vibrationen oder ungewöhnliche Geräusche bemerken, müssen Sie das Produkt sofort stoppen. Schalten Sie das Produkt ab und trennen Sie die Stromzufuhr. Bevor Sie das Produkt erneut starten, müssen Sie das jeweilige Problem ausfindig gemacht und behoben haben.

**SCHNEIDVERFAHREN**

- Halten Sie das Werkstück immer sicher gegen den Tisch.
- Beim Zuführen der Werkstücke zum Sägeband müssen Sie leichten Druck und beide Hände benutzen. Üben Sie keinen übermäßigen Druck aus; überlassen Sie dem Sägeband das Schneiden.
- Der kleinste Durchmesserkreis, der mit dieser Säge geschnitten werden kann, wird durch die Sägebandbreite bestimmt. Ein Sägeband mit einer Breite von 6,35 mm (1/4") ist für das Schneiden von Werkstücken mit einem Durchmesser von mindestens 38 mm (1-1/2") geeignet.
- Halten Sie die Hände von den Sägeblättern fern! Werkstücke, die so klein sind, dass Ihre Finger unter den Blattschutz gelangen könnten, dürfen Sie zur Bearbeitung nicht mit der Hand festhalten.
- Vermeiden Sie ungeschickte Arbeitsvorgänge und Handpositionen, die bei einem plötzlichen Abrutschen zu schwerwiegenden Personenschäden durch den Kontakt mit dem Sägeband führen könnten. Legen Sie die Hände niemals in den Sägebandverlauf.
- Beim Schneiden von großen, kleinen oder unhandlichen Werkstücken müssen Sie zusätzliche Stützmittel (wie Tisch, Sägebock, Blöcke usw.) benutzen.
- Benutzen Sie niemals eine Person als Ersatz für eine Tischverlängerung oder als zusätzliche Stütze für ein Werkstück, das länger oder breiter als die Grundfläche des Sägetisches ist.
- Beim Schneiden von unregelmäßig geformten Werkstücken müssen Sie Ihre Arbeit so planen, dass das Sägeband nicht eingeklemmt wird. Formstücke müssen beispielsweise flach auf dem Sägetisch liegen. Beim Schneiden dürfen sich die Werkstücke nicht verdrehen, verkanten oder verrutschen.

Beim Sichern des Werkstücks kann das Sägeband in der Kerbe steckenbleiben. Dies passiert dann, wenn die Kerbe mit Sägestaub verstopft ist oder wenn das Sägeband aus den Führungen gerät. In diesem Fall müssen Sie wie folgt vorgehen:

- Schalten Sie das Produkt aus. Warten Sie, bis die Säge zum vollständigen Stillstand gekommen ist
- Trennen Sie das Produkt von der Stromversorgung.
- Reinigen Sie die Kerbe mit einem flachen

Schraubendreher oder einem Holzkeil.

- Öffnen Sie die Abdecktüren und drehen Sie mit der Hand am oberen Hand, wobei Sie das Werkstück sichern.

**FREIFRÄSEN**

Das Freifräsen ist erforderlich, wenn eine komplizierte Kurve (mit einem zu kleinen Radius für das Sägeband) zu schneiden ist. Schneiden Sie zunächst an einem Ausschuss-Abschnitt des Werkstücks eine Kurve entlang der Musterlinie, und ziehen Sie dann vorsichtig das Sägeband zurück. Bevor Sie der Musterlinie für die komplizierte Kurve folgen, sollten Sie mehrere Freifrässchnitte durchführen. Durch das Abschneiden kleinerer Abschnitte der Kurve entlasten Sie das Sägeband, durch verringerten Druck.

**KONTURSCHNITTE**

Beim normalen Dekupieren sollten Sie den Musterlinien folgen, indem Sie das Werkstück gleichzeitig drücken und drehen. Versuchen Sie nicht, das Werkstück bei Kontakt mit dem Sägeband zu drehen, ohne es zu drücken, denn dadurch könnte sich das Werkstück verklemmen oder das Sägeband verdrehen.

**ENTFERNEN VON EINGEKLEMMTEN MATERIAL**

Eingeklemmtes Material darf erst entfernt werden, wenn das Sägeband zum vollständigen Stillstand gekommen ist.

- Schalten Sie das Produkt aus. Warten Sie, bis die Säge zum vollständigen Stillstand gekommen ist
- Unterbrechen Sie die Stromzufuhr des Geräts, bevor Sie das eingeklemmte Material entfernen.

**VERLETZUNGEN VERMEIDEN**

- Stellen Sie sicher, dass die Säge nivelliert ist und nicht wackelt. Die Säge muss auf einer festen und ebenen Fläche stehen, mit ausreichend Platz zum Bearbeiten und ordnungsgemäßen Halten der Werkstücke.
- Verschrauben Sie die Säge auf einer belastbaren Fläche, um ein Verrutschen während der Bedienung, insbesondere beim Bearbeiten von langen und schweren Brettern, zu vermeiden.
- Schalten Sie die Säge aus und ziehen Sie den Netzstecker, bevor Sie die Säge bewegen.
- Eingeklemmtes Material darf erst entfernt werden, wenn das Sägeband zum vollständigen Stillstand gekommen ist.
- Benutzen Sie immer die richtige Sägebandgröße und den richtigen Sägebandtyp für das jeweilige Material und die jeweilige Schneidmethode.
- Stellen Sie sicher, dass die Zähne des Sägebands nach unten zum Sägetisch zeigen, dass die





**Deutsch**

Blattführungen, Axiallager und die Sägebandspannung ordnungsgemäß eingestellt sind, dass das Blattführungshandrad festgedreht ist, und dass kein Teil übermäßiges Spiel hat.

- Zur Vermeidung eines unbeabsichtigten Kontakts mit dem Sägeband, zur Minimierung von Bruchschäden am Sägeband und zur Sicherstellung des maximalen Supports für das Sägeband, um das Werkstück freizugeben.
- Verwenden Sie nur empfohlenes Zubehör.
- Mit Ausnahme des Werkstücks und etwaiger Haltevorrichtungen muss der Säge Tisch frei von sonstigen Gegenständen sein, bevor Sie die Säge anschalten.
- Runde Materialien wie Dübelstangen oder Rohre müssen ordnungsgemäß gesichert werden, weil sie dazu tendieren, während des Schneidevorgangs wegzurollen, was zu einem „Festbeißen“ des Sägebands führen könnte. Um dies zu vermeiden, benutzen Sie stets einen V-Block oder klemmen Sie das Werkstück gegen den Gehrungsanschlag fest.
- Vor dem Entfernen loser Teile vom Säge Tisch, muss die Säge abgeschaltet werden und sämtliche beweglichen Teile müssen vollständig zum Stillstand gekommen sein.

**AN-/AUSSCHALTEN DES PRODUKTS**

*Siehe Abbildung 12.*

- Drücken Sie auf „I“, um das Produkt anzuschalten.
- Drücken Sie auf „O“, um das Produkt auszuschalten.

**VOR DEM VERLASSEN DES PRODUKTS**

*Siehe Abbildung 12.*

- Schalten Sie das Produkt aus. Warten Sie, bis die Säge zum vollständigen Stillstand gekommen ist
- Trennen Sie das Produkt von der Stromversorgung.
- Machen Sie die Werkstatt kindersicher.
- Lösen Sie die Spannung vom Sägeband. Benutzen Sie dazu den Rapidset™ Bandspannhebel. Dadurch verlängern Sie die Lebensdauer des Sägebands.
- Schließen Sie die Werkstatt ab.

**AN-/AUSSCHALTEN DES ARBEITSLICHTS**

*Siehe Abbildung 13.*

- Drücken Sie auf „“, um das Arbeitslicht anzuschalten.
- Drücken Sie auf „O“, um das Arbeitslicht auszuschalten.

**NEIGEN DES SÄGETISCHS**

*Siehe Abbildung 14.*

- Lösen Sie das Arretierhandrad am Säge Tisch leicht.
- Drehen Sie am Winkeleinstellhandrad, neigen Sie den Säge Tisch bis er den gewünschten Winkel erreicht.
- Benutzen Sie dabei die Skalenanzeige und orientieren Sie sich an den Winkelmarkierungen.
- Drehen Sie das Arretierhandrad wieder fest, um den Säge Tisch sicher in Position zu halten.

**BENUTZEN DES GEHRUNGSANSCHLAGS**

*Siehe Abbildungen 15 bis 16.*

Der Gehrungsanschlag kann nach rechts oder links um maximal 60° verstellt werden.

- Lösen Sie das Arretierhandrad am Gehrungsanschlag.
- Drehen Sie den Gehrungsanschlag, mit dem Gehrungsanschlag im Gehrungsanschlagsschlitz, bis der gewünschte Winkel auf der Anzeigeskala erreicht ist.
- Drehen Sie das Arretierhandrad wieder fest.

**BENUTZEN DES PARALLELANSCHLAGS**

Der Parallelanschlag wird bei allen Parallelarbeitsvorgängen benutzt. Bei diesen Arbeiten muss der Anschlag immer in Position und ordnungsgemäÙe gesichert sein.

- Positionieren Sie den Anschlag in der gewünschten Breite des Anschlags und sichern Sie ihn ordnungsgemäÙ.
- Bevor Sie mit dem Schneiden beginnen müssen Sie sicherstellen, dass der Parallelanschlag parallel zum Sägeband positioniert ist. Beim Schneiden länger Bretter oder großer Platten müssen Sie immer eine geeignete Stützvorrichtung benutzen.
- Halten Sie das Werkstück gegen den Anschlag und führen Sie es dem Sägeband mit leichtem und gleichmäÙigem Druck zu.

**EINSTELLUNGEN**

**WARNUNG**

Bevor Sie irgendwelche Einstellungen vornehmen, müssen Sie sicherstellen, dass das Gerät von der Stromzufuhr getrennt ist und dass der Schalter in der Aus-Position steht. Die Nichtbeachtung dieser Warnung kann zu schweren Verletzungen führen.

**WARNUNG**

Zur Vermeidung von Personenschäden müssen die SägebandlaufEinstellung, die BandlaufEinstellung, die Blattführungen und die Axiallager stets korrekt eingestellt sein.





**Deutsch**

**INSTALLIEREN UND EINSTELLEN DES SÄGEBANDS**

*Siehe Abbildung 17.*

- Lösen und entfernen Sie die Flügelschraube, die Unterlegscheiben und die Einpressmutter Typ D vom Sägetisch.
- Öffnen Sie die Abdecktüren, indem Sie die Sicherungsschraube losschrauben.
- Drehen Sie das Arretierhandrad gegen den Uhrzeigersinn, um die Blattführungsvorrichtung zu entsperren. Drehen Sie am Blattführungshandrad (im Uhrzeigersinn, um die Blattführungsvorrichtung höher zu stellen; gegen den Uhrzeigersinn, um sie niedriger zu stellen). Positionieren Sie die Blattführungsvorrichtung ungefähr auf der Mitte zwischen Sägetisch und Sägegehäuse. Drehen Sie das Arretierhandrad wieder fest.
- Öffnen Sie den Blattschutz, indem Sie die linke Seite des Schutzes weg vom Rad ziehen.
- Lösen Sie die Sägebandspannung vom Sägeband.
- Entfernen Sie vorsichtig das alte Sägeband.
- Tragen Sie Schutzhandschuhe und entrollen Sie das Sägeband vorsichtig mit einer Armlänge Abstand. Falls das neue Sägeband zur Vermeidung von Oxidation eingeölt war, kann es erforderlich sein, das Sägeband abzuwischen, damit die zu bearbeitenden Werkstücke nicht mit Öl kontaminiert werden. Seien Sie beim Abwischen vorsichtig und wischen Sie in die Richtung, in die die Zähne zeigen, damit der Lappen nicht an den Zähnen des Sägebands hängenbleibt.

**HINWEIS:** Das Sägeband muss möglicherweise umgedreht werden, falls die Zähne in die falsche Richtung zeigen. Halten Sie das Sägeband mit beiden Händen und drehen Sie es nach innen.

- Die Zähne des Sägebands müssen zur linken Seite der Säge und nach unten ausgerichtet sein. Positionieren Sie das Sägeband durch die untere Blattführung und um beide Räder herum.
- Drehen Sie das obere Rad langsam per Hand nach rechts bzw. im Uhrzeigersinn, um das Sägeband auf den Gummireifen zu zentrieren.
- Drehen Sie den RapidSet™ Bandspannhebel wieder fest und stellen Sie die Sägebandspannung ein; überprüfen Sie die Bandlaufeinstellung und justieren Sie diese bei Bedarf.
- Stellen Sie die obere und die untere Blattführung sowie die Axiallager ein, entsprechend den Anweisungen, die nachfolgend in dieser Gebrauchsanweisung ausgeführt sind.
- Befestigen Sie die Flügelschraube, die Unterlegscheiben und die Einpressmutter Typ D. Ziehen Sie diese sicher fest.
- Schließen Sie den Blattschutz und die Abdecktür.

Ziehen Sie die Sicherungsschraube der Abdecktür fest.

**EINSTELLEN DER BLATTFÜHRUNGSVORRICHTUNG**

*Siehe Abbildungen 18 bis 19.*

Um ein Verdrehen oder gar Brechen des Sägebands zu verhindern, muss die Blattführungsvorrichtung stets ca. 3,2 mm (1/8") über dem Werkstück eingestellt sein.

- Drehen Sie das Arretierhandrad gegen den Uhrzeigersinn, um die Blattführungsvorrichtung zu entsperren.
- Zur Orientierung sollten Sie ein Ausschusstück aus demselben Holz wie das zu bearbeitende Stück verwenden, um die Höhe der Blattführungsvorrichtung entsprechend einzustellen. Stellen Sie die Blattführungsvorrichtung durch Drehen des Blattführungshandrads ein.
- Sichern Sie die Blattführungsvorrichtung, indem Sie das Arretierhandrad im Uhrzeigersinn drehen.
- Vor dem Anschalten der Bandsäge müssen Sie sich stets vergewissern, dass die Blattführungsvorrichtung richtig positioniert ist.

**EINSTELLEN DER BLATTFÜHRUNGSSTÜTZE UND DER AXIALLAGER**

*Siehe Abbildungen 20 bis 21.*

**HINWEIS:** Ziehen Sie das Arretierhandrad fest und konsultieren Sie vor der Vornahme der Einstellungen die Punkte „Einstellen der Sägebandspannung“ und „Bandlaufeinstellung“, die im Abschnitt EINSTELLUNGEN dieser Gebrauchsanweisung erläutert sind.

Das obere und untere Axiallager und die Blattführungsstützen führen das Sägeband beim Schneidvorgang. Das Einstellen der Lager und Führungen sollte jedes Mal überprüft werden, wenn ein anderes Sägeband aufgezogen wird.

**Zum Einstellen der Axiallager:**

Die Axiallager stützen beim Sägen die Hinterseite des Sägebands. Das Sägeband darf die Axiallager nicht berühren, wenn Sie den Schneidvorgang stoppen. Es ist wichtig, dass das obere und untere Axiallager gleich eingestellt sind.

- Öffnen Sie die Abdecktüren und den Blattschutz.
- Benutzen Sie einen Sechskantschlüssel, lockern Sie die Schrauben des oberen und unteren Axiallagers und drücken Sie die Axiallager zur Rückseite der Säge.
- Überprüfen Sie, dass die Bandlaufeinstellung korrekt ist, schieben Sie dann das Axiallager nach vorne, bis das Lager innerhalb von 0,4 mm (1/64") vom Sägeband positioniert ist. Ziehen Sie die Axiallagerschraube sicher fest.







**Deutsch**

- Schieben Sie das untere Lager nach vorne, bis es ausreichend Spiel hat. Ziehen Sie die Axiallagerschraube sicher fest.

**Zum Einstellen der Blattführungsstütze:**

- Lockern Sie die Blattführungsstütze und die Blattführungseinstellschrauben mit einem Sechskantschlüssel.
- Schieben Sie die obere Blattführungsstütze auf dem Schaft bis die Vorderseite der Führung das Sägeband hinter der Zahnücke berührt. Ziehen Sie die Schraube sicher fest.
- Drücken Sie die rechte Führung bis sie das Sägeband berührt und lassen Sie sie dann los. Drehen Sie das Rad langsam einmal komplett herum. Ziehen Sie die Blattführungseinstellschrauben sicher fest.
- Stellen Sie die linke Führung so ein, dass zwischen dem Sägeband und der Führung ein Spiel von 0,4 mm (1/64") verbleibt (ungefähr die Dicke einer Spielkarte). Überprüfen Sie den Abstand, indem Sie zwischen der linken Führung und dem Sägeband eine Spielkarte einführen.
- Üben Sie Druck auf den Stift der linken Führung aus, um die Spielkarte in Position zu halten. Ziehen Sie die eingestellte Schraube fest und entfernen Sie die Spielkarte wieder.
- Drehen Sie das Sägeband von Hand, drei vollständige Drehungen, um sicherzustellen, dass sich das Sägeband nicht verklemmt.
- Schließen Sie den Blattschutz und die Abdecktür. Ziehen Sie die Schraube wieder zu.

Wiederholen Sie diesen Vorgang für die untere Blattführungsstütze.

**EINSTELLEN DES PARALLELANSCHLAGS**

- Lösen Sie den Arretiergriff, indem Sie ihn gegen den Uhrzeigersinn drehen.
- Bewegen Sie den Parallelanschlag zur gewünschten Position.
- Drücken Sie den Arretiergriff nach unten, um die Position des Parallelanschlags zu fixieren.
- Drehen Sie am Arretiergriff, um die Anzugskraft der Klemmen zu regulieren.

**WARTUNG UND PFLEGE**

**⚠️ WARNUNG**

Verwenden Sie zur Wartung nur Original Ersatzteile. Der Einsatz von anderen Teilen kann eine Gefahr verursachen oder das Produkt beschädigen.

**⚠️ WARNUNG**

Tragen Sie beim Bearbeiten von Werkstücken immer einen geeigneten Augenschutz. Tragen Sie außerdem bei staubigen Arbeiten eine Atemschutzmaske.

**⚠️ WARNUNG**

Bevor Sie irgendwelche Arbeiten vornehmen, müssen Sie sicherstellen, dass das Gerät von der Stromzufuhr getrennt ist und dass der Schalter in der Aus-Position steht. Die Nichtbeachtung dieser Warnung kann zu schweren Verletzungen führen.

**ALLGEMEINE WARTUNG UND PFLEGE**

Vermeiden Sie beim Reinigen der Plastikteile den Einsatz von Lösungsmitteln. Die meisten Kunststoffe sind anfällig gegen die verschiedensten Arten von kommerziellen Reinigungsmitteln und können durch deren Verwendung beschädigt werden. Benutzen Sie saubere Lappen um Schmutz, Staub, Öl, Fett usw. zu entfernen.

**⚠️ WARNUNG**

Lassen Sie niemals Bremsflüssigkeiten, Benzine, Produkte auf Erdölbasis, Rostlöser usw. mit den Plastikteilen in Kontakt geraten. Chemikalien können Plastik beschädigen, aufweichen oder zerstören, was zu schweren Verletzungen führen kann.

- Halten Sie das Produkt sauber.
- Der Sägestaub im Innern muss häufig entfernt werden.
- Achten Sie darauf, dass der Sägetisch, die Blattführungen und die Axiallager frei von Rückständen sind. Reinigen Sie diese Teile mit Gummi- und Rückstandsentrferner.
- Bringen Sie eine dünne Schicht Wachs (autowachsartig) auf dem Sägetisch auf, damit das Holz beim Schneiden leicht über den Tisch gleitet.

**Ölen**

Alle Lagerelemente in diesem Werkzeug sind mit genug qualitativ hochwertigem Schmiermittel für die gesamte Lebensdauer unter normalen Betriebsbedingungen geölt. Es ist daher keine zusätzliche Schmierung erforderlich.

**REIFEN**

**Reinigen der Reifen:**

- Auf den Reifen sammeln sich Rückstände und Sägestaub an, die mit einer feinen Drahtbürste oder mit einem Holzstück entfernt werden müssen.



## Deutsch

**Verwenden Sie dabei keine scharfen Messer oder irgendwelche Lösungsmittel.**

### Austausch der Reifen:

- Öffnen Sie die Abdecktür und entfernen Sie das Sägeband. Siehe dazu den Abschnitt „Installieren und Einstellen des Sägebands“.
- Entfernen Sie den abgenutzten Reifen vorsichtig vom Rad.
- Ziehen Sie den neuen Reifen auf das Rad.
- Ersetzen Sie das Sägeband und schließen Sie die Abdecktür wieder.

### BÜRSTE

Siehe Abbildung 22.

Im Innern des Sägegehäuses, direkt neben dem Rad, befindet sich eine Bürste. Diese dient dem Schutz des Reifens und des Rades, indem Sägestaub weggebürstet wird. Da sich die Bürste mit der Zeit abnutzt, muss sie gelegentlich neu eingestellt und neu positioniert werden.

- Entfernen Sie die Schraube und die Unterlegscheibe und ziehen Sie die Bürste ab.
- Platzieren Sie die neue Bürste in der Rille.
- Nehmen Sie die Neuinstallation vor und benutzen Sie dabei die Unterlegscheibe und die Schraube.

## TRANSPORT UND AUFBEWAHRUNG

Siehe Abbildungen 23 bis 24.

- Wenn Sie das Produkt transportieren möchten, trennen Sie zunächst die Stromzufuhr, lassen Sie den Blattschutz herunter und zerlegen Sie das Produkt. Verstauen Sie den Einschubstab auf der Seite des oberen Gehäuses. Heben Sie das Produkt am oberen Gehäuse wie gezeigt an. Lagern Sie das Produkt an einem sicheren Ort, der für Kinder nicht zugänglich ist.
- Reinigen Sie das Produkt mit einer Bürste und einem Staubsauger, bevor Sie es einlagern.

## UMWELTSCHUTZ



Recyceln Sie die Rohstoffe, anstatt sie im Haushaltsabfall zu entsorgen. Zum Schutz der Umwelt müssen das Gerät, die Zubehörteile und die Verpackungen getrennt entsorgt werden.

## SYMBOL



Sicherheitswarnung



CE Konformität



Bitte lesen Sie die Anweisungen sorgfältig durch, bevor Sie das Produkt einschalten.



Augenschutz tragen



Gehörschutz tragen



Gefahr! Scharfes Sägeblatt.



Sperren



Öffnen



Maximale Schnitttiefe



Maximale Schnittbreite



Maximaler Schnittwinkel



Betriebsgeschwindigkeit



Klingengröße



Die Stromzufuhr des Geräts muss vor der Durchführung von Wartungsarbeiten unterbrochen werden.

Elektrische Geräte sollten nicht mit dem übrigen Müll entsorgt werden. Bitte entsorgen Sie diese an den entsprechenden Entsorgungsstellen. Wenden Sie sich an die örtliche Behörde oder Ihren Händler, um Auskunft über die Entsorgung zu erhalten.



**Deutsch**

**FEHLERBEHEBUNG**

<b>Problem</b>	<b>Möglicher Grund</b>	<b>Lösung</b>
Der Motor läuft nicht	<ol style="list-style-type: none"> <li>1. Problem mit dem AN-/AUS-Schalter oder mit dem Stromkabel.</li> <li>2. Störung am Motor.</li> <li>3. Sägeband ist verklemmt.</li> </ol>	<ol style="list-style-type: none"> <li>1. Abgenutzte Teile müssen ersetzt werden, bevor Sie das Produkt wieder benutzen.</li> <li>2. Versuchen Sie nicht, irgendwelche Reparaturen selbst vorzunehmen. Lassen Sie Ihr Werkzeug von einer qualifizierten Person reparieren.</li> <li>3. Entfernen Sie eingeklemmtes Material.</li> </ol>
Das Sägeband läuft auf dem oberen Rad nicht in der Mitte.	<ol style="list-style-type: none"> <li>1. Bandlaufeinstellung ist nicht korrekt.</li> </ol>	<ol style="list-style-type: none"> <li>1. Informationen zur Bandlaufeinstellung finden Sie im Abschnitt EINSTELLUNGEN, „Bandlaufeinstellung“.</li> <li>2. Sollten Stromkabel oder Stecker beschädigt sein, lassen Sie sie unverzüglich durch einen qualifizierten Kundendienst austauschen.</li> </ol>
Bandsäge wird beim Schneiden langsamer.	<ol style="list-style-type: none"> <li>1. Schneiden von zu kleinen Radien.</li> <li>2. Sägeband ist stumpf.</li> </ol>	<ol style="list-style-type: none"> <li>1. Stoppen Sie die Zufuhr und stützen Sie das Schneidmaterial leicht, bis die Bandsäge wieder schneller läuft.</li> <li>2. Ersetzen Sie das Sägeband.</li> </ol>
Sägeband ist gerissen.	<ol style="list-style-type: none"> <li>1. Zu hohe Sägebandspannung.</li> <li>2. Knicke und sonstige Beschädigungen am Sägeband werden verursacht, wenn man zu kleine Radien schneidet oder wenn man das Material beim Schneiden zu schnell dreht.</li> <li>3. Axiallager sind verschrammt oder drehen sich nicht mehr.</li> </ol>	<ol style="list-style-type: none"> <li>1. Stellen Sie die Spannung ein. Siehe Abschnitt EINSTELLUNGEN „Einstellen der Sägebandspannung“.</li> <li>2. Wenden Sie die korrekten Schneidetechniken an. Siehe Abschnitt „Betrieb“.</li> <li>3. Ersetzen Sie die Axiallager.</li> </ol>
Das Produkt verursacht beim Laufen Lärm.	<ol style="list-style-type: none"> <li>1. Zu hohe Sägebandspannung.</li> <li>2. Die Blattführungen und Lager berühren das Sägeband.</li> </ol>	<ol style="list-style-type: none"> <li>1. Stellen Sie die Spannung ein. Siehe Abschnitt EINSTELLUNGEN „Einstellen der Sägebandspannung“.</li> <li>2. Stellen Sie die obere und untere Blattführung sowie die Lager ein. Siehe Abschnitt EINSTELLUNGEN „Einstellen der Axiallagers und Blattführungstütze“.</li> </ol>
Sägeband schneidet nicht gerade.	<ol style="list-style-type: none"> <li>1. Blattführungen und Lager sind nicht ordnungsgemäß eingestellt.</li> <li>2. Abgenutztes oder beschädigtes Sägeband.</li> </ol>	<ol style="list-style-type: none"> <li>1. Stellen Sie die obere und untere Blattführung sowie die Lager ein. Siehe Abschnitt EINSTELLUNGEN „Einstellen der Axiallagers und Blattführungstütze“.</li> <li>2. Ersetzen Sie das Sägeband.</li> </ol>





## Deutsch

Blattführungen bleiben nicht in Position.	1. Blattführungsschrauben sind locker.	1. Ziehen Sie die Blattführungsschrauben sicher fest.
Der Motor läuft, aber das Sägeband bewegt sich nicht.	<ol style="list-style-type: none"> <li>1. Die Spannung ist nicht ordnungsgemäß eingestellt.</li> <li>2. Antriebsriemen ist gerissen.</li> </ol>	<ol style="list-style-type: none"> <li>1. Benutzen Sie den Bandspannhebel, um die Spannung ordnungsgemäß einzustellen.</li> <li>2. Sollten Stromkabel oder Stecker beschädigt sein, lassen Sie sie unverzüglich durch einen qualifizierten Kundendienst austauschen.</li> </ol>





**Español (Traducción de las instrucciones originales)**

**DESCRIPCIÓN**

- |   |  |
|---|--|
| 1. Perilla de tensión de la cuchilla              | 53. Bloquear   |
| 2. Tornillo de bloqueo de la cubierta             | 54. Cojinete de empuje                               |
| 3. Ventana de vista de alineación                 | 55. Tornillo del cojinete de empuje                  |
| 4. Luz de trabajo                                 | 56. Tornillo del soporte de las guías de la cuchilla |
| 5. Protección de la cuchilla                      | 57. Soporte de las guías superiores de la cuchilla   |
| 6. Cuchilla de la sierra                          | 58. Guía de la cuchilla                              |
| 7. Indicador de inglete                           | 59. Tornillo de ajuste de las guías de la cuchilla   |
| 8. Boca de salida de polvo                        | 60. Tornillo de las guías de la cuchilla             |
| 9. Indicador de escala                            | 61. Soporte de las guías inferiores de la cuchilla   |
| 10. Perilla de ajuste del ángulo                  | 62. Cepillo  |
| 11. Escala  | 63. Junta  |
| 12. Palanca de bloqueo de la mesa                 | 64. Tornillo   |
| 13. Perilla de bloqueo                            | 65. Goma de la rueda                                 |
| 14. Perilla de ajuste de las guías de la cuchilla |  |
| 15. Palanca de tensión de la cuchilla             |  |
| 16. Placa de entrada                              |  |
| 17. Pomo de alineación                            |  |
| 18. Interruptor de encendido/apagado              |  |
| 19. Mesa de la sierra                             |  |
| 20. Panel inferior delantero                      |  |
| 21. Panel superior delantero                      |  |
| 22. Tope de guía de corte                         |  |
| 23. Interruptor de la luz de trabajo              |  |
| 24. Varilla de empuje                             |  |
| 25. Destornillador de estrella (no incluido)      |  |
| 26. Llave ajustable (no incluido)                 |  |
| 27. Escuadra combinada pequeña (no incluido)      |  |
| 28. Llave hexagonal, 3 mm                         |  |
| 29. Llave hexagonal, 4 mm                         |  |
| 30. Llave hexagonal, 5 mm                         |  |
| 31. Junta   |  |
| 32. Tuercas ciegas                                |  |
| 33. Arandelas                                     |  |
| 34. Pies  |  |
| 35. Pernos de bloqueo                             |  |
| 36. Tuercas hexagonales                           |  |
| 37. Prolongación de soporte                       |  |
| 38. Orificios en la base de la sierra             |  |
| 39. Tuerca en forma de D                          |  |
| 40. Tornillo de mariposa                          |  |
| 41. Soporte de la mesa de la sierra               |  |
| 42. Conjunto de guías de la cuchilla              |  |
| 43. Perno de ajuste                               |  |
| 44. Para reducir la tensión                       |  |
| 45. Para aumentar la tensión                      |  |
| 46. Perilla de bloqueo                            |  |
| 47. Ranura del indicador de inglete               |  |
| 48. Tornillos con cabeza de estrella              |  |
| 49. Rueda superior                                |  |
| 50. Guías inferiores de la cuchilla               |  |
| 51. Rueda inferior                                |  |
| 52. Desbloquear                                   |  |





## Español (Traducción de las instrucciones originales)

La seguridad, el rendimiento y la fiabilidad han sido las máximas prioridades a la hora de diseñar esta sierra de cinta.

### USO PREVISTO

La sierra de cinta se ha diseñado para el corte en línea recta, el corte de contornos y el corte circular de madera y productos fabricados con madera.

El producto debe ser utilizado por usuarios adultos que hayan leído el manual de instrucciones y que comprendan los riesgos y peligros asociados al uso de este producto.

La sierra debe utilizarse en entornos secos, con un buen grado de iluminación y una ventilación adecuada.

El producto está diseñado para uso doméstico y solo debe utilizarse tal como se describe anteriormente y no para otros fines.

### ALERTA DE SEGURIDAD GENERAL

#### ADVERTENCIA

Cuando use herramientas eléctricas, siempre deben seguirse las precauciones básicas de seguridad para reducir el riesgo de incendio, descarga eléctrica y lesiones personales. Lea todas las instrucciones antes de utilizar el producto y guarde estas instrucciones.

- **Mantenga el área de trabajo limpia.** Las áreas y los bancos de trabajo desordenados propician los daños corporales.
- **Tenga en cuenta el entorno del área de trabajo.** No exponga las herramientas a la lluvia. No utilice herramientas en lugares húmedos o mojados. Mantenga limpia el área de trabajo. No utilice las herramientas en presencia de líquidos o gases inflamables.
- **Protección contra descargas eléctricas.** Evite el contacto corporal con superficies conectadas a tierra (por ejemplo, tuberías, radiadores, estufas y refrigeradores).
- **Mantenga a otras personas alejadas.** No deje que otras personas, especialmente niños, participen en el trabajo, toquen la herramienta o el alargador, y manténgalos alejados del área de trabajo.
- **Guarde las herramientas inactivas.** Cuando no esté en uso, la herramienta debe guardarse en un lugar seco, bajo llave, fuera del alcance de los niños.
- **No fuerce la herramienta.** Realizará un trabajo mejor y más seguro a la velocidad para la que ha sido diseñada.
- **Utilice la herramienta adecuada.** No utilice

herramientas pequeñas para realizar el trabajo de una grande. No utilice las herramientas para otros fines distintos de los previstos, por ejemplo, no utilice sierras circulares para cortar ramas o troncos de árboles.

- **Vístase adecuadamente.** No utilice ropa holgada o joyas, ya que pueden quedar atrapados en las piezas móviles. Para trabajos exteriores se recomienda calzado antideslizante. Use cobertura de protección para el cabello para amarrar el cabello largo.
- **Utilice un equipo de protección.** Utilice gafas de seguridad. Utilice una mascarilla para la cara o contra el polvo en caso de que el trabajo origine polvo.
- **Conecte el equipo aspirador de polvo.** Si existe una herramienta para la conexión de accesorios de recogida y extracción de polvo, asegúrese de que está conectada y que se utilizan adecuadamente.
- **Utilice correctamente el cable.** Nunca tire del cable para desenchufarlo. Mantenga el cable lejos de fuentes de calor, aceite y bordes afilados.
- **Fije la pieza de trabajo.** Si es posible, utilice abrazaderas o un torno de banco para sujetar el trabajo. Es más seguro que utilizar la mano.
- **No realice sobreesfuerzos.** Mantenga un equilibrio adecuado en todo momento.
- **Utilice las herramientas con cuidado.** Mantenga las herramientas de corte afiladas y limpias para que realicen un trabajo mejor y más seguro. Siga las instrucciones de lubricación y cambio de accesorios. Inspeccione periódicamente los cables y si están dañados llévelos a un centro de servicio autorizado. Revise las prolongaciones periódicamente y sustitúyalas si están dañadas. Mantenga las asas secas, limpias y libres de aceite y grasa.
- **Desconecte las herramientas.** Desenchufe las herramientas cuando no se encuentren en uso, antes de realizar cualquier reparación y cuando cambie accesorios como hojas, puntas y cuchillas.
- **Retire las llaves de ajuste.** Compruebe siempre que las llaves de ajuste no se encuentran en la herramienta antes de encenderla.
- **Evite el arranque accidental de la herramienta.** Asegúrese de que el interruptor se encuentra en la posición "off" cuando enchufe la herramienta.
- **Utilice alargadores para exterior.** Cuando utilice una herramienta al aire libre, utilice únicamente cables de extensión que estén destinados para uso en exteriores y que así lo indiquen.
- **Manténgase alerta.** Tenga cuidado con lo que hace, utilice el sentido común y no utilice la herramienta cuando esté cansado.
- **Compruebe que no haya piezas dañadas.** Antes de seguir utilizando la herramienta, esta deberá ser





## Español (Traducción de las instrucciones originales)

minuciosamente comprobada para determinar si va a funcionar adecuadamente y realizar su función prevista. Compruebe la alineación y el acoplamiento de las piezas móviles, la rotura de piezas, el montaje y cualquier otro problema que pueda afectar a su funcionamiento. Una protección u otra parte que esté dañada debería ser debidamente reparada o sustituida en el centro de servicio autorizado a menos que se indique lo contrario en este manual de instrucciones. Los enchufes defectuosos deben ser sustituidos por un centro de reparación autorizado. No utilice la herramienta si el interruptor no enciende ni apaga.

- **Advertencia.** El uso de cualquier accesorio o complemento no recomendado en este manual de instrucciones puede suponer un riesgo de lesión personal.
- **La herramienta deberá ser reparada por personal cualificado.** Esta herramienta eléctrica cumple con las normas de seguridad correspondientes. Las reparaciones sólo deberán ser realizadas por personal cualificado y utilizando recambios originales, en caso contrario podría producirse un grave peligro para el usuario.

### ADVERTENCIAS DE SEGURIDAD DE LA SIERRA DE CINTA

- **Fije correctamente o una con pernos la sierra a un banco de trabajo o soporte con patas aproximadamente a la altura de la cadera.**
- **Nunca utilice el producto sobre el suelo.**
- **Evite posturas incómodas y posiciones de las manos donde un deslizamiento repentino podría hacer que su mano toque la cuchilla.** Asegúrese siempre de que tiene buen equilibrio.
- **Deje que el motor alcance su velocidad máxima antes de iniciar un corte para evitar un atasco o parada.**
- **No utilice la herramienta si no funciona el interruptor de encendido y apagado.** Los enchufes defectuosos deben ser sustituidos por un centro de reparación autorizado.
- **Piezas de repuesto.** Todas las reparaciones, tanto eléctricas como mecánicas, deben ser realizadas por un técnico de servicio cualificado en un centro de servicio autorizado.
- **Utilice solo piezas de recambio idénticas cuando esté realizando labores de mantenimiento de la máquina.** El uso de otras piezas puede ocasionar riesgos o daños en el producto.
- **Mantenga las manos fuera de la zona de corte.** No sujete piezas de trabajo tan pequeñas que obliguen a sus dedos a pasar a por debajo de la protección

de la cuchilla. No ponga, en ningún caso, las manos o los dedos debajo del trabajo o en la trayectoria de corte de la hoja.

- **Nunca corte más de una pieza al mismo tiempo ni apile más de una pieza de trabajo sobre la mesa la sierra al mismo tiempo.**
- **No suministre el material demasiado rápido.** No fuerce la pieza de trabajo contra la cuchilla.
- **Utilice únicamente hojas adecuadas.** Utilice una cuchilla del tamaño y tipo adecuados para el material y el tipo de corte. Los dientes de la cuchilla deben mirar hacia abajo, hacia la mesa.
- **Sujete siempre las piezas de trabajo de gran tamaño mientras realiza el corte para minimizar el riesgo de que la cuchilla "muerda" el material y de posibles retrocesos.** La sierra puede deslizarse o desplazarse durante el corte de tableros grandes o pesados.
- **No retire las piezas atascadas o cortadas hasta que la cuchilla se haya detenido.**
- **No utilice sierras de cinta dañadas o deformadas.**
- **Sustituya la pieza de refuerzo de mesa desgastada.**
- **Conecte la sierra al colector de polvo cuando esté serrando madera.**
- **No utilice el producto cuando la protección de la sierra de cinta esté abierta.**
- **Seleccione la sierra de cinta y la velocidad en función del material que pretenda cortar.**
- **No limpie la sierra de cinta mientras esté en movimiento.**
- **Utilice guantes cuando manipule la sierra de cinta y materiales ásperos.**
- **Utilice una varilla de empuje cuando realice cortes rectos en piezas de trabajo pequeñas utilizando el tope.**
- **Transporte el producto con la protección de la cuchilla totalmente bajada y cerrada en la mesa.**
- **Coloque el tope en el lado inferior de la mesa cuando realice cortes en bisel con la mesa inclinada.**
- **Utilice un dispositivo de sujeción adecuado cuando corte maderas circulares o con una forma irregular para evitar que la pieza de trabajo se gire.**
- **No utilice protecciones para la manipulación o transporte del producto.**
- **Ajuste la protección ajustable lo más cerca posible de la pieza de trabajo.**
- **Nunca toque la superficie u otras partes móviles durante el uso de la herramienta.**
- **Antes de modificar la configuración y de retirar las cubiertas, protecciones o cuchillas, desconecte la**





## Español (Traducción de las instrucciones originales)

sierra de la fuente de alimentación.

- **Siempre mantenga firme la pieza de trabajo contra la mesa.**
- **Para evitar un contacto accidental con la cuchilla, minimizar las roturas de las cuchillas y conseguir el máximo soporte para la cuchilla.** Ajuste el conjunto de la guía de la cuchilla para que solo tenga que recorrer la distancia de corte de la pieza de trabajo.
- **Mantenga las hojas limpias y afiladas, y con un conjunto suficiente.** Las hojas afiladas evitan que se atasque y rebote.
- **Apague siempre la sierra antes de desconectarla para evitar un arranque accidental al volver a conectarla al suministro eléctrico.**
- **Asegúrese de que el área de trabajo tiene una iluminación suficiente para ver la pieza de trabajo y que ninguna obstrucción interfiere con el funcionamiento seguro de la herramienta antes de realizar cualquier trabajo.**
- **Las guías de las cuchillas vienen preajustadas de fábrica.** Estos ajustes se pueden utilizar para algunas aplicaciones. Recomendamos que compruebe y modifique los ajustes de las guías de la cuchilla antes de utilizar la sierra por primera vez. Consulte los procedimientos de "Ajuste de los cojinetes de empuje y del soporte de las guías de la cuchilla" explicados en el apartado AJUSTES de este manual del usuario.
- **No utilice la herramienta para cortar metal.**
- **Esta herramienta debería tener las siguientes marcas:**
  - Utilice gafas de seguridad
  - Mantenga las manos alejadas de la hoja.
  - No retire las piezas atascadas o cortadas hasta que la cuchilla se haya detenido.
  - Asegúrese de que la cuchilla se instala con los dientes mirando hacia abajo.
  - Mantenga un ajuste adecuado de la tensión de la cuchilla, las guías de la cuchilla y los cojinetes de empuje.
  - Ajuste la guía superior de forma que solo tenga que recorrer la distancia de corte de la pieza de trabajo.
  - Sujete con fuerza la pieza de trabajo contra la mesa durante el corte.
- **Si el cable de alimentación está dañado, debería ser reemplazado únicamente por el fabricante o por un centro de servicio autorizado para evitar riesgos.**
- **Guarde estas instrucciones.** Consúltelas con frecuencia y utilícelas para instruir a otros usuarios. Si presta esta herramienta, facilite también estas instrucciones.

### ELÉCTRICA

#### PROLONGACIONES

Utilice sólo cables de extensión compuestos de 3 cables que tengan conexiones a tierras de 3 puntas y tomas de 3 polos que acepten la conexión con el producto. Cuando utilice la herramienta de pintura a una distancia considerable de la fuente de alimentación, utilice un cable de extensión suficientemente resistente para que transporte la corriente que utilizará el producto. Un cable de extensión inferior provocará una caída de tensión del cable, resultando en una pérdida de potencia y haciendo que el motor se sobrecaliente.

Antes de utilizar un cable alargador, compruebe si presenta cables sueltos o expuestos, o si el aislamiento está cortado o desgastado.

#### **⚠ ADVERTENCIA**

Mantenga el cable de extensión fuera del área de trabajo. Sitúe el cable de manera de modo que no pueda enredarse en la madera, herramientas, u otros obstáculos mientras esté trabajando con una herramienta eléctrica. De lo contrario puede ocasionar daños personales graves.

#### **⚠ ADVERTENCIA**

Revise los cordones de extensión antes de cada uso. Si está dañado, reemplazar inmediatamente. No utilice nunca la herramienta con un cable dañado ya que tocar el área dañada podría causar una descarga eléctrica con resultado de lesiones graves.

#### CONEXIÓN ELÉCTRICA

Este producto funciona con un motor eléctrico de precisión. Esta herramienta debe conectarse a una fuente de alimentación de 220~240V, de CA solamente (corriente normal del hogar), 50 Hz. No utilice este producto con corriente continua (CC). Una caída sustancial del voltaje causará una pérdida de potencia y el motor se sobrecalentará. Si el producto no funciona al enchufarlo a una toma de corriente, vuelva a comprobar el suministro de corriente.

#### VELOCIDAD Y CABLEADO

La velocidad sin carga de este producto es de aproximadamente 11 m/s. Esta velocidad no es constante y disminuye durante una carga o con menor tensión. En cuanto al voltaje, el cableado dentro del taller es tan importante como la potencia nominal del motor. Una línea de alimentación destinada sólo para luces no puede soportar un motor de una herramienta eléctrica. Un cable con un calibre suficiente para una distancia corta será muy







## Español (Traducción de las instrucciones originales)

débil para una mayor distancia. Una línea de alimentación que puede soportar una herramienta eléctrica puede no ser suficiente para alimentar dos o tres herramientas.

### INSTRUCCIONES DE CONEXIÓN A TIERRA

Este producto debe estar conectado a tierra. En caso de un mal funcionamiento o avería, la toma de tierra ofrece menos resistencia a la corriente eléctrica para reducir el riesgo de descarga eléctrica. Este producto está equipado con un cable eléctrico que tiene un conductor de tierra y un enchufe de tierra. El enchufe debe estar conectado a la toma correspondiente que está instalada adecuadamente y que se una toma de tierra según todos los códigos y ordenanzas locales.

No modifi que el enchufe proporcionado. Si no encaja en la toma, haga que un electricista cualifi cado instale un enchufe adecuado. Repare o sustituya inmediatamente un cable dañado o gastado.

### RIESGOS RESIDUALES

Incluso cuando se utiliza el producto según las instrucciones, sigue siendo imposible eliminar por completo ciertos factores de riesgo residuales. Pueden surgir los siguientes riesgos durante el uso y el operador debe prestar especial atención para evitar lo siguiente:

- Rebote de las piezas de trabajo y partes de las piezas de trabajo debido a un ajuste o una manipulación incorrectos.
- Daños al sistema respiratorio.  
**NOTA:** Use mascarillas protectoras con filtros adecuados para los materiales con los que va a trabajar. Asegure una ventilación adecuada del lugar de trabajo. No comer, beber o fumar en el área de trabajo.
- Daños auditivos si no se utiliza una protección auditiva eficaz.

### CONOZCA EL PRODUCTO

Ver figura 1.

El uso seguro de este producto requiere una comprensión de la información sobre el producto y de este manual de funcionamiento, así como un conocimiento del trabajo que va a realizar. Antes de utilizar la lijadora, familiarícese con todas sus funciones y características relativas a la seguridad.

### PERILLA DE AJUSTE DEL ÁNGULO

Inclina la mesa de la sierra para el corte en bisel.

### PROTECCIÓN DE LA CUCHILLA

Protege al usuario de entrar en contacto con la cuchilla.

### PERILLA DE AJUSTE DE LAS GUÍAS DE LA CUCHILLA

Utilice la perilla de ajuste de las guías de la cuchilla para ajustar el conjunto de las guías de la cuchilla hacia arriba o hacia abajo, y para evitar que la cuchilla se retuerza o se rompa. Bloquee siempre el conjunto de las guías de la cuchilla en su posición antes de poner en marcha la sierra de cinta.

### GUÍAS DE LA CUCHILLA

Las guías de la parte superior e inferior de la cuchilla ayudan a evitar que la cuchilla se gire durante el funcionamiento de la sierra.

### BOCA DE SALIDA DE POLVO

Una boca de salida de polvo de 53 mm (2-1/8") permite realizar cortes sin que se genere polvo. Acople una bolsa de polvo (no incluida) o un aspirador de taller a la boca de salida de polvo.

### TORNILLO DE BLOQUEO DE LA CUBIERTA

Permite que la cubierta delantera se pueda abrir para realizar ajustes.

### INDICADOR DE INGLETE

Este indicador permite alinear la madera para un corte transversal. Este indicador de sencilla lectura muestra el ángulo exacto para un corte en inglete a 15°, 30°, 45° y 60°.

### PALANCA DE TENSIÓN DE LA CUCHILLA RAPID-SET™

Controla la tensión de la cuchilla al cambiar las cuchillas y al realizar ajustes para las diferentes aplicaciones de corte.

### CUCHILLA DE LA SIERRA

La sierra incluye una cuchilla estándar de 6,35 mm (1/4").

### MESA DE SIERRA CON PLACA DE ENTRADA

La sierra de cinta cuenta con una mesa de sierra con control de inclinación. La placa de entrada, instalada en la mesa de la sierra en la fábrica, permite mantener un espacio de separación con la cuchilla.

### ESCALA E INDICADOR DE ESCALA

La escala y el indicador de escala muestran el ángulo de la mesa de la sierra para el corte en bisel.

### PALANCA DE BLOQUEO DE LA MESA

Al aflojar la palanca de bloqueo de la mesa, la mesa de la sierra se puede inclinar con diferentes ángulos. Al apretar la palanca de bloqueo de la mesa se bloquea la mesa de la sierra en su posición.



## Español (Traducción de las instrucciones originales)

### POMO DE ALINEACIÓN

Ajusta la alineación para mantener la cuchilla centrada sobre las ruedas.

### VENTANA DE VISTA DE ALINEACIÓN

La ventana de visualización de alineación facilita la visualización de los ajustes de alineación.

### VARILLA DE EMPUJE

Utilice siempre una varilla de empuje para el suministro de la pieza de trabajo hasta que haya salido de la mesa.

### LISTA DE PIEZAS SUELTAS

Descripción	Cant.
Arandelas	7
Palanca de bloqueo de la mesa	1
Llave hexagonal , 3 mm	1
Llave hexagonal , 4 mm	1
Llave hexagonal , 5 mm	1
Indicador de inglete	1
Tuercas ciegas	4
Pies	4
Mesa de la sierra	1
Pernos de bloqueo	2
Tuercas hexagonales	2
Soporte de extensión	1
Tope de guía de corte	1
Varilla de empuje	1
Manual del usuario	1

### MONTAJE

#### DESEMBALAJE

Este producto requiere montaje.

- Eleve con cuidado el producto para sacarlo de la caja de cartón y colóquelo sobre una superficie de trabajo nivelada.

### ⚠ ADVERTENCIA

No utilice este producto si algún producto de la lista de piezas sueltas ya está montado en el producto al desmontarlo. Las piezas de esta lista no están montadas en el producto por el fabricante y deben ser instaladas por el cliente. El uso de un producto que se haya podido montar de forma inadecuada puede provocar un accidente personal grave.

- Compruebe la herramienta cuidadosamente para asegurarse de que no se ha producido ninguna rotura o daño durante el transporte. **NOTA:** Esta sierra se ha enviado sin tensión en la cuchilla. No ponga en marcha la sierra hasta haber ajustado correctamente la tensión de la cuchilla.
- No deseche el material de embalaje hasta que haya comprobado y utilizado satisfactoriamente la herramienta.
- Si falta alguna pieza o se observa algún daño en algún componente, llame a su centro de servicio para obtener asistencia.

### ⚠ ADVERTENCIA

Si falta alguna pieza o se observa algún daño en algún componente, o utilice este producto hasta que se hayan sustituido dichas piezas. El uso de este producto con piezas dañadas o ausentes puede provocar un accidente personal grave.

### ⚠ ADVERTENCIA

No intente modificar esta herramienta o crear accesorios no recomendados para utilizar con esta herramienta. Cualquier alteración o modificación supone un uso indebido y podría provocar condiciones peligrosas que conduzcan a posibles lesiones personales graves.

### ⚠ ADVERTENCIA

No conecte el producto a la alimentación eléctrica hasta completar su montaje. De lo contrario, se podría producir una puesta en marcha accidental y un posible accidente personal grave.

### MONTAJE DEL PRODUCTO EN UN BANCO DE TRABAJO

Si el producto se va a utilizar en una ubicación permanente, se debe colocar sobre una superficie de apoyo firme, como un banco de trabajo. La base de la sierra cuenta con cuatro orificios para pernos para dicha fijación. Los pernos (no incluidos) deben tener la longitud suficiente para abarcar la base de la sierra, las arandelas



## Español (Traducción de las instrucciones originales)

de bloqueo (no incluidas, las tuercas hexagonales (no incluidas) y el grosor del banco de trabajo. Apriete bien los cuatro pernos.

Compruebe cuidadosamente el banco de trabajo después del montaje para asegurarse de que no se pueda producir ningún movimiento durante el uso del producto. Si se detecta cualquier inclinación, deslizamiento o desplazamiento, fije el banco de trabajo al suelo antes de iniciar el funcionamiento del producto.

- Coloque el producto sobre el banco de trabajo. Utilizando la base de la sierra como plantilla, localice y marque los orificios en los que se montará el producto.
- Perfore los orificios en el banco de trabajo.
- Coloque la sierra de cinta sobre el banco de trabajo alineando los orificios de la base de la sierra con los orificios perforados en el banco de trabajo.
- Inserte los pernos (no incluidos) apriételos bien con las arandelas de bloqueo y las tuercas hexagonales (no incluidas).  
**NOTA:** Todos los pernos se deben introducir desde arriba. Coloque las arandelas de bloqueo y las tuercas hexagonales en la parte inferior del banco.

### FIJACIÓN DEL PRODUCTO AL BANCO DE TRABAJO

Ver figura 4.

Si el producto se va a utilizar como una herramienta portátil, se recomienda que lo fije de forma permanente a una placa de montaje que se pueda fijar fácilmente a un banco de trabajo o a otra superficie de apoyo. La placa de montaje debe tener un tamaño que permita evitar la basculación de la sierra durante su uso. Se recomienda el uso de cualquier madera contrachapada o tablero de conglomerado de buena calidad con un grosor de 19 mm (3/4").

Si se utilizan tirafondos, asegúrese de que tengan la longitud suficiente para cubrir los orificios de la base de la sierra y del material sobre el que se monta. Si se utilizan pernos mecanizados, asegúrese de que tengan la longitud suficiente para cubrir los orificios de la base de la sierra, del material sobre el que se monta y de las arandelas de bloqueo y las tuercas hexagonales.

### NOTA: PUEDE QUE SEA NECESARIO AVELLANAR LAS TUERCAS HEXAGONALES Y LAS ARANDELAS EN EL LADO INFERIOR DE LA PLACA DE MONTAJE.

- Monte la sierra en la placa utilizando los orificios de la base de la sierra como plantilla para realizar los orificios. Localice y marque los orificios donde se vaya a montar la sierra de cinta.
- Siga los últimos tres pasos del apartado anterior Montaje del producto en un banco de trabajo.

### MONTAJE DE LA MESA DE LA SIERRA

Ver figuras 5, 7.

- Retire la tuerca en forma de D, las arandelas y el tornillo de mariposa de la mesa de la sierra.
- Colocado delante de la sierra de cinta, deslice la mesa de la sierra más allá de la cuchilla y a través de la ranura, desde el lado derecho de la mesa de la sierra hacia el lado derecho.
- Sujetando la mesa de la sierra con la mano derecha mientras tira de la perilla de ajuste del ángulo del bastidor de la sierra, alinee el soporte de la mesa de la sierra en los dientes de la perilla de ajuste del ángulo. Suelte la perilla.
- Coloque los pasadores del bastidor en las ranuras del soporte de la mesa de la sierra.
- Introduzca la arandela en el extremo roscado de la palanca de bloqueo de la mesa. Fije la mesa de la sierra al bastidor de la sierra girando la palanca de bloqueo de la mesa en el sentido contrario al de las agujas del reloj.
- Coloque la tuerca en forma de D, las arandelas y el tornillo de mariposa en la mesa de la sierra.

**NOTA:** El tornillo de mariposa se coloca debajo de la mesa de la sierra.

### INSTALACIÓN DEL SOPORTE DE PROLONGACIÓN

Ver figura 6.

- Inserte los tubos del soporte de prolongación en los orificios de la base de la sierra desde la parte posterior.
- Alinee los orificios de los tubos con los orificios de la base de la sierra.
- Inserte los pernos de bloqueo y apriételos con arandelas y tuercas hexagonales.

### AJUSTE DEL ÁNGULO RECTO DE LA MESA DE LA SIERRA RESPECTO A LA CUCHILLA

Ver figuras 8 - 9.

- Gire la perilla de bloqueo en el sentido contrario al de las agujas del reloj para desbloquear el conjunto de la guía de la cuchilla. Al girar la perilla de ajuste de la guía de la cuchilla en el sentido de las agujas del reloj, eleve tanto como sea posible el conjunto de la guía de la cuchilla. Gire la perilla de bloqueo en el sentido de las agujas del reloj para volver a apretarla.
- Coloque una escuadra combinada pequeña en la mesa de la sierra junto a la cuchilla.
- Afloje la palanca de bloqueo de la mesa y gire la perilla de ajuste del ángulo para inclinar la mesa de la sierra hacia arriba o hacia abajo para alinear la mesa a 90° respecto a la cuchilla (posición 0°). Vuelva a apretar la palanca de bloqueo de la mesa.





## Español (Traducción de las instrucciones originales)

- Gire el perno de ajuste hasta que el perno toque el alojamiento de la sierra.
- Compruebe el ajuste en ángulo recto de la mesa de la sierra respecto a la cuchilla. Realice los ajustes que sean necesarios.
- Ajuste el indicador de escala a cero y apriete el tornillo con un destornillador de estrella.

**NOTA: Realice siempre un corte de prueba para asegurarse del ajuste en ángulo recto de la cuchilla antes de iniciar cualquier nuevo proyecto.** Si el ajuste en ángulo recto no es el correcto, puede que sea necesario aflojar los tornillos situados debajo de la mesa de la sierra para realizar el ajuste (la ranura para ingletes debe estar situada en paralelo respecto a la cuchilla de la sierra). Tras el ajuste en ángulo recto, vuelva a apretar los tornillos.

### AJUSTE DE LA TENSIÓN DE LA CUCHILLA

Ver figuras 10, -11.

- Apague el producto.
- Antes de utilizar la sierra de cinta, gire la perilla de tensión de la cuchilla situada encima de la sierra en el sentido de las agujas del reloj para aplicar tensión.
- **NOTA:** Los ajustes de la tensión de la cuchilla se pueden realizar en cualquier momento.
- Puntee el borde recto posterior de la cuchilla de la sierra como la cuerda de una guitarra mientras gira la perilla de tensión.

El sonido se irá haciendo más agudo a medida que aumente la tensión. No aumente nunca la tensión de la cuchilla hasta un nivel que comprima totalmente el muelle. Si se comprime totalmente, el muelle ya no podrá actuar como amortiguador.

Una tensión excesiva puede provocar la rotura de la cuchilla. Las piezas de trabajo más gruesas requieren una mayor tensión; no es necesario alcanzar la tensión máxima para todos los cortes. Una tensión insuficiente puede hacer que la cuchilla patine en las ruedas.

### ALINEACIÓN DE LA CUCHILLA

Ver figura 11.

Ajuste correctamente la tensión de la cuchilla antes de realizar ajustes de alineación. Compruebe que las guías de la cuchilla no interfieren con la cuchilla. El hueco de la cuchilla (la parte más profunda del diente de la cuchilla) debe situarse en el centro de la goma de la rueda.

#### Para su ajuste:

Desconecte el producto de la alimentación eléctrica. Abra las cubiertas delanteras desenroscando el tornillo de bloqueo de la cubierta. Observe la posición de la cuchilla en la goma superior de la rueda mientras gira lentamente con la mano la rueda superior en el sentido de las agujas

del reloj. Si la cuchilla se aleja del centro de la goma de la rueda, será necesario ajustar la alineación.

#### Si la cuchilla se ha desplazado hacia la izquierda o la derecha del centro:

- Gire la perilla de alineación de la cuchilla (en el sentido de las agujas del reloj si la cuchilla se ha desplazado hacia la izquierda, en el sentido contrario si la cuchilla se ha desplazado hacia la derecha) mientras gira la rueda con la mano hasta que la cuchilla regrese a su posición y quede alineada con el centro de la goma de la rueda.
- Compruebe la posición de la cuchilla en la goma inferior de la rueda. La cuchilla debe estar situado exactamente sobre la goma de la rueda (el hueco de los dientes de la cuchilla en el centro). De lo contrario, ajuste la alineación hasta que la cuchilla quede situada sobre las dos gomas.
- Gire la rueda superior con la mano en el sentido de las agujas del reloj unas cuantas vueltas más. Asegúrese de que la cuchilla permanece en la misma posición que las gomas. Reajuste, si fuera necesario, hasta que la cuchilla esté correctamente alineada.
- Cierre las cubiertas delanteras y apriete el tornillo de bloqueo de la cubierta.
- Encendido del producto
- Asegúrese de que la cuchilla de la sierra está centrada en la goma de la rueda (a través de la ventana de la vista de alineación). Si no está centrada, repita los pasos anteriores.

### **A** ADVERTENCIA

Las guías de las cuchillas vienen preajustadas de fábrica. Estos ajustes se pueden utilizar para algunas aplicaciones. Recomendamos que compruebe y modifique los ajustes de las guías de la cuchilla antes de utilizar la sierra por primera vez. Consulte los procedimientos de "Ajuste del soporte de la guía de la cuchilla y de los cojinetes de empuje" explicados en el apartado "Ajuste" de este manual del usuario.

### INSTALACIÓN DEL TOPE DE GUÍA DE CORTE

- Coloque el tope de guía de corte en el lado izquierdo de la mesa de la sierra, con la manilla de bloqueo en la parte delantera.
- Presione hacia abajo la manilla de bloqueo para bloquear la posición del tope de guía de corte.
- Gire la manilla de bloqueo para ajustar el apriete de las fijaciones.





## Español (Traducción de las instrucciones originales)

### FUNCIONAMIENTO

#### **⚠ ADVERTENCIA**

Aun cuando esté familiarizado con la herramienta, no deje de estar atento. Recuerde que un descuido de una fracción de segundo es suficiente para provocar daños graves.

#### **⚠ ADVERTENCIA**

Utilice siempre gafas de protección. Si incumple esta instrucción, pueden proyectarse cuerpos extraños a sus ojos y provocarle graves lesiones oculares.

#### **⚠ ADVERTENCIA**

No utilice conexiones ni accesorios que no estén recomendados por el fabricante de este producto. El uso de cualquier pieza o accesorio no recomendado puede ocasionar lesiones personales graves.

#### **⚠ ADVERTENCIA**

Para evitar el contacto con la cuchilla, ajuste el conjunto de la guía de la cuchilla para que solo tenga que recorrer la distancia de corte de la pieza de trabajo. De lo contrario puede ocasionar daños personales graves.

#### **⚠ ADVERTENCIA**

No utilice nunca el producto sin la protección de la cuchilla fijada y las cubiertas delanteras bloqueadas. De lo contrario, podría sufrir un accidente personal grave.

### FUNCIONAMIENTO BÁSICO DE LA SIERRA DE CINTA

Una sierra de cinta es, básicamente, una máquina de "corte en curva" que también se puede utilizar para operaciones de corte recto, como corte transversal, en inglete, bisel, corte compuesto y reaserrado. Cuando se utilice la sierra de cinta para cortes en línea recta, el usuario puede instalar un tope utilizando una pieza de madera de un tamaño adecuado fijado a la mesa con las fijaciones en "C". No permite realizar cortes internos ni rebajados.

Antes de iniciar un corte, observe el funcionamiento del producto. Si experimenta un nivel de vibración excesivo o un ruido inusual, detenga su funcionamiento inmediatamente. Apague el producto y desenchúfelo. No reinicie su funcionamiento hasta que haya localizado y corregido el problema.

### PROCEDIMIENTOS DE CORTE

- Siempre mantenga firme la pieza de trabajo contra la mesa.
  - Aplique una presión adecuada con las dos manos al pasar la pieza de trabajo por la cuchilla. No fuerce la pieza de trabajo; deje que la cuchilla realice el corte.
  - El círculo con el diámetro más pequeño que se puede cortar viene determinado por la anchura de la cuchilla. Una cuchilla de 6,35 mm (1/4") de anchura permitirá cortar un diámetro mínimo de 38 mm (1-1/2").
  - Mantenga las manos alejadas de la hoja. No sujete piezas de trabajo tan pequeñas que obliguen a sus dedos a pasar a por debajo de la protección de la cuchilla.
  - Evite operaciones y posiciones de las manos extrañas en las que un deslizamiento repentino podría provocar un accidente grave por contacto con la cuchilla. No coloque nunca las manos en la trayectoria de la cuchilla.
  - Utilice soportes adicionales (mesas, caballetes, bloques, etc.) cuando corte piezas de trabajo grandes, pequeñas o con formas poco habituales.
  - No utilice nunca a una persona para sustituir una prolongación de la mesa o como soporte adicional para una pieza de trabajo que sea más larga o más ancha que la mesa de la sierra básica.
  - Cuando corte piezas de trabajo con formas irregulares, planifique su trabajo para no pellicque la cuchilla. Por ejemplo, una pieza de moldura debe estar totalmente plana sobre la mesa de la sierra. Las piezas de trabajo no se deben retorcer, sacudir o deslizar mientras se realiza el corte.
- Al retirar la pieza de trabajo, la cuchilla puede quedar atascada en el corte. Esto suele estar provocado por las virutas que obstruyen el corte o cuando la cuchilla se sale de las guías. Si sucede esto:
- Apague el producto. Espere hasta que la sierra se haya detenido por completo. Desenchufe el producto de la toma de alimentación.
  - Abra el corte con un destornillador de punta plana o con una cuña de madera.
  - Abra la cubierta delantera y gire la rueda superior con la mano mientras retira la pieza de trabajo.

### CORTES DE DESCARGA

Los cortes de descarga se realizan cuando se debe realizar el corte de una curva complicada (con un radio demasiado pequeño para la cuchilla). Corte una sección para desechar de la pieza de trabajo para establecer una curva a modo de patrón y, a continuación, extraiga con cuidado la cuchilla. Se deben realizar varios cortes de descarga para curvas complicadas antes de seguir la línea de patrón a medida que se van cortando las





## Español (Traducción de las instrucciones originales)

secciones de la curva, "reduciendo" la presión sobre la cuchilla.

### CORTE DE CONTORNEO

Para cortes con un desplazamiento normal, siga las líneas del patrón empujando y girando la pieza de trabajo al mismo tiempo. No intente girar la pieza de trabajo mientras está en contacto con la cuchilla sin empujarla, ya que la pieza de trabajo podría trabar o retorcer la cuchilla.

### RETIRADA DE MATERIAL ATASCADO

No retire nunca las piezas de corte atascadas hasta que la cuchilla se haya detenido por completo.

- Apague el producto. Espere hasta que la sierra se haya detenido por completo.
- Desconecte el producto de la fuente de alimentación antes de retirar el material atascado.

### PREVENCIÓN DE ACCIDENTES

- Asegúrese de que la sierra está nivelada y que no se mueve de forma brusca. La sierra siempre debe estar sobre una superficie firme, nivelada, con espacio suficiente para manejar y apoyar convenientemente la pieza de trabajo.
- Fije la sierra con pernos a la superficie de soporte para evitar su deslizamiento o desplazamiento durante operaciones como el corte de tableros largos y pesados.
- Apague la sierra y desenchufe el cable de la fuente de alimentación antes de mover la sierra.
- No retire las piezas de corte atascadas hasta que la cuchilla se haya detenido por completo.
- Seleccione el tamaño y el tipo de cuchilla adecuados para el material y el tipo de corte que pretenda realizar.
- Asegúrese de que los dientes de la cuchilla apuntan hacia abajo, hacia la mesa de la sierra, que las guías de la cuchilla, los cojinetes de empuje y la tensión de la cuchilla se han ajustado de forma adecuada, que la perilla de las guías de la cuchilla está apretada y que no hay un juego excesivo entre los componentes.
- Para evitar un contacto accidental con la cuchilla, minimizar las roturas de las cuchillas y conseguir el máximo soporte para la cuchilla, ajuste siempre el conjunto de las guías de la cuchilla para que únicamente tenga que recorrer la distancia de corte de la pieza de trabajo.
- Utilice sólo los accesorios recomendados.
- A excepción de la pieza de trabajo y de los dispositivos de soporte asociados, retire cualquier otro elemento de la mesa de la sierra antes de encenderla.
- Sujete adecuadamente los materiales redondos, como varillas o tubos, ya que tienden a rodar durante el corte debido a la "mordida" de la cuchilla. Para

evitar esto, utilice siempre un bloque en "V" o fije la pieza de trabajo a un indicador de inglete.

- Antes de retirar las piezas sueltas de la mesa de la sierra, apague la sierra y espere a que todos los componentes móviles se hayan detenido.

### ENCENDIDO/APAGADO DEL PRODUCTO

Ver figura 12.

- Pulse "I" para encender el producto.
- Pulse "O" para apagar el producto.

### ANTES DE DEJAR EL PRODUCTO

Ver figura 12.

- Apague el producto. Espere hasta que la sierra se haya detenido por completo.
- Desenchufe el producto de la toma de alimentación.
- Adecue el taller a prueba de niños.
- Libere la tensión de la cuchilla de la sierra utilizando la palanca de tensión de la cuchilla Rapidset™ para prolongar la vida útil de la cuchilla.
- Cierre el taller.

### ENCENDIDO/APAGADO DE LA LUZ DE TRABAJO

Ver figura 13.

- Pulse "L" para encender la luz de trabajo.
- Pulse "O" para apagar la luz de trabajo.

### INCLINACIÓN DE LA MESA

Ver figura 14.

- Afloje ligeramente la perilla de bloqueo de la mesa.
- Gire la perilla de ajuste del ángulo, inclinando la mesa de la sierra hasta alcanzar el ángulo deseado.
- Utilizando el indicador de escala, compruebe las marcas de ángulo.
- Vuelva a apretar la perilla de bloqueo de la mesa para fijar en su posición la mesa de la sierra.

### USO DEL INDICADOR DE INGLETE

Ver figuras 15 - 16.

El indicador de inglete se puede ajustar a un máximo de 60° a la derecha o a la izquierda.

- Afloje la perilla de bloqueo del indicador de inglete.
- Con el indicador de inglete en su ranura, gire el indicador hasta alcanzar el ángulo deseado en la escala del índice.
- Vuelva a apretar la perilla de bloqueo.

### USO DEL TOPE DE GUÍA DE CORTE

El tope de guía de corte se utiliza para todas las operaciones de corte. No realice nunca cortes a mano sin





**Español (Traducción de las instrucciones originales)**

el tope de guía en su posición y bien fijado.

- Coloque el tope de guía a la anchura deseada del corte y fjelo en su posición.
- Antes de iniciar el corte, asegúrese de que el tope de guía de corte esté ubicado en paralelo respecto a la cuchilla de la sierra. Cuando vaya a cortar tableros largos o paneles anchos, utilice siempre un soporte de trabajo.
- Mantenga la pieza contra el tope de guía y pásela por la cuchilla de la sierra aplicando una presión adecuada y constante.

**AJUSTES**

**⚠ ADVERTENCIA**

Antes de realizar cualquier ajuste, asegúrese de que la herramienta esté desenchufada de la fuente de alimentación y de que el interruptor se encuentre en la posición de apagado. No prestar atención a esta advertencia podría causar daños personales.

**⚠ ADVERTENCIA**

Para evitar accidentes personales, mantenga un ajuste adecuado de la tensión de la cuchilla, la alineación de la cuchilla, las guías de la cuchilla y los cojinetes de empuje.

**INSTALACIÓN Y AJUSTE DE LA CUCHILLA**

Ver figura 17.

- Afloje y retire el tornillo de mariposa, las arandelas y la tuerca en forma de D de la mesa de la sierra.
- Abra las cubiertas delanteras desenroscando el tornillo de bloqueo de la cubierta.
- Gire la perilla de bloqueo en el sentido contrario al de las agujas del reloj para desbloquear el conjunto de la guía de la cuchilla. Al girar la perilla de las guías de la cuchilla (en el sentido de las agujas del reloj, eleva el conjunto de las guías de la cuchilla; en el sentido contrario, lo baja), coloque el conjunto de las guías de la cuchilla a medio camino entre la mesa de la sierra y el alojamiento de la sierra. Vuelva a apretar la perilla de bloqueo.
- Abra la protección de la cuchilla tirando de la parte izquierda de la protección hacia fuera y alejándola de la rueda.
- Libere toda la tensión de la cuchilla.
- Retire con cuidado la cuchilla antigua.
- Utilizando unos guantes, desenroscando con cuidado

la nueva cuchilla a un brazo de distancia. Si la nueva cuchilla se ha aceitado para evitar su oxidación, puede que sea necesario limpiarla para evitar que la pieza de trabajo se manche con el aceite. Limpie con cuidado en la misma dirección de los dientes para que el paño no se quede atrapado en los dientes de la cuchilla de la sierra.

**NOTA:** Si los dientes apuntan en la dirección errónea, será necesario darle la vuelta. Sujete la cuchilla con las dos manos y gírela hacia dentro.

- Con los dientes de la cuchilla mirando hacia la izquierda de la sierra y hacia abajo, pase la cuchilla a través de las guías inferiores de la cuchilla y alrededor de las dos ruedas.
- Gire lentamente la rueda superior hacia la derecha o en el sentido de las agujas del reloj con la mano para centrar la cuchilla en las gomas de las ruedas.
- Vuelva a acoplar la palanca de tensión de la cuchilla RapidSet™ y, a continuación, ajuste la tensión de la cuchilla; compruebe o ajuste la alineación de la cuchilla.
- Ajuste las guías superior e inferior de la cuchilla y los cojinetes de empuje tal y como se explica posteriormente en este manual del usuario.
- Vuelva a colocar el tornillo de mariposa, las arandelas y la tuerca en forma de D. Apriete bien estos elementos.
- Cierre la protección de la cuchilla y la cubierta delantera. Apriete el tornillo de bloqueo de la cubierta.

**AJUSTE DEL CONJUNTO DE GUÍAS DE LA CUCHILLA**

Ver figuras 18 - 19 .

Para evitar que la cuchilla se retuerza o se rompa, el conjunto de las guías de la cuchilla siempre se debería ajustar aproximadamente 3,2 mm (1/8") por encima de la pieza de trabajo.

- Gire la perilla de bloqueo en el sentido contrario al de las agujas del reloj para desbloquear el conjunto de la guía de la cuchilla.
- A modo de guía, utilice una pieza de desecho de la misma madera que pretenda cortar para ajustar la altura del conjunto de las guías de la cuchilla. Ajuste el conjunto de las guías de la cuchilla girando la perilla de las guías de la cuchilla.
- Fije el conjunto de las guías de la cuchilla en su posición girando la perilla de bloqueo en el sentido de las agujas del reloj.
- Bloquee siempre el conjunto de las guías de la cuchilla en su posición antes de poner en marcha la sierra de cinta.





**Español (Traducción de las instrucciones originales)**

**AJUSTE DEL SOPORTE DE LAS GUÍAS DE LA CUCHILLA Y DE LOS COJINETES DE EMPUJE**

Ver figuras 20 - 21 .

**NOTA:** Apriete la perilla de bloqueo y consulte los procedimientos "Ajuste de la tensión de la cuchilla" y "Alineación de la cuchilla" que se explican en el apartado MONTAJE de este manual del usuario antes de realizar ajustes.

El soporte de los cojinetes de empuje superiores e inferiores de la cuchilla y los cojinetes guían la cuchilla de la sierra durante las operaciones de corte. El ajuste de los cojinetes y de las guías se debe comprobar siempre que se instale una cuchilla diferente.

**Para ajustar los cojinetes de empuje:**

Los cojinetes de empuje sujetan el borde posterior de la cuchilla durante el corte. La cuchilla no debe entrar en contacto con los cojinetes de empuje al detener la operación de corte. Es importante que tanto los cojinetes superiores como los inferiores se ajusten del mismo modo.

- Abra las cubiertas delanteras y la protección de la cuchilla.
- Utilizando una llave hexagonal, afloje los tornillos de los cojinetes de empuje superiores e inferiores, y presione los cojinetes de empuje hasta la parte posterior de la sierra.
- Compruebe que la cuchilla de la sierra esté bien alineada. A continuación, deslice el cojinete de empuje hacia delante hasta que esté a menos de 0,4 mm (1/64") de la cuchilla. Apriete bien el tornillo del cojinete de empuje.
- Deslice el cojinete inferior hacia delante hasta alcanzar la separación adecuada. Apriete bien el tornillo del cojinete de empuje.

**Para ajustar el soporte de las guías de la cuchilla:**

- Afloje el soporte de las guías de la cuchilla y los tornillos de ajuste de las guías de la cuchilla con llaves hexagonales.
- Deslice el soporte de las guías superiores de la cuchilla en el eje hasta que el borde delantero de las guías entre en contacto con la cuchilla de la sierra detrás del hueco. Apriete bien el tornillo.
- Presione la guía de la derecha hasta que toque la cuchilla y suéltela. Gire lentamente la rueda una vuelta completa. Apriete los tornillos de ajuste de las guías de la cuchilla.
- Ajuste la guía del lado izquierdo para dejar 0,4 mm (1/64") de separación entre la cuchilla y la guía (aproximadamente el grosor de un naípe) introduciendo un naípe entre la guía izquierda y la cuchilla.

- Aplique presión sobre el pasador de la guía izquierda para sujetar el naípe en su posición. Apriete el tornillo de ajuste y retire el naípe.
- Gire, con la mano, tres vueltas completas para asegurarse de que la cuchilla no se quedará atascada.
- Cierre la protección de la cuchilla y la cubierta delantera. Bloquee con el tornillo.

Repita este procedimiento para el soporte de las guías inferiores de la cuchilla.

**AJUSTE DEL TOPE DE GUÍA DE CORTE**

- Afloje la manilla de bloqueo girándola en el sentido contrario al de las agujas del reloj.
- Desplace el tope de guía de corte hasta la posición deseada.
- Presione hacia abajo la manilla de bloqueo para bloquear la posición del tope de guía de corte.
- Gire la manilla de bloqueo para ajustar el apriete de las fijaciones.

**MANTENIMIENTO**

**⚠ ADVERTENCIA**  
 Utilice solo piezas de recambio idénticas cuando esté realizando labores de mantenimiento de la máquina. El uso de otras piezas puede ocasionar riesgos o daños en el producto.

**⚠ ADVERTENCIA**  
 Utilice siempre una protección ocular durante el uso del producto. Si la superficie de trabajo es polvorienta, use también una careta específica.

**⚠ ADVERTENCIA**  
 Antes de realizar cualquier mantenimiento, asegúrese de que la herramienta esté desenchufada de la fuente de alimentación y de que el interruptor se encuentre en la posición de apagado. No prestar atención a esta advertencia podría causar daños personales.

**MANTENIMIENTO GENERAL**

Evite el uso de disolventes para limpiar las piezas de plástico. La mayoría de los plásticos se dañan con diferentes tipos de disolventes comerciales y se pueden dañar con su uso. Utilice un paño limpio para retirar las impurezas, el polvo, el aceite, la grasa, etc.





## Español (Traducción de las instrucciones originales)

### **⚠ ADVERTENCIA**

No permita en ningún momento que las piezas de plástico entren en contacto con líquido de frenos, gasolina, productos derivados del petróleo, aceites penetrantes, etc. Los productos químicos pueden dañar, destruir o debilitar el plástico, lo que puede ocasionar graves daños personales.

- Mantenga limpio el producto.
- Retire las virutas del interior con frecuencia.
- No deje que se acumule alquitrán en la mesa de la sierra, las guías de la cuchilla o los cojinetes de empuje. Limpie estos componentes con un extractor de goma y alquitrán.
- Aplique una fina capa de cera de automoción en la parte superior de la mesa de la sierra para que la madera se deslice fácilmente durante el corte.

### Lubricación

Todos los rodamientos de esta herramienta están lubricados con cantidad suficiente de lubricante de grado alto para toda la vida de la unidad en condiciones de funcionamiento normales. Por lo tanto, no es menester prever ninguna lubricación adicional.

### GOMAS DE LAS RUEDAS

#### Limpieza de las gomas de las ruedas:

- El alquitrán y las virutas se acumulan en las gomas de las ruedas y se deben retirar con un cepillo de cerdas finas o con un trozo de madera. **No utilice un cuchillo afilado ni ningún tipo de disolvente.**

#### Sustitución de las gomas de las ruedas:

- Abra la cubierta delantera y retire la cuchilla de la sierra. Consulte el apartado dedicado a la Instalación y ajuste de la cuchilla.
- Haga palanca con cuidado para retirar la goma de la rueda.
- Estire la nueva goma alrededor de la rueda.
- Vuelva a colocar la cuchilla de la sierra y cierre la cubierta delantera.

### CEPILLO

Ver figura 22.

Hay un cepillo situado en el interior del alojamiento de la sierra, junto a la rueda. Ayuda a proteger la goma y la rueda al eliminar las virutas. Cuando el cepillo se haya desgastado, será necesario ajustarlo o sustituirlo.

- Retire el tornillo y la arandela, y a continuación, extraiga el cepillo.

- Coloque el nuevo cepillo en la ranura.
- Finalice la instalación colocando la arandela y el tornillo.

### TRANSPORTE Y ALMACENAMIENTO

Ver figuras 23 - 24.

- Cuando transporte el producto, desconecte el cable de alimentación, baje la protección de la cuchilla y desmonte el producto. Guarde la varilla de empuje en el lateral de la carcasa superior. Eleve el producto sujetándolo por la carcasa superior tal y como se muestra. Guarde el producto en un lugar seguro que no sea accesible a los niños.
- Limpie el producto con un cepillo y un aspirador antes de su almacenamiento.

### PROTECCIÓN DEL MEDIO AMBIENTE



Recicle las materias primas en lugar de tirarlas a la basura doméstica. Para proteger el medio ambiente, debe separar la herramienta, los accesorios y los embalajes.

### SÍMBOLO



Alerta de seguridad



Conformidad CE



Por favor, lea atentamente las instrucciones antes de encender el producto.



Utilice gafas de seguridad



Utilice dispositivos de protección para los oídos



PELIGRO! Cuchilla afilada.



Bloquear

**Español (Traducción de las instrucciones originales)**



Desbloquear



Profundidad máxima de corte



Anchura máxima de corte



Ángulo máximo de corte



Velocidad de funcionamiento



Tamaño de cuchilla



Se debe desconectar la herramienta de la corriente antes de realizar actividades de mantenimiento.



Los productos eléctricos de desperdicio no deben desecharse con desperdicios caseros. Por favor recíclelos donde existan dichas instalaciones. Compruebe con su autoridad local o minorista para reciclar.



## Español (Traducción de las instrucciones originales)

### RESOLUCIÓN DE PROBLEMAS

Problema	Causa posible	Solución
El motor no funciona	<ol style="list-style-type: none"> <li>1. Problema con el interruptor de encendido/apagado o con el cable de alimentación.</li> <li>2. Motor defectuoso.</li> <li>3. La cuchilla está atascada.</li> </ol>	<ol style="list-style-type: none"> <li>1. Solicite la sustitución de las piezas desgastadas antes de volver a utilizar el producto.</li> <li>2. No intente realizar ninguna reparación. La herramienta deberá ser reparada por personal cualificado.</li> <li>3. Extraiga el material atascado.</li> </ol>
La cuchilla no pasa aproximadamente por el centro de la rueda superior.	<ol style="list-style-type: none"> <li>1. Alineación incorrecta.</li> </ol>	<ol style="list-style-type: none"> <li>1. Ajuste la alineación, consulte el apartado AJUSTES, "Alineación de la cuchilla".</li> <li>2. Si se daña, mándelo inmediatamente a un técnico cualificado.</li> </ol>
La sierra de cinta se ralentiza durante el corte.	<ol style="list-style-type: none"> <li>1. Corte con un radio demasiado pequeño.</li> <li>2. Cuchilla roma.</li> </ol>	<ol style="list-style-type: none"> <li>1. Deje de suministrar material de corte y tire de él hacia atrás ligeramente hasta que la sierra de cinta se acelere.</li> <li>2. Sustituya la cuchilla.</li> </ol>
Rotura de la cuchilla.	<ol style="list-style-type: none"> <li>1. Tensión excesiva de la cuchilla.</li> <li>2. Cuchilla retorcida debido a un corte con un radio demasiado pequeño o a un giro demasiado rápido del material durante el corte.</li> <li>3. Cojinetes de empuje marcados o que no giran.</li> </ol>	<ol style="list-style-type: none"> <li>1. Ajuste la tensión. Consulte el apartado AJUSTES, "Ajuste de la tensión de la cuchilla".</li> <li>2. Utilice la técnica de corte correcta. Consulte el apartado Funcionamiento.</li> <li>3. Sustituya los cojinetes de empuje.</li> </ol>
El producto produce ruido durante su funcionamiento.	<ol style="list-style-type: none"> <li>1. Tensión excesiva de la cuchilla.</li> <li>2. Las guías de la cuchilla y los cojinetes están en contacto con la cuchilla.</li> </ol>	<ol style="list-style-type: none"> <li>1. Ajuste la tensión. Consulte el apartado AJUSTES, "Ajuste de la tensión de la cuchilla".</li> <li>2. Ajuste las guías superior e inferior de la cuchilla y los cojinetes. Consulte el apartado AJUSTES, "Ajuste de los cojinetes de empuje y del soporte de la guía de la cuchilla".</li> </ol>
La cuchilla no realiza cortes rectos.	<ol style="list-style-type: none"> <li>1. Las guías de la cuchilla y los cojinetes no están bien ajustados.</li> <li>2. Cuchilla desgastada o defectuosa.</li> </ol>	<ol style="list-style-type: none"> <li>1. Ajuste las guías superior e inferior de la cuchilla y los cojinetes. Consulte el apartado AJUSTES, "Ajuste de los cojinetes de empuje y del soporte de la guía de la cuchilla".</li> <li>2. Sustituya la cuchilla.</li> </ol>
Las guías de la cuchilla no se mantienen en su posición.	<ol style="list-style-type: none"> <li>1. Los tornillos de la guía de la cuchilla se han aflojado.</li> </ol>	<ol style="list-style-type: none"> <li>1. Apriete bien los tornillos de la guía de la cuchilla.</li> </ol>
El motor funciona, pero la cuchilla no gira.	<ol style="list-style-type: none"> <li>1. La tensión no está bien ajustada.</li> <li>2. Correa de transmisión rota.</li> </ol>	<ol style="list-style-type: none"> <li>1. Utilice la palanca de tensión de la cuchilla para ajustar la tensión.</li> <li>2. Si se daña, mándelo inmediatamente a un técnico cualificado.</li> </ol>





**Italiano (Traduzione dalle istruzioni originali)**

**DESCRIZIONE**

- |  |                                     |
|--|-------------------------------------|
| 1. Manopola della tensione della lama        | 53. Blocco                          |
| 2. Vite di blocco del coperchio              | 54. Cuscinetto reggispinta          |
| 3. Finestra di visualizzazione di puntamento | 55. Vite per cuscinetto reggispinta |
| 4. Luce da lavoro                            | 56. Vite per supporto guidalama     |
| 5. Paralame                                  | 57. Supporto superiore guidalama    |
| 6. Lama sega                                 | 58. Guidalama                       |
| 7. Goniometro                                | 59. Vite di fissaggio guidalama     |
| 8. Foro di scarico della polvere             | 60. Vite per guidalama              |
| 9. Indicatore di dimensione                  | 61. Supporto inferiore guidalama    |
| 10. Manopola di regolazione dell'angolo      | 62. Spazzola                        |
| 11. Scala                                    | 63. Rondella                        |
| 12. Leva di blocco del piano                 | 64. Viti                            |
| 13. Manopola di blocco                       | 65. Gomma                           |
| 14. Manopola di regolazione del guidalama    |                                     |
| 15. Leva di tensione della lama              |                                     |
| 16. Piastra anteriore                        |                                     |
| 17. Vite di registrazione                    |                                     |
| 18. Interruttore On/Off (Acceso/Spento)      |                                     |
| 19. Piano della sega                         |                                     |
| 20. Pannello frontale inferiore              |                                     |
| 21. Pannello frontale superiore              |                                     |
| 22. Guida parallela                          |                                     |
| 23. Interruttore luce da lavoro              |                                     |
| 24. Varilla de empuje                        |                                     |
| 25. Cacciavite a stella (non incluso)        |                                     |
| 26. Chiave regolabile (non incluso)          |                                     |
| 27. Squadra combinata piccola (non incluso)  |                                     |
| 28. Chiave esagonale , 3 mm                  |                                     |
| 29. Chiave esagonale , 4 mm                  |                                     |
| 30. Chiave esagonale , 5 mm                  |                                     |
| 31. Rondella                                 |                                     |
| 32. Dadi a testa tonda                       |                                     |
| 33. Rondelle                                 |                                     |
| 34. Pies                                     |                                     |
| 35. Bulloni di blocco                        |                                     |
| 36. Dadi esagonali                           |                                     |
| 37. Prolunga supporto                        |                                     |
| 38. Fori base della lama                     |                                     |
| 39. Dado a D                                 |                                     |
| 40. Vite ad alette                           |                                     |
| 41. Staffa per piano                         |                                     |
| 42. Gruppo guidalama                         |                                     |
| 43. Bullone di regolazione                   |                                     |
| 44. Per ridurre la tensione                  |                                     |
| 45. Per aumentare la tensione                |                                     |
| 46. Manopola di blocco                       |                                     |
| 47. Fessura per goniometro                   |                                     |
| 48. Viti a stella                            |                                     |
| 49. Ruota superiore                          |                                     |
| 50. Guide lama inferiori                     |                                     |
| 51. Ruota inferiore                          |                                     |
| 52. Sblocco                                  |                                     |





## Italiano (Traduzione dalle istruzioni originali)

Durante la progettazione di questa sega a nastro è stata data la massima priorità a sicurezza, prestazioni e affidabilità.

### UTILIZZO

La sega a nastro è progettata per eseguire tagli diritti, tagli a scorrimento e tagli circolari su legno e altri materiali in legno.

Il prodotto deve essere utilizzato solo da operatori adulti, che abbiano letto il manuale di istruzioni e abbiano compreso rischi e pericoli.

La motosega deve essere utilizzata in condizioni asciutte con un'illuminazione eccellente e un'adeguata ventilazione.

Il prodotto è indicato per l'uso hobbistico e deve essere utilizzato solo come descritto sopra e non per qualsiasi altro scopo.

### AVVERTENZE GENERALI DI SICUREZZA

#### AVVERTENZE

Quando si utilizzano elettroattrezzi, si dovranno sempre seguire precauzioni di base di sicurezza per ridurre il rischio di incendi, scosse elettriche e lesioni personali. Leggere tutte le istruzioni prima di tentare di mettere in funzione il prodotto e conservare queste istruzioni.

- **Tenere l'area di lavoro libera.** Zone e banchi di lavoro in disordine possono causare incidenti.
- **Tenere in considerazione l'area di lavoro.** Non esporre gli utensili a pioggia. Non utilizzare gli utensili in luoghi umidi o bagnati. Mantenere l'area di lavoro ben illuminata. Non utilizzare in presenza di liquidi infiammabili o gas.
- **Dispositivo contro scosse elettriche.** Evitare il contatto del corpo con superfici con messa a terra (per esempio, tubi, radiatori, stufe, refrigeratori).
- **Tenere lontane tutte le altre persone.** Tenere eventuali osservatori, soprattutto bambini a distanza di sicurezza, evitare che tocchino l'utensile o la prolunga e tenerli lontani dall'area di lavoro.
- **Riporre gli utensili che non vengono utilizzati.** Quando non si utilizza l'utensile, riporlo in un luogo chiuso e asciutto, lontano dalla portata dei bambini.
- **Non forzare l'utensile.** Svolgerà il lavoro per il quale è stato progettato in maniera migliore e più sicura.
- **Utilizzare l'utensile adatto.** Non utilizzare piccoli attrezzi per lavori pesanti. Non utilizzare gli utensili per scopi per i quali non sono stati progettati, per esempio non utilizzare le motoseghe circolari per tagliare rami o tronchi.

- **Vestirsi adeguatamente.** Non indossare abiti con parti svolazzanti o gioielli che potrebbero rimanere impigliati nelle parti in movimento. Si raccomanda di indossare calzature anti-scivolo quando si lavora all'esterno. Indossare una rete di protezione per capelli per contenere eventuali capelli lunghi.
- **Utilizzare attrezzatura di protezione.** Utilizzare occhiali di sicurezza. Utilizzare una maschera antipolvere per il viso se si lavora in ambienti polverosi.
- **Cliegare l'attrezzatura per estrarre polvere.** Se l'utensile viene fornito con l'accessorio per l'estrazione e la raccolta della polvere, assicurarsi che tali accessori siano correttamente collegati e utilizzati.
- **Non sottoporre il cavo a stress.** Non tirare mai il cavo per scollegarlo dalla presa. Tenere il cavo lontano da calore, olio e parti affilate.
- **Assicurare il pezzo sul quale si sta lavorando.** Ove possibile utilizzare staffe o morsetti per reggere il pezzo sul quale si sta lavorando. È più sicuro che utilizzare le proprie mani.
- **Non pretendersi.** Mantenere sempre l'equilibrio e un punto di appoggio sicuro.
- **Svolgere sempre le dovute manutenzioni sull'utensile.** Tenere le lame affilate e pulite per garantire prestazioni migliori e sicure. Seguire le istruzioni per lubrificare e cambiare gli accessori. Ispezionare i cavi dell'utensile periodicamente e, se danneggiati, farli riparare da un centro servizi autorizzato. Ispezionare periodicamente la prolunga e sostituirla se danneggiata. Tenere i manici asciutti e puliti e rimuovere dagli stessi eventuali tracce di sporco e olio.
- **Scollegare gli utensili.** Quando non si utilizza l'utensile, prima di svolgere eventuale manutenzione e quando si cambiano accessori come lame, punte e dispositivi di taglio, scollegare gli utensili dall'alimentazione.
- **Rimuovere tutte le chiavi di regolazione.** Controllare sempre che le chiavi e i dispositivi di regolazione siano stati rimossi dall'utensile prima di avviarlo.
- **Evitare l'avvio accidentale.** Assicurarsi che l'interruttore si trovi su "off" (spento) prima di collegare l'utensile.
- **Utilizzare prolunghe per esterni.** Quando si utilizza l'utensile all'interno, utilizzare solo prolunghe adatte a tale utilizzo e contrassegnate come tali.
- **Conservare sempre la massima attenzione.** Esercitare sempre la massima attenzione in quello che si sta facendo e non mettere in funzione l'utensile se si è stanchi.
- **Controllare eventuali parti danneggiate.** Prima di utilizzare ulteriormente l'utensile, controllarlo attentamente per capire se funzionerà correttamente.





## Italiano (Traduzione dalle istruzioni originali)

e svolgerà le funzioni per le quali è stato progettato. Controllare l'allineamento delle parti in movimento, l'eventuale blocco delle parti, le eventuali parti rotte, il montaggio ed altre condizioni che potranno influenzare le operazioni. Un paralame o un'altra parte danneggiata deve essere riparata o sostituita da un centro servizi autorizzato a meno che non sia indicato diversamente sul manuale d'istruzioni. Far sostituire gli interruttori difettosi da un centro servizi autorizzato. Non utilizzare l'utensile se non si accende o spegne.

- **Avvertenze.** L'utilizzo di qualsiasi accessorio o dispositivo diverso da quelli raccomandati nel manuale d'istruzioni potrà causare rischi di gravi lesioni personali.
- **Far riparare l'utensile da personale qualificato.** Questo utensile elettrico rispetta le norme di sicurezza corrispondenti. Le riparazioni dovranno essere svolte da persone qualificate utilizzando le parti originali altrimenti ciò potrebbe causare gravi lesioni all'utente.

### ISTRUZIONI DI SICUREZZA DELLA SEGA A NASTRO

- **Fissare saldamente con un morsetto o un bullone la sega al banco da lavoro approssimativamente all'altezza dell'anca.**
- **Non usare mai la sega sul pavimento.**
- **Evitare operazioni difficili e non posizionare le mani in modo che entrino in contatto con la lama a causa di un movimento improvviso.** Mantenere sempre un solido equilibrio.
- **Lasciare che il motore raggiunga la piena velocità prima di iniziare l'operazione di taglio per evitare inceppamenti e arresti.**
- **Non utilizzare l'utensile se l'interruttore non si accende o spegne.** Far sostituire gli interruttori difettosi da un centro servizi autorizzato.
- **Parti di ricambio.** Tutte le riparazioni, elettriche o meccaniche, devono essere effettuate da un tecnico qualificato presso un centro di assistenza autorizzato.
- **Quando si svolgono operazioni di manutenzione, utilizzare solo ricambi identici.** Utilizzare parti di ricambio diverse potrebbe causare rischi o danneggiare il prodotto.
- **Tenere le mani lontane dall'area di taglio.** Non tenere in mano pezzi di dimensioni troppo piccole che potrebbero schiacciare il dito tra il pezzo stesso e il paralame. Non abbassarsi sotto la parte da tagliare, nè posizionarsi sulla traiettoria della lama con le mani e le dita per nessuna ragione.
- **Non tagliare mai più di un pezzo alla volta o impilare più di un pezzo sul piano.**
- **Non far avanzare il pezzo troppo in fretta.** Non

forzare il pezzo contro la lama.

- **Utilizzare solo le lame corrette.** Utilizzare la lama delle dimensioni e dello stile corretto per il materiale e il tipo di taglio. I denti della lama devono puntare in basso verso il piano.
- **Sostenere sempre i pezzi di grandi dimensioni durante le operazioni di taglio per ridurre al minimo il rischio di blocco della lama o contraccolpo.** Durante il taglio di tavole larghe o pesanti, la sega potrebbe slittare, avanzare o scivolare.
- **Non rimuovere i pezzi di taglio inceppati fino al completo arresto della lama.**
- **Non utilizzare nastri per sega danneggiati o deformati.**
- **Sostituire inserti da banco consumati.**
- **Collegare la sega a un dispositivo di collegamento quando si taglia il legno.**
- **Non utilizzare il prodotto quando il dispositivo di protezione della sega a nastro è aperto.**
- **Selezionare la sega a nastro e la velocità in funzione del materiale da tagliare.**
- **Non pulire la sega a nastro mentre è in movimento.**
- **Indossare guanti quando si maneggia la sega a nastro e il materiale grezzo.**
- **Utilizzare uno spingipezzo durante le operazioni di taglio dritto con pezzi di piccole dimensioni utilizzando la guida.**
- **Trasportare il prodotto con la protezione del nastro completamente abbassata e vicina al banco.**
- **Posizionare la guida sul lato inferiore del banco durante le operazioni di taglio angolato con il piano inclinato.**
- **Utilizzare un dispositivo di tenuta adatto durante le operazioni di taglio rotondo o irregolare del legno per impedire la torsione del pezzo.**
- **Non utilizzare le protezioni per la movimentazione o il trasporto**
- **Regolare la protezione regolabile quanto più vicino possibile al pezzo.**
- **Non toccare la lama o altre parti in movimento durante l'uso.**
- **Prima di modificare la configurazione e rimuovere i coperchi, le protezioni o le lame, scollegare la sega dalla fonte di alimentazione.**
- **Sempre mantenga firme la pieza de trabajo contra la mesa.**
- **Per evitare il contatto accidentale con la lama, ridurre al minimo la rottura della lama e fornire il massimo supporto per la lama stessa.** Regolare sempre il gruppo guidalama in modo che allontani solo il pezzo in lavorazione.





## Italiano (Traduzione dalle istruzioni originali)

- **Mantenere le lame affilate, appuntite e in buone condizioni.** Le lame affilate riducono i blocchi e i rimbalzi.
- **Spegner sempre la motosega prima di scollegarla, per evitare l'avvio accidentale quando la si ricollega all'alimentazione.**
- **Assicurarsi che l'area di lavoro sia correttamente illuminata per permettere di vedere chiaramente le operazioni di lavoro e che non vi siano eventuali ostacoli che interferiscano con la sicurezza delle operazioni prima di iniziare a utilizzare la sega.**
- **I guidalama sono stati preimpostati in fabbrica.** Queste impostazioni sono funzionali per alcune applicazioni. Si consiglia di controllare e regolare le impostazioni del guidalama prima di utilizzare la sega per la prima volta. Fare riferimento alle procedure illustrate in "Regolazione dei cuscinetti reggispinta e del supporto del guidalama" nella sezione REGOLAZIONI di questo manuale dell'operatore.
- **Non utilizzare l'utensile per tagliare il metallo.**
- **Questo utensile dovrebbe essere contrassegnato dalle seguenti marcature:**
  - Indossare occhiali di protezione
  - Tenere le mani lontane dalla lama.
  - Non rimuovere i pezzi di taglio inceppati fino al completo arresto della lama.
  - Assicurarsi che la lama sia installata con i denti rivolti verso il basso.
  - Mantenere una corretta regolazione della tensione della lama, dei guidalama e dei cuscinetti reggispinta.
  - Regolare la guida superiore per allontanare solo il pezzo in lavorazione.
  - Durante le operazioni di taglio premere saldamente il pezzo in lavorazione contro il piano.
- **Se il cavo di alimentazione è danneggiato deve essere sostituito solo dalla ditta produttrice o dal centro servizi autorizzato per evitare eventuali rischi.**
- **Conservare queste istruzioni.** Far spesso riferimento alle istruzioni e utilizzarle per istruire altri. Prestare l'utensile sempre assieme a queste istruzioni.

### PARTE ELETTRICA

#### PROLUNGHE

Utilizzare un cavo di prolunga tripolare con una spina di terra con 3 perni a una presa con 3 fori. Quando si utilizza un utensile a una considerevole distanza dall'alimentazione principale, utilizzare una prolunga idonea a portare la corrente necessaria per alimentare il prodotto. Una prolunga non idonea potrà causare perdita

di voltaggio e farà surriscaldare il motore.

Prima di utilizzare un cavo di prolunga, ispezionarlo per verificare la presenza di fili allentati o esposti e isolamento tagliato o usurato.

#### **⚠ AVVERTENZE**

Tenere la prolunga lontana dall'area di lavoro. Posizionare il cavo in modo che non rimarrà impigliato in pezzi di legno, utensili o altri oggetti mentre si utilizza un elettroutensile. La mancata osservanza di questa norma potrà comportare gravi lesioni fisiche.

#### **⚠ AVVERTENZE**

Controllare le prolunghe prima di ogni utilizzo. Se danneggiato sostituire immediatamente. Non utilizzare mai utensili con un cavo danneggiato dal momento che toccare la zona danneggiata potrà causare scosse elettriche che provocheranno gravi lesioni.

#### COLLEGAMENTO ELETTRICO

Questo prodotto viene alimentato con un motore elettrico di precisione integrato. Dovrebbe essere collegata solo a un'alimentazione da 220~240V, AC (normale corrente domestica), 50 Hz. Non mettere in funzione con corrente diretta (DC). Una sostanziale caduta di voltaggio causerà una perdita di potenza e farà surriscaldare il motore. Se il prodotto non funziona quando viene collegato a una presa, controllare l'alimentazione elettrica.

#### VELOCITÀ E CABLAGGIO

La velocità a vuoto del prodotto è di circa 11 m/s. La velocità non è costante e diminuisce sotto carico o con un voltaggio più basso. Per la tensione, il cablaggio dell'officina è importante quanto la potenza nominale in ingresso nel motore. Un impianto elettrico per la luce potrà non essere in grado di reggere un elettroutensile. Un cavo abbastanza pesante per una breve distanza sarà troppo leggero per una distanza più grande. Un impianto elettrico in grado di reggere un elettroutensile potrà non essere in grado di reggerne contemporaneamente due o tre.

#### ISTRUZIONI PER LA MESSA A TERRA

Questo prodotto deve essere direttamente collegato a terra. Nel caso in cui si verifichi un malfunzionamento o una rottura, la messa a terra fornisce un percorso a bassa resistenza che riduce il rischio di scosse elettriche. Questo prodotto è dotato di un cavo con un connettore di terra e una presa di terra. La spina deve essere inserita in una presa idonea correttamente installata e collegata seguendo tutte le norme locali.

Non modifi care la presa fornita. Se la spina non entra nella presa, far installare una presa adatta da un tecnico





## Italiano (Traduzione dalle istruzioni originali)

qualifi cato. Riparare o sostituire un cavo danneggiato o consumato immediatamente.

### RISCHI RESIDUI

Anche quando il prodotto viene utilizzato come indicato, sarà ancora impossibile eliminare completamente alcuni fattori di rischio residuo. Si potranno verificare i seguenti rischi e l'operatore dovrà prestare particolare attenzione per evitare quanto segue:

- Rimbалzo delle parti sulle quali si sta lavorando e delle parti di lavoro a causa di regolazione o gestione scorretta.
- Danni al sistema respiratorio.  
**NOTE:** Indossare maschere di protezione contenenti filtri adeguati ai materiali che si stanno manipolando. Assicurarsi una adeguata ventilazione del luogo di lavoro. Non mangiare, bere, né fumare nell'area di lavoro.
- Danni all'udito nel caso in cui non si indossino cuffie.

### FAMILIARIZZARE CON IL PRODOTTO

Vedere la figura 1.

L'utilizzo sicuro di questo prodotto richiede una comprensione delle informazioni sul prodotto e di questi manuali di funzionamento come pure una conoscenza del lavoro da svolgere. Prima di procedere all'utilizzo dell'apparecchio, acquisire dimestichezza con tutte le sue funzionalità e specificità in termini di sicurezza.

### MANOPOLA DI REGOLAZIONE DELL'ANGOLO

Inclina il piano della sega per eseguire il taglio smussato.

### PARALAME

Protegge l'operatore dal pericolo di contatto con la lama.

### MANOPOLA DI REGOLAZIONE DEL GUIDALAMA

Utilizzare la manopola di regolazione del guidalama per regolare il guidalama su e giù, e per proteggere la lama da torsione o rottura. Bloccare sempre il gruppo guidalama in posizione prima di accendere la sega a nastro.

### GUIDALAMA

I guidalama superiori e inferiori contribuiscono ad impedire la torsione della lama durante il funzionamento.

### FORO DI SCARICO DELLA POLVERE

Un foro di scarico della polvere di 53 mm (2-1/8") consente di eseguire tagli senza l'ingresso di polvere. Collegare un sacchetto di raccolta della polvere (non incluso) o un aspiratore al foro di scarico della polvere.

### VITE DI BLOCCO DEL COPERCHIO

Consente di aprire il coperchio per eseguire le regolazioni.

### GONIOMETRO

Questo goniometro consente di allineare il legno per eseguire un taglio trasversale. L'indicatore di facile lettura consente di visualizzare l'angolo esatto per un taglio obliquo a 15°, 30°, 45° e 60°.

### LEVA DI TENSIONE DELLA LAMA RAPIDSET™

Controlla la tensione della lama quando si cambiano le lame e si eseguono le regolazioni per le varie applicazioni di taglio.

### LAMA SEGA

La sega è dotata di una lama standard da 6,35 mm (1/4").

### PIANO DELLA LAMA CON PIASTRA ANTERIORE

La sega a nastro è dotata di un piano di controllo dell'inclinazione. La piastra anteriore, installata dal produttore nel piano, consente il posizionamento della lama.

### SCALA E INDICATORE DI DIMENSIONE

La scala e l'indicatore di dimensione mostrano l'angolo o il grado di inclinazione del piano per il taglio smussato.

### LEVA DI BLOCCO DEL PIANO

Allentando la leva di blocco del piano è possibile inclinare il piano in angoli differenti. Serrando la leva di blocco del piano è possibile bloccare il piano in posizione.

### VITE DI REGISTRAZIONE

Regola il puntamento per mantenere la lama centrata sulle ruote.

### FINESTRA DI VISUALIZZAZIONE DI PUNTAMENTO

La finestra di visualizzazione del puntamento consente di visualizzare agevolmente le regolazioni di puntamento.

### VARILLA DE EMPUJE

Utilizzare sempre lo spingipezzo per far avanzare completamente il pezzo sul piano.







## Italiano (Traduzione dalle istruzioni originali)

### LISTA DE PIEZAS SUELTAS

Descrizione	Q.tà
Rondelle	7
Leva di blocco del piano	1
Chiave esagonale , 3 mm	1
Chiave esagonale , 4 mm	1
Chiave esagonale , 5 mm	1
Goniometro	1
Dadi ciechi	4
Pies	4
Piano della sega	1
Bulloni di blocco	2
Dadi esagonali	2
Supporto prolunga	1
Guida parallela	1
Varilla de empuje	1
Manuale per operatore	1

### MONTAGGIO

#### RIMOZIONE DELL'INVOLUCRO

Questo prodotto deve essere montato.

- Sollevare delicatamente il prodotto dal cartone e posizionarlo su una superficie di lavoro piana.

#### **⚠ AVVERTENZE**

Non utilizzare questo prodotto se, dopo aver aperto la confezione, eventuali parti indicate sull'Elenco parti sfuse sono già assemblate al prodotto. Le parti elencate nell'elenco non sono montate dal fabbricante e devono essere installate dal cliente. L'utilizzo di un prodotto che può essere stato impropriamente montato potrebbe causare gravi lesioni personali.

- Ispezionare con cura l'utensile per assicurarsi che non si sia verificata alcuna rottura o danneggiamento durante il trasporto. **NOTE:** Questa sega è stata spedita senza tensione della lama. Non avviare la lama prima di aver impostato correttamente la tensione della lama.
- Gettare il materiale di imballaggio solo dopo aver controllato con attenzione e in modo soddisfacente il

regolare funzionamento dell'utensile.

- In caso di parti danneggiate o mancanti, contattare il centro di assistenza tecnica.

#### **⚠ AVVERTENZE**

In caso di parti danneggiate o mancanti non utilizzare il prodotto fino a quando le parti non saranno state sostituite. L'utilizzo di questo prodotto con parti danneggiate o mancanti può causare gravi lesioni personali.

#### **⚠ AVVERTENZE**

Non tentare di modificare l'utensile o creare accessori non raccomandati per l'utilizzo con questo utensile. Tali modifiche equivalgono a un utilizzo non consentito e possono causare situazioni pericolose in grado di provocare gravi lesioni fisiche.

#### **⚠ AVVERTENZE**

Non collegare alla rete elettrica fino a montaggio completo. Il mancato rispetto di questa norma potrebbe comportare l'avvio accidentale e lesioni personali gravi.

### MONTAGGIO DEL PRODOTTO AL BANCO DA LAVORO

Se il prodotto deve essere utilizzato in una posizione permanente, deve essere montato su una superficie di appoggio stabile come un banco da lavoro. A tal fine, la base della sega è dotata di quattro fori. I bulloni (non inclusi) devono essere di lunghezza sufficiente per accogliere la base della sega, le rondelle di blocco (non incluse), i dadi esagonali (non inclusi) e lo spessore del banco da lavoro. Serrare tutti i quattro bulloni in modo sicuro.

Ispezionare attentamente il banco da lavoro dopo il montaggio per assicurarsi che non si verifichi alcun movimento durante l'uso. Se si nota ribaltamento, scivolamento o avanzamento, fissare il banco da lavoro a terra prima di utilizzarlo.

- Posizionare il prodotto sul banco da lavoro. Utilizzando la base come modello, individuare e segnare i fori in cui il prodotto deve essere montato.
- Praticare i fori attraverso il banco da lavoro.
- Posizionare la sega a nastro sul banco da lavoro allineando i fori nella base della sega con i fori praticati nel banco da lavoro.
- Inserire le viti (non incluse) e serrare saldamente con le rondelle di blocco e i dadi esagonali (non inclusi). **NOTE:** Tutti i bulloni devono essere inseriti dall'alto. Installare le rondelle di blocco e i dadi esagonali dalla





**Italiano (Traduzione dalle istruzioni originali)**

parte inferiore del banco.

**FISSAGGIO DEL PRODOTTO AL BANCO DA LAVORO**

*Vedere la figura 4.*

Se il prodotto deve essere utilizzato come utensile portatile, si consiglia di agganciarlo stabilmente ad una tavola di montaggio che può essere facilmente fissata ad un banco da lavoro o a un'altra superficie di supporto. La tavola di montaggio deve essere di dimensioni sufficienti per impedire il ribaltamento della sega durante l'uso. Si raccomanda l'impiego di compensato o truciolato di buona qualità con spessore di 19 mm (3/4").

Se si utilizzano viti mordenti, assicurarsi che siano della lunghezza sufficiente per passare attraverso i fori nella base della sega e nel materiale su cui essa viene montata. Se si utilizzano bulloni, assicurarsi che i bulloni siano della lunghezza sufficiente per passare attraverso i fori nella base della sega, il materiale su cui viene montata nonché le rondelle di blocco e i dadi esagonali.

**NOTE: POTREBBE ESSERE NECESSARIO SVASARE I DADI ESAGONALI E LE RONDELLE SUL LATO INFERIORE DELLA TAVOLA DI MONTAGGIO.**

- Fissare la sega alla tavola utilizzando i fori nella base della sega come modello per il tipo di foro. Individuare e segnare i fori in cui montare la sega a nastro.
- Seguire gli ultimi tre passaggi nella sezione Montaggio del prodotto al banco da lavoro, illustrati sopra.

**MONTAGGIO DEL PIANO**

*Figure dalla 5, 7.*

- Rimuovere il dado a d, le rondelle e la vite ad alette sul piano.
- Stando di fronte alla sega a nastro, far scorrere il piano oltre la lama e attraverso la fessura muovendosi dal lato destro al lato sinistro del piano.
- Tenere il piano con la mano sinistra mentre si spinge la manopola di regolazione dell'angolo lontano dal telaio della sega, allineare i denti sulla staffa del piano nei denti sulla manopola di regolazione dell'angolo. Rilasciare la manopola.
- Montare i perni sul telaio nelle fessure della staffa del piano.
- Inserire la rondella sull'estremità filettata della leva di blocco del piano. Serrare il piano al telaio ruotando la leva di blocco del piano in senso orario.
- Fissare il dado a d, le rondelle e la vite ad alette al piano.

**NOTE:** La vite ad alette deve inserirsi nella parte inferiore del piano della sega.

**INSTALLAZIONE DEL SUPPORTO PROLUNGA**

*Vedere la figura 6.*

- Inserire i tubi del supporto prolunga nei fori della base della sega dal retro.
- Allineare i fori sui tubi e quelli sulla base della sega.
- Inserire le viti di blocco e serrare con le rondelle e i dadi esagonali.

**ALLINEARE IL PIANO ALLA LAMA**

*Figure dalla 8 alla 9.*

- Ruotare la manopola di blocco in senso antiorario per sbloccare il gruppo guidalama. Ruotando la manopola di regolazione del guidalama in senso orario, si solleva il gruppo guidalama fino in fondo. Ruotare la manopola di blocco in senso orario per serrare nuovamente.
- Posizionare una squadra combinata sul piano accanto alla lama.
- Allentare la leva di blocco del piano e ruotare la manopola di regolazione dell'angolo per inclinare il piano in alto o in basso per allineare il piano di 90° alla lama (posiziona a 0°). Serrare nuovamente la leva di blocco del piano.
- Ruotare il bullone di regolazione fino a quando il bullone tocca appena l'alloggiamento della sega.
- Verificare la perpendicolarità del piano. Eseguire nuovamente delle regolazioni, laddove necessario.
- Impostare l'indicatore di scala su zero e serrare la vite con un cacciavite a stella.

**NOTE: eseguire sempre un taglio di prova per verificare la perpendicolarità della lama prima di iniziare qualsiasi nuovo progetto.** Se non perpendicolare, può essere necessario allentare le viti sotto il piano per effettuare la regolazione (la fessura del goniometro deve essere parallela alla lama). Una volta perpendicolare, serrare le viti.

**REGOLAZIONE DELLA TENSIONE DELLA LAMA**

*Figure dalla 10-11.*

- Spegner il prodotto.
- Prima di usare la sega a nastro, ruotare la manopola di tensione della lama sulla parte superiore della sega in senso orario per fissare la tensione.
- NOTE: è possibile eseguire in qualsiasi momento regolazioni della tensione della lama.
- Pizzicare il bordo rettilineo della lama come una corda di chitarra mentre si ruota la manopola di tensione.

Il suono diventa più acuto con l'aumentare della tensione. Non aumentare la tensione della lama tanto da comprimere completamente la molla. Quando è completamente compressa, la molla non può più fungere da ammortizzatore.





**Italiano (Traduzione dalle istruzioni originali)**

Una tensione eccessiva può causare la rottura della lama. I pezzi da lavorare con spessore maggiore richiedono una tensione superiore; non tutti i tagli richiedono la massima tensione. Una tensione troppo ridotta può causare lo scivolamento della lama sulle ruote.

**PUNTAMENTO DELLA LAMA**

*Vedere la figura 11.*

Regolare la tensione della lama correttamente prima di effettuare le regolazioni di puntamento. Verificare che i guidalama non interferiscano con la lama. La gola della lama (ossia, la parte più profonda del dente della lama) deve trovarsi al centro della gomma.

**Per regolare:**

Scollegare dalla rete elettrica. Aprire i coperchi anteriori svitando la vite di blocco del coperchio. Guardare la posizione della lama sulla gomma superiore mentre con la mano si gira lentamente la ruota superiore in senso orario. Se la lama si allontana dal centro della gomma, il puntamento deve essere regolato.

**Se la lama si è spostata a sinistra o a destra del centro:**

- Ruotare la manopola di puntamento della lama (in senso orario se la lama si è spostata a sinistra, in senso antiorario se lama si è spostata a destra) mentre si gira la ruota con la mano fino a quando la lama si muove indietro e si innesta nel centro della gomma.
- Controllare la posizione della lama sulla gomma inferiore. La lama deve trovarsi completamente sulla gomma (ossia, la gola dei denti della lama deve trovarsi al centro). In caso contrario, regolare il puntamento finché la lama si trova su entrambe le gomme.
- Ruotare la ruota superiore manualmente in senso orario per pochi giri. Assicurarsi che la lama si trovi nella stessa posizione delle gomme. Regolare, se necessario, fino a quando la lama viene puntata correttamente.
- Chiudere i coperchi anteriori e serrare la vite di blocco del coperchio.
- Accendere il prodotto.
- Verificare che lama sia centrata sulla gomma (attraverso la finestra di visualizzazione di puntamento). Se non è centrata, ripetere i passaggi sopra indicati.

**⚠ AVVERTENZE**

I guidalama sono stati preimpostati in fabbrica. Queste impostazioni sono funzionali per alcune applicazioni. Si consiglia di controllare e regolare le impostazioni del guidalama prima di utilizzare la sega per la prima volta. Fare riferimento alle procedure illustrate in "Regolazione del supporto guidalama e dei cuscinetti reggispinna" nella sezione "Regolazione" di questo manuale dell'operatore.

**INSTALLAZIONE DELLA GUIDA PARALLELA**

- Posizionare la guida parallela sul lato sinistro del piano, con la maniglia di blocco nella parte anteriore.
- Spingere verso il basso la maniglia di blocco per bloccare la posizione della guida parallela.
- Ruotare la maniglia di blocco per regolare la tenuta dei morsetti.

**FUNZIONAMENTO**

**⚠ AVVERTENZE**

Fare sempre attenzione, anche dopo avere acquisito dimestichezza con l'apparecchio. Non dimenticare mai che basta un secondo di distrazione per ferirsi in modo grave.

**⚠ AVVERTENZE**

Indossare sempre occhiali di protezione. La mancata osservanza di questa norma, nel caso di proiezione di corpi estranei, potrebbe causare gravi lesioni.

**⚠ AVVERTENZE**

Non utilizzare accessori o complementi non raccomandati dalla ditta produttrice. L'impiego di componenti o accessori non raccomandati potrebbe comportare il rischio di gravi lesioni.

**⚠ AVVERTENZE**

Per evitare il contatto con la lama, regolare sempre il gruppo guidalama in modo che allontani solo il pezzo in lavorazione. La mancata osservanza di questa norma potrà comportare gravi lesioni fisiche.





## Italiano (Traduzione dalle istruzioni originali)

### AVVERTENZE

Non utilizzare mai l'utensile senza che la protezione della lama sia fissata e le coperture anteriori bloccate. La mancata inosservanza, può causare gravi lesioni personali.

### FUNZIONAMENTO DI BASE DELLA SEGHA A NASTRO

Una sega a nastro è una macchina per "tagli curvi" che può essere utilizzata anche per eseguire tagli rettilinei, tra cui tagli trasversali, angolati, smussati, composti e ritagli. Quando si utilizza la sega a nastro per il taglio rettilineo, l'utente può installare una guida utilizzando un pezzo di dimensioni appropriate fissato al piano con morsetti a "C". La macchina non può eseguire tagli interni o non passanti. Prima di iniziare un taglio, osservare la corsa dell'utensile. Se si verificano eccessive vibrazioni o rumori anomali, interrompere immediatamente l'uso. Spegnerne il prodotto e scollegarlo dalla rete elettrica. Non riavviare fino a quando non sarà stato individuato e corretto il problema.

### PROCEDURE DI TAGLIO

- Sempre mantenga ferme la pieza de trabajo contra la mesa.
- Utilizzare una leggera pressione ed entrambe le mani mentre si fa avanzare il pezzo in lavorazione nella lama. Non forzare il lavoro; consentire alla lama di effettuare il taglio.
- Il cerchio di diametro più piccolo che può essere tagliato è determinato dalla larghezza della lama. Una lama con larghezza di 6,35 mm (1/4") taglierà un diametro minimo di 38 mm (1-1/2").
- Tenere le mani lontane dalla lama. Non tenere in mano pezzi di dimensioni troppo piccole che potrebbero schiacciare il dito tra il pezzo stesso e il paralama.
- Evitare operazioni scomode e posizioni delle mani in cui uno slittamento improvviso può causare ferite gravi dovute al contatto con la lama. Non mettere le mani nel percorso della lama.
- Utilizzare supporti aggiuntivi (tavole, cavalletti, blocchi, ecc.) durante il taglio di pezzi di dimensioni grandi, piccole o irregolari.
- Non utilizzare una persona in sostituzione di un piano prolunga o sostegno aggiuntivo per lavorare un pezzo più lungo o più largo rispetto alla base.
- Quando si tagliano pezzi di forma irregolare, posizionare il lavoro in modo da non toccare la lama. Ad esempio, un pezzo di stampaggio deve essere collocato in posizione piana. I pezzi non devono torcersi, oscillare o scivolare mentre vengono tagliati.

Durante il ritorno del pezzo, la lama potrebbe bloccarsi nel solco (taglio). Ciò si verifica solitamente a seguito

dell'intasamento del solco con la segatura o quando la lama esce dalle guide. Nel caso ciò dovesse verificarsi:

- Spegnerne il prodotto. Attendere fino a quando la sega si arresta completamente. Scollegare il prodotto dalla presa di corrente.
- Mantenere il solco aperto con un cacciavite piatto o un cuneo di legno.
- Aprire il coperchio anteriore e girare la ruota superiore con la mano durante il ritorno del pezzo.

### TAGLI DI RIFILA

I tagli di rifila sono eseguiti quando è necessario tagliare una curva complessa (con raggio troppo piccolo per la lama). Tagliare una sezione parziale del pezzo per curvare la linea modello, quindi far ritornare accuratamente indietro la lama. Diversi tagli di rifila devono essere effettuati per le curve complesse prima di seguire la linea del modello poiché le sezioni sono tagliate fuori la curva "alleggerendo" la pressione della lama.

### TAGLIO SAGOMATI

Per eseguire il taglio di scorrimento generico, seguire le linee del modello premendo e ruotando il pezzo allo stesso tempo. Non tentare di ruotare il pezzo mentre è bloccato nella lama senza spingerlo: il pezzo potrebbe bloccare o torcere la lama.

### RIMOZIONE DI MATERIALE INCEPPATO

Non rimuovere i pezzi di taglio inceppati fino a quando la lama non si è arrestata completamente.

- Spegnerne il prodotto. Attendere fino a quando la sega si arresta completamente.
- Scollegare il prodotto dalla rete elettrica prima di rimuovere il materiale inceppato.

### EVITARE INCIDENTI

- Assicurarsi che la lama sia allineata e non oscilli. La sega dovrebbe essere sempre collocata su una superficie piana e con spazio sufficiente per gestire e sostenere il pezzo in modo corretto.
- Serrare i dadi della sega alla superficie di appoggio per evitare scivolamenti e avanzamenti durante operazioni di taglio di pannelli lunghi o pesanti.
- Spegnerne l'utensile e scollegare il cavo dalla fonte di alimentazione prima di spostare la sega.
- Non rimuovere i pezzi di taglio inceppati fino a quando la lama non si è arrestata completamente.
- Utilizzare la lama delle dimensioni e dello stile corretto per il materiale e il tipo di taglio.
- Assicurarsi che i denti della lama siano puntati in basso verso il piano della sega, che le guide, i cuscinetti reggispira e la tensione della lama siano regolati correttamente, nonché che la manopola del





**Italiano (Traduzione dalle istruzioni originali)**

guidalama sia serrata e che non vi siano parti con gioco eccessivo.

- Per evitare il contatto accidentale con la lama, ridurre al minimo la rottura della lama e fornire il massimo supporto per la lama stessa, regolare sempre il guidalama per il solo pezzo in lavorazione.
- Utilizzare solo gli accessori raccomandati.
- Fatta eccezione per il pezzo e i dispositivi di supporto correlati, togliere qualsiasi oggetto dal piano prima di accendere l'utensile.
- Fornire adeguato supporto ai materiali rotondi come aste o tubi poiché tendono a rotolare durante il taglio causando un taglio netto. Per impedire che ciò accada, utilizzare sempre un blocco a "V" o serrare il pezzo al goniometro.
- Prima di rimuovere i pezzi sfusi dal piano, spegnere la sega e attendere che tutte le parti mobili si siano arrestate.

**ACCENDERE/SPEGNERE IL PRODOTTO.**

Vedere la figura 12.

- Premere il tasto "I" per accendere il prodotto.
- Premere il tasto "O" per spegnere il prodotto.

**PRIMA DI LASCIARE IL PRODOTTO**

Vedere la figura 12.

- Spegner il prodotto. Attendere fino a quando la sega si arresta completamente.
- Scollegare il prodotto dalla presa di corrente.
- Rendere l'officina sicura per i bambini.
- Rilasciare la tensione dalla lama utilizzando la leva di tensione della lama Rapidset™ per prolungarne la durata.
- Chiudere l'officina.

**ACCENSIONE/SPEGNIMENTO DELLA LUCE DA LAVORO**

Vedere la figura 13.

- Premere il tasto "☀" per accendere la luce da lavoro.
- Premere il tasto "O" per spegnere la luce da lavoro.

**INCLINAZIONE DEL PIANO**

Vedere la figura 14.

- Allentare leggermente la manopola di blocco del piano.
- Ruotare la manopola di regolazione dell'angolo, inclinando il piano fino a raggiungere l'angolazione desiderata.
- Utilizzando l'indicatore di scala, controllare le marcature angolari.

- Serrare nuovamente la manopola di blocco del piano per mantenere la sega saldamente in posizione.

**UTILIZZO DEL GONIOMETRO**

Figure dalla 15 alla 16.

Il goniometro deve essere impostato ad un massimo di 60° a destra o a sinistra.

- Allentare la manopola di blocco sul goniometro.
- Con il goniometro nella fessura del goniometro, ruotare il goniometro fino a raggiungere l'angolo desiderato sulla scala indice.
- Serrare nuovamente la manopola di blocco.

**UTILIZZO DELLA GUIDA PARALLELA**

La guida parallela viene utilizzata per tutte le operazioni di taglio orizzontale. Non eseguire tagli orizzontali a mano libera quando la guida parallela non è bloccata e fissata in posizione.

- Posizionare la guida parallela alla larghezza desiderata e bloccarla in posizione.
- Prima di iniziare le operazioni di taglio orizzontale, assicurarsi che la guida parallela sia parallela alla lama della sega. Quando si eseguono tagli orizzontali di pannelli larghi o lunghi, utilizzare sempre un supporto di lavoro.
- Tenere il pezzo contro la guida parallela e farlo avanzare attraverso la lama con una pressione costante.

**REGOLAZIONI**

**⚠ AVVERTENZE**

Prima di effettuare qualsiasi regolazione, assicurarsi che l'utensile sia scollegato dalla rete elettrica e l'interruttore sia in posizione off. La mancata osservanza di questo avvertimento potrà causare gravi lesioni alla persona.

**⚠ AVVERTENZE**

Per evitare lesioni personali, mantenere la corretta regolazione della tensione della lama, il puntamento della lama, i guidalama e i cuscinetti reggispinta.

**INSTALLAZIONE E REGOLAZIONE DELLA LAMA**

Vedere la figura 17.

- Allentare e rimuovere le vite ad alette, le rondelle e il dado a D dal piano.





## Italiano (Traduzione dalle istruzioni originali)

- Aprire i coperchi anteriori svitando la vite di blocco del coperchio.
- Ruotare la manopola di blocco in senso antiorario per sbloccare il gruppo guidalama. Ruotando la manopola del guidalama (in senso orario innalza il gruppo guidalama; in senso antiorario lo abbassa), posizionare il gruppo guidalama a circa metà strada tra il piano della sega e l'alloggiamento della sega. Serrare nuovamente la manopola di blocco.
- Aprire il coprilama tirando il lato sinistro della protezione lontano dalla ruota.
- Rilasciare tutta la tensione dalla lama.
- Rimuovere con cura la lama vecchia.
- Indossare guanti, maneggiare con cura la nuova lama all'altezza delle braccia. Se la nuova lama è stato oliata per prevenire la ruggine, potrebbe essere necessario pulirla per impedire che l'olio entri a contatto con il pezzo in lavorazione. Pulire con cura nella stessa direzione i denti rivolti in modo che il panno non si incastri sui denti della lama.

**NOTE:** Potrebbe essere necessario rovesciare la lama se i denti sono rivolti nella direzione sbagliata. Tenere la lama con entrambe le mani e ruotarla verso l'interno.

- Con i denti della lama verso la parte sinistra della sega e rivolti verso il basso, posizionare la lama attraverso i guidalama inferiori e intorno entrambe le ruote.
- Ruotare lentamente la ruota superiore verso destra o manualmente in senso orario per centrare la lama sulle gomme.
- Fissare nuovamente la leva di tensione della lama RapidSet™ quindi regolare la tensione della lama; controllare o regolare il puntamento della lama.
- Regolare entrambi i guidalama superiore ed inferiore e i cuscinetti di spinta, come spiegato più avanti nel presente manuale dell'operatore.
- Rimontare la vite ad alette, le rondelle il dado a D. Serrare in modo sicuro.
- Chiudere il paralama e il coperchio anteriore. Serrare la vite di blocco del coperchio.

### REGOLAZIONE DEL GRUPPO GUIDALAMA

*Figure dalla 18 alla 19.*

Per impedire che la lama possa torcersi o rompersi, il gruppo guidalama deve sempre essere impostato circa 3,2 mm (1/8") sopra il pezzo.

- Ruotare la manopola di blocco in senso antiorario per sbloccare il gruppo guidalama.
- Come guida, utilizzare un pezzo di scarto dello stesso legno che si sta per tagliare per impostare l'altezza del gruppo guidalama. Regolare il gruppo guidalama ruotando la manopola del guidalama.

- Bloccare il gruppo guidalama in posizione ruotando la manopola di blocco in senso orario.
- Bloccare sempre il gruppo guidalama in posizione prima di accendere la sega a nastro.

### REGOLAZIONE DEL GRUPPO GUIDALAMA E DEI CUSCINETTI REGGIPINTA

*Figure dalla 20 alla 21.*

**NOTE:** Stringere la manopola di blocco e fare riferimento alle procedure illustrate in "Regolazione della tensione della lama" e "Puntamento" nella sezione ASSEMBLAGGIO del manuale prima di effettuare le regolazioni per l'uso.

I cuscinetti reggispinta superiori e inferiori forniscono supporto mentre i cuscinetti guidano la lama durante le operazioni di taglio. La regolazione dei cuscinetti e delle guide deve essere verificata quando si installa una lama diversa.

#### Per regolare i cuscinetti reggispinta:

I cuscinetti reggispinta supportano il bordo posteriore della lama durante il taglio. La lama non deve entrare a contatto con i cuscinetti reggispinta quando si arrestano le operazioni di taglio. È importante che entrambi i cuscinetti reggispinta superiori ed inferiori siano regolati in modo uniforme.

- Aprire i coperchi anteriori e il paralama.
- Usando una chiave esagonale, allentare le viti del cuscinetto reggispinta superiore e inferiore sulla parte posteriore della sega.
- Verificare che la lama sia puntata correttamente, quindi far scorrere il cuscinetto reggispinta in avanti fino a quando il cuscinetto è a 0,4 mm (1/64") dalla lama. Serrare la vite del cuscinetto reggispinta.
- Far scorrere il cuscinetto inferiore in avanti fino a quando ha spazio adeguato. Serrare la vite del cuscinetto reggispinta.

#### Per regolare il supporto del guidalama:

- Allentare le viti di supporto del guidalama e le viti di impostazione del guidalama con chiavi esagonali.
- Far scorrere il supporto del guidalama superiore sull'albero finché il bordo anteriore delle guide tocca la lama dietro la gola. Serrare la vite.
- Spingere la guida destra finché tocca la lama e rilasciare. Ruotare lentamente la ruota fino ad eseguire una rotazione completa. Serrare le viti di fissaggio del guidalama.
- Regolare la guida sinistra per lasciare un gioco di 0,4 mm (1/64") tra la lama e la guida (circa lo spessore di una carta da gioco) inserendo una scheda da gioco tra la guida sinistra e la lama.





**Italiano (Traduzione dalle istruzioni originali)**

- Applicare una pressione al perno della guida sinistra per mantenere la carta da gioco in posizione. Serrare la vite di fissaggio e rimuovere la carta da gioco.
- Completare manualmente tre giri per assicurarsi che lama non si blocchi.
- Chiudere il paralama e il coperchio anteriore. Bloccare con la vite.

Ripetere questa procedura per il supporto del guidalama inferiore.

**REGOLAZIONE DELLA GUIDA PARALLELA**

- Allentare la maniglia di blocco ruotandola in senso antiorario.
- Spostare la guida parallela nella posizione desiderata.
- Spingere verso il basso la maniglia di blocco per bloccare la posizione della guida parallela.
- Ruotare la maniglia di blocco per regolare la tenuta dei morsetti.

**MANUTENZIONE**

**⚠ AVVERTENZE**  
Quando si svolgono operazioni di manutenzione, utilizzare solo ricambi identici. Utilizzare parti di ricambio diverse potrebbe causare rischi o danneggiare il prodotto.

**⚠ AVVERTENZE**  
Indossare sempre protezioni per gli occhi durante il funzionamento del prodotto. Nel caso in cui si preveda che le operazioni di lavoro causeranno polvere, indossare sempre una maschera anti-polvere.

**⚠ AVVERTENZE**  
Prima di effettuare qualsiasi operazione di manutenzione, assicurarsi che l'utensile sia scollegato dalla rete elettrica e l'interruttore sia in posizione off. La mancata osservanza di questo avvertimento potrà causare gravi lesioni alla persona.

**MANUTENZIONE GENERALE**

Evitare di utilizzare solventi quando si puliscono le parti in plastica. La maggior parte dei materiali plastici è soggetta a danni di vario tipo da solventi commerciali e può essere danneggiata dal contatto con gli stessi. Utilizzare un panno pulito per rimuovere tracce di sporco, polvere, olio, grasso, ecc.

**⚠ AVVERTENZE**

Non lasciare che liquidi per freni, benzina, prodotti a base di petrolio, oli penetranti, ecc, entrino in contatto con le parti in plastica. Le sostanze chimiche potranno danneggiare, indebolire o distruggere la plastica, il che potrà risultare in gravi lesioni personali.

- Tenere pulito il prodotto.
- Rimuovere frequentemente la segatura dalle parti interne.
- Non lasciare che la pece si accumuli sul banco, i guidalama o i cuscinetti reggispinta. Pulirli con gomma e un prodotto per rimuovere la pece.
- Applicare uno strato sottile di cera di tipo automobilistico sulla parte superiore del piano per consentire al legno di scivolare agevolmente durante le operazioni di taglio.

**Lubrificazione**

Tutti i cuscinetti di questo utensile sono stati lubrificati con una quantità sufficiente di lubrificante di alta qualità per garantire l'ottimo funzionamento dell'utensile. Di conseguenza, non è necessario effettuare alcuna lubrificazione supplementare.

**GOMME**

**Pulizia delle gomme:**

- Pece e segatura si accumulano sulle gomme e pertanto devono essere rimossi con una spazzola metallica fine o un pezzo di legno. **Non utilizzare un coltello affilato o qualsiasi tipo di solvente.**

**Sostituzione delle gomme:**

- Aprire il coperchio anteriore e rimuovere la lama. Vedere Installazione e regolazione della lama.
- Fare leva sulla gomma per estrarla dalla ruota con attenzione.
- Allungare la nuova gomma intorno alla ruota:
- Sostituire la lama e chiudere il coperchio anteriore.

**SPAZZOLA**

*Vedere la figura 22.*

All'interno dell'alloggiamento della lama, vicino alla ruota, è presente una spazzola. Contribuisce a proteggere la gomma e la ruota rimuovendo la segatura. Sostituire o regolare la spazzola usurata.

- Rimuovere la vite e la rondella, quindi spingere la spazzola.
- Posizionare la nuova spazzola nella scanalatura.
- Reinstallare utilizzando la rondella e la vite.



# Italiano (Traduzione dalle istruzioni originali)

## TRASPORTO E RIPONIMENTO

Figure dalla 23 alla 24.

- Durante il trasporto della macchina, scollegare il cavo di alimentazione, abbassare la lama e smontare la macchina. Conservare lo spingipezzo sul lato del coperchio superiore. Sollevare il prodotto dal coperchio superiore come illustrato. Riporre il prodotto in un luogo sicuro non accessibile ai bambini.
- Pulire il prodotto con una spazzola e un aspirapolvere prima di riporlo.

## TUTELA DELL'AMBIENTE



Riciclare le materie prime anziché gettarle tra i rifiuti domestici. Per tutelare l'ambiente, l'apparecchio, gli accessori e gli imballaggi devono essere smaltiti separatamente.

## SIMBOLO



Indicazioni sicurezza



Conformità CE



Leggere attentamente le istruzioni prima di utilizzare il prodotto.



Indossare occhiali di protezione



Indossare cuffie di protezione



PERICOLO! Lama affilata.



Blocco



Sblocco



Profondità di taglio massima



Lunghezza di taglio massima



Angolo di taglio massimo



Velocità di funzionamento



Dimensione della lama



Scollegare l'apparecchiatura dall'alimentazione elettrica prima di eseguire la manutenzione.



I prodotti elettrici non devono essere smaltiti con i rifiuti domestici. Vi sono strutture per smaltire tali prodotti. Informarsi presso il proprio Comune o rivenditore di sicurezza per smaltire adeguatamente tali rifiuti.





## Italiano (Traduzione dalle istruzioni originali)

### RISOLUZIONE DEI PROBLEMI

Problema	Posible causa	Solución
Il motore non funziona	<ol style="list-style-type: none"> <li>1. Problema con l'interruttore ON/OFF o il cavo di alimentazione.</li> <li>2. Motore difettoso.</li> <li>3. Lama bloccata.</li> </ol>	<ol style="list-style-type: none"> <li>1. Sostituire le parti usurate prima di utilizzare nuovamente il prodotto.</li> <li>2. Non tentare di eseguire riparazioni. Far riparare l'utensile da personale qualificato.</li> <li>3. Rimuovere il materiale inceppato.</li> </ol>
La lama non è collocata nel centro approssimativo della ruota superiore.	<ol style="list-style-type: none"> <li>1. Errato puntamento.</li> </ol>	<ol style="list-style-type: none"> <li>1. Per regolare il puntamento, vedere la sezione REGOLAZIONI, "Puntamento della lama".</li> <li>2. In caso di danni, far riparare immediatamente da un centro servizi autorizzato.</li> </ol>
La lama rallenta durante il taglio.	<ol style="list-style-type: none"> <li>1. Taglio con raggio troppo piccolo.</li> <li>2. Lama danneggiata.</li> </ol>	<ol style="list-style-type: none"> <li>1. Interrompere l'avanzamento e il ritorno del materiale da taglio quando la sega a nastro aumenta la velocità.</li> <li>2. Sostituire la lama.</li> </ol>
Rottura della lama.	<ol style="list-style-type: none"> <li>1. Tensione della lama eccessiva.</li> <li>2. Il piegamento della lama è causato da tagli con raggio troppo ridotto o rotazioni del pezzo troppo rapide durante il taglio.</li> <li>3. Cuscinetti reggispinta segnati o non rotanti.</li> </ol>	<ol style="list-style-type: none"> <li>1. Regolare la tensione. Vedere la sezione REGOLAZIONE, "Regolazione della tensione della lama".</li> <li>2. Utilizzare la tecnica di taglio corretta. Vedere la sezione Funzionamento.</li> <li>3. Sostituire i cuscinetti reggispinta.</li> </ol>
il prodotto emette rumore eccessivo durante la corsa.	<ol style="list-style-type: none"> <li>1. Tensione della lama eccessiva.</li> <li>2. I guidalama e i cuscinetti entrano a contatto con la lama.</li> </ol>	<ol style="list-style-type: none"> <li>1. Regolare la tensione. Vedere la sezione REGOLAZIONE, "Regolazione della tensione della lama".</li> <li>2. Regolare il guidalama superiore e inferiore e i cuscinetti. Vedere la sezione REGOLAZIONI, "Regolazione dei cuscinetti e del supporto del guidalama".</li> </ol>
La lama non esegue tagli dritti.	<ol style="list-style-type: none"> <li>1. I guidalama e i cuscinetti non sono regolati correttamente.</li> <li>2. Lama usurata o difettosa.</li> </ol>	<ol style="list-style-type: none"> <li>1. Regolare il guidalama superiore e inferiore e i cuscinetti. Vedere la sezione REGOLAZIONI, "Regolazione dei cuscinetti e del supporto del guidalama".</li> <li>2. Sostituire la lama.</li> </ol>
I guidalama non sono in posizione.	<ol style="list-style-type: none"> <li>1. Le viti del guidalama sono allentate.</li> </ol>	<ol style="list-style-type: none"> <li>1. Serrare saldamente le viti di fissaggio del guidalama.</li> </ol>
Il motore funziona ma le lame non si avviano	<ol style="list-style-type: none"> <li>1. La tensione non è impostata correttamente.</li> <li>2. Cinghia rotta.</li> </ol>	<ol style="list-style-type: none"> <li>1. Utilizzare la leva di tensione della lama per impostare la tensione.</li> <li>2. In caso di danni, far riparare immediatamente da un centro servizi autorizzato.</li> </ol>





## Nederlands (Vertaling van de originele instructies)

### BESCHRIJVING

- |   |                               |
|---|-------------------------------|
| 1. Verstelknop voor de spanning van de zaag     | 53. Vergrendeling             |
| 2. Borgschroeven van de kap                     | 54. Druklager                 |
| 3. Volgvenster                                  | 55. Druklagerschroef          |
| 4. Werkklamp                                    | 56. Steunschroef zaaggeleider |
| 5. Zaagbladbeschermer                           | 57. Bovensteun zaaggeleider   |
| 6. Zaagblad                                     | 58. Zaaggeleider              |
| 7. Verstekmaat                                  | 59. Stelschroef zaaggeleider  |
| 8. Stofafvoerpoort                              | 60. Schroef zaaggeleider      |
| 9. Schaalindicator                              | 61. Ondersteun zaaggeleider   |
| 10. Hoekverstelknop                             | 62. Borstel                   |
| 11. Schaalverdeling                             | 63. Sluistring                |
| 12. Vergrendelingshendel voor de tafel          | 64. Schroeven                 |
| 13. Vergrendelknop                              | 65. Band                      |
| 14. Stelknop voor de zaaggeleider               |                               |
| 15. Verstelhendel voor de spanning van de zaag  |                               |
| 16. Bekplaat                                    |                               |
| 17. Spoorknop                                   |                               |
| 18. Aan-/uitschakelaar                          |                               |
| 19. Zaagtafel                                   |                               |
| 20. Onderpaneel voorzijde                       |                               |
| 21. Bovenpaneel voorzijde                       |                               |
| 22. Schulpzaagkap                               |                               |
| 23. Werkklampschakelaar                         |                               |
| 24. Duwstok                                     |                               |
| 25. Phillips-schroevendraaier (niet inbegrepen) |                               |
| 26. Afstelbare sleutel (niet inbegrepen)        |                               |
| 27. Kleine combinatiehaak (niet inbegrepen)     |                               |
| 28. Inbussleutel , 3 mm                         |                               |
| 29. Inbussleutel , 4 mm                         |                               |
| 30. Inbussleutel , 5 mm                         |                               |
| 31. Sluistring                                  |                               |
| 32. Dopmoeren                                   |                               |
| 33. Slutringen                                  |                               |
| 34. Voetjes                                     |                               |
| 35. Grendelbouten                               |                               |
| 36. Zeskantmoeren                               |                               |
| 37. Verlengstuk                                 |                               |
| 38. Gaten in zaagonderstel                      |                               |
| 39. D-moer                                      |                               |
| 40. Vleugelschroef                              |                               |
| 41. Zaagtafelbeugel                             |                               |
| 42. Zaaggeleidersamenstel                       |                               |
| 43. Stelbout                                    |                               |
| 44. Om de spanning te verlagen                  |                               |
| 45. Om de spanning te verhogen                  |                               |
| 46. Vergrendelknop                              |                               |
| 47. Verstekmaatsleuf                            |                               |
| 48. Phillips-schroeven                          |                               |
| 49. Bovenwiel                                   |                               |
| 50. Geleidingen onderzaag                       |                               |
| 51. Onderste wiel                               |                               |
| 52. Ontgrendeling                               |                               |





## Nederlands (Vertaling van de originele instructies)

Bij het ontwerp van uw lintzaagmachine hebben veiligheid, prestaties en betrouwbaarheid de hoogste prioriteit gekregen.

### BEOOGD GEBRUIK

De lintzaag is bedoeld voor het zagen in een rechte lijn, figuurzagen en cirkelzagen van hout en houtproducten.

Het product is bedoeld voor gebruik door volwassenen die de handleiding hebben gelezen en de risico's en gevaren begrijpen.

De zaag moet in droge omstandigheden worden gebruikt, in een goed verlichte omgeving en met voldoende verluchting.

Het product is bedoeld voor doe-het-zelf gebruik en mag uitsluitend zoals hierboven beschreven en dus niet voor andere doeleinden worden gebruikt.

### ALGEMENE VEILIGHEIDSWAARSCHUWINGEN

#### WAARSCHUWING

Wanneer u elektrisch gereedschap gebruikt, moeten de basisveiligheidsvoorzieningen altijd worden gevolgd om het risico op brand, elektrische schokken en letsels te verminderen. Lees alle instructies voor u probeert het product te gebruiken en bewaar deze instructies.

- **Houd het werkgebied schoon.** Rommelige ruimtes en werkbanken kunnen tot ongevallen leiden.
- **Houd rekening met het werkgebied.** Stel het gereedschap niet bloot aan regen. Gebruik het gereedschap niet in vochtige of natte plaatsen. Houd de werkplaats goed verlicht. Gebruik het gereedschap niet in de aanwezigheid van ontvlambare stoffen of gassen.
- **Bescherming tegen elektrische schokken.** Vermijd lichaamscontact met geaarde oppervlakken (b.v. buizen, radiatoren, kookfornuizen, koelkasten).
- **Houd andere personen weg.** Betrek geen andere personen, in het bijzonder kinderen, bij het werk, laat hen de machine of het verlengsnoer niet aanraken en houd hen weg van het werkgebied.
- **Berg niet-gebruikte werktuigen op.** Wanneer u het gereedschap niet gebruikt, moeten deze op een droge, afgesloten plaats worden bewaard, buiten het bereik van kinderen.
- **Forceer de machine niet.** Het zal de taak beter en veiliger uitvoeren aan het tempo waarvoor het werd ontworpen.
- **Controleer het juiste gereedschap.** Forceer licht gereedschap niet om taken van zwaar gereedschap

uit te voeren. Gebruik het gereedschap niet voor doeleinden waarvoor het niet is bedoeld; gebruik bijvoorbeeld geen cirkelzaagmachines om boomtakken of houtblokken te zagen.

- **Draag aangepaste kleding.** Draag geen loszittende kledij of juwelen, zij kunnen in de bewegende delen vaststraken. Antislipschoenen zijn aangewezen voor werk buitenhuis. Draag haarbescherming om lang haar samen te houden.
- **Gebruik beschermuitrusting.** Gebruik een veiligheidsbril. Gebruik een gezichts- of stofmasker als de werkomstandigheden stof veroorzaken.
- **Verbind de stofafzuiginstallatie.** Als gereedschap van stofafzuiging- en opvanginstallatie is voorzien, zorg er dan voor dat deze zijn verbonden en goed worden gebruikt.
- **Misbruik het snoer niet.** Trek nooit aan het snoer om het uit de contactdoos te trekken. Houd het snoer weg van hitte, olie en scherpe randen.
- **Maak het werkstuk vast.** Gebruik klemmen of een bankschroef om het werkstuk vast te houden. Het is veiliger dan uw hand te gebruiken.
- **Overrek u niet.** Houd steeds een goed evenwicht en sta stevig met beide voeten op de grond.
- **Onthoud de werktuigen met zorg.** Houd snijgereedschap scherp en schoon voor betere en veiligere prestaties. Volg de instructies voor het smeren en vervangen van accessoires. Inspecteer regelmatig de gereedschapsnoeren en laat deze, indien beschadigd, door een geautoriseerde onderhoudsdienst repareren. Inspecteer de verlengsnoeren regelmatig en vervang deze indien beschadigd. Houd de handvatten droog, schoon en vrij van olie en vet.
- **Ontkoppel de werktuigen.** Ontkoppel het gereedschap van het stroomnet wanneer u accessoires, zoals maai blades, boorstiften en snijders niet gebruikt, onderhoud of vervangt.
- **Verwijder sleutels.** Maak er een gewoonte van om te controleren of sleutels van het gereedschap zijn voor u het inschakelt.
- **Vermijd ongewild starten.** Zorg ervoor dat de schakelaar in de uit-stand (off) staat wanneer u het met het stroomnet verbindt.
- **Verlengsnoeren voor buitenshuis gebruik.** Wanneer het gereedschap buitenshuis wordt gebruikt, gebruikt dan uitsluitend verlengsnoeren die geschikt en gemarkeerd zijn voor buitenshuis gebruik.
- **Blijf alert.** Kijk naar wat u doet, gebruik uw gezond verstand en gebruik het werktuig niet wanneer u moe bent.
- **Controleer beschadigde onderdelen.** Voor u het werktuig verder gebruikt, moet u grondig controleren





## Nederlands (Vertaling van de originele instructies)

om te zien dat het goed zal functioneren en volgens het voorgeschreven gebruik zal werken. Controleer de lijning van de bewegende delen, controleer of bewegende delen niet verstrikt zijn geraakt, controleer of defecte onderdelen, bevestigingsbeugels of andere delen die de werking in gevaar kunnen brengen. Ieder onderdeel dat is beschadigd, moet correct worden gerepareerd of vervangen door een geautoriseerd onderhoudscentrum, tenzij in de gebruiksaanwijzing anders is vermeld. Laat defecte schakelaars door een geautoriseerd onderhoudscentrum vervangen. Gebruik het gereedschap niet als de aan-/uitschakelaar het gereedschap niet aan of uit schakelt.

- **Waarschuwing.** Het gebruik van een andere accessoire of hulpstuk dan in deze handleiding beschreven, kan risico inhouden voor persoonlijk letsel.
- **Laat uw gereedschap door een gekwalificeerd persoon repareren.** Deze elektrische machine is gefabriceerd volgens de geldende veiligheidsregels. Laat reparaties alleen door een gekwalificeerd persoon met originele vervangonderdelen uitvoeren. Anders kan dit leiden tot aanzienlijk gevaar voor de gebruiker.

### VEILIGHEIDSWAARSCHUWINGEN VOOR DE LINTZAAGMACHINE

- **Klem of schroef de zaag stevig op een werkbank of steun, ongeveer op heuphoogte.**
- **Gebruik het product nooit op de vloer.**
- **Vermijd vreemde handelingen en handposities waar u plots kunt wegglijden, waardoor uw hand in het zaagblad kan terechtkomen.** Zorg er altijd voor dat u een goed evenwicht heeft.
- **Laat de motor volledig op snelheid komen voordat u begint te zagen, om vastlopen of stilvallen te voorkomen.**
- **Gebruik het werktuig niet als de schakelaar het niet in- of uitschakelt.** Laat defecte schakelaars door een geautoriseerd onderhoudscentrum vervangen.
- **Vervangonderdelen.** Alle reparaties, zowel elektrisch als mechanisch, moeten worden uitgevoerd door een gekwalificeerde onderhoudsmonteur, bij een erkend servicecentrum.
- **Gebruik voor vervanging uitsluitend originele reserveonderdelen.** Gebruik van niet originele onderdelen kan gevaar opleveren of schade aan de machine veroorzaken.
- **Houd uw handen weg van het zaaggebied.** Hou geen stukken hout vast die zo klein zijn dat uw vingers onder de beschermkap gaan. Reik onder geen beding met uw handen en vingers niet onder het werkstuk of in het zaagpad van het zaagblad.

- **Zaag nooit meer dan een stuk per keer of stapel nooit meer dan een werkstuk per keer op de zaagtafel.**
- **Voer het materiaal niet te snel in.** Duw nooit het werkstuk tegen de zaag.
- **Gebruik uitsluitend de juiste zaagbladen.** Gebruik de zaag met de juiste maat en de juiste stijl voor het materiaal en het type snede. De zaagtanden moeten richting de tafel wijzen.
- **Geef altijd ondersteuning aan grote werkstukken bij het zagen om het risico van afknijping van de zaag en terugslag te voorkomen.** Bij het zagen van grote of zware planken kan de zaag wegglijden, gaan lopen of schuiven.
- **Verwijder vastgelopen losgezaagde stukken pas als de zaag is gestopt.**
- **Gebruik geen beschadigde of vervormde zaaglinten.**
- **Vervang een versleten tafelement.**
- **Verbind de zaagmachine met een stofafzuigstelsel wanneer u het in de zaagmodus gebruikt.**
- **Gebruik het product niet als de beschermkap die het zaaglint beschermt openstaat.**
- **Kies het zaaglint en de snelheid afhankelijk van het te zagen materiaal.**
- **Reinig het zaaglint nooit als het in beweging is.**
- **Draag handschoenen bij het hanteren van het zaaglint en ruw materiaal.**
- **Gebruik een duwstok wanneer u kleine werkstukken recht zaagt met behulp van de schulpzaagkap.**
- **Transporteer het product met de lintbeschermkap volledig naar beneden en dicht bij de tafel.**
- **Plaats de schulpzaagkap op de lager gelegen zijden van de tafel wanneer u schuin snijdt met een hellende tafel.**
- **Gebruik een geschikt vasthoudmiddel wanneer u rond of onregelmatig gevormd hout snijdt, om verdraaiing van het werkstuk te voorkomen.**
- **Gebruik geen beschermingselementen voor hantering en transport**
- **Plaats de verstelbare beschermkap zo dicht mogelijk bij het werkstuk.**
- **Raak het zaagblad of een ander bewegend onderdeel nooit aan tijdens het gebruik.**
- **Voordat u de opstelling wijzigt en kappen, beveiligingselementen of zagen verwijdert, moet u eerst de zaag uit het stopcontact halen.**
- **Houd het werkstuk altijd stevig tegen de tafel gedrukt.**





## Nederlands (Vertaling van de originele instructies)

- **Om onbedoeld contact met de zaag te voorkomen, moet breken van de zaag worden voorkomen en moet maximale zaagondersteuning worden geboden.** Stel de zaaggeleiding altijd af tot net boven het werkstuk.
- **Houd de zaagbladen schoon, scherp en in voldoende aantal.** Scherpe zaagbladen verminderen de kans op stilvallen en terugslag.
- **Schakel de zaagmachine uit voor u ze ontkoppelt om ongewild starten te voorkomen wanneer u de stroomtoevoer opnieuw verbindt.**
- **Zorg ervoor dat de werkplaats goed verlicht is zodat u het werk ziet en dat er geen hindernissen het veilig gebruik hinderen voor u met de zaag begint te werken.**
- **De zaaggeleiders zijn vooraf in de fabriek ingesteld.** Deze instellingen zijn functioneel voor sommige toepassingen. We raden u aan om de zaaggeleidingsinstellingen voor het eerste gebruik van uw zaag te controleren en te verstellen. Raadpleeg de procedures "Verstellen van de druklagers en de zaaggeleiding" die zijn uitgelegd in het hoofdstuk AANPASSINGEN van deze gebruiksaanwijzing.
- **Gebruik het gereedschap niet om metaal te zagen.**
- **Dit werktuig moet van de volgende markeringen zijn voorzien:**
  - Draag gezichtsbescherming
  - Houd uw handen weg van het zaagblad.
  - Verwijder vastgelopen of losgezaagde stukken pas als de zaag is gestopt.
  - Zorg ervoor dat de zaag wordt geplaatst met de tanden naar beneden gericht.
  - Handhaaf een goede afstelling van de zaagspanning, zaaggeleiders en druklagers.
  - Stel de bovenste geleider af tot net boven het werkstuk.
  - Houd het werkstuk tijdens het zagen stevig tegen de tafel gedrukt.
- **Als het stroom snoer beschadigd is, mag deze uitsluitend worden vervangen door de fabrikant of door een geautoriseerd onderhoudscentrum om risico te voorkomen.**
- **Bewaar deze instructies.** Raadpleeg ze regelmatig en gebruik dit om anderen te instrueren. Als u dit werktuig aan iemand uitleent, leen hem dan deze instructies ook uit.

### ELEKTRISCH

#### VERLENGSNOEREN

Gebruik uitsluitend 3-aderige verlengsnoeren met een 3-polige geaarde stekker en 3-polige contactdozen die

het stopcontact van het product aanvaarden. Wanneer u gereedschap gebruikt dat zich op afzienbare afstand van de stroombron bevindt, gebruik dan een verlengsnoer dat zwaar genoeg is om de stroom die het product zal afnemen, te dragen. Een te licht verlengsnoer zal een terugval in de lijnspanning veroorzaken, wat zal leiden tot vermogensverlies, waardoor de motor zal oververhitten.

Voordat u een verlengsnoer gebruikt moet u het controleren op losse of blootliggende draden en kapotte of versleten isolatie.

#### WAARSCHUWING

Houd het verlengsnoer weg van de werkplaats. Plaats het snoer zodanig dat het niet kan vastraken aan hout, werktuigen of andere obstructies wanneer u met een elektrisch werktuig werkt. Niet-naleving van dit voorschrift kan ernstig lichamelijk letsel veroorzaken.

#### WAARSCHUWING

Controleer verlengsnoeren voor elk gebruik. Vervang onmiddellijk indien beschadigd. Gebruik nooit een werktuig met een beschadigd snoer, aangezien het aanraken van het beschadigde deel kan leiden tot een elektrische schok, wat ernstige letsels kan veroorzaken.

#### ELEKTRISCHE VERBINDING

Dit product wordt aangedreven door een precisie gebouwde elektrische motor. Het moet worden verbonden met een stroomtoevoer van 220~240V, uitsluitend AC (normale huishoudstroom), 50 Hz. Gebruik dit product niet op gelijkstroom (DC). Een belangrijke spanningsval zal leiden tot vermogensverlies en de motor zal oververhitten. Als het product niet werkt wanneer het met een wandcontactdoos is verbonden, controleert u de stroomvoorziening opnieuw.

#### SNELHEID EN BEKABELING

De onbelaste snelheid van dit product is ongeveer 11 m/s. Deze snelheid is niet constant en vermindert onder een lading of bij lagere spanning. Voor spanning is de bedrading op een werkplaats net zo belangrijke als het nominale ingangsvermogen van de motor. Een snoer dat uitsluitend geschikt is voor lampen kan onmogelijk de motor van elektrisch gereedschap dragen. Een snoer dat zwaar genoeg is voor een korte afstand zal te licht zijn voor een grote afstand. Een snoer dat één gereedschapswerktuig kan ondersteunen is misschien niet in staat om twee of drie gereedschapswerktuigen te ondersteunen.





## Nederlands (Vertaling van de originele instructies)

### AARDINGSINSTRUCTIES

Dit product moet worden geaard. Als er zich een defect of panne voordoet, dan zorgt de aarding ervoor dat er minder weerstand is voor de elektrische stroom, waardoor het risico op een elektrische schok vermindert. Dit product is uitgerust met een elektrisch snoer dat voorzien is van een massakabel voor apparaten en een aardstekker. De stekker moet met een overeenkomstige wandcontactdoos worden verbonden die correct is geïnstalleerd en geaard in overeenstemming met de plaatselijke voorschriften en regels.

Breng geen wijzigingen aan de meegeleverde stekker aan. Als deze niet in de wandcontactdoos past, laat dan de correcte wandcontactdoos door een gekwalificeerde elektrotechnicus installeren. Herstel of vervang een beschadigd of versleten snoer onmiddellijk.

### RESTRISICO'S

Zelfs wanneer het product zoals voorgeschreven wordt gebruikt, blijft het onmogelijk om alle restrisico's te voorkomen. De volgende gevaren kunnen optreden bij gebruik en de gebruiker dient speciaal op te letten om het volgende te voorkomen:

- Terugslag van werkstukken en onderdelen van werkstukken door foutieve afstellingen of foutief manipuleren.
- Schade aan de luchtwegen.

#### OPMERKING:

Draag ademhalingsbeschermingsmaskers met filters die aangepast zijn aan het materiaal waarmee wordt gewerkt. Zorg voor voldoende ventilatie op de werkplaats. Eten, drinken of roken verboden in het werkgebied.

- Gehoorschade bij het niet dragen van een efficiënte gehoorbescherming.

### KEN UW PRODUCT

Zie afbeelding 1.

Het veilig gebruik van het product vereist dat u de informatie op het product en in deze gebruiksaanwijzing begrijpt en kennis heeft over het project dat u probeert uit te voeren. Maak uzelf, voordat u dit apparaat gaat gebruiken, eerst vertrouwd met alle functies en specifieke kenmerken wat betreft de veiligheid.

### HOEKVERSTELKNOP

Kantelt de zaagtafel voor verstekzagen.

### ZAAGBLADBESCHERMER

Beschermt de gebruiker tegen contact met de zaag.

### STELKNOP VOOR DE ZAAGGELEIDER

Gebruik de verstelknop voor de geleiding van de zaag om de zaaggeleider op en neer te verplaatsen en om de zaag te beschermen tegen draaien of breuk. Vergrendel de zaaggeleider altijd op zijn plaats voordat u de lintzaag aanzet.

### ZAAGGELEIDERS

De bovenste en onderste zaaggeleiders zorgen ervoor dat de zaag tijdens het gebruik niet draaien.

### STOFAFVOERPOORT

Een stofafvoerpoort van 53 mm (2-1/8") maakt stofvrij zagen mogelijk. Bevestig een stofzak (niet meegeleverd) of een werkplaatsafvoer op de stofafvoerpoort.

### BORGSCHEEVEN VAN DE KAP

Zorgt ervoor dat het voorpaneel kan worden geopend voor het maken van aanpassingen.

### VERSTEKMAAT

Deze maat lijnt het hout uit voor een dwarsnede. De eenvoudig te lezen indicator geeft de exacte hoek aan voor een versteksnede bij 15°, 30°, 45° en 60°.

### RAPIDSET™-HENDEL VOOR DE SPANNING VAN DE ZAAG

Regel de spanning van de zaag bij het verwisselen van de zaagjes en het maken van aanpassingen voor diverse zaagtoepassingen.

### ZAAGBLAD

De zaag wordt geleverd met een standaard zaagje van 6,35 mm (1/4").

### ZAAGTAFEL MET BEKPLAAT

Uw lintzaag heeft een zaagtafel met kantelregeling. De bekplaat die bij de fabriek in de zaagtafel geïnstalleerd kan worden, zorgt voor vrije ruimte van de zaag.

### SCHAAL EN SCHAALAANDUIDING

De schaal en schaal aanduiding tonen de hoek of het aantal graden waarmee de tafel kan worden gekanteld voor verstekzagen.

### VERGRENDELINGSHENDEL VOOR DE TAFEL

Het losmaken van de tafelvegrendeling zorgt ervoor dat de zaagtafel bij verschillende hoeken kan worden gekanteld. Het aanhalen van de tafelvegrendeling zet de tafel vast op zijn plek.



## Nederlands (Vertaling van de originele instructies)

### SPOORKNOP

Stelt de sporing bij om de zaag op de wielen gecentreerd te houden.

### VOLGVENSTER

Het volgenster maakt het eenvoudiger om de aanpassingen te volgen.

### DUWSTOK

Gebruik altijd de duwstok om het werkstuk door te voeren, totdat het los is van de tafel.

### LOSSE ONDERDELENLIJST

Beschrijving	Aantal
Sluitringen	7
Vergrendelingshendel voor de tafel	1
Inbussleutel , 3 mm	1
Inbussleutel , 4 mm	1
Inbussleutel , 5 mm	1
Verstekmaat	1
Dopmoeren	4
Voetjes	4
Zaagtafel	1
Grendelbouten	2
Zeskantmoeren	2
Verlengsteun	1
Schulpzaagkap	1
Duwstok	1
Gebruikershandleiding	1

### MONTAGE

#### UITPAKKEN

Dit product moet worden gemonteerd.

- Til het product voorzichtig uit de doos en plaats het op een vlak werkoppervlak.

### ⚠ WAARSCHUWING

Gebruik dit product niet als er onderdelen op de onderdelenlijst staan die al zijn gemonteerd wanneer u het product voor het eerst uitpakt. Onderdelen op deze lijst zijn niet door de fabrikant aan het product gemonteerd en vereisen installatie van de klant. Het gebruik van een product die niet goed is gemonteerd kan leiden tot ernstig persoonlijk letsel.

- Inspecteer het gereedschap zorgvuldig om ervoor te zorgen dat er niets breekt of beschadigt tijdens het transport. **OPMERKING:** Deze zaag is verzonden zonder zaagspanning. Zet deze zaag niet aan totdat de spanning van de zaag goed is ingesteld.
- Gooi het verpakkingsmateriaal niet weg totdat u het gereedschap zorgvuldig en naar volle tevredenheid hebt geïnspecteerd.
- Als er onderdelen zijn beschadigd of ontbreken moet u uw servicecentrum bellen voor hulp.

### ⚠ WAARSCHUWING

Als er onderdelen zijn beschadigd of ontbreken mag u dit product niet gebruiken totdat de onderdelen zijn vervangen. Het gebruik van dit product met beschadigde of ontbrekende onderdelen kan leiden tot ernstig lichamelijk letsel.

### ⚠ WAARSCHUWING

Verander niets aan de machine en gebruik geen accessoires die niet worden aanbevolen. Dergelijke wijzigingen of aanpassingen zijn misbruik en kunnen gevaarlijke situaties opleveren en mogelijk ernstig lichamelijk letsel veroorzaken.

### ⚠ WAARSCHUWING

Sluit het niet aan op het elektriciteitsnet totdat de montage is voltooid. Niet-naleving kan leiden tot onbedoeld starten en mogelijk ernstig lichamelijk letsel.

### HET PRODUCT AAN DE WERKBANK MONTEREN

Als het product op een vaste plaats gebruikt gaat worden, moet het op een stevig ondersteunend oppervlak worden gemonteerd, zoals een werkbank. Hier zijn vier boutgaten aangebracht in het onderstel van de zaag. Bouten (niet meegeleverd) moeten lang genoeg zijn voor het accommoderen van het onderstel van de zaag, borgringen (niet inbegrepen), zeskantmoeren (niet inbegrepen) en de dikte van de werkbank. Draai alle vier bouten stevig aan.



## Nederlands (Vertaling van de originele instructies)

Controleer de werkbank na het monteren zorgvuldig om ervoor te zorgen dat het tijdens gebruik niet kan verplaatsen. Als u kantelen, schuiven of lopen opmerkt, moet u de werkbank vóór gebruik aan de vloer vastmaken.

- Plaats het product op de werkbank. Gebruik het zaagonderstel als patroon en markeer de gaten waar het product moet worden gemonteerd.
- Boor gaten door de werkbank.
- Plaats de lintzaag op de werkbank waarbij u de gaten uitlijnt in het zaagonderstel met de gaten die in de werkbank zijn geboord.
- Plaats de bouten (niet inbegrepen) en draai ze stevig vast met borgmoeren en zeskantmoeren (niet inbegrepen). **OPMERKING:** Alle alle bouten moeten vanaf de bovenzijde worden geplaatst. Plaats de borgmoeren en zeskantmoeren van de onderkant van de bank.

### HET PRODUCT AAN DE WERKBANK KLEMMEN

Zie afbeelding 4.

Als het product als een draagbaar gereedschap gebruikt moet worden, wordt aanbevolen om het permanent aan een montageplaat te bevestigen dat eenvoudig aan een werkbank of een ander steunvlak geklemd kan worden. De montageplaat moet voldoende groot zijn om te voorkomen dat de zaag kantelt tijdens het gebruik. Elk stuk multiplex of spaanplaat van goede kwaliteit met een dikte van 19 mm (3/4") wordt aanbevolen.

Als u houtschroeven gebruikt moet u ervoor zorgen dat ze lang genoeg zijn om door de gaten in het zaagonderstel te gaan en het materiaal waar de zaag aan is gemonteerd. Als u machinebouten gebruikt moet u ervoor zorgen dat de bouten lang genoeg zijn om door de gaten in het zaagonderstel te gaan, het materiaal waar het aan wordt gemonteerd en de borgmoeren en zeskantmoeren.

### OPMERKING: HET KAN NODIG ZIJN OM DE ZESKANTMOEREN EN RINGEN OP DE ONDERZIJDE VAN DE MONTAGEPLAAT TE VERZINKEN.

- Monteer de zaag op de plaat met de gaten in het zaagonderstel als een sjabloon voor het gatenpatroon. Markeer de gaten waar de lintzaag gemonteerd moet worden.
- Volg de laatste drie stappen in de het hoofdstuk Het product aan de werkbank monteren, zoals hierboven is weergegeven.

### MONTAGE VAN DE ZAAGTAFEL

Zie figuren 5, 7.

- Verwijder de d-moer, ringen en vleugelschroef op de zaagtafel.
- Schuif, vanaf de voorzijde van de lintzaag, de zaagtafel voorzijde de lintzaag en door de sleuf, vanaf de rechterzijde van de zaagtafel naar links.

- Houd de zaagtafel met uw linkerhand vast terwijl u de hoekstelknop uit het zaagonderstel trekt, waarbij u de tanden op de zaagtafelbeugel uitlijnt met de tanden op de hoekstelknop. Laat de knop los.
- Plaats de pennen op het frame in de sleuven van de zaagtafelbeugel.
- Plaats de sluitring op het schroefdraadeinde van de tafelvargrendelingshendel. Maak de zaagtafel aan het zaagonderstel vast door de tafelvargrendelingshendel met de klok mee te draaien.
- Bevestig de d-moer, ringen en vleugelschroef op de zaagtafel.

**OPMERKING:** De vleugelschroef gaat onder de zaagtafel.

### DE VERLENGINGSSTEUN MONTEREN

Zie afbeelding 6.

- Plaats de buizen van de verlengingssteun vanaf de achterzijde in de gaten in het zaagonderstel.
- Lijn de gaten op de buizen op met die in het zaagonderstel.
- Plaats de grendelbouten en maak ze vast met sluitringen en zeskantmoeren.

### DE ZAAGTAFEL UITLIJNEN OP HET ZAAGBLAD

Zie figuren 8 - 9.

- Draai de vergrendelknop tegen de klok in om de zaaggeleider te ontgrendelen. Draai de stelknop voor de zaaggeleider met de klok mee en til de zaaggeleider zo ver mogelijk op. Draai de grendelknop met de klok mee om weer vast te maken.
- Plaats een combinatiehaak op de zaagtafel, naast het zaagblad.
- Maak de tafelvargrendeling los en draai de hoekstelknop om de zaagtafel omhoog of omlaag te kantelen om de tafel op 90° uit te lijnen met het zaagblad (0° stand). Maak de tafelvargrendeling weer vast.
- Draai de stelbout totdat de bout de zaagbehuizing net raakt.
- Controleer de loodrechte uitlijning van de zaagtafel met het zaagblad. Maak indien nodig aanpassingen.
- Stel de schaal aanduiding in naar nul en draai de schroef aan met een phillips-schroevendraaier.

**OPMERKING: maak altijd een testsnede om de loodrechte uitlijning van het zaagblad te controleren voordat u aan een nieuw project begint.** Als het niet loodrecht is, kan het nodig zijn om de schroeven onder de zaagtafel los te maken om de afstelling te wijzigen (de verstekleuf moet evenwijdig zijn met het zaagblad). Zodra het loodrecht is moet u de schroeven weer vastmaken.







## Nederlands (Vertaling van de originele instructies)

### DE SPANNING VAN HET ZAAGBLAD AANPASSEN

Zie figuren 10-11.

- Zet het product uit.
- Voordat u de lintzaag gaat gebruiken, moet u de spanknop van het zaagblad bovenop de zaag met de klok mee draaien om de spanning op te voeren.
- **OPMERKING:** de spanning van het zaagblad kan op elk moment gewijzigd worden.
- Pluk als aan een snaar van een gitaar aan de rechte achterrand van het zaagblad terwijl u de spanningsknop aandraait.

Het geluid wordt hoger zodra de spanning toeneemt. Verhoog de spanning van het zaagblad nooit zo strak dat u de veer samenknijpt. Wanneer de veer volledig is samengedrukt kan het niet meer fungeren als schokdemper.

Teveel spanning kan ervoor zorgen dat het zaagblad breekt. Dikkere werkstukken hebben een hogere spanning nodig; niet voor alle zaagsneden is de maximale spanning nodig. Te weinig spanning kan ervoor zorgen dat het zaaglint op de wielen gaat slippen.

### SPORING VAN HET ZAAGBLAD

Zie afbeelding 11.

Stel eerst de spanning van het zaagblad af voordat u aanpassingen aan de sporing maakt. Controleer dat de zaagbladgeleiders niet interfereren met het zaagblad. De tandholte (het diepste deel van de zaagtand) moet in het midden van de band staan.

#### Om aan te passen:

Loskoppelen van het elektriciteitsnet. Open de voorpanelen door de borgschroeven van de kap los te schroeven. Kijk naar de stand van het zaagblad op de bovenste band terwijl u, met de hand, het bovenste wiel langzaam met de klok mee draait. Als het zaagblad bij het midden van de band wegverplaatst, moet de sporing aangepast worden.

#### Als het zaagblad naar links of rechts van het midden is bewegen:

- Draai aan de sporingknop van het zaagblad (met de klok mee als het zaagblad naar links is bewegen; tegen de klok in als het zaagblad naar rechts is bewegen) terwijl u met de hand aan het wie draait totdat het zaagblad terug verplaatst in en het midden van de band draait.
- Controleer de positie van het zaagblad op de onderste band. Het zaagblad moet volledig op de band liggen (met de tandholte van de zaagtanden in het midden). Zo niet dan moet u de sporing bijstellen totdat het zaagblad op beide banden is.
- Roteer het bovenste wiel nog enkele slagen met de

hand met de klok mee. Controleer dat het zaagblad op dezelfde plek op de banden blijft. Zo nodig bijstellen totdat het zaagblad goed spoort.

- Sluit de voorpanelen en maak de borgschroeven van de kap weer vast.
- Zet het product aan.
- Controleer of het zaagblad op de band is gecentreerd (door het volgvenster). Herhaal bovenstaande stappen als het niet is gecentreerd.

### ⚠ WAARSCHUWING

De zaaggeleiders zijn vooraf in de fabriek ingesteld. Deze instellingen zijn functioneel voor sommige toepassingen. We raden u aan om de zaaggeleidingsinstellingen voor het eerste gebruik van uw zaag te controleren en te verstellen. Raadpleeg de procedures "Verstellen van de zaaggeleiding en de druklagers" die zijn uitgelegd in het hoofdstuk "Aanpassingen" van deze gebruiksaanwijzing.

### MONTEREN VAN DE SCHULPZAAGKAP

- Plaats de schulpzaagkap op de linkerzijde van de zaagtafel, met het vergrendelhandvat aan de voorzijde.
- Duw op het vergrendelhandvat om de stand van de schulpzaagkap te vergrendelen.
- Draai het vergrendelhandvat om de spanning van de klemmen aan te passen.

### BEDIENING

### ⚠ WAARSCHUWING

Laat uw waakzaamheid niet verslapen als u eenmaal vertrouwd bent geraakt met de machine. Vergeet niet dat zelfs één seconde onoplettendheid ernstig lichamelijk letsel kan veroorzaken.

### ⚠ WAARSCHUWING

Draag altijd gezichtsbescherming. Er kunnen wegsplattende deeltjes in uw ogen komen en ernstig oogletsel veroorzaken als u zich hier niet aan houdt.

### ⚠ WAARSCHUWING

Gebruik geen accessoires of opzetstukken die niet door de fabrikant van dit product zijn aanbevolen. Bij gebruik van niet aanbevolen onderdelen of accessoires bestaat gevaar voor ernstig lichamelijk letsel.



## Nederlands (Vertaling van de originele instructies)

### ⚠ WAARSCHUWING

Stel de zaaggeleiding af tot net boven het werkstuk om contact met het zaagblad te vermijden. Niet-naleving van dit voorschrift kan ernstig lichamelijk letsel veroorzaken.

### ⚠ WAARSCHUWING

Gebruik het product nooit zonder de beschermkap en de voorkappen op hun plek vergrendeld. Als u dit toch doet kan dat leiden tot ernstig lichamelijk letsel.

### BASISBEDIENING VAN DE LINTZAAG

Een lintzaag is in feite een "bochtenzaag"-machine die ook kan worden gebruikt voor rechte zaagtoepassingen, zoals dwarszagen, verstekzagen, kantzagen, samengesteld zagen en herzagen. Wanneer u de lintzaag gebruikt voor zagen in een rechte lijn, kan de gebruiker een geleider gebruiken met een stuk hout met de juiste maat, dat met "C" klemmen aan de tafel wordt geklemd. Het kan geen binnensneden of niet-doorlopende sneden maken.

Voordat u aan een zaagsnede begint moet u het product zien lopen. Als u overmatige trilling of ongebruikelijke geluiden opmerkt moet u direct stoppen. Zet het product uit en trek het uit het stopcontact. Niet opnieuw opstarten tot het probleem is opgespoord en verholpen.

### ZAAGPROCEDURES

- Houd het werkstuk altijd stevig tegen de tafel gedrukt.
- Gebruik lichte druk en beide handen als u het werk in het zaagblad voert. Duw nooit het werk niet tegen de zaag; laat het zaagblad zijn werk doen.
- De cirkel met kleinste diameter die kan worden gezaagd wordt bepaald door de breedte van het zaagblad. Een zaagblad van 6,35 mm (1/4") zaagt een minimale diameter van 38 mm (1-1/2").
- Houd uw handen weg van het zaagblad. Hou geen stukken hout vast die zo klein zijn dat uw vingers onder de beschermkap gaan.
- Vermijd lastige werkzaamheden en handposities waar een plotselinge slip ernstig letsel kan veroorzaken door contact met het zaagblad. Plaats uw handen nooit in het pad van het zaagblad.
- Gebruik extra steunelementen (tafels, zaagbokken, blokken, etc.) als u grote, kleine of lastige werkstukken zaagt.
- Gebruik nooit een persoon als substituut voor een tafelverlenging of als extra ondersteuning voor een werkstuk die langer of breder is dan de zaagtafel.
- Bij het zagen van onregelmatig gevormde werkstukken moet u uw werk plannen zodat het dat zaagblad niet

afknijpt. Een vorm moet bijvoorbeeld altijd plat op de zaagtafel liggen. Werkstukken mogen tijdens het zagen niet draaien, wiegen of glijden.

Als u het werkstuk terughaalt kan het zaagblad in de zaagsnede blijven hangen. Dit wordt meestal veroorzaakt doordat zaagsel de zaagsnede verstopt of wanneer het zaagblad uit de geleider komt. Als dit gebeurt:

- Zet het product uit. Wacht totdat de zaag volledig tot stilstand is gekomen. Trek de stekker van het product uit het stopcontact.
- Wig de zaagsnede open met een platte schroevendraaier of houten wig.
- Open het voorpaneel en draai met de hand aan het bovenste wiel terwijl u het werkstuk terughaalt.

### ONLASTINGSSNEDEN

Onlastingssneden worden gemaakt wanneer een lastige bocht wordt gezaagd (te kleine straal voor het zaagblad). Zaag door een afvalstuk van het werkstuk om een patroonlijn te zagen, waarna u het zaagblad voorzichtig terughaalt. Voor een lastige bocht moeten verschillende onlastingssneden worden gemaakt voordat u de patroonlijn volgt, aangezien er stukken van de bocht worden gezaagd waarmee de druk op het zaagblad wordt "ontlast".

### FIGUURZAGEN

Voor algemeen figuurzagen volgt u de patroonlijnen door op hetzelfde moment het werkstuk te duwen en te draaien. Probeer het werkstuk niet te draaien als het contact maakt met het zaagblad zonder te duwen - dan kan het werkstuk vastlopen of het zaagblad draaien.

### VASTGELOPEN MATERIAAL VERWIJDEREN

Verwijder nooit vastgelopen zaagstukken totdat het zaagblad volledig tot stilstand is gekomen.

- Zet het product uit. Wacht totdat de zaag volledig tot stilstand is gekomen.
- Haal, voordat u vastgelopen materiaal verwijdert, de stekker uit het stopcontact.

### LETSEL VOORKOMEN

- Zorg ervoor dat de zaag waterpas staat en niet wankelt. De zaag moet altijd op een stevige, vlakke ondergrond staan met voldoende ruimte voor het hanteren en goed ondersteunen van het werkstuk.
- Schroef de zaag aan het steunvlak om wegglijden of lopen te voorkomen tijdens handelingen zoals het zagen van lange, zware platen.
- Schakel de zaag uit en trek de stekker uit het stopcontact voordat u de zaag verplaatst.
- Verwijder geen vastgelopen zaagstukken totdat het zaagblad volledig tot stilstand is gekomen.



## Nederlands (Vertaling van de originele instructies)

- Kies het zaagblad met de juiste maat en stijl voor het materiaal en de type zaagsnede die u wilt maken.
- Zorg ervoor dat de zaagtanden omlaag zijn gericht naar de zaagtafel, dat de zaaggeleiders, druklagers en zaagbladspanning goed zijn afgesteld, dat de geleidingsknop van het zaagblad nauwsluitend is en dat er geen grote speling in de onderdelen is.
- Om onbedoeld contact met het zaagblad te voorkomen, breuk van het zaagblad te minimaliseren en maximale ondersteuning van het zaagblad te voorzien, moet u de zaagbladgeleider altijd afstellen tot net boven het werkstuk.
- Gebruik uitsluitend de aangeraden accessoires.
- Met de uitzondering van het werkstuk en de gerelateerde ondersteuningsmiddelen moet alles van de zaagtafel worden gehaald voordat u de zaag aanzet.
- Ondersteun ronde materialen zoals stangen of buizen omdat ze kunnen rollen tijdens het zagen, waardoor het zaagblad kan "bijten". Om dit te voorkomen moet u altijd een "V" blok gebruiken of het werkstuk vastklemmen aan een verstekmaat.
- Voordat u losse stukken van de zaagtafel verwijderd moet u de zaag uitschakelen en wachten totdat alle onderdelen volledig tot stilstand zijn gekomen.

### HET PRODUCT AAN/UITZETTEN.

Zie afbeelding 12.

- Druk op "I" om het product aan te zetten.
- Druk op "O" om het product uit te zetten.

### VOORDAT U DIT PRODUCT ACHTERLAAT

Zie afbeelding 12.

- Zet het product uit. Wacht totdat de zaag volledig tot stilstand is gekomen.
- Trek de stekker van het product uit het stopcontact.
- Maak de werkplaats kindvriendelijk.
- Haal de spanning van het zaagblad met behulp van de Rapidset™-hendel om de levensduur van het zaagblad te verlengen.
- Sluit de werkplaats af.

### DE WERKLAMP AAN-/UITZETTEN.

Zie afbeelding 13.

- Druk op "☞" om de werklamp aan te zetten.
- Druk op "O" om de werklamp uit te zetten.

### DE TAFEL KANTELEN

Zie afbeelding 14.

- Maak de vergrendelknop van de tafel iets los.
- Draai aan de hoekstelknop om de zaagtafel te

kantelen tot het de gewenste hoek bereikt.

- Controleer met behulp van de schaal aanduiding de hoekmarkeringen.
- Maak de tafelgrendelknop weer vast om de zaagtafel vast te zetten.

### DE VERSTEKMAAT GEBRUIKEN

Zie figuren 15 - 16.

De verstekmaat kan maximaal 60° naar rechts of naar links worden ingesteld.

- Maak de grendelknop op de verstekmaat los.
- Met de verstekmaat in de verstekmaatsleuf moet u de maat roteren totdat de gewenste hoek op de indexschaal is bereikt.
- Draai de grendelknop aan.

### DE SCHULPZAAGKAP GEBRUIKEN

De schulpzaagkap wordt gebruikt voor alle schulpzaaghandelingen. Schulpzaag nooit met de hand, zonder de kap geplaatst en vergrendeld.

- Plaats de kap tot de gewenste breedte van de schulpsnede en vergrendel het.
- Voordat u begint met schulpzagen moet u ervoor zorgen dat de schulpzaagkap evenwijdig is aan het zaagblad. Wanneer u langen planken of grote platen zaagt moet u altijd een werksteun gebruiken.

## HOUD HET STUK TEGEN DE KAP AANGEDRUKT

### ⚠ WAARSCHUWING

Voordat u instellingen doet moet u ervoor zorgen dat de stekker uit het stopcontact is en de schakelaar uit staat. Het niet naleven van deze waarschuwing kan resulteren in ernstig persoonlijk letsel.

### ⚠ WAARSCHUWING

Om persoonlijk letsel te voorkomen moet u zorgen voor een juiste afstelling van de zaagbladspanning, zaagbladsporing, zaagbladgeleiders en druklagers.

### PLAATSEN EN AFSTELLEN VAN HET ZAAGBLAD

Zie afbeelding 17.

- Maak de vleugelschroef los en verwijder die samen met de sluitringen en de D-moer van de zaagtafel.
- Open de voorpanelen door de borgschroeven van de kap los te schroeven.





## Nederlands (Vertaling van de originele instructies)

- Draag de vergrendelknop tegen de klok in om de zaaggeleider te ontgrendelen. Draai de geleidingsknop van het zaagblad (met de klok mee tilt de zaagbladgeleider omhoog; tegen de klok in verlaagt het), plaats de zaagbladgeleider ongeveer halverwege tussen de zaagtafel en de zaagbehuizing. Draai de grendelknop aan.
- Open de zaagblad-beschermkap door de linkerkant van de bewaker uit te trekken van het wiel.
- Haal alle spanning van het zaagblad.
- Verwijder het oude zaagblad voorzichtig.
- Draag handschoenen en wikkel het nieuwe zaagblad voorzichtig op armlengte af. Als het nieuwe zaagblad is geolied om roestvorming te voorkomen, moet het worden afgeveegd om de olie van uw werkstuk af te houden. Veeg voorzichtig in dezelfde richting als de tanden, zodat het doek niet vastloopt op de tanden van het zaagblad.

**OPMERKING:** Als de tanden in de verkeerde richting wijzen moet het zaagblad wellicht binnenstebuiten gedraaid worden. Houd het zaagblad met beide handen vast en draai het naar binnen.

- Plaats het zaagblad, met de tanden van het zaagblad naar links en naar beneden, door de onderste zaagbladgeleiders en rond beide wielen.
- Draai het bovenste wiel met de hand langzaam naar rechts of met de klok mee om het mes te centreren op de rubberen banden.
- Breng de RapidSet™-hendel weer aan pas daarna de zaagbladspanning aan; controleer of verstel de sporing van het zaagblad.
- Verstel zowel de onderste als bovenste zaagbladgeleider en druklagers, zoals later in deze gebruiksaanwijzing wordt uitgelegd.
- Plaats de vleugelschroef, sluitringen en D-moer terug. Stevig aandraaien.
- Sluit de beschermkap en het voorpaneel van het zaagblad. Draai de borgschroef van het paneel aan.

### HET ZAAGGELEIDERSAMENSTEL INSTELLEN

Zie figuren 18 - 19.

Om te voorkomen dat het zaagblad verdraait of breekt, moet de zaagbladgeleider altijd ongeveer 3,2 mm (1/8") boven het werkstuk worden ingesteld.

- Draag de vergrendelknop tegen de klok in om de zaaggeleider te ontgrendelen.
- Als geleiding kunt u een stuk schroothout nemen van hetzelfde hout dat u gaat zagen, om de hoogte van de zaagbladgeleider in te stellen. Stel de zaagbladgeleider in door aan de knop van de zaagbladgeleider te draaien.
- Vergrendel de zaagbladgeleider door aan de

grendelknop met de klok mee te draaien.

- Vergrendel de zaaggeleider altijd op zijn plaats voordat u de lintzaag aanzet.

### DE ZAAGBLADGELEIDER EN DRUKLAGERS INSTELLEN

Zie figuren 20 - 21.

**OPMERKING:** Draai aan de grendelknop en raadpleeg de procedures "De spanning van het zaagblad aanpassen" en "Sporing van het zaagblad" die zijn uitgelegd in het hoofdstuk MONTAGE van deze gebruiksaanwijzing om afstellingen te maken.

De bovenste en onderste druklagers van het zaagblad ondersteunen en geleiden het zaagblad tijdens zaagbewerkingen. De instelling van de lagers en geleiders moet altijd worden gecontroleerd wanneer er een ander zaagblad wordt geplaatst.

### Het aanpassen van de druklagers:

De druklagers ondersteunen de achterrand van het zaagblad tijdens het zagen. Het zaagblad mag niet in contact zijn met de druklagers wanneer u stopt met zagen. Het is belangrijk dat zowel de bovenste als onderste druklagers gelijkmatig zijn afgesteld.

- Open de voorpanelen en de beschermkap.
- Maak met een zeskantsleutel de bovenste en onderste druklagerschroeven los en duw de druklagers naar de achterzijde van de zaag.
- Controleer of het zaagblad correct spoort en schuif daarna de druklager vooruit totdat het lager binnen 0,4 mm (1/64") van het zaagblad is. Draai de druklagerschroef stevig aan.
- Schuif het onderste lager naar voren totdat het voldoende tussenruimte heeft. Draai de druklagerschroef stevig aan.

### Het aanpassen van de zaaggeleidersteun:

- Maak de zaaggeleidersteun en de stelschroeven van de zaaggeleider los met de inbusschroeven.
- Schuif de bovenste zaaggeleidersteun op de as totdat de voorrand van de geleiders achter de tandholte in contact komen met het zaagblad. Draai de schroef stevig vast.
- Duw de rechter geleiding in contact met het zaagblad en laat los. Draai het wiel langzaam een volledige omwenteling. De stelschroeven van de zaaggeleider aanhalen.
- Stel de geleider aan de linkerkant af naar 0,4 mm (1/64") tussenruimte tussen het zaagblad en de geleider (ongeveer de dikte van een speelkaart), door een speelkaart tussen de linker geleider en het zaagblad te steken.





## Nederlands (Vertaling van de originele instructies)

- Druk licht op de linker geleiderpen om de speelkaart op zijn plaats te houden. Draai de stelschroef vast en verwijder de speelkaart.
- Draai met de hand tot drie volledige omwentelingen om ervoor te zorgen dat het zaagblad niet vastloopt.
- Sluit de beschermkap en het voorpaneel van het zaagblad. Vastzetten met de schroef.

Herhaal deze procedure voor de onderste zaaggeleidersteun.

### DE SCHULPZAAGKAP AFSTELLEN

- Maak het vergrendelhandvat los door het tegen de klok in te draaien.
- Verplaats de schulpzaagkap naar de gewenste positie.
- Duw op het vergrendelhandvat om de stand van de schulpzaagkap te vergrendelen.
- Draai het vergrendelhandvat om de spanning van de klemmen aan te passen.

### ONDERHOUD

#### **⚠ WAARSCHUWING**

Gebruik voor vervanging uitsluitend originele reserveonderdelen. Gebruik van niet originele onderdelen kan gevaar opleveren of schade aan de machine veroorzaken.

#### **⚠ WAARSCHUWING**

Draag altijd oogbescherming als het product aanstaat. Als het werk stof veroorzaakt, draag dan ook een stofmasker.

#### **⚠ WAARSCHUWING**

Voordat u onderhoud uitvoert moet u ervoor zorgen dat de stekker uit het stopcontact is en de schakelaar uit staat. Het niet naleven van deze waarschuwing kan resulteren in ernstig persoonlijk letsel.

### ALGEMEEN ONDERHOUD

Vorkom het gebruik van oplosmiddelen wanneer u kunststof onderdelen reinigt. De meeste kunststoffen zijn gevoelig voor schade van verschillende types commerciële schoonmaakproducten en kunnen door hun gebruik worden beschadigd. Gebruik een schone doek om vuil, stof, olie, vet, enz. te verwijderen.

#### **⚠ WAARSCHUWING**

Remvloeistof, benzine, producten op basis van petroleum, kruitolie, enz mogen nooit in contact komen met kunststof onderdelen. Chemicaliën kunnen kunststof beschadigen, verzwakken of verwoesten, wat kan leiden tot ernstig letsel.

- Houd het product schoon.
- Verwijder regelmatig het zaagsel uit de binnenzijde.
- Laat geen hars ophopen op de zaagtafel, zaagbladgeleiders of druklagers. Reinig ze met gum en harsverwijderaar.
- Breng een dun laagje autowax aan op de bovenzijde van de zaagtafel, zodat het hout gemakkelijk glijdt tijdens het zagen.

### Smering

Alle lagers in dit gereedschap zijn gesmeerd met een voldoende hoeveelheid smeermiddel van hoge kwaliteit, wat moet volstaan voor de levensduur van de machine onder normale gebruiksomstandigheden. Extra smering is daarom niet noodzakelijk.

### BANDEN

#### Reinigen van de banden:

- Hars en zaagsel hopen zich op de banden op en moeten worden verwijderd met een fijne staalborstel of een stukje hout. **Gebruik geen scherp mes of enige vorm van oplosmiddel.**

#### De banden vervangen:

- Open het voorpaneel en verwijder het zaagblad. Zie het hoofdstuk over Plaatsen en afstellen van het zaagblad.
- Wrik de versleten band voorzichtig van het wiel.
- Span de nieuwe band rond het wiel.
- Vervang het zaagblad en sluit het voorpaneel.

### BORSTEL

Zie afbeelding 22.

In de zaagbehuizing naar het wiel ligt een borstel. Dit helpt de band en het wiel te beschermen, door zaagsel af te borstelen. Wanneer de borstel slijt moet het worden aangepast of vervangen.

- Verwijder de schroef en de sluitring en trek vervolgens de borstel eruit.
- Plaats de nieuwe borstel in de groef.
- Plaats het terug met de sluitring en de schroef.



## Nederlands (Vertaling van de originele instructies)

### TRANSPORT EN OPSLAG

Zie figuren 23 - 24.

- Bij het transporteren van het product moet het stroomsnoer worden losgekoppeld, moet de beschermkap zijn gezakt en moet het product gedemonteerd worden. Bewaar de duwstok naar de bovenste behuizing. Til het product op aan de bovenste behuizing, zoals is afgebeeld. Bewaar het product op een veilige plaats die niet toegankelijk is voor kinderen.
- Reinig het product met behulp van een borstel en stofzuiger voor u het opbergt.

### MILIEUBESCHERMING



Zorg dat grondstoffen worden gerecycleerd in plaats van weggegooid als afval. Om het milieu te beschermen dient de machine, de accessoires en de verpakking gesorteerd bij een erkend recyclingcentrum te worden aangeleverd.

### SYMBOOL



Veiligheidswaarschuwing



EG conformiteit



Lees zorgvuldig de instructies voor u het product start.



Draag gezichtsbescherming



Draag gehoorbescherming



GEVAAR! Scherp zaagblad.



Vergrendeling



Ontgrendeling



Maximale zaagdiepte



Maximale zaagbreedte



Maximale zaaghoek



Werk snelheid



Zaag grootte



Verwijder de voeding vóór onderhoud van het gereedschap.



Elektrisch afval mag niet samen met ander huishoudafval worden weggegooid. Gelieve te recyclen indien de mogelijkheid bestaat. Neem contact op met uw gemeente of handelaar om advies te krijgen over recyclage.



## Nederlands (Vertaling van de originele instructies)

### PROBLEEMEN OPLOSSEN

Probleem	Mogelijke oorzaak	Oplossing
Motor draait niet	<ol style="list-style-type: none"> <li>1. Probleem met de aan-/uitschakelaar of het stroomsnoer.</li> <li>2. Motor defect.</li> <li>3. Het zaagblad loopt vast.</li> </ol>	<ol style="list-style-type: none"> <li>1. Laat versleten onderdelen vervangen voordat u het product opnieuw gebruikt.</li> <li>2. Probeer nooit zelf reparaties uit te voeren. Laat uw gereedschap door een gekwalificeerd persoon repareren.</li> <li>3. Verwijder vastgelopen materiaal</li> </ol>
Het zaagblad loopt niet in het midden van het bovenste wiel.	<ol style="list-style-type: none"> <li>1. Niet goed sporen.</li> </ol>	<ol style="list-style-type: none"> <li>1. De sporing afstellen, zie het hoofdstuk AANPASSINGEN, "Sporing van het zaagblad".</li> <li>2. Indien beschadigd, laat onmiddellijk door een gekwalificeerd onderhoudsman vervangen.</li> </ol>
De lintzaag vertraagt bij het zagen.	<ol style="list-style-type: none"> <li>1. Een te kleine straal zagen.</li> <li>2. Bot zaagblad.</li> </ol>	<ol style="list-style-type: none"> <li>1. Stop met het aanvoeren van het hout en haal het zaagmateriaal iets terug totdat de lintzaag versnelt.</li> <li>2. Vervang het zaagblad.</li> </ol>
Brek van het zaagblad.	<ol style="list-style-type: none"> <li>1. Teveel spanning op het zaagblad.</li> <li>2. Er zit een knik in het zaagblad door het zagen in een te kleine straal of door het materiaal bij het zagen te snel te draaien.</li> <li>3. De druklagers zijn beschadigd of draaien niet.</li> </ol>	<ol style="list-style-type: none"> <li>1. Stel de spanning af. Zie het hoofdstuk AANPASSINGEN "De spanning van het zaagblad aanpassen".</li> <li>2. Gebruik de juiste zaagtechniek. Zie het hoofdstuk Bediening.</li> <li>3. Vervang de druklagers.</li> </ol>
product maakt herrie tijdens het draaien.	<ol style="list-style-type: none"> <li>1. Teveel spanning op het zaagblad.</li> <li>2. De zaagbladgeleiders en lagers staan in contact met het zaagblad.</li> </ol>	<ol style="list-style-type: none"> <li>1. Stel de spanning af. Zie het hoofdstuk AANPASSINGEN "De spanning van het zaagblad aanpassen".</li> <li>2. Stel de bovenste en onderste zaagbladgeleiders en lagers in. Zie de hoofdstukken AANPASSINGEN "Verstellen van de druklagers en de zaaggeleiding".</li> </ol>
Het zaagblad zaagt niet recht.	<ol style="list-style-type: none"> <li>1. De zaagbladgeleiders en lagers zijn niet goed ingesteld.</li> <li>2. Versleten of defect zaagblad.</li> </ol>	<ol style="list-style-type: none"> <li>1. Stel de bovenste en onderste zaagbladgeleiders en lagers in. Zie de hoofdstukken AANPASSINGEN "Verstellen van de druklagers en de zaaggeleiding".</li> <li>2. Vervang het zaagblad.</li> </ol>
De zaagbladgeleiders blijven niet op hun plek.	<ol style="list-style-type: none"> <li>1. De geleidingschroeven van het zaagblad moeten losgemaakt worden.</li> </ol>	<ol style="list-style-type: none"> <li>1. Draai de schroeven van de zaagbladgeleider stevig aan.</li> </ol>
De motor loopt, maar het zaagblad draait niet.	<ol style="list-style-type: none"> <li>1. De spanning is niet goed ingesteld.</li> <li>2. De aandrijfriem is gebroken.</li> </ol>	<ol style="list-style-type: none"> <li>1. Gebruik de verstelhendel voor de spanning van de zaag om de spanning in te stellen.</li> <li>2. Indien beschadigd, laat onmiddellijk door een gekwalificeerd onderhoudsman vervangen.</li> </ol>





## Portugues (Tradução das instruções originais)

### DESCRIÇÃO

- |   |   |
|---|---|
| 1. Manípulo de tensão da lâmina             | 53. Bloqueio                              |
| 2. Parafuso de bloqueio de tampa            | 54. Rolamento axial                       |
| 3. Janela de visualização de acompanhamento | 55. Parafuso de rolamento axial           |
| 4. Luz de trabalho                          | 56. Parafuso de apoio de guia de lâmina   |
| 5. Protecção da lâmina                      | 57. Apoio de guia de lâmina superior      |
| 6. Lâmina da serra                          | 58. Guia de lâmina                        |
| 7. Medidor de serra                         | 59. Parafuso de fixação de guia de lâmina |
| 8. Porta de exaustão de poeira              | 60. Parafuso de guia de lâmina            |
| 9. Indicador de escala                      | 61. Apoio de guia de lâmina inferior      |
| 10. Manípulo de ajuste de ângulo            | 62. Escova                                |
| 11. Escala                                  | 63. Arruela                               |
| 12. Alavanca de bloqueio de mesa            | 64. Parafuso                              |
| 13. Manípulo de bloqueio                    | 65. Pneu                                  |
| 14. Manípulo de ajuste de guia da lâmina    |   |
| 15. Alavanca de tensão da cinta             |   |
| 16. Placa de garganta                       |   |
| 17. Maçaneta de alinhamento                 |   |
| 18. Interruptor desligado/ligado            |   |
| 19. Mesa de serrar                          |   |
| 20. Painel inferior frontal                 |   |
| 21. Painel superior frontal                 |   |
| 22. Protecção                               |   |
| 23. Interruptor de luz de serviço           |   |
| 24. Bastão de empurrar                      |   |
| 25. Chave de fendas Phillips (não incluída) |   |
| 26. Chave ajustável (não incluída)          |   |
| 27. Pequeno esquadro misto (não incluída)   |   |
| 28. Chave hexagonal , 3 mm                  |   |
| 29. Chave hexagonal , 4 mm                  |   |
| 30. Chave hexagonal , 5 mm                  |   |
| 31. Arruela                                 |   |
| 32. Porcas cegas                            |   |
| 33. Anilhas                                 |   |
| 34. Sapatas                                 |   |
| 35. Perno de bloqueio                       |   |
| 36. Porcas sextavadas                       |   |
| 37. Extensão de apoio                       |   |
| 38. Orifícios na base da serra              |   |
| 39. Porca (D) Sextavada                     |   |
| 40. Parafuso de orelhas                     |   |
| 41. Suporte de mesa de serrar               |   |
| 42. Conjunto de guia de lâmina              |   |
| 43. Parafuso de ajuste                      |   |
| 44. Diminuir tensão                         |   |
| 45. Aumentar tensão                         |   |
| 46. Manípulo de bloqueio                    |   |
| 47. Ranhura de medidor de serra             |   |
| 48. Parafusos Phillips                      |   |
| 49. Roda superior                           |   |
| 50. Guias de lâmina inferior                |   |
| 51. Roda inferior                           |   |
| 52. Abrir                                   |   |







## Portugues (Tradução das instruções originais)

Na concepção da sua serra de fita foi dada a máxima prioridade à segurança, ao desempenho e à fiabilidade.

### UTILIZAÇÃO PREVISTA

A serra de fita destina-se a corte de linha reta, corte por deslocamento e corte circular de madeira e produtos à base de madeira.

O produto destina-se a ser utilizado por operadores adultos que tenham lido o Manual de Instruções e que compreendam os riscos e os perigos.

A serra deve ser utilizada em ambientes secos, com um bom grau de iluminação e uma ventilação adequada.

O produto foi desenhado para uso doméstico e apenas deve ser utilizado tal como se descreve anteriormente e não para outros fins.

### AVISOS GERAIS DE SEGURANÇA

#### AVISO

Ao utilizar ferramentas eléctricas, devem seguir-se sempre precauções básicas de segurança para minimizar o risco de incêndio, choque eléctrico e lesões. Leia todas as instruções antes de utilizar o produto e conserve-as.

- **Mantenha a área de trabalho limpa.** As áreas e os bancos de trabalho desordenados são mais susceptíveis de causar ferimentos.
- **Tenha em atenção o ambiente da área de trabalho.** Não exponha ferramentas à chuva. Não use as ferramentas em locais húmidos ou molhados. Mantenha a área de trabalho adequadamente limpa. Mantenha as ferramentas ao abrigo de líquidos ou gases inflamáveis.
- **Proteja contra choques eléctricos.** Evite o contacto do corpo com superfícies com ligação terra ou enterradas (tais como tubos, radiadores, fogões e frigoríficos).
- **Mantenha as outras pessoas afastadas.** Não deixe que as pessoas, especialmente crianças, sejam envolvidas no trabalho, toquem na ferramenta ou no cabo de extensão, e mantenha-as afastadas da área de trabalho.
- **Guarde as ferramentas inactivas.** Quando não estiver em uso, as ferramentas devem ser guardadas num local seco, com chave, fora do alcance de crianças.
- **Não force a ferramenta.** Realizará um trabalho melhor e mais seguro à velocidade para a qual foi destinada.
- **Utilize a ferramenta adequada.** Não force as ferramentas de pequeno porte a realizarem o trabalho de uma ferramenta de trabalho pesado. Não use ferramentas para finalidades às quais não se destina, por exemplo, não use serras circulares para cortar ramos de árvores ou troncos.
- **Vista-se adequadamente.** Não use roupas largas ou jóias; podem ficar presas nas partes móveis. Recomenda-se a utilização de calçado anti-deslizante ao trabalhar em exteriores. Use cobertura de protecção para o cabelo para prender o cabelo comprido.
- **Use equipamento de protecção.** Use óculos de segurança. Use uma máscara de rosto para se proteger do pó caso trabalhe em operações que criem pó.
- **Conecte o equipamento de extracção de pó.** Se é fornecida a ferramenta para a ligação de espaços de extracção e recolha de pó, assegure-se de que estes se encontram conectados e usados correctamente.
- **Não puxe pelo cabo.** Nunca puxe o cabo para o desconectar da tomada. Mantenha o cabo afastado do calor, óleo e pontas afiadas.
- **Fixe a peça de trabalho.** Quando possível, use braçadeiras ou um torno para fixar o trabalho. É mais seguro do que utilizar a sua mão.
- **Não se aproxime em demasia.** Mantenha sempre o equilíbrio e a posição dos pés adequada.
- **Utilize as ferramentas com cuidado.** Mantenha as ferramentas de corte afiadas e limpas para que realizem um trabalho melhor e mais seguro. Siga as instruções de lubrificação e mudança de acessórios. Inspeccione periodicamente os cabos e, se estiverem danificados, leve-os a um centro de assistência autorizado. Inspeccione os cabos de extensão periodicamente e substitua-os, se danificados. Mantenha os manípulos secos, limpos e livres de óleo e graxa.
- **Desligue as ferramentas.** Quando não estiver em utilização, antes de realizar a manutenção e ao mudar os acessórios tais como as lâminas, brocas e cortadores, desconecte as ferramentas da fonte de alimentação.
- **Retire as chaves de porcas.** Habitue-se a verificar se as chaves de ajuste e as chaves inglesas foram retiradas da ferramenta antes de a ligar.
- **Evite o arranque involuntário.** Certifique-se de que o interruptor se encontra na posição "off" ao ligar a ficha.
- **Use cabos de extensão no exterior.** Quando uma ferramenta é usada no exterior, use apenas cabos de extensão que se destinem a ser utilizados ao ar livre e estejam assim assinalados.
- **Mantenha-se alerta.** Observe aquilo que está a fazer, use o senso comum e não opere a ferramenta quando



## Portugues (Tradução das instruções originais)

estiver cansado.

- **Verifique se existem peças danificadas.** Antes de mais qualquer utilização da ferramenta, esta deve ser verificada cuidadosamente para determinar se funcionará adequadamente e realizará a função a que se destina. Confirme o alinhamento das peças móveis, a união das peças móveis, a ruptura de peças, montagem e quaisquer outras condições que possam afectar o funcionamento. Uma protecção ou outra peça que esteja danificada deve ser adequadamente reparada ou substituída por um centro de assistência autorizado salvo indicação contrária neste manual de instruções. Leve os interruptores defeituosos para serem substituídos num centro de assistência autorizado. Não use a ferramenta caso o interruptor não a ligue ou desligue.
- **Aviso.** O uso de qualquer acessório ou extra para além dos recomendados neste manual de instruções pode implicar um risco de lesão pessoal.
- **Leve a sua ferramenta para ser reparado por uma pessoa qualificada.** Esta ferramenta eléctrica cumpre com as normas de segurança relevantes. As reparações só devem ser realizadas por pessoas qualificadas utilizando peças de substituição originais, caso contrário poderá resultar em perigo considerável para o utilizador.

### AVISOS DE SEGURANÇA DA SERRA DE FITA

- **Grampeie ou aparafuse firmemente a serra a uma bancada de trabalho ou apoio de perna aproximadamente à altura da anca.**
- **Nunca utilize o produto no chão.**
- **Evite posturas incómodas e posições das mãos em que um deslizamento repentino possa fazer com que a sua mão se mova para a lâmina.** Certifique-se sempre de que está bem equilibrado.
- **Permita que o motor atinja a velocidade total antes de iniciar um corte para evitar problemas de ligação ou avaria.**
- **Não utilize a ferramenta se o interruptor não a ligar e desligar.** Leve os interruptores defeituosos para serem substituídos num centro de assistência autorizado.
- **Peças de substituição.** Todas as reparações, sejam eléctricas ou mecânicas, devem ser realizadas por um técnico qualificado de serviço num centro de serviço autorizado.
- **Ao realizar serviços de manutenção, use apenas peças de substituição idênticas.** O uso de quaisquer outras peças pode criar perigo ou causar danos ao aparelho.
- **Mantenha as mãos afastadas da área de corte.** Não manuseie peças tão pequenas que os seus dedos

fiquem sob a guarda da lâmina. Não coloque as suas mãos e dedos por baixo da peça ou no percurso de corte da lâmina em caso algum.

- **Nunca corte mais do que uma peça de uma vez ou empilhe mais do que um trabalho na bancada.**
- **Não faça entrar o material demasiado rapidamente.** Não force a peça de trabalho contra a lâmina.
- **Utilize unicamente as lâminas correctas.** Utilize a medida e estilo de lâmina corretos para o material e o tipo de corte. Os dentes da lâmina devem apontar para baixo no sentido da mesa.
- **Apoie sempre as peças de trabalho grandes ao cortar para minimizar riscos de aperto ou retorno da lâmina.** A serra pode deslizar, deslocar-se ou escorregar ao cortar peças grandes ou pesadas.
- **Não remova os peças de corte encravadas até que a lâmina pare.**
- **Não utilize lâminas de serra que estejam danificadas ou deformadas.**
- **Substitua a inserção de mesa desgastada.**
- **Conecte um dispositivo de recolha de pó à serra quando estiver a serrar madeira.**
- **Não opere o produto quando a guarda de protecção da lâmina da serra estiver aberta.**
- **Selecione a lâmina da serra e a velocidade dependendo do material a ser cortado.**
- **Não limpe a lâmina da serra enquanto estiver em movimento.**
- **Utilize luvas quando manusear a lâmina da serra e materiais rugosos.**
- **Utilize uma vara para pressionar no corte de peças pequenas utilizando a protecção.**
- **Transporte o produto com a guarda da lâmina totalmente para baixo e junto à bancada.**
- **Coloque a protecção na parte inferior da bancada quando cortar arestas com a bancada inclinada.**
- **Utilize um dispositivo de suspensão quando cortar madeira redonda ou de forma irregular para evitar a rotação da peça.**
- **Não utilize proteções para manuseamento ou transporte**
- **Ajuste a guarda ajustável o mais próximo da peça de trabalho possível.**
- **Nunca toque na superfície ou noutras partes móveis durante o uso da ferramenta.**
- **Antes de alterar a configuração e remover as tampas, guardas ou lâminas, desligue a serra da fonte de alimentação.**
- **Agarre sempre a peça de trabalho com firmeza de encontro à mesa.**



## Portugues (Tradução das instruções originais)

- **Para evitar contacto accidental da lâmina, minimize a quebra da lâmina, e faculte o máximo apoio à lâmina.** Ajuste sempre o conjunto de guia da lâmina para libertar a peça de trabalho.
- **Mantenha as lâminas limpas, afiadas e com suficiente dureza.** As lâminas afiadas minimizam o estrangulamento e recuo.
- **Desligue sempre a serra antes de remover o cabo de alimentação da tomada, para evitar um arranque accidental ao voltar a ligá-la à corrente.**
- **Certifique-se de que a área de trabalho esteja suficientemente iluminada para ver a peça de trabalho e que nenhuma obstrução interfira com o funcionamento seguro da ferramenta antes de realizar qualquer trabalho.**
- **As guias da lâmina foram configuradas na fábrica.** Estas configurações são funcionais para algumas aplicações. Recomendamos que verifique e ajuste as definições de guia da lâmina antes da primeira utilização da sua serra. Consulte os procedimentos "Ajuste dos rolamentos axiais e apoio de guia de lâmina" explicados na secção AJUSTES deste manual de operador.
- **Não utilize a ferramenta para cortar metal.**
- **Esta ferramenta deverá ter as seguintes marcas:**
  - Use protecção para os olhos
  - Mantenha as mãos afastadas da lâmina.
  - Não remova os peças de corte ou encravadas até que a lâmina pare.
  - Certifique-se de que a lâmina está instalada com os dentes a apontar para baixo.
  - Mantenha o ajuste adequado da tensão da lâmina, guias da lâmina e rolamentos axiais.
  - Ajuste o guia superior para libertar a peça de trabalho.
  - Agarre a peça de trabalho com firmeza de encontro à mesa durante o corte.
- **Se o cabo de alimentação estiver danificado, deverá ser substituído unicamente pelo fabricante ou por um centro de serviço autorizado para evitar riscos.**
- **Guarde estas instruções.** Consulte as instruções de forma frequente e utilize-as para instruir outros utilizadores. Se emprestar esta ferramenta, assegure-se de que o novo utilizador recebe também estas instruções.

### ELECTRICIDADE

#### CABOS DE EXTENSÃO

Utilize apenas cabos de extensão compostos de 3 cabos que tenham ligações à terra de 3 pontas e tomadas de

3 pólos que aceitem a ligação ao produto. Ao utilizar uma ferramenta eléctrica a uma distância considerável da fonte de alimentação, use um cabo eléctrico suficientemente pesado para suportar a corrente de que o produto necessitará. A utilização de um cabo eléctrico não adequado provocará uma quebra na tensão, que resultará numa quebra de potência e no sobreaquecimento do motor.

Antes de utilizar uma extensão, verifique se não existem fios soltos ou expostos e isolamento cortado ou desgastado.

#### **⚠ AVISO**

Mantenha o cabo de extensão fora da área de trabalho. Coloque o cabo de forma a que não seja preso em tábuas, ferramentas ou outras obstruções enquanto estiver a trabalhar com uma ferramenta eléctrica. O não cumprimento desta instrução pode ocasionar ferimentos graves.

#### **⚠ AVISO**

Verifique os cabos de extensão antes de cada utilização. Se estiver danificado, substitua imediatamente. Nunca utilizar uma ferramenta com um cabo danificado, uma vez que tocar na área danificada pode provocar choque eléctrico, resultando em ferimentos graves.

#### LIGAÇÃO ELÉCTRICA

Este produto é alimentado por um motor eléctrico de precisão encastrado. Esta ferramenta deve ser unicamente ligada a uma fonte de alimentação de 220~240V, de CA (corrente normal doméstico), 50 Hz. Não opere este aparelho em corrente contínua (CC). Uma queda de tensão substancial causará uma perda da potência e o motor irá sobreaquecer. Se o aparelho não funcione quando ligado a uma tomada, verifique novamente a fi nte de alimentação.

#### VELOCIDADE E INSTALAÇÃO ELÉCTRICA

A velocidade sem carga deste produto é de aproximadamente 11 m/s. Esta velocidade não é constante e diminui durante uma carga ou com menor tensão. Para a voltagem, as ligações eléctricas numa oficina são tão importantes como a potência nominal de entrada do motor eléctrico. Um cabo de alimentação destinado unicamente para luzes não pode suportar um motor de uma ferramenta eléctrica. Um cabo com um calibre suficiente para uma distância curta será muito débil para uma maior distância. Um cabo de alimentação que pode suportar uma ferramenta eléctrica pode não ser suficiente para alimentar duas ou três ferramentas.





## Portugues (Tradução das instruções originais)

### INSTRUÇÕES DE LIGAÇÃO À TERRA

Este produto deve ter uma ligação à terra. Em caso de falha ou avaria, a ligação à terra fornece um caminho de menor resistência para a corrente eléctrica e reduz o risco de choque eléctrico. Este produto está equipado com um cabo eléctrico e possui um equipamento condutor e uma fi cha de ligação à terra. A fi cha deve ser inserida numa tomada correspondente devidamente instalada e com ligação à terra em conformidade com todos os códigos e regulamentos locais.

Não modifi que a fi cha fornecida. Se esta não se adequar à tomada, peça a um electricista qualifi cado que instale uma tomada apropriada. Faça reparar imediatamente um cabo danifi cado ou desgastado.

### RISCOS RESIDUAIS

Mesmo quando se utiliza o produto segundo as instruções, continua a ser impossível eliminar por completo certos fatores de risco residuais. Podem surgir os seguintes riscos durante o uso e o operador deve prestar especial atenção para evitar o seguinte:

- Ressalto das peças de trabalho e de partes das peças de trabalho devido a um ajuste ou manuseamento incorrecto.

- Danos no sistema respiratório.

**NOTA:** Use máscaras protetoras com filtros adequados para os materiais com que vai trabalhar. Assegure uma ventilação adequada do local de trabalho. Não coma, beba ou fume na área de trabalho.

- Danos para a audição caso não se utilize protecção auditiva eficaz.

### CONHEÇA O SEU PRODUTO

Ver figura 1.

O uso seguro deste produto requer uma compreensão da informação sobre o produto e deste manual de funcionamento, bem como um conhecimento do trabalho que vai realizar. Antes de utilizar a sua lixadeira, familiarize-se com todas as suas funcionalidades e especificidades no plano da segurança.

### MANÍPULO DE AJUSTE DE ÂNGULO

Incline a mesa da serra para corte de arestas.

### PROTECÇÃO DA LÂMINA

Proteja o operador de entrar em contacto com a lâmina.

### MANÍPULO DE AJUSTE DE GUIA DA LÂMINA

Utilize o manípulo de ajuste do guia da lâmina para ajustar o conjunto de guia da lâmina para cima e para baixo, e evite a rotação ou quebra da lâmina. Bloquee sempre o

conjunto de guia da lâmina no local antes de girar a serra de fita.

### GUIAS DE LÂMINA

As guias de lâmina superiores e inferiores ajudam a evitar que a lâmina rode durante o funcionamento.

### PORTA DE EXAUSTÃO DE POEIRA

Uma porta de escape da poeira de 53 mm (2-1/8") torne o corte sem poeira possível. Fixe um saco do lixo (não incluído) ou um saco de compras à porta de escape de poeira.

### PARAFUSO DE BLOQUEIO DE TAMPA

Permite que a tampa frontal seja aberta para realizar ajustes.

### MEDIDOR DE SERRA

Este indicador alinha a madeira para um corte universal. O indicador de fácil leitura apresenta o ângulo exacto para um corte em meia esquadra a 15°, 30°, 45° e 60°.

### ALAVANCA DE TENSÃO DA LÂMINA RAPIDSET™

Controla a tensão da lâmina na mudança de lâminas e na realização de ajustes para várias aplicações de serragem.

### LÂMINA DA SERRA

A serra vem com uma lâmina 6,35 mm (1/4") normal.

### MESA DE SERRAGEM COM PLACA DE GARGANTA

A sua serra de fita tem uma mesa de serragem com controlo de inclinação. A placa de garganta, instalada na mesa de serragem na fábrica, permite a libertação da lâmina.

### INDICADOR DE ESCALA E ESCALA

A escala e o indicador de escala apresentam o ângulo ou grau a que a mesa de serragem está inclinada para corte de arestas.

### ALAVANCA DE BLOQUEIO DE MESA

Desapertar a alavanca de bloqueio da mesa permite que a mesa de serragem incline a diferentes ângulos. Apertar a alavanca de bloqueio da mesa bloqueia a mesa de serragem no sítio.

### MAÇANETA DE ALINHAMENTO

Ajuste a monitorização para manter a lâmina centrada nas rodas.

### JANELA DE VISUALIZAÇÃO DE ACOMPANHAMENTO

A janela de visualização de acompanhamento facilita a visualização dos ajustes de acompanhamento.



## Portugues (Tradução das instruções originais)

### BASTÃO DE EMPURRAR

Utilize sempre o vara de pressão para empurrar a peça de trabalho até ser libertada da mesa.

#### LISTA DE PEÇAS SOLTAS

Descrição	Quant.
Anilhas	7
Alavanca de bloqueio de mesa	1
Chave hexagonal , 3 mm	1
Chave hexagonal , 4 mm	1
Chave hexagonal , 5 mm	1
Medidor de serra	1
Porcas de capa	4
Sapatas	4
Mesa de serrar	1
Pernos de bloqueio	2
Porcas sextavadas	2
Apoio da extensão	1
Protecção	1
Bastão de empurrar	1
Manual do operador	1

### MONTAGEM

#### RETIRADA DA EMBALAGEM

Este produto requer montagem.

- Levante cuidadosamente o produto da caixa de cartão e coloque-o numa superfície de trabalho.

#### **⚠ AVISO**

Não utilize este produto se quaisquer peças das Lista de Peças Soltas já se encontram montadas no seu produto quando o desembalar. As peças na lista não se encontram montadas ao produto pelo fabricante e requerem instalação por parte do cliente. A utilização de um produto que tenha sido indevidamente montado pode resultar em danos pessoais graves.

- Inspeccione a ferramenta cuidadosamente para se certificar que não ocorrem quebras ou danos durante a expedição.

**NOTA:** Esta serra foi expedida sem tensão de lâmina. Não ligue esta serra até a tensão da lâmina ter sido devidamente ajustada.

- Não elimine o material de embalagem até ter inspeccionado cuidadosamente e operado de forma satisfatória a ferramenta.
- Se existirem peças danificadas ou estiverem em falta, contacte o seu centro de apoio do cliente para assistência.

#### **⚠ AVISO**

Se estiverem em falta peças ou apresentarem danos, não coloque o produto em funcionamento até as peças serem substituídas. A utilização deste produto com peças danificadas ou em falta pode resultar em graves danos pessoais.

#### **⚠ AVISO**

Não tente modificar esta ferramenta ou criar acessórios não recomendados para utilizar com esta ferramenta. Quaisquer destas alterações ou modificações representam um uso indevido e pode resultar em condições perigosas ocasionando eventuais ferimentos graves pessoais.

#### **⚠ AVISO**

Não ligue a fonte de alimentação até a montagem estar completa. O incumprimento destas instruções pode resultar num arranque acidental e em possíveis danos pessoais graves.

#### MONTAGEM DO PRODUTO NA BANCADA

Se o produto for para ser utilizado numa localização permanente, deve ser montado numa superfície de apoio firme tal como uma bancada. São preparados quatro orifícios para parafusos na base da serra com esta finalidade. Os parafusos (não incluídos) deve ser de comprimento suficiente para acomodarem a base da serra, as arruelas de pressão (não incluídas), porcas sextavadas (não incluídas) e a espessura da bancada. Aperte todos os quatro parafusos de forma segura.

Verifique com cuidado a bancada após montagem para se certificar que não ocorre movimento durante a utilização. Se verificar inclinação, deslize ou deslocação, fixe a bancada ao chão antes de começar a trabalhar.

- Coloque o produto na bancada. Utilizando a base da serra como padrão, localize e marque os orifícios onde o produto é para ser montado.
- Perfure os orifícios através da bancada.
- Coloque a serra de fita na bancada alinhando os



## Portugues (Tradução das instruções originais)

orifícios na base da serra com os orifícios perfurados na bancada.

- Insira os parafusos (não incluídos) e aperte-os com firmeza com arruelas de pressão e porcas sextavadas (não incluídas).  
**NOTA:** todos os parafusos devem ser inseridos a partir do topo. Instale as arruelas de pressão e as porcas sextavadas pela parte inferior da bancada.

### GRAMPEAR O PRODUTO NA BANCADA

Ver figura 4.

Se o produto for para ser utilizado como ferramenta portátil, recomenda-se que o fixe permanentemente a um quadro de montagem que possa ser facilmente grampeado a uma bancada ou outra superfície de apoio. O quadro de montagem deve ser de tamanho suficiente para evitar inclinação da serra durante a utilização. Qualquer compensado ou aglomerado de boa qualidade com uma espessura de 19 mm (3/4") é recomendado.

Se forem utilizados parafusos retardadores, certifique-se de que são suficientemente longos para passarem através dos orifícios na base da serra e o material em que a serra está a ser montada. Se estiverem a ser utilizados parafusos de máquina, certifique-se de que são suficientemente longos para passarem pelos orifícios na base da serra, o material a ser montado e as arruelas de pressão e porcas sextavadas.

### NOTA: PODE SER NECESSÁRIO REBAIXAR PORCAS SEXTAVADAS E ARRUELAS NO LADO INFERIOR DO QUADRO DE MONTAGEM.

- Monte a serra utilizando orifícios na base da serra como modelo para o padrão de orifícios. Localize e marque os orifícios onde a serra de fita deve ser montada.
- Siga os últimos três passos na secção Montagem do produto na Bancada, acima apresentados.

### MONTAGEM DA MESA DE SERRAGEM

Veja as figuras 5, 7.

- Remova a porca (D) sextavada, arruelas e parafuso de orelhas na mesa de serragem.
- De frente para a serra de fita, faça deslizar a mesa de serragem passando a lâmina e através da ranhura deslocando-se do lado direito da mesa de serragem para o esquerda.
- Segurando a mesa de serragem com a sua mão esquerda enquanto retira o botão de ajuste de ângulo da moldura de serragem, alinhe os dentes no suporte da mesa de serragem nos dentes no botão de ajuste de ângulo. Liberte o botão.
- Encaixe os pinos nas ranhuras do suporte da mesa de serragem.

- Insira a arruela na extremidade roscada da alavanca de bloqueio da mesa. Aperte a mesa de serragem à moldura de serragem fazendo girar a alavanca de bloqueio da mesa para a direita.
- Fixe a porca (D) sextavada, arruelas e parafuso de orelhas à mesa de serragem.

**NOTA:** O parafuso de orelhas fica por debaixo da mesa de serragem.

### INSTALAÇÃO DE SUPORTE DE EXTENSÃO

Ver figura 6.

- Insirir os tubos do suporte de extensão nos orifícios da base da serra pela parte posterior.
- Alinhe os orifícios nos tubos e os da base de serragem.
- Insira os parafusos de bloqueio e aperte com arruelas e porcas sextavadas.

### ADEQUAR A MESA DE SERRAGEM À LÂMINA

Veja as figuras 8 até 9.

- Gire o manípulo de bloqueio para a esquerda para desbloquear o conjunto de guia da lâmina. Girando o manípulo de ajuste da guia da lâmina para a direita, eleve o conjunto de guia da lâmina tanto quanto possível. Gire o manípulo de bloqueio para a direita para voltar a apertar.
- Coloque um pequeno esquadro na mesa de serragem ao lado da lâmina.
- Desaperte a alavanca de bloqueio da mesa e rode o manípulo de ajuste do ângulo para inclinar a mesa de serragem para cima ou para baixo para alinhar a mesa a 90° à lâmina (posição 0°). Volte a apertar a alavanca de bloqueio da mesa.
- Gire o parafuso de ajuste até que o parafuso toque o compartimento da serra.
- Verifique a esquadria da mesa de serragem à lâmina. Faça reajustes se necessário.
- Defina o indicador de escala para zero e aperte o parafuso com uma chave phillips.

**NOTA: efetue sempre um teste de corte para se assegurar da esquadra da lâmina antes de iniciar qualquer projeto.** Se não estiver em esquadria, pode ser necessário desapertar os parafusos por debaixo da mesa de serragem para fazer o ajuste (a ranhura de serragem deve estar paralela à lâmina de serragem). Assim que estiver em esquadria, volte a apertar os parafusos.

### AJUSTE A TENSÃO DA LÂMINA

Veja as figuras 10-11.

- Desligue o produto.
- Antes de utilizar a serra de fita, gire o manípulo de tensão da lâmina no topo da serra para a direita para ganhar tensão.





## Portugues (Tradução das instruções originais)

- NOTA: os ajustes à tensão da lâmina podem ser feitos a qualquer altura.
- Retire a aresta reta posterior da lâmina da serra como uma corda de guitarra ao girar o manípulo de tensão.

O som torna-se estridente conforme a tensão aumenta. Nunca aumente a tensão da lâmina a um nível de aperto que comprima totalmente a mola. Quando totalmente comprimida, a mola deixe de conseguir atuar como amortecedor de choque.

Demasiada tensão pode causar a quebra da lâmina. As peças de trabalho mais grossas requerem mais tensão; não é necessária a tensão máxima para todos os cortes. Pouca tensão pode causar o deslizamento da lâmina nas rodas.

### MONITORIZAÇÃO DA LÂMINA

Ver figura 11.

Ajuste a tensão da lâmina devidamente antes de efetuar os ajustes de monitorização. Verifique se as guias da lâmina não interferem com a lâmina. A garganta da lâmina (a parte mais profunda do dente da lâmina) deve estar no centro do pneu.

#### Ajustar:

Desligue da alimentação. Abre as tampas frontais desparafusando o parafuso de bloqueio da tampa. Observe a posição da lâmina no pneu superior conforme, manualmente, gira lentamente a roda superior para a direita. Se a lâmina se deslocar do centro do pneu, a monitorização tem de ser ajustada.

#### Se a lâmina se deslocar para a esquerda ou direita do centro:

- Gire o manípulo de monitorização da lâmina (para a direita se a lâmina se tiver movido para a esquerda; para a esquerda se a lâmina se tiver movido para a direita) enquanto gira a roda manualmente até a lâmina recuar e ficar no centro do pneu.
- Verifique a posição da lâmina no pneu inferior. A lâmina deve encontrar-se totalmente no pneu (garganta dos dentes da lâmina no centro). Se não se verificar, ajuste a monitorização até a lâmina estar nos dois pneus.
- Faça girar a roda superior manualmente para a direita durante mais algumas voltas. Certifique-se de que a lâmina fica no mesmo local que os pneus. Reajuste, se necessário, até a lâmina estar devidamente monitorizada.
- Feche as tampas frontais e aperte o parafuso de bloqueio da tampa.
- Ligue o produto.
- Verifique se a lâmina da serra está centrada no pneu (através da janela de visualização de monitorização). Se não estiver centrada, repita os passos acima.

### ⚠ AVISO

As guias da lâmina foram configuradas na fábrica. Estas configurações são funcionais para algumas aplicações. Recomendamos que verifique e ajuste as definições de guia da lâmina antes da primeira utilização da sua serra. Consulte os procedimentos "Ajuste dos Rolamentos Axiais e Apoio de Guia de Lâmina" explicados na secção "Ajustes" deste manual de operador.

### INSTALAÇÃO DE PROTECÇÃO

- Coloque a protecção do lado esquerdo da mesa de serragem, com a pega de bloqueio à frente.
- Prima a pega de bloqueio para bloquear a posição da protecção.
- Gire a pega de bloqueio para ajustar o aperto dos grampos.

### OPERAÇÃO

### ⚠ AVISO

Não diminua a sua vigilância mesmo depois de se ter familiarizado com a ferramenta. Nunca se esqueça que basta um segundo de falta de atenção para se ferir gravemente.

### ⚠ AVISO

Use sempre protecção para os olhos. A falta de cumprimento desta instrução pode ocasionar a projecção de corpos estranhos para os olhos e provocar lesões oculares graves.

### ⚠ AVISO

Não utilize quaisquer equipamentos complementares ou acessórios não recomendados pelo fabricante deste produto. A utilização de peças ou acessórios não recomendados pode ocasionar riscos de ferimentos graves.

### ⚠ AVISO

Para evitar o contacto da lâmina, ajuste o conjunto de guia da lâmina para libertar a peça de trabalho. O não cumprimento desta instrução pode ocasionar ferimentos graves.





## Portugues (Tradução das instruções originais)

### AVISO

Nunca opere o produto sem a guarda da lâmina em segurança e as tampas frontais bloqueadas. Caso contrário, pode incorrer em danos pessoais graves.

### OPERAÇÃO BÁSICA DA SERRA DE FITA

Uma serra de fita é basicamente uma máquina de "corte curvo" que também pode ser utilizada para operações de corte de linha reta como o corte transversal, esquadria, biselamento, corte composto e desdobraimento de corte. Ao utilizar a serra de fita para corte de linha reta, o utilizador pode instalar uma protecção utilizando um pedaço de madeira da medida adequada grampeado à mesa com grampos "C". Não tem capacidade de realizar cortes interiores ou não-intermédios.

Antes de iniciar um corte, veja o funcionamento do produto. Se verificar excessiva vibração ou ruído não usual, pare imediatamente. Desative e desligue o produto. Não volte a ligar até localizar e corrigir o problema.

### PROCEDIMENTOS DE CORTE

- Agarre sempre a peça de trabalho com firmeza de encontro à mesa.
- Utilize pressão suave e as duas mãos quando colocar o trabalho na lâmina. Não force o trabalho; permita que a lâmina faça o corte.
- O círculo de diâmetro mais pequeno que pode ser cortado é determinado pela largura da lâmina. Uma lâmina com 6,35 mm (1/4") de largura vai cortar um diâmetro mínimo de 38 mm (1-1/2").
- Mantenha as mãos afastadas da lâmina. Não manuseie peças de tal forma pequenas que os seus dedos fiquem sob a guarda da lâmina.
- Evite operações e posições de mãos estranhas quando um deslize súbito pode causar danos sérios pelo contacto com a lâmina. Nunca coloque as mãos no caminho da lâmina.
- Utilize apoios extra (mesas, banco de carpintaria, blocos, etc.) ao cortar pedaços grandes, pequenos ou fora dos padrões normais.
- Nunca utilize uma pessoa como substituta de extensão da mesa ou como apoio adicional para uma peça de trabalho que seja mais comprida ou mais larga do que a mesa de serragem básica.
- No corte de peças de formas irregulares, planeie o seu trabalho de forma a que não interfira com a lâmina. Por exemplo, uma peça de modelagem deve ficar estendida na mesa de serragem. As peças de trabalho não devem ser torcidas, mexidas ou deslizadas ou serem cortadas.

Ao apoiar a peça, a lâmina pode obrigar o corte. É uma situação geralmente causada pela poeira da serragem bloqueando o corte ou pela lâmina estar fora das guias. Se tal acontecer:

- Desligue o produto. Aguarde até que a serra pare completamente. Desligue o produto da fonte de alimentação.
- Calce o corte aberto com uma chave de parafusos direita ou uma cunha de cadeira.
- Abra a tampa frontal e gire a roda superior manualmente enquanto mantém a peça de trabalho apoiada.

### CORTES DE ASSISTÊNCIA

Os cortes de assistência são realizados quando uma curva intrincada (demasiado pequeno o raio para a lâmina) é para ser efetuada. Corte através de uma secção de desperdício da peça de trabalho para curvar na linha de padrão e depois afaste cuidadosamente a lâmina. Devem ser realizados vários cortes de assistência para curvas intrincadas antes de seguir a linha de padrão como secções a serem cortadas da pressão da lâmina que presta "assistência" à curva.

### CORTE DE ROLAGEM

Para corte de deslocamento geral, siga as linhas de padrão pressionando e girando a peça de trabalho ao mesmo tempo. Não tente virar a peça de trabalho enquanto estiver ligada à lâmina sem a pressionar - a peça pode vincar ou torcer a lâmina.

### REMOVER MATERIAL OBRSTRUÍDO

Nunca remova peças cortadas que estão obstruídas até a lâmina parar por completo.

- Desligue o produto. Aguarde até que a serra pare completamente.
- Desligue o produto da fonte de alimentação antes de remover o material encravado.

### EVITE AS LESÕES

- Certifique-se de que a serra está nivelada e que não mexe. A serra deve estar sempre numa superfície firme, nivelada com espaço suficiente para manusear e apoiar devidamente a peça de trabalho.
- Aparafuse a serra à superfície de apoio para evitar o deslize, deslocamento ou escorregamento durante as operações como o corte de peças longas e pesadas.
- Desligue a serra e retire o cabo da fonte de alimentação antes de movimentar a serra.
- Não remova peças cortadas que estão obstruídas até a lâmina parar por completo.
- Escolha a medida e estilo de lâmina corretos para o material e o tipo de corte a realizar.







## Portugues (Tradução das instruções originais)

- Certifique-se de que os dentes da lâmina apontam para baixo no sentido da mesa de serragem, que as guias de lâminas, rolamentos axiais e a tensão da lâmina estão devidamente ajustados, que o manípulo guia da lâmina está apertado e que não existem peças com folga a mais.
- Para evitar contacto accidental da lâmina, minimize a quebra da lâmina, e faculte o máximo apoio à lâmina, ajustando sempre o conjunto de guia de lâmina para apenas libertar a peça.
- Utilize apenas acessórios recomendados.
- Com exceção para a peça de trabalho e os dispositivos de apoio relacionados, retire tudo da mesa de serragem antes de ligar a serra.
- Apoie devidamente os materiais redondos tais como hastes de cavilha ou tubagem porque têm uma tendência para rolar durante o corte causando "mordida" da lâmina. Para evitar essa situação, utilize sempre um bloco "V" ou grampeie a peça de trabalho a um indicador de serragem.
- Antes de remover as peças soltas da mesa de serragem, desligue a serra e aguarde para que todas as peças em movimento parem.

### LIGAR/DESLIGAR O PRODUTO.

Ver figura 12.

- Prima "I" para ligar o produto.
- Prima "O" para desligar o produto.

### ANTES DE DEIXAR O PRODUTO

Ver figura 12.

- Desligue o produto. Aguarde até que a serra pare completamente.
- Desligue o produto da fonte de alimentação.
- Torne a área de trabalho segura para as crianças.
- Liberte a tensão da lâmina da serra utilizando a alavanca de tensão da lâmina Rapidset™ para prolongar a vida da lâmina.
- Feche a área de trabalho.

### LIGAR/DESLIGAR A LUZ DE TRABALHO

Ver figura 13.

- Prima "☀" para ligar a luz de trabalho.
- Prima "O" para desligar a luz de trabalho.

### INCLINAÇÃO DA MESA

Ver figura 14.

- Desaperte o manípulo de bloqueio da mesa ligeiramente.
- Gire o manípulo de ajuste do ângulo, incline a mesa de serragem até que alcance o ângulo desejado.

- Utilizando o indicador de escala, verifique a marcação de ângulos.
- Volte a apertar o manípulo de bloqueio da mesa para manter a mesa de serragem em segurança no local.

### UTILIZAR O INDICADOR DE SERRAGEM

Veja as figuras 15 até 16.

O indicador de serragem pode ser definido a 60° no máximo para a direita ou esquerda.

- Solte o manípulo de bloqueio no indicador de serragem.
- Com o indicador de serragem na ranhura do indicador de serragem, rode o indicador até alcançar o ângulo desejado na escala de índice.
- Volte a apertar o manípulo de bloqueio.

### UTILIZAÇÃO DE PROTECÇÃO

A protecção é utilizada para todas as operações de corte. Nunca corte com as mãos livres sem a protecção no local e bloqueada em segurança.

- Posicione a protecção para a largura desejada com a peça e bloqueie no local.
- Antes de começar a cortar, certifique-se de que a protecção está paralela à lâmina da serra. Quando cortar pranchas longas ou grandes painéis, utilize sempre um suporte de trabalho.
- Segure a peça contra a protecção e faça-se seguir pela lâmina da serra com uma pressão suave e firme.

## AJUSTES

### ⚠ AVISO

Antes de realizar qualquer ajuste, certifique-se de que a ferramenta está desligada da fonte de alimentação e que o interruptor está na posição off. A inobservância deste aviso pode resultar em graves ferimentos pessoais.

### ⚠ AVISO

Para evitar danos pessoais, mantenha o ajuste adequado da tensão da lâmina, monitorização da lâmina, guias da lâmina e rolamentos axiais.

### INSTALAÇÃO E AJUSTE DA LÂMINA

Ver figura 17.

- Desperte e remova o parafuso de orelas, as arruelas, e a porca-D da mesa de serragem.
- Abra as tampas frontais desaparafusando o parafuso





## Portugues (Tradução das instruções originais)

de bloqueio da tampa.

- Gire o manípulo de bloqueio para a esquerda para desbloquear o conjunto de guia da lâmina. Girando o manípulo guia da lâmina (para a direita eleva o conjunto de guia da lâmina; para a esquerda desce-o), posicione o conjunto de guia da lâmina a meio entre a mesa de serragem e o compartimento de serragem. Volte a apertar o manípulo de bloqueio.
- Abra a protecção da lâmina puxando a parte esquerda da guarda e afastando da roda.
- Liberte toda a tensão da lâmina da lâmina.
- Remova cuidadosamente a lâmina antiga.
- Utilizando luvas, desenrole cuidadosamente a nova lâmina ao comprimento dos braços. Se a nova lâmina tiver sido oleada para evitar a ferrugem, poderá ser necessário ser limpa para retirar o óleo da sua peça de trabalho. Limpe com cuidado na mesma direcção de que os dentes estão a apontar para que o pano não apanhe os dentes da lâmina da serra.

**NOTA:** Pode haver necessidade de virar a lâmina se os dentes estiverem a apontar na direcção contrária. Segure a lâmina com as duas mãos e rode-a para dentro.

- Com os dentes da lâmina para a esquerda da serra e virados para baixo, coloque a lâmina através das guias da lâmina inferior e à volta de ambas as rodas.
- Lentamente gire a roda superior para a direita manualmente para o centro da lâmina nos pneus de borracha.
- Volte a posicionar a alavanca de tensão da lâmina RapidSet™ e ajuste então a tensão da lâmina; verifique ou ajuste o acompanhamento da lâmina.
- Ajuste os guias da lâmina superior e inferior e os rolamentos axiais conforme explicado posteriormente neste Manual do Operador.
- Volte a fixar o parafuso de orelhas, arruelas e porca (d) sextavada. Aperte com segurança.
- Feche a guarda da lâmina e a protecção frontal. Aperte o parafuso de bloqueio da tampa.

### AJUSTE O CONJUNTO DE GUIA DE LÂMINA

*Veja as figuras 18 até 19.*

Para evitar que a lâmina torça ou se parta, o conjunto de guia da lâmina deve estar sempre a aproximadamente 3,2 mm (1/8") acima da peça de trabalho.

- Gire o manípulo de bloqueio para a esquerda para desbloquear o conjunto de guia da lâmina.
- Como guia, utilize uma peça de desperdício da mesma madeira que está prestes a cortar para definir a altura do conjunto de guia da lâmina. Ajuste o conjunto de guia da lâmina girando o manípulo de guia da lâmina.
- Bloqueie o conjunto do guia da lâmina no local girando o manípulo de bloqueio para a direita.

- Bloqueie sempre o conjunto de guia da lâmina no local antes de girar a serra de fita.

### AJUSTE O APOIO DO GUIA DA LÂMINA E OS ROLAMENTOS AXIAIS

*Veja as figuras 20 até 21.*

**NOTA:** Aperte o manípulo de bloqueio e consulte os procedimentos de "Ajuste de Tensão da Lâmina" e "Monitorização da Lâmina" explicados na secção MONTAGEM deste manual de operador antes de fazer ajustes.

Os apoios e suportes dos rolamentos axiais de lâmina inferior e superior guiam a lâmina da serra durante as operações de corte. O ajuste de rolamentos e guias deve ser verificado sempre que é instalada uma lâmina diferente.

#### Para ajustar rolamentos axiais:

Os rolamentos axiais apoiam a aresta posterior da lâmina durante o corte. A lâmina não deve contactar com os rolamentos axiais quando para de cortar. É importante que tanto os rolamentos axiais superior e inferior sejam ajustados de forma igual.

- Abra as tampas frontais e a protecção da lâmina.
- Utilizando uma chave hexagonal, desaperte os parafusos do rolamento axial inferior e superior e empurre os rolamentos axiais para a parte posterior da serra.
- Verifique se a lâmina da serra está a acompanhar devidamente, depois faça deslizar o rolamento axial até o rolamento estar a 0,4 mm (1/64") da lâmina. Aperte o parafuso do rolamento axial de forma segura.
- Faça deslizar o rolamento inferior para a frente até ter folga adequada. Aperte o parafuso do rolamento axial de forma segura.

#### Para ajustar uma guia de lâmina:

- Desaperte o apoio de guia da lâmina e os parafusos do conjunto de guia da lâmina utilizando chaves hexagonais.
- Faça deslizar o apoio de guia de lâmina superior no eixo até a aresta frontal das guias contactar com a lâmina da serra por detrás da garganta. Aperte o parafuso de forma segura.
- Empurre o guia direito para entrar em contacto com a lâmina e liberte. Rode lentamente a roda numa rotação total. Aperte os parafusos de configuração de guia da lâmina.
- Ajuste o guia lateral esquerdo para permitir uma folga de 0,4 mm (1/64") entre a lâmina e a guia (aproximadamente a espessura de uma carta de jogar) inserindo um cartão entre a guia esquerda e a lâmina.





## Portugues (Tradução das instruções originais)

- Aplique pressão no pino de guia esquerdo para manter o cartão no local. Aperte o parafuso do conjunto e remova o cartão.
  - Roda, manualmente, três rotações completas para se certificar de que a lâmina não dobra.
  - Feche a guarda da lâmina e a protecção frontal. Bloqueie com parafuso.
- Repita este procedimento com o apoio de guia interior.

### AJUSTE DE PROTECÇÃO

- Desaperte a pega de bloqueio girando-a para a esquerda.
- Desloque a protecção para a posição desejada.
- Prima a pega de bloqueio para bloquear a posição da protecção.
- Gire a pega de bloqueio para ajustar o aperto dos grampos.

### MANUTENÇÃO

**⚠ AVISO**

Ao realizar serviços de manutenção, use apenas peças de substituição idênticas. O uso de quaisquer outras peças pode criar perigo ou causar danos ao aparelho.

**⚠ AVISO**

Utilize sempre protecção ocular durante a operação do produto. Caso a operação seja poeirenta, use também uma máscara contra o pó.

**⚠ AVISO**

Antes de realizar qualquer manutenção, certifique-se de que a ferramenta está desligada da fonte de alimentação e que o interruptor está na posição off. A inobservância deste aviso pode resultar em graves ferimentos pessoais.

### MANUTENÇÃO GERAL

Evite usar solventes ao limpar as peças de plástico. A maioria dos plásticos são susceptíveis a danos de vários tipos de solvente comerciais e podem ser danificados pela sua utilização. Use panos limpos para remover a sujidade, a poeira, o óleo, a gordura, etc.

### ⚠ AVISO

Nunca, em qualquer momento, deixe que fluidos de travagem, gasolina, produtos petrolíferos, óleos de perfuração, etc., entrem em contacto com as peças de plástico. Estes produtos químicos contêm substâncias que podem danificar, deteriorar ou destruir o plástico, o que poderia provocar ferimentos graves.

- Mantenha o produto limpo.
- Remova a poeira da serragem do interior frequentemente.
- Não deixe que se acumule resina na mesa de serragem, guias de lâmina ou rolamentos axiais. Limpe com borracha e um removedor de resina.
- Aplique uma fina camada de cera de tipo automóvel no tampo da mesa de serragem para que a madeira deslize mais facilmente durante o corte.

### Lubrificação

Todos os rolamentos desta ferramenta estão lubrificados com um montante suficiente de lubrificante de elevado nível, de acordo com a duração de vida da unidade em condições normais de funcionamento. Por conseguinte, não requer nenhuma lubrificação suplementar.

### PNEUS

#### Limpeza de pneus:

- A resina e a serradura acumulam-se nos pneus e é necessário removê-las com uma escova de arame fino ou um pedaço de madeira. **Não utilize uma faca afiada ou qualquer tipo de solvente.**

#### Substituição de pneus:

- Abra a tampa frontal e remova a lâmina de serragem. Consulte a secção sobre Instalação e Ajuste da lâmina
- Retire o pneu desgastado da roda cuidadosamente.
- Estique o novo pneu à volta da roda.
- Substitua a lâmina da serra e feche a tampa frontal.

### ESCOVA

Ver figura 22.

Existe uma escova localizada dentro do compartimento da serra ao lado da roda. Ajuda a proteger o pneu e a roda escovando a serradura. Conforme a escova se vai tornando desgastada, necessita de ser ajustada ou substituída.

- Remova o parafuso e a arruela e depois puxe a escova para fora.
- Coloque a nova escova na ranhura.



## Portugues (Tradução das instruções originais)

- Reinstale a arruela e o parafuso.

### TRANSPORTE E ARMAZENAMENTO

Veja as figuras 23 até 24.

- Quando transportar o produto, desligue o cabo de alimentação, baixe a guarda da lâmina e desmonte o produto. Guarde a vara de pressão na parte lateral do compartimento superior. Eleve o produto pelo compartimento superior conforme apresentado. Guarde o produto num local seguro que não seja acessível às crianças.
- Limpe o produto com uma escova e um aspirador antes do seu armazenamento.

### PROTECÇÃO DO AMBIENTE



Recicle os materiais em vez de pô-los directamente no lixo doméstico. Para proteger o ambiente, a ferramenta, os acessórios e as embalagens devem ser seleccionados.

### SÍMBOLO



Alerta de segurança



Conformidade CE



Por favor, leia atentamente as instruções antes de acender o produto.



Use protecção para os olhos



Use protecção para os ouvidos



PERIGO! Lâmina afiada.



Bloqueio



Abrir



Profundidade máxima de corte



Largura máxima de corte



Ângulo máximo de corte



Velocidade de funcionamento



Tamanho da lâmina



A ferramenta tem de ser desligada da alimentação antes da manutenção.



Os aparelhos eléctricos antigos não devem ser eliminados juntamente com o lixo doméstico. Recicle onde existem instalações para o efeito. Verifique com as suas Autoridades Locais ou revendedor para obter informações sobre reciclagem.



## Portugues (Tradução das instruções originais)

### RESOLUÇÃO DE PROBLEMAS

Problema	Possível causa	Solução
O motor não funciona	<ol style="list-style-type: none"> <li>1. Problemas com o interruptor ON/OFF ou o cabo de alimentação.</li> <li>2. Avaria no motor.</li> <li>3. Lâmina está amarrada.</li> </ol>	<ol style="list-style-type: none"> <li>1. Substitua as peças desgastadas antes de voltar a utilizar o produto.</li> <li>2. Não tente realizar qualquer reparação. Leve a sua ferramenta para ser reparado por uma pessoa qualificada.</li> <li>3. Remova material obstruído</li> </ol>
A lâmina não funciona no centro aproximado da roda superior.	<ol style="list-style-type: none"> <li>1. Não está a acompanhar devidamente.</li> </ol>	<ol style="list-style-type: none"> <li>1. Ajuste o acompanhamento, consulte a secção AJUSTES, "Acompanhamento da Lâmina".</li> <li>2. Se se danificar, envie imediatamente a um técnico qualificado.</li> </ol>
A serra de fita abranda durante o corte.	<ol style="list-style-type: none"> <li>1. Corte demasiado pequeno do raio.</li> <li>2. Lâmina imprecisa.</li> </ol>	<ol style="list-style-type: none"> <li>1. Pare a colocação e retire o material de corte ligeiramente até a serra de fita acelerar.</li> <li>2. Substitua a lâmina.</li> </ol>
Lâmina quebrada.	<ol style="list-style-type: none"> <li>1. Demasiada tensão na lâmina.</li> <li>2. Dobra na lâmina causada pelo corte de raio demasiado pequeno ou por rodar o material demasiado depressa durante o corte.</li> <li>3. Rolamentos axiais marcados ou sem rotação.</li> </ol>	<ol style="list-style-type: none"> <li>1. Ajustar tensão. Consultar a secção AJUSTES, "Ajuste da Tensão da Lâmina".</li> <li>2. Utilize técnica de corte correta. Consultar a secção de Funcionamento.</li> <li>3. Substitua os rolamentos axiais.</li> </ol>
o produto é muito barulhento durante o seu funcionamento.	<ol style="list-style-type: none"> <li>1. Demasiada tensão na lâmina.</li> <li>2. Guias da lâmina e rolamentos estão em contacto com a lâmina.</li> </ol>	<ol style="list-style-type: none"> <li>1. Ajustar tensão. Consultar a secção AJUSTES, "Ajuste da Tensão da Lâmina".</li> <li>2. Ajuste rolamentos e guias de lâmina inferiores e superiores. Consultar secções "AJUSTES", "Ajustar Rolamentos Axiais e Apoio Guia de Lâmina".</li> </ol>
A lâmina não corta a direito.	<ol style="list-style-type: none"> <li>1. Guias de lâmina e rolamentos não devidamente ajustados.</li> <li>2. Lâmina desgastada ou com defeito.</li> </ol>	<ol style="list-style-type: none"> <li>1. Ajuste rolamentos e guias de lâmina inferiores e superiores. Consultar secções "AJUSTES", "Ajustar Rolamentos Axiais e Apoio Guia de Lâmina".</li> <li>2. Substitua a lâmina.</li> </ol>
As guias da lâmina não estão em posição.	<ol style="list-style-type: none"> <li>1. Parafusos de guia de lâmina estão desapertados.</li> </ol>	<ol style="list-style-type: none"> <li>1. Aperte os parafusos de guia da lâmina de forma segura.</li> </ol>
O motor funciona mas a lâmina não gira	<ol style="list-style-type: none"> <li>1. A tensão não está devidamente definida.</li> <li>2. Correia de transmissão partida.</li> </ol>	<ol style="list-style-type: none"> <li>1. Utilize alavanca de tensão da lâmina para definir tensão.</li> <li>2. Se se danificar, envie imediatamente a um técnico qualificado.</li> </ol>





## Dansk (Oversættelse fra original brugsanvisning)

### BESKRIVELSE

- |  |                                     |
|--|-------------------------------------|
| 1. Knap til spænding af klingen                | 53. Lås                             |
| 2. Låseskrue til dæksel                        | 54. Trykleje                        |
| 3. Skuevindue                                  | 55. Tryklejeskrue                   |
| 4. Arbejdslys                                  | 56. Støtteskrue til klingestyr      |
| 5. Klingeskærm                                 | 57. Støtte til øverste klingestyr   |
| 6. Savklinge                                   | 58. Klingestyr                      |
| 7. Geringsmålør                                | 59. Indstillingskrue til klingestyr |
| 8. Støvdgangsport                              | 60. Skrue til klingestyr            |
| 9. Skalaindikator                              | 61. Støtte til nederste klingestyr  |
| 10. Justeringsknap til vinkel                  | 62. Børste                          |
| 11. Skala                                      | 63. Spændeskive                     |
| 12. Håndtag til bordlås                        | 64. Skruer                          |
| 13. Låseknap                                   | 65. Løbering                        |
| 14. Justeringsknap til klingestyr              |                                     |
| 15. Håndtag til spænding af klingen            |                                     |
| 16. Forplade                                   |                                     |
| 17. Sporingsknap                               |                                     |
| 18. Tænd/Sluk-kontakt                          |                                     |
| 19. Savbord                                    |                                     |
| 20. Nederste frontpanel                        |                                     |
| 21. Øverste frontpanel                         |                                     |
| 22. Styrefa-skærmning                          |                                     |
| 23. Kontakt til arbejdslys                     |                                     |
| 24. Skubbepind                                 |                                     |
| 25. Stjerneskrue-trækker (medfølger ikke)      |                                     |
| 26. Svensknøgle (medfølger ikke)               |                                     |
| 27. Lille kombinationskvadrat (medfølger ikke) |                                     |
| 28. Sekskantnøgle , 3 mm                       |                                     |
| 29. Sekskantnøgle , 4 mm                       |                                     |
| 30. Sekskantnøgle , 5 mm                       |                                     |
| 31. Spændeskive                                |                                     |
| 32. Topmøtrikker                               |                                     |
| 33. Spændskiver                                |                                     |
| 34. Fod  |                                     |
| 35. Låsebolte                                  |                                     |
| 36. Sekskantmøtrikker                          |                                     |
| 37. Støtteforlænger                            |                                     |
| 38. Huller i savbase                           |                                     |
| 39. D-møtrik                                   |                                     |
| 40. Vingeskrue                                 |                                     |
| 41. Savbordbeslag                              |                                     |
| 42. Klingestyrsenhed                           |                                     |
| 43. Justeringsbolt                             |                                     |
| 44. Til at reducere spænding                   |                                     |
| 45. Til at øge spænding                        |                                     |
| 46. Låseknap                                   |                                     |
| 47. Geringsmåløråbning                         |                                     |
| 48. Stjerneskruer                              |                                     |
| 49. Øvre hjul                                  |                                     |
| 50. Nedre klingestyr                           |                                     |
| 51. Nedre hjul                                 |                                     |
| 52. Oplås                                      |                                     |





## Dansk (Oversættelse fra original brugsanvisning)

Ved udformningen af din båndsav har vi givet topprioritet til sikkerhed, gode resultater og driftssikkerhed.

### TILTÆNKET ANVENDELSESFORMÅL

Båndsavnen er beregnet til lige skæring, mønsterskæring og cirkelskæring i træ og træprodukter.

Produktet er kun beregnet til at blive brugt af voksne, som har læst brugsanvisningen og forstået de involverede risici og farer.

Saven skal bruges under tørre forhold, med perfekt omgivende belysning og tilstrækkelig ventilation.

Produktet er beregnet til privat brug og må kun bruges som beskrevet ovenfor og ikke til noget andet formål.

### GENERELLE SIKKERHEDSADVARSLER

#### ADVARSEL

Ved brug af elværktøjer bør man altid følge de grundlæggende sikkerhedsregler for at reducere risikoen for brand, elektrisk stød og personskade. Læs hele brugsanvisningen, inden du forsøger at betjene dette produkt - og gem brugsanvisningen.

- **Hold arbejdsområdet rent og ryddeligt.** Rodede områder og borde inviterer til personskader.
- **Vær opmærksom på miljøet i arbejdsområdet.** Undgå at udsætte værktøjer for regn. Brug ikke værktøjer på fugtige eller våde steder. Arbejdsområdet skal være godt oplyst. Brug ikke værktøjer i nærheden af brændbare væsker eller gasser.
- **Beskyt dig mod elektrisk stød.** Undgå kropskontakt med jordele eller stelforbundne overflader (fx rør, radiatorer, komfurer og køleskabe).
- **Hold andre personer på afstand.** Lad ikke personer, især børn, deltage i arbejde, røre ved værktøjet eller forlængerledningen, og sørg for at holde dem ude af arbejdsområdet.
- **Opbevar ubenyttede værktøjer.** Når værktøjer ikke bruges, skal de opbevares på et tørt, aflåst sted utilgængeligt for børn.
- **Undlad at tvinge værktøjet.** Produktet klarer opgaven bedre og sikrere med den hastighed, det er beregnet til.
- **Brug det rigtige værktøj.** Undlad at tvinge mindre værktøjer til at udføre arbejdsopgaver, der kræver værktøjer. Undlad at bruge værktøj til ikke-formålsbestemte opgaver; brug fx ikke en rundsav til at skære i grene eller træstammer.
- **Vær ordentligt klædt på.** Undlad at bære løstsiddende tøj eller smykker; sådanne kan hænge

fast i bevægelige maskindele. Ved arbejde udendørs anbefales brug af skridsikket fodtøj. Brug beskyttende hånet eller lign. til sikring af langt hår.

- **Brug værnemidler.** Brug sikkerhedsbriller. Brug ansigts- eller støvmaske, hvis arbejdsopgaven genererer støv.
- **Tilslut støvudsugningsudstyr.** Hvis værktøjet er beregnet til tilslutning af støvudsugnings- og -opsamlingsudstyr, skal dette tilsluttes og anvendes korrekt.
- **Undlad at misbruge ledningen.** Træk aldrig stikket ud af stikkontakten ved at rykke i ledningen. Hold ledningen på afstand af varme, olie og skarpe kanter.
- **Fastgør emnet.** Brug så vidt muligt skruevinge eller skruestik til fastholdning af emnet. Det er sikrere end at bruge hånden.
- **Læn dig aldrig for langt frem.** Sørg for altid at have godt fodfæste og god balance.
- **Værktøjer skal vedligeholdes med omhu.** Skæreværktøjerne skal holdes skarpe og rene for bedre og sikrere ydelse. Følg vejledningen for smøring og udskiftning af tilbehørsdele. Inspicér værktøjsledningerne regelmæssigt, og - hvis de beskadiges - få dem repareret på et autoriseret serviceværksted. Inspicér forlængerledningerne regelmæssigt, og udskift dem, hvis de beskadiges. Hold håndtagene tørre, rene og fri for olie og fedt.
- **Afbryd strømmen til værktøjerne.** Når værktøjet ikke bruges, inden det serviceres, og når der skiftes tilbehør som fx knive, bits og fræsere, skal strømforsyningen afbrydes til værktøjet.
- **Fjern svensknøgler og faste nøgler.** Gør det til en vane at kontrollere, at faste nøgler og svensknøgler er fjernet fra værktøjet, inden der tændes for det.
- **Undgå utilsigtet start.** Kontrollér, at kontakten er i pos. "off" (=slukket), inden stikket sættes i kontakten.
- **Brug udendørs forlængerledninger.** Når værktøjet bruges udendørs, må der kun bruges forlængerledninger, der er beregnet (og mærket) til udendørs brug.
- **Vær agtpagivende.** Vær opmærksom på, hvad du gør, brug sund fornuft, og anvend ikke værktøjet, hvis du er træt.
- **Kontrollér beskadigede dele.** Inden værktøjet tages i brug, skal man undersøge det nøje for at sikre sig, at det fungerer korrekt og er i stand til at opfylde den tiltænkte funktion. Kontrollér, at de bevægelige dele er indjusteret korrekt, at de ikke binder; for brud på dele, montering samt enhver anden tilstand, der kan påvirke delenes funktion. En beskadiget skærm eller anden del skal repareret ordentligt eller udskiftes på et autoriseret servicecenter, med mindre andet fremgår af denne brugsanvisning. Få defekte kontakter





## Dansk (Oversættelse fra original brugsanvisning)

udskiftet på et autoriseret servicecenter. Værktøjet må ikke tages i brug, hvis TÆND/SLUK-kontakten ikke virker.

- **Advarsel.** Brug af udstyr eller tilbehør, som ikke er anbefalet i denne brugsanvisning, kan medføre fare for personskader.
- **Få kun værktøjet repareret af en kvalificeret person.** Dette elværktøj opfylder alle relevante sikkerhedsregler. Reparationer må kun udføres af kvalificerede personer og med originale reservedele; ellers kan der opstå betydelige risici for brugeren.

### SIKKERHEDSADVARSLER OM BÅNDSAV

- **Spænd eller bolt saven sikkert fast til en arbejdsbænk eller et stativ med ben i cirka hofteøjde.**
- **Betjen aldrig produktet på gulvet.**
- **Undgå akavede operationer og håndstillinger, hvor en pludselig smutter kan bevirke, at hånden føres ind i klingens.** Sørg altid for at være i god balance.
- **Lad motoren komme op i fuld hastighed, før du begynder at skære for at undgå, at klingens binder eller sætter sig fast.**
- **Brug ikke værktøjet, hvis Tænd/Sluk-kontakten ikke virker.** Få defekte kontakter udskiftet på et autoriseret servicecenter.
- **Reservedele.** Alle reparationer, uanset om de er elektriske eller mekaniske, skal udføres af en kvalificeret servicetekniker på et godkendt servicecenter.
- **I forbindelse med servicearbejde må der kun bruges originale reservedele.** Brug af alternative dele kan forårsage farlige situationer eller ødelægge produktet.
- **Hold hænderne på afstand af skæreoområdet.** Hold ikke stykker i hånden, der er så små, at dine fingre kan komme ind under klingefafsærmningen. Ræk aldrig nogen sinde hånden eller fingrene ind under emnet eller ind i klingens skærebane.
- **Skær aldrig mere end ét stykke ad gangen.** Du må heller aldrig stable mere end et arbejdsemne på savbordet ad gangen.
- **Indfør ikke materialet for hurtigt.** Forcer ikke arbejdsemnet mod klingens.
- **Brug kun korrekte klinger.** Anvend den rigtige klingestørrelse og klingestil for materialet og skæretypen. Klingens tænder skal pege nedad mod bordet.
- **Understøt altid store arbejdsemner, mens du skærer for at minimere risikoen for at klemme klingens eller for tilbageslag.** Saven kan smutte,

vandre eller glide, når du skærer i store eller tunge træplader.

- **Fjern ikke fastklemte afskærne stykker, indtil klingens er standset.**
- **Anvend ikke savbånd, som er beskadigede eller deformede.**
- **Udskift en slidt bordindsats.**
- **Ved savning i træ skal savnen sluttes til et støvopsamlingsystem.**
- **Undlad at betjene produktet, når afskærmningsbeskyttelsen på savbåndet er åbent.**
- **Vælg savbånd og hastighed ud af det materiale, der skal skæres.**
- **Rengør ikke savbåndet, mens det er i bevægelse.**
- **Brug handsker, når du håndterer savbåndet og groft materiale.**
- **Anvend en skubbepind, når du skærer lige i små arbejdsstykker ved hjælp af afskærmningen.**
- **Transportér produktet med båndafskærmningen helt nede og tæt på bordet.**
- **Placer afskærmningen på den nederste del af bordet, når du facetskærer vinklet bord.**
- **Anvend en passende holdeenhed, når du skærer i rundt eller uregelmæssigt formet træ for at undgå, at arbejdsstykket drejer.**
- **Anvend ikke styr til håndtering eller transport**
- **Juster den justerbare afskærmning så tæt ind på arbejdsstykket, som det er praktisk muligt.**
- **Rør aldrig ved klingens eller andre bevægelige dele under brug.**
- **Før du ændrer opsætningen og fjerner dæksler, afskærmninger eller klinger, skal du trække savnen ud af strømkilden.**
- **Hold altid arbejdsemnet fast mod bordet.**
- **For at undgå uønsket kontakt med klingens skal du minimere risikoen for brud på klingens og give maksimal støtte til klingens.** Juster altid klingestyrssamlingen, så den lige går fri af arbejdsemnet.
- **Sørg for, at klingerne er rene, skarpe og korrekt indstillet.** Skarpe klinger reducerer blokering og tilbageslag.
- **Husk altid at slukke savnen, inden strømmen afbrydes; herved forebygges utilsigtet start af savnen, når strømmen tilsluttes igen.**
- **Inden arbejdet med savnen påbegyndes, kontrolleres det, at arbejdsområdet er godt oplyst, så emnet er synligt, og at der ikke findes forhindringer, der kan forstyrre sikker betjening.**
- **Klingestyrene er blevet indstillet på forhånd**







## Dansk (Oversættelse fra original brugsanvisning)

på fabrikken. Disse indstillinger er funktionelle for visse anvendelser. Vi anbefaler, at du kontrollerer og justerer indstillingerne for klingestyrene, før du anvender saven for første gang. Der henvises til procedurerne "Justering af tryklejer og støtte af klingestyr", der er beskrevet i afsnittet JUSTERINGER i betjeningsvejledningen.

- **Undlad at bruge værktøjet til at skære i metal.**
- **Dette værktøj skal have følgende mærker:**
  - Benyt øjenværn
  - Hold hænderne på afstand af klingens.
  - Fjern ikke fastklemte eller afskårne stykker, indtil klingerne er standset.
  - Sørg for, at klingens er monteret med tænderne, så de peger nedad.
  - Oprethold korrekt justering af klingspænding, klingestyr og tryklejer.
  - Juster det øverste styr, så det lige går fri af arbejdsemnet.
  - Hold arbejdsemnet sikkert fast mod bordet, når du skærer.
- **Hvis strømforsyningskablet beskadiges, skal det udskiftes af producenten eller på et autoriseret servicecenter for at undgå risici.**
- **Gem denne brugsanvisning.** Slå hyppigt op i den, og brug den til at instruere andre. Hvis man låner dette værktøj ud, skal brugsanvisningen følge med.

### ELEKTRICITET

#### FORLÆNGERLEDNINGER

Brug kun 3-leder-forlængelsesledninger med 3-benede jordstik, og 3-polede stikkontakter der passer til produktets hanstik. Når der arbejdes med et elværktøj på betragtelig afstand af strømkilden, skal der bruges en forlængerledning, som er kraftig nok til føddning af den nødvendige strømstyrke. En underdimensioneret forlængerledning vil bevirke et fald i ledningsspændingen med heraf følgende effekttab og overophedning af motoren.

Før du anvender en forlængerledning, skal du efterse den for løse eller eksponerede ledninger og ødelagt eller slidt isolering.

#### **▲ ADVARSEL**

Hold forlængerledningen væk fra arbejdsområdet. Træk ledningen således, at den ikke kan hænge fast i skrammel, værktøj eller andre forhindringer under arbejdet med elværktøjet. Gør man ikke det, er der fare for alvorlig personskader.

#### **▲ ADVARSEL**

Kontrollér forlængerledninger inden brug. Beskadigede ledninger skal udskiftes omgående. Brug aldrig værktøj med beskadiget ledning, da kontakt med det beskadigede område kan give elektrisk stød med alvorlig personskade til følge.

#### ELEKTRISK TILSLUTNING

Dette produkt drives af en præcisionsbygget elmotor. Den må kun sluttes til en strømforsyningskilde på 220~240V, AC (normal husholdningsstrøm), 50 Hz. Dette produkt må ikke betjenes med jævnstrøm (DC). Et betydeligt spændingsfald vil bevirke effekttab og overophedning af motoren. Hvis produktet ikke vil starte, når det sættes i en lysnetkontakt, skal man dobbelttjekke strømforsyningen.

#### HASTIGHED OG LEDNINGSFORBINDELSER

Dette produkts hastighed uden belastning er ca. 11 m/s. Denne hastighed er ikke konstant og aftager under belastning eller ved lavere spænding. Ledningsføringen i et værksted lige så vigtig for spændingen som motorens nominelle indgangseffekt. En ledning, der kun er beregnet til forsyning af lamper, vil ikke kunne trække en elværktøjsmotor ordentligt. En ledning, som er kraftig nok over en kort afstand, vil være for spinkel over en større afstand. En ledning, der kan forsyne ét elektrisk værktøj, er ikke nødvendigvis i stand til at forsyne to eller tre værktøjer.

#### JORDINGSVEJLEDNING

Dette produkt skal jordes. I tilfælde af driftsforstyrrelser eller motorsammenbrud tilvejebringer jordingen en sti med mindst modstand for elektrisk strøm for at begrænse risikoen for elektrisk stød. Dette produkt har en elledning med en apparat-jordleder og et jordstik. Stikket skal sættes i en passende lysnetkontakt, som er korrekt installeret og jordet iht.

Det leverede stik må ikke ændres. Hvis stikket ikke passer til lysnetkontakten, skal man få en elektriker til at installere en passende kontakt. alle gældende lokale regler og forskrifter. En beskadiget eller slidt ledning skal repareres eller udskiftes omgående.

#### UUNDGÅELIGE RISICI

Selv om produktet anvendes som foreskrevet, er det stadig umuligt at eliminere visse uundgåelige risikofaktorer fuldstændigt. Følgende risici kan opstå under brug, og operatøren bør være særligt opmærksom for at undgå følgende:

- Tilbageslag ("kick-back") af emner og dele heraf pga. ukorrekt indstilling eller håndtering.
- Fare for skader på åndedrætsorganerne.



## Dansk (Oversættelse fra original brugsanvisning)

**BEMÆRK:** Benyt åndedrætsværn med filtre, der svarer til det materiale, der arbejdes med. Sørg for tilstrækkelig ventilation på arbejdspladsen. Undlad at spise, drikke eller ryge i arbejdsområdet.

- Skader på hørelse ved manglende brug af effektivt høreværn.

### KEND PRODUKTET

Se figur 1.

Sikker brug af dette produkt kræver forståelse af informationerne på produktet og i denne brugsanvisning samt kendskab til den forestående arbejdsopgave. Inden værktøjet tages i brug, er det vigtigt at sætte sig ind i virkemåden og de sikkerhedsmæssige specifikationer.

### JUSTERINGSKNAP TIL VINKEL

Vinkler savbordet til facetskæring.

### KLINGESKÆRM

Beskytter operatøren mod at komme i kontakt med klingens.

### JUSTERINGSKNAP TIL KLINGESTYR

Anvend justeringsknappen til klingestyr til at justere klingestyrssamlingen op og ned og for at forhindre klingens i at dreje eller brække. Lås altid klingestyrssamlingen på plads, før du tænder båndsavens.

### KLINGESTYR

Øvre og nedre klingestyr hjælper med at forhindre, at klingens drejer under betjening.

### STØVUDGANGSPORT

Støvudgangsporten på 53 mm gør det muligt at skære helt uden støv. Fastgør en støvpose (medfølger ikke) eller en værktødsstøvsuger til støvudgangsporten.

### LÅSESKRUE TIL DÆKSEL

Gør det muligt at åbne frontdækslet for at foretage justeringer.

### GERINGSMÅLER

Den letaflæselige indikator viser den nøjagtige vinkel for en geringskskæring ved 15°, 30°, 45° og 60°.

### RAPIDSET™-HÅNDTAG TIL SPÆNDING AF KLINGEN

Kontrollerer klingspændingen, når du skifter klinger og foretager justeringer for forskellige savanvendelser.

### SAVKLINGE

Saven kommer med en standardklinge på 6,35 mm (1/4").

### SAVBORD MED FORPLADE

Din båndsav har et savbord med vippekontrol. Forpladen, der er monteret på savbordet fra fabrikkens side, giver frigang for klingens.

### SKALA OG SKALAINDIKATOR

Skalaen og skalaindikatoren viser den vinkel eller grad, som savbordet er vippet i ved facetskæring.

### HÅNDTAG TIL BORDLÅS

Hvis håndtaget til bordlåsen løsnes, kan savbordet vippes i forskellige vinkler. Hvis håndtaget til bordlåsen strammes, låses savbordet på plads.

### SPORINGSKNAP

Justerer springingen for at holde klingens centreret på hjulene.

### SKUEVINDUE

Skuevinduet gør det lettere at se sporingjusteringerne.

### SKUBBEPIND

Anvend altid skubbepinden til at indføre arbejdsemnet, indtil det er fri af bordet.

### LISTE OVER LØSE DELE

Beskrivelse	Ant.
Spændeskiver	7
Håndtag til bordlås	1
Sekskantnøgle , 3 mm	1
Sekskantnøgle , 4 mm	1
Sekskantnøgle , 5 mm	1
Geringsmåler	1
Topmøtrikker	4
Fod	4
Savbord	1
Låsebolte	2
Sekskantmøtrikker	2
Forlænger-støtte	1
Styreafskærmning	1
Skubbepind	1
Betjeningsvejledning	1



## Dansk (Oversættelse fra original brugsanvisning)

### MONTERING

#### UDPAKNING

Dette produkt kræver montering.

- Løft forsigtigt produktet ud af kassen, og placer det på en jævn arbejdsoverflade.

#### ▲ ADVARSEL

Undlad at anvende dette produkt, hvis nogen af delene fra listen over løse dele allerede er monteret på dit produkt, når du pakker det ud. Delene på listen er ikke monteret på produktet af producenten og skal monteres af kunden. Anvendelse af et produkt, der er blevet samlet forkert, kan resultere i alvorlige personskader.

- Efterse værktøjet omhyggeligt for at sikre, at der ikke er sket brud eller skader under fragten. **BEMÆRK:** Denne sav er blevet fragtet uden spænding af klingens. Tænd ikke for denne sav, før klingespændingen er blevet korrekt indstillet.
- Bortskaf ikke emballage, før du omhyggeligt har efterset og betjent værktøjet på tilfredsstillende vis.
- Hvis nogen af delene er beskadiget eller mangler, bedes du ringe til dit servicecenter for yderligere assistance.

#### ▲ ADVARSEL

Hvis nogen af delene er beskadigede eller mangler, må du ikke betjene dette produkt, før delene er blevet udskiftet. Anvendelse af dette produkt med beskadigede eller manglende dele kan resultere i alvorlige personskader.

#### ▲ ADVARSEL

Forsøg ikke at foretage ændringer på dette værktøj eller at fremstille tilbehør, som ikke anbefales til brug med dette værktøj. Enhver sådan ændring er misbrug og kan medføre farlige situationer med mulig alvorlig personskade til følge.

#### ▲ ADVARSEL

Forbind ikke til strømforsyningen, før monteringen er færdig. Hvis dette ikke følges kan det resultere i opstart ved en fejl og eventuelle alvorlige personskader.

#### MONTERING AF PRODUKTET TIL ARBEJDSBÆNK

Hvis produktet skal anvendes permanent et sted, skal det monteres på en fast støtteoverflade som f.eks. en arbejdsbænk. Savens base har fire bolthuller til dette

formål. Boltene (medfølger ikke) skal have en tilstrækkelig længde for at passe til savbase, spændeskiver (medfølger ikke), sekskantmøtrikker (medfølger ikke) og arbejdsbænkens tykkelse. Stram alle fire bolte sikkert.

Kontroller omhyggeligt arbejdsbænken efter monteringen for at sikre, at der ikke kan forekomme bevægelse under brug. Hvis du bemærker, at bordet vipper, hælder eller vandrer, skal du sikre arbejdsbænken til gulvet før brug.

- Placer produktet på arbejdsbænken. Brug savbasen som et mønster, og find og markér de huller, hvor produktet skal monteres.
- Bor huller igennem arbejdsbænken.
- Placer båndsavens på arbejdsbænken, idet du justerer hullerne i savbasen ind efter hullerne, der er blevet boret i arbejdsbænken.
- Isæt bolte (medfølger ikke), og stram sikkert med spændeskiver og sekskantmøtrikker (medfølger ikke). **BEMÆRK:** Alle bolte skal isættes fra oven. Monter spændeskiver og sekskantmøtrikker fra bænken underside.

#### FASTSPÆNDELSE AF PRODUKTET TIL ARBEJDSBÆNK

Se figur 4.

Hvis produktet skal bruges som et bærbart værktøj, anbefales det, at du fastgør det permanent til en monteringsplade, der let kan fastgøres til en arbejdsbænk eller anden støttende overflade. Monteringspladen skal have en tilstrækkelig størrelse for at undgå, at saven vælter, mens den er i brug. Det anbefales med en krydsfinerplade eller en spånplade i god kvalitet og en tykkelse på 19 mm (3/4").

Hvis der anvendes sekskantskrue, skal du sikre, at de er lange nok til at gå igennem hullerne i savens base samt det materiale, som saven bliver monteret til. Hvis der anvendes maskinbolte, skal du sikre, at boltene er lange nok til at gå igennem hullerne i savens base, det materiale, de monteres til, samt spændeskiver og sekskantmøtrikker.

**BEMÆRK: DET KAN VÆRE NØDVENDIGT AT FORSÆNKE SEKSKANTMØTRIKKERNE OG SPÆNDESKIVERNE PÅ UNDERSIDEN AF MONTERINGSPLADEN.**

- Monter savens til pladen ved hjælp af hullerne i savens base som en skabelon for hele mønstret. Find og markér hullerne der, hvor båndsavens skal monteres.
- Følg de sidste tre trin i afsnittet "Montering af produktet til arbejdsbænk", der er vist ovenfor.

#### MONTERING AF SAVBORD

Se figur 5 - 7.

- Fjern D-møtrik, spændeskiver og vingeskrue på savbordet.





## Dansk (Oversættelse fra original brugsanvisning)

- Imens du står foran båndsavnen, skal du lade savbordet glide forbi klingen og gennem åbningen, der går fra savbordets højre til venstre side.
- Imens du holder savbordet med din venstre hånd, og du trækker vinkeljusteringshåndtaget væk fra savrammen, skal du justere tænderne på savbordskonsollen ind efter tænderne på vinkeljusteringsknappen. Frigør knappen.
- Sæt stifterne på rammen ind i åbningerne på savbordets beslag.
- Sæt spændeskiven på den gevindskårne ende af håndtaget til bordlåsen. Stram savbordet fast til savens ramme ved at dreje håndtaget til bordlåsen i urets retning.
- Monter D-møtrik, spændeskiver og vingeskrue på savbordet.

**BEMÆRK:** Vingeskruen skal være under savbordet.

### MONTERING AF FORLÆNGERSTØTTE

Se figur 6.

- Sæt forlængerstøttens rør ind i hullerne på savens base bagfra.
- Juster hullerne på rørene ind efter dem på savbasen.
- Isæt låsebolte, og stram med spændeskiver og sekskantmøtrikker.

### RETVINKLING AF SAVBORDET I FORHOLD TIL KLINGEN

Se figur 8 - 9.

- Drej låseknappen mod urets retning for at låse klingestyrrsamlingen op. Ved at dreje justeringsknappen til klingestyret i urets retning skal du løfte klingestyrrsamlingen så langt, den kan komme. Drej låseknappen i urets retning for at stramme igen.
- Placer et lille kombinationskvadrat på savbordet ved siden af klingens bund.
- Løsgør bordlåsehåndtaget, og drej vinkeljusteringsknappen for at vippe savbordet op eller ned for sætte bordet i en vinkel på 90° i forhold til klingens (0° position). Stram håndtaget til bordlåsen igen.
- Drej justeringsboltene, indtil boltene netop rører ved savens hus.
- Kontrollér, at savbordet er vinkelret i forhold til klingens retning. Foretag justeringer igen, hvis det er nødvendigt.
- Sæt skalaindikatoren til nul, og stram skruen med en stjerneskruetrækker.

**BEMÆRK:** Foretag altid en prøveskæring for at sikre, at klingens retning er retvinklet, før du påbegynder et nyt projekt. Hvis den ikke er retvinklet kan det være nødvendigt at løsne skrueene under savbordet for at foretage justeringer (geringsåbningen skal være parallel

med savklingen. Når den er retvinklet, skal du stramme skrueene igen.

### JUSTERING AF KLINGESPÆNDING

Se figur 10-11.

- Sluk produktet.
- Før du bruger båndsavnen, skal du dreje spændingsjusteringsknappen øverst på savnen i urets retning for at øge spændingen.
- **BEMÆRK:** Der kan til enhver tid foretages justeringer af klingespændingen.
- Slå på den lige bagside af savklingen, som slog du en guitarstreng an, og drej på spændeknappen.

Lyden bliver højere, jo mere spændingen øges. Øg aldrig klingespændingen så meget, at fjederen bliver trykket helt sammen. Hvis fjederen bliver trykket helt sammen, kan den ikke længere fungere som støddabsorberende enhed.

For megen spænding kan forårsage, at klingens brækker. Tykkere arbejdsstykker kræver højere spænding: Der er ikke behov for maksimal spænding for alt skærearbejde. For lidt spænding kan forårsage, at klingens smutter på hjulene.

### SPORING AF KLINGEN

Se figur 11.

Juster klingespændingen ordentligt, før der foretages sporingsjusteringer. Kontrollér, at klingestyrerne ikke forstyrrer klingens retning. Klingens tandbund (den dybeste del af klingetanden) skal være i midten af løberingen.

#### For at justere:

Fjern stikket fra strømkilden. Åbn frontdækslerne ved at løsne låseskruen til dækslet. Se efter klingens position på den øverste løbering, og brug hånden til langsomt at dreje det øverste hjul i urets retning. Hvis klingens bevægelse sig væk fra midten af løberingen, skal sporingen justeres.

#### Hvis klingens har bevæget sig til venstre eller højre i forhold til midten:

- Drej klingens sporingsskruen (i urets retning, hvis klingens har bevæget sig mod venstre; mod urets retning, hvis klingens har bevæget sig mod højre), mens du drejer hjulet med hånden, indtil klingens bevæger sig tilbage og kører i midten af løberingen.
- Kontrollér klingens position på den nederste løbering. Klingens skal være fuldstændigt på løberingen (klingetandens tandbund i midten). Hvis ikke, skal du justere sporingen, indtil klingens er på begge løberinger.
- Drej det øverste hjul med hånden i urets retning et par drejebevægelser mere. Sørg for, at klingerne bliver det samme sted på løberingerne. Juster igen, hvis det er nødvendigt, indtil klingens sporer korrekt.





## Dansk (Oversættelse fra original brugsanvisning)

- Luk frontdækslerne, og stram dækslets låseskrue.
- Tænd produktet
- Bekræft, at savklingen er centreret på løberingen (gennem skuevinduet). Hvis den ikke er centreret, skal du gentage ovenstående trin.

### ⚠ ADVARSEL

Klingestyrene er blevet indstillet på forhånd på fabrikken. Disse indstillinger er funktionelle for visse anvendelser. Vi anbefaler, at du kontrollerer og justerer indstillingerne for klingestyrene, før du anvender saven for første gang. Der henvises til procedurerne "Justering af trykkløj og støtte af klingestyr", der er beskrevet i afsnittet "Justeringer" i betjeningsvejledningen.

### MONTERING AF STYREAFSKÆRMNING

- Placer styrefaafskærmningen på venstre side af savbordet med låsehåndtaget forrest.
- Skub låsehåndtaget ned for at låse positionen af styrefaafskærmningen.
- Drej låsehåndtaget for at justere, hvor stramt klemmerne sidder.

### BETJENING

### ⚠ ADVARSEL

Der skal stadig udvises forsigtighed, selv om man er blevet fortrolig med værktøjet. Glem aldrig, at man blot skal være uopmærksom en brøkdel af et sekund for at komme alvorligt til skade.

### ⚠ ADVARSEL

Brug altid øjenværn. Hvis denne regel ikke overholdes, kan man få slyngtet fremmedlegemer i øjnene og komme alvorligt til skade.

### ⚠ ADVARSEL

Der må ikke bruges tilbehør eller ekstraudstyr, som ikke anbefales af producenten af dette produkt. Hvis der anvendes ikke-anbefalede dele eller tilbehør, kan man komme alvorligt til skade.

### ⚠ ADVARSEL

For at undgå kontakt med klingen skal du justere klingestyrssamlingen, så den lige går fri af arbejdsemnet. Gør man ikke det, er der fare for alvorlige personskader.

### ⚠ ADVARSEL

Betjen aldrig produktet uden klingeafskærmningen sikret og frontdækslerne låst. Hvis du gør det, kan det resultere i alvorlige personskader.

### GRUNDLÆGGENDE BETJENING AF BÅNDSAVEN

En båndsav er grundlæggende en "kurveskærende" maskine, der også kan bruges til at skære lige snit som f.eks. tværsavning, geringsavning, facetsavning, kombinationssavning og genopsavning. Når du anvender båndsavens til at skære lige snit, kan brugeren montere en afskærmning ved hjælp af et stykke træ i passende størrelse sat fast på bordet med C-klemmer. Enheden kan ikke lave indvendig eller ikke-gennemgående savning.

Før du begynder at skære, skal du lade produktet køre lidt. Hvis du oplever kraftige vibrationer eller usædvanlig støj, skal du straks stoppe. Sluk produktet, og træk ledningen ud af stikkontakten. Start ikke igen, før du har lokaliseret og rettet problemet.

### SKÆREPROCEDURER

- Hold altid arbejdsemnet fast mod bordet.
- Anvend et let tryk og begge hænder, når du fører arbejdsemnet hen til klingen. Brug ikke styrke til arbejdet, men lad klingen skære selv.
- Den mindste cirkeldiameter, der kan skæres, bestemmes af klingebredden. En klinge, der er 6,35 mm (1/4") bred, vil skære en diameter på minimum 38 mm (1-1/2").
- Hold hænderne på afstand af klingen. Hold ikke stykker i hånden, der er så små, at dine fingre kan komme ind under klingeafskærmningen.
- Undgå akavede betjening og håndpositioner, hvor et pludseligt slip kan forårsage alvorlige personskader grundet kontakt med klingen. Anbring aldrig hænderne, hvor klingen kører.
- Brug ekstra beskyttelsesanordninger (borde, savheste, blokke, etc.) når du skærer i store, små eller uhåndterbare arbejdsemner.
- Brug aldrig en person som en erstatning for en bordforlænger eller som ekstra støtte for et arbejdsemne, der er længere eller bredere end selve savbordet.
- Når du skærer irregulært formede arbejdsemner,





## Dansk (Oversættelse fra original brugsanvisning)

skal du planlægge dit arbejde således, at det ikke vil klemme klingen. Et stykke støbt materiale skal f.eks. ligge fladt på savbordet. Arbejdsemner må ikke dreje, rokke eller glide, mens det bliver skåret.

Hvis arbejdsemnet trækkes tilbage, kan klingen binde i snittet. Dette skyldes normalt savstøv, der tilstopper savsnittet, eller at klingen går ud af styrene. Hvis dette sker:

- Sluk produktet. Vent, indtil saven er standset helt og fuldstændigt. Træk produktet ud af strømkilden.
- Kil savsnittet åbent med en flad skruetrækker eller trækile.
- Åbn frontdækslet, og drej det øverste hjul med hånden, mens du støtter arbejdsemnet.

### RELIEFUDESKÆRING

Når der skal saves snørklede kurver (med for lille radius for klingens), skal der laves reliefskæringer. Skær igennem et overskydende stykke af arbejdsemnet for at komme ind på en af mønsterets linjer. Ved snørklede kurver skal der laves flere reliefskæringer, før mønsterets linje kan følges, og dele af kurven skæres af, så klingens ikke udsættes for et så stort tryk.

### DEKUPERING

Ved generel mønsterskæring skal du følge mønsterets linjer ved at trykke på og dreje arbejdsemnet samtidigt. Forsøg ikke at dreje arbejdsemnet uden at skubbe det, mens det har kontakt med klingens - arbejdsemnet kan binde eller dreje klingens.

### FJERNELSE AF FASTSIDDENDE MATERIALE

Fjern aldrig afskårne fastsiddende stykker, før klingens er standset fuldstændigt.

- Sluk produktet. Vent, indtil saven er standset helt og fuldstændigt.
- Træk produktet ud af strømkilden, før du fjerner det fastsiddende materiale.

### UNDGÅ SKADER

- Sørg for, at savens er plan og ikke kan rokke. Saven skal altid stå på en fast, jævn overflade med masser af plads til håndtering og med ordentlig understøttelse af arbejdsemnet.
- Brug bolte til at fastgøre den til overfladen, så den ikke glider, vandrer eller skubbes væk under arbejde med f.eks. lange og tunge brædder.
- Sluk savens, og træk ledningen ud af strømkilden, før du flytter savens.
- Fjern ikke fastklemte afskårne stykker, før klingens er standset fuldstændigt.
- Vælg den rigtige klingestørrelse og -form til det pågældende materiale og savearbejde.

- Sørg for, at klingens tænder peger nedad mod savbordet, at klingestyr, tryklejer og klingespænding er ordentligt justeret, at klingestyrsknappen er stram, og at ingen dele har for meget slør.
- For at undgå uønsket kontakt med klingens skal du minimere risikoen for brud på klingens og give maksimal støtte til klingens og altid sørg for, at klingestyrssamlingen lige går fri af arbejdsemnet.
- Brug kun anbefalede tilbehørsdele.
- Med undtagelse af arbejdsemnet og dertilhørende støtteenheder skal du rydde alt væk fra savbordet, før du tænder savens.
- Understøt runde materialer ordentligt, som f.eks. dyvelstænger eller rørsystemer, da de har en tendens til at trille, når du skærer, hvilket kan få klingens til at "bide". For at undgå dette skal du altid anvende en V-blok eller fastklemme arbejdsemnet til en geringsmåler.
- Før du fjerner løse stykker fra savbordet, skal du slukke savens og vente på, at alle bevægelige dele er standset.

### TÆND/SLUK PRODUKTET

Se figur 12.

- Tryk på "I" for at tænde produktet.
- Tryk på "O" for at slukke produktet.

### FØR DU GÅR FRA PRODUKTET

Se figur 12.

- Sluk produktet. Vent, indtil savens er standset helt og fuldstændigt.
- Træk produktet ud af strømkilden.
- Sørg for, at værkstedet er børnesikkert.
- Frigør spændingen fra savklingens ved hjælp af Rapidset™-håndtaget til klingestrammeren for at forlænge klingens liv.
- Aflys værkstedet.

### TÆND/SLUK ARBEJDSLØSET

Se figur 13.

- Tryk på "↻" for at tænde arbejdslyset.
- Tryk på "O" for at slukke arbejdslyset.

### VIPNING AF BORDET

Se figur 14.

- Løsgør bordlåseknappen en smule.
- Drej vinkeljusteringsknappen, og vip savbordet, indtil det har den ønskede vinkel.
- Ved hjælp af skalaindikatoren kontrolleres vinkelmarkeringen.





## Dansk (Oversættelse fra original brugsanvisning)

- Stram låseknappen til bordet igen for at holde savbordet sikkert på plads.

### BRUG AF GERINGSMÅLER

Se figur 15 - 16.

Geringsmåleren kan indstilles maksimalt 60° til højre eller venstre.

- Løsgør låseknappen på geringsmåleren.
- Med geringsmåleren i geringsmåleråbningen skal du dreje måleren, indtil den ønskede vinkel er nået på indeksskalaen.
- Stram låseknappen igen.

### BRUG AF STYREAFSKÆRMNING

Styreafskærmningen bruges til alle styrede handlinger. Sav aldrig frit i hånden, uden at afskærmningen er på plads og sikkert låst.

- Anbring afskærmningen i den ønskede savebredde, og lås den på plads.
- Før du starter med at save, skal du kontrollere, at styreafskærmningen er parallel i forhold til savklingen. Når du saver i lange brædder eller store paneler, skal du altid bruge en arbejdsstøtte.
- Hold arbejdsemnet op mod afskærmningen, og før det op gennem savklingen med et jævnt og roligt tryk.

### INDSTILLINGER

#### ▲ ADVARSEL

Før eventuelle justeringer skal du kontrollere, at ledningen er taget ud af stikkontakten, og at kontakten er slukket. Manglende iagttagelse af denne advarsel kan medføre alvorlig personskade.

#### ▲ ADVARSEL

For at undgå personskader skal du opretholde ordentlig justering af klingespænding, klingesporing, klingestyr og tryklejer.

### MONTERING OG JUSTERING AF KLINGEN

Se figur 17.

- Løsgør og fjern vingeskrue, spændeskiver og D-møtrik fra savbordet.
- Åbn frontdækslerne ved at løsne låseskruen til dækslet.
- Drej låseknappen mod urets retning for at låse klingestyrssamlingen op. Drej på klingestyrsknappen (med uret løftes klingestyrssamlingen; mod uret

sænkes det), og anbring klingestyrssamlingen halvvejs mellem savbord og savhus. Stram låseknappen igen.

- Åbn klingefaskærmningen ved at trække den venstre side af afskærmningen ud og væk fra hjulet.
- Frigør al spænding fra klingen.
- Fjern forsigtigt den gamle klinge.
- Tag handsker på, og fold forsigtigt den nye klinge ud, mens du holder den væk fra dig i strakte arme. Hvis den nye klinge har fået olie for at forhindre rust, skal den måske aftørres, så du ikke får olie på dit arbejdsemne. Tør forsigtigt i den samme retning, som tænderne peger, så kluden ikke hænger fast i savklings tænder.

**BEMÆRK:** Det kan være, at klingen skal vendes om, hvis tænderne peger den forkerte vej. Hold klingen med begge hænder, og drej den indad.

- Hold klingen, så klingens tænder peger ned og til venstre for saven, og før klingen gennem de nederste klingestyr og rundt om begge løberinge.
- Brug hånden og drej langsomt det øverste hjul til højre eller i urets retning, så klingen centrerer på gummiløberingene.
- Genaktiver RapidSet™-håndtaget til spænding af klingen, og juster derefter klingespændingen. Kontroller eller juster klingesporingen.
- Juster både øverste og nederste klingestyr samt tryklejerne som beskrevet nedenfor i denne brugervejledning.
- Sæt vingeskrue, spændeskiver og D-møtrik på igen. Stram godt.
- Luk klingefaskærmningen og frontdæksel. Stram skruen til at låse dækslet.

### JUSTERING AF KLINGESTYRSNHED

Se figur 18 - 19.

For at forhindre at klingen snor sig eller går i stykker, skal klingestyrssamlingen altid indstilles cirka 3,2 mm (1/8") over arbejdsemnet.

- Drej låseknappen mod urets retning for at låse klingestyrssamlingen op.
- Som rettesnor kan du bruge et stykke overskydende træ af det samme træ, som du skal skære i, for at indstille højden af klingestyrssamlingen. Juster klingestyrssamlingen ved at dreje på klingestyrsknappen.
- Lås klingestyrssamlingen på plads ved at dreje låseknappen med uret.
- Lås altid klingestyrssamlingen på plads, før du tænder båndsavnen.





## Dansk (Oversættelse fra original brugsanvisning)

### JUSTERING AF KLINGESTYRSSTØTTEN OG TRYKLEJERNE

Se figur 20 - 21.

**BEMÆRK:** Stram låseknappen. Der henvises til procedurerne "Justering af klingespænding" og "Sporing af klingen", der er beskrevet i afsnittet MONTERING i denne brugervejledning, før der skal foretages justeringer.

Øverste og nederste klingetrykleje støtter savklingen under savearbejdet, og lejerne styrer den. Når du monteres en ny klinge, skal justeringen af lejerne og styrene altid kontrolleres.

#### For at justere tryklejer:

Tryklejerne støtter klingens bagside under skæring. Klingen må ikke komme i kontakt med tryklejerne, når du stopper med at skære. Det er vigtigt, at både øverste og nederste tryklejer bliver justeret ensartet.

- Åbn frontdækslerne og klingeafskærmningen.
- Brug en unbrakonøgle, og løs og skrue for øverste og nederste tryklejer, og tryk tryklejerne tilbage mod savens bagside.
- Kontrollér, at springen er korrekt, og skub tryklejet frem, indtil retningen er inden for 0,4 mm (1/64") for klingens. Stram tryklejeskruen grundigt.
- Skub det nederste leje frem, indtil der er korrekt frigang. Stram tryklejeskruen grundigt.

#### For at justere klingestyrsstøtten:

- Løsgør klingestyrsstøtten og klingestyrets indstillingsskruer ved hjælp af unbrakonøgler.
- Skub den øverste klingestyrsstøtte på skaftet, indtil forkanten på styrene kommer i kontakt med savklingen bag ved klingetanden. Stram skruen grundigt.
- Skub til det højre styr, så det kommer i kontakt med klingens, og slip det. Drej langsomt hjulet en hel omgang. Stram klingestyrets indstillingsskruer.
- Juster styret på venstre side, så der er 0,4 mm (1/64") frigang mellem klingens og styret (cirka tykkelsen af et spillekort) ved at sætte et spillekort ind mellem venstre styr og klingen.
- Stram spændestiften på venstre styr, så spillekortet netop holdes på plads. Stram indstillingsskruen, og fjern spillekortet.
- Drej med hånden tre hele omgange for at sikre, at klingens ikke binder.
- Luk klingeafskærmningen og frontdæksel. Lås med skrue.

Gentag denne fremgangsmåde for nederste klingestyrsstøtte.

### JUSTERING AF STYREAFSKÆRMNING

- Løsgør låsehåndtaget ved at dreje det mod uret.
- Flyt styreafskærmningen til den ønskede position.
- Skub låsehåndtaget ned for at låse positionen af styreafskærmningen.
- Drej låsehåndtaget for at justere, hvor stramt klemmerne sidder.

### VEDLIGEHOLDELSE

#### ⚠ ADVARSEL

I forbindelse med servicearbejde må der kun bruges originale reservedele. Brug af alternative dele kan forårsage farlige situationer eller ødelægge produktet.

#### ⚠ ADVARSEL

Brug altid øjenbeskyttelse under brug. Hvis der ophvirvles støv under arbejdet, bæres også støvmaske.

#### ⚠ ADVARSEL

Før eventuel vedligeholdelse skal du kontrollere, at ledningen er taget ud af stikkontakten, og at kontakten er slukket. Manglende iagttagelse af denne advarsel kan medføre alvorlig personskade.

### GENEREL VEDLIGEHOLDELSE

Undgå brug af opløsningsmidler til rengøring af plastdele. De fleste plastdele tåler ikke forskellige typer kommercielle opløsningsmidler og risikerer at blive ødelagt af disse. Fjern snavs, støv, olie, smørefedt osv. med en ren klud.

#### ⚠ ADVARSEL

Sørg for, at bremsevæske, benzin, petroleumbaserede produkter, penetreringsolie, mv., aldrig kommer i kontakt med plastdele. Disse kemiske produkter indeholder stoffer, som kan beskadige, mørne eller ødelægge plastmaterialet, så man risikerer at komme alvorligt til skade.

- Sørg for at holde produktet rent.
- Fjern ofte savsmuld fra maskinens indre.
- Sørg for, at der ikke ophobes skidt på savbordet, klingestyrene eller tryklejerne. Rens dem med fedtjern.
- Kom et tyndt lag bilvoks på savbordets overside, så træet let kan skubbes under savearbejdet.





## Dansk (Oversættelse fra original brugsanvisning)

### Smøring

Alle lejerne i dette værktøj er smurt for produktets levetid under normale driftsbetingelser med en tilstrækkelig mængde højkvalitetssmøremiddel. Det er derfor ikke nødvendigt med yderligere smøring.

### LØBERINGE

#### Rengøring af løberinge:

- Der ophobes skidt og savsmuld på løberingene, og det skal fjernes med en fin metalbørste eller et stykke træ. **Brug ikke en skarp kniv eller opløsningsmidler.**

#### Udskiftning af løberinge:

- Åbn frontdækslet, og fjern savklingen. Se afsnittet om "Montering og justering af klingen".
- Riv forsigtigt den slidte løbering af fra hjulet.
- Stræk den nye løbering rundt om hjulet.
- Udskift savklingen, og luk frontdækslet.

### BØRSTE

Se figur 22.

Der er en børste placeret inde i savhuset ved siden af hjulet. Børst savsmuldet væk for at beskytte løbering og hjul. Når børsten bliver slidt, skal den justeres eller udskiftes.

- Fjern skruen og spændeskiven, og træk derefter børsten af.
- Anbring den nye børste i rillen.
- Sæt spændeskive og skrue på igen.

### TRANSPORT OG OPBEVARING

Se figur 23 - 24.

- Når produktet transporteres, skal strømledningen trækkes ud, klingestyret skal sænkes, og produktet skal afmonteres. Opbevar skubbepinden på siden af husets øverste del. Løft produktet ved at holde fast i husets øverste del som vist. Opbevar produktet på et sikkert sted, der er utilgængeligt for børn.
- Rengør produktet med en børste og støvsuger, inden det stilles til opbevaring.

### MILJØBESKYTTELSE



Råmaterialerne skal genbruges og ikke bortskaffes som almindeligt affald. Af hensyn til miljøet skal redskab, tilbehør og emballage sorteres.

### SYMBOL



Sikkerhedsadvarsel



CE-overensstemmelse



Læs venligst vejledningen omhyggeligt inden start af produktet.



Benyt øjenværn



Benyt høreværn



FARE! Skarp klinge.



Lås



Oplås



Maksimal skærelængde



Maksimal skærebredde



Maksimal skærevinkel



Driftshastighed



Klingestørrelse



Redskabet skal frakobles strømforsyningen før vedligeholdelse.



Elektriske affaldsprodukter bør ikke afskaffes sammen med husholdningsaffald. Genbrug venligst hvor faciliteterne tillader dette. Tjek med din lokale kommune eller forhandler for genbrugsråd.



## Dansk (Oversættelse fra original brugsanvisning)

### FEJLFINDING

Problem	Mulig årsag	Løsning
Motor vil ikke starte	<ol style="list-style-type: none"> <li>1. Problem med TIL/ FRA-kontakten eller strømledningen.</li> <li>2. Motoren er defekt.</li> <li>3. Klingen binder.</li> </ol>	<ol style="list-style-type: none"> <li>1. Få slidte dele udskiftet, før produktet skal bruges igen.</li> <li>2. Forsøg ikke på reparationer. Få kun værktøjet repareret af en kvalificeret person.</li> <li>3. Fjern fastsiddende materiale</li> </ol>
Klingen kører ikke i det øverste hjuls omtrentlige center.	<ol style="list-style-type: none"> <li>1. Sporing virker ikke korrekt.</li> </ol>	<ol style="list-style-type: none"> <li>1. Juster sporingen, se afsnittet JUSTERINGER, "Sporing af klingen".</li> <li>2. I tilfælde af beskadigelse skal udskiftning straks foretages af en autoriseret servicetekniker.</li> </ol>
Bandsaven kører langsommere, når den saver.	<ol style="list-style-type: none"> <li>1. Saver for lille radius.</li> <li>2. Klingen er ikke skarp.</li> </ol>	<ol style="list-style-type: none"> <li>1. Stop med at skubbe på materialet, og træk det lidt tilbage, indtil savbåndet kører hurtigere igen.</li> <li>2. Udskift klingen.</li> </ol>
Klingen brækker.	<ol style="list-style-type: none"> <li>1. For stor klingspænding.</li> <li>2. Klingen bøjes, fordi der skæres med for lille radius, eller fordi materialet drejes for hurtigt under savearbejdet.</li> <li>3. Tryklejerne er ridsede eller roterer ikke.</li> </ol>	<ol style="list-style-type: none"> <li>1. Juster stramning. Se afsnittet JUSTERINGER, "Justerung af klingspænding".</li> <li>2. Brug korrekt saveteknik. Se afsnittet "Betjening".</li> <li>3. Udskift tryklejerne.</li> </ol>
Produktet larmer, når det kører.	<ol style="list-style-type: none"> <li>1. For stor klingspænding.</li> <li>2. Klingestyr og lejerne er i kontakt med klingen.</li> </ol>	<ol style="list-style-type: none"> <li>1. Juster stramning. Se afsnittet JUSTERINGER, "Justerung af klingspænding".</li> <li>2. Juster øverste og nederste klingestyr og lejer. Se afsnittet JUSTERINGER, "Justerung af klingestyrsstøtten og tryklejerne".</li> </ol>
Klingen vil ikke save lige.	<ol style="list-style-type: none"> <li>1. Klingestyr og lejer er ikke justeret korrekt.</li> <li>2. Slidt eller defekt klinge.</li> </ol>	<ol style="list-style-type: none"> <li>1. Juster øverste og nederste klingestyr og lejer. Se afsnittet JUSTERINGER, "Justerung af klingestyrsstøtten og tryklejerne".</li> <li>2. Udskift klingen.</li> </ol>
Klingestyrene vil ikke blive i position.	<ol style="list-style-type: none"> <li>1. Klingestyrrsskruerne er blevet løst.</li> </ol>	<ol style="list-style-type: none"> <li>1. Stram klingestyrets skruer sikkert.</li> </ol>
Motoren kører, men klingen kører ikke rundt.	<ol style="list-style-type: none"> <li>1. Spændingen er ikke indstillet korrekt.</li> <li>2. Drivremmen er ødelagt.</li> </ol>	<ol style="list-style-type: none"> <li>1. Brug klingspændingshåndtaget til at indstille spændingen.</li> <li>2. I tilfælde af beskadigelse skal udskiftning straks foretages af en autoriseret servicetekniker.</li> </ol>





## Svenska (Översättning från originalinstruktioner)

### BESKRIVNING

- |  |  |
|--|--|
| 1. Knapp för bladspänning                      | 53. Lås                                  |
| 2. Låsskruv för kåpan                          | 54. Trycklager                           |
| 3. Kontrollfönster för spårföljning            | 55. Trycklayerskruv                      |
| 4. Arbetslampa                                 | 56. Skruv till stöd för sågbladsstyrning |
| 5. Klingskydd                                  | 57. Övre stöd för sågbladsstyrning       |
| 6. Sågblad                                     | 58. Sågbladsstöd                         |
| 7. Geringsslikare                              | 59. Ställskruv för sågbladsstyrning      |
| 8. Dammutblås                                  | 60. Skruv för sågbladsstyrning           |
| 9. Indikator för skala                         | 61. Nedre stöd för sågbladsstyrning      |
| 10. Vinkeljusteringsknapp                      | 62. Borste                               |
| 11. Skala                                      | 63. Bricka                               |
| 12. Låsspak för bord                           | 64. Skruvar                              |
| 13. Låsknapp                                   | 65. Gummiring                            |
| 14. Justeringsknapp för sågbladsstyrning       |  |
| 15. Spak för bladspänning                      |  |
| 16. Sågplatta                                  |  |
| 17. Tracking-knapp                             |  |
| 18. Av/på-knapp                                |  |
| 19. Sågbord                                    |  |
| 20. Nedre frontpanel                           |  |
| 21. Övre frontpanel                            |  |
| 22. Klyvanslag                                 |  |
| 23. Brytare för arbetslampa                    |  |
| 24. Påskjutarstav                              |  |
| 25. Phillips-skruvmejsel (inte inkluderat)     |  |
| 26. Skiftnyckel (inte inkluderat)              |  |
| 27. Liten kombinationsvinkel (inte inkluderat) |  |
| 28. Sexkantsnyckel , 3 mm                      |  |
| 29. Sexkantsnyckel , 4 mm                      |  |
| 30. Sexkantsnyckel , 5 mm                      |  |
| 31. Bricka                                     |  |
| 32. Hattmuttrar                                |  |
| 33. Brickor                                    |  |
| 34. Fötter                                     |  |
| 35. Låsbultar                                  |  |
| 36. Sexkantsmuttrar                            |  |
| 37. Förlängningsstöd                           |  |
| 38. Hål i sågens bas                           |  |
| 39. D-mutter                                   |  |
| 40. Vingskruv                                  |  |
| 41. Sågbordshållare                            |  |
| 42. Enhet för sågbladstyrning                  |  |
| 43. Ställskruv                                 |  |
| 44. För att minska spänning                    |  |
| 45. För att öka spänning                       |  |
| 46. Låsknapp                                   |  |
| 47. Spalt för geringsslikare                   |  |
| 48. Phillips-skruv                             |  |
| 49. Övre hjul                                  |  |
| 50. Nedre sågbladsstyrningar                   |  |
| 51. Nedre hjul                                 |  |
| 52. Lås upp                                    |  |





## Svenska (Översättning från originalinstruktioner)

Säkerhet, prestanda och pålitlighet har fått högsta prioritet vid utformningen av din bandsåg.

### ANVÄNDNINGSSOMRÅDE

Bandsågen är avsedd för sågning av raka snitt, frihandssågning och cirkelsågning i trä och träprodukter.

Produkten är avsedd för vuxna användare som har läst instruktionsboken och inser riskerna och farorna.

Sågen ska användas i torra förhållanden med god omgivande belysning och tillräcklig ventilation.

Produkten är avsedd för privat bruk och får enbart användas så som beskrivs ovan och inte för något annat ändamål.

### ALLMÄNNA SÄKERHETSFORESKRIFTER

#### VARNING

Grundläggande säkerhetsåtgärder ska alltid följas för att minska risken för brand, elektrisk stöt och personskada när du använder elektriska verktyg. Läs alla instruktioner innan du försöker använda den här produkten och spar instruktionerna för senare bruk.

- **Se till att arbetsplatsen är ren och välstädad.** Röriga och smutsiga arbetsplatser och arbetsbord utgör en risk för personskador.
- **Besiktiga arbetsplatsen.** Utsätt inte verktygen för regn. Använd inte verktygen på fuktiga eller blöta platser. Håll arbetsområdet väl upplyst. Använd inte verktygen i närheten av brännbara vätskor eller gaser.
- **Skydda dig mot elektriska stötar.** Undvik kroppskontakt med jordade ytor (så som rör, element, spisar och kylskåp).
- **Se till att andra personer håller sig på behörigt avstånd.** Låt inte andra personer, i synnerhet barn, utföra någon del av arbetet eller röra verktyget eller förlängningssladden; se också till att de håller sig på behörigt avstånd från arbetsplatsen.
- **Förvara verktyg avstängda.** När verktygen inte används ska de förvaras på en torr plats med lås där inte barn kan komma åt dem.
- **Använd inte kraft mot verktyget.** Verktyget fungerar bäst och mest effektivt om du jobbar i den takt som det är avsett för.
- **Använd korrekt verktyg.** Försök inte göra jobb som bäst utförs med stora och kraftigt verktyg med små verktyg. Använd endast verktygen för de ändamål som de är avsedda för; försök till exempel inte kapa kvistar eller stockar med en cirkelsåg.
- **Klä dig korrekt.** Bär inga löst åtsittande kläder eller

smycken som kan fastna i rörliga delar. Användning av skor med halkskydd rekommenderas vid arbete utomhus. Bär hårskydd som skyddar långt hår.

- **Använd skyddsutrustning.** Använd skyddsglasögon. Använd en ansikts- eller dammask om arbetsuppgiften producerar mycket damm.
- **Anslut utrustning för dammut sugning.** Om tillbehör för dammut sug och dammuppsamling finns tillgängliga för verktyget, kontrollera att dessa är monterade korrekt och används på rätt sätt.
- **Skada inte sladden.** Dra i kontakten när du drar ut elsladden ur vägguttaget, aldrig i själva sladden. Håll sladden borta från värme och vassa kanter.
- **Säkert arbetssätt.** När det är möjligt, använd alltid klämmor eller skruvståd för att hålla fast arbetsstycket. Det är säkrare än att använda händerna.
- **Sträck dig inte.** Ha alltid ett bra fotfäste och en god balans.
- **Underhåll verktyget försiktigt.** Se till att hålla skärverktyget vasst och verktyget rent för ett bättre och säkrare arbete. Följ instruktionerna för smörjning och byte av tillbehör. Besiktiga verktygens elsladdar regelbundet och lämna in dem för reparation hos ett auktoriserat servicecenter om du upptäcker skador på dem. Kontrollera förlängningssladden regelbundet och byt ut om den är skadad. Håll handtagen torra, rena och fria från olja och fett.
- **Koppla bort verktyg.** Alla verktyg ska slås av och deras elsladdar dras ut ur vägguttagen när de inte används, innan service eller när någon del ska bytas ut, t.ex. tillbehör, kapskiva, bits, skärnanordningar.
- **Ta bort justeringsnycklar och -verktyg.** Ta för vana att kontrollera att nycklar och skiftnycklar är bortplockade från verktyget innan det startas.
- **Undvik oavsiktlig start.** Försäkra dig om att huvudströmbrytaren står i läget "off" (av) när du sätter i kontakten.
- **Använd endast förlängningssladdar som har godkänts för utomhusbruk.** När verktyget används utomhus ska endast förlängningssladdar som är anpassade och märkta för utomhusbruk användas.
- **Var på din vakt.** Tänk hela tiden på vad du gör, använd sunt förnuft och använd inte verktyget när du är trött.
- **Kontrollera delarna för att upptäcka eventuella skador.** Innan ytterligare användning av verktyget sker ska det noggrant kontrolleras för att avgöra om det kan fungera och fylla sin funktion fullt ut. Kontrollera att röriga delar sitter som de ska och kan röra sig obehindrat och att inga delar eller fästen är trasiga; kontrollera även andra saker som kan påverka användningen. Ett skydd eller en annan del som är skadad måste repareras ordentligt eller bytas ut av ett





## Svenska (Översättning från originalinstruktioner)

auktoriserat servicecenter om ingenting annat anges i den här handboken. Låt ett auktoriserat servicecenter byta ut trasiga strömbrytare. Använd inte verktyget om du inte kan stänga av och sätta på det med strömbrytaren.

- **Varning.** Användning av några andra typer av tillbehör än de som rekommenderas i denna användarhandbok kan innebära risk för personskador.
- **Om verktyget måste repareras bör detta göras av en kvalificerad person.** Detta elverktyg uppfyller alla viktiga säkerhetsbestämmelser. Reparationer får endast utföras av kvalificerad personal som använder originalreservdelar; i annat fall kan användaren utsättas för stora risker.

### SÄKERHETSANVISNINGAR FÖR BANDSÅG

- Kläm eller skruva fast sågen ordentligt på en arbetsbänk eller en ställning, ungefär i höjd med höfterna.
- Använd aldrig produkten på golvet.
- Undvik märkliga användningssätt och handplaceringar där din hand kan hamna i vägen för klingan om du tappar greppet. Se alltid till att ha god balans.
- Låt motorn komma upp i full hastighet innan du påbörjar sågningen för att undvika att sågen fastnar eller får motorstopp.
- Använd inte verktyget om inte strömbrytaren stänger av och sätter på det. Låt ett auktoriserat servicecenter byta ut trasiga strömbrytare.
- **Utbytesdelar.** Alla reparationer, både elektriska och mekaniska, ska utföras av en kvalificerad servicetekniker på en godkänd serviceverkstad.
- **Använd endast identiska originaldelar när du servar maskinen.** Användning av andra delar kan orsaka fara eller produktskada.
- **Håll händerna borta från skärområdet.** Håll inte så små arbetsstycken med händerna att dina fingrar kommer in under bladskyddet. Sträck inte in händer och fingrar under eller i närheten av klingans arbetsområde.
- **Såga aldrig fler än ett arbetsstycke åt gången, och stapla inte fler än ett arbetsstycke åt gången på sågbordet.**
- **Mata inte materialet för snabbt.** Tvinga inte materialet mot sågbladet.
- **Använd endast korrekta klingor.** Använd rätt bladstorlek och typ av sågblad för snittypen. Sågbladets tänder ska peka nedåt mot bordet.
- **Stöd alltid stora arbetsstycken under sågningen för att minimera risken för klänning av bladet eller återstuds.** Sågen kan slinta, förflytta sig eller glida vid

sågning av stora eller tunga brädor.

- **Ta inte bort avsågade bitar som fastnat innan sågbladet har stannat.**
- **Använd inte sågband som skadats eller deformerats.**
- **Byt ut bordsinlägget om det är slitet.**
- **Koppla in sågen till dammsamlaren när trä skall sågas.**
- **Använd inte produkten medan skyddet för sågbandet är öppet.**
- **Välj sågband och hastighet beroende på det material som ska sågas.**
- **Rengör inte sågbandet medan det befinner sig i rörelse.**
- **Använd handskar vid hantering av sågband och grova material.**
- **Använd en påskjutarstav när du gör raka snitt i små arbetsstycken med hjälp av anslaget.**
- **Transportera produkten med helt nedfällt bandskydd, intill bordet.**
- **Placera anslaget på bordets undersida vid fassågning med lutat bord.**
- **Använd en lämplig hållaranordning vid sågning av runt eller oregelbundet format trä för att förhindra att arbetsstycket vrider sig.**
- **Använd inte skydden som handtag vid hantering eller transport**
- **Ställ in det justerbara skyddet så nära arbetsstycket som är praktiskt möjligt.**
- **Vidrör aldrig klingan eller någon annan roterande del under användning.**
- **Koppla loss sågen från strömkällan före ändring av inställningar och borttagning av kåpor, skydd eller sågblad.**
- **Håll alltid arbetsstycket säkert mot bordet.**
- **För att undvika oavsiktlig kontakt med sågbladet, minimera risken för att bladet bryts och ge sågbladet maximalt stöd, ställ alltid in enheten för sågbladsstyrning så att den precis passerar arbetsstycket.**
- **Håll klingor rena, vassa och i gott skick.** Vassa klingor minskar risken för fastnypning och återkast.
- **För att undvika oavsiktlig start vid återinkoppling ska du alltid stänga av sågen innan du kopplar bort den.**
- **Kontrollera, innan du använder sågen, att arbetsområdet har tillräcklig belysning så att du ser arbetsstycket och ser att inga hinder ligger i vägen för en säker användning.**
- **Sågbladsstyrningarna har förinställts från fabrik.**





## Svenska (Översättning från originalinstruktioner)

Dessa inställningar passar för vissa tillämpningar. Vi rekommenderar att du kontrollerar och justerar inställningarna för sågbladstyrningen före den första användningen av sågen. Se de procedurer som förklaras i avsnittet **INSTÄLLNINGAR** i denna användarmanual, under "Justera trycklager och stöd för sågbladstyrning".

- **Använd inte verktyget för att såga i metall.**
- **Detta verktyg ska ha följande markeringar:**
  - Använd skyddsglasögon
  - Håll händerna borta från sågklingan.
  - Ta inte bort avsågade bitar eller bitar som fastnat innan sågbladet har stannat.
  - Försäkra dig om att sågbladet har monterats med tänderna i riktning nedåt.
  - Se till att hålla korrekt inställning för bladspänning, sågbladsstyrningar och trycklager.
  - Ställ in den övre styrningen så att den precis passerar arbetsstycket.
  - Håll arbetsstycket säkert mot bordet vid sågning.
- **För att minska risken får en skadad strömsladd endast repareras av tillverkaren eller ett auktoriserat servicecenter.**
- **Spara dessa anvisningar.** Titta i dem ofta och använd dem för att instruera andra. Om du lånar ut verktyget till någon ska du även låna ut instruktionerna.

### ELEKTRICITET

#### FÖRLÄNGNINGSSLADDAR

Använd endast förlängningssladdar med tre kablar (ström + jord). Använd endast stickkontakter och vägguttag med tre stift. Jordningen är till för din egen och andras säkerhet. När du arbetar långt ifrån ett eluttag måste du använda en förlängningskabel som tål den strömstyrka som maskinen använder. En underdimensionerad förlängningskabel kan orsaka spänningsfall vilket leder till effektförluster i motorn. Detta kan i sin tur leda till att motorn överhettas. Före användning av en förlängningssladd, kontrollera den avseende lösa eller exponerade ledningar och sönderskuren eller sliten isolering.

#### ⚠ VARNING

Håll förlängningssladden borta från arbetsområdet. Placera sladden så att den inte fastnar på träet, verktygen eller andra hinder när du arbetar med ett motorverktyg. Underlåtenhet att följa denna föreskrift kan förorsaka allvariga skador.

#### ⚠ VARNING

Kontrollera förlängningssladdar innan varje användning. Byt omedelbart ut om den är skadad. Använd aldrig maskinen med en skadad kabel eftersom det skadade området kan ge en elektrisk stöt vid beröring vilket kan resultera i allvarig personskada.

#### ELEKTRISKA ANSLUTNINGAR

Denna produkt drivs av en precisionsbyggd elmotor. Det ska endast anslutas till en elförsörjning med spänning 220~240V AC, 50 Hz (normal hushållsel). Anslut inte den här produkten till likströmsnät (DC). Ett stort spänningsfall kan orsaka effektförlust och motorn kommer att överhettas. Dubbelkontrollera strömförsörjningen om produkten inte fungerar normalt när den är ansluten till ett vägguttag.

#### HASTIGHET OCH ELDRAGNING

Hastigheten utan belastning för denna produkt är ungefär 11 m/s. Hastigheten är inte konstant och minskar under belastning eller vid låg spänning. Vad gäller spänningen är ledningsdragningen i en verkstad lika viktig som motorns klassning för ingående effekt. En krets som är avsedd för endast belysning klarar inte av ett elverktyg. En strömsladd som är tillräcklig för en kort sträcka kommer att vara för klen för längre sträckor. En krets som kan driva ett elverktyg kan kanske inte driva ytterligare ett eller två elverktyg.

#### ANVISNINGAR FÖR JORDNING

Den här produkten måste jordas. I händelse av ett teknisk fel eller haveri fungerar jordningen som en ledare för elektrisk ström vilket minskar risken för elstötar. Den här produkten är utrustad med en elsladd med jordledare och en jordad stickkontakt. Stickkontakten måste stoppas in i ett vägguttag där den passar, vägguttaget måste vara korrekt installerat och jordat i enligt med lokala lagar och bestämmelser.

Gör inga ändringar i den stickkontakt som sitter på produkten. Om stickkontakten inte passar i vägguttaget måste den bytas ut mot en lämplig kontakt, bytet måste utföras av en behörig elektriker. Om elkabeln skadas måste den omedelbart repareras eller bytas ut.

#### RESIDUALRISK

Även om produkten används enligt instruktionerna går det inte att eliminera alla eventuella riskfaktorer. Följande risker kan uppstå vid användning och operatören ska vara extra uppmärksam för att undvika följande:

- Kickback på arbetsstycket och delar av arbetsstycken på grund av felaktig justering eller hantering.
- Skador på andningsvägarna.



## Svenska (Översättning från originalinstruktioner)

**NOTERA:** Använd andningsskydd med filter som är lämpliga för de material som du arbetar med. Se till att arbetsplatsen är tillräckligt ventilerad. Ät, drick eller rök inte på arbetsområdet.

- Skada på hörseln om ett effektivt hörselskydd inte används.

### LÄR KÄNNA DIN PRODUKT

Se bild 1.

För att använda den här produkten på ett säkert sätt krävs en förståelse av informationen på produkten och i denna bruksanvisning samt kunskap om arbetet som du försöker utföra. Innan du använder sågen bör du bekanta dig med alla dess funktioner och speciella detaljer i fråga om säkerhet.

### VINKELJUSTERINGSKNAPP

Lutar sågbordet för fassågning.

### KLINGSKYDD

Skyddar användaren från att komma i kontakt med bladet.

### JUSTERINGSKNAPP FÖR SÄGBLADSSTYRNING

Använd justeringsknappen för sågbladsstyrning för att flytta enheten för sågbladsstyrning uppåt och nedåt, samt skydda bladet från vridning eller brott. Läs alltid enheten för sågbladsstyrning på plats innan du slår på bandsågen.

### SÄGBLADSTYRNINGAR

Den övre och nedre sågbladsstyrningen hjälper till att skydda bladet mot vridning under drift.

### DAMMUTBLÅS

Ett dammutblås på 53 mm (2-1/8") gör dammfri sågning möjlig. Fäst en uppsamlingspåse för damm (ingår ej) eller en verkstadsdammsugare vid dammutblåset.

### LÄSSKRUV FÖR KÅPAN

Gör det möjligt att öppna den främre kåpan för justeringar.

### GERINGSLIKARE

Detta mätverktyg riktar in träet för kapning. Indikatorn är enkel att avläsa och visar den exakta vinkeln för ett geringsnitt på 15°, 30°, 45° och 60°.

### RAPIDSET™ SPAK FÖR BLADSPÄNNING

Styr bladspänningen vid byte av sågblad och vid justeringar för olika sågningstillämpningar.

### SÄGBLAD

Sågen levereras med ett standardsågblad på 6,35 mm (1/4").

### SÄGBORD MED SÄGPLATTA

Din bandsåg har ett sågbord med kontrollerbar lutning. Sågplattan som installerats i sågbordet från fabrik ger fritt utrymme för sågbladet.

### SKALA OCH INDIKATOR FÖR SKALA

Skalan och dess indikator visar den vinkel eller det gradtal med vilket sågbordet har lutats för fassågning.

### LÄSSPAK FÖR BORD

Sågbordet kan lutas i olika vinklar genom att spaken för bordslåsning lossas. Åtdragning av spaken för bordslåsning låser sågbordet på plats.

### TRACKING-KNAPP

Justerar spårföljningen för att hålla bladet centrerat på hjulen.

### KONTROLLFÖNSTER FÖR SPÅRFÖLJNING

Kontrollfönstret för spårföljning gör justeringar av spårföljningen enklare att se.

### PÅSKJUTARSTAV

Använd alltid en påskjutarstav för att mata ett arbetsstycke tills det lämnar sågbordet.

### LISTA ÖVER LÖSA DELAR

Beskrivning	St.
Brickor	7
Låsspak för bord	1
Sexkantsnyckel , 3 mm	1
Sexkantsnyckel , 4 mm	1
Sexkantsnyckel , 5 mm	1
Geringslikare	1
Hattmuttar	4
Fötter	4
Sågbord	1
Låsbultar	2
Sexkantsmuttrar	2
Förlängningsstöd	1
Klyvanslag	1
Påskjutarstav	1
Användarmanual	1

## Svenska (Översättning från originalinstruktioner)

### HOPSÄTTNING

#### PACKA UPP

Denna produkt kräver montering.

- Lyft försiktigt ut produkten ur lådan och placera den på en jämn arbetsyta.

#### ⚠ VARNING

Använd inte denna produkt om några av komponenterna på listan för lösa delar redan har monterats på din produkt när du packar upp den. Delarna på denna lista har inte monterats på produkten av tillverkaren och kräver att kunden installerar dem. Användning av en produkt som kan vara felaktigt monterad kan orsaka allvarliga personskador.

- Kontrollera verktyget noggrant för att säkerställa att inget gått sönder eller skadats under transporten. **NOTERA:** Denna såg har transporteras utan bladspänning. Slå inte på sågen innan bladspänningen har ställts in korrekt.
- Kassera inte förpackningsmaterialet innan du noggrant har kontrollerat verktyget och använt det på ett tillfredsställande sätt.
- Om delar är skadade eller saknas, kontakta vårt servicecenter för hjälp.

#### ⚠ VARNING

Om delar är skadade eller saknas, använd inte denna produkt förrän delarna har ersatts. Användning av denna produkt med skadade eller saknade delar kan resultera i allvarliga personskador.

#### ⚠ VARNING

Försök inte att modifiera detta verktyg eller skapa tillbehör till det som inte är rekommenderade. Alla sådana förändringar eller modifikationer anses vara felanvändning och kan resultera i en farlig situation som kan leda till allvarlig personskada.

#### ⚠ VARNING

Anslut inte sågen till strömförsörjningen innan monteringen är avslutad. Att inte beakta detta kan leda till oavsiktlig start och allvarliga personskador.

### MONTERA PRODUKTEN PÅ ARBETSBÄNKEN

Om produkten ska användas permanent på en plats måste den monteras på en stadig stödyta, som till exempel på en arbetsbänk. Fyra bulthål har gjorts i sågens bas för

detta syfte. Bultar (medföljer ej) måste vara tillräckligt långa för att ge plats för sågens bas, låsbrickor (medföljer ej), sexkantsmuttrar (medföljer ej) och arbetsbänkens tjocklek. Dra åt alla fyra bultarna ordentligt.

Kontrollera arbetsbänken noggrant efter montering för att säkerställa att den inte kan röra sig under användning. Om du märker att den lutar, glider eller förflyttar sig, säkra arbetsbänken vid golvet före drift.

- Placera produkten på arbetsbänken. Använd sågens bas som mall, och lokalisera och markera platsen för hålen där produkten ska markeras.
- Borra hål genom arbetsbänken.
- Placera bandsågen på arbetsbänken och rikta in hålen i sågens bas med de hål som borrats i arbetsbänken.
- Sätt in bultarna (medföljer ej) och dra åt ordentligt med låsbrickor och sexkantsmuttrar (medföljer ej). **NOTERA:** All bultar ska sättas i ovanifrån. Montera låsbrickor och sexkantsmuttrar från bänkens undersida.

### KLÄMMA FAST PRODUKTEN PÅ ARBETSBÄNKEN

Se bild 4.

Om produkten ska användas som ett bärbart verktyg rekommenderar vi att du fäster den permanent vid en monteringskiva som enkelt kan klämmas fast på en arbetsbänk eller någon annan stödyta. Monteringskivan ska vara tillräckligt stor för att förhindra att sågen välter under användning. En plywood- eller spånskiva av god kvalitet med en tjocklek på 19 mm (3/4") rekommenderas.

Om träskruvar används, försäkra dig om att de är tillräckligt långa för att gå igenom hål i sågens bas och i det material som sågen har monterats på. Om maskinbultar används, försäkra dig om att bultarna är tillräckligt långa för att gå igenom hål i sågens bas, det material som sågen har monterats på samt låsbrickorna och sexkantsmuttrarna.

**NOTERA: DET KAN VARA NÖDVÄNDIGT ATT FÖRSÄNKA SEXKANTSMUTTRAR OCH LÅSBRICKOR PÅ UNDERSIDAN AV MONTERINGSSKIVAN.**

- Montera sågen på skivan genom att använda sågens bas som en mall för hålmönstret. Lokalisera och märk ut platsen för hålen där bandsågen ska monteras.
- Följ de sista tre stegen i avsnittet Montera produkten på arbetsbänken, som du hittar ovan.

### MONTERA SÅGBORDET

Se bilderna 5, 7.

- Ta bort d-muttern, brickorna och vingskraven på sågbordet.
- Stå framför bandsågen och skjut sågbordet förbi bladet och genom spalten, från sågbordets högra sida till den vänstra.





## Svenska (Översättning från originalinstruktioner)

- Håll sågbordet med vänster hand medan du drar knappen för vinkeljustering i riktning bort från sågramen, och rikta in tänderna på sågbordets hållare mot tänderna på knappen för vinkeljustering. Släpp knappen.
- Passa in stiften på ramen i öppningarna i sågramens hållare.
- Placera brickan på den gängade änden av spaken för bordslåsning. Dra åt sågbordet mot sågramen genom att vrida spaken för bordslåsning medurs.
- Fäst d-muttern, brickorna och vingskruven på sågbordet.

**NOTERA:** Vingskruven ska placeras under sågbordet.

### MONTERA STÖDFÖRLÄNGNINGEN

Se bild 6.

- Sätt in rören på stödförlängningen i hålen i sågbasen bakifrån.
- Rikta in rörens hål med hålen i sågens bas.
- Sätt i låsbultar och dra åt med brickor och sexkantsmuttrar.

### RIKTA IN SÅGBORDET I FÖRHÅLLANDE TILL BLADET

Se bilderna 8 - 9.

- Vrid låsknappen moturs för att låsa upp enheten för sågbladsstyrning. Vrid justeringsknappen för sågbladsstyrning medurs och lyft upp enheten för sågbladsstyrning så långt som möjligt. Vrid låsknappen medurs för att dra åt igen.
- Placera en liten kombinationsvinkel på sågbordet, bredvid sågbladet.
- Lossa låsspaken för sågbordet och vrid på vinkeljusteringsknappen för att luta sågbordet uppåt eller nedåt, så att bordet riktas in med 90° mot bladet (0°-position). Dra åt låsspaken för sågbordet igen.
- Vrid ställskruven tills skruven precis vidrör såghuset.
- Kontrollera att sågbordet befinner sig i rätt vinkel mot sågbladet. Gör ytterligare justeringar vid behov.
- Ställ skalans indikator på noll och dra åt skruven med en Phillips-skruvmejsel.

**NOTERA:** Utför alltid en provsågning för att säkerställa den rätta vinkeln mellan sågblad och bord innan du börjar med ett nytt projekt. Om vinkeln inte är rätt kan skruvarna under sågbordet behöva lossas för att göra en justering (ger-spalten måste vara parallell med sågbladet). Dra åt skruvarna igen när vinkeln är rätt.

### JUSTERA BLADSPÄNNINGEN

Se bilderna 10-11.

- Slå av produkten.
- Före användning av bandsågen, vrid justeringsknappen för bladspänning uppe på sågen medurs för att späna.
- NOTERA: Justeringar av bladspänningen kan göras när som helst.
- Knäpp på den raka sidan av sågbladet som man knäpper på en gitarrsträng medan du vrider på spänningsknappen.

Ljudet får en högre tonhöjd med ökande spänning. Öka aldrig bladspänningen så mycket att fjädern komprimeras helt. När fjädern är helt komprimerad kan den inte längre fungera som en stötabsoberare.

För hög spänning kan få bladet att brytas. Tjockare arbetsstycken kräver högre spänning. Maximal spänning krävs inte för alla typer av snitt. För låg spänning kan göra så att bladet glider på hjulen.

### BLADETS SPÄRFÖLJNING

Se bild 11.

Ställ in bladspänningen korrekt innan du justerar spärföljningen. Kontrollera att sågbladstyrningarna inte kommer i vägen för bladet. Tandluckan (sågtandens djupaste del) ska vara i centrum av gummiringen.

#### För att justera:

Koppla från strömmen. Öppna frontkåporna genom att lossa kåpens låsskruv. Övervaka bladets position på den övre gummiringen medan du för hand sakta vrider det övre hjulet medurs. Om bladet flyttar sig bort från ringens mitt måste spärföljningen justeras.

#### Om bladet har flyttat sig till vänster eller höger om mitten:

- Vrid på bladets spärföljningsknapp (medurs om bladet har flyttat sig åt vänster, moturs om bladet har flyttat sig åt höger) medan du vrider hjulet för hand tills bladet flyttar sig tillbaka och löper i mitten av ringen.
- Kontrollera bladets position på den lägre gummiringen. Bladet ska ligga helt och hållet på ringen (tandluckorna i mitten). Om så inte är fallet, justera spärföljningen tills bladet ligger på båda ringarna.
- Rotera det övre hjulet medurs för hand i ytterligare några varv. Säkerställ att bladet ligger kvar på samma plats på ringarna. Justera på nytt vid behov, tills bladet har korrekt spärföljning.
- Stäng frontkåporna och dra åt kåpens låsskruv.
- Slå på produkten.
- Kontrollera att sågbladet är centrerat på gummiringen (genom kontrollfönstret för spärföljning). Om det inte



## Svenska (Översättning från originalinstruktioner)

är centrerat, upprepa stegen ovan.

### ⚠ VARNING

Sågbladsstyrningarna har förinställts från fabrik. Dessa inställningar passar för vissa tillämpningar. Vi rekommenderar att du kontrollerar och justerar inställningarna för sågbladstyrningen före den första användningen av sågen. Se de procedurer som förklaras i avsnittet "Inställningar" i denna användarmanual, under "Justera trycklager och stöd för sågbladsstyrning".

### MONTERA ANSLAGET

- Placera anslaget på vänster sida av sågbordet, med låshandtaget framåt.
- Tryck ned låshandtaget för att låsa anslagets position.
- Vrid på låshandtaget för att justera hur hårt klämmorna sitter.

### ANVÄNDNING

### ⚠ VARNING

Fortsätt att vara på din vakt även när du blivit van vid ditt verktyg. Glöm inte att om du är uppmärksam bara bråkdelen av en sekund kan du skada dig allvarigt.

### ⚠ VARNING

Bär alltid ögonskydd. Underlåtenhet att följa denna föreskrift kan leda till att främmande partiklar slungas mot ögonen och framkallar allvarliga ögonskador.

### ⚠ VARNING

Använd inga tillbehör till den här produkten som inte rekommenderas av tillverkaren. Användning av icke rekommenderade delar eller tillbehör kan medföra risker för allvarliga skador.

### ⚠ VARNING

För att undvika kontakt med sågbladet, ställ in enheten för sågbladsstyrning så att den precis passerar arbetsstycket. Underlåtenhet att följa denna föreskrift kan förorsaka allvarliga skador.

### ⚠ VARNING

Använd aldrig produkten utan att bladskyddet säkrats och frontkåporna låsts. Att göra detta kan leda till allvarliga personskador.

### GRUNDLÄGGANDE DRIFT AV BANDSÅGEN

En bandsåg är i princip en "maskin för kurvskärning" som också kan användas för snitt med raka linjer, som kapning, ger-sågning, fasnig, kombinerad sågning och delningsågning. När bandsågen används för sågning i rak linje kan användaren montera ett anslag genom att spänna fast ett trästycke av lämplig storlek med "C-klämmor" på bordet. Sågen kan inte utföra invändig sågning eller ej genomgående snitt.

Innan du startar en sågprocedur, iaktta verktyget när det är i gång. Om du lägger märke till starka vibrationer eller ovanliga ljud, stoppa det omedelbart. Slå av produkten och koppla från den från strömförsörjningen. Starta inte om den innan du har lokaliserat och åtgärdat problemet.

### KAPNINGSFÖRFARANDEN

- Håll alltid arbetsstycket säkert mot bordet.
- Tryck försiktigt med båda händerna när du matar arbetsstycket mot sågbladet. Tvinga inte arbetsstycket, låt sågbladet utföra skärningen.
- Den minsta cirkeldiameter som kan sägas avgörs av bladets bredd. Ett blad med en bredd på 6,35 mm (1/4") skär en minsta cirkeldiameter på 38 mm (1-1/2").
- Håll händerna borta från sågklingan. Håll inte så små arbetsstycken med händerna att dina fingrar kommer in under bladskyddet.
- Undvik opraktiska procedurer och handpositioner där en plötslig glidning kan orsaka allvarliga skador genom kontakt med sågbladet. Placera aldrig händerna i sågbladets väg.
- Använd extra stöd (bord, sågbockar, block etc.) vid sågning av stora, små eller komplicerade arbetsstycken.
- Använd aldrig en person som ersättning för en bordsförlängning eller som extra stöd för ett arbetsstycke som är längre eller bredare än sågbordet.
- Vid sågning av oregelbundet formade arbetsstycken, planera ditt arbete så att bladet inte kläms. Exempelvis måste ett profilstycke ligga platt på sågbordet. Arbetsstycken får inte vrida sig, vicka eller glida under sågningen.

När du drar tillbaka arbetsstycket kan bladet fastna i sågsnittet. Detta beror vanligen på att sågspån pluggar igen sågsnittet eller att bladet kommer ut ur styrningarna. Om detta sker:



## Svenska (Översättning från originalinstruktioner)

- Slå av produkten. Vänta till sågen har stannat helt och hållet. Koppla loss produkten från strömförsörjningen.
- Bänd upp sågsnittet med en platt skruvmejsel eller en träkil.
- Öppna frontkåpan och vrid det övre hjulet för hand medan du för arbetsstycket bakåt.

### RELIEFSNITT

Reliefsnitt görs när en komplicerad kurva (med för liten radie för sågbladet) ska sågas. Säg igenom en del av arbetsstycket som ska skäras bort för att närma dig mönsterlinjens kurva, och backa sedan försiktigt ut bladet. Flera reliefsnitt bör göras för komplicerade kurvor innan själva mönsterlinjen följs, då stycken som sågas av från kurvan "lättar" på trycket på sågbladet.

### FRIHANDSSÅGNING

För allmän kurvskärning, följs mönsterlinjerna genom att skjuta på och vrida arbetsstycket samtidigt. Försök inte att vrida arbetsstycket medan det är i ingrepp med sågbladet utan att samtidigt skjuta på det. Arbetsstycket kan klämma fast eller vrida bladet.

### TA BORT MATERIAL SOM FASTNAT

Ta aldrig bort avsägade stycken som fastnat innan sågbladet har stannat helt och hållet.

- Slå av produkten. Vänta till sågen har stannat helt och hållet.
- Koppla från produkten från strömkällan innan material som fastnat avlägsnas.

### UNDDVIKA OLYCKSFALL

- Försäkra dig om att sågen står plant och inte vickar. Sågen ska alltid stå på en fast, jämn yta med gott om utrymme för att hantera och stöda arbetsstycket ordentligt.
- Fäst sågen med bultar på stödytan för att förhindra att den halkar, förflyttas eller glider under processer där långa, tunga brädor sågas.
- Slå av sågen och koppla loss kabeln från strömförsörjningen innan du flyttar sågen.
- Ta inte bort avsägade stycken som fastnat innan sågbladet har stannat helt och hållet.
- Använd rätt bladstorlek och typ av sågblad för det sågsnitt du planerar att göra.
- Säkerställ att sågbladets tänder är riktade nedåt mot sågbordet, att sågbladsgsstyrningarna, trycklagren och bladspänningen är korrekt inställda, att knappen för sågbladsgsstyrning är ordentligt ådragen och att inga komponenter har för stort spel.
- För att undvika oavsiktlig kontakt med sågbladet, minimera risken för att bladet bryts och ge sågbladet maximalt stöd, ställ alltid in enheten

för sågbladsgsstyrning så att den precis passerar arbetsstycket.

- Använd endast rekommenderade tillbehör.
- Ta bort alla föremål från sågbordet, förutom arbetsstycket och tillhörande stödanordningar, innan du slår på sågen.
- Stöd alla runda material, som trästänger eller rör, ordentligt, eftersom de har tendens att rulla under sågning, så att bladet fastnar. För att undvika detta, använd alltid ett "V-block" eller spänn fast arbetsstycket vid en geringslikare.
- Innan du tar bort lösa bitar från sågbordet, slå av sågen och vänta tills alla rörliga delar har stannat.

### SLÅ PÅ/AV PRODUKTEN.

Se bild 12.

- Tryck på "I" för att slå på produkten.
- Tryck på "O" för att slå av produkten.

### INNAN DU LÄMNAR PRODUKTEN

Se bild 12.

- Slå av produkten. Vänta till sågen har stannat helt och hållet.
- Koppla loss produkten från strömförsörjningen.
- Se till att verkstaden är oåtkomlig för barn.
- Lösgör sågbladets spänning genom att använda Rapidset™ spak för bladspänning för att förlänga bladets livslängd.
- Lås verkstaden.

### SLÅ PÅ/AV ARBETSLAMPAN

Se bild 13.

- Tryck på "☞" för att slå på arbetslampan.
- Tryck på "O" för att slå av arbetslampan.

### LUTA BORDET

Se bild 14.

- Lossa bordets låsknapp något.
- Vrid på vinkeljusteringsknappen och luta sågbordet tills det når önskad vinkel.
- Använd skalans indikator och kontrollera vinkelmarkeringarna.
- Dra åt bordets låsknapp igen för att hålla bordet säkert på plats.

### ANVÄNDA GERINGSLIKAREN

Se bilderna 15 - 16.

Geringslikaren kan ställas in maximalt 60° åt vänster eller åt höger.

- Lossa låsknappen på geringslikaren.





## Svenska (Översättning från originalinstruktioner)

- Med geringslikaren i spalten för likaren, rotera likaren tills den önskade vinkeln nås på index-skalan.
- Dra åt låsknappen igen.

### MONTERA KLYVANSLAGET

Klyvanslaget används för alla typer av klyvsågning. Klyvsåga aldrig på fri hand utan att anslaget är på plats och säkert låst.

- Placera anslaget vid önskad bredd för klyvsågningen och lås det på plats.
- Innan du påbörjar klyvsågningen, försäkra dig om att klyvanslaget är parallellt med sågbladet. Vid klyvsågning av långa brädor eller stora paneler, använd alltid ett arbetsstöd.
- Håll arbetsstycket mot klyvanslaget och mata det genom sågbladet med ett jämnt, stadigt tryck.

### INSTÄLLNINGAR

#### ⚠ VARNING

Innan du utför någon justering, säkerställ att verktyget kopplats bort från strömförsörjningen och att brytaren står i av-läget. Om inte denna varning hörsammas kan det leda till allvarlig personskada.

#### ⚠ VARNING

För att undvika personskador, se till att hålla korrekt inställning för bladspänning, spårföljning, sågbladsstyrningar och trycklager.

### MONTERA OCH JUSTERA SÅGBLADET

Se bild 17.

- Lossa och ta bort vingskruven, brickorna och D-muttern från sågbordet.
- Öppna frontkåporna genom att lossa kåpens låsskruv.
- Vrid låsknappen moturs för att låsa upp enheten för sågbladsstyrning. Vrid på knappen för sågbladsstyrning (medurs höjer enheten för sågbladsstyrning, moturs sänker med den) och placera enheten för sågbladsstyrning ungefär halvvägs mellan sågbordet och såghuset. Dra åt låsknappen igen.
- Öppna bladskyddet genom att dra vänster sida av skyddet utåt och bort från hjulet.
- Lösögör all spänning från bladet.
- Avlägsna försiktigt det gamla sågbladet.
- Använd handskar och rulla försiktigt ut det nya sågbladet till armlängds avstånd. Om det nya bladet är inoljat för att förebygga rost kan det behöva

torkas av för att förhindra att det kommer olja på ditt arbetsstycke. Torka försiktigt i tändernas riktning, så att inte trasan fastnar på sågbladets tänder.

**NOTERA:** Bladet kan behöva vändas ut och in om tänderna pekar i fel riktning. Håll bladet med båda händerna och rotera det inåt.

- Med sågbladets tänder vända mot sågens vänstra sida och pekande i riktning nedåt, för sågbladet genom de nedre sågbladsstyrningarna och runt båda hjulen.
- Vrid långsamt det övre hjulet åt höger, eller medurs, för hand, för att centrera bladet på gummiringarna.
- Försätt RapidSet™ spak för bladspänning i ingrepp igen och justera sedan bladspänningen. Kontrollera eller justera sågbladets spårföljning.
- Justera både de övre och nedre sågbladsstyrningarna och trycklagren, så som förklaras nedan i denna användarmanual.
- Sätt tillbaka vingskruven, brickorna och D-muttern. Dra åt ordentligt.
- Stäng bladskyddet och frontkåpan. Dra åt kåpens låsskruv.

### JUSTERA ENHETEN FÖR SÅGBLADSSTYRNING

Se bilderna 18 - 19.

För att förhindra att sågbladet vrids eller bryts av ska enheten för sågbladsstyrning alltid vara inställd på ungefär 3,2 mm (1/8") över arbetsstycket.

- Vrid låsknappen moturs för att låsa upp enheten för sågbladsstyrning.
- Som riktlinje för att ställa in enheten för sågbladsstyrning kan du använda ett kasserat stycke av samma trä som du avser att såga. Justera enheten för sågbladsstyrning genom att vrida på knappen för sågbladsstyrning.
- Lås enheten för sågbladsstyrning på plats genom att vrida låsknappen medurs.
- Lås alltid enheten för sågbladsstyrning på plats innan du slår på bandsågen.

### JUSTERA STÖD FÖR SÅGBLADSSTYRNING OCH TRYCKLAGER

Se bilderna 20 - 21.

**NOTERA:** Dra åt låsknappen och se procedurerna under "Justera bladspänningen" och "Bladets spårföljning" i avsnittet MONTERING i denna användarmanual innan du utför några justeringar.

Sågbladets övre och nedre trycklager stöder och guidar sågbladet under sågningen. Inställning av lager och styrningar ska kontrolleras närhelst ett annat sågblad monteras.





## Svenska (Översättning från originalinstruktioner)

### För att justera trycklagren:

Trycklagren stöder bladets bakre kant under sågningen. Sågbladet ska inte vara i kontakt med trycklagren när du slutar såga. Det är viktigt att både det övre och det nedre trycklagret är inställda på samma sätt.

- Öppna frontkåporna och bladskyddet.
- Använd en sexkantsnyckel och lossa de övre och undre trycklagrens skruvar, och skjut trycklagren till sågens bakre del.
- Kontrollera att sågbladet har korrekt spårföljning, och skjut sedan trycklagret framåt tills lagret befinner sig inom 0,4 mm (1/64") från bladet. Dra åt trycklagrets skruv ordentligt.
- Låt det undre lagret glida framåt tills det är på rätt avstånd. Dra åt trycklagrets skruv ordentligt.

### För att justera stöd till sågbladsstyrning:

- Lossa stödet för sågbladsstyrningen och ställskruvarna för sågbladsstyrningen med hjälp av sexkantsnycklar.
- Låt det övre stödet för sågbladsstyrning glida på skafet tills styrningarnas frontkanter kommer i kontakt med sågbladet bakom spånrummet. Dra åt skruven ordentligt.
- Skjut höger styrning så att den kommer i kontakt med sågbladet och släpp. Vrid hjulet långsamt ett helt varv. Dra åt sågbladsstyrningens ställskruv.
- Ställ in vänster styrning så att det finns 0,4 mm (1/64") avstånd mellan sågbladet och sågbladsstyrningen (ungefär motsvarande fjockleken på ett spelkort) genom att föra in ett spelkort mellan vänster styrning och sågbladet.
- Tryck på vänster styrningsstift för att hålla spelkortet på plats. Dra åt ställskruven och ta bort spelkortet.
- Vrid hjulet tre varv för hand för att säkerställa att bladet inte fastnar.
- Stäng bladskyddet och frontkåpan. Lås med skruven. Upprepa denna procedur för det nedre stödet för sågbladsstyrning.

### JUSTERA KLYVANSLAGET

- Lossa låshandtaget genom att vrida det moturs.
- Flytta klyvanlaget till önskad position.
- Tryck ned låshandtaget för att låsa anslaget position.
- Vrid på låshandtaget för att justera hur hårt klämmorna sitter.

### UNDERHÅLL

#### ⚠ VARNING

Använd endast identiska originaldelar när du servar maskinen. Användning av andra delar kan orsaka fara eller produktskada.

#### ⚠ VARNING

Använd alltid skyddsglasögon vid drift av produkten. Använd en ansiktsmask om det dammar mycket.

#### ⚠ VARNING

Innan du utför något underhåll, säkerställ att verktyget kopplats bort från strömförsörjningen och att brytaren står i av-läget. Om inte denna varning hörsammas kan det leda till allvarlig personskada.

### GENERELLT UNDERHÅLL

Undvik att använda lösningsmedel vid rengöring av plastdelar. De flesta plaster är känsliga för skador vid användning av olika typer av kommersiella lösningsmedel och kan skadas om du använder sådana. Använd en ren och torr trasa för att ta bort smuts, damm, olja, fett, osv.

#### ⚠ VARNING

Låt aldrig bromsvätska, bensin, petroleumbaserade produkter, penetrerande oljor och liknande komma i kontakt med plastdelar. Dessa kemiska produkter innehåller ämnen som kan skada, försvaga eller förstöra plasten, vilket kunde förorsaka allvarliga kroppsskador.

- Håll produkten ren.
- Avlägsna sågspån från produktens inre ofta och regelbundet.
- Låt inte kåda samlas på sågbordet, sågbladsstyrningarna eller trycklagren. Rengör dem med rengöringsmedel för gummi och kåda.
- Applicera ett tunt lager bilvax på sågbordet så att träet glider lätt under sågningen.

### Smörjning

Alla lager i det här verktyget är smörjda med tillräckligt mycket högkvalitativt smörjmedel för att räcka under maskinens hela livslängd, vid en normal användning. Därför behövs ingen ytterligare smörjning.



## Svenska (Översättning från originalinstruktioner)

### GUMMIRINGAR

#### Rengöra gummiringarna:

- Kåda och sågspån samlas på gummiringarna och måste avlägsnas med en fin stålborste eller ett trästycke. **Använd inte en vass kniv eller någon typ av lösningsmedel.**

#### Byta ut gummiringarna:

- Öppna frontkåpan och avlägsna sågbladet. Se avsnittet "Montera och justera sågbladet"
- Dra försiktigt av den slitna gummiringen från hjulet.
- Dra den nya gummiringen över hjulet.
- Sätt tillbaka sågbladet och stäng frontkåpan.

### BORSTE

Se bild 22.

Det finns en borste i såghuset, intill hjulet. Den hjälper till att skydda gummiringen och hjulet genom att borsta bort sågspån. När borsten blir sliten måste den ställas om eller ersättas.

- Ta bort skruven och brickan och dra sedan loss borsten.
- Placera den nya borsten i spåret.
- Sätt tillbaka brickan och skruven.

### TRANSPORT OCH FÖRVARING

Se bilderna 23 - 24.

- När produkten ska transporteras, koppla ur strömsladden, sänk ned bladskyddet och montera loss produkten. Förvara påskjutarstaven på sidan av det övre höljet. Lyft produkten i det övre höljet, så som visas. Förvara produkten på säker plats där inga barn kan komma åt den.
- Rengör produkten med en borste eller dammsugare före förvaring.

### MILJÖSKYDD



Råmaterialen ska återvinnas i stället för att kastas i hushållsavfallet. För att skona miljön ska verktyget, tillbehören och emballagen sorteras.

### SYMBOL



Säkerhetsvarning



CE-överensstämmelse



Läs alla instruktioner noggrant innan du startar produkten.



Använd skyddsglasögon



Bär hörselskydd.



FARA! Vass klinga.



Lås



Lås upp



Maximalt djup för sågning



Maximal bredd för sågning



Maximal vinkel för sågning



Drifhastighet



Sågbladsstorlek



Verktyget måste kopplas bort från elnätet innan underhåll utförs.



Gamla elektroniska produkter ska inte kastas med hushållssoporna. Återvinn där sådana faciliteter finns. Kontrollera med din lokala myndighet eller säljaren för att få återvinningstips.



## Svenska (Översättning från originalinstruktioner)

### FELSÖKNING

Problem	Möjlig orsak	Lösning
Motorn startar inte	<ol style="list-style-type: none"> <li>1. Problem med PÅ/AV-brytare eller strömkabel.</li> <li>2. Fel på motorn.</li> <li>3. Sägbladet fastnar.</li> </ol>	<ol style="list-style-type: none"> <li>1. Se till att slitna delar byts ut innan du använder produkten igen.</li> <li>2. Försök inte att utföra en reparation. Om verktyget måste repareras bör detta göras av en kvalificerad person.</li> <li>3. Ta bort material som fastnat.</li> </ol>
Bladet löper inte ungefär i mitten av det övre hjulet.	<ol style="list-style-type: none"> <li>1. Spärföljningen är felaktig.</li> </ol>	<ol style="list-style-type: none"> <li>1. Justera spärföljningen, se avsnittet <b>INSTÄLLNINGAR</b>, "Bladets spärföljning".</li> <li>2. Om den skadats ska kabeln omedelbart bytas ut av godkänd tekniker.</li> </ol>
Bandsågen saktar in under sågning.	<ol style="list-style-type: none"> <li>1. Skär för liten radie.</li> <li>2. Sägbladet är slött.</li> </ol>	<ol style="list-style-type: none"> <li>1. Stoppa matningen och dra tillbaka materialet som sågas något, tills bandsågen ökar hastigheten.</li> <li>2. Byt ut sågbladet.</li> </ol>
Sägbladet bryts.	<ol style="list-style-type: none"> <li>1. För hög bladspänning.</li> <li>2. Veck i bladet, orsakat av skärning av en för liten radie eller för snabb vridning av materialet under sågning.</li> <li>3. Trycklager repade eller roterat inte.</li> </ol>	<ol style="list-style-type: none"> <li>1. Justera spänningen. Se avsnittet <b>INSTÄLLNINGAR</b>, "Justera bladspänning".</li> <li>2. Använd rätt skärteknik. Se avsnittet "Drift".</li> <li>3. Ersätt trycklagren.</li> </ol>
Produkten bullrar vid drift.	<ol style="list-style-type: none"> <li>1. För hög bladspänning.</li> <li>2. Sägbladsstyrningar och lager är i kontakt med sågbladet.</li> </ol>	<ol style="list-style-type: none"> <li>1. Justera spänningen. Se avsnittet <b>INSTÄLLNINGAR</b>, "Justera bladspänning".</li> <li>2. Justera övre och nedre sågbladsstyrningar och lager. Se avsnittet <b>INSTÄLLNINGAR</b>, "Justera trycklager och stöd för sågbladsstyrning".</li> </ol>
Sägbladet skär inte rakt.	<ol style="list-style-type: none"> <li>1. Sägbladsstyrningar och lager är inte korrekt justerade.</li> <li>2. Slitet eller felaktigt sågblad.</li> </ol>	<ol style="list-style-type: none"> <li>1. Justera övre och nedre sågbladsstyrningar och lager. Se avsnittet <b>INSTÄLLNINGAR</b>, "Justera trycklager och stöd för sågbladsstyrning".</li> <li>2. Byt ut sågbladet.</li> </ol>
Sägbladsstyrningarna stannar inte i sitt läge.	<ol style="list-style-type: none"> <li>1. Sägbladsstyrningarnas skruvar har lossnat.</li> </ol>	<ol style="list-style-type: none"> <li>1. Dra åt sågbladsstyrningarnas skruvar ordentligt.</li> </ol>
Motorn är i gång, men sågbladet går inte runt	<ol style="list-style-type: none"> <li>1. Spänningen är inte rätt inställd.</li> <li>2. Drivremmen har gått av.</li> </ol>	<ol style="list-style-type: none"> <li>1. Använd spaken för bladspänning för att ställa in spänningen.</li> <li>2. Om den skadats ska kabeln omedelbart bytas ut av godkänd tekniker.</li> </ol>



**Suomi (Alkuperäisten ohjeiden käännös)****KUVAUS**

1. Terän kireyden nappi
2. Kannen lukkoruuvi
3. Paikkaikkuna
4. Työvalo
5. Teränsuojus
6. Sahanterä
7. Viisteasteikko
8. Pölynpoistoportti
9. Asteikko-osoitin
10. Kulman säätönappi
11. Asteikko
12. Pöydän lukitusvipu
13. Lukitusnappi
14. Teräohjaimen säätönappi
15. Teränkirstystyvipu
16. Kaulalevy
17. Paikan säätönappi
18. Käynnistys/sammutuskytkin
19. Sahapöytä
20. Alempi etupaneeli
21. Ylempi etupaneeli
22. Halkaisuvaste
23. Työvalon kytkin
24. Työntökapula
25. Ristipäinen ruuvinväännin (ei mukana)
26. Jakoavain (ei mukana)
27. Pieni yhdistelmäkulmain (ei mukana)
28. Kuusioavain , 3 mm
29. Kuusioavain , 4 mm
30. Kuusioavain , 5 mm
31. Prikka
32. Umpimutterit
33. Aluslevyt
34. Jalat
35. Lukkopultit
36. Kuusiomutterit
37. Tukijatke
38. Sahan jalustan reiät
39. D-mutteri
40. Siipiruuvi
41. Sahapöydän pidin
42. Teräohjainyksikkö
43. Säätöpultti
44. Kireyden vähentäminen
45. Kireyden lisääminen
46. Lukitusnappi
47. Viisteasteikon ura
48. Ristipääruuvit
49. Yläpyörä
50. Alemmat teräohjaimet
51. Alapyörä
52. Avaa
53. Lukko
54. Painelaakeri
55. Painelaakerin ruuvi
56. Teräohjaimen tukiruuvi
57. Ylemmän teräohjaimen tuki
58. Teräohjain
59. Teräohjaimen säätöruuvi
60. Teräohjaimen ruuvi
61. Alemman teräohjaimen tuki
62. Harja
63. Prikka
64. Ruuvit
65. Rengas







## Suomi (Alkuperäisten ohjeiden käännös)

Turvallisuus, tehokkuus ja käyttövarmuus ovat vannesahamme tärkeimpiä ominaisuuksia.

### KÄYTTÖTARKOITUS

Vannesaha on tarkoitettu puun ja puusta tehtyjen tuotteiden suoraviivaiseen leikkaukseen, kuvioleikkaukseen ja pyöreileikkaukseen.

Laitteen käyttäjän on oltava aikuinen henkilö, joka on lukenut käyttöoppaan ja ymmärtää laitteen käyttöön liittyvät riskit.

Sahaa tulee käyttää kuivissa olosuhteissa erinomaisessa työvalaistuksessa ja riittävästi tuuletetussa tilassa.

Tuote on tarkoitettu yksityiskäyttöön, ja sitä saa käyttää vain yllä kuvatulla tavalla; sitä ei ole tarkoitettu mihinkään muuhun käyttöön.

### YLEISET TURVALLISUUSVAROITUKSET

#### VAROITUS

Sähkötyökaluja käytettäessä on aina ryhdyttävä varotoimiin tulipalon, sähköiskun ja loukkaantumisen välttämiseksi. Lue kaikki ohjeet ennen tuotteen käyttöä, ja säilytä nämä ohjeet.

- **Pidä työalue esteettömänä.** Sotkuiset alueet ja pöydät voivat aiheuttaa loukkaantumisen.
- **Ota työalue huomioon.** Älä jätä työkaluja sateeseen. Älä käytä laitetta kosteassa tai märässä paikassa. Pidä työalue valoisana. Älä käytä laitetta helposti syttyvien nesteiden tai kaasujen läheisyydessä.
- **Suojaudu sähköiskulta.** Älä kosketa maadoitettuihin pintoihin (kuten putkiin, lämpöpattereihin, helioihin tai jääkaappeihin).
- **Pidä sivulliset etäällä.** Älä anna ulkopuolisten, erityisesti lasten, osallistua työhön tai koskettua laitetta tai jatkojohtoa, ja pidä heidät poissa työalueelta.
- **Varastoi käyttämättömät työkalut.** Käyttämättömän laitteen tulee olla varastoitu kuivaan paikkaan ja pois lasten ulottuvilta.
- **Älä pakota laitetta.** Se hoitaa työt paremmin ja turvallisemmin sillä vauhdilla, jota varten se on tarkoitettu.
- **Käytä oikeaa työkalua.** Älä pakota pientä työkalua tekemään järeää työkalua vaativaa työtä. Älä käytä laitetta muuhun kuin sille tarkoitettuun käyttöön; esimerkiksi, älä sahaa pyörösahalla oksia tai tukkeja.
- **Pukeudu asianmukaisesti.** Älä käytä löysiä vaatteita tai koruja, sillä ne voivat tarttua liikkuviin osiin. Ulkotöissä suositellaan käytettävän listamattomia suojakenkiä. Suojaa pitkät hiukset peittämällä ne.

- **Käytä suojavälineitä.** Käytä suojalaseja. Käytä kasvo- tai pölysuojainta tehdessäsi pölyistä työtä.
- **Kytke pölynimuri.** Jos laitetta varten on pölynpoistoa- ja keräyslaite, kytke se asianmukaisesti ja käytä sitä oikein.
- **Pidä huolta sähköjohdosta.** Älä koskaan irrota laitetta pistorasiasta vetämällä johdosta. Älä päästä johtoa koskettamaan kuumuuden lähteitä, öljyä tai teräviä reunoja.
- **Kiinnitä työkalupalle.** Kiinnitä työkalupalle puristimilla tai ruuvipenkillä aina, kun mahdollista. Se on turvallisempaa kuin käden käyttö.
- **Älä kurkota liian kauas.** Säilytä aina kunnollinen jalansija ja tasapaino.
- **Huolla laite huolella.** Pidä leikkuutyökalut terävinä ja puhtaina, jotta ne toimisivat paremmin ja turvallisemmin. Noudata voitelua ja lisävarusteiden vaihtoa koskevia ohjeita. Tarkista laitteen sähköjohdot säännöllisesti, ja jos ne ovat vioittuneet, korjauta ne valtuutetussa huoltopisteessä. Tarkista jatkojohto säännöllisesti ja vaihda se, jos se on vioittunut. Pidä kädensijat kuivina ja puhtaina liasta, öljystä ja rasvasta.
- **Irrota laitteet.** Irrota pistoke, kun laitetta ei käytetä, ennen huoltoa ja vaihtaessasi lisävarusteita, kuten terä ja leikkureita.
- **Poista säätöavaimet ja kiintoavaimet.** Opi tarkistamaan, että kaikki avaimet ja muut työkalut on poistettu laitteesta ennen sen käynnistämistä.
- **Älä anna koneen käynnistyä vahingossa.** Tarkista laitetta pistorasiaan kytkiessäsi, että se on "off"-asennossa.
- **Käytä ulkokäyttöön tarkoitettuja jatkojohtoja.** Kun laitetta käytetään ulkona, käytä sen kanssa ainoastaan jatkojohtoja, jotka on tarkoitettu ulkokäyttöön ja jotka on niin merkitty.
- **Ole valpas.** Katso mitä teet, käytä tervettä järkeä äläkä käytä laitetta, kun olet väsynyt.
- **Tarkista vioittuneet osat.** Ennen kuin painepesurin käyttöä jatketaan, se tulee tarkistaa huolella jotta voidaan olla varmoja, että ne toimivat kunnolla ja asianmukaisesti. Tarkista, että liikkuvat osat on kohdistettu oikein ja että ne liikkuvat kunnolla, että osia ei ole rikkoutunut, että osat on asennettu oikein ja että mikään muu seikka ei haittaa koneen toimintaa. Valtuutetun huoltopisteen on korjattava tai vaihdettava vioittunut suoja tai muu osa, ellei näissä käyttöohjeissa toisin mainita. Vaihdata vialliset katkaisimet valtuutetussa huoltopisteessä. Älä käytä laitetta, jos se ei käynnisty ja sammu katkaisimesta.
- **Varoitus.** Muun kuin tässä käsikirjassa suositellun lisälaitteen tai lisävarusteen käyttäminen voi aiheuttaa loukkaantumisvaaran.





## Suomi (Alkuperäisten ohjeiden käännös)

- **Anna laite pätevän henkilön korjattavaksi.** Tämä sähkölaite noudattaa asianmukaisia turvallisuussäädöksiä. Laitteen saa korjata vain pätevä henkilö käyttäen alkuperäisiä varaosia; muutoin korjauksesta voi aiheutua huomattava vaara käyttäjälle.

### VANNESAHAN TURVALLISUUSVAROITUKSET

- **Kiinnitä tai pulttaa saha tiukasti työpenkkiin tai jalkatelineeseen noin lantion korkeudelle.**
- **Älä koskaan käytä laitetta lattialla.**
- **Vältä huteraa käyttöä ja käsien asentoja, joissa lipsahdus voisi saada käden osumaan terään.** Pidä aina huoli siitä, että seisot tasapainossa.
- **Anna moottorin käynnistyä täyteen nopeuteen ennen leikkuun aloittamista juuttumisen tai sakkauksen välttämiseksi.**
- **Älä käytä laitetta, jos se ei käynnisty ja sammu katkaisimesta.** Vaihdata vialliset katkaisimet valtuutetussa huoltopisteessä.
- **Varaosat.** Koneen sähkö- ja mekaniikkajärjestelmään tehtävät korjaukset tulee teettää pätevällä huoltoasentajalla valtuutetussa huoltoliikkeessä.
- **Huollossa tulee käyttää ainoastaan identtisiä varaosia.** Muunlaisten osien käyttö voi aiheuttaa vaaran tai vioittaa laitetta.
- **Pidä kädet poissa leikkuualueelta.** Älä pitele kiinni niin pienistä kappaleista, että sormesi menevät teräsuojuksen alle. Älä kurota käsilläsi tai sormillasi mistään syystä työkalun alle tai terän leikkuuväylälle.
- **Älä koskaan leikkaa yhtä kappaletta enempää kerrallaan tai pinoa sahapöydälle kerrallaan kuin korkeintaan yhden työkalun.**
- **Älä syötä materiaalia liian nopeasti.** Älä pakota työkalua terää vasten.
- **Käytä ainoastaan oikeita teriä.** Käytä materiaalin ja leikkaustavan kannalta oikeaa teräkokoa ja mallia. Terän hampaiden tulee osoittaa pöytää kohti.
- **Tue pitkät työkalut aina leikkauksen aikana terän juuttumisen ja takapotkun vaaran minimoimiseksi.** Saha voi lipsua, lähteä liikkeelle tai liukua isoja tai raskaita levyjä leikattaessa.
- **Älä irrota juuttuneita, katkaistuja kappaleita ennen kuin terä on pysähtynyt.**
- **Älä käytä vaurioituneita tai vääntyneitä sahanteriä.**
- **Vaihda loppuun kulunut pöydän sisäke uuteen.**
- **Kytke saha pölynkeräimeen puuta sahattaessa.**
- **Älä käytä konetta, jos sahanterän suojuus on auki.**
- **Valitse sahanterä ja nopeus leikkattavan materiaalin perusteella.**
- **Älä puhdistu sahanteriä sen ollessa liikkeessä.**
- **Pidä käsiäsi terästä ja karkeaa materiaalia.**
- **Käytä työntökappaleita, kun leikkaat pieniä työkaluja suoraan vastetta käyttämällä.**
- **Kuljeta konetta teräsuojus täysin alhaalla lähellä pöytä.**
- **Sijoita vaste pöydän alapuolelle, kun teet vinoleikkauksia pöytä kallellaan.**
- **Käytä sopivaa kiinnityslaitetta, kun leikkaat pyöreää tai epäsäännöllisen muotoista puuta työkalun kiertymisen estämiseksi.**
- **Älä käytä suojuksia käsittelyyn eikä kuljetukseen.**
- **Säädä säädettävä suojuus mahdollisimman lähelle työkalua.**
- **Älä koskaan kosketa terää tai muuta liikkuvaa osaa käytön aikana.**
- **Kytke saha irti virtalähteestä ennen asetusten muuttamista ja kansien, suojusten tai terien irrottamista.**
- **Pidä työkalua aina lujasti pöytä vasten.**
- **Minimoi terän rikkoutuminen ja tue terä mahdollisimman hyvin tahattoman teräkosketuksen välttämiseksi.** Säädä teräohjainyksikkö aina juuri ja juuri loitolle työkalusta.
- **Pidä terät puhtaina ja terävinä ja varastoi niitä riittävästi.** Terävät terät minimoivat jumitumisen ja takaisinpotkun.
- **Sammuta saha aina ennen pistokkeen irrottamista, jotta se ei vahingossa käynnisty kun pistoke kytketään takaisin.**
- **Varmista ennen sahan käyttöä, että työalueen valaistus on riittävä, jotta näet työalueen, ja että mitkään esteet eivät heikennä työturvallisuutta.**
- **Teräohjaimiin on tehty esiasetukset tehtaalla.** Nämä asetukset toimivat tiettyihin sovelluksiin. Suosittelemme, että tarkistat ja säädät teräohjaimen asetukset ennen sahan ensimmäistä käyttökertaa. Katso tämän käyttöoppaan SÄÄDÖT-osiosta selitetyt toimenpiteet "Painelaakereiden ja teräohjaimen tuen säätö".
- **Älä käytä konetta metallin leikkuuseen.**
- **Tässä laitteessa tulisi olla seuraavat merkinnät:**
  - Käytä suojalaseja
  - Pidä kädet kaukana terästä.
  - Älä irrota juuttuneita tai katkaistuja kappaleita ennen kuin terä on pysähtynyt.
  - Asenna terä ehdottomasti niin, että terät osoittavat alaspäin.
  - Ylläpidä teräkiireyden, teräohjainten ja





## Suomi (Alkuperäisten ohjeiden käännös)

painelaakerien oikeaa säätöä.

- Säädä yläohjain juuri ja juuri pois työkappaleesta.
  - Pidä työkappaletta lujasti pöytää vasten leikkuun aikana.
- **Jos virtajohto voittouu, se on vaihdettava ainoastaan valmistajalla tai valtuutetussa huollossa, jotta vältytään vaaroilta.**
- **Säilytä nämä ohjeet.** Viittaa niihin säännöllisesti ja käytä niitä kouluttaessasi muita käyttäjiä. Jos lainaat laitteen, lainaa mukana myös ohjeet.

### SÄHKÖTURVALLISUUS

#### JATKOJOHDOT

Käytä ainoastaan kolmijohtoisia sähköjohtoja, joissa on kolmihaarainen maadoituspistoke, sekä kolmireikäisiä pistorasioita, joihin laitteen pistoke sopii. Jos käytät sähkötyökalua hyvin kaukana virtalähteestä, käytä jatkojohtoa, joka on riittävän paksu kestämään laitteen ottama virta. Liian pieni jatkojohto saa jännitteen pienemään, tehon vähenemään ja moottorin ylikuumentamaan.

Tarkasta jatkokaapeli ennen sen käyttöä irtonaisten tai paljaiden johdinten ja haljenneen tai kuluneen eristyksen varalta.

#### VAROITUS

Pidä jatkojohto työalueen ulkopuolella. Aseta johto siten, että se ei sähkötyökalua käytettäessä takerru puunpaloihin, työkaluihin tai muihin esteisiin. Tämän ohjeen laiminlyönti voi aiheuttaa vakavia ruumiinvammoja.

#### VAROITUS

Tarkista jatkojohdot ennen käyttöä. Vaihda voittunut osa välittömästi. Älä koskaan käytä laitetta voittuneen johdon kanssa, sillä viittuneen alueen koskettaminen voi aiheuttaa sähköiskun ja vakavan vamman.

#### SÄHKÖLIITÄNNÄT

Tässä laitteessa on täsmätyönä valmistettu sähkömoottori. Sen saa kytkeä ainoastaan vaihtovirranlähteeseen, jonka jännite on 220–240V voltia ja taajuus 50 Hz (tavallinen kotitaloudessa käytettävä virta). Älä käytä tätä laitetta tasavirralla. Suuri jännitteen pudotus katkaisee virran, ja moottori ylikuumentaa. Jos laite ei toimi kytkettyinä pistorasiaan, tarkista virtalähde uudelleen.

#### NOPEUS JA KYTKENNÄT

Tämän koneen kuormittamaton nopeus on n. 11 m/s. Tämä nopeus ei ole vakio, vaan pienenee kuormituksen

ja jännitteen laskiessa. Jännitteen osalta liikkeessä tehty johdotus on yhtä tärkeä kuin moottorin syöttöteholuokitus. Ainoastaan valoilte tarkoitettu johto ei kestä sähkötyökalun moottoria. Lyhyet matkat kestävä sähköjohto on liian kevyt pitkille matkoille. Johto, joka tukee yhtä sähkötyökalua, ei välttämättä tue kahta tai kolmea.

#### MAADOITUSOHJEET

Tämä tuote on maadoitettava. Jos siihen tulee vika tai se rikkoutuu, maadoitus tarjoaa sähkövirralle pienimmän vastuksen ja pienentää sähköiskun vaaraa. Tämän laitteen sähköjohtossa on laitteen maadoitusjohdin sekä maadoituspistoke. Pistoke on kytkettävä sitä vastaavaan pistorasiaan, joka on asennettu asianmukaisesti ja maadoitettu kaikkien paikallisten koodien ja säädösten mukaisesti.

Älä tee muutoksia laitteen mukana tulleeseen pistokkeeseen. Jos se ei mahdu pistorasiaan, pyydä pätevää sähköasentajaa asentamaan oikeanlainen pistorasia. Korjaa tai vaihda voittunut tai kulunut johto välittömästi.

#### KÄYTÖN RISKIT

Vaikka tuotetta käytettäisiin ohjeiden mukaisesti, ei ole mahdollista täysin eliminoida tiettyjä käyttöön liittyviä riskitekijöitä. Käytössä voi aiheutua seuraavia vaaroja, ja käyttäjän tulee kiinnittää erityistä huomiota niiden välttämiseen:

- Työkappaleen ja sen osien potkaisu- tai heilailuvaurion riskin vähentämiseksi säädön tai käsittelyn takia.
- Hengitystieauriot.  
**HUOM:** Käytä suodattimella varustettua hengityssuojainta, joka sopii käsiteltävälle materiaalille. Huolehdi työpaikalla riittävästä tuuletuksesta. Älä syö, juo tai tupakoi työalueella.
- Kuulovamma, jos ei käytetä tehokkaita kuulosuojaimia.

#### TUNNE TUOTTEESI

*Katso kuvaa 1.*

Laitteen turvallinen käyttö edellyttää, että käyttäjä ymmärtää sen sekä tämän käyttöoppaan tiedot sekä suoritettavan tehtävän. Perehdy työkalun toimintoihin ja turvallisuutta koskeviin erikoisuuksiin ennen sen käyttöä.

#### KULMAN SÄÄTÖNUPPI

Kallistaa sahapöydän vinoleikkausta varten.

#### TERÄNSUOJUS

Suojaa käyttäjää terän kosketukselta.





## Suomi (Alkuperäisten ohjeiden käännös)

### TERÄOHJAIMEN SÄÄTÖNUPPI

Käytä teräohjaimen säätönuppia teräohjainyksikön säätöön ylhäällä ja alhaalla ja terän vääntymisen ja rikkoutumisen estoon. Lukitse teräohjainyksikkö aina paikalleen ennen vannesahan käynnistämistä.

### TERÄOHJAIMET

Ylempi ja alempi teräsuojuus auttavat estämään terän vääntymistä käytön aikana.

### PÖLYNPOISTOPORTTI

53 mm (2-1/8") pölynpoistoportti mahdollistaa pölyttömän leikkaamisen. Liitä pölypussi (ei sisälly toimitukseen) tai imuri pölynpoistoporttiin.

### KANNEN LUKKORUUVI

Mahdollistaa etukannen avaamisen säätöjen tekoa varten.

### VIESTEASTEIKKO

Tämä asteikko linjaa puun poikkileikkausta varten. Helppolukuisen osoitin näyttää tarkan kulman viisteleikkausta varten kulmissa 15°, 30°, 45° ja 60°.

### RAPIDSET™-TERÄNKIRISTYSVIPU

Ohjaa terän kireyttä teriä vaihdettaessa ja tehtäessä säätöjä eri sahaussovelluksia varten.

### SAHANTERÄ

Saha toimitetaan normaalin 6,35 mm (1/4") terän kanssa.

### SAHAPÖYTÄ JA KAULALEVY

Vannesahaan kuuluu sahapöytä kallistussäädöllä. Sahapöytään tehtaalla asennettu kaulalevy mahdollistaa terävälkyksen.

### ASTEIKKO JA ASTEIKKO-OSOITIN

Asteikko ja asteikko-osoitin ilmaisevat kulman tai asteen, johon sahapöytä kallistetaan vinoleikkausta varten.

### PÖYDÄN LUKITUSVIPU

Pöydän lukitusvipun avaaminen mahdollistaa sahapöydän kallistamisen eri kulmiin. Pöydän lukitusvipun kiristäminen lukitsee sahapöydän paikalleen.

### PAIKAN SÄÄTÖNUPPI

Säätää paikan terän pitämiseksi keskitettynä pyöriin.

### PAIKKAIKKUNA

Paikkaikkuna helpottaa paikkasäätöjen näkemistä.

### TYÖNTÖKAPULA

Käytä työntökapulaa aina työkappaleen syöttöön, kunnes se on poissa pöydältä.

### OSALUETTELO

Kuvaus	Määrä
Aluslevyt	7
Pöydän lukitusvipu	1
Kuusioavain , 3 mm	1
Kuusioavain , 4 mm	1
Kuusioavain , 5 mm	1
Viisteasteikko	1
Umpimutterit	4
Jalat	4
Sahapöytä	1
Lukkopultit	2
Kuusiomutterit	2
Jatkon tuki	1
Halkaisuvaste	1
Työntökappula	1
Käyttöopas	1

### KOKOAMINEN

#### PAKKAUKSEN PURKAMINEN

Tämä tuote täytyy koota.

- Nosta tuote varoen pahvista ja sijoita se tasaiselle työalustalle.

#### VAROITUS

Älä käytä tätä tuotetta, jos jotain irtonaisten osien luetteloon kuuluvia osia on jo koottuna tuotteeseen, kun purat sen pakkauksesta. Valmistaja ei kokoa tähän luetteloon sisältyviä osia laitteeseen, vaan asiakkaan tulee asentaa ne. Virheellisesti kootun koneen käyttö voi aiheuttaa vakavia henkilövammoja.

- Tarkasta tuote huolellisesti ja varmista, ettei siinä ole kuljetuksen aiheuttamia rikkoutumisvahinkoja tai vaurioita. **HUOM:** Tämä saha on toimitettu terä kiristämättömänä. Älä käynnistä tätä sahaa ennen kuin terän kireys on oikein säädetty.
- Älä hävitä pakkausmateriaaleja, ennen kuin olet tarkastanut huolella työkalun ja käyttänyt sitä onnistuneesti.





## Suomi (Alkuperäisten ohjeiden käännös)

- Jos on vaurioituneita tai puuttuvia osia, kysy neuvoa omasta huoltoliikkeestä.

### VAROITUS

Jos on vaurioituneita tai puuttuvia osia, älä käytä laitetta ennen kuin osat on korvattu uusiin. Jos tässä koneessa on vaurioituneita osia tai niitä puuttuu, sen käyttö voi aiheuttaa vakavia henkilövammoja.

### VAROITUS

Älä yritä tehdä muutoksia työkaluun tai liittää siihen lisävarusteita, joita ei ole suositeltu sen kanssa käytettäväksi. Tällainen muuntelu on väärinkäyttöä ja saattaa johtaa vaarallanteeseen, joka saattaa aiheuttaa mahdollisen vakavan vamman.

### VAROITUS

Älä liitä konetta virtalähteeseen ennen kuin se on täysin koottu. Ohjeen laiminlyönti voi aiheuttaa tahattoman käynnistyksen ja mahdollisesti henkilövammoja.

## KONEEN ASENNUS TYÖPENKKIIN

Jos kone on tarkoitettu käytettäväksi pysyvässä paikassa, se täytyy asentaa lujalle tukipinnalle kuten työpenkkiin. Sahan jalustassa on tätä tarkoitusta varten neljä pulttireikiä. Pulttien (eivät sisälly toimitukseen) täytyy olla riittävän pitkiä, jotta niihin sopivat sahan jalusta, lukkoaluslevyt (eivät sisälly toimitukseen), kuusiomutterit (eivät sisälly toimitukseen) ja työpenkki paksuudeltaan. Kiristä kaikki neljä pulttia tiukalle.

Tarkasta työpenkki varoen asennuksen jälkeen ja varmista, ettei se voi liikkua käytön aikana. Jos havaitaan kallistumista, liukumista tai liikettä, kiinnitä työpenkki lattiaan ennen käyttöä.

- Sijoita kone työpenkin päälle. Käytä sahan jalustaa mallina ja paikanna ja merkitse reiät, joihin kone asennetaan.
- Poraa reiät työpenkin läpi.
- Sijoita vannesaha työpenkin päälle ja kohdista sahan jalustan reiät työpenkkiin porattuihin reikiin.
- Laita pultit (eivät sisälly toimitukseen) reikiin ja kiristä ne tiukalle lukkoaluslevyillä ja kuusiomuttereilla (eivät sisälly toimitukseen).  
**HUOM:** Kaikki pultit on työnnettävä paikoilleen ylhäältä päin. Asenna lukkoaluslevyt ja mutterit penkin alapuolelta.

## KONEEN KIINNITYS TYÖPENKKIIN

*Katso kuvaa 4.*

Jos konetta on tarkoitus käyttää siirrettävänä työkaluna,

se on suositeltavaa kiinnittää ensin lujasti asennuslevyyn, joka voidaan sitten helposti kiinnittää työpenkkiin tai muuhun tukitasoon. Asennuslevyn pitää olla riittävän suuri, jotta saha ei keikahta käytön aikana. Suositeltavaa on hyvä vaneri tai lastulevy, jonka paksuus on 19 mm (3/4").

Jos käytät kuusiokantaisia ruuveja, varmista, että ne ovat asennukseen riittävän pitkiä, ts. yltyvät sahan jalustan läpi asennuslevyn pintaan. Jos käytät konepultteja, varmista, että pultit ovat riittävän pitkiä lävistämään sahan jalustan reiät, asennuslevyn, lukkoaluslevyt ja kuusiomutterit.

### HUOM: KUUSIOMUTTERIT JA ALUSLEVYT SAATETAAN JOUTUA UPOTTAMAAN ASENNUSLEVYN ALAPUOLELTA.

- Asenna saha levyyn käyttämällä sahan jalustassa olevia reikiä reikämallina. Paikanna ja merkitse reiät, joihin vannesaha asennetaan.
- Suorita edellä olevan Koneen asennus työpenkkiin -luvun kolme viimeistä vaihetta.

## SAHAPÖYDÄN ASENNUS

*Katso kuvaa 5, 7.*

- Irrota sahapöydästä d-mutteri, aluslevyt ja siipiruuvi.
  - Seiso vannesahan etupuolella, liu'uta sahapöytä terän ohi ja ja aukon läpi siirtymällä sahapöydän oikealta puolelta vasemmalle.
  - Pidä sahapöydästä kiinni vasemmalla kädellä ja vedä kulman säätönuppia ulospäin sahan kehuksesta, kohdista sahapöydän pitimen hampaat kulman säätönupin hampaisiin. Vapauta nuppi.
  - Kiinnitä tapit kehukseen sahapöydän pitimen reikiin.
  - Laita aluslevy pöydän lukitusvivun kierrepäähän. Kiristä sahapöytä sahan kehukseen pöydän lukitusvipua myötäpäivään kääntämällä.
  - Kiinnitä sahapöytään d-mutteri, aluslevyt ja siipiruuvi.
- HUOM:** Siipiruuvi tulee sahapöydän alapuolelle.

## TUKIJATKEEN ASENTAMINEN

*Katso kuvaa 6.*

- Työnnä tukijatkeen putket sahan jalustassa oleviin reikiin takapuolelta.
- Kohdista putkien reiät sahan jalustan reikiin.
- Aseta lukkopultit paikalleen ja kiristä aluslevyillä ja kuusiomuttereilla.

## SAHAPÖYDÄN SÄÄTÄMINEN SUORAKULMAAN SUHTEESSA TERÄÄN

*Katso kuvaa 8 - 9.*

- Käännä lukitusnuppia vastapäivään teräohjainyksikön avaamiseksi lukituksesta. Käännä teräohjaimen säätönuppia myötäpäivään, nosta teräohjainyksikköä





## Suomi (Alkuperäisten ohjeiden käännös)

niin pitkälle kuin se on mahdollista. Kiristä jälleen lukitusnuppia myötöpäivään kääntämällä.

- Laita pieni yhdistelmäkulmain sahapöydälle terän viereen.
- Avaa pöydän lukitusvipua ja kierrä kulman säätönuppia sahapöydän kallistamiseksi ylös- tai alaspäin, jotta pöytä tulee kohdistetuksi 90° kulmaan suhteessa terään (0° asento). Kiristä pöydän lukitusvipu jälleen.
- Käännä säätöpulttia, kunnes pultti koskettaa hieman sahan runkoa.
- Tarkasta, että sahapöytä on suorassa kulmassa suhteessa terään. Säädä uudelleen tarvittaessa.
- Aseta asteikko-osoitin nollaan ja kiristä ruuvi ristipäisellä ruuvinvääntimellä.

**HUOM: Tee aina koeleikkaus terän suorakulmaisen asennon varmistamiseksi ennen uuden projektin aloittamista.** Ellei se ole suorassa kulmassa, säätöä varten saattaa olla tarpeellista avata ruuveja sahapöydän alapuolelta (viisteaukon täytyy olla samansuuntainen sahanterän kanssa). Kun terä on suorassa kulmassa, kiristä ruuvit jälleen.

### TERÄN KIREYDEN SÄÄTÄMINEN

*Katso kuvaa 10-11.*

- Kytke kone pois päältä.
- Kiristä terää ennen vannesahan käyttöä terän kireyden nuppia sahan päältä myötöpäivään kääntämällä.
- HUOM: Terän kireyttä voidaan säätää milloin tahansa.
- Näppäile sahanterän suoraa takareunaa kuin kitaran kieltä samalla kun käännät kireyden nuppia.

Ääni muuttuu korkeammaksi kireyden lisääntyessä. Älä koskaan kiristä terää niin kireälle, että jousi tulee yhteenpuristetuksi. Täysin yhteenpuristetuna jousi ei enää voi toimia iskunvaimentimena.

Liika kireys voi aiheuttaa terän rikkoutumisen. Paksummat työkappaleet vaativat suuremman kireyden; enimmäiskireyttä ei tarvita kaikkiin leikkauksiin. Liian vähäinen kireys voi aiheuttaa terän luiskahtamisen pyörille.

### TERÄN PAIKKA

*Katso kuvaa 11.*

Säädä terän kireys sopivaksi ennen sen paikan säätämistä. Varmista, etteivät teräohjaimet häiritse terää. Terän välin (terähampaan syvä osa) täytyy olla renkaan keskellä.

### Säätäminen:

Kytke irti virtalähteestä. Avaa etukannet ruuvaamalla kannen lukkoruuvi auki. Katso terän asentoa ylempään renkaan päällä samalla kun siirät ylempää pyörää hitaasti käsin myötöpäivään. Jos terä liikkuu pois renkaan

keskeltä, terän paikkaa täytyy säätää.

### Jos terä liikkuu keskeltä vasemmalle tai oikealle:

- Käännä paikan säätönuppia (myötöpäivään, jos terä on liikkunut vasemmalle; vastapäivään, jos terä on liikkunut oikealle) ja käännä samalla pyörää käsin, kunnes terä liikkuu takaisin ja ajaa renkaan keskikohtaan.
- Tarkasta terän asento alemman renkaan päällä. Terän täytyy olla kokonaan renkaan päällä (terähampaan syvä osa keskellä). Ellei näin ole, säädä paikkaa, kunnes terä on molempien renkaiden päällä.
- Käännä yläpyörää käsin myötöpäivään muutama kierrosta lisää. Varmista, että terä pysyy samassa paikassa renkaiden päällä. Säädä uudelleen tarvittaessa, kunnes terän paikka on oikea.
- Sulje etukannet ja kiristä kannen lukkoruuvi.
- Kytke kone päälle
- Varmista, että sahanterä on keskitetty renkaaseen (paikkaikkunan kautta). Ellei se ole keskitetty, toista yllä olevat vaiheet.

### VAROITUS

Teräohjaimiin on tehty esiasetukset tehtaalla. Nämä asetukset toimivat tiettyihin sovelluksiin. Suosittelemme, että tarkistat ja säädät teräohjaimen asetukset ennen sahan ensimmäistä käyttökertaa. Katso tämän käyttöoppaan osiossa "Säädöt" selitetyt toimenpiteet "Teräohjaimen tuen ja painelaakereiden säätö".

### HALKAISUVASTEEN ASENNUS

- Sijoita halkaisuvaste sahapöydän vasemmalle puolelle, niin että lukituskahva tulee etupuolelle.
- Lukitse halkaisuvaste paikalleen lukituskahvaa alaspäin painamalla.
- Säädä kiinnitinten kireyttä lukituskahvaa kääntämällä.

### KÄYTTÖ

### VAROITUS

Älä unohda valppautta kun olet oppinut työkalun käytön. Muista aina, että pieninkin hetken kestävä huolimattomuus voi johtaa vakavaan loukkaantumiseen.



## Suomi (Alkuperäisten ohjeiden käännös)

### VAROITUS

Käytä aina suojalaseja. Tämän ohjeen laiminlyönti voi aiheuttaa kappaleiden sinkoutumista silmiin käytön aikana ja aiheuttaa täten vakavia silmävammoja.

### VAROITUS

Älä käytä muita kuin tämän tuotteen valmistajan suosittelemia lisälaitteita. Muiden kuin suositeltujen lisävarusteiden käyttö voi aiheuttaa vakavan loukkaantumisen.

### VAROITUS

Säädä teräohjainyksikkö juuri ja juuri loitolle työkappaleesta teräkosketuksen välttämiseksi. Tämän ohjeen laiminlyönti voi aiheuttaa vakavia ruumiinvammoja.

### VAROITUS

Älä koskaan käytä konetta, ellei teräsuojus ole paikallaan eivätkä etukannet lukittuina. Sellainen voi aiheuttaa vakavia henkilövammoja.

### VANNESAHAN PERUSTOIMINTA

Vannesaha on periaatteessa kaaria leikkaava kone, jota voidaan käyttää myös suoraviivaiseen leikkukseen kuten poikkileikkukseen, viisteleikkukseen, vinoleikkukseen, yhdistelmäleikkukseen ja jakosahukseen. Kun vannesahaa käytetään suoraviivaiseen leikkukseen, käyttäjä voi asentaa vasteen käyttämällä siihen sopivankokoista puukappaletta, joka kiinnitetään pöytään kiinnittimillä "C". Sillä ei voi tehdä sisä- eikä ei-läpileikkauksia.

Seuraa koneen käyntiä ennen leikkauksen aloittamista. Jos havaitset liiallista tärinää tai epätavallista melua, pysäytä kone välittömästi. Katkaise koneesta virta ja kytke se irti sähköverkosta. Älä käynnistä sitä uudelleen ennen kuin ongelma on paikannettu ja korjattu.

### KATKAISEMINEN

- Pidä työkappaletta aina lujasti pöytää vasten.
- Syötä työkappale terään molemmin käsin vähän painamalla. Älä pakota työkappaletta; anna terän leikata.
- Terän leveys määrittää halkaisijaltaan pienimmän mahdollisen ympyrän, joka voidaan leikata. 6,35 mm (1/4") leveä terä leikkaa vähimmäishalkaisijan 38 mm (1-1/2").
- Pidä kädet kaukana terästä. Älä pitele kiinni

niin pienistä kappaleista, että sormesi menevät teräsuojuksen alle.

- Vältä outoja toimenpiteitä ja käsiasentoja, joissa yhtäkkiäinen lipsahtaminen terään voi aiheuttaa vakavia vammoja. Älä koskaan laita käsiä terän reitille.
- Käytä lisätukia (pöytiä, sahapukkeja, palikoita yms.) isoja, pieniä ja outoja työkappaleita leikattaessa.
- Älä koskaan korvaa henkilöllä pöydän jatketta tai työkappaleen, joka on perussahapöytää pidempi tai leveämpi, lisätukea.
- Suunnittele työ, kun leikkaat muodoltaan epäsäännöllisiä työkappaleita, jottei terä juutu. Esimerkiksi mallineen täytyy maata tasaisena sahapöydällä. Työkappaleet eivät saa kiertyä, liikkua tai luiskahtaa leikkauksen aikana.

Terä voi esimerkiksi juuttua uraan (leikkukseen) työkappaleen tuennan aikana. Sen aiheuttaa yleensä uran tukkiva sahajauho tai terän poistuminen ohjaimista. Jos näin käy:

- Kytke kone pois päältä. Odota, kunnes terä on pysähtynyt kokonaan ja täydellisesti. Kytke kone irti virtalähteestä.
- Kampea ura auki litteäpäisellä ruuvinvääntimellä tai puukiillalla.
- Avaa etukansi ja käännä yläpyörää käsin ja tue samalla työkappaletta.

### APULEIKKAUS

Apuleikkauksia tehdään, kun täytyy leikata vaikea kaari (terälle liian pieni säde). Leikkaa työkappaleen jäteosan läpi kaaren malliviivaan ja sitten peruuta terä varoen ulos. Vaikeita kaaria varten täytyy tehdä useita apuleikkauksia ennen malliviivan leikkaamista, sillä kaaresta pois leikattavat osat "vähentävät" terän painetta.

### KAAREVA LEIKKAUS

Normaalissa kuvioleikkauksessa voit seurata malliviivoja työkappaletta samanaikaisesti työntämällä ja kääntämällä. Älä yritä kääntää työkappaletta ilman työntämistä sen ollessa terässä - työkappale voi juuttua terään tai väntää sitä.

### JUUTTUNEEN MATERIAALIN IRROTTAMINEN

Älä koskaan irrota juuttuneita, katkaistuja kappaleita ennen kuin terä on pysähtynyt kokonaan ja täydellisesti.

- Kytke kone pois päältä. Odota, kunnes terä on pysähtynyt kokonaan ja täydellisesti.
- Irrota kone virtalähteestä ennen juuttuneen materiaalin irrottamista.

### TAPATURMIEN VÄLTÄMINEN

- Varmista, että saha on vaakasuorassa asennossa eikä heilu. Sahan täytyy olla aina lujalla, tasaisella



## Suomi (Alkuperäisten ohjeiden käännös)

alustalla ja sen ympärillä tulee olla runsaasti tilaa työkappaleiden käsittelyä ja riittävää tukemista varten.

- Pulttaa saha tukialustalle sen luiskahtamisen, liikkumisen ja liukumisen estämiseksi esimerkiksi pitkien, raskaiden lautojen leikkuun aikana.
- Katkaise sahasta virta ja irrota virtajohto pistorasiasta ennen sahan liikuttamista.
- Älä irrota juuttuneita, katkaistuja kappaleita ennen kuin terä on pysähtynyt kokonaan ja täydellisesti.
- Valitse materiaalin ja leikkaustavan kannalta oikea terä koko ja malli.
- Varmista, että terän hampaat osoittavat alaspäin sahapöytää kohti, että teräohjaimet, painelaakerit ja terän kireys ovat oikein säädettyjä, että teräohjaimen nappi on tiukalla ja ettei millään osilla ole liikaa liikkumavaraa.
- Minimoi terän rikkoutuminen ja tue terä mahdollisimman hyvin tahattoman teräkosketuksen välttämiseksi. Säädä teräohjainyksikkö aina juuri ja juuri loitolle työkappaleesta.
- Käytä ainoastaan suositeltuja lisälaitteita.
- Poista kaikki sahapöydältä ennen sahan käynnistämistä työkappaletta ja siihen liittyviä tukilaitteita lukuun ottamatta.
- Tue kunnolla pyöreä materiaali, kuten puutappitangot ja putket, sillä niillä on taipumusta pyöriä leikkuun aikana, mikä aiheuttaa terän "puremia". Tämä vältetään käyttämällä aina "V"-palikoita tai kiinnittämällä työkappale viisteasteikkoon.
- Ennen kuin poistat irtonaiset kappaleet sahapöydältä, katkaise sahasta virta ja odota kaikkien liikkuvien osien pysähtymistä.

### KONEEN VIRRAN KYTKEMINEN PÄÄLLE/POIS

*Katso kuvaa 12.*

- Käynnistä kone painamalla "I".
- Sammuta kone painamalla "O".

### ENNEN KONEEN LUOTA POISTUMISTA

*Katso kuvaa 12.*

- Kytke kone pois päältä. Odota, kunnes terä on pysähtynyt kokonaan ja täydellisesti.
- Kytke kone irti virtalähteestä.
- Tee verstaasta lapsiturvallinen.
- Vapauta sahanterän kireys Rapidset™ -teränkiristysvivulla terän kestoiän pidentämiseksi.
- Lukitse verstas.

### TYÖVALON KYTKEMINEN PÄÄLLE/POIS

*Katso kuvaa 13.*

- Kytke työvalo päälle painamalla "☀️".

- Kytke työvalo pois päältä painamalla "O".

### POYDÄN KALLISTAMINEN

*Katso kuvaa 14.*

- Löysää hieman pöydän lukitusnuppia.
- Käännä kulman säätönuppia, kallista sahapöytää, kunnes se on halutussa kulmassa.
- Tarkista kulmamerkinnot asteikko-osoitimesta.
- Kiristä pöydän lukitusnappi sahapöydän pitämiseksi turvallisesti paikallaan.

### VIISTEASTEIKON KÄYTTÖ

*Katso kuvaa 15 - 16.*

Viisteasteikkoa voidaan säätää enintään 60° oikealle tai vasemmalle.

- Avaa viisteasteikon lukitusnuppia.
- Kun viisteasteikko on viisteasteikon urassa, kierrä asteikkoa, kunnes asteikossa saavutetaan haluttu kulma.
- Kiristä lukitusnappi jälleen.

### HALKAISUVASTEEN KÄYTTÖ

Halkaisuvastetta käytetään kaikissa halkaisutoimenpiteissä. Älä koskaan halkaise käsivarsisesti ilman että vaste on paikallaan turvallisesti lukittuna.

- Sijoita vaste haluttuun halkaisuleveyteen ja lukitse se paikalleen.
- Varmista ennen halkaisun aloittamista, että halkaisuvaste on sahanterän kanssa samansuuntainen. Käytä aina työtukea, kun halkaiset pitkiä lautoja tai leveitä levyjä.
- Pidä kappaletta vastetta vasten ja syötä se sahanterän läpi tasaisella, jatkuvalla paineella.

### SÄÄDÖT

#### ⚠️ VAROITUS

Varmista ennen säätöjen tekoa, että kone on kytketty irti verkkovirrasta ja virta on katkaistu myös kytkimestä. Tämän varoituksen laiminlyönnistä voi seurata vakava loukkaantuminen.

#### ⚠️ VAROITUS

Ylläpidä teräkireyden, teräpaikan, teräohjainten ja painelaakerien oikeaa säätöä henkilövammojen välttämiseksi.







## Suomi (Alkuperäisten ohjeiden käännös)

### TERÄN ASENNUS JA SÄÄTÖ

*Katso kuvaa 17.*

- Avaa ja irrota sahapöydästä siipiruuvi, aluslevyt ja d-mutteri.
- Avaa etukannet ruuvaamalla kannen lukkoruuvi auki.
- Käännä lukitusnuppia vastapäivään teräohjainyksikön avaamiseksi lukituksesta. Sijoita teräohjainyksikkö suurin piirtein puolimatkaan sahapöydän ja sahakotelon väliin teräohjaimen nuppia kääntämällä (myötäpäivään nostaa teräohjainyksikköä, vastapäivään laskee sitä). Kiristä lukitusnuppi jälleen.
- Avaa teräsuojus vetämällä suojuksen vasen puoli ulos ja pois pyörästä.
- Vapauta terästä kokonaan kireys.
- Irrota vanha terä varoen.
- Käytä käsiineitä ja kelaä uusi terä varoen käsivarren pituuteen. Jos uusi terä on voideltu ruostumisen estämiseksi, voi olla välttämätöntä pyyhkiä öljy pois, ettei se likaa työkalua. Pyyhi huolellisesti hammasten osoittamaan suuntaan, ettei riepu tartu sahanterän hampaisiin.

**HUOM:** Jos hampaat osoittavat väärään suuntaan, terä täytyy kääntää toisin päin. Pidä terästä kiinni molemmin käsin ja käännä se sisäänpäin.

- Kun terän hampaat osoittavat sahasta vasemmalle ja alaspäin, laita terä alempien teräohjainten läpi ja kummankin pyörän ympärille.
- Käännä ylempää pyörää käsin hitaasti oikealle tai myötäpäivään terän keskittämiseksi kumirenkaiden päälle.
- Kytke jälleen RapidSet™-teränkieristysvipu, säädä sitten terän kireyttä; tarkasta terän paikka ja säädä sitä tarvittaessa.
- Säädä ylempiä ja alempia teräohjaimia ja painelaakereita jäljempänä tässä käyttöoppaassa olevan kuvauksen mukaisesti.
- Kiinnitä takaisin siipiruuvi, aluslevyt ja D-mutteri. Kiristä tiukalle.
- Sulje teräsuojus ja etukansi. Kiristä kannen lukitusruuvi.

### TERÄOHJAINYKSIKÖN SÄÄTÖ

*Katso kuvaa 18 - 19.*

Teräohjainyksikön täytyy olla aina säädettyinä noin 3,2 mm (1/8") työkalupään yläpuolelle, jotta vältetään terän vääntyminen ja rikkoutuminen.

- Käännä lukitusnuppia vastapäivään teräohjainyksikön avaamiseksi lukituksesta.
- Käytä teräohjainyksikön korkeuden säädössä oppaana saman puun jättekappaletta, jota aiot leikata. Säädä teräohjainyksikkö teräohjaimen nuppia kääntämällä.

- Lukitse teräohjainyksikkö paikalleen lukitusnuppia myötäpäivään kääntämällä.

- Lukitse teräohjainyksikkö aina paikalleen ennen vannesahan käynnistämistä.

### TERÄOHJAIMEN TUEN JA PAINELAAKEREIDEN SÄÄTÖ

*Katso kuvaa 20 - 21.*

**HUOM:** Kiristä lukitusnuppi ja katso lisätietoa tämän käyttöoppaan KOKOONPANO-osassa selitetyistä toimenpiteistä "Teräkireyden säätö" ja "Terän paikka".

Terän ylempi ja alempi painelaakeri tukevat ja laakeri ohjaa sahanterää leikkuun aikana. Laakereiden ja ohjainten säätö on tarkastettava aina, kun asennetaan eri terä.

#### Painelaakerien säätäminen:

Painelaakerit tukevat terän takareunaa leikkuun aikana. Terän ei pitäisi koskettaa painelaakereita, kun päätät leikkaamisen. On tärkeää, että sekä ylempi että alempi painelaakeri säädetään samalla tavalla.

- Avaa etukannet ja teräsuojus.
- Avaa kuusioavaimella ylempän ja alemman painelaakerin ruuveja ja työnnä painelaakerit sahan takasaan.
- Varmista, että sahanterän paikka on oikea ja työnnä sitten painelaakeria eteenpäin, kunnes laakeri on 0,4 mm (1/64") puitteissa terästä. Kiristä painelaakerin ruuvi kunnolla.
- Työnnä alemmaa laakeria eteenpäin, kunnes sen välys on riittävä. Kiristä painelaakerin ruuvi kunnolla.

#### Teräohjaimen tuen säätö:

- Avaa teräohjaimen tuen ja teräohjaimen säätöruuveja kuusioavaimella.
- Työnnä teräohjaimen ylempää tukea akselilla, kunnes ohjaimien etureuna koskettaa sahanterää hampaan syvän osan takana. Kiristä ruuvi tiukalle.
- Työnnä oikeanpuolinen ohjain koskettamaan terää ja vapauta. Käännä pyörää hitaasti yksi täysi kierros. Kiristä teräohjaimen säätöruuvi.
- Säädä vasemmanpuoleista ohjainta niin, että terän ja ohjaimen väliin jää noin 0,4 mm (1/64") välys (noin pelikortin paksuinen) laittamalla vasemmanpuoleisen ohjaimen ja terän väliin pelikortti.
- Lisää vasempaan ohjaustappiin painetta, jotta kortti pysyy paikallaan. Kiristä säätöruuvi ja poista pelikortti.
- Käännä käsin kolme täyttä kierrosta ja varmista, ettei terä juutu.
- Sulje teräsuojus ja etukansi. Lukitse ruuvilla.

Toista tämä toimenpide alemmalle teräohjaimen tuelle.





## Suomi (Alkuperäisten ohjeiden käännös)

### HALKAISUVASTEEN SÄÄTÖ

- Löysää lukituskahvaa vastapäivään kääntämällä.
- Siirrä halkaisuvaste haluttuun asentoon.
- Lukitse halkaisuvaste paikalleen lukituskahvaa alaspäin painamalla.
- Säädä kiinnitinten kireyttä lukituskahvaa kääntämällä.

### HUOLTO

#### ▲ VAROITUS

Huollossa tulee käyttää ainoastaan identtisiä varaosia. Muunlaisten osien käyttö voi aiheuttaa vaaran tai vioittaa laitetta.

#### ▲ VAROITUS

Käytä aina suojalaseja koneen käytön aikana. Käytä lisäksi pölynaamaria, jos työ on pölyistä.

#### ▲ VAROITUS

Varmista ennen huollon aloittamista, että kone on kytketty irti verkkovirrasta ja virta on katkaistu myös kytkimestä. Tämän varoituksen laiminlyönnistä voi seurata vakava loukkaantuminen.

### YLEISHUOLTO

Älä puhdista muoviosia liuottimilla. Erilaiset kaupalliset liuottimet voivat vioittaa useimpia muovityyppejä. Poista lika, pöly, öljy, rasva tms. puhtailla rievuilla.

#### ▲ VAROITUS

Älä koskaan päästä jarrunesteitä, bensiiniä, öljytuotteita, läpäiseviä öljyjä tms. kosketuksiin muoviosien kanssa. Nämä kemialliset tuotteet sisältävät aineita, jotka voivat vaurioittaa, heikentää tai tuhota muovin mikä seurauksena voi aiheutua vakavia ruumiinvammoja.

- Pidä tuote puhtaana.
- Poista sahajauho säännöllisesti koneen sisältä.
- Älä anna hartsin kerääntyä sahapöydälle, teräohjaimiin eikä painelaakereihin. Poista se kumella ja hartsinpoistoaineella.
- Levitä ohut kerros autoissa käytettävää vahaa sahapöydän yläpinnalle, jotta puu liukuu helpommin leikkatessa.

### Voitelu

Kaikki laitteen laakerit on voideltu laitteen eliniäksi normaaliolosuhteissa riittävällä määrällä korkealaatuista voiteluainetta. Tästä syystä työkalu ei kaipaa lisävoitelua.

### RENKAAT

#### Renkaiden puhdistaminen:

- Renkasiin kertyy hartsia ja sahajauhoja ja ne täytyy poistaa hienolla teräsharjalla tai puukappaleella. **Älä koskaan käytä terävää veistä eikä mitään liuotinta.**

#### Renkaiden vaihto:

- Avaa etukansi ja irrota sahanterä. Katso osa Terän asennus ja säätö.
- Kampea kulunut rengas varoen irti pyörästä.
- Venytä uusi rengas pyörän ympärille.
- Asenna sahanterä takaisin ja sulje etukansi.

### HARJA

*Katso kuvaa 22.*

Sahakotelossa on harja pyörän vieressä. Se auttaa suojaamaan rengasta ja pyörää harjaamalla sahajauhot pois. Kun harja kuluu, sitä on säädettävä tai se täytyy vaihtaa.

- Irrota ruuvi ja aluslevy ja vedä harja sitten irti.
- Aseta uusi harja koloon.
- Asenna se aluslevyn ja ruuvin avulla.

### KULJETUS JA SÄILYTYS

*Katso kuvaa 23 - 24.*

- Jos konetta aiotaan siirtää, kytke virtajohto irti pistorasiasta, laske teräsuojus alas ja pura kone alustaltaan. Laita työntökapula yläkotelon sivulle säilytykseen. Nosta kone yläkotelosta käsin kuvan mukaisesti. Säilytä tuotetta turvallisessa paikassa, johon lapset eivät pääse.
- Puhdista tuote harjalla tai polynimurilla ennen tuotteen varastoinnista.

### YMPÄRISTÖNSUOJELU



Älä hävitä raaka-aineita jätteinä vaan vie ne kierrätykseen. Ympäristönsuojelun kannalta työkalu, lisäksi r-usteet ja pakkausmateriaali on lajiteltava.



## Suomi (Alkuperäisten ohjeiden käännös)

### SYMBOLI



Turvallisuusvaroitus



Todistus CE-sääntöjen noudattamisesta



Lue ohjeet huolella ennen laitteen käyttöä.



Käytä suojalaseja



Käytä kuulosuojaimia



VAARA! Terävä terä.



Lukko



Avaa



Maksimileikkusyvyyys



Maksimileikkuleveys



Maksimileikkukulma



Käyttönopeus



Terän koko



Työkalu on kytkettävä irti virransyötöstä ennen huoltotoimenpiteitä.



Käytöstä poistettavia sähkölaitteita ei pidä hävittää talousjätteiden mukana. Ne on mahdollisuuksien mukaan pantava kiertoon. Kierrätysohjeita antavat kunnan viranomaiset ja vähittäiskauppiat.

## Suomi (Alkuperäisten ohjeiden käännös)

### VIANMÄÄRITYS

Ongelma	Mahdollinen syy	Ratkaisu
Moottori ei käy	<ol style="list-style-type: none"> <li>PÄÄLLE/POIS-kytkimeen tai virtajohtoon liittyvä ongelma.</li> <li>Moottori viallinen.</li> <li>Terä juuttuu.</li> </ol>	<ol style="list-style-type: none"> <li>Vaihdata kuluneet osat ennen tuotteen käytön jatkamista.</li> <li>Älä yritä korjata. Anna laite pätevän henkilön korjattavaksi.</li> <li>Irrota juuttunut materiaali.</li> </ol>
Terä ei kulje ylempään pyörän keskikohdassa.	<ol style="list-style-type: none"> <li>Terä ei kulje oikealla paikalla.</li> </ol>	<ol style="list-style-type: none"> <li>Säädä paikkaa, katso SÄÄDÖT-osa, "Terän paikka".</li> <li>Jos se vioittuu, pyydä pätevää huoltomiestä vaihtamaan se välittömästi.</li> </ol>
Vannesahan nopeus hidastuu leikkuun aikana.	<ol style="list-style-type: none"> <li>Leikataan liian pientä sädettä.</li> <li>Tylsä terä.</li> </ol>	<ol style="list-style-type: none"> <li>Lopeta syöttö ja peruuta hieman leikkumateriaalia, kunnes vanneterän nopeus kasvaa.</li> <li>Vaihda terä.</li> </ol>
Terä rikki.	<ol style="list-style-type: none"> <li>Terä liian kireällä.</li> <li>Terässä on taitos, joka johtuu liian pienen säteen leikkauksesta tai materiaalin liian nopeasta kääntämisestä leikkuun aikana.</li> <li>Painelaakerit ovat naarmuuntuneita tai eivät pyöri.</li> </ol>	<ol style="list-style-type: none"> <li>Säädä kireyttä. Katso SÄÄDÖT-osa, "Teräkireyden säätö".</li> <li>Käytä oikeaa leikkaustekniikkaa. Katso Käyttö-osa.</li> <li>Vaihda painelaakerit.</li> </ol>
Laite on meluisa käynnissä.	<ol style="list-style-type: none"> <li>Terä liian kireällä.</li> <li>Teräohjaimet ja laakerit koskettavat terää.</li> </ol>	<ol style="list-style-type: none"> <li>Säädä kireyttä. Katso SÄÄDÖT-osa, "Teräkireyden säätö".</li> <li>Säädä ylempää ja alemmaa teräohjainta ja laakereita. Katso SÄÄDÖT-osio, "Painelaakereiden ja teräohjaimen tuen säätö".</li> </ol>
Terä ei leikkaa suoraan.	<ol style="list-style-type: none"> <li>Teräohjaimia ja laakereita ei ole säädetty kunnolla.</li> <li>Kulunut tai viallinen terä.</li> </ol>	<ol style="list-style-type: none"> <li>Säädä ylempää ja alemmaa teräohjainta ja laakereita. Katso SÄÄDÖT-osio, "Painelaakereiden ja teräohjaimen tuen säätö".</li> <li>Vaihda terä.</li> </ol>
Teräohjaimet eivät pysy paikallaan.	<ol style="list-style-type: none"> <li>Teräohjaimen ruuvit ovat löystyneet.</li> </ol>	<ol style="list-style-type: none"> <li>Kiristä teräohjaimen ruuvit kunnolla.</li> </ol>
Moottori käy, mutta terä ei pyöri	<ol style="list-style-type: none"> <li>Kireyttä ei ole säädetty oikein.</li> <li>Käyttöhihna rikki.</li> </ol>	<ol style="list-style-type: none"> <li>Säädä kireys teräkireyden vivusta.</li> <li>Jos se vioittuu, pyydä pätevää huoltomiestä vaihtamaan se välittömästi.</li> </ol>



**Norsk (Oversettelse av original bruksanvisning)**

**BESKRIVELSE**

- |  |                          |
|--|--------------------------|
| 1. Bladspenningsknott                          | 53. Lås                  |
| 2. Deksellåseskrue                             | 54. Skyvelager           |
| 3. Utsiktsvindu for sporing                    | 55. Skyvelagerskrue      |
| 4. Arbeidsllys                                 | 56. Bladspor støtteskrue |
| 5. Bladskjerm                                  | 57. Øvre bladsporstøtte  |
| 6. Sagblad                                     | 58. Bladspor             |
| 7. Gjæringsmåler                               | 59. Bladspor settskrue   |
| 8. Støvavsug                                   | 60. Bladsporskrue        |
| 9. Skalaindikator                              | 61. Nedre bladsporstøtte |
| 10. Vinkeljusteringsknapp                      | 62. Børste               |
| 11. Skala                                      | 63. Pakning              |
| 12. Bordlåsespåk                               | 64. Skruer               |
| 13. Låseknott                                  | 65. Dekk                 |
| 14. Bladspenning justeringsknott               |                          |
| 15. Beltespenningsspak                         |                          |
| 16. Halsplate                                  |                          |
| 17. Sporingknapp                               |                          |
| 18. Av/På-bryter                               |                          |
| 19. Sagbord                                    |                          |
| 20. Fremre lavere panel                        |                          |
| 21. Fremre øvre panel                          |                          |
| 22. Rivegerde                                  |                          |
| 23. Arbeidslsybryter                           |                          |
| 24. Skyvepinne                                 |                          |
| 25. Stjerneskrutrekker (ikke inkludert)        |                          |
| 26. Skiftenøkkel (ikke inkludert)              |                          |
| 27. Liten kombinasjonskvadrat (ikke inkludert) |                          |
| 28. Sekskantnøkkel , 3 mm                      |                          |
| 29. Sekskantnøkkel , 4 mm                      |                          |
| 30. Sekskantnøkkel , 5 mm                      |                          |
| 31. Pakning                                    |                          |
| 32. Lokkmuttere                                |                          |
| 33. Skiver                                     |                          |
| 34. Føtter                                     |                          |
| 35. Låsebolter                                 |                          |
| 36. Sekskantmuttere                            |                          |
| 37. Støtteforlengelse                          |                          |
| 38. Hull i sagbase                             |                          |
| 39. D-mutter                                   |                          |
| 40. Vingeskrue                                 |                          |
| 41. Sagbordfeste                               |                          |
| 42. Bladstyremontering                         |                          |
| 43. Justeringsbolt                             |                          |
| 44. For å minske spenning                      |                          |
| 45. For å øke spenning                         |                          |
| 46. Låseknott                                  |                          |
| 47. Gjæringsmålespor                           |                          |
| 48. Stjerneskruer                              |                          |
| 49. Øvre hjul                                  |                          |
| 50. Nedre hjulspor                             |                          |
| 51. Nedre hjul                                 |                          |
| 52. Låse opp                                   |                          |





## Norsk (Oversettelse av original bruksanvisning)

Sikkerhet, ytelse og pålitelighet hadde topp prioritet under utformingen av denne båndsagen.

### TILTENKT BRUK

Båndsagen er lagt for rett linjekutting, dekorativ kutting, og sirkelkutting av tre og treprodukter.

Produktet skal bare brukes av voksne operatører som har lest instruksjonshåndboken, og som forstår risikoene og farene.

Sagen må brukes under tørre forhold, med godt arbeidslys og tilfredsstillende ventilasjon.

Produktet er kun ment brukt av vanlige forbrukere og skal bare brukes som beskrevet ovenfor og ikke for noe annet bruk.

### GENERELLE SIKKERHETSADVARSLER

#### ADVARSEL

Når du bruker elektrisk verktøy må visse grunnleggende forholdsregler alltid tas for å redusere risikoen for brann, elektrisk støt og personskade. Les alle instruksjonene før du gjør forsøk på å bruke produktet, og ta godt vare på disse instruksjonene.

- **Hold arbeidsområdet rent.** Rotete områder og arbeidsbenker inviterer til ulykker.
- **Vurder det fysiske arbeidsmiljøet.** Ikke utsett verktøyet for regn. Ikke bruk utstyret på fuktige eller våte steder. Hold arbeidsområdet godt opplyst. Ikke bruk elektrisk verktøy på steder hvor det finnes brennbare væsker eller gass.
- **Beskytt deg mot elektriske støt.** Unngå kroppskontakt med jodede overflater (som vannrør, radiatorer, kokeapparater og kjøleaggregater).
- **Hold andre personer vekke.** Ikke la personer, og spesielt barn, ta del i arbeidet, berøre verktøyet eller en skjøteledning, og hold dem vekke fra arbeidsområdet.
- **Lagre verktøy som ikke brukes.** Når det ikke er i bruk må verktøyet oppbevares tørt og innelåst slik at det er utilgjengelig for barn.
- **Ikke press verktøyet.** Det vil gjøre jobben bedre og tryggere med den hastigheten det var konstruert for.
- **Bruk det rette verktøyet.** Ikke tving et lite verktøy til å utføre en oppgave som var tiltenkt et større og kraftigere verktøy. Ikke bruk verktøy for oppgaver det ikke var tiltenkt, bruk for eksempel ikke en sirkelsag til å kappe grener eller trestammer.
- **Kle deg riktig.** Bruk ikke løstsittende klær eller smykker, de kan hekte seg fast i bevegelige deler på verktøyet. Sklisikkert fottøy anbefales ved arbeid

utendørs. Bruk lue eller hatt til å dekke langt hår.

- **Bruk verneutstyr.** Bruk vernebriller. Bruk ansikts- eller støvmaske dersom arbeidet skaper støv.
- **Tilkobl støvavsugstutstyr.** Hvis det finnes tilkoblingsmuligheter for oppsugnings- og oppsamlingsutstyr for støv, sørg for at dette blir tilkoblet og brukt på riktig måte.
- **Ikke misbruk den elektriske ledningen.** Trekk aldri i den elektriske ledningen for å frigjøre støpslet fra stikkkontakten. Hold ledningen vekke fra varme, olje og skarpe kanter.
- **Trygt arbeid.** Der det er mulig, bruk klemmer eller tvinger til å holde fast arbeidsstykket. Det er tryggere enn å bruke hånden din.
- **Ikke len deg for langt frem.** Sørg for godt fotfeste og god balanse til enhver tid.
- **Vedlikehold verktøyet med omtanke.** Hold verktøyet skarpt og rent for å oppnå bedre og tryggere ytelser. Følg instruksjonene for smøring og skifte av tilbehør. Inspiser verktøyets strømføring regelmessig og sørg for at den skiftes ved et autorisert servicecenter dersom den er skadet. Inspiser regelmessig eventuell skjøteledning og skift dersom den har skadet. Hold håndtak tørre, rene og fri for olje og fett.
- **Frakoble verktøy.** Når verktøyet ikke er i bruk, før servicearbeider og i forbindelse med skifting av tilbehør som blader, bits og skjærestyrer må verktøyet frakobles den elektriske kontakten.
- **Fjern justeringsnøkler og fastnøkler.** Gjør det til en vane å kontrollere at justeringsnøkler er fjernet fra verktøyet før det startes.
- **Unngå utilsiktet start.** Påse at bryteren er i posisjon "off" når verktøyets støpsel settes inn i en stikkontakt.
- **Bruk kun utendørs skjøteledning.** Når verktøyet brukes, bruk bare skjøteledning som er ment for utendørs bruk og merket tilsvarende.
- **Vær våken.** Se hva du gjør, bruk fornuft og bruk ikke verktøyet når du er trett eller sliten.
- **Se etter deler som er skadet.** Før ytterligere bruk av verktøyet må det undersøkes nøye for å kunne fastslå at det vil virke tilfredsstillende og utføre sin tiltenkte funksjon. Sjekk tilpasningen av bevegelige deler, kontakt mellom bevegelige deler og om alle deler er korrekt montert og enhver annen tilstand som kan påvirke bruken av verktøyet. Et deksel eller en annen del som er skadet må repareres forskriftmessig eller skiftes av et autorisert serviceverksted dersom ikke annet er angitt i denne Brukermanualen. Sørg for at ødelagte brytere skiftes av et autorisert servicecenter. Ikke bruk produktet hvis bryteren ikke slår det på og av.
- **Advarsel.** Bruk av andre tilkoblinger eller annet tilbehør enn det som anbefales i denne brukermanualen kan





**Norsk (Oversettelse av original bruksanvisning)**

føre til personskade.

- **Sørg for at verktøyet repareres av en kvalifisert person.** Dette elektriske verktøyet innfrir relevante sikkerhetsforskrifter. Reparasjoner må bare utføres av kvalifiserte personer som bruker originale reservedeler, i motsatt fall kan brukeren bli utsatt for betydelig fare.

**SIKKERHETSADVARSEL FOR BÅNDSAG.**

- **Fest eller bolt sagen til en arbeidsbenk eller stativ på omtrentlig høfthøyde.**
- **Bruk aldri produktet på golvet.**
- **Unngå ubekvemme operasjoner og håndstillinger hvor en uventet glipp kan føre til at hånden får kontakt med bladet.** Påse at du alltid har god balanse.
- **La motoren komme opp til full hastighet før kutt for å unngå binding eller stopping.**
- **Ikke bruk verktøyet hvis bryteren ikke slår det på og av.** Sørg for at ødelagte brytere skiftes av et autorisert servicecenter.
- **Reservedeler.** Alle reparasjoner, om de elektriske eller mekaniske, bør bli gjennomført av en kvalifisert service tekniker ved et autorisert service senter.
- **Når vedlikehold utføres, må kun identiske reservedeler brukes.** Bruk av andre deler kan skape fare eller føre til skade på produktet.
- **Hold ledningen vekke fra arbeidsområdet.** Ikke håndhold stykker så små at fingrene dine havner under bladbeskyttelsen. Ikke ta under arbeidsstykket eller i bladets sagespor med hender eller fingre av noen grunn.
- **Kutt aldri mer enn ett stykke av gangen, eller stable mer enn ett arbeidsstykke på sagbordet av gangen.**
- **Før ikke materialet inn for fort.** Tving ikke arbeidsstykket mot bladet.
- **Bruk bare korrekte blader.** Bruk den riktige bladtypen og stil for materialet og kutttypen. Bladtenner bør peke ned mot bordet.
- **Støtt alltid store arbeidsstykker under kutting for å minimere risiko for bladkniping og tilbakeslag.** Sagen kan skli, bevege seg, eller glippe mens den kutter store og tunge brett.
- **Ikke fjern stykker som sitter fast før bladet har stoppet.**
- **Ikke bruk sagbånd som er skadde eller deformerte.**
- **Skift bordinnlegg når de er slitte.**
- **Tilkobl sagen til en støvoppsamler når det skal sages i tre.**
- **Ikke bruk produktet når beskyttelsen som beskytter sagbladet er åpen.**

- **Velg sagbånd og hastighet etter hvilket materiale som skal kuttes.**
- **Ikke rengjør sagen mens båndet er i bevegelse.**
- **Bruk hansker ved håndtering av sagbåndet og røffmateriale.**
- **Bruk en pinne ved rettskjæring av små arbeidsstykker ved bruk av gjerdet.**
- **Transport av produktet med båndbeskyttelsen helt nede og nær bordet.**
- **Plasser gjerdet på nedre siden av bordet ved skråkutting med bordet i vinkel.**
- **Bruk en passende holdeenhet ved kutting av runde eller uregelmessig formet tre for å unngå krongling av arbeidsstykket.**
- **Ikke bruk beskyttelsene for håndtering og transport.**
- **Juster den justerbare beskyttelsen så nært arbeidsstykket som mulig.**
- **Berør aldri bladet eller noe annen bevegelig del mens sagen er i bruk.**
- **Før endring av innstillinger og fjerning av beskyttelser, deksler eller blad, koble fra sagen fra strømkilden.**
- **Hold alltid arbeidsstykket fast inntil bordet.**
- **For å unngå utilsiktet bladkontakt, minimer bladbrudd og gi maksimal bladstøtte.** Juster alltid bladspormonteringen slik at den akkurat går forbi arbeidsstykket.
- **Hold bladene rene, skarpe og tilfredsstillende satt.** Skarpe blad reduserer faren for låsing eller tilbakeslag.
- **Skru alltid av sagen før den elektriske ledningen trekkes ut for å unngå utilsiktet start når det igjen settes strøm til sagen.**
- **Sørg for at arbeidsstedet er godt opplyst for å kunne se arbeidet og at ingen hindring vil kunne påvirke sikkerheten for det utføres noe arbeid med sagen.**
- **Bladsporene har blitt forhåndsinnstilte i fabrikk.** Disse innstillingene er funksjonelle for noen bruksområder. Vi anbefaler at du sjekker og justerer bladets sporinnstillinger før du først bruker sagen. Referer til "justering av trykklager og bladsporstøtte"-prosedyrer forklart i seksjonen JUSTERINGER av brukermanualen.
- **Bruk ikke dette verktøyet for å kutte metall.**
- **Dette verktøyet skal ha følgende merker:**
  - Bruk øyebeskyttelse
  - Hold hendene vekke fra bladet.
  - Fjern ikke stykker som sitter fast før bladet har stoppet.
  - Vær sikker på at bladet er installert med tenner





## Norsk (Oversettelse av original bruksanvisning)

som peker ned.

- Oppretthold riktig justering av bladspenning, bladspor og trykklager.
- Juster alltid bladspormonteringen slik at den akkurat går forbi arbeidsstykket.
- Hold alltid arbeidsstykket fast inntil bordet.
- **Hvis strømledningen skades må den kun erstattes av produsenten eller et autorisert servicesenter for å unngå risiko.**
- **Ta vare på disse instruksjonene.** Les dem regelmessig og bruk for å instruere andre brukere. Hvis du låner noen dette verktøyet, la dem også få låne brukermanualen.

### ELEKTRISK

#### SKJØTELEDNING

Bruk bare 3-ledet skjøteledning med jordet støpsel som stemmer med verktøyet kontakt. Dersom malestasjonen brukes så langt fra en strømkilde at en skjøteledning er nødvendig, bruk en ledning som er kraftig nok til å bære den strømmen maskinen trekker ved full utnyttelse. En skjøteledning som ikke er kraftig nok vil føre til spenningsfall med påfølgende tap av motoreffekt og fare for at motoren overopphetes.

Før bruk av en skjøteledning, inspiser den for løs og utsatte ledninger eller skadd og slitt isolasjon.

#### **⚠ ADVARSEL**

Hold skjøteledningen vekke fra arbeidsområdet. Plasser ledningen slik at den ikke fanges opp av trematerialer, verktøy eller andre hindringer mens du arbeider med verktøyet. Hvis dette ikke overholdes, kan forårsake alvorlige personskade.

#### **⚠ ADVARSEL**

Kontroller skjøteledningen før hver gangs bruk. Hvis skadet må den øyeblikkelig skiftes ut. Bruk aldri verktøyet med en skadet elektrisk ledning idet berøring av det skadede området kan føre til elektrisk støt og alvorlig personskade.

#### ELEKTRISK FORB INDELSE

Dette produktet drives av en presisjonsbygget elektrisk motor. Den skal kobles til et strømuttak som har 220~240V (normal husholdningsstrøm), 50 Hz. Ikke bruk verktøyet med likestrøm (DC). Et betydelig spenningsstap vil føre til tap av effekt og at motoren overopphetes. Hvis produktet ikke virker når det kobles til strømmettet, dobbeltsjekk det elektriske anlegget.

#### HASTIGHET OG KABLING

Hastigheten til dette produktet er omtrent 11 m/s. Denne hastigheten er ikke konstant og vil synke ved belastning eller ved lavere spenning. For spenning er kabling på et verksted like viktig som motorens inngangsstrømverdi. En strømkrets som kun er ment for lamper kan ikke bære et elektrisk verktøy på en tilfredsstillende måte. Ledning som har styrke nok for en kort avstand vil kunne være for svak for en lengre avstand. En krets som kan levere strøm til ett elektrisk verktøy vil ikke nødvendigvis kunne levere strøm til to eller tre verktøyer.

#### INSTRUKSJONER FOR JORDING

Dette produktet må være jordet. Ved feilfunksjon eller sammenbrudd skaper jordingen en vei for strømmen som reduserer faren for elektrisk støt. Dette produktet er utstyrt med en elektrisk ledning som har jordingsforbindelse og jordingsplugg. Støpslet må være forbundet til en kontakt som er korrekt installert og jordet i henhold til alle lokale regler og forskrifter.

Ikke foreta endringer på det medfølgende støpslet. Hvis støpslet ikke lar seg koble til kontakten, sørg for at et passende støpsel blir montert av en kvalifisert elektriker. Reparer eller skift en skadet elektrisk ledning umiddelbart.

#### GENVÆRENDE RISIKO

Også når produktet brukes som beskrevet, er det ikke mulig å utelukke risiko for brukere eller personer i nærheten. Følgende farer kan oppstå ved bruk og operatøren bør være spesielt oppmerksom på å unngå/sikre følgende:

- Emne eller deler av det kan sprette unna på grunn av feil justering eller feil håndtering.
- Skade på åndedrettsystemet.  
**NB:** Bruk åndedrettsbeskyttelse med filter som er tilpasset materialene som skal kappes. Sørg for tilfredsstillende ventilasjon av arbeidsområdet. Ikke spis, drikk eller røyk i arbeidsområdet.
- Skader på hørselen dersom ikke effektivt hørselsvern brukes.

#### KJENN DITT PRODUKT.

Se fig. 1.

Trygg bruk av dette produktet krever forståelse av informasjonen om produktet og dets brukermanual og kunnskap om den jobben som skal utføres. Før du bruker verktøyet, må du bli kjent med alle dens funksjoner og sikkerhetskrav.

#### VINKELJUSTERINGSKNAPP

Vipper sagbordet for skråkutting.





## Norsk (Oversettelse av original bruksanvisning)

### BLADSKJERM

Beskytt operatører fra å komme borti bladet.

### BLADSPENNING JUSTERINGSKNOTT

Bruk bladsporjusteringsknottene for å justere bladetspormontering opp eller ned, og å stoppe bladet fra å vri eller brette. Lås alltid bladspormontering for båndsgen skrus på.

### BLADSPOR

Øvre og nedre bladspor stopper bladet fra å vri under bruk.

### STØVAVSUG

En 53 mm (2-1/8") støvavsug gjør støvfri kutting mulig. Fest en støvbag (ikke inkludert) eller en shop vac til støvavsug.

### DEKSELLÅSESKRUE

Tillater frontdeksel og åpnes for justeringer.

### GJÆRINGSMÅLER

Denne måleren justerer treet for et kapp. Den enkle indikatoren viser den nøyaktige vinkelen for et gjæringskutt ved 15°, 30°, 45° og 60°.

### RAPIDSET™ BLADSPENNINGSPAK

Kontrollerer bladspenning ved skifte av blad og justering for forskjellig sagbruk.

### SAGBLAD

Sagen kommer med et standard 6,35 mm (1/4") blad.

### SAGBORDET MED ET HALSBLAD

Din båndsgen har et sagbord med tiltkontroll. Halsplaten, installert i sagbladet på fabrikken, gir bladklaring.

### SKALA OG SKALAINDIKATOR

Skala og skalaindikatoren viser vinkelen eller graden sagbordet er vinklet for skråkutting.

### BORDLÅSESPÅK

Løsning av bordlåsespaken lar bordet helles i andre retninger. Stram bordlåsespaken for å låse bordet på plass.

### SPORINGSKNAPP

Justerer sporene for å holde bladet sentrert på hjulene.

### UTSIKTSVINDU FOR SPORING

Sporvinduet gjør det lettere å se justeringene.

### SKYVEPINNE

Bruk alltid en dyttepinne for å fore arbeidsstykket til den er forbi bordet.

### DELELISTE

Beskrivelse	Ant.
Skiver	7
Bordlåsespåk	1
Sekskantnøkkel , 3 mm	1
Sekskantnøkkel , 4 mm	1
Sekskantnøkkel , 5 mm	1
Gjæringsmåler	1
Nøttemutter	4
Føtter	4
Sagbord	1
Låsebolter	2
Sekskantmuttere	2
Forlengelses-støtte	1
Rivegjerde	1
Skyvepinne	1
Brukermanual	1

### MONTERING

#### OPPAKKING

Dette produktet krever montering.

- Løft forsiktig produktet fra kartongen og plasser på et jevnt underlag.

#### ⚠ ADVARSEL

Ikke bruk dette produktet dersom noen av delene på løse deler-listen er allerede montert på produktet ditt når du pakker det ut. Delene på pakklisen er ikke montert av produsenten og krever kundeinstallasjon. Bruk av et produkt som har blitt feilmontert kan føre til alvorlig personskade.

- Sjekkverktøyet grundig for å sjekke at det ikke er brekkasje eller skade som kan ha skjedd i løpet av shipping. **NB:** Denne sagen har blitt sendt uten beltespenning. Skru ikke sagen på før beltespenningen har blitt riktig innstilt.



**Norsk (Oversettelse av original bruksanvisning)**

- Kast ikke pakkematerialet før du forsiktig inspirert og brukt verktøyet skikkelig.
- Hvis noen av delene er skadd eller mangler, vennligst ring service senteret for assistanse.

**▲ ADVARSEL**

Hvis noen av delene er skadd eller mangler, bruk ikke produktet før delene er erstattes. Bruk av dette produktet med skadde eller manglende deler kan føre til alvorlig personskade.

**▲ ADVARSEL**

Ikke gjør forsøk på å endre dette verktøyet eller lage tilbehør som ikke er anbefalt brukt sammen med verktøyet. Enhver slik endring eller modifikasjon regnes som misbruk og kan føre til farlige situasjoner som kan ha alvorlige personskader til følge.

**▲ ADVARSEL**

Koble ikke til strømtilførselen før monteringen er fullført. Manglende overholdelse kan resultere i utilsiktet start og kan føre til alvorlig personskade.

**MONTER PRODUKTET PÅ EN ARBEIDSBENK.**

Hvis produktet skal brukes på et permanent sted, må den monteres til en fast støtteoverflate som for eksempel en arbeidsbenk. Fire bolthull har blitt utstyrt på sagens base for dette. Bolter (ikke inkludert) bør være lange nok til å imøtekomme sagbasen, låseskivene (ikke inkludert), sekskantmutter (ikke inkludert) og tykkelsen på arbeidsbenken. Stram og sikre alle boltene.

Sjekk forsiktig arbeidsbenken etter montering for å sikre at ingen bevegelse vil skje under bruk. Hvis tipping, skliing, eller bevegelse blir notert, sikre arbeidsbenken til golvet før bruk.

- Plasser produktet på arbeidsbenken. Bruk sagbasen som et mønster, finn og marker hullene hvor produktet skal monteres.
- Drill hull i arbeidsbenken.
- Plasser båndsgagen på arbeidsbenken og juster hullene i sagbasen med hullen drillt.
- Sett inn bolter (ikke inkludert) og stram med låseskiver og sekskantmuttere (ikke inkludert). **NB:** Alle bolter skal settes inn fra toppen. Installer låseskivene og sekskantmutterne fra undersiden av arbeidsbenken.

**MONTER PRODUKTET PÅ EN ARBEIDSBENK.**

Se fig. 4.

Dersom produktet skal brukes som et bærbart verktøy,

fest det permanent til et monteringsbord som kan lett festes til en arbeidsbenk eller en annen stabil overflate. Monteringsbordet bør være stort nok til å unngå å velte mens produktet er i bruk. Kryssfiner eller sponblater av god kvalitet og en tykkelse på 19 mm (3/4") er anbefalt.

Dersom bolter blir brukt, pass på at de er lange nok til å nå gjennom hullene i drillpressbasen og materialet drillpressen blir montert på. Dersom maskinbolter blir brukt, pass på at de er lange nok til å nå gjennom hullene i drillpressbasen og materialet de blir montert på, og låseskiver og sekskantmuttere.

**NB: DET KAN VÆRE NØDVENDIG Å SENKE SEKSKANTMUTTERE OG SKIVER PÅ BUNNEN AV MONTERINGSBRETTE.**

- Fest saken til brettet med hullene i sagbasen som en mal for hullmønstret. Finn og marker hullene hvor båndsgagen skal monteres.
- Følg de siste tre stegene i seksjonen "montering av produktet til arbeidsbenken", som vist over.

**MONTER SAGBORDET**

Se fig. 5, 7.

- Fjern d-muttere, skiver og vingesruen på sagbordet.
- Stå foran båndsgage, gli sagbordet forbi bladet og gjennom sporet som beveger seg fra høyre siden av sagbordet til venstre.
- Hold sagbordet med din venstre hånd mens du drar vinkeljusteringsknotten bort fra sagrammen, juster med tennene på sagbordbraketten med tennene på vinkeljusteringsknotten. Slipp knotten.
- Tilpass pinnene på rammen inn i sporene i sagbordbraketten.
- Sett inn skiven på den gjengede enden av bordlåsypaken. Stram sagbordet til sagrammen ved å snu bordlåsypaken med klokken.
- Fest D-muttere, skiver og vingesruen på sagbordet.

**NB:** Vingeskruen passer under sagbordet.

**INSTALLER FORLENGESESSTØTTE**

Se fig. 6.

- Sett inn tubene til forlengelsesstøtten inn i hullene i sagbasen bakfra.
- Juster hullene på tubene og de på sagbasen.
- Sett inn låsebolter og stram med skiver og sekskantmuttere.

**JUSTER SAGBORDET TIL BLADET**

Se fig. 8 - 9.

- Skru låseknotten mot klokken for å låse bladsporstativet. Skru bladsporjusteringsknotten mot klokken, løft bladsporstativet så høyt som det kan gå.





## Norsk (Oversettelse av original bruksanvisning)

Skru låseknotten med klokken for å stramme.

- Plasser en kombinasjonsvinkel på sagbord ved siden av bladet.
- Løsne bordlåsespaken og roter vinkeljusteringsknotten for å tilte sagbordet opp eller ned for å justere bordet 90° til blad (0°-posisjon). Stram bordlås-spaken.
- Skru på den justerende bloten til bolten akkurat rører sagholderen.
- Sjekk kvadreringen av sagbordet til bladet. Juster som nødvendig.
- Sett skalaindikatoren til null og stram skruen med en stjerneskrutrekker.

**NB: Gjør alltid et test kutt for å sikre kvadreringen av bladet før du begynner på nye prosjekt.** Om den ikke er kvadratisk, kan det bli nødvendig å løsne skruene under sagbordet for å justere (gjæringsspør må være parallelt til sagbladet). Når den er kvadratisk, stram skruene.

### JUSTER BLADSPENNING

Se fig. 10-11.

- Skru av produktet.
- Før bruk av båndsgen, skru bladspenningsknotten på toppen av sagen med klokken for å få spenning.
- NB: justeringer av bladspenning kan gjøres når som helt.
- Napp sagbladryggens rette kant som en gitarstreng mens du skrur spenningsknotten.

Lyden vil bli høyere ettersom spenningen økes. Øk aldri bladspenningen så stramt at du komprimerer springfjæren. Når den er helt komprimert vil ikke springfjæren lengre fungere som en sjokkabsorbent.

For mye spenning gjør at bladet kan brette. Tykkere arbeidsstykker krever høyere spenning; maksimal spenning er ikke nødvendig for alle kutt. For lite spenning kan gjøre at bladet sklir på hjulene.

### SPORING AV BLADET

Se fig. 11.

Juster bladspenningen ordentlig før sporjusteringer. Sjekk at bladsporene ikke legger seg borti bladet. Bladrennen (den dypeste delen av bladtannen) skal være i midten av hjulet.

### For å justere:

Koble fra strøm. Åpne frontdekselet ved å skru ut deksellåseskruen. Sjekk at bladets posisjon på det øvre hjulet når du forsiktig snur det øvre hjulet med klokken. Dersom bladet beveger seg bort fra midten av dekket, må sporingen justeres.

### Dersom bladet har beveget til høyre eller til venstre:

- Skru bladets sporingknott (med klokken om bladet har beveget seg til venstre; mot klokken dersom bladet har beveget seg til høyre) mens du skrur hjulet for hånd til bladet beveges tilbake og ligger i midten av dekket.
- Sjekk posisjonen av bladet på det nedre dekket. Bladet bør være helt på dekket (tannmellomrommet til bladtennene i midten). Hvis ikke, juster sporingen til bladet er på begge dekk.
- Roter det øvre hjulet for hånd med klokken et par ganger. Pass på at bladet forblir på samme plass på dekkene. Juster på ny, om nødvendig, til bladet sporer skikkelig.
- Lukk frontdeksel og stram dekselets låseskrue.
- Skru på produktet.
- Sikre at bladet er sentrert på dekket (gjennom sporingvinduet). Hvis den ikke er sentrert, gjenta stegene over.

### ▲ ADVARSEL

Bladsporene har blitt forhåndsinnstilte i fabrikk. Disse innstillingene er funksjonelle for noen bruksområder. Vi anbefaler at du sjekker og justerer bladets sporingstillinger før du først bruker sagen. Referer til "justering av bladsporstøtte og trykklager"-prosedyrer forklart i seksjonen JUSTERINGER av brukermanualen.

### JUSTERING AV RIVEGJERDET

- Plasser rivegjerdet på venstre side av sagbordet, med låsehåndtaket foran.
- Trykk ned på låsehåndtaket for å låse posisjonen til rivegjerdet.
- Vri på låsehåndtaket for å justere stramhet av festene.

### BRUK

### ▲ ADVARSEL

Vær alltid like forsiktig, selv når du er blitt kjent med verktøyet. Husk at uforsiktighet i en brøkdell av et sekund er nok til at du kan påføre deg selv alvorlige skader.

### ▲ ADVARSEL

Bruk alltid øyebeskyttelse. Hvis dette ikke følges kan det føre til at fremmedlegemer kastes inn i øynene dine med påfølgende alvorlige øyenskader.





## Norsk (Oversettelse av original bruksanvisning)

### ⚠ ADVARSEL

Ikke bruk tilkoblet utstyr eller tilbehør som ikke er anbefalt av produsenten av dette verktøyet. Bruken av deler eller tilbehør som ikke anbefales kan føre til alvorlig personskade.

### ⚠ ADVARSEL

Juster alltid bladspormonteringen slik at den akkurat går forbi arbeidsstykket. Hvis dette ikke overholdes, kan forårsake alvorlige personskader.

### ⚠ ADVARSEL

Bruk aldri produktet uten bladbeskyttelsen sikret og frontdeksler låst. Å gjøre dette kan føre til alvorlige personskader.

### ENKEL BRUK AV BÅNDSAGEN

Båndsagen er en "kurvekutter"-maksin som også kan brukes for rette kutteoperasjoner som krysskutting, gjæring, skråkutting, sammensatt vinkelkutting, og omkutting. Når båndsagen brukes for rett kutting, kan brukeren installere et gjerde ved bruk av et stort nok trestykke festet til bordet med C-klemmer. Den kan ikke gjøre innvendige eller ikke fullstendige kutt.

Før du starter et kutt, se produktet kjøre. Hvis du opplever ekstrem vibrering eller unormal lyd, stopp øyeblikkelig. Skru av produktet og dra ut kontakten. Start ikke opp før problemet er funnet og fikset.

### SAGEPROSEDYRER

- Hold alltid arbeidsstykket fast inntil bordet.
- Bruk lett trykk og begge hender når du mater bladet. Tving ikke arbeidet, la bladet kutte.
- Den minste sirkelen som kan kuttet er bestemt av bladbredden. Et 6,35 mm (1/4") bredt blad vil kutte en minimum diameter av 38 mm (1-1/2").
- Hold hendene vekke fra bladet. Ikke håndhold stykker så små at fingrene dine havner under bladbeskyttelsen.
- Unngå kinkig bruk og håndposisjoner hvor uhell kan føre til alvorlig personskade fra kontakt med bladet. Plasser aldri begge hendene i bladsporet.
- Bruk ekstra støtter (bord, sagkrakk, blokker, osv) vet kutting av store, små, eller kinkige arbeidsstykker.
- Bruk aldri en person som et alternativ for bordforlengelse eller ekstra støtte for et arbeidsstykke som er lengre eller brede en det grunnleggende sagbordet.
- Ved kutting av irregulære arbeidsstykker, planlegg arbeidet slik at det ikke vil klemme bladet. For

eksempel, en form må ligge flatt på sagbordet. Arbeidsstykker må ikke vris, beveges eller glippe når de blir kuttet.

Ved bakking av arbeidsstykket, kan bladet festes i snittet. Dette skjer vanligvis med sagspon som tetter snittet eller når bladet kommer ut av sporet Dersom dette skjer:

- Skru av produktet. Vent til sagen har stoppet helt. Koble fra produktet fra strømkilden.
- Kil sinntet åpent med en flat skrutrekker eller trekil.
- Åpne frontdekslet og snu det øvre hjulet for hånd mens du bakker opp arbeidsstykket.

### LINDREKUTT

Lindrekkutt er lagt når en intrikat kurve (for lite radius på bladet) skall kuttes Kutt gjennom en skrapdel av arbeidsstykket for å kurve i en mønsterlinje og trekk forsiktig bladet ut. Flere lindrekutt bør lages for intrikate kurver før følgning av mønsterlinjen er kuttet av kurven, og "lindrer" bladspenning.

### LØVSAGING

For generell dekorativ kutting, følg mønsteret ved å dytte og snu arbeidsstykket samtidig Prøv ikke å snu arbeidsstykket mens det er i kontakt med bladet uten å dytte det, dette fordi arbeidsstykket kan festes eller vri bladet.

### FJERNING AV FASTKJØRT MATERIALE

Fjern aldri fastkjørte stykker før bladet er helt stoppet.

- Skru av produktet. Vent til sagen har stoppet helt.
- Trekk ut stikkkontakten før du fjerner fastkjørt materiale.

### UNNGÅ SKADE

- Pass på at sagen er vannrett og ikke vakler. Sag burde alltid være på en fast, vannrett overflate med masse plass for håndtering og ordentlig støtte av arbeidsstykket.
- Bolt sagen til støtteoverflaten for å unngå glipping, bevegelse, og skyving i løpet av kutting av for eksempel lange, tunge bord.
- Skru av sagen og koble den fra strømkilden før den flyttes.
- Fjern aldri fastkjørte stykker før bladet er helt stoppet.
- Bruk den riktige bladtypen og stil for materialet og kuttypen.
- Pass på at bladtenne peker ned mot sagbordet, at bladspor, kulelager og bladspenning er riktig justert, at bladets sporknott er stram, og at ingen deler beveges unødig.
- For å unngå utilsiktet bladkontakt, minimer bladbrudd og gi maksimal bladstøtte, juster alltid bladsporstativet for å klarere arbeidsstykket.



## Norsk (Oversettelse av original bruksanvisning)

- Bruk bare anbefalt tilbehør.
- Med unntak av arbeidsstykket og relaterte støtteenheter, fjern alt av sagbordet før sagen skrur på.
- Støtt runde materialer som pluggstenger eller tube fordi de har en tendens til å rulle i løpet av kutting som kan forårsake bladet til å "bite". For å unngå dette, velg alltid en "V"-blokk eller fest arbeidsstykket til en gjæringsmåler.
- Før fjerning av løse stykker fra sagbordet, skru av sagen og vent på at alle bevegelige deler slutter å bevege seg.

### SKRU PRODUKTET AV/PÅ

Se fig. 12.

- Press "I" for å skru på produktet.
- Press "O" for å skru av produktet.

### FØR DU FORLATER PRODUKTET

Se fig. 12.

- Skru av produktet. Vent til sagen har stoppet helt.
- Koble fra produktet fra strømkilden.
- Gjør verkstedet bamesikkert.
- Slipp spenningen fra sagbladet med Rapidset™ bladspenningspake for å forlenge levetiden til bladet.
- Lås verkstedet.

### SKRU ARBEIDSLYSET PÅ/AV

Se fig. 13.

- Press "⚡" for å skru arbeidslyset på.
- Press "O" for å skru arbeidslyset av.

### TILT BORDET

Se fig. 14.

- Løsne bordets låseknot.
- Skru vinklejusteringsknoten og tilt sagbordet til det når den ønskede vinkelen.
- Bruk skalaindikatoren, sjekk vinkelmarkeringer.
- Stram bordets låseknot for å holde sagen sikkert på plass.

### BRUK AV GJÆREMÅLEREN

Se fig. 15 - 16.

Gjæremåleren kan bli stilt inn maksimum 60° til høyre eller venstre.

- Løsne låseknoten på gjæringsmåleren.
- Med gjæringsmåleren på sin plass, roter måleren til den ønskete vinkelen er nådd på indeksskalaen.
- Stram låseknoten.

### JUSTERING AV RIVEGJERDET

Rivegjerdet er brukt for all rivebruk. Riv aldri frihånd uten gjerdet sikret på plass.

- Posisjoner gjerdet til den ønskede rivebredden og lås den på plass.
- Før riving, pass på at rivegjerdet er parallelt til sagbladet. Ved riving av lang bord eller store paneler, bruk alltid arbeidsstøtte.
- Hold stykket mot gjerdet og mat det gjennom sagbladet med smidig, stødig trykk.

### INNSTILLINGER

#### ⚠ ADVARSEL

Før du justerer noe, pass på at verktøyet er koblet fra strømkilden og at bryteren er AV. Hvis denne advarselen ikke følges, kan det føre til alvorlig personskade.

#### ⚠ ADVARSEL

For å unngå personskade, oppretthold riktig justering av bladspenning, bladspor og trykkklager.

### INSTALLERING OG JUSTERING AV BLAD

Se fig. 17.

- Løsne og fjern vingeskruen, skiver, D-muttere fra sagbordet.
- Åpne front dekelet ved å skru ut deksellåseskruen.
- Skru låseknoten mot klokken for å låse bladsporstativet. Skru bladsporknoten (med klokken løfter bladsporstativet; mot klokken senker det), posisjoner bladsporstativet omtrent halveis mellom sagbordet og sagrammen. Stram låseknoten.
- Åpne bladbeskytteren ved å trekke venstre siden av beskyttelsen ut og bort fra hjulet.
- Frigjør all bladspenning fra bladet.
- Fjern forsiktig det gamle bladet.
- Med hansker på, vikle ut det nye bladet med en armlengde. Hvis det nye bladet var oljet for å forhindre rust, må den kanskje tørkes for å få oljen bort fra arbeidsstykket ditt. Tørk forsiktig i samme retning som tennene peker slik at kluten ikke hektes på tennene til sagbladet.

**NB:** Bladet må muligens snus dersom tennene peker i feil retning. Hold bladet med begge hender og roter det innover.

- Med bladtennene mot venstre av sagen og pekende nedover, plasser bladet gjennom de nedre bladsporene og rundt begge hjulene.



**Norsk (Oversettelse av original bruksanvisning)**

- Snu sakte det øvre hjulet til høyre eller med klokken for hånd til midten på gummidekkene.
- Sett RapidSet™ bladspenningspaken i gang igjen, og juster så bladspenningen; sjekk eller juster bladsporingen.
- Juster både de øvre og nedre bladsporene og kulelagerene som forklart senere i brukermanualen.
- Fest vingeskruen, skivene og D-mutteren på ny. Stram.
- Lukk bladbeskyttelsen og frontdekselet. Stram deksellåseskruen.

**JUSTER BLADSPORSTATIVET**

Se fig. 18 - 19.

For 3,2 mm (1/8") over arbeidsstykket.

- Skru låseknotten mot klokken for å låse bladsporstativet.
- Som en guide, bruk ekstra tre av det du skal kutte for å sette høyden til bladsporstativet. Juster bladsporstativet ved å skru på bladsporknotten.
- Lås bladsporstativet på plass ved å skru knotten med klokken.
- Lås alltid bladspormonteringen før båndsgen skrues på.

**JUSTER BLADSPORSTATIVET OG KULELAGER**

Se fig. 20 - 21.

**NB:** Stram låseknotten og referer til "juster bladspenning" og "sporing av blad" prosedyrene forklart i monteringsseksjonen av brukermanualen før du gjør justeringer.

Øvre og nedre bladkulelagerstøtter fører sagbladet i løpet av kutting. Justering av lager og spor bør sjekkes hver gang et nytt blad er installert.

**For å justere kulelager:**

Kulelageret støtter bakenden av bladet i løpet av kutting. Bladet skal ikke være i kontakt med kulelageret når du slutter å kutte. Det er viktig at både øvre og nedre kulelager er justert likt.

- Åpne både frontdekselet og bladbeskyttelsen.
- Bruk en umbrakonøkkel, løsne det øvre og nedre kulelageret og dytt kulelagerene helt bak i sagen.
- Sikre at sagbladet sporer riktig, og skli kulelagerene frem til lagrene er innen 0,4 mm (1/64") av bladet. Stram kulelagerskruen.
- Skli den nedre lageret frem til den har riktig klaring. Stram kulelagerskruen.

**Juster bladsporstøtte:**

- Løsne bladsporstøtten og bladsporstøttskruen med en umbrakonøkkel.
- Skli den øvre bladsporstøtten på akselen frem til kanten av sporet er i kontakt med sagbladet bak tannmellomrommet. Stram skruen.
- Dytt høyre sporet for å få kontakt med bladet og slipp Roter hjulet sakte en hel rotasjon. Stram bladsporstøttskruene.
- Juster venstre siden for å tillate 0,4 mm (1/64") klaring mellom bladet og sporet (ca tykkelsen av et spillekort) ved å putte et spillekort mellom venstre spor og blad.
- Press på venstre sporpinne for å holde kortet på plass. Stram støttskruen og fjern spillekortet.
- Roter for hånd, tre fulle rotasjoner for å sikre at bladet ikke vil festes.
- Lukk bladbeskyttelsen og frontdekselet. Lås med skrue.

Gjenta denne prosedyren for den nedre bladsporstøtten.

**JUSTERING AV RIVEGJERDET**

- Løsne låsehåndtaket ved å snu det mot klokken.
- Flytt rivegjerdet til den ønskede posisjonen.
- Trykk ned på låsehåndtaket for å låse posisjonen til rivegjerdet.
- Vri på låsehåndtaket for å justere stramhet av festene.

**VEDLIKEHOLD**

**⚠ ADVARSEL**

Når vedlikehold utføres, må kun identiske reservedeler brukes. Bruk av andre deler kan skape fare eller føre til skade på produktet.

**⚠ ADVARSEL**

Bruk alltid øyebeskyttelse ved bruk av produktet. Hvis arbeidet utløser støv, bruk også en støvmaske.

**⚠ ADVARSEL**

Før utførelse av vedlikehold, pass på at verktøyet er koblet fra strømkilden og at bryteren er AV. Hvis denne advarselen ikke følges, kan det føre til alvorlig personskade.

**GENERELT VEDLIKEHOLD**

Unngå bruk av løsemidler når du rengjør plastdelene. De fleste plasttyper er sårbare for forskjellige typer løsemidler



## Norsk (Oversettelse av original bruksanvisning)

i handelen og kan skades dersom de brukes. Bruk rene kluter til å fjerne skitt, støv, olje og fett osv.

### ⚠ ADVARSEL

Du må aldri la bremsevæske, drivstoff, petroleumsbaserte produkter, rustopløsende olje osv. komme i kontakt med plastikkdeler. Slike kjemiske produkter inneholder stoffer som kan skade, svekke eller ødelegge platen, noe som kan medføre alvorlige kroppsskader.

- Hold produktet rent.
- Fjern sagspon fra insiden ofte.
- La ikke bek samle på sagbordet, bladspen eller kulelagre. Fjern med tyggegummi og bekfjerner.
- Påfør et tynt lag av bilvoks på sagbordets overflate slik at treet sklir lett over i løpet av kutting.

### Smøring

Alle lagere i verktøyet er smurt med en passende mengde høykvalitets smøring for maskinens levetid under normale driftsforhold. Det er derfor unødvendig med tilleggsmøring.

### DEKK

#### Rengjøring av dekk:

- Bek og sagspon samles på dekk og må fjernes med en fin stålbørste eller et stykke tre. **Bruk ikke en skarp kniv eller løsemidler.**

#### Erstatt dekkene:

- Åpne frontdekselet og fjern sagbladet. Se seksjonen om installasjon og justering av bladet.
- Lirk det slitte dekket bort fra hjulet.
- Strekk det nye dekket rundt hjulet.
- Erstatt sagbladet og lukk frontdekselet.

### BØRSTE

Se fig. 22.

Det er en børste inne i sagholderen ved siden av hjulet. Den beskytter dekket og hjulet ved å børste bort sagspon. Når børsten blir slitt må den justeres eller erstattes.

- Fjern skruen og skiven og dra børsten av.
- Plasser den nye børsten i sporet.
- Installer med å bruke skiven og skruen.

### VEDLIKEHOLD OG OPPBEVARING

Se fig. 23 - 24.

- Ved transport, koble fra strømfedningen, senk

sagbladet, og demonter produktet. Lagre dyttepinnen på siden av den øvre innrammingen. Løft produktet etter den øvre innrammingen som vist. Oppbevar maskinen på et trygt sted der barn ikke har tilgang.

- Rengjør produktet med en børste eller støvsuger før det settes bort for lagring.

### MILJØVERN



Resirkuler råmaterialer istedenfor å kaste dem i søppelen. Verktøyet, tilbehørene og emballasjen bør sorteres for miljøvennlig resirkulering.

### SYMBOL



Sikkerhetsadvarsel



CE samsvarserklæring



Les instruksjonene nøye før apparatet tas i bruk.



Bruk øyebeskyttelse



Bruk hørselsvern



FARE! Skarpt blad.



Lås



Låse opp



Maksimal kuttedydbde



Maksimal kuttebredde

**Norsk (Oversettelse av original bruksanvisning)**



Maksimal kuttevinkel



Driftshastighet



Bladstørrelse



Verktøyet skal kobles fra forsyningen før vedlikehold.



Avfall fra elektriske produkter skal ikke kastes sammen med husholdningsavfall. Vennligst resikulere vedkisterende avfallsbehandlingssted. Undersøk hos dine lokale myndigheter eller forhandler for råd om resikulering.





## Norsk (Oversettelse av original bruksanvisning)

### FEILSØKING

Problem	Mulig årsak	Løsning
Motoren går ikke	<ol style="list-style-type: none"> <li>1. Problem med PÅ/AV-bryteren eller strømledningen.</li> <li>2. Feil i motor.</li> <li>3. Bladet er bundet</li> </ol>	<ol style="list-style-type: none"> <li>1. Erstatt slitte deler før bruk av produktet.</li> <li>2. Forsøk ikke å reparere. Sørg for at verktøyet repareres av en kvalifisert person.</li> <li>3. Fjern fastkjørt materiale.</li> </ol>
Bladet kjører ikke i den omtrentlige midten på det øvre hjulet.	<ol style="list-style-type: none"> <li>1. Sporer ikke riktig.</li> </ol>	<ol style="list-style-type: none"> <li>1. Juster sporing, se justeringsseksjonen, "Spor bladet".</li> <li>2. Hvis det finnes noe skade, skift ut omgående via en fagperson.</li> </ol>
Båndsagen sakter ned når den kutter.	<ol style="list-style-type: none"> <li>1. Kutter en for liten radius.</li> <li>2. Sløvt blad.</li> </ol>	<ol style="list-style-type: none"> <li>1. Ikke for maskinen og dra kuttematerialet tilbake litt til båndsagen får opp hastigheten.</li> <li>2. Erstatt bladet.</li> </ol>
Bladbrekkasje.	<ol style="list-style-type: none"> <li>1. For mye bladspenning.</li> <li>2. Knekk i bladet på grunn av for liten kutteradius, eller materiale som blir snudd for fort i løpet av kutting.</li> <li>3. Kulelager skadd eller roterer.</li> </ol>	<ol style="list-style-type: none"> <li>1. Juster spenning. Se justeringsseksjonen, "juster bladspenning".</li> <li>2. Bruk riktig kutteteknikk. Se seksjonen "Bruk".</li> <li>3. Bytt kulelagre.</li> </ol>
produktet lager lyd når den er i bruk.	<ol style="list-style-type: none"> <li>1. For mye bladspenning.</li> <li>2. Bladsporene og lagrene er i kontakt med bladet.</li> </ol>	<ol style="list-style-type: none"> <li>1. Juster spenning. Se justeringsseksjonen, "juster bladspenning".</li> <li>2. Juster øvre og lavere bladspor og lager. Se justeringsseksjonene, "Juster kulelagre og bladsporstøtte".</li> </ol>
Bladet kutter ikke rett.	<ol style="list-style-type: none"> <li>1. Bladspor og lager er ikke riktig justert.</li> <li>2. Slitt eller ødelagt blad.</li> </ol>	<ol style="list-style-type: none"> <li>1. Juster øvre og lavere bladspor og lager. Se justeringsseksjonene, "Juster kulelagre og bladsporstøtte".</li> <li>2. Erstatt bladet.</li> </ol>
Bladspor holdes ikke i posisjon.	<ol style="list-style-type: none"> <li>1. Bladsporskruer har løsnet.</li> </ol>	<ol style="list-style-type: none"> <li>1. Stram bladsporskruene.</li> </ol>
Motoren kjører men bladet spinner ikke	<ol style="list-style-type: none"> <li>1. Spenning ikke innstilt riktig.</li> <li>2. Drivrem er ødelagt.</li> </ol>	<ol style="list-style-type: none"> <li>1. Bruk bladspenningspaken for å stille inn spenning.</li> <li>2. Hvis det finnes noe skade, skift ut omgående via en fagperson.</li> </ol>





## Русский (Перевод из первоначальных инструкций)

### ОПИСАНИЕ

- |  |  |
|--|--|
| 1. Ручка регулировки натяжения полотна                                 | 53. Зафиксировать                      |
| 2. Винт блокировки крышки  | 54. Упорный подшипник                  |
| 3. Просмотровое окно   | 55. Винт упорного подшипника           |
| 4. Подсветка   | 56. Винт опоры направляющей полотна    |
| 5. Защитное устройство режущего диска                                  | 57. Опора верхней направляющей полотна |
| 6. Пильное полотно   | 58. Направляющая полотна               |
| 7. Угловой упор  | 59. Нажимной винт направляющей полотна |
| 8. Отверстие для отсасывания пыли                                      | 60. Винт направляющей полотна          |
| 9. Стрелка шкалы   | 61. Опора нижней направляющей полотна  |
| 10. Ручка регулировки угла   | 62. Щетка                              |
| 11. Линейка  | 63. Шайба                              |
| 12. Рычаг блокировки столика   | 64. Винты                              |
| 13. Ручка блокировки   | 65. Шина                               |
| 14. Ручка регулировки направляющей полотна                             |  |
| 15. Рычаг натяжения полотна  |  |
| 16. Защитная пластина  |  |
| 17. Регулятор положения  |  |
| 18. Тумблер включения/выключения                                       |  |
| 19. Стол ленточно-пильного станка                                      |  |
| 20. Передняя нижняя панель   |  |
| 21. Передняя верхняя панель  |  |
| 22. Направляющая планка  |  |
| 23. Выключатель подсветки  |  |
| 24. Направляющая линейка   |  |
| 25. Отвертка Phillips (не входит в комплект поставки)                  |  |
| 26. Разводной гаечный ключ (не входит в комплект поставки)             |  |
| 27. Небольшой комбинированный угольник (не входит в комплект поставки) |  |
| 28. Шестигранный гаечный ключ , 3 мм                                   |  |
| 29. Шестигранный гаечный ключ , 4 мм                                   |  |
| 30. Шестигранный гаечный ключ , 5 мм                                   |  |
| 31. Шайба  |  |
| 32. Колпачковые гайки  |  |
| 33. Шайбы  |  |
| 34. Ножки  |  |
| 35. Крепежные болты  |  |
| 36. Шестигранные гайки   |  |
| 37. Удлинитель опоры   |  |
| 38. Отверстия в основании пилы   |  |
| 39. Гайка в форме буквы D  |  |
| 40. Барашковый винт  |  |
| 41. Кронштейн столика  |  |
| 42. Блок направляющей полотна  |  |
| 43. Регулировочный болт  |  |
| 44. Увеличить натяжение  |  |
| 45. Снизить натяжение  |  |
| 46. Ручка блокировки   |  |
| 47. Прорезь углового упора   |  |
| 48. Винты Phillips   |  |
| 49. Верхнее колесо   |  |
| 50. Направляющие нижнего полотна                                       |  |
| 51. Нижнее колесо  |  |
| 52. Расцепить  |  |





## Русский (Перевод из первоначальных инструкций)

В основе конструкции вашего ленточно-пильного станка лежат принципы безопасности, продуктивности и надежности.

### НАЗНАЧЕНИЕ

Ленточно-пильный станок предназначен для выполнения прямых разрезов, нарезания плоской спирали и резки по окружности древесины и изделий из древесины.

К работе с устройством допускаются совершеннолетние лица, ознакомившиеся с инструкцией по эксплуатации и осознающие связанные с этим риски и угрозы.

Пилу следует использовать в сухих условиях при хорошем освещении и достаточной вентиляции.

Используйте данное изделие только по его прямому назначению в соответствии с данным руководством.

### ОБЩИЕ ПРАВИЛА БЕЗОПАСНОСТИ

#### ОСТОРОЖНО

При использовании электрических инструментов следует соблюдать основные правила технической безопасности для снижения опасности возгорания, поражения электрическим током и получения травм. Перед использованием инструмента прочитайте все инструкции и сохраните их для использования в будущем.

- **Содержите рабочую зону в чистоте.** Загромождение рабочей зоны может привести к телесным повреждениям.
- **Принимайте во внимание условия работы.** Не пользуйтесь инструментом под дождем. Не пользуйтесь инструментом в условиях повышенной влажности. Работайте при хорошем освещении. Не пользуйтесь инструментом в присутствии огнеопасных жидкостей или газов.
- **Защита от поражения электрическим током.** Избегайте контакта с заземленными поверхностями (трубами, батареями отопления, кухонными плитами, холодильниками).
- **Не допускайте в рабочую зону посторонних лиц.** Не допускайте к работе посторонних лиц, особенно детей, не позволяйте им касаться инструмента или кабеля питания, не допускайте их в рабочую зону.
- **Неиспользуемые инструменты убирайте на хранение.** Неиспользуемый инструмент следует хранить в сухом защищенном месте, недоступном для детей.

- **Не увеличивайте скорость работы инструмента.** Это позволит выполнить работу лучше и безопаснее с номинальной скоростью.
- **Используйте надлежащий инструмент.** Не пользуйтесь небольшим инструментом для выполнения трудоемких операций. Не используйте инструмент для непредназначенных для него целей, например, не используйте циркулярную пилу для обрезки ветвей деревьев или бревен.
- **Одевайтесь соответствующим образом.** Не надевайте свободную одежду или украшения, так как они могут попасть в движущиеся части. При наружных работах рекомендуется надевать нескользящую обувь. Воспользуйтесь защитным головным покрытием, чтобы прикрыть длинные волосы.
- **Используйте средства защиты.** Пользуйтесь защитными очками. Если при работе образуется пыль, надевайте пылезащитную маску.
- **Используйте устройство удаления пыли.** Если инструмент предусматривает использование устройства сбора и удаления пыли, обязательно его используйте.
- **Не допускайте неправильного обращения с кабелем.** Не дергайте кабель питания для отключения его от сети. Предохраняйте кабель питания от источников повышенного тепловыделения, масляных участков и острых предметов.
- **Зафиксируйте обрабатываемую заготовку.** При возможности всегда используйте зажимы или тиски для крепления заготовки. Это безопаснее, чем пользоваться руками.
- **Не прикладывайте чрезмерных усилий.** Старайтесь сохранять устойчивость и подыскивайте твердую опору.
- **Заботливо обращайтесь с инструментами.** Для лучшего и безопасного применения поддерживайте режущий элемент в чистоте и наточенном состоянии. При смазке и замене принадлежностей следуйте инструкциям. Регулярно проверяйте исправность кабелей, при их повреждении обращайтесь для ремонта в специализированный сервисный центр. Регулярно осматривайте удлинительные кабели и заменяйте поврежденные из них. Содержите ручки в сухом и чистом виде, очищайте их от масла и смазки.
- **Отключите инструменты.** Перед операциями технического обслуживания, замене принадлежностей (режущие полотна, насадки, резак) отключите инструмент от сети питания.
- **Удалите ключи для выполнения настройки и регулировки.** Возьмите себе за правило проверять перед включением инструмента отсутствие на нем





## Русский (Перевод из первоначальных инструкций)

гаечных и регулировочных ключей.

- **Не допускайте непреднамеренного запуска.** При подключении к сети питания убедитесь, что выключатель находится в положении «выключено».
- **При наружных работах используйте электроудлинитель.** При наружных работах используйте электрический удлинитель, предназначенный для наружного использования.
- **Будьте внимательны.** Сохраняйте внимание при работе, пользуйтесь здравым смыслом и не работайте при испытании усталости.
- **Проверяйте поврежденные детали.** Перед дальнейшим использованием инструмента тщательно проверьте его надлежащую работу и выполнение предназначенных ему функций. Проверьте регулировку движущихся частей, их соединение, отсутствие повреждений, надежность крепления и другие условия, которые могут повлиять на работу инструмента. Поврежденное защитное устройство или другую деталь следует отремонтировать или заменить в сервисном центре, если иное не указано в данном руководстве по эксплуатации. Неисправные выключатели заменяйте в специализированном центре обслуживания. Не пользуйтесь инструментом с неисправным выключателем питания.
- **Осторожно.** Использование любых других принадлежностей, кроме рекомендованных в данных инструкциях, может привести к телесным повреждениям.
- **Для ремонта инструмента обращайтесь к квалифицированному специалисту.** Данный электроинструмент соответствует основным требованиям техники безопасности. Во избежание угроз здоровью ремонт инструмента следует поручать только квалифицированным специалистам с использованием оригинальных запасных деталей.

### ТРЕБОВАНИЯ БЕЗОПАСНОСТИ ПРИ РАБОТЕ С ЛЕНТОЧНО-ПИЛЬНЫМ СТАНКОМ

- **Не пользуйтесь инструментом, если выключатель не функционирует.** Неисправные выключатели заменяйте в специализированном центре обслуживания.
- **Запасные части.** Все виды ремонта, как электрический, так и механический, должны осуществляться квалифицированными специалистами в авторизованных сервисных центрах.
- **При проведении текущего ремонта используйте только идентичные запчасти.** Использование других запчастей может представлять опасность или повредить изделия.
- **Не допускайте попадания рук в область режки.** Не держите руками настолько маленькие детали, что ваши пальцы попадают под направляющую полотно. Ни в коем случае не протягивайте руки и не суйте пальцы под обрабатываемую деталь и на линию движения режущего диска.
- **Никогда не пилите и не укладывайте на столик более одной детали одновременно.**
- **Не подавайте материал слишком быстро.** Не толкайте деталь к полотну с усилием.
- **Используйте только надлежащие режущие диски.** Используйте полотно соответствующего размера и качества для выбранного вами материала и типа разреза. Зубцы полотна должны быть направлены вниз в сторону стола.
- **Всегда придерживайте большие детали при выполнении разрезов, чтобы снизить риск поломки полотна и отбрасывания детали.** При пилении больших или тяжелых досок пила может соскальзывать или вилять.
- **Не пытайтесь извлечь зажатые отрезанные куски детали до полной остановки полотна.**
- **Не используйте поврежденные или деформированные пыльные ленты.**
- **Заменяйте изношенные прокладки, укладываемые на стол.**
- **При резке древесины подсоедините пилу к системе пылесборника.**
- **Не пользуйтесь инструментом при открытом защитном устройстве пыльной ленты.**
- **Выбирайте тип пыльной ленты и скорость работы в зависимости от типа материала.**
- **Не пытайтесь очистить пыльную ленту во время ее движения.**
- **Работать с пыльной лентой и жестким материалом следует в перчатках.**
- **При прямом пилении небольших деталей с помощью направляющей линейки пользуйтесь толкателем.**

- **Плотно зажмите или прикрутите станок к верстаку или станине примерно на высоте бедра.**
- **Никогда не пользуйтесь инструментом на полу.**
- **Избегайте неловких действий или положений руки, когда рука может случайно соскользнуть и попасть под режущий диск.** Всегда сохраняйте устойчивость.
- **Перед выполнением разреза дождитесь, пока двигатель не разгонится на полную мощность, чтобы избежать застревания и спада скорости.**



## Русский (Перевод из первоначальных инструкций)

- При перемещении инструмента защита пыльной ленты должна быть полностью опущена и прилегать к столу.
- Поместите направляющую линейку на нижнюю сторону стола при выполнении наклонного распила с наклоненным столом.
- При пилении бревен круглой или неправильной формы пользуйтесь соответствующим устройством для удержания, чтобы деталь не выскочила.
- Не перемещайте и не удерживайте инструмент, держась за защитные устройства
- Отрегулируйте защиту так, чтобы она наиболее близко располагалась к обрабатываемым деталям.
- Запрещается касаться режущего диска или других движущихся частей во время эксплуатации.
- Перед изменением настроек инструмента, а также снятием крышек, защитных устройств и полотен, отключайте станок от источника питания.
- Всегда держите деталь плотно прижатой к столу.
- Во избежание случайного контакта с полотном следите за его целостностью и обеспечьте максимальную опору полотна. Всегда регулируйте блок направляющей полотна так, чтобы был лишь небольшой зазор между полотном и деталью.
- Содержите режущие диски заточенными и в чистом виде, имея в запасе достаточное их количество. При использовании острых режущих дисков снижается опасность их останова и отбрасывания.
- Всегда выключайте пилу, прежде чем отсоединить кабель питания, чтобы исключить случайный запуск при повторном подсоединении кабеля.
- Перед началом любых работ с использованием пилы убедитесь, что рабочий участок хорошо освещен и обрабатываемая заготовка хорошо видна и что нет никаких препятствий для безопасной работы.
- Направляющие полотна идут с заводскими настройками. Эти настройки действуют в нескольких приложениях. Мы рекомендуем проверить и отрегулировать настройки направляющей полотна перед первым использованием станка. Смотрите процедуры "Регулировка упорного подшипника и опоры направляющей полотна", описанные в разделе

РЕГУЛИРОВКА настоящего руководства пользователя.

- **Не используйте инструмент для резки металла.**
- **На данном устройстве должны быть установлены следующие знаки:**
  - Применяйте средства защиты органов зрения
  - Не касайтесь режущего диска.
  - Не пытайтесь извлечь зажатые или отрезанные куски детали до полной остановки полотна.
  - Проверьте: полотно должно быть установлено зубьями вниз.
  - Выполните соответствующую регулировку натяжения полотна, направляющих полотна и упорных подшипников.
  - Отрегулируйте верхнюю направляющую так, чтобы был лишь небольшой зазор между полотном и деталью.
  - При пилении держите деталь плотно прижатой к столу.
- **Если кабель питания поврежден, во избежание опасности его должен заменить либо сам производитель, либо специалист авторизованного сервисного центра.**
- **Сохраните данные инструкции.** Чаще обращайтесь к ним и используйте для инструктажа других пользователей. Если вы временно передаете кому-либо данный инструмент, передайте вместе с ним и данные инструкции.

### ЭЛЕКТРИЧЕСКИЕ ЭЛЕМЕНТЫ

#### УДЛИНИТЕЛЬНЫЕ КАБЕЛИ

Пользуйтесь только 3-жильным удлинительным кабелем, имеющим 3-контактную вилку с заземлением и 3-гнездовой электрической розеткой, соответствующей имеющейся вилке. При использовании электрического устройства на значительном расстоянии от места подключения к электросети пользуйтесь удлинительным кабелем, который сможет выдержать ток нагрузки для данного устройства. Использование маломощного удлинительного кабеля приведет к падению напряжения в цепи, что вызовет потерю мощности и перегрев двигателя.

Перед использованием удлинителя проверьте его на наличие оголенных или ослабленных проводов, а также разрывов или повреждения изоляции.



## Русский (Перевод из первоначальных инструкций)

### **▲ ОСТОРОЖНО**

Не размещайте удлинительный кабель в рабочей зоне. Разместите кабель таким образом, чтобы он не зацепился за посторонние предметы, инструменты или другие препятствия при работе с электроинструментом. Невыполнение этого требования может привести к серьезной травме.

### **▲ ОСТОРОЖНО**

Проверяйте удлинительный кабель перед каждым использованием. В случае повреждения сразу же замените его. Никогда не пользуйтесь устройством с поврежденным кабелем питания, так как прикосновение к поврежденному участку может привести к поражающему электрическим током и тяжким телесным повреждениям.

### **ЭЛЕКТРИЧЕСКОЕ ПОДКЛЮЧЕНИЕ**

Данное устройство приводится в действие с электродвигателем с высоким качеством сборки. Устройство следует подключать только к электрической сети переменного тока с напряжением 220~240 В, 50 Гц (стандартные параметры электросети для жилых помещений). Не используйте для питания данного устройства постоянный ток. Значительное падение напряжения на двигателе приведет к выделению мощности и перегреву двигателя. Если подключенное к розетке устройство не работает, убедитесь в наличии напряжения в сети.

### **СКОРОСТЬ И ПРОВОДКА**

Скорость инструмента на холостом ходу составляет 11 м/с. Эта скорость непостоянная и уменьшается при изменении нагрузки или уменьшении напряжения. Для напряжения кабельная разводка цеха так же важна, как и номинальное значение входной мощности для двигателя. Линия, предназначенная для подсветки, не может обеспечить надлежащее питание двигателя инструмента. Провод, достаточный для короткого участка, может оказаться недостаточным для более протяженного участка. Линия, к которой может быть подключен один инструмент, может быть не рассчитана на подключение двух или трех инструментов.

### **УКАЗАНИЯ ПО ЗАЗЕМЛЕНИЮ**

Данное устройство должно быть заземлено. В случае неисправности или поломки устройства заземление обеспечит электрическому току для протекания путь наименьшего сопротивления и предотвратит опасность поражения электрическим током. Данное устройство снабжено электрокабелем с заземляющим проводом и вилкой с контактом заземления. Вилка должна

подключаться к заземленной розетке, установленной в соответствии со всеми действующими в данном регионе нормами.

Не переделявайте вилку питания. Если вилка не подходит к розетке, обратитесь к квалифицированному электрику для установки подходящей розетки. Сразу же ремонтируйте или заменяйте поврежденный или изношенный кабель.

### **ОСТАТОЧНЫЕ РИСКИ**

Даже когда изделие используют согласно инструкциям, невозможно полностью устранить факторы риска. Следующие опасности могут возникнуть во время его использования, и во избежание их рабочий должен обратить особое внимание на следующее:

- Отдача от деталей и частей деталей из-за неправильной регулировки или неверного обращения.
  - Повреждение дыхательной системы.
- ПРИМЕЧАНИЕ:** Носите средства защиты органов дыхания, содержащие фильтры, соответствующие обрабатываемым материалам. Обеспечьте надлежащую вентиляцию на рабочем месте. Не ешьте, не пейте и не курите в рабочей зоне.
- Травмирование органов слуха вследствие игнорирования соответствующих средств защиты.

### **ИЗУЧИТЕ ИЗДЕЛИЕ**

См. рис. 1.

Безопасное использование данного устройства требует понимания информации, приведенной на нем самом и в данном руководстве по эксплуатации, а также знания выполняемой работы. Перед использованием данного устройства ознакомьтесь со всеми режимами работы и требованиями техники безопасности.

### **РУЧКА РЕГУЛИРОВКИ УГЛА**

Наклоняет пильный столик для наклонного пиления.

### **ЗАЩИТНОЕ УСТРОЙСТВО РЕЖУЩЕГО ДИСКА**

Защищает оператора от контакта с полотном.

### **РУЧКА РЕГУЛИРОВКИ НАПРАВЛЯЮЩЕЙ ПОЛОТНА**

Используйте ручку регулировки направляющей полотна для регулировки блока направляющей полотна вверх или вниз, а также для предотвращения закручивания и разрыва полотна. Всегда блокируйте блок направляющей полотна перед включением ленточно-пильного станка.





## Русский (Перевод из первоначальных инструкций)

### НАПРАВЛЯЮЩИЕ ПОЛОТНА

Верхние и нижние направляющие полотна предотвращают его закручивание во время работы.

### ОТВЕРСТИЕ ДЛЯ ОТСАСЫВАНИЯ ПЫЛИ

Отверстие для отсасывания пыли диаметром 53 мм позволяет выполнять пиление без пыли. Прикрепите к отверстию для отсасывания пыли мешок для сбора пыли (не включен в поставку) или промышленный пылесос.

### ВИНТ БЛОКИРОВКИ КРЫШКИ

Позволяет держать переднюю крышку открытой для выполнения регулировки.

### УГЛОВОЙ УПОР

Данный датчик выравнивает заготовку для выполнения поперечного разреза. Простой индикатор показывает точный угол для выполнения разреза под углом 15°, 30°, 45° и 60°.

### РЫЧАГ НАТЯЖЕНИЯ ПОЛОТНА RAPIDSET™

Регулирует натяжение полотна при смене полотен и настройке различных приложений.

### ПИЛЬНОЕ ПОЛОТНО

Станок поставляется со стандартным полотном 6,35 мм.

### ПИЛЬНЫЙ СТОЛИК С ЗАЩИТНОЙ ПЛАСТИНОЙ

Ваш ленточно-пильный станок оснащен пильным столиком с регулировкой наклона. Защитная пластина, устанавливаемая на пильный столик на заводе, обеспечивает зазор между полотном и столиком.

### ШКАЛА И СРЕЛКА ШКАЛЫ

Шкала и стрелка шкалы показывают угол наклона пильного столика при пилении под углом.

### РЫЧАГ БЛОКИРОВКИ СТОЛИКА

При ослаблении рычага блокировки столика можно наклонять пильный столик под любым углом. При затянутом рычаге блокировки столика пильный столик закрепляется на месте.

### РЕГУЛЯТОР ПОЛОЖЕНИЯ

Регулирует ленту по центру колес.

### ПРОСМОТРОВОЕ ОКНО

Просмотровое окно облегчает регулировку ленты под контролем зрения.

### НАПРАВЛЯЮЩАЯ ЛИНЕЙКА

Для подачи детали пользуйтесь толкателем, пока деталь не уйдет с пильного столика.

### СПИСОК ЗАПАСНЫХ ДЕТАЛЕЙ

Описание	Кол-во
Шайбы	7
Рычаг блокировки столика	1
Шестигранный гаечный ключ , 3 мм	1
Шестигранный гаечный ключ , 4 мм	1
Шестигранный гаечный ключ , 5 мм	1
Угловой упор	1
Глухие гайки	4
Ножки	4
Стол ленточно-пильного станка	1
Крепежные болты	2
Шестигранные гайки	2
Раздвижная опора	1
Направляющая планка	1
Направляющая линейка	1
Руководство пользователя	1

### СБОРКА

#### РАСПАКОВЫВАНИЕ

Необходимо осуществлять монтаж данного инструмента.

- Осторожно извлеките инструмент из коробки и поставьте на ровную рабочую поверхность.

#### **⚠ ОСТОРОЖНО**

Не пользуйтесь инструментом, если при распаковывании инструмента обнаружите, что какие-либо детали из списка отдельных деталей уже были установлены. Детали, указанные в упаковочном листе, не устанавливаются производителем. Покупатель их устанавливает на месте. Использование неправильно собранного инструмента может привести к тяжелой травме.

- Тщательно проверьте инструмент на наличие каких-либо неисправностей или





## Русский (Перевод из первоначальных инструкций)

повреждений, вызванных транспортировкой.

**ПРИМЕЧАНИЕ:** При транспортировке станка пыльное полотно идет без натяжения. Не включайте станок, пока не выставите соответствующее натяжение полотна.

- Не утилизируйте упаковочный материал, пока тщательно не проверите инструмент и не будете удовлетворены его состоянием.
- При отсутствии или повреждении каких-либо деталей, обращайтесь в соответствующий авторизованный сервисный центр.

### **⚠ ОСТОРОЖНО**

При отсутствии или повреждении каких-либо деталей не используйте инструмент, пока соответствующие детали не будут заменены. Использование инструмента при отсутствии или повреждении каких-либо деталей может привести к тяжелой травме.

### **⚠ ОСТОРОЖНО**

Не пытайтесь модифицировать данный инструмент или создавать вспомогательные приспособления, не рекомендуемые для использования с данным инструментом. Любые такие изменения или модификации являются злоупотреблением и могут привести к опасным ситуациям и серьезным физическим травмам.

### **⚠ ОСТОРОЖНО**

Не подключайте инструмент к сети питания, пока не будет завершен монтаж. При несоблюдении этого требования может произойти случайное включение инструмента, что может привести к тяжелой травме.

### УСТАНОВКА ИНСТРУМЕНТА НА ВЕРСТАК

Если использование инструмента планируется в постоянном месте, его необходимо установить на жесткую опорную поверхность, такую как верстак. Для этих целей в основании станка имеется четыре крепежных отверстия. Болты (не входят в поставку) должны быть достаточной длины, чтобы вставить основание станка, блокирующие шайбы (не входят в поставку), шестигранные гайки (не входят в поставку) и толщину верстака. Тщательно затяните все четыре болта.

После установки тщательно проверьте верстак, чтобы убедиться, что он закреплен неподвижно. При опрокидывании, скольжении или влиятии перед началом работы зафиксируйте верстак к полу.

- Поместите инструмент на верстак. Используя основание станка в качестве шаблона, выполните разметку отверстий для крепления инструмента.
- Просверлите отверстия на верстаке.
- Поместите станок на верстак, выравнивая отверстия в основании станка с отверстиями на верстаке.
- Вставьте болты (не входят в поставку) и тщательно затяните с помощью стопорных шайб и шестигранных гаек (не входят в поставку).  
**ПРИМЕЧАНИЕ:** все болты должны вставляться сверху. Установите стопорные шайбы и шестигранные гайки снизу верстака.

### КРЕПЛЕНИЕ ИНСТРУМЕНТА НА ВЕРСТАК

*См. рис. 4.*

Если инструмент планируется использовать в качестве портативного, рекомендуется установить его на монтажную доску, а затем с помощью зажима крепить на верстак или другую опорную поверхность. Монтажная доска должна быть соответствующего размера, чтобы не вызывать опрокидывание станка при использовании. Рекомендуем использовать фанеру хорошего качества или ДСП толщиной 19 мм.

При использовании шурупов с квадратной головкой проверьте их длину: они должны проходить через отверстия в основании станка и через материал, к которому будет крепиться станок. При использовании шурупов с шестигранной головкой проверьте их длину: они должны проходить через отверстия в основании станка, через материал, к которому будет крепиться станок и учитывать толщину блокирующих шайб и шестигранных гаек.

### **ПРИМЕЧАНИЕ: ВОЗМОЖНО, ПОНАДОБИТСЯ УГЛУБИТЬ ШЕСТИГРАННЫЕ ГАЙКИ И ШАЙБЫ НА НИЖНЕЙ СТОРОНЕ МОНТАЖНОЙ ДОСКИ.**

- Установите станок на доску, используя отверстия в основании станка в качестве шаблонов. Выполните разметку отверстий для крепления станка.
- Выполните последние три пункта данного выше раздела Установка инструмента на верстак.

### УСТАНОВКА ПЫЛЬНОГО СТОЛИКА

*См. рисунки 5, 7.*

- Снимите гайку в форме буквы d, шайбы и барашковый винт на пыльном столике.
- Находясь спереди станка, опустите пыльный столик за полотном и через прорезь справа налево.
- Удерживая пыльный столик левой рукой и оттягивая ручку регулировки угла наклона столика в сторону от рамы, выровняйте зубцы на кронштейне пыльного столика с зубцами на ручке регулировки угла наклона. Отпустите ручку.







## Русский (Перевод из первоначальных инструкций)

- Штырьки на раме должны войти в прорези на кронштейне пильного столика.
- Установите шайбу на резьбовом конце рычага блокировки столика. Зафиксируйте пильный столик на пильной раме, повернув рычаг блокировки столика по часовой стрелке.
- Установите гайку в форме буквы d, шайбы и барашковый винт на пильный столик.

**ПРИМЕЧАНИЕ:** Барашковый винт должен находиться под пильным столиком.

### УСТАНОВКА ОПОРЫ-УДЛИНИТЕЛЯ

См. рис. 6.

- Установите трубки опоры-удлинителя в отверстия на основании станка с задней стороны.
- Выровняйте отверстия на трубках с отверстиями на основании станка.
- Вставьте крепежные болты и затяните их с помощью шайб и шестигранных гаек.

### ВЫВЕРКА НА ПЕРПЕНДИКУЛЯРНОСТЬ ПИЛЬНОГО СТОЛИКА К ПОЛОТНУ

См. рисунки 8 - 9.

- Поверните ручку блокировки против часовой стрелки, чтобы разблокировать блок направляющей полотна. Повернув ручку регулировки направляющей полотна, поднимите блок направляющей полотна на максимальную высоту. Поверните ручку блокировки по часовой стрелке, чтобы снова затянуть ее.
- Поместите небольшой комбинированный угольник на пильный столик рядом с полотном.
- Ослабьте рычаг блокировки столика и поверните ручку регулировки угла, чтобы наклонить пильный столик вверх или вниз так, чтобы он расположился под углом 90° к полотну (положение 0°). Затяните рычаг блокировки столика.
- Поверните регулировочный болт так, чтобы он едва касался корпуса станка.
- Проверьте перпендикулярность расположения пильного столика по отношению к полотну. При необходимости, выполните повторную регулировку.
- Установите стрелку шкалы на ноль и затяните винт отверткой phillips.

**ПРИМЕЧАНИЕ:** всегда выполняйте тестовый разрез для проверки перпендикулярности расположения полотна перед началом нового проекта. Если полотно расположено не перпендикулярно, возможно, следует ослабить винты под пильным столиком для выполнения соответствующей регулировки (угловая прорезь должна быть параллельна пильному полотну).

Отрегулировав столик, снова затяните винты.

### РЕГУЛИРОВКА НАТЯЖЕНИЯ ПОЛОТНА

См. рисунки 10 - 11.

- Выключите инструмент.
- Перед использованием пильного станка поверните ручку регулировки натяжения полотна вверх станка по часовой стрелке для установления натяжения.
- **ПРИМЕЧАНИЕ:** регулировку натяжения полотна можно выполнить в любое время.
- Щипните задний край пильного полотна, как гитарную струну, поворачивая ручку натяжения.

С увеличением натяжения звук станет выше. Никогда не увеличивайте натяжение полотна настолько, чтобы полностью сжать пружину. Полностью сжатая, пружина уже не сможет работать в качестве амортизатора.

Слишком сильное натяжение может вызвать поломку полотна. Для пилия деталей большей толщины необходимо большее натяжение, максимальное натяжение не требуется ни для каких работ. При слишком слабом натяжении полотно может соскочить с колес.

### РЕГУЛИРОВКА ПОЛОЖЕНИЯ ПОЛОТНА

См. рис. 11.

Перед регулировкой положения полотна необходимо выполнить регулировку его натяжения. Проверьте: направляющие полотна не должны мешать прохождению полотна. Впадина между зубьями полотна должна находиться в центре шины.

#### Чтобы выполнить регулировку:

Отключите инструмент от сети. Откройте переднюю крышку, открыв винты блокировки крышки. Наблюдайте за положением полотна на верхней шине, медленно поворачивая рукой верхнее колесо по часовой стрелке. Если полотно выходит из центра шины, необходимо выполнить регулировку положения полотна.

#### Если полотно отклоняется вправо или влево от центра шины:

- Поверните ручку регулировки положения полотна (по часовой стрелке, если полотно отклоняется влево; против часовой стрелки, если полотно отклоняется вправо), поворачивая колесо рукой, пока полотно не вернется на свое место к центру шины.
- Проверьте положение полотна на нижней шине. Полотно должно располагаться полностью на шине (впадина между зубьями полотна должна находиться в центре шины). Если это не так,



## Русский (Перевод из первоначальных инструкций)

выполните регулировку положения полотна так, чтобы полотно располагалось на обеих шинах.

- Поверните верхнее колесо рукой по часовой стрелке еще на несколько оборотов. Проверьте, полотно должно оставаться в том же положении на шинах. При необходимости выполните повторную регулировку, пока полотно не будет располагаться соответствующим образом.
- Закройте передние крышки и закрутите винт блокировки крышки.
- Включите инструмент.
- Через просмотровое окно проверьте расположение полотна по центру. Если полотно располагается не по центру, повторите указанные выше шаги.

### **▲ ОСТОРОЖНО**

Направляющие полотна идут с заводскими настройками. Эти настройки действуют в нескольких приложениях. Мы рекомендуем проверить и отрегулировать настройки направляющей полотна перед первым использованием станка. Смотрите процедуры "Регулировка упорного подшипника и опоры направляющей полотна", описанные в разделе "Регулировка" настоящего руководства пользователя.

### УСТАНОВКА НАПРАВЛЯЮЩЕЙ ПЛАНКИ

- Установите направляющую планку на левой стороне пильного столика, ручка блокировки должна располагаться спереди.
- Опустите вниз ручку блокировки, чтобы зафиксировать положение направляющей планки.
- Поверните ручку блокировки, чтобы отрегулировать степень натяжки зажимов.

### ЭКСПЛУАТАЦИЯ

### **▲ ОСТОРОЖНО**

Овладев инструментом, не теряйте бдительности. Помните, что секундное невнимание может привести к серьезным травмам.

### **▲ ОСТОРОЖНО**

Всегда надевайте защитные очки. При несоблюдении этого правила техники безопасности посторонние предметы могут попасть в глаза и привести к тяжелым травмам.

### **▲ ОСТОРОЖНО**

е используйте какие-либо приспособления и принадлежности, не рекомендованные изготовителем данного изделия. Использование других деталей и аксессуаров ведет к тяжелым травмам.

### **▲ ОСТОРОЖНО**

Чтобы избежать контакта с полотном, отрегулируйте блок направляющей полотна так, чтобы был лишь небольшой зазор между полотном и деталью. Невыполнение этого требования может привести к серьезной травме.

### **▲ ОСТОРОЖНО**

Никогда не пользуйтесь инструментом, если не установлена защита полотна и передняя крышка не заблокирована. В противном случае это может привести к тяжелой травме.

### ОСНОВНЫЕ ВИДЫ РАБОТЫ ЛЕНТОЧНО-ПИЛЬНОГО СТАНКА

Основной операцией ленточно-пильного станка является выполнение изогнутых разрезов, хотя он также может использоваться для выполнения прямых разрезов, таких как поперечные разрезы, разрезы под углом и наклоном, сложные разрезы и продольная распиловка. При использовании станка для выполнения прямых разрезов, пользователь может установить направляющую планку, используя кусок дерева соответствующего размера, зажатый на столике с помощью струбицы. Станок не применим для выполнения внутренних и несквозных разрезов.

Перед выполнением разреза проверьте работу инструмента. При возникновении чрезмерной вибрации или необычного шума немедленно прекратите работу. Выключите инструмент и отключите его от сети. Не возобновляйте работу до обнаружения и устранения неисправности.

### ВЫПОЛНЕНИЕ РАЗРЕЗОВ

- Всегда держите деталь плотно прижатой к столику.
- Подавайте детали к пильному полотну двумя руками с небольшим давлением. Не толкайте деталь, позвольте полотну выполнить разрез.
- Минимальный диаметр детали определяется шириной полотна. С помощью полотна шириной 6,35 мм можно разрезать деталь диаметром минимум 38 мм.



## Русский (Перевод из первоначальных инструкций)

- Не касайтесь режущего диска. Не держите руками настолько маленькие детали, что ваши пальцы попадают под направляющую полотна.
- Избегайте выполнения таких операций и положений рук, при которых внезапное соскальзывание может причинить тяжелую травму вследствие контакта с полотном. Никогда не помещайте руки на пути полотна.
- Пользуйтесь дополнительными опорами (столами, козлами, блоками и др.) при пилении больших, маленьких деталей или деталей необычной формы.
- Никогда не используйте человека в качестве замены удлинителью столика или дополнительной опоры для пиления деталей длиннее или шире пильного столика.
- При пилении деталей неправильной формы планируйте свою работу так, чтобы не повредить полотно. Например, кусок профиля должен плоско лежать на пильном столике. Детали не должны закручиваться, скатываться и скользить при пилении.

При обратном движении детали полотно может застрять в разрезе. Обычно это происходит при забивании разреза опилками или при выходе полотна из направляющих. Если это произошло:

- Выключите инструмент. Дождитесь полной остановки станка. Отключите инструмент от источника питания.
- Заклиньте разрез в открытом состоянии с помощью плоской отвертки или деревянного клина.
- Откройте переднюю крышку и поверните верхнее колесо рукой, вытаскивая деталь.

### ВСПОМОГАТЕЛЬНЫЕ РАЗРЕЗЫ

Вспомогательные разрезы выполняются при необходимости выпиливания сложной кривой (слишком маленького радиуса для полотна). Попробуйте сделать пропилы рисунка на ненужной детали, затем осторожно выведите полотно из детали. Перед выполнением сложной кривой необходимо сделать несколько вспомогательных разрезов, высвобождающих давление полотна.

### ФИГУРНОЕ ВЫРЕЗАНИЕ

Для нарезания плоской спирали общего типа выполняйте линии рисунка, толкая и поворачивая деталь одновременно. Не пытайтесь повернуть выпиливаемую деталь, не толкая ее - деталь может застрять или завернуть полотно.

### ИЗВЛЕЧЕНИЕ ЗАСТРЯВШЕГО МАТЕРИАЛА

Никогда не пытайтесь извлечь зажатые отрезанные куски детали до полной остановки полотна.

- Выключите инструмент. Дождитесь полной остановки станка.
- Перед удалением застрявшего материала отключите станок от источника питания.

### КАК ОБЕЗОПАСИТЬ СЕБЯ ОТ ТРАВМ

- Убедитесь, что станок стоит ровно и не качается. Станок всегда должен находиться на плоской твердой поверхности и иметь достаточно свободного пространства для соответствующей поддержки деталей.
- Прикрепите станок болтами к опорной поверхности для предотвращения скольжения и шатания при пилении длинных, тяжелых досок.
- Перед передвижением станка выключите его и отключите от источника питания.
- Не пытайтесь извлечь зажатые отрезанные куски детали до полной остановки полотна.
- Выбирайте полотно соответствующего размера и качества для планируемого вами материала и типа разреза.
- Зубья полотна должны быть направлены вниз к пильному столику; направляющие полотна, упорные подшипники и натяжение полотна отрегулированы должным образом; ручка направляющей полотна затянута и никакие детали не имеют слишком свободного хода
- Во избежание случайного контакта с полотном следите за его целостностью и обеспечьте максимальную опору полотна, всегда регулируйте блок направляющей полотна так, чтобы он едва касался детали.
- Пользуйтесь только рекомендуемыми приспособлениями.
- Перед включением станка очистите рабочий стол от всех посторонних предметов, за исключением обрабатываемой детали и соответствующих устройств для ее поддержки.
- Обеспечивайте соответствующую поддержку материалов круглой формы, таких как штыри и трубы, так как они имеют свойство откатываться при пилении, при этом полотно может "кусаться". Чтобы этого избежать, используйте блок в форме буквы "V" или зажмите деталь в угловом упоре.
- Перед удалением отрезанных деталей с пильного столика выключите станок и дождитесь остановки всех движущихся деталей.



## Русский (Перевод из первоначальных инструкций)

### ВКЛЮЧЕНИЕ/ВЫКЛЮЧЕНИЕ ИНСТРУМЕНТА

См. рис. 12.

- Нажмите "I", чтобы включить инструмент.
- Нажмите "O", чтобы выключить инструмент.

### ПЕРЕД ТЕМ, КАК ОСТАВИТЬ ИНСТРУМЕНТ БЕЗ ПРИСМОТРА

См. рис. 12.

- Выключите инструмент. Дождитесь полной остановки станка.
- Отключите инструмент от источника питания.
- Исключите доступ детей к рабочему месту.
- Отпустите натяжение пильного полотна с помощью рычага регулировки натяжения полотна Rapidset™, чтобы продлить срок использования полотна.
- Закройте мастерскую.

### ВКЛЮЧЕНИЕ/ВЫКЛЮЧЕНИЕ ПОДСВЕТКИ

См. рис. 13.

- Нажмите "☀", чтобы включить подсветку.
- Нажмите "O", чтобы выключить подсветку.

### УСТАНОВЛЕНИЕ НАКЛОНА СТОЛИКА

См. рис. 14.

- Немного ослабьте ручку блокировки столика.
- Поверните ручку регулировки угла, наклоняя пильный столик, пока он не достигнет нужного угла.
- С помощью стрелки шкалы проверьте показания угла.
- Затяните ручку блокировки столика, чтобы зафиксировать пильный столик.

### ИСПОЛЬЗОВАНИЕ УГЛОВОГО УПОРА

См. рисунки 15 - 16 .

Угловой упор можно установить максимум на 60° вправо или влево.

- Ослабьте ручку блокировки углового упора.
- Угловой упор должен находиться в прорези углового упора. Поверните упор так, чтобы на шкале был показан необходимый угол.
- Затяните ручку блокировки.

### ИСПОЛЬЗОВАНИЕ НАПРАВЛЯЮЩЕЙ ПЛАНКИ

Направляющая планка используется для всех видов продольной резки. Никогда не выполняйте продольную резку от руки, без установленной и закрепленной направляющей планки.

- Установите планку на необходимую ширину продольной резки и зафиксируйте ее.

- Перед началом продольной резки проверьте параллельность планки пильному полотну. При продольной резке длинных бревен или больших панелей всегда используйте поддержку.
- Удерживайте деталь у направляющей и подавайте ее через пильное полотно с мягким непрерывным давлением.

### РЕГУЛИРОВКА

#### **⚠ ОСТОРОЖНО**

Перед выполнением какой-либо регулировки отключите инструмент от источника питания и проверьте, чтобы выключатель находился в выключенном положении. Несоблюдение данных предупреждений может привести к тяжелым травмам.

#### **⚠ ОСТОРОЖНО**

Во избежание травм выполните соответствующую регулировку натяжения и положения полотна, направляющих полотна и упорных подшипников.

### УСТАНОВКА И РЕГУЛИРОВКА ПОЛОТНА

См. рис. 17.

- Ослабьте и снимите гайку в форме буквы D, шайбы и барашковый винт на пильном столике.
- Откройте переднюю крышку, открутив винты блокировки крышки.
- Поверните ручку блокировки против часовой стрелки, чтобы разблокировать блок направляющей полотна. Поворачивая ручку регулировки направляющей полотна (по часовой стрелке поднимает блок направляющей полотна; против часовой стрелки опускает его), установите блок направляющей полотна на половине расстояния между пильным столиком и корпусом станка. Затяните ручку блокировки.
- Откройте защиту полотна, потянув левую часть защиты в сторону от колеса.
- Полностью отпустите натяжение полотна.
- Осторожно извлеките старое полотно.
- В перчатках осторожно разверните новое полотно на длину рук. Если новое полотно покрыто смазкой для защиты от ржавчины, его необходимо вытереть, чтобы не испачкать маслом рабочее место. Осторожно протирайте в том же направлении, куда направлены зубья, чтобы материал не зацепился за зубья полотна.



## Русский (Перевод из первоначальных инструкций)

**ПРИМЕЧАНИЕ:** Если зубья направлены не в ту сторону, необходимо вывернуть полотно наружу. Держите полотно двумя руками и поворачивайте его внутрь.

- Направив зубья влево и вниз, проденьте полотно через нижние направляющие полотна и вокруг обоих колес.
- Медленно поверните верхнее колесо рукой вправо или по часовой стрелке, чтобы расположить полотно по центру резиновых шин.
- Подтяните рычаг натяжения полотна RapidSet™ и отрегулируйте натяжение полотна; проверьте или отрегулируйте положение полотна.
- Отрегулируйте верхнюю и нижнюю направляющие полотна и упорные подшипники, как описано ниже в настоящем Руководстве пользователя.
- Установите барашковый винт, шайбы и гайку в форме буквы D. Тщательно затяните.
- Закройте направляющую полотна и переднюю крышку. Затяните винт блокировки крышки.

### РЕГУЛИРОВКА БЛОКА НАПРАВЛЯЮЩЕЙ ПОЛОТНА

См. рисунки 18 - 19 .

Для предотвращения закручивания и поломки полотна блок направляющей полотна всегда необходимо устанавливать примерно на 3,2 мм выше детали.

- Поверните ручку блокировки против часовой стрелки, чтобы разблокировать блок направляющей полотна.
- Для установки высоты блока направляющей полотна вы можете воспользоваться куском древесины из такого же материала, как и деталь, которую вы планируете распилить. Отрегулируйте блок направляющей полотна, повернув ручку направляющей полотна.
- Зафиксируйте блок направляющей полотна, повернув ручку блокировки по часовой стрелке.
- Всегда блокируйте блок направляющей полотна перед включением ленточно-пильного станка.

### РЕГУЛИРОВКА ОПОРЫ НАПРАВЛЯЮЩЕЙ ПОЛОТНА И УПОРНЫХ ПОДШИПНИКОВ

См. рисунки 20 - 21 .

**ПРИМЕЧАНИЕ:** Перед выполнением регулировки затяните ручку блокировки и смотрите описание процедур "Регулировка натяжения полотна" и "Регулировка положения полотна", приведенные в разделе МОНТАЖ настоящего Руководства пользователя.

Во время выполнения разрезов верхние и нижние упорные подшипники полотна и опора направляющей

пильного полотна. Каждый раз при установке нового полотна необходимо выполнять регулировку подшипников и направляющих.

#### Для регулировки упорных подшипников:

Упорные подшипники поддерживают задний край полотна при выполнении разрезов. Полотно не должно касаться упорных подшипников при остановке работы. Важно, чтобы верхний и нижний упорные подшипники были одинаково отрегулированы.

- Откройте передние крышки и защиту полотна.
- С помощью шестигранного ключа ослабьте винты верхнего и нижнего упорного подшипника и протолкните упорный подшипник к задней части станка.
- Проверьте правильность расположения полотна, затем протолкните упорный подшипник вперед, на интервал 0,4 мм от полотна. Тщательно затяните винт упорного подшипника.
- Протолкните нижний подшипник вперед до необходимого зазора. Тщательно затяните винт упорного подшипника.

#### Для регулировки опоры направляющей полотна:

- Ослабьте нажимные винты опоры направляющей полотна и направляющей полотна с помощью шестигранного ключа.
- Протолкните опору верхней направляющей полотна к валу так, чтобы передний край направляющих касался пильного полотна за впадиной между зубьями полотна. Тщательно затяните винт.
- Толкните правую направляющую до контакта с полотном и отпустите. Медленно поверните полный круг колеса. Затяните нажимные винты направляющей полотна.
- Отрегулируйте левую сторону направляющей до достижения зазора 0,4 мм между полотном и направляющей (примерно на толщину игровой карты), вставив игральную карту между левой направляющей и полотном.
- Слегка надавите на штырек левой направляющей, чтобы игральная карта оставалась на месте. Затяните нажимной винт и удалите игральную карту.
- Ручкой проверните три полных оборота колеса, чтобы убедиться, что полотно не застревает.
- Закройте направляющую полотна и переднюю крышку. Зафиксируйте винтом.

Повторите процедуру для опоры нижней направляющей полотна.



## Русский (Перевод из первоначальных инструкций)

### РЕГУЛИРОВКА НАПРАВЛЯЮЩЕЙ ПЛАНКИ

- Ослабьте ручку блокировки, повернув ее против часовой стрелки.
- Установите направляющую планку в необходимое положение.
- Опустите вниз ручку блокировки, чтобы зафиксировать положение направляющей планки.
- Поверните ручку блокировки, чтобы отрегулировать степень затяжки зажимов.

### ТЕХНИЧЕСКОЕ ОБСЛУЖИВАНИЕ

#### **▲ ОСТОРОЖНО**

При проведении текущего ремонта используйте только идентичные запчасти. Использование других запчастей может представлять опасность или повредить изделия.

#### **▲ ОСТОРОЖНО**

Во время выполнения работ надевайте защитные очки. Если во время работы образуется много пыли, также надевайте пылезащитную маску.

#### **▲ ОСТОРОЖНО**

Перед выполнением каких-либо процедур отключите инструмент от источника питания и проверьте, чтобы выключатель находился в выключенном положении. Несоблюдение данных предупреждений может привести к тяжелым травмам.

### ОБЩЕЕ ТЕХНИЧЕСКОЕ ОБСЛУЖИВАНИЕ

Избегайте использования растворителей во время чистки пластмассовых частей. Многие пластмассы под воздействием различных бытовых растворителей повреждаются и могут разрушиться. Для снятия грязи, масла, жира, пыли и т.д. используйте чистой тряпкой.

#### **▲ ОСТОРОЖНО**

Никогда не допускайте контакта тормозной жидкости, бензина, продуктов на нефтяной основе, пропиточного масла и т.д. с пластмассовыми частями. Эти химикаты содержат вещества, которые могут испортить, ослабить или разрушить пластмассу. Это ведет к тяжелым травмам.

- Поддерживайте чистоту инструмента.
- Часто удаляйте опилки.

- Не позволяйте смоле скапливаться на пильном столике, направляющих полотна или упорных подшипниках. Очищайте поверхности с помощью специальных средств для очистки от смолы.
- Нанесите небольшое количество автомобильного воска на крышку пильного столика для более легкого скольжения деталей при резке.

### Смазка

Все трущиеся детали данного инструмента смазаны достаточным количеством высококачественной смазки на весь срок использования устройства при нормальных условиях эксплуатации. Поэтому дополнительная смазка не требуется.

### ШИНЫ

#### Очистка шин:

- На шинах собирается смола и опилки, которые необходимо удалять тонкой проволочной щеткой или куском дерева. **Не пользуйтесь острым ножом или растворителем.**

#### Замена шин:

- Откройте переднюю крышку и снимите пильное полотно. Смотрите раздел Установка и регулировка полотна
- Осторожно снимите поврежденную шину с колеса.
- Натяните на колесо новую шину.
- Замените пильное полотно и закройте переднюю крышку.

### ЩЕТКА

См. рис. 22.

Рядом с колесом внутри корпуса станка находится щетка. Сметая опилки, она защищает колесо и шину. По мере износа щетки, ее необходимо отрегулировать или заменить.

- Снимите винт и шайбу, затем извлеките щетку.
- Поместите в углубление новую щетку.
- Закрутите шайбу и винт.

### ТРАНСПОРТИРОВКА И ХРАНЕНИЕ

См. рисунки 23 - 24 .

- При транспортировке инструмента отключите его от источника питания, опустите защиту полотна и демонтируйте. Храните толкатель на корпусе станка вверх. Поднимите инструмент за верхнюю часть корпуса, как показано на рисунке. Храните изделие в безопасном недоступном для детей месте.

## Русский (Перевод из первоначальных инструкций)

- Перед постановкой изделия на хранение очищайте его, используя щетку или пылесос.

### ЗАЩИТА ОКРУЖАЮЩЕЙ СРЕДЫ



Утилизируйте как сырье, а не выбрасывайте как мусор. Машина, аксессуары и упаковка должны быть отсортированы.

### СИМВОЛ



Сигнал опасности



Соответствие требованиям CE



Внимательно прочтите данные инструкции перед использованием продукта.



Применяйте средства защиты органов зрения



Применяйте средства защиты органов слуха



ОПАСНО! Острый режущий диск!



Зафиксировать



Расцепить



Максимальная глубина разреза



Максимальная ширина разреза



Максимальный угол разреза



Рабочая скорость



Размер полотна



Перед проведением технического обслуживания инструмент необходимо отключить от электропитания.



Отработанная электротехническая продукция должна уничтожаться вместе с бытовыми отходами. Утилизируйте, если имеется специальное техническое оборудование. По вопросам утилизации проконсультируйтесь с местным органом власти или предприятием розничной торговли.



## Русский (Перевод из первоначальных инструкций)

### УСТРАНЕНИЕ НЕИСПРАВНОСТЕЙ

Неисправность	Возможная причина	Способ устранения
Двигатель не работает	<ol style="list-style-type: none"> <li>1. Неисправен выключатель или кабель электропитания.</li> <li>2. Неисправность двигателя.</li> <li>3. Застывание полотна.</li> </ol>	<ol style="list-style-type: none"> <li>1. Перед повторным использованием инструмента замените изношенные детали.</li> <li>2. Не предпринимайте попыток самостоятельно выполнить ремонт. Для ремонта инструмента обращайтесь к квалифицированному специалисту.</li> <li>3. Извлеките застрявший материал</li> </ol>
Полотно расположено не по центру верхнего колеса.	<ol style="list-style-type: none"> <li>1. Неверное расположение.</li> </ol>	<ol style="list-style-type: none"> <li>1. Отрегулируйте положение полотна, смотрите раздел РЕГУЛИРОВКА, "Положение полотна".</li> <li>2. Если он поврежден, немедленно обратитесь к квалифицированному специалисту для замены.</li> </ol>
Станок замедляет скорость при резке.	<ol style="list-style-type: none"> <li>1. Резка детали слишком маленького диаметра.</li> <li>2. Тупое полотно.</li> </ol>	<ol style="list-style-type: none"> <li>1. Прекратите подачу материала и немного верните его назад, пока не повысится скорость работы станка.</li> <li>2. Замените полотно.</li> </ol>
Поломка полотна.	<ol style="list-style-type: none"> <li>1. Слишком большое натяжение полотна.</li> <li>2. Перекручивание полотна из-за резки деталей слишком маленького радиуса или слишком быстрое поворачивание материала при резке.</li> <li>3. Упорный подшипник покрыт рубцами или не поворачивается.</li> </ol>	<ol style="list-style-type: none"> <li>1. Отрегулируйте натяжение. Смотрите раздел РЕГУЛИРОВКА, "Регулировка натяжения полотна".</li> <li>2. Используйте правильную технологию резки. Смотрите раздел Выполнение работы.</li> <li>3. Замените упорные подшипники.</li> </ol>
инструмент издает слишком сильный шум при работе.	<ol style="list-style-type: none"> <li>1. Слишком большое натяжение полотна.</li> <li>2. Направляющие полотна и подшипники задевают полотно.</li> </ol>	<ol style="list-style-type: none"> <li>1. Отрегулируйте натяжение. Смотрите раздел РЕГУЛИРОВКА, "Регулировка натяжения полотна".</li> <li>2. Отрегулируйте верхние и нижние направляющие полотна и подшипники. Смотрите раздел РЕГУЛИРОВКА, "Регулировка упорных подшипников и опоры направляющей полотна".</li> </ol>







## Русский (Перевод из первоначальных инструкций)

<p>Полотно не выполняет прямых разрезов.</p>	<ol style="list-style-type: none"> <li>1. Неправильно отрегулированы направляющие полотна и подшипники.</li> <li>2. Износ или повреждение полотна.</li> </ol>	<ol style="list-style-type: none"> <li>1. Отрегулируйте верхние и нижние направляющие полотна и подшипники. Смотрите раздел РЕГУЛИРОВКА, "Регулировка упорных подшипников и опоры направляющей полотна".</li> <li>2. Замените полотно.</li> </ol>
<p>Направляющие полотна не остаются в установленном положении.</p>	<ol style="list-style-type: none"> <li>1. Ослабли винты направляющей полотна.</li> </ol>	<ol style="list-style-type: none"> <li>1. Тщательно затяните винты направляющей полотна.</li> </ol>
<p>Двигатель работает, но полотно не поворачивается</p>	<ol style="list-style-type: none"> <li>1. Неправильно установлено натяжение.</li> <li>2. Разрыв приводного ремня.</li> </ol>	<ol style="list-style-type: none"> <li>1. Установите натяжение полотна с помощью рычага регулировки натяжения.</li> <li>2. Если он поврежден, немедленно обратитесь к квалифицированному специалисту для замены.</li> </ol>





## Polski (Tłumaczenie oryginalnej instrukcji)

### OPIS

- |  |                                  |
|--|----------------------------------|
| 1. Pokrętko naciągu brzeszczota  | 53. Blokada                      |
| 2. Śruba blokująca pokrywy   | 54. Łożysko ustalające           |
| 3. Wziernik ułożenia brzeszczota                                       | 55. Śruba łożyska ustalającego   |
| 4. Oświetlenie robocze   | 56. Śruba wspornika przewodnika  |
| 5. Osłona tarczy tnącej  | 57. Górny wspornik przewodnika   |
| 6. Tarcza tnąca  | 58. Przewodnik                   |
| 7. Wskaźnik kątowy   | 59. Śruba ustalająca przewodnika |
| 8. Otwór odprowadzania pyłu  | 60. Śruba przewodnika            |
| 9. Wskaźnik skali  | 61. Dolny wspornik przewodnika   |
| 10. Pokrętko regulacji kąta  | 62. Szczotka                     |
| 11. Skala  | 63. Podkładka                    |
| 12. Dźwignia blokująca stół  | 64. Wkręty                       |
| 13. Pokrętko blokujące   | 65. Opona                        |
| 14. Pokrętko regulacji przewodnika                                     |                                  |
| 15. Dźwignia naciągu taśmy   |                                  |
| 16. Płyta ścięgowa   |                                  |
| 17. Pokrętko regulacji toru  |                                  |
| 18. Przełącznik Wł-Wył   |                                  |
| 19. Stół piły  |                                  |
| 20. Panel przedni dolny  |                                  |
| 21. Panel przedni górny  |                                  |
| 22. Przewodnica  |                                  |
| 23. Przełącznik oświetlenia roboczego                                  |                                  |
| 24. Popychacz  |                                  |
| 25. Śrubokręt krzyżakowy (niedołączony)                                |                                  |
| 26. Klucz nastawny (niedołączony)                                      |                                  |
| 27. Mały kątomierz nastawny kombinowany z linią stalową (niedołączony) |                                  |
| 28. Klucz do śrub sześciokątnych , 3 mm                                |                                  |
| 29. Klucz do śrub sześciokątnych , 4 mm                                |                                  |
| 30. Klucz do śrub sześciokątnych , 5 mm                                |                                  |
| 31. Podkładka  |                                  |
| 32. Nakrętki kołpakowe   |                                  |
| 33. Podkładki  |                                  |
| 34. Stopki   |                                  |
| 35. Śruby blokujące  |                                  |
| 36. Nakrętki sześciokątne  |                                  |
| 37. Wydłużenie podpory   |                                  |
| 38. Otwory w podstawie piły  |                                  |
| 39. Nakrętka w kształcie litery D                                      |                                  |
| 40. Śruba motylkowa  |                                  |
| 41. Wspornik stołu piły  |                                  |
| 42. Zespół przewodnika   |                                  |
| 43. Śruba nastawcza  |                                  |
| 44. Zmniejszanie naciągu   |                                  |
| 45. Zwiększanie naciągu  |                                  |
| 46. Pokrętko blokujące   |                                  |
| 47. Szczelina wskaźnika kątowego                                       |                                  |
| 48. Śruby z gniazdem krzyżowym   |                                  |
| 49. Koło górne   |                                  |
| 50. Przewodniki dolne  |                                  |
| 51. Koło dolne   |                                  |
| 52. Odkręcenie uchwytu   |                                  |



## Polski (Tłumaczenie oryginalnej instrukcji)

Najwyższymi priorytetami w trakcie projektowania zakupionej przez Państwa piły taśmowej były bezpieczeństwo, wydajność i niezawodność.

### PRZEZNACZENIE

Piła taśmowa jest przeznaczona do cięcia w linii prostej, cięcia po krzywej i cięcia po kole drewna i wyrobów z drewna.

Produkt przeznaczony jest dla dorosłych operatorów, którzy zapoznali się z instrukcją obsługi oraz rozumieją źródła ryzyka i zagrożenia.

Piła może być używana w suchych warunkach, przy bardzo dobrym oświetleniu zewnętrznym i odpowiedniej wentylacji.

Produkt jest przeznaczony do zastosowań konsumenckich i powinien być używany wyłącznie zgodnie z wyżej podaną instrukcją; produkt nie jest przeznaczony do żadnego innego celu.

### OGÓLNE OSTRZEŻENIA DOTYCZĄCE BEZPIECZEŃSTWA

#### ⚠ OSTRZEŻENIE

Podczas używania jakichkolwiek urządzeń elektrycznych należy zachowywać podstawowe środki ostrożności. Pozwoli to uniknąć niebezpieczeństwa pożaru, porażenia prądem lub zranienia. Przed rozpoczęciem pracy zapoznać się ze wszystkimi instrukcjami i zachować je do późniejszego użytku.

- **Miejsce pracy utrzymywać w czystości.** Zagrażone miejsce pracy lub warsztat to częsta przyczyna zranień.
- **Oceniać warunki panujące w miejscu pracy.** Nie wolno wystawiać tego urządzenia na działanie deszczu. Nie wolno używać narzędzi w warunkach mokrych lub wilgotnych. Miejsce pracy musi być dobrze oświetlone. Nie używać narzędzi w obecności palnych płynów lub gazów.
- **Chronić się przed ryzykiem porażenia prądem elektrycznym.** Unikać kontaktu ciała z ziemią lub uzionymi powierzchniami (rury, instalacje grzewcze i chłodnicze).
- **Osoby postronne utrzymywać z dala od miejsca pracy.** Nie dopuszczać do miejsca pracy innych osób, szczególnie dzieci ani nie zezwalać na dotykanie narzędzia lub przedłużacza lub na wykonywanie prac za pomocą narzędzia.
- **Nie używane narzędzia należy odpowiednio przechowywać.** Nie używane narzędzia należy przechowywać w suchym, zamkniętym miejscu,

niedostępnym dla dzieci.

- **Nie używać siły podczas obsługi narzędzia.** Najlepsze efekty pracy, przy zachowaniu pełnego bezpieczeństwa, zapewni używanie tego narzędzia w zakresie parametrów znamionowych i stosownie do jego przeznaczenia.
- **Używać odpowiednich narzędzi.** Nie stosować niewielkich narzędzi do wykonywania prac odpowiednich dla narzędzi przystosowanych do pracy przy dużych obciążeniach. Nie wolno używać żadnych narzędzi do celów, do których nie są przeznaczone: np. pił tarczowych do odcinania gałęzi lub cięcia kłody drewna.
- **Należy zakładać odpowiednią odzież ochronną.** Nie wolno zakładać luźnej biżuterii ani ubrań - mogą zostać wciągnięte przez ruchome elementy urządzenia. Podczas pracy na zewnątrz zaleca się zakładać obuwie antypoślizgowe. Nosić ochronne zabezpieczenie włosów, aby spiąć i osłonić dłuższe włosy.
- **Stosować środki ochrony osobistej.** Zakładać okulary ochronne. Zastosuj maskę na twarz lub maskę przeciwpylową w przypadku wykonywania prac, podczas których powstaje dużo pyłu.
- **Stosować urządzenia wyciągowe.** Jeśli używane narzędzie posiada przyłącze do wyciągu i gromadzenia kurzu, należy go stosować.
- **Nie rozciągać nadmiernie przewodu.** Nie ciągnąć za przewód w celu wyjęcia wtyczki z gniazda sieciowego. Przewód zasilania trzymać z dala od źródeł ciepła, oleju i ostrych krawędzi.
- **Zabezpieczyć obrabiany przedmiot.** Obrabiany przedmiot zabezpieczyć w zacisku lub imadle, o ile to możliwe. Jest to bardziej bezpieczne niż używanie dłoni.
- **Nie sięgać zbyt daleko.** Należy cały czas pewnie opierać stopy i utrzymywać równowagę.
- **Narzędzia konserwować z zachowaniem ostrożności.** Utrzymywać narzędzia tnące w czystości i naostrzone, co umożliwi uzyskanie lepszej wydajności i większego bezpieczeństwa. Przestrzegać instrukcji smarowania i wymiany przystawek i akcesoriów. Systematycznie kontrolować stan przewodów zasilających, a w przypadku stwierdzenia ich uszkodzenia, niezwłocznie dokonać naprawy w autoryzowanym serwisie. Przedłużacze należy systematycznie kontrolować i wymieniać w przypadku uszkodzenia. Rękojeści utrzymywać w czystości, muszą być zawsze suche, wolne od oleju i smarów.
- **Odlączyć nieużywane narzędzia.** Gdy narzędzie nie jest używane, ma być serwisowane, przed zmianą przystawek lub akcesoriów, takich jak ostrza, noże, osłony itp., należy je odłączyć od zasilania.



## Polski (Tłumaczenie oryginalnej instrukcji)

- **Usunąć z miejsca pracy wszelkie klucze i narzędzia.** Konieczne jest wypracowanie nawyku sprawdzania, czy wszystkie narzędzia użyte do montażu akcesoriów lub regulacji, zostały usunięte przed rozpoczęciem pracy.
  - **Unikać możliwości przypadkowego uruchomienia urządzenia.** Przed podłączeniem urządzenia do prądu należy upewnić się, że wyłącznik jest w pozycji wyłączonej.
  - **Używać przedłużaczy przeznaczonych do użytku na zewnątrz pomieszczeń.** W przypadku używania urządzenia na zewnątrz, ewentualne przedłużacze muszą być do tego przystosowane i odpowiednio oznaczone.
  - **Zachować ostrożność i przytomność umysłu.** Obserwować wykonywane czynności, używać zdrowego rozsądku, nie używać narzędzia będąc w stanie zmęczenia.
  - **Kontrolować stan techniczny poszczególnych elementów.** Przed dalszym użyciem urządzenia należy je dokładnie sprawdzić, upewniając się, że działa prawidłowo i zgodnie z przeznaczeniem. Sprawdzić wyrównanie elementów ruchomych, sprawdzić, czy wirują/poruszają się swobodnie, sprawdzić czy nie ma jakichkolwiek uszkodzeń, czy montaż jest poprawny, należy uwzględnić wszystkie aspekty mające wpływ na bezpieczną pracę urządzenia. Uszkodzone elementy należy naprawić lub wymienić w autoryzowanym serwisie, o ile nie podano inaczej w tej instrukcji. Wymienić uszkodzone wyłączniki w autoryzowanym punkcie serwisowym. Nie wolno używać tego urządzenia, jeśli wyłącznik nie pracuje poprawnie.
  - **Ostrzeżenie.** Stosowanie jakichkolwiek przystawek, akcesoriów lub innych elementów, które nie zostały wymienione w tej instrukcji grozi wypadkiem.
  - **Narzędzia muszą być naprawiane przez wykwalifikowany personel.** Elektronarzędzie, którego dotyczy ta instrukcja, spełnia odpowiednie wymogi w zakresie bezpieczeństwa. Naprawy mogą być przeprowadzane wyłącznie przez wykwalifikowany personel, z użyciem oryginalnych części zamiennych, w przeciwnym wypadku może dojść do zagrożenia bezpieczeństwa użytkownika urządzenia.
- OSTRZEŻENIA DOTYCZĄCE BEZPIECZEŃSTWA UŻYTKOWANIA PIŁY TAŚMOWEJ**
- **Mocno przymocować lub przyśrubować piłę do stołu warsztatowego lub stojaka mniej więcej na wysokości bioder.**
  - **Nigdy nie używać produktu na podłodze.**
  - **Unikać wykonywania czynności nieporęcznych i ustawiania dłoni w miejscach, z których mogłyby się nagle ześliznąć w stronę tarczy tnącej.** Podczas pracy zachowywać stabilną pozycję.
  - **Przed rozpoczęciem cięcia poczekać, aż silnik osiągnie pełną prędkość; pozwoli to uniknąć zablokowania**
  - **Nie używać tego urządzenia, jeśli wyłącznik zasilania nie działa poprawnie.** Wymienić uszkodzone wyłączniki w autoryzowanym punkcie serwisowym.
  - **Części zamienne.** Wszystkie naprawy — elektryczne lub mechaniczne — powinny być wykonywane przez wykwalifikowanego technika serwisanta w autoryzowanym punkcie serwisowym.
  - **Do napraw używać wyłącznie identycznych zamienników.** Użycie jakiegokolwiek innej części mogłoby spowodować zagrożenie lub też uszkodzić wasze narzędzie.
  - **Dłonie trzymać z dala od obszaru cięcia.** Nie przytrzymywać ręką małych elementów, które mogą spowodować wsuniecie palców pod osłonę brzeszczota. Pod żadnym pozorem nie sięgać rękami lub palcami pod przecinany przedmiot ani w obszar linii cięcia.
  - **Nigdy nie ciąć więcej niż jednego obrabianego elementu ani nie układać większej liczby elementów na stole.**
  - **Nie podawać materiału zbyt szybko.** Nie wciskać obrabianego elementu siłą na brzeszczot.
  - **Stosować odpowiednie tarcze tnące.** Używać brzeszczota o wielkości odpowiednio dobranej do materiału i rodzaju cięcia. Żęby brzeszczota powinny być skierowane w dół, w stronę stołu.
  - **Podczas cięcia zawsze podierać duże obrabiane elementy, aby zminimalizować ryzyko ściśnięcia brzeszczota i odskoku.** Podczas cięcia dużych lub ciężkich płyt piła może się ślizgać, przemieszczać lub przesuwać.
  - **Nie usuwać zablokowanych odciętych elementów przed zatrzymaniem brzeszczota.**
  - **Nie używać brzeszczotów zdeformowanych lub uszkodzonych.**
  - **Wymieniać zużytą wkładkę stołu.**
  - **Podłączyć pilarkę do odpylacza w przypadku piłowania drewna.**
  - **Nie używać produktu, kiedy otwarta jest osłona brzeszczota piły.**
  - **Rodzaj brzeszczota i prędkość pracy należy dostosować do ciętego materiału.**
  - **Nie należy czyścić brzeszczota, kiedy jest w ruchu.**
  - **Pracując przy brzeszczocie lub z materiałami chropowatymi, nosić rękawice.**



## Polski (Tłumaczenie oryginalnej instrukcji)

- Podczas cięcia prostego niewielkich elementów z wykorzystaniem prowadnicy używać popychacza.
- Transportować produkt z osłoną brzeszczota całkowicie opuszczoną i ustawioną blisko stołu.
- Wykonując cięcie skośne przy przechylnym stole, umieścić prowadnicę na znajdującej się niżej stronie stołu.
- Tnąc okrągłe kawałki drewna lub elementy o nieregularnym kształcie, używać odpowiedniego narzędzia do przytrzymywania, aby uniknąć obrócenia obrabianego elementu.
- Nie używać osłon jako uchwytu do przenoszenia lub transportu.
- Ustawić regulowaną osłonę tak blisko obrabianego elementu, jak to możliwe.
- Podczas pracy nie wolno dotykać tarczy tnącej ani żadnego innego ruchomego elementu.
- Przed zmianą ustawienia i zdjęciem pokryw, osłon lub brzeszczota, wyjąć wtyczkę piły z gniazda zasilania.
- Zawsze mocno trzymać element obrabiany, dociskając go do stołu.
- Aby uniknąć przypadkowego kontaktu z brzeszczotem, zminimalizować uszkodzenia brzeszczota i zapewnić maksymalne oparcie brzeszczota, zawsze regulować zespół prowadnika tak, by znajdował się tuż przy obrabianym elemencie.
- Tarcze tnące należy utrzymywać w czystości, powinny być ostre i odpowiednio ustawione. Stosowanie ostrych tarcz tnących pozwala zminimalizować ryzyko zakleszczenia i odrzutu.
- Przed odłączeniem od źródła zasilania należy zawsze wyłączać urządzenie na wyłączniku, aby uniknąć przypadkowego uruchomienia po ponownym podłączeniu zasilania.
- Przed przystąpieniem do użytkowania maszyny należy upewnić się, że w miejscu pracy zapewniono odpowiednie oświetlenie, pozwalające dobrze widzieć wykonywane czynności i że nie znajdują się tam żadne przeszkody, które mogłyby zakłócić bezpieczną obsługę maszyny.
- Prowadniki zostały wstępnie ustawione w fabryce. Ustawienia te są odpowiednie do niektórych zastosowań. Zalecamy sprawdzenie i regulację ustawień prowadnika przed pierwszym użyciem piły. Patrz opis „Regulacja łożysk ustalających i wspornika prowadników” w części „REGULACJA” niniejszego podręcznika operatora.
- Nie używać tego narzędzia do cięcia metalu.
- Na urządzeniu powinny znajdować się następujące oznaczenia:
  - Stosować środki ochrony wzroku.
  - Trzymać dłonie z dala od tarczy.
  - Nie usuwać zablokowanych lub odciętych elementów przed zatrzymaniem brzeszczota.
  - Upewnić się, czy brzeszczot zainstalowano z zębami skierowanymi w dół.
  - Zapewnić odpowiednią regulację naciągu brzeszczota, położenia prowadników i łożysk ustalających.
  - Ustawić prowadnik górny tak, by znajdował się tuż przy obrabianym elemencie.
  - Podczas cięcia mocno przyciskać obrabiany element do stołu.
- Uszkodzony przewód sieciowy powinien zostać wymieniony przez autoryzowany punkt serwisowy, samodzielna wymiana zagraża bezpieczeństwu użytkownika.
- Zachować ten podręcznik. Należy do niego systematycznie powracać i używać go do przeszkolenia innych osób. Wypożyczając komuś narzędzie, należy dołączyć również ten podręcznik.

### ZASADY BEZPIECZEŃSTWA DOTYCZĄCE PRĄDU

#### PRZEDŁUŻACZE

Przedłużacze powinny być wyposażone w przewód trójżyłowy z wtyczką i gniazdem z uziemieniem, gniazdo musi pasować do wtyczki urządzenia. W przypadku używania tego urządzenia w znacznej odległości od gniazda sieciowego, należy zastosować przedłużacz o obciążalności dostosowanej do prądu pobieranego przez urządzenie. Zbyt mały przekrój przewodu zasilania spowoduje spadek napięcia, utratę mocy i przegrzewanie się silnika.

Przed użyciem przedłużacza sprawdzić, czy nie ma w nim poluzowanych lub odsłoniętych przewodów oraz czy izolacja nie uległa zużyciu lub nie została przecięta.

#### **⚠ OSTRZEŻENIE**

Przedłużacz należy odsunąć od miejsca pracy. Przewód należy poprowadzić tak, aby nie zaplątał się w żadne przedmioty lub narzędzia podczas pracy. Niezastosowanie się do tego wymogu może być przyczyną ciężkich obrażeń ciała.

## Polski (Tłumaczenie oryginalnej instrukcji)

### ⚠ OSTRZEŻENIE

Przed każdym użyciem należy skontrolować stan techniczny przedłużaczy. Uszkodzone należy niezwłocznie wymienić. Nie wolno używać urządzenia z uszkodzonym przewodem zasilania, dotknięcie uszkodzonego miejsca grozi porażeniem prądem i poważnymi obrażeniami.

### ZASILANIE PRĄDEM ELEKTRYCZNYM

Urządzenie jest wyposażone w precyzyjny silnik elektryczny. Urządzenie powinno być zasilane prądem przemiennym (AC) o napięciu 220~240 V, 50 Hz (typowe parametry domowych instalacji elektrycznych). Nie wolno podłączać urządzenia do źródła prądu stałego (DC). Znaczący spadek napięcia spowoduje utratę mocy i przegrzewanie się silnika. Jeśli urządzenie nie działa po podłączeniu do gniazda zasilania, należy ponownie sprawdzić parametry źródła zasilania.

### PRĘDKOŚĆ I PRZEWODY ZASILANIA

Prędkość produktu bez obciążenia wynosi około 11 m/s. Prędkość nie jest stała i spada pod obciążeniem lub w przypadku spadku napięcia. W przypadku napięcia instalacja elektryczna warsztatu jest równie ważna, jak znamionowa moc wejściowa silnika. Linia przeznaczona wyłącznie do zasilania oświetlenia może być nieodpowiednia do zasilania silnika elektronarzędzia. Przewód o obciążalności wystarczającej na krótszym odcinku, może okazać się zbyt słaby w przypadku większej odległości. Linia o obciążalności wystarczającej dla jednego elektronarzędzia może nie mieć obciążalności wystarczającej dla dwóch lub trzech narzędzi.

### SPOSÓB UZIEMIENIA

Urządzenie musi być uziemione. W przypadku usterki lub uszkodzenia urządzenia, uziemienie zapewni ścieżkę o najmniejszej rezystancji odprowadzającą prąd rzeźbicia do ziemi, zmniejszając ryzyko porażenia prądem. Urządzenie jest wyposażone w przewód trójżyłowy z wtyczką z uziemieniem. Wtyczka musi być podłączona do odpowiedniego gniazda sieciowego, które zostało poprawnie zamontowane i uziemione zgodnie ze wszystkimi obowiązującymi przepisami lokalnymi.

Nie wolno modyfikować konstrukcji wtyczki. Jeśli wtyczka nie pasuje do gniazda, należy wezwać elektryka w celu założenia właściwego gniazda. W przypadku uszkodzenia przewodu zasilania, należy go niezwłocznie wymienić.

### RYZYKO ZWIĄZANE Z UŻYTKOWANIEM

Nawet jeśli produkt jest używany zgodnie z zaleceniami, nadal nie jest możliwe wyeliminowanie określonych czynników ryzyka. Następujące zagrożenia mogą wystąpić podczas używania urządzenia i operator

powinien zwracać szczególną uwagę na poniższe punkty:

- Odrzut obrabianego elementu oraz części elementów na skutek nieprawidłowego ustawienia lub obsługi.
- Uszkodzenie układu oddechowego.  
**UWAGA:** Należy nosić maskę ochronną z filtrem odpowiednim do obrabianego materiału. Należy zapewnić odpowiednią wentylację miejsca pracy. Nie jeść, nie pić i nie palić w miejscu pracy.
- Uszkodzenie słuchu w przypadku braku odpowiednich środków ochrony słuchu.

### INFORMACJE O PRODUKCJI

Zobacz rysunek 1.

Aby bezpiecznie korzystać z urządzenia, należy w pełni zrozumieć informacje umieszczone na urządzeniu oraz w niniejszej instrukcji obsługi oraz posiadać niezbędną wiedzę na temat planowanej pracy do wykonania. Przed użyciem tego narzędzia należy zapoznać się z wszelkimi funkcjami oraz ich specyfiką w zakresie bezpieczeństwa.

### POKRĘTŁO REGULACJI KĄTA

Pozwala na przechylenie stołu do cięcia skośnego.

### OSŁONA TARCZY TNĄCEJ

Chroni operatora przed zetknięciem z brzeszczotem.

### POKRĘTŁO REGULACJI PROWADNIKA

Pokrętło regulacji prowadnika służy do przesuwania zespołu prowadników w górę i w dół w celu zapobieżenia wykręcaniu lub uszkodzeniu brzeszczota. Zawsze blokować zespół prowadników w położeniu docelowym przed włączeniem piły taśmowej.

### PROWADNIKI

Prowadniki górny i dolny pomagają chronić brzeszczot przed skręcaniem podczas pracy.

### OTWÓR ODPROWADZANIA PYŁU

Otwór odprowadzania pyłu (53 mm (2-1/8")) umożliwi cięcie bezpyłowe. Do otworu odprowadzania pyłu przyłączyć worek pyłowy (nie dostarczany z produktem) lub warsztatową instalację próżniową.

### ŚRUBA BLOKUJĄCA POKRYWY

Umożliwia otwarcie pokrywy przedniej w celu przeprowadzenia regulacji.

### WSKAŹNIK KĄTOWY

Wskaźnik umożliwia ustawienie drewna do cięcia poprzecznego. Łatwy do odczytania wskaźnik pokazuje dokładny kąt cięcia kąтового: 15°, 30°, 45° i 60°.



## Polski (Tłumaczenie oryginalnej instrukcji)

### DŹWIGNIA NACIĄGU BRZESZCZOTA RAPIDSET™

Steruje naciągiem brzeszczota podczas jego wymiany i regulacji mającej na celu dostosowanie do różnych zastosowań.

### TARCZA TNĄCA

Piła jest dostarczana ze standardowym brzeszczotem 6,35 mm (1/4").

### STÓŁ PIŁY Z PŁYTKĄ ŚCIEGOWĄ

Piła taśmowa jest wyposażona w stół z regulowanym nachyleniem. Płytkę ściegową zamontowaną fabrycznie w stole piły zapewnia luz brzeszczota.

### SKALA I WSKAŹNIK ZE SKALĄ

Skala i wskaźnik ze skalą pokazują kąt lub stopień nachylenia stołu piły do cięcia skośnego.

### DŹWIGNIA BLOKUJĄCA STÓŁ

Poluzowanie dźwigni blokady stołu umożliwia nachylenie stołu pod różnym kątem. Dociśnięcie dźwigni blokady stołu umożliwia zablokowanie stołu w położeniu docelowym.

### POKRĘTŁO REGULACJI TORU

Umożliwia dostosowanie centralnego ułożenia brzeszczota na kołach.

### WZIERNIK UŁOŻENIA BRZESZCZOTA

Wziernik przebiegu brzeszczota ułatwia regulację ułożenia brzeszczota.

### POPYCHACZ

Zawsze używać popychacza do podawania obrabianego elementu, do momentu jego całkowitego zsunęcia ze stołu.

### LISTA CZĘŚCI DOSTARCZANYCH LUZEM

Opis	Ilość
Podkładki	7
Dźwignia blokująca stół	1
Klucz do śrub sześciokątnych , 3 mm	1
Klucz do śrub sześciokątnych , 4 mm	1
Klucz do śrub sześciokątnych , 5 mm	1
Wskaźnik kątowy	1
Nakrętki kołpakowe	4
Stopki	4

Stół piły	1
Śruby blokujące	2
Nakrętki sześciokątne	2
Wspornik wysięgnika	1
Prowadnica	1
Popychacz	1
Podręcznik operatora	1

### MONTAŻ

#### ROZPAKOWYWANIE

Ten produkt wymaga montażu.

- Ostrożnie unieść produkt z kartonowego opakowania i umieścić na poziomej powierzchni roboczej.

#### **⚠ OSTRZEŻENIE**

Nie używać produktu, jeżeli w momencie jego rozpakowania którekolwiek części wymienione na wykazie części dostarczanych luzem są zamontowane. Części wymienione na tym wykazie nie są montowane przez producenta i wymagają zamontowania przez klienta. Używanie nieprawidłowo zmontowanego produktu może spowodować poważne obrażenia ciała.

- Dokładnie skontrolować narzędzie, aby upewnić się, czy podczas transportu nie uległo uszkodzeniu lub awarii. **UWAGA:** Piła jest wysyłana bez naciągania brzeszczota. Nie włączać piły przed odpowiednim ustawieniem naciągu brzeszczota.
- Nie wyrzucać opakowania przed dokładnym skontrolowaniem i pomyślnym uruchomieniem urządzenia.
- Jeżeli którekolwiek części są uszkodzone lub ich brakuje, należy zwrócić się po pomoc do centrum serwisowego.

#### **⚠ OSTRZEŻENIE**

Jeżeli którekolwiek części są uszkodzone lub ich brakuje, nie używać produktu do czasu ich wymiany lub uzupełnienia. Używanie produktu z uszkodzonymi częściami lub bez niektórych części może spowodować poważne obrażenia ciała.



## Polski (Tłumaczenie oryginalnej instrukcji)

### ⚠ OSTRZEŻENIE

Nie próbujcie modyfikować tego narzędzia czy też tworzyć akcesoriów, których zastosowanie z tym narzędziem nie jest zalecane. Dokonanie zmian konstrukcyjnych lub modyfikacji jest postępowaniem niezgodnym z przeznaczeniem i może być przyczyną zagrożenia bezpieczeństwa prowadzącego do poważnych obrażeń.

### ⚠ OSTRZEŻENIE

Nie podłączaj zasilania przed zakończeniem montażu. Niezastosowanie się do tych zaleceń może spowodować przypadkowe uruchomienie produktu i poważne obrażenia ciała.

### MONTAŻ PRODUKTU NA STOLE WARSZTATOWYM

Jeżeli produkt ma być używany w stałym miejscu, należy go przymocować do mocnej powierzchni nośnej, np. do stołu warsztatowego. W tym celu w podstawie piły zapewniono cztery otwory na śruby. Śruby (nie dostarczane z produktem) powinny mieć wystarczającą długość obejmującą grubość podstawy piły, podkładki zabezpieczającej (nie dostarczane z produktem), nakrętki sześciokątnej (nie dostarczane z produktem) i stołu warsztatowego. Dokreć mocno wszystkie cztery śruby.

Po zakończeniu montażu dokładnie sprawdź stół warsztatowy, upewniając się, że podczas używania narzędzia nie wystąpi żadne przemieszczenie. W razie zauważenia przechylenia, przesuwania lub przemieszczania stołu warsztatowego, przed użyciem narzędzia należy go przymocować do podłogi.

- Umieścić produkt na stole warsztatowym. Używając podstawy piły jako szablonu, zlokalizować i zaznaczyć otwory, w których produkt ma być przymocowany.
- Wywiercić otwory w stole warsztatowym.
- Umieścić piłę taśmową na stole warsztatowym, ustawiając otwory w podstawie piły równo z otworami wywierconymi w stole warsztatowym.
- Włożyć śruby (nie dostarczane z produktem) i mocno dokreć po nałożeniu podkładek zabezpieczających i nakrętek sześciokątnych (nie dostarczane z produktem).  
**UWAGA:** wszystkie śruby należy wkładać od góry. Zainstalować podkładki zabezpieczające i nakrętki sześciokątne od spodu stołu.

### MOCOWANIE PRODUKTU DO STOŁU WARSZTATOWEGO ZA POMOCĄ ZACISKÓW

Zobacz rysunek 4.

Jeżeli produkt ma być narzędziem przenośnym, zaleca się trwałe przymocowanie go do płyty montażowej, którą można łatwo przymocować zaciskami do stołu

warsztatowego lub innej powierzchni nośnej. Płyta montażowa powinna mieć wielkość pozwalającą uniknąć przechylenia piły podczas pracy. Zaleca się stosowanie dobrej jakości sklejki lub płyty wiórowej o grubości 19 mm (3/4").

Jeżeli używane są śruby do drewna, należy upewnić się, czy są wystarczająco długie, by przeszły przez otwory w podstawie piły i materiał, do którego jest przymocowywana. Jeżeli używane są śruby maszynowe, należy upewnić się, czy są wystarczająco długie, by przeszły przez otwory w podstawie piły, materiał, do którego jest przymocowywana, oraz podkładki zabezpieczające i nakrętki sześciokątne.

### UWAGA: MOŻE BYĆ KONIECZNE ZAGŁĘBIENIE NAKRĘTEK SZEŚCIOKĄTNYCH I PODKŁADEK W SPODNIEJ PŁASZCZYZNIE PŁYTY MONTAŻOWEJ.

- Przymocować piłę do płyty, używając podstawy piły jako szablonu do wykonania otworów w płycie. Zlokalizować i zaznaczyć otwory, w których piła taśmowa być przymocowana.
- Wykonać czynności opisane w ostatnich trzech punktach części „Montaż produktu na stole warsztatowym” powyżej.

### MONTAŻ STOŁU PIŁY

Zobacz rysunek 5, 7.

- Zdemontować nakrętkę D, podkładki i śrubę motylkową ze stołu piły.
- Stojąc na przedzie piły taśmowej, wsunąć stół od strony prawej do lewej, obok brzeszczota, przez szczelinę.
- Trzymając stół lewą ręką i odcinając pokrętło regulacji kąta od ramy piły, ustawić zęby wspornika stołu piły równo z zębami pokrętła regulacji kąta. Puścić pokrętło.
- Dopasować kołki ramy do nacięć wspornika stołu piły.
- Na gwintowany koniec dźwigni blokady stołu nałożyć podkładkę. Docisnąć stół piły do ramy piły, obracając dźwignię blokady stołu w kierunku obrotu wskazówek zegara.
- Zamontować na stole nakrętkę D, podkładki i śrubę motylkową.

**UWAGA:** Śruba motylkowa musi znaleźć się pod spodem stołu.

### MONTAŻ PRZEDŁUŻENIA PODSTAWY

Zobacz rysunek 6.

- Włożyć rurki przedłużenia podstawy w otwory w tylnej części podstawy piły.
- Dopasować otwory na rurkach i otwory na podstawie piły.
- Włożyć śruby blokujące i dokreć wraz z podkładkami i nakrętkami sześciokątnymi.



## Polski (Tłumaczenie oryginalnej instrukcji)

### USTAWIANIE STOŁU PIŁY POD KĄTEM PROSTYM DO BRZESZCZOTA

Zobacz rysunek 8 - 9.

- Obrócić pokrętko blokady przeciwnie do kierunku ruchu wskazówek zegara, aby odblokować zespół prowadników. Obracając pokrętko regulacji prowadników zgodnie z kierunkiem ruchu wskazówek zegara, unieść zespół prowadników możliwie najwyżej. Obrócić pokrętko blokady zgodnie z kierunkiem ruchu wskazówek zegara, aby ponownie zablokować.
- Umieścić mały kątomierz nastawny kombinowany z linią stalową na stole piły obok brzeszczota.
- Poluzować dźwignię blokady stołu i obrócić pokrętko regulacji kąta, aby przemieścić stół piły w górę lub w dół, ustawiając go pod kątem 90° względem brzeszczota (pozycja 0°). Dociągnąć dźwignię blokady stołu.
- Obrócić śrubę regulacji tak, by dotykała obudowy piły.
- Sprawdzić ustawienie stołu piły pod kątem prostym do brzeszczota. W razie potrzeby wyregulować.
- Nastawić wskaźnik skali na zero i dokręcić śrubę śrubokrętem krzyżakowym.

**UWAGA: przed rozpoczęciem właściwej pracy zawsze wykonywać cięcie próbne, aby upewnić się, czy stół jest ustawiony pod kątem prostym do brzeszczota.** Jeżeli nie ma kąta prostego, może być konieczne poluzowanie śrub pod stołem piły w celu regulacji położenia (szczelina kątowna musi być równoległa do brzeszczota piły). Po ustawieniu kąta prostego, dokręcić śruby.

### REGULACJA NACIĄGU BRZESZCZOTA

Zobacz rysunek 10 - 11.

- Wyłączyć produkt.
- Przed użyciem piły taśmowej należy naciągnąć brzeszczot za pomocą pokrętła znajdującego się na górze, obracając je zgodnie z kierunkiem ruchu wskazówek zegara.
- UWAGA: regulację naciągu brzeszczota można wykonać w dowolnym momencie.
- Obracając pokrętkiem naciągu brzeszczota, szarpać tylną, prostą krawędź brzeszczota jak strunę gitary.

W miarę zwiększania naciągu dźwięk staje się wyższy. Nie naciągaj brzeszczota tak mocno, by sprężyna była maksymalnie naprężona. Po maksymalnym naprężeniu sprężyna nie może już pełnić roli amortyzatora.

Zbyt duży naciąg może spowodować pęknięcie brzeszczota. Grubszy obrabiany element wymaga większego naciągu brzeszczota. Maksymalny naciąg nie jest potrzebny do każdego cięcia. Zbyt mały naciąg może spowodować ślizganie się brzeszczota na kołach.

### REGULACJA UŁOŻENIA BRZESZCZOTA

Zobacz rysunek 11.

Przed regulacją ułożenia brzeszczota należy odpowiednio ustawić jego naciąg. Sprawdź, czy prowadniki nie kolidują z brzeszczotem. Wrąb między zębami brzeszczota (najgłębsza część między zębami) powinien znajdować się na środku opony.

#### Regulacja:

Odłączyć zasilanie. Otworzyć pokrywę przednią, odkręcając śrubę blokującą. Wolno obracając ręką górne koło zgodnie z kierunkiem ruchu wskazówek zegara, obserwować ułożenie brzeszczota na oponie tego koła. Jeżeli brzeszczot nie jest ułożony na środku opony, należy przeprowadzić regulację ułożenia.

#### Jeżeli brzeszczot przesunął się w lewo lub w prawo od środka obręczy koła:

- Obracać pokrętkiem regulacji ułożenia brzeszczota (zgodnie z kierunkiem ruchu wskazówek zegara, jeżeli brzeszczot przesunął się w lewo; przeciwnie do kierunku ruchu wskazówek zegara, jeżeli przesunął się w prawo), jednocześnie ręką obracając koło do momentu, gdy brzeszczot przesunie się w odpowiednie położenie na środku opony.
- Sprawdzić ułożenie brzeszczota na oponie dolnego koła. Brzeszczot powinien całkowicie znajdować się na oponie koła (wrąb między zębami brzeszczota na środku obręczy). Jeżeli tak nie jest, regulować ułożenie, aż brzeszczot zostanie prawidłowo ułożony na oponach obu kół.
- Obrócić kilka razy ręcznie górne koło zgodnie z kierunkiem ruchu wskazówek zegara. Upewnić się, czy brzeszczot pozostaje w tym samym ułożeniu na oponach kół. W razie potrzeby wyregulować do uzyskania prawidłowego ułożenia brzeszczota.
- Zamknąć pokrywę przednie i dokręcić śrubę blokującą.
- Włączyć produkt.
- Sprawdzić, czy brzeszczot piły jest ułożony na środku opony koła (patrzac przez wzniern położenia brzeszczota). Jeżeli brzeszczot nie jest wyśrodkowany, powtórzyć opisane powyżej czynności.

### ⚠ OSTRZEŻENIE

Prowadniki zostały wstępnie ustawione w fabryce. Ustawienia te są odpowiednie do niektórych zastosowań. Zalecamy sprawdzenie i regulację ustawień prowadnika przed pierwszym użyciem piły. Patrz opis „Regulacja łożysk ustalających i wspornika prowadnika” w części „Regulacja” niniejszego podręcznika operatora.



## Polski (Tłumaczenie oryginalnej instrukcji)

### INSTALACJA PROWADNICZY

- Umieścić prowadnicę po lewej stronie stołu piły z uchwytem blokady z przodu.
- Wcisnąć uchwyt blokady, aby zablokować prowadnicę w odpowiednim położeniu.
- Obrócić uchwyt blokady, aby wyregulować moc zacisku.

### OBSŁUGA

#### ▲ OSTRZEŻENIE

Nawet po zaznajomieniu się z waszym narzędziem, bądźcie ostrożni. Należy pamiętać o tym, że nieostrożność trwająca ułamek sekundy może być powodem bardzo poważnych obrażeń.

#### ▲ OSTRZEŻENIE

Zawsze nosić okulary ochronne. W przeciwnym wypadku może dojść do uszkodzenia wzroku przez uderzenie obcym przedmiotem.

#### ▲ OSTRZEŻENIE

Nie wolno używać przystawek ani akcesoriów nie zalecanych przez producenta tego urządzenia. Stosowanie jakichkolwiek przystawek lub akcesoriów nie zalecanych przez producenta grozi poważnym zranieniem!

#### ▲ OSTRZEŻENIE

Aby uniknąć dotknięcia brzeszczota, wyregulować położenie zespołu prowadnika tak, by znajdował się tuż przy obrabianym elemencie. Niezastosowanie się do tego wymogu może być przyczyną ciężkich obrażeń ciała.

#### ▲ OSTRZEŻENIE

Nigdy nie używać produktu bez zamocowania osłony brzeszczota i zablokowania pokrywy przedniej. Może to stać się przyczyną poważnych obrażeń ciała.

### PODSTAWY OBSŁUGI PIŁY TAŚMOWEJ

Piła taśmowa służy głównie do cięcia po krzywej. Można jej również używać do cięcia po linii prostej, np. cięcia poprzecznego, kątowego, skośnego, złożonego i rozpiłowywania. Do cięcia po linii prostej użytkownik może zamontować prowadnicę w postaci odpowiedniej

wielkości kawałka drewna przymocowanego zaciskami śrubowymi do stołu. Piła nie może służyć do wykonywania nacięć wewnętrznych lub niepełnych.

Przed rozpoczęciem cięcia należy obserwować pracę produktu. Jeżeli widoczne są drgania lub słyszalny nienormalny hałas, należy natychmiast przerwać pracę. Wyłączyć produkt i wyjąć wtyczkę z gniazda zasilania. Nie uruchamiać ponownie przed zlokalizowaniem i wyeliminowaniem problemu.

### PROCEDURY CIĘCIA

- Zawsze mocno trzymać element obrabiany, dociskając go do stołu.
- Delikatnie naciskać obrabiany element obiema rękami, przesuwając go w kierunku brzeszczota.. Nie wciskać obrabianego elementu siłą na brzeszczot.
- Najmniejsza średnica wycinanego koła zależy od szerokości brzeszczota. Brzeszczot o szerokości 6,35 mm (1/4") pozwala na wycięcie koła o minimalnej średnicy 38 mm (1-1/2").
- Trzymać dłonie z dala od tarczy. Nie przytrzymywać ręką elementów tak małych, że mogą spowodować wsunięcie palców pod osłonę brzeszczota.
- Unikać skomplikowanych operacji i pozycji rąk, w których nagle ześlizgnięcie może spowodować poważny uraz wynikający z dotknięcia brzeszczota. Nigdy nie kłaść rąk na drodze brzeszczota.
- Do cięcia dużych, małych lub skomplikowanych elementów używać dodatkowych podpór (stołów, kosiół, bloków itp.).
- Człowiek nigdy nie powinien pełnić roli przedłużenia stołu lub dodatkowej podpory obrabianego elementu, który jest dłuższy lub szerszy niż podstawowy stół piły.
- Wykonując cięcie elementów o nieregularnym kształcie, zaplanować pracę tak, by nie wystąpiło zaciśnięcie brzeszczota. Na przykład element profilowy musi leżeć płasko na stole piły. Obrabiane elementy nie mogą się skręcać, kołysać lub ześlizgiwać podczas cięcia.

Podczas wycofywania obrabianego elementu brzeszczot może uwięznąć w nacięciu. Przyczyną są zwykle trociny tworzące zator w nacięciu lub wysunięcie brzeszczota z prowadników. W takim przypadku:

- Wyłączyć produkt. Poczekać na całkowite zatrzymanie piły. Odłączyć produkt od źródła zasilania.
- Otworzyć nacięcie za pomocą płaskiego śrubokręta lub drewnianego klina.
- Otworzyć pokrywę przednią i ręcznie obracać górne koło, wycofując obrabiany element.

### CIĘCIA RELIEFOWE

Cięcia reliefowe wykonuje się wtedy, gdy konieczne jest wykonanie cięcia po skomplikowanej krzywej (zbyt





## Polski (Tłumaczenie oryginalnej instrukcji)

małej w stosunku do promienia cięcia brzeszczota). Ciąć w części odpadowej obrabianego elementu po linii zakrzywienia do wewnątrz, następnie ostrożnie wycofać brzeszczot. W przypadku skomplikowanych krzywych należy wykonać kilka cięć reliefowych wzdłuż linii cięcia, po kawałku odcinając materiał po wewnętrznej stronie krzywej i tym samym zwalniając nacisk na brzeszczot.

### WYCINANIE LINII KRZYWYCH

W przypadku cięcia krzywoliniowego, ciąć wzdłuż linii wzoru, popychając i jednocześnie obracając obrabiany element. Kiedy obrabiany element jest cięty brzeszczotem, nie obracać go bez popychania — może uwięznąć lub spowodować skręcenie brzeszczota.

### USUWANIE ZABLOKOWANEGO MATERIAŁU

Nigdy nie usuwać zablokowanych odciętych elementów przed całkowitym zatrzymaniem brzeszczota.

- Wyłączyć produkt. Poczekać na całkowite zatrzymanie piły.
- Przed usunięciem zablokowanego materiału odłączyć produkt od źródła zasilania.

### UNIKANIE OBRAŹEŃ CIAŁA

- Upewnij się, czy piła jest ustawiona poziomo i nie kołysze się. Piła powinna zawsze znajdować się na mocnej, poziomej powierzchni, a wokół niej należy zapewnić dużo miejsca na przemieszczanie i odpowiednie podparcie obrabianego elementu.
- Przyśrubować piłę do powierzchni nośnej, aby uniknąć jej ześlizgnięcia i przemieszczania podczas cięcia długich, ciężkich płyt.
- Przed przemieszczeniem wyłączyć piłę i wyjąć z gniazda wtyczkę zasilania.
- Nie usuwać zablokowanych odciętych elementów przed całkowitym zatrzymaniem brzeszczota.
- Używać brzeszczota o wielkości odpowiednio dobranej do materiału i rodzaju planowanego cięcia.
- Upewnij się, czy zęby brzeszczota są skierowane w dół, w kierunku stołu, oraz czy położenie przewodników brzeszczota, łożysk ustalających i naciąg brzeszczota zostały prawidłowo ustawione, czy pokrętko przewodników brzeszczota jest dokręcone oraz czy żadna z części nie ma nadmiernego luzu.
- Aby uniknąć przypadkowego dotknięcia brzeszczota, zminimalizować uszkodzenie brzeszczota i zapewnić jego maksymalne oparcie, wyregulować położenie zespołu przewodnika tak, by znajdował się tuż przy obrabianym elemencie.
- Stosować wyłącznie akcesoria zalecane przez producenta.
- Przed włączeniem piły usunąć ze stołu wszystkie przedmioty z wyjątkiem obrabianego elementu i

urządzeń potrzebnych do jego podparcia.

- Odpowiednio podierać materiały okrągłe, takie jak pręty dybli lub rury, ponieważ mają tendencję do toczenia się podczas cięcia, co powoduje uwięźnięcie brzeszczota. Aby tego uniknąć, zawsze używać bloku w kształcie litery V lub zacisnąć obrabiany element na wskaźniku kątowym.
- Przed usunięciem luźnych elementów ze stołu piły, wyłączyć piłę i poczekać na zatrzymanie wszystkich ruchomych elementów.

### WŁĄCZANIE/WYŁĄCZANIE PRODUKTU

Zobacz rysunek 12.

- Nacisnąć „I”, aby wyłączyć produkt.
- Nacisnąć „O”, aby wyłączyć produkt.

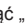
### PRZED POZOSTAWIENIEM PRODUKTU

Zobacz rysunek 12.

- Wyłączyć produkt. Poczekać na całkowite zatrzymanie piły.
- Odłączyć produkt od źródła zasilania.
- Zabezpieczyć produkt przed dziećmi.
- W celu wydłużenia żywotności brzeszczota zwolnić jego naciąg za pomocą dźwigni naciągu brzeszczota RapidSet™.
- Zamknąć warsztat na klucz.

### WŁĄCZANIE/WYŁĄCZANIE OŚWIETLENIA ROBOCZEGO

Zobacz rysunek 13.

- Nacisnąć „”, aby włączyć oświetlenie robocze.
- Nacisnąć „O”, aby wyłączyć oświetlenie robocze.

### PRZECHYLENIE STOŁU

Zobacz rysunek 14.

- Lekko poluzować pokrętko blokady stołu.
- Obrócić pokrętko regulacji kąta, przechylając stół do odpowiedniego położenia.
- Za pomocą wskaźnika ze skalą sprawdzić oznaczenia kąta.
- Dokręcić pokrętko blokady stołu, mocując stół w odpowiednim położeniu.

### KORZYSTANIE ZE WSKAŹNIKA KĄTOWEGO

Zobacz rysunek 15 - 16.

Wskaźnik kątowy można ustawić pod maksymalnym kątem 60° w prawo lub w lewo.

- Poluzować pokrętko blokady na wskaźniku kątowym.
- Obrócić umieszczony w szczelinie wskaźnik kątowy do uzyskania odpowiedniego kąta na skali.





## Polski (Tłumaczenie oryginalnej instrukcji)

- Dokręcić pokrętko blokady.

### KORZYSTANIE Z PROWADNICZY

Prowadnica służy do wszystkich operacji cięcia wzdluznego. Nigdy nie wykonywać cięcia wzdluznego ręcznie, bez zamontowanej i zablokowanej prowadnicy.

- Ustawić prowadnicę odpowiednio do planowanej szerokości i zablokować.
- Przed rozpoczęciem cięcia wzdluznego upewnić się, czy prowadnica jest ustawiona równolegle z brzeszczotem piły. Zawsze używać podpory do cięcia wzdluznego długich płyt lub paneli.
- Przytrzymać obrabiany element przy prowadnicy i przesuwać w stronę brzeszczota piły płynnym ruchem ze stałym naciskiem.

### REGULOWANIE

#### ▲ OSTRZEŻENIE

Przed wykonaniem jakiegokolwiek regulacji upewnić się, czy wtyczka narzędzia jest wyjęta z gniazda zasilania oraz czy przełącznik znajduje się w pozycji wyłączenia. Zignorowanie tego ostrzeżenia może spowodować poważne obrażenia ciała.

#### ▲ OSTRZEŻENIE

Aby uniknąć obrażeń ciała, utrzymywać odpowiednią regulację naciągu brzeszczota i jego ułożenia na kołach, położenia prowadników i łożysk ustalających.

### INSTALACJA I REGULACJA BRZESZCZOTA

Zobacz rysunek 17.

- Poluzować i zdemontować śrubę motylkową, podkładki i nakrętkę D ze stołu piły.
- Otworzyć pokrywy przednie, odkręcając śrubę blokującą.
- Obrócić pokrętko blokady przeciwnie do kierunku ruchu wskazówek zegara, aby odblokować zespół prowadników. Obracając pokrętko prowadnika (obrót zgodnie z kierunkiem ruchu wskazówek zegara powoduje uniesienie zespołu prowadnika, obrót przeciwnie do kierunku obrotu wskazówek zegara — obniżenie go), ustawić zespół prowadnika mniej więcej na środku między stołem piły a obudową piły. Dokręcić pokrętko blokady.
- Otworzyć osłonę brzeszczota, pociągając za jej lewą stronę i odciągając ją od koła.
- Zwolnić całkowicie naciąg brzeszczota.

- Ostrożnie zdemontować stary brzeszczot.
- W rękawicach ostrożnie odwinąć nowy brzeszczot na długość ramienia. Jeżeli brzeszczot był zabezpieczony olejem przed korozją, może wymagać wytarcia, aby olej nie został przeniesiony na obrabiane elementy. Ostrożnie wytrzeć w kierunku, w jakim skierowane są zęby brzeszczota, aby szmatka nie zahaczyła o nie.

**UWAGA:** Jeżeli zęby skierowane są w nieprawidłową stronę, może być konieczne odwrócenie brzeszczota. Chwycić brzeszczot obiema rękoma i przekrócić go do wewnątrz.

- Brzeszczot — z zębami skierowanymi w dół i na lewą stronę piły — przełożyć przez dolne prowadniki i wokół obu kół.
- Powoli ręcznie obrócić górne koło w prawo (zgodnie z kierunkiem ruchu wskazówek zegara), aby brzeszczot został ułożony centralnie na gumowych oponach kół.
- Ponownie naciągnąć brzeszczot za pomocą dźwigni naciągu brzeszczota RapidSet™, a następnie wyregulować naciąg brzeszczot i sprawdzić lub wyregulować ułożenie brzeszczota na kołach.
- Wyregulować górne i dolne prowadniki i łożyska ustalające, jak opisano w dalszej części niniejszego podręcznika operatora.
- Ponownie założyć śrubę motylkową, podkładki i nakrętkę D. Mocno dokręcić.
- Zamknąć osłonę brzeszczota i pokrywę przednią. Dokręcić śrubę blokującą pokrywę.

### REGULACJA ZESPOŁU PROWADNIKÓW

Zobacz rysunek 18 - 19.

Aby zapobiec skrzywieniu lub zerwaniu brzeszczota, zespół prowadników powinien zawsze znajdować się ok. 3,2 mm (1/8") nad obrabianym elementem.

- Obrócić pokrętko blokady przeciwnie do kierunku ruchu wskazówek zegara, aby odblokować zespół prowadników.
- Jako wzorca do ustawienia wysokości zespołu prowadników użyć niepotrzebnego kawałka drewna, które ma być obrabiane. Wyregulować zespół prowadników, obracając pokrętko prowadnika.
- Zablokować zespół prowadników w położeniu docelowym, obracając pokrętko blokady zgodnie z kierunkiem ruchu wskazówek zegara.
- Zawsze blokować zespół prowadników w położeniu docelowym przed włączeniem piły taśmowej.

### REGULACJA WSPORNIKA PROWADNIKA I ŁOŻYSK USTALAJĄCYCH

Zobacz rysunek 20 - 21.

**UWAGA:** Przed przeprowadzeniem regulacji dokręcić pokrętko blokady i postępować zgodnie z zaleceniami





## Polski (Tłumaczenie oryginalnej instrukcji)

w opisie „Regulacja naciągu brzeszczota” i „Regulacja ułożenia brzeszczota” w części „REGULACJA” niniejszego podręcznika operatora.

Górne i dolne łożysko ustalające brzeszczota i prowadniki prowadzą brzeszczot podczas cięcia. Regulację łożysk i prowadników należy sprawdzać po każdorazowej innej brzeszczota.

### Regulacja łożysk ustalających:

Łożyska ustalające stanowią oparcie dla tylnej krawędzi brzeszczota podczas cięcia. Brzeszczot nie powinien stykać się z łożyskami ustalającymi po przerwaniu cięcia. Istotne jest, by górne i dolne łożysko ustalające były ustawione tak samo.

- Otworzyć pokrywę przednie i osłonę brzeszczota.
- Za pomocą klucza sześciokątnego poluzować górne i dolne łożysko ustalające i popchnąć je w kierunku tylnej części piły.
- Sprawdzić, czy brzeszczot jest prawidłowo ułożony na kołach, następnie przesunąć łożysko ustalające do przodu, aż nie znajdzie się w odległości 0,4 mm (1/64") od brzeszczota. Dokręcić mocno śrubę łożyska ustalającego.
- Przesunąć dolne łożysko do przodu, do momentu uzyskania odpowiedniego odstępu. Dokręcić mocno śrubę łożyska ustalającego.

### Regulacja wspornika prowadnika:

- Poluzować śruby ustalające wspornika prowadnika i prowadnika za pomocą klucza sześciokątnego.
- Przesunąć górny wspornik prowadników na wale tak, by przednia krawędź prowadników stykała się z brzeszczotem za wrębem między zębami. Dobrze dokręcić śrubę.
- Popchnąć prawy prowadnik tak, by zetknął się z brzeszczotem i puścić. Powoli wykonać jeden pełny obrót kołem. Dokręcić śruby ustalające prowadnika.
- Wsuwając kartę do gry między lewy prowadnik a brzeszczot, wyregulować lewy prowadnik, pozostawiając odstęp 0,4 mm (1/64") między brzeszczotem a prowadnikiem (grubość karty do gry).
- Nacisnąć na kołek lewego prowadnika, aby utrzymać kartę w miejscu. Dokręcić śrubę ustalającą i usunąć kartę.
- Wykonać ręcznie trzy pełne obroty kołem, aby upewnić się, czy brzeszczot nie uwięźnie.
- Zamknąć osłonę brzeszczota i pokrywę przednią. Zablokować śrubą.

Powtórzyć tę procedurę dla dolnego wspornika prowadników.

### REGULACJA PROWADNICZY

- Poluzować uchwyt blokady, obracając go przeciwnie do kierunku ruchu wskazówek zegara.
- Przesunąć prowadnicę do odpowiedniego położenia.
- Wcisnąć uchwyt blokady, aby zablokować prowadnicę w odpowiednim położeniu.
- Obrócić uchwyt blokady, aby wyregulować moc zacisku.

### KONSERWACJA

#### **▲ OSTRZEŻENIE**

Do napraw używać wyłącznie identycznych zamienników. Użycie jakiegokolwiek innej części mogłoby spowodować zagrożenie lub też uszkodzić wasze narzędzie.

#### **▲ OSTRZEŻENIE**

Podczas obsługi produktu zawsze nosić ochronę oczu. Jeśli wykonywanej pracy towarzyszy powstawanie pyłu, należy również stosować maskę przeciwpyłową.

#### **▲ OSTRZEŻENIE**

Przed wykonaniem jakiegokolwiek konserwacji upewnić się, czy wtyczka narzędzia jest wyjęta z gniazda zasilania oraz czy przelącznik znajduje się w pozycji wyłączenia. Zignorowanie tego ostrzeżenia może spowodować poważne obrażenia ciała.

### OGÓLNE CZYNNOŚCI KONSERWACYJNE

Nie stosować rozpuszczalników do czyszczenia elementów plastikowych. Większość plastików jest wrażliwa na rozmaite rozpuszczalniki dostępne w handlu i może ulec uszkodzeniu przez ich stosowanie. Używajcie czystej szmatki do usunięcia zabrudzeń, pyłu, oleju, smaru, itd.

#### **▲ OSTRZEŻENIE**

Nie wolno dopuścić do kontaktu plastikowych części z płynem hamulcowym, benzyną, produktami ropopochodnymi, olejami penetrującymi itp. Te produkty chemiczne zawierają substancje, które mogłyby uszkodzić, osłabić lub zniszczyć plastik, co mogłoby spowodować poważne zranienie.

- Utrzymywać produkt w czystości.
- Często usuwać trociny z wnętrza.





## Polski (Tłumaczenie oryginalnej instrukcji)

- Nie dopuścić, by na stole piły, przewodnikach lub łożyskach ustalających zbierała się smoła. Czyścić te elementy żywicą i środkiem do usuwania smoły.
- Nałożyć cienką warstwę wosku samochodowego na górną powierzchnię stołu piły, aby drewno łatwo się przesuwało podczas cięcia.

### Smarowanie

Wszystkie łożyska urządzenia zostały nasmarowane odpowiednią ilością smaru o wysokiej jakości, który powinien zapewnić odpowiednie smarowanie tych części przez cały okres żywotności urządzenia. W wyniku czego, nie zachodzi potrzeba dodatkowego smarowania.

### OPONY KÓŁ

#### Czyszczenie opon kół:

- Na oponach kół zbierają się smoła i trociny. Należy je usuwać za pomocą drucianej szczotki lub kawałka drewna. **Nie używać ostrego noża ani rozpuszczalnika.**

#### Wymiana opon kół:

- Otworzyć pokrywę przednią i zdemontować brzeszczot piły. Patrz opis „Instalacja i regulacja brzeszczota”.
- Ostrożnie podważyć zużyłą oponę i zdjąć ją z koła.
- Rozciągnąć nową oponę wokół koła.
- Ponownie założyć brzeszczot i zamknąć pokrywę przednią.

### SZCZOTKA

Zobacz rysunek 22.

Wewnątrz piły, obok koła znajduje się szczotka. Pomaga ona chronić oponę i koło przez oczyszczanie z trocin. Kiedy szczotka się zużyje, należy ją wyregulować albo wymienić.

- Zdemonstrować śrubę i podkładkę, a następnie zdjąć szczotkę.
- Umieścić nową szczotkę w rowku.
- Zamocować, używając podkładki i śruby.

### TRANSPORT I PRZECHOWYWANIE

Zobacz rysunek 23 - 24.

- Przed transportem produktu odłączyć przewód zasilający, obniżyć osłonę brzeszczota i zdemontować produkt. Popychacz przechowywać na boku obudowy górnej. Podnosić produkt, trzymając za obudowę górną, jak pokazano na rysunku. Produkt należy przechowywać w bezpiecznym miejscu, które jest niedostępne dla dzieci.
- Przed schowaniem produktu należy wyczyścić go za

pomocą szczotki lub odkurzacza.

### OCHRONA ŚRODOWISKA



Surowce należy oddawać do powtórnego przetworzenia zamiast wyrzucać je na śmieci. Z myślą o ochronie środowiska, narzędzie, akcesoria i opakowania powinny być sortowane.

### SYMBOL



Uwaga dotycząca bezpieczeństwa



Zgodność CE



Przed uruchomieniem produktu należy dokładnie przeczytać te instrukcje.



Stosować środki ochrony wzroku



Stosować środki ochrony słuchu



**NIEBEZPIECZEŃSTWO!** Tarcza tnąca powinna być ostra.



Blokada



Odkręcenie uchwytu



Maksymalna głębokość cięcia



Maksymalna szerokość cięcia



Maksymalny kąt cięcia



**Polski (Tłumaczenie oryginalnej instrukcji)**



Prędkość robocza



Rozmiar brzościotu



Przed rozpoczęciem prac konserwacyjnych należy odłączyć narzędzie od zasilania.



Zużyte produkty elektryczne nie powinny być utylizowane z odpadami domowymi. Prosimy poddawać recyklingowi w odpowiednich miejscach. Informacje o właściwych metodach recyklingu można uzyskać u władz lokalnych lub sprzedawcy.



## Polski (Tłumaczenie oryginalnej instrukcji)

### ROZWIĄZYWANIE PROBLEMÓW

Problem	Prawdopodobna przyczyna	Rozwiązanie
Nie pracuje silnik	<ol style="list-style-type: none"> <li>1. Problem z wyłącznikiem lub przewodem zasilania.</li> <li>2. Awaria silnika.</li> <li>3. Brzeszczot blokuje się.</li> </ol>	<ol style="list-style-type: none"> <li>1. Przed ponownym użyciu produktu wymienić zużyte części.</li> <li>2. Nie podejmować prób naprawy. Narzędzia muszą być naprawiane przez wykwalifikowany personel.</li> <li>3. Usunąć zablokowany materiał.</li> </ol>
Brzeszczot nie przesuwają się pośrodku obręczy górnego koła.	<ol style="list-style-type: none"> <li>1. Brzeszczot nie jest prawidłowo ułożony na kołach.</li> </ol>	<ol style="list-style-type: none"> <li>1. Wyregulować ułożenie brzeszczota. Patrz rozdział „Regulacja” — „Regulacja ułożenia brzeszczota”.</li> <li>2. W przypadku wystąpienia uszkodzenia należy przekazać do naprawy wykwalifikowanemu technikowi.</li> </ol>
Piła taśmowa zwalnia podczas cięcia.	<ol style="list-style-type: none"> <li>1. Piła wycina koło o zbyt małym promieniu.</li> <li>2. Tępy brzeszczot.</li> </ol>	<ol style="list-style-type: none"> <li>1. Zaprześcić podawania i wycofać nieco materiał, aż piła taśmowa nabierze prędkości.</li> <li>2. Wymienić brzeszczot.</li> </ol>
Brzeszczot zrywa się.	<ol style="list-style-type: none"> <li>1. Zbyt duży naciąg brzeszczota.</li> <li>2. Zagięcie brzeszczota spowodowane wycinaniem ze zbyt małym promieniem lub zbyt szybkim przekręcaniem materiału podczas cięcia.</li> <li>3. Łożysko ustalające jest zarysowane lub nie obraca się.</li> </ol>	<ol style="list-style-type: none"> <li>1. Wyregulować naciąg. Patrz rozdział „Regulacja” — „Regulacja naciągu brzeszczota”.</li> <li>2. Stosować prawidłową technikę cięcia. Patrz rozdział „Obsługa”.</li> <li>3. Wymienić łożyska ustalające.</li> </ol>
Produkt hałasuje podczas pracy.	<ol style="list-style-type: none"> <li>1. Zbyt duży naciąg brzeszczota.</li> <li>2. Prowadniki i łożyska stykają się z brzeszczotem.</li> </ol>	<ol style="list-style-type: none"> <li>1. Wyregulować naciąg. Patrz rozdział „Regulacja” — „Regulacja naciągu brzeszczota”.</li> <li>2. Wyregulować dolne i górne prowadniki i łożyska. Patrz rozdział „Regulacja” — „Regulacja łożysk ustalających i wspornika prowadników”.</li> </ol>
Brzeszczot nie tnije prosto.	<ol style="list-style-type: none"> <li>1. Nieprawidłowo ustawione prowadniki i łożyska.</li> <li>2. Zużyty lub wadliwy brzeszczot.</li> </ol>	<ol style="list-style-type: none"> <li>1. Wyregulować dolne i górne prowadniki i łożyska. Patrz rozdział „Regulacja” — „Regulacja łożysk ustalających i wspornika prowadników”.</li> <li>2. Wymienić brzeszczot.</li> </ol>
Prowadniki nie pozostają w ustawionym położeniu.	<ol style="list-style-type: none"> <li>1. Poluzowały się śruby prowadnika.</li> </ol>	<ol style="list-style-type: none"> <li>1. Dobrze dokręcić śruby ustalające prowadnika.</li> </ol>
Silnik pracuje, ale brzeszczot się nie porusza.	<ol style="list-style-type: none"> <li>1. Nieprawidłowo ustawiony naciąg.</li> <li>2. Uszkodzony pas napędowy.</li> </ol>	<ol style="list-style-type: none"> <li>1. Ustawić naciąg za pomocą dźwigni naciągu brzeszczota.</li> <li>2. W przypadku wystąpienia uszkodzenia należy przekazać do naprawy wykwalifikowanemu technikowi.</li> </ol>







## Čeština (Překlad z originálních pokynů)

### POPIS

- |   |                                   |
|---|-----------------------------------|
| 1. Utahovací hlavice                            | 53. Zamknuto                      |
| 2. Zajišťovací šroub krytu                      | 54. Axiální ložisko               |
| 3. Sledovací okénko                             | 55. Šroub axiálního ložiska       |
| 4. Pracovní lampa                               | 56. Šroub podpěry vodítka pásu    |
| 5. Kryt kotouče                                 | 57. Podpěra horního vodítka pásu  |
| 6. Pilový kotouč                                | 58. Vodítko pásu                  |
| 7. Úhlový doraz                                 | 59. Šroub sady vodítek pásu       |
| 8. Trubice na odsávání prachu                   | 60. Šroub vodítka pásu            |
| 9. Ukazatel                                     | 61. Podpěra spodního vodítka pásu |
| 10. Hlavice pro nastavení úhlu                  | 62. Kartáč                        |
| 11. Stupnice                                    | 63. Podložka                      |
| 12. Zajišťovací páčka stolu                     | 64. Šrouby                        |
| 13. Zajišťovací hlavice                         | 65. Obložení kola                 |
| 14. Hlavice pro seřízení vodítka pásu           |                                   |
| 15. Utahovací páčka                             |                                   |
| 16. Vložka stolu                                |                                   |
| 17. Knoflík pro přesný běh pásu                 |                                   |
| 18. Spínač On/Off (Zapnuto/Vypnuto)             |                                   |
| 19. Pracovní stůl pily                          |                                   |
| 20. Přední spodní panel                         |                                   |
| 21. Přední horní panel                          |                                   |
| 22. Boční doraz                                 |                                   |
| 23. Vypínač pracovní lampy                      |                                   |
| 24. Vytahovací tyčká                            |                                   |
| 25. Křížový šroubovák (nepřibalen)              |                                   |
| 26. Seřizovací klíč (nepřibalen)                |                                   |
| 27. Malý příložný úhelník (nepřibalen)          |                                   |
| 28. Klíč pro šestihranné šrouby a matice , 3 mm |                                   |
| 29. Klíč pro šestihranné šrouby a matice , 4 mm |                                   |
| 30. Klíč pro šestihranné šrouby a matice , 5 mm |                                   |
| 31. Podložka                                    |                                   |
| 32. Uzavřené matice                             |                                   |
| 33. Podložky                                    |                                   |
| 34. Nohy  |                                   |
| 35. Zajišťovací šrouby                          |                                   |
| 36. Šestihranné matice                          |                                   |
| 37. Vysouvací podpěra                           |                                   |
| 38. Otvory v podstavci pily                     |                                   |
| 39. D-šroub                                     |                                   |
| 40. Křídlový šroub                              |                                   |
| 41. Držák stolu pily                            |                                   |
| 42. Vodítko pilového pásu                       |                                   |
| 43. Seřizovací matice                           |                                   |
| 44. Snížení napětí                              |                                   |
| 45. Zvýšení napětí                              |                                   |
| 46. Zajišťovací hlavice                         |                                   |
| 47. Otvor pro úhlový doraz                      |                                   |
| 48. Křížové šrouby                              |                                   |
| 49. Horní kolo                                  |                                   |
| 50. Spodní vodítka pásu                         |                                   |
| 51. Spodní kolo                                 |                                   |
| 52. Odemknuto                                   |                                   |





## Čeština (Překlad z originálních pokynů)

Při konstrukci této pásové pily hrály hlavní roli bezpečnost, výkon a spolehlivost.

### ZAMÝŠLENÉ POUŽITÍ

Pásová pila je určena pro řezání dřeva a dřevěných výrobků v kolmých i úhlových řezech.

Výrobek je určen k používání dospělými osobami, které četly návod k použití a chápou riziko a nebezpečí s ním spojená.

Pila se musí používat v suchých podmínkách, s vynikajícím okolním osvětlením a dostatečným větráním.

Produkt je určen pro spotřebitelské využití a měl by být používán pouze, jak je popsáno výše a nikoli k žádnému jinému účelu.

### VŠEOBECNÁ BEZPEČNOSTNÍ VAROVÁNÍ

#### VAROVÁNÍ

Pokud používáte elektrické nástroje, měly by být dodržovány základní bezpečnostní předpisy za účelem snížení nebezpečí požáru, elektrického úrazu a osobní újmy. Dříve než výrobek poprvé použijete, důkladně si přečtěte tyto pokyny a poté je uschovejte.

- **Udržujte pracoviště čisté.** Zaházené oblasti a ponky vedou k poraněním.
- **Berte ohled na pracovní oblast.** Chraňte nástroje před deštěm. Nástroj nepoužívejte ve vlhkých ani mokřích prostředích. Mějte pracoviště dobře osvětleno. Nepoužívejte nástroje v přítomnosti hořlavých kapalin nebo plynů.
- **Chraňte se před zásahem elektrickým proudem.** Předcházejte tělesnému kontaktu s uzemněnými nebo zemněnými povrchy (například trubky, radiátory, sporáky, lednice).
- **Udržujte ostatní přihlížející v povzdálí.** Nenechte osoby, obzvláště děti, aby se zapojovaly do práce, dotýkat se nástroje nebo prodlužovacího kabelu a udržujte je mimo pracovní oblast.
- **Ukládejte nevyužívané nástroje.** Nástroj vždy po použití skladujte na suchém místě a mimo dosah dětí.
- **Nepoužívejte nadměrnou sílu na nástroj.** Nástroj bude svou práci provádět lépe a bezpečněji při určeném přísunu materiálu, pro který byl navržen.
- **Používejte správný nástroj.** Nepoužívejte nadměrnou sílu na malé nástroje, abyste vykonali práci jako se silnějším nástrojem. Nepoužívejte nástroj pro práce, pro které není určen, například nepoužívejte rotační pilu pro řezání větví stromu nebo kmenů.

- **Správně se oblékejte.** Nenoste volné oblečení nebo šperky, mohou se zachytit do pohyblivých částí přístroje. Noste neklouzavou obuv, která je doporučena pro venkovní práce. Máte-li dlouhé vlasy, noste pokrývku hlavy.
- **Používejte ochrannou výbavu.** Používejte bezpečnostní brýle. Při práci používejte obličejový štít nebo protiprašný respirátor, pokud při práci vzniká prach.
- **Připojte příslušenství pro odsávání prachu.** Pokud je nástroj vybaven přípojkou pro odsávání prachu a sběrným zařízením, ujistěte se, že jsou zařízení správně připojena k nástroji, a že se správně používají.
- **Nepoškozte napájecí kabel.** Nikdy nevytrhávejte kabel ze zásuvky. Udržujte kabel mimo horké plochy, olej a ostré hrany.
- **Bezpečná práce.** Používejte svorky nebo svěrák pro přidržení obrobku. Je to bezpečnější než použití vašich rukou.
- **Nepřeceňujte se.** Udržujte řádné postavení a rovnováhu po celou dobu práce.
- **Přístroje pečlivě udržujte.** Řezací nástroje udržujte ostré a čisté, abyste dosáhli lepšího a bezpečnějšího výkonu. Postupujte dle pokynů pro mazání a výměnu příslušenství. Pravidelně kontrolujte kabely přístroje, a pokud jsou poškozeny, nechte je vyměnit v autorizovaném servisu. Pravidelně prohlížejte napájecí kabel a vyměňujte jej, pokud je poškozený. Udržujte rukojeti suché, čisté a bez mastnot a oleje.
- **Odpojte nástroje.** Před servisem, při nepoužívání nebo při výměně příslušenství, jako kotoučů, nástrojů, nožů, se musí nástroje odpojovat ze sítě.
- **Odstraňte seřizovací klíče a nástroje.** Zvykněte si, abyste vždy pohledem zkontrolovali, zda jsou z přístroje před jeho zapnutím odstraněny všechny klíče a seřizovací klíče.
- **Zabraňte náhodnému spuštění.** Zkontrolujte, zda je před zapojením do zásuvky spínač napájení v poloze „off“ (vypnuto).
- **Používejte prodlužovací kabely pro venkovní prostředí.** Pokud používáte nástroje venku, používejte správné prodlužovací kabely určené pro použití venku a také tak označené.
- **Budte ve střehu.** Budte ve střehu, hlídejte, co děláte a používejte zdravý rozum a neprovodujte nástroj, pokud jste unaveni.
- **Zkontrolujte, zda nejsou nějaké díly poškozeny.** Před dalším použitím přístroje je potřeba jej pozorně zkontrolovat, abyste určili, zda bude správně fungovat a vykonávat činnost, na kterou je určen. Zkontrolujte seřízení pohyblivých částí, spojený pohyblivých částí, rozbité části upevňovačů a další jiné podmínky, které mohou ovlivnit chod nástroje. Kryt nebo jiný díl, který





## Čeština (Překlad z originálních pokynů)

se poškodí, je potřeba správně opravit nebo vyměnit v autorizované servisní opravě, pokud to není určeno jinak v tomto návodu k obsluze. Poškozené spínače smí vyměnit pouze pověřené servisní středisko. Nástroj nepoužívejte, pokud přepínač nezapíná nebo nevyplíná.

- **Varování.** Používání jiného než v této příručce doporučeného příslušenství nebo doplňků může vést k poranění osob.
- **Nástroj nechávejte opravit u kvalifikované osoby.** Tento elektrický nástroj je v souladu s příslušnými bezpečnostními předpisy. Je potřeba, aby opravy vykonávali jen kvalifikované osoby pomocí originálních náhradních dílů, nedodržení pokynu může způsobit značné ohrožení uživatele.

### BEZPEČNOSTNÍ VAROVÁNÍ K PÁSOVÉ PILE

- **Pevně sevřete nebo přišroubujte pilu k pracovnímu stolu nebo stojanu přibližně ve výšce kyčlí.**
- **Nikdy výrobek nepoužívejte na zemi.**
- **Vyhýbejte se nesprávné obsluze a pozicím rukou, kde mohou náhle sklouznout a vniknout do nože.** Vždy se ubezpečte, že máte dobrou rovnováhu.
- **Než začnete řezat, motor se musí rozjet na plné obrátky, aby nedošlo ke svázání nebo zastavení.**
- **Nepoužívejte nástroj, pokud nelze zapnout a vypnout spínač napájení.** Poškozené spínače smí vyměnit pouze pověřené servisní středisko.
- **Náhradní díly.** Veškeré opravy, elektrické i mechanické, musí provádět kvalifikovaný technik v autorizovaném servisním centru.
- **Při údržbě používejte pouze stejné náhradní díly.** Použití jakýchkoliv jiných dílů může vytvořit nebezpečí nebo způsobit poškození výrobku.
- **Ruce udržujte mimo oblast řezání.** Nepřidržíte rukama kusy, které jsou tak malé, že byste měli prsty pod krytem pilového pásu. Nedotýkejte se spodní části obrobku nebo řezací dráhy kotouče svými rukama a prsty.
- **Nikdy neřežte více než jeden kus současně ani neskládejte více než jeden obrobek na stůl pily.**
- **Materiál nepodávejte příliš rychle.** Netlačte obrobek silou na pás.
- **Použijte pouze správné kotouče.** Používejte správnou velikost a styl pásu pro daný materiál a typ řezu. Ozubená část pásu by měla směřovat dolů směrem ke stolu.
- **K řezání velkých obrobků vždy použijte podpěru, abyste minimalizovali riziko přiskřípnutí nebo zpětného vrhu.** Při řezání velkých nebo těžkých prken může pila spadnout, posunout se nebo sklouznout.

- **Nikdy zaseknuté odřezky neodstraňujte, dokud se pás pily nezastaví.**
- **Nepoužívejte poškozené nebo deformované pilové pásy.**
- **Vyměňte opotřebovanou stolní vložku.**
- **Připojte pilu ke sběrači prachu, když řežete dřevo.**
- **Výrobek nepoužívejte, pokud je kryt chránič pilový pás otevřený.**
- **Volte pilový pás a rychlost v závislosti na řezaném materiálu.**
- **Nečistěte pilový pás, pokud se pohybuje.**
- **Při zacházení s pilovým pásem a drsným materiálem noste ochranné rukavice.**
- **Při přímočarém řezání malých obrobků pomocí dorazu používejte posuvnou tyč.**
- **Výrobek převážejte se sklopeným krytem pásu a blízko ke stolu.**
- **Při šikmém řezání s nakloněným stolem umístěte doraz na níže položenou stranu stolu.**
- **Při řezání kulatých nebo nestandardních tvarů dřeva použijte vhodné držící zařízení, aby se obrobek nepřetočil.**
- **Nepoužívejte štíty pro manipulaci a přepravu.**
- **Seřídte nastavitelný štít co nejlíže k obrobku, jak je to praktické.**
- **Nikdy se během používání nedotýkejte kotouče nebo jiných rotujících částí.**
- **Před změnou nastavení a odstraněním krytů, štítů nebo pásů odpojte pilu ze zdroje elektrického napájení.**
- **Vždy držte opracovávaný kousek pevně vůči pracovní desce.**
- **Jako prevence proti nechtěnému kontaktu s pilovým pásem, zlomení pilového pásu a pro maximální podporu pásu.** Vždy upravte vodítka pásu tak, abyste měli místo pouze pro obrobek.
- **Udržujte kotouče čisté, ostré a vhodně nastavené.** Ostré kotouče minimalizují zaseknutí a zpětný vrh.
- **Vždy pilu vypinejte před jejím odpojením, zabráníte náhodnému spuštění při dalším připojení k napájení.**
- **Zajistěte, aby bylo zajištěno dostatečné osvětlení při řezání obrobku a žádné překážky nenarušovaly bezpečný provoz před prováděním práce pilou.**
- **Vodítka pilového pásu byly přednastaveny v továrně.** Tato nastavení fungují pro určitá použití. Doporučujeme, abyste si nastavení pilového pásu před prvním použitím zkontrolovali a seřídili. Postupy jsou vysvětleny v části „SEŘÍZENÍ“ této uživatelské příručky věnované „Seřízení axiálních ložisek a podpěry vodítek pásu“.



## Čeština (Překlad z originálních pokynů)

- **Nástroj nepoužívejte k řezání kovu.**
- **Tento nástroj musí mít následující značky:**
  - Noste ochranu očí
  - Udržujte ruce mimo kotouč.
  - Nikdy zaseknuté odřezky neodstraňujte, dokud se pás pily nezastaví.
  - Ujistěte se, že je pás nainstalován se zuby směřujícími dolů.
  - Udržujte řádné napnutí pásu, seřízení vodítek pásu a axiálních ložisek.
  - Seřídte vodítko pásu tak, abyste měli místo pouze pro obrobek.
  - Při řezání přidržíte obrobek pevně na pracovní desce.
- **Pokud je napájecí kabel poškozen, musí být nahrazen pouze výrobcem nebo pověřeným servisním střediskem za účelem odstranění nebezpečí.**
- **Uchovejte si tyto pokyny.** Přečtěte si pokyny uvedené v části o používání nářadí, ve které jsou uvedeny informace o způsobech zamezení zpětného vrhu a prevence úrazů. Uchovejte si tento návod, abyste se k němu mohli v budoucnosti vrátit.

### ELEKTRICKÁ ČÁST

#### PRODLUŽOVACÍ KABELY

Používejte pouze 3-vodičové napájecí kabely, které mají 3 kolíky a 3 zdířky, které souhlasí se zástrčkou výrobku. Pokud natírací nástroj používáte na velké vzdálenosti od zdroje napájení, používejte prodlužovací kabel dostatečné dimenzovaný, aby bezproblémově napájel stroj. Poddimenzovaný napájecí kabel způsobuje pokles napětí ve vedení s následkem ztráty výkonu a přehřátí motoru.

Před použitím prodlužovacího kabelu zkontrolujte, zda nevidíte obnažené dráty a pořezanou nebo opotřebenou izolací vrstvu.

#### VAROVÁNÍ

Udržujte prodlužovací kabel mimo pracovní oblast. Umístěte kabel tak, aby se nezachytil o překážky, nástroje nebo jiné objekty během práce s elektrickým nástrojem. Zanedbání tohoto může způsobit vážné poranění osob.

#### VAROVÁNÍ

Zkontrolujte prodlužovací kabel před každým použitím. Poškozené kabely ihned vyměňte. Nikdy nepoužívejte stroj s poškozeným kabelem, protože dotyk tohoto poškozeného místa může způsobit těžký úraz elektrinou.

#### ELEKTRICKÉ PŘIPOJENÍ

Tento výrobek je poháněn přesně zkonstruovaným elektrickým motorem. Musí být připojen pouze k elektrické síti s napětím 220–240V, AC (běžný proud v zásuvkách domácností), 50 Hz. Neprovazujte tento výrobek na stejnosměrném proudu (DC). Velký pokles napětí způsobí ztrátu výkonu a motor se přehřeje. Pokud výrobek po zapojení do síťové zásuvky nepracuje, zkontrolujte zdroj napájení.

#### RYCHLOST A ZAPOJENÍ

Rychlost výrobku bez zátěže je cca 11 m/s. Tato rychlost není konstantní a snižuje se při zátěži či poklesu napětí. Co se týče napětí, elektrické zapojení v obchodě je stejně důležité, jako vstupní výkon motoru. Vedení určené pro napájení světel nemůže správně napájet motor nástroje. Drát, který je dostatečně těžký pro krátkou vzdálenost, bude lehký pro větší vzdálenost. Vedení, které podporuje jeden elektrický nástroj nemusí podporovat dva nebo tři nástroje.

#### POKYNY K UZEMNĚNÍ

Tento výrobek je nutné uzemnit. V případě selhání nebo havárie poskytuje uzemnění cestu nejmenšího odporu pro elektrický proud pro snížení poranění elektrickým proudem. Toto zařízení je vybaveno elektřinovým kabelem se zemnicím vodičem a uzemněnou zástrčkou. Zástrčka se smí zasouvat pouze do zásuvky, která je správně nainstalována a uzemněna v souladu se všemi místními zákony a pravidly.

Neupravujte dodanou zástrčku. Pokud se neshoduje se zásuvkou, požádejte kvalifikovaného elektrikáře o instalaci správné zásuvky. Ihned opravujte nebo vyměňte poškozený nebo opotřebený kabel.

#### ZBYTKOVÁ RIZIKA

Dokonce, i když se výrobek provozuje jak je předepsáno, je stále nemožné zcela eliminovat veškeré zbytkové rizikové faktory. Následující nebezpečí mohou nastat při používání; vyhněte se:

- Zpětný vrh obrobku a částí obrobku při nesprávné obsluze.
- Poškození dýchacího ústrojí.

## Čeština (Překlad z originálních pokynů)

**POZNÁMKA:** Noste dýchací masky obsahujících filtry vhodné pro obrábění materiálu. Zajistit dostatečné větrání pracoviště. V pracovní oblasti výrobku nejíst, nepít, ani nekouřit.

- Poškození sluchu, pokud se nenosí účinná ochrana sluchu.

### SEZNAMTE SE S VÝROBKEM

Viz obrázek 1.

Bezpečně používání tohoto výrobku vyžaduje pochopení informací na výrobku a v tomto návodu k použití jako i znalost úkolu, který budete provádět. Než začnete nářadí používat, seznámte se s jeho provozem a bezpečnostními pokyny, které je nutné při práci dodržovat.

### HLAVICE PRO NASTAVENÍ ÚHLU

Pro šikmé řezání nakloňte stůl pily.

### KRYT KOTOUČE

Chrání uživatele před kontaktem s pásem.

### HLAVICE PRO SEŘÍZENÍ VODÍTKA PÁSU

Použijte hlavici pro seřízení vodítka pásu k posunutí vodítek nahoru a dolů tak, aby se pás nezkroutil nebo nepřetrhl. Před spuštěním pily vždy vodítka pásu zajistěte proti pohybu.

### VODÍTKA PÁSU

Horní a spodní vodítka pásu pomáhají zabránit tomu, aby se pás během chodu nezkroutil.

### TRUBICE NA ODSÁVÁNÍ PRACHU

53mm port pro odsávání prachu umožňuje řezání bez prachu. Připojte prachový vak (není součástí balení) nebo shop vac k portu pro odsávání prachu.

### ZAJIŠŤOVACÍ ŠROUB KRYTU

Umožňuje otevření předního krytu pro seřizování.

### ÚHLOVÝ DORAZ

Tento doraz zarovnává dřevo pro příčné řezání. Jednoduchý ukazatel zobrazuje přesný úhel při pokosových řezech při 15°, 30°, 45° a 60°.

### UTAHOVACÍ PÁČKA RAPIDSET™

Ovládá napnutí pásu při výměně pásu a seřizování pro různé způsoby řezání.

### PILOVÝ KOTOUČ

Pila je dodávána se standardním 6,35mm pásem.

### PRACOVNÍ STŮL S VLOŽKOU

Tato pásová pila má stůl s ovládním naklánění. Vložka stolu, nainstalovaná do stolu v továrně, umožňuje čištění pásu.

### STUPNICE A UKAZATEL

Stupnice a ukazatel zobrazují úhel nebo stupeň naklonění pracovního stolu pro šikmé řezání.

### ZAJIŠŤOVACÍ PÁČKA STOLU

Povolením zajišťovací páčky stolu můžete pracovní stůl ohýbat do různých úhlů. Utažením zajišťovací páčky stolu uzamknete pracovní stůl v dané poloze.

### KNOFLÍK PRO PŘESNÝ BĚH PÁSU

Seřídte vedení pásu tak, aby byl pás vycentrovaný na kolech.

### SLEDOVACÍ OKÉNKO

Hledítko vám seřizení vedení pásu usnadní.

### VYTAHOVACÍ TYČKAK

Vždy použijte posuvnou tyč pro posouvání obrobku.

### SEZNAM VOLNÝCH ČÁSTÍ

Popis	Množ.
Podložky	7
Zajišťovací páčka stolu	1
Klíč pro šestihřanné šrouby a matice, 3 mm	1
Klíč pro šestihřanné šrouby a matice, 4 mm	1
Klíč pro šestihřanné šrouby a matice, 5 mm	1
Úhlový doraz	1
Uzavřené matice	4
Nohy	4
Pracovní stůl pily	1
Zajišťovací šrouby	2
Šestihřanné matice	2
Rozšiřovací podpěra	1
Boční doraz	1
Vytahovací tyčkak	1
Uživatelská příručka	1

## Čeština (Překlad z originálních pokynů)

### MONTÁŽ

#### VYBALTE

Tento výrobek vyžaduje montáž.

- Opatrně vyjměte výrobek z krabice a položte na vodorovnou pracovní plochu.

#### VAROVÁNÍ

Výrobek nepoužívejte, pokud byly při vybalování některé díly ze seznamu volných dílů předem na výrobek namontovány. Díly uvedené na seznamu výrobce neskládá a vyžadují instalaci zákazníkem. Používání výrobku, který byl nesprávně sestaven, může vést k závažnému úrazu.

- Důkladně nástroj zkontrolujte, zda během přepravy nedošlo k polámání nebo poškození výrobku. **POZNÁMKA:** Pila byla dodána bez napnutého pásu. Pílu proto nezapínajte, dokud nebude pás řádně napnutý.
- Obalový materiál nevyhazujte, dokud výrobek pečlivě nezkontrolujete a úspěšně nezprovozníte.
- Pokud jsou některé díly poškozené nebo chybí, zavolejte na servisní centrum o radu.

#### VAROVÁNÍ

Pokud jsou některé díly poškozené nebo chybí, výrobek nepoužívejte, dokud nebudou díly vyměněny. Použití výrobku s poškozenými nebo chybějícími díly může způsobit úraz.

#### VAROVÁNÍ

Nepokoušejte se nepokoušejte upravovat ani nevytvářejte žádné příslušenství, které není doporučeno pro toto nářadí. Jakékoliv úpravy nebo přestavby znamenají nesprávné používání, což může mít za následek nebezpečné podmínky vedoucí k vážným poraněním osob.

#### VAROVÁNÍ

Nezapojte do zdroje elektrického napětí, dokud není montáž kompletní. Nedodržení těchto pokynů může vést k náhodnému spuštění, popřípadě k závažnému úrazu.

#### PŘIPEVNĚNÍ VÝROBKU K PRACOVNÍMU STOLU

Pokud budete výrobek používat na stálém místě, musí být připevněn k pevné ploše, např. pracovnímu stolu. K tomuto účelu jsou v podstavci pily čtyři šroubové otvory.

Šrouby (nejsou součástí balení) by měly být odpovídající délky vzhledem k podstavci pily, podložkám (nejsou součástí balení), šestihranným maticím (nejsou součástí balení) a tloušťce pracovního stolu. Všechny čtyři šrouby pevně utáhněte.

Po připevnění výrobku zkontrolujte, zda se během používání stůl nehýbe. Pokud se stůl nahýbá, klouže nebo posunuje, je nutné pracovní stůl před použitím výrobku zajistit k zemi proti pohybu.

- Umístěte výrobek na pracovní stůl. Podle otvorů v podstavci pily označte na stole místa, kam chcete výrobek připevnit.
- Vyrvejte díry do pracovního stolu.
- Umístěte pásovou pílu na pracovní stůl tak, aby se vyvrtné otvory ve stole překrývaly s otvory v podstavci pily.
- Zasuňte šrouby (nejsou součástí balení) a pevně utáhněte s použitím podložek a šestihranných matic (nejsou součástí balení). **POZNÁMKA:** Všechny šrouby vložte shora. Podložky a šestihranné matice připevněte zespoda stolu.

#### UPNUTÍ VÝROBKU K PRACOVNÍMU STOLU

Viz obrázek 4.

Pokud budete výrobek používat jako přenosný nástroj, doporučujeme jej připevnit nastalo k montážní desce, kterou pak lze snadno upnout k pracovnímu stolu nebo jiné ploše. Montážní deska by měla být dostatečně velká, aby během použití nedocházelo k naklánění pily. Doporučujeme jakoukoli kvalitní překližku nebo dřevotřískovou desku o tloušťce 19 mm.

Používáte-li vrutový šroub, musí být dostatečně dlouhý, aby prošel otvory v podstavci pily a materiálem, na který pílu připevňujete. Používáte-li s šroub s šestihrannou nebo čtvercovou hlavou, musí být dostatečně dlouhý, aby prošel otvory v podstavci pily, materiálem, na který pílu připevňujete, podložkami a maticemi.

#### POZNÁMKA: MOŽNÁ BUDE NUTNÉ ŠESTIHRANNÉ MATICE A PODLOŽKY NA SPODNÍ STRANĚ MONTÁŽNÍ DESKY ZAPUSTIT.

- K připevnění pily použijte otvory v podstavci pily jako šablonu pro označení otvorů na montážní desce. Označte otvory na montážní desce tam, kde si přejete pílu připevnit.
- Postupujte podle posledních tří kroků v části Připevnění výrobku k pracovnímu stolu, viz výše.

#### MONTÁŽ STOLU PILY

Viz obrázky 5 až 7.

- Sundejte D-matici, podložky a křídlový šroub na stole pily.



## Čeština (Překlad z originálních pokynů)

- Postavte se k pásové pile čelem, zasuňte stůl pod pás a otvorem zprava doleva.
- Držte pracovní stůl pily levou rukou a zároveň zatáhněte za hlavici pro nastavení úhlu směrem od rámu pily, srovnejte zuby na držáku stolu pily se zuby na hlavici pro nastavení úhlu. Hlavici uvolněte.
- Umístěte kuličky na rámu do otvorů v držáku stolu pily.
- Nasadte podložku na konec zajišťovací páčky stolu se závitem. Utáhněte stůl pily k rámu pily otočením zajišťovací páčky stolu doprava.
- Nasadte D-matic, podložky a křídlový šroub na pracovní stůl pily.

**POZNÁMKA:** Křídlový šroub přijde pod pracovní stůl pily.

### INSTALACE VÝSUVNÉHO SUPORTU

Viz obrázek 6.

- Vložte trubice výsuvného suportu zezadu do otvorů v podstavci pily.
- Zarovnejte otvory na trubici s otvory na podstavci pily.
- Vložte zajišťovací šrouby a utáhněte spolu s podložkami a šestihrannými maticemi.

### ZAROVNÁNÍ STOLU PILY S PÁSEM

Viz obrázky 8-9.

- Otočte zajišťovací hlavici doleva a odemkněte vodičko pásu. Otáčejte nastavitelnou hlavici vodička pásu doprava a zvedněte vodičko pásu do maximální výšky. Otočte zajišťovací hlavici doprava a utáhněte.
- Umístěte malý příložený úhelník na stůl pily vedle pásu.
- Uvolněte zajišťovací páčku stolu, otočte hlavici pro nastavení úhlu a nakloňte stůl pily nahoru a dolů tak, aby byl stůl zarovnaný kolmo na 90 ° k pásu (0° poloha). Znovu utáhněte zajišťovací páčku stolu.
- Otočte seřizovacím šroubem, dokud se šroub nezačne dotýkat krytu pily.
- Zkontrolujte, zda jsou stůl pily a pás k sobě kolmé. V případě potřeby upravte.
- Nastavte ukazatel na nulu a utáhněte šroub křížovým šroubovákem.

**POZNÁMKA:** Před započítím nového projektu vždy nejprve proveďte testovací řez, abyste se ujistili, že je pás správně kolmo zarovnaný. Pokud není kolmo, bude možná potřeba uvolnit šrouby pod stolem pily a nastavení upravit (otvor musí být rovnoměrný s pilovým pásem). Poté šrouby opět utáhněte.

### NAPNUTÍ PILOVÉHO PÁSU

Viz obrázky 10-11.

- Vypněte výrobek.
- Před použitím pásové pily otočte utahovací hlavici nahoře doprava.

- **POZNÁMKA:** Seřízení napnutí pásu lze provádět kdykoli.

- Brňte na zadní rovný okraj pilového pásu jako na kytarovou strunu a otáčejte přitom utahovací hlavici.

Při větším napnutí pásu je zvuk vyšší. Nikdy pás nenapínejte tak, aby byla pružina zcela stlačena. Při úplném stlačení již pružina nemůže fungovat jako tlumič nárazu.

Při příliš velkém napnutí se může pás roztrhnout. Obrobky větší tloušťky vyžadují větší napnutí; maximální napnutí není u všech řezů nezbytné. Příliš malé napnutí může způsobit propadnutí pásu na kolech.

### NASTAVENÍ VEDENÍ PÁSU

Viz obrázek 11.

Před nastavením vedení pásu jej musíte nejdříve řádně napnout. Zkontrolujte, zda vodička pásu pilového pásu nepřekáží. Zubová mezera (nejhlubší část ozubení) by měla být uprostřed gumového obložení.

#### Seřízení:

Odpojte ze zdroje elektrického napětí. Odšroubujte zajišťovací šrouby a otevřete přední kryty. Pozorujte umístění pásu na horním obložení kola a přitom rukou pomalu otáčejte horním kolem směrem doprava. Pokud se pás pohybuje mimo střed obložení kola, musí se napnutí pásu znovu seřídít.

#### Pokud se pás posunul od středu doleva nebo doprava:

- Otáčejte hlavici pro vedení pásu (doprava, pokud se pás posunul doleva; doleva, pokud se pás posunul doprava) a zároveň rukou otáčejte kolem, dokud se pás neposune zpátky do středu obložení kola.
- Zkontrolujte polohu pásu na spodním kole. Pás by měl být zcela na obložení kola (zubová mezera pásu ve středu). Pokud ne, upravte vedení pásu tak, aby byl pás na obou obložení kol.
- Rukou několikrát otočte horním kolem směrem doprava. Zkontrolujte, zda pás zůstane na stejném místě na obložení kol. Podle potřeby seřídte tak, aby bylo vedení pásu správně vystředěné.
- Uzavřete přední kryty a utáhněte zajišťovací šroub krytu.
- Spustte výrobek.
- Zkontrolujte, zda je pilový pás ve středu obou kol (přes hledítko). Pokud není ve středu, zopakujte výše uvedené kroky.



## Čeština (Překlad z originálních pokynů)

### VAROVÁNÍ

Vodítka pilového pásu byly přednastaveny v továrně. Tato nastavení fungují pro určitá použití. Doporučujeme, abyste si nastavení pilového pásu před prvním použitím zkontrolovali a seřídili. Postupy jsou vysvětleny v části „Seřízení“ této uživatelské příručky věnované „Nastavení vodítka pásu a axiálních ložisek“.

### INSTALACE BOČNÍHO DORAZU

- Umístěte boční doraz na levou stranu stolu pily se zajišťovací rukojetí vpředu.
- Zatlacením rukojeti dolů uzamknete polohu bočního dorazu.
- Otočením zajišťovací rukojeti upravíte pevnost sevření svorek.

### OBSLUHA

### VAROVÁNÍ

I když se dobře seznámíte se strojem, nikdy nepřestávejte být opatrní. Nezapomeňte, že nedbalost může ve zlomku vteřiny způsobit vážná poranění.

### VAROVÁNÍ

Vždy noste ochranu očí. Pochybení tak může způsobit vniknutí cizího tělesa do očí a způsobit vážná osobní poranění.

### VAROVÁNÍ

Nepoužívejte s tímto zařízením příslušenství neb doplňky, které nejsou doporučeny výrobcem. Používání doplňků a příslušenství nedoporučených výrobcem mohou způsobit vážná osobní poranění.

### VAROVÁNÍ

Abyste zabránili kontaktu s pilovým pásem, seřídte vodítka pásu tak, abyste bylo místo pouze na obrobek. Zanedbání tohoto může způsobit vážné poranění osob.

### VAROVÁNÍ

Nikdy výrobek nepoužívejte bez zajištěného krytu pásu a uzamčených předních krytů. Mohlo by to vést k závažnému poranění.

### ZÁKLADNÍ POUŽITÍ PÁSOVÉ PILY

Pásová pila je vlastně nástroj na oblé řezy, který je možné použít také na přímočaré řezání, jako jsou příčné řezy, pokosové řezy, šikmé řezy, složené řezání. Při použití pásové pily k přímočarému řezání může uživatel nainstalovat doraz ve formě kousku dřeva vhodné velikosti připevněného ke stolu pomocí C-svorek. Výrobek není určen k provádění vnitřních řezů nebo zářezů.

Před tím, než začnete řezat, pozorujte chvilku výrobek za chodu. Pokud se objeví nadměrná vibrace nebo neobvyklé zvuky, okamžitě nástroj zastavte. Vypněte výrobek a odpojte z elektrické sítě. Výrobek nespouštějte, dokud problém neobjevíte a neopravíte.

### POSTUP PŘI ŘEZÁNÍ

- Vždy držte opracovávaný kousek pevně vůči pracovní desce.
- Při podávání obrobku pod pilový pás použijte mírný tlak a obě ruce. Obrobek nikdy netlačte, nechte pilový pás obrobek řezat.
- Nejmenší možný kruhový průměr, který je možné uřezat, je dán šířkou pilového pásu. Pás o šířce 6,35 mm vyřeže minimální průměr 38 mm.
- Udržujte ruce mimo kotouč. Nepřidržujte rukama kusy, které jsou tak malé, že byste měli prsty pod krytem pilového pásu.
- Vyhýbejte se nestandardnímu řezání a nepokládejte ruce tam, kde může nenadále vysmyknutí způsobit závažné poranění kvůli kontaktu s pilovým pásem. Nikdy nepokládejte ruce do cesty pilovému pásu.
- Při řezání velkých, malých nebo nestandardních kusů dřeva použijte dodatečnou podpěru (stoly, kozy na řezání dřeva atd.).
- Nikdy nepoužívejte osobu místo prodloužení stolu nebo dodatečné podpěry obrobku, který je delší nebo širší než základní stůl pily.
- Při řezání obrobků nepravidelných tvarů si naplánujte práci tak, aby nedošlo k přiskřípnutí pilového pásu. Například tvarovaný kus musí ležet na stole pily naplocho. Obrobky se nesmí při řezání křivit, kolébat ani klouzat.

Při podpírání obrobku může dojít k uvíznutí pilového pásu v zářezu. Většinou je to způsobeno pilinami v zářezu nebo tím, když pilový pás vyklouzne z vodítek. Pokud k tomu dojde:

- Vypněte výrobek. Počkejte, až se pila zcela zastaví. Odpojte výrobek z elektrické sítě.
- Pomocí plochého šroubováku nebo dřevěného klínu zářez rozevřete.
- Otevřete přední kryt a rukou točte horním kolem zatímco podpíráte obrobek.





## Čeština (Překlad z originálních pokynů)

### RÝHY

Rýhy se dělají při řezání obtížných křivek (příliš malý průměr pro daný pilový pás). Udělejte zářez na kousku obrobku ve tvaru požadované křivky a poté pilový pás opatrně vyjměte. U obtížných křivek byste měli udělat několik rýh před vlastním řezáním, protože části jsou od křivky odřezávány při uvolňování tlaku pásu.

### SPIRÁLOVÝ ŘEZ

U obyčejných úhlových řezů následujte předem označené čáry tlačěním a otáčením obrobku. Když je pilový pás v obrobku, je nutné při otáčení obrobku na něj zároveň tlačit, jinak by mohl obrobek pilový pás pokřivit.

### ODSTRANĚNÍ ZASEKNUTÝCH MATERIÁLŮ

Nikdy zaseknuté odřezky neodstraňujte, dokud se pilový pás úplně nezastaví.

- Vypněte výrobek. Počkejte, až se pila zcela zastaví.
- Před odstraněním zaseknutého materiálu vypněte nástroj ze zdroje elektrického napětí.

### PŘEDCHÁZENÍ ÚRAZŮM

- Ujistěte se, že je pila ve vodorovné poloze a nekymácí se. Pila by měla být vždy umístěna na pevném, vodorovném povrchu s dostatečným prostorem k manipulaci a řádné podpěře obrobku.
- Jako prevence proti pádu, posunutí nebo sklouznutí během chodu (např. při řezání dlouhých a těžkých prken) přišroubujte pilu k povrchu.
- Před přemístěním pilu vypněte a odpojte z elektřiny.
- Nikdy zaseknuté odřezky neodstraňujte, dokud se pilový pás úplně nezastaví.
- Použijte správnou velikost a styl pásu pro daný materiál a typ řezu.
- Ujistěte se, že zuby pásu směřují směrem ke stolu pily, že vodítka pásu, axiální ložiska a napnutí pásu jsou řádně seřízené, že je hlavice pro vodítka pásu utažená a žádné díly nejsou volné.
- Jako prevence proti nechtěnému kontaktu s pilovým pásem, přetřetí pásu a pro maximální podporu pásu vždy seřídte vodítka pásu tak, aby bylo těsně u obrobku.
- Použijte pouze doporučená příslušenství.
- Před spuštěním pily odstraňte ze stolu pily vše s výjimkou obrobků a souvisejících podpěrných zařízení.
- Zajistěte dostatečnou podporu kulatým materiálům jako spojovací kolíky nebo trubky, protože ty mají tendenci se během řezání kutálet a mohou způsobit zaseknutí pásu. Abyste tomu zabránili, vždy použijte blok ve tvaru V nebo připevněte obrobek svorkou k úhlovému dorazu.
- Před odstraněním volných kousků ze stolu pily

nejdříve vypněte a počkejte, až se všechny pohyblivé části zastaví.

### ZAPNUTÍ/VYPNUTÍ VÝROBKU

Viz obrázek 12.

- Výrobek spustíte zmáčknutím tlačítka „I“.
- Výrobek vypnete zmáčknutím tlačítka „O“.


### PŘED OPUŠTĚNÍM VÝROBKU

Viz obrázek 12.

- Vypněte výrobek. Počkejte, až se pila zcela zastaví.
- Odpojte výrobek z elektrické sítě.
- Ukliděte dílnu tak, aby byla bezpečná i pro děti.
- Uvolněte napnutí pilový pás pomocí utahovací páčky Rapidset™, čímž prodloužíte životnost pilového pásu.
- Uzamkněte dílnu.

### ZAPNUTÍ/VYPNUTÍ PRACOVNÍ LAMPY

Viz obrázek 13.

- Pracovní lampu zapnete zmáčknutím tlačítka „“.
- Pracovní lampu vypnete zmáčknutím tlačítka „O“.

### NAKLONĚNÍ STOLU

Viz obrázek 14.

- Mírně uvolněte zajišťovací hlavici stolu.
- Otočte hlavici pro nastavení úhlu a nakloňte stůl pily do požadovaného úhlu.
- Pomocí ukazatele zkontrolujte nastavení úhlu.
- Utáhněte zajišťovací hlavici stolu, abyste zajistili stůl pily proti pohybu.

### POUŽITÍ ÚHLOVÉHO DORAZU

Viz obrázky 15-16.

Úhlový doraz lze nastavit na maximálně 60 ° doleva nebo doprava.

- Uvolněte zajišťovací hlavici na úhlovém dorazu.
- Nechte úhlový doraz v jeho otvoru a natočte doraz do požadovaného úhlu. Na stupnici odečtěte nastavený rozměr.
- Utáhněte zajišťovací hlavici.

### POUŽITÍ BOČNÍHO DORAZU

Boční doraz se používá pro rozmitání. Nikdy neprovádějte od ruky bez bočního dorazu a bezpečného upevnění.

- Položte doraz do požadované šířky rozmitání a upevněte.
- Než začnete, ujistěte se, že je boční doraz rovnoběžný s pásem pily. Při rozmitání dlouhých prken nebo velkých panelů vždy použijte podpěru.





## Čeština (Překlad z originálních pokynů)

- Přidržte obrobek u dorazu a podávejte pod pilový pás s mírným a rovnoměrným tlakem.

### SEŘÍZENÍ

#### ▲ VAROVÁNÍ

Před seřizováním vždy zkontrolujte, zda je nástroj odpojen ze zdroje elektrického napětí a spínač je vypnutý. Nedodržení tohoto varování může způsobit vážné osobní poranění.

#### ▲ VAROVÁNÍ

Jako prevence proti úrazu udržujte řádné napnutí pilového pásu, vedení pilového pásu, vodítek pily a axiálních ložisek.

### INSTALACE A SEŘÍZENÍ PILOVÉHO PÁSU

Viz obrázek 17.

- Uvolněte a sundejte křídlový šroub, podložky a D-matici ze stolu pily.
- Odšroubujte zajišťovací šrouby a otevřete přední kryty.
- Otočte zajišťovací hlavici doleva a odemkněte vodítko pásu. Otáčením hlavice vodítek pásu (doprava se vodítka zvyšují, doleva snižují) umístěte vodítka pásu asi na půl cesty mezi stolem pily a krytem pily. Utáhněte zajišťovací hlavici.
- Otevřete kryt pásu vytáhnutím levé strany krytu směrem od kola.
- Uvolněte napnutý pás.
- Opatrně vyjměte starý pás.
- V rukavicích opatrně rozviňte nový pás na rozpětí paží. Pokud byl nový pás naolejován proti korozi, bude možná nutné ho utřít, aby olej nezamastil obrobek. Opatrně utřete ve směru zubů tak, aby se hadr na zubech pásu nezachytil.

**POZNÁMKA:** Pokud zuby pásu směřují špatným směrem, prosím přetočte. Uchopte pás oběma rukama a přetočte dovnitř.

- Se zuby pásu natočenými na levou stranu pily směrem dolů umístěte pás skrze spodní vodítka pásu a okolo obou kol.
- Pomalu rukou otáčejte horním kolem doprava a vycentrujte pás na gumových obloženích.
- Utáhněte utahovací páčku RapidSet™ a seřídte napnutí pásu; zkontrolujte a popř. seřídte vedení pásu.
- Upravte horní i spodní vodítka pásu a axiální ložiska tak, jak je uvedeno dále v této provozní příručce.

- Znovu nasadte křídlový šroub, podložky a D-matici. Pevně utáhněte.
- Zavřete kryt pásu a přední kryt. Utáhněte zajišťovací šroub krytu.

### SEŘÍZENÍ VODÍTEK PÁSU

Viz obrázky 18-19.

Aby se pás nepokřivil nebo neroztrhal, měla by být vodítka nastavena vždy přibližně 3,2 mm nad obrobkem.

- Otočte zajišťovací hlavici doleva a odemkněte vodítko pásu.
- K nastavení výšky vodítek pásu použijte zbytkový kousek stejného dřeva, které se chystáte řezat. Vodítka seřídíte otáčením hlavice vodítek pásu.
- Otočením zajišťovací hlavice doprava upevněte nastavená vodítka.
- Před spuštěním pily vždy vodítka pásu zajistěte proti pohybu.

### SEŘÍZENÍ PODPĚRY VODÍTEK A AXIÁLNÍCH LOŽISEK

Viz obrázky 20-21.

**POZNÁMKA:** Utáhněte zajišťovací hlavici a před seřizováním si přečtěte pokyny v části MONTÁŽ této uživatelské příručky věnované „Seřízení napnutí pásu“ a „Nastavení vedení pásu“.

Horní a spodní axiální ložiska podírají a vedou pás během řezání. Seřízení ložisek a vodítek je nutné zkontrolovat při každé instalaci jiného pásu.

#### Seřízení axiálních ložisek:

Axiální ložiska podírají zadní hranu pásu během řezání. Když přestanete řezat, pás by se neměl axiálních ložisek dotýkat. Je důležité, aby byla obě horní i spodní axiální ložiska seřizena stejně.

- Otevřete přední kryt a kryt pásu.
- Pomocí šestihranného klíče uvolněte šrouby horního i spodního ložiska a zatlačte axiální ložiska dozadu.
- Zkontrolujte, zda je vedení pásu správně seřizeno, pak posuňte axiální ložisko dopředu do vzdálenosti 0,4 mm od pásu. Pevně utáhněte šroub axiálního ložiska.
- Posuňte spodní ložisko dostatečně dopředu. Pevně utáhněte šroub axiálního ložiska.

#### Seřízení podpěry vodítek pásu:

- Uvolněte podpěru vodítek pásu a vodítka pásu pomocí šestihranného klíče.
- Posuňte podpěru horního vodítka na vřetenu, dokud se přední hrana vodítek nedotkne pásu za zubovou mezerou. Pevně utáhněte šroub.
- Zatlačte pravé vodítko tak, aby se dotklo pásu, a uvolněte. Pomalu otočte kolem jednou dokola.



## Čeština (Překlad z originálních pokynů)

Utáhněte šrouby vodítek pásu.

- Seřídte levé vodítko tak, aby byla mezi pásem a vodítkem 0,4mm mezera (cca tloušťka hrací karty) – vložte hrací kartu mezi levé vodítko a pilový pás.
- Zatlačte na levé vodítko tak, aby karta držela. Utáhněte šroub a kartu vyjměte.
- Rukou třikrát otočte, aby se pás nesekal.
- Zavřete kryt pásu a přední kryt. Zajistěte šrouby.

Postup zopakujte pro spodní opěru vodítka pásu.

### SEŘÍZENÍ BOČNÍHO DORAZU

- Uvolněte zajišťovací rukojeť jejím otočením doleva.
- Posuňte boční doraz do požadované polohy.
- Zatlačením rukojeti dolů uzamknete polohu bočního dorazu.
- Otočením zajišťovací rukojeti upravíte pevnost sevření svorek.

### ÚDRŽBA

#### VAROVÁNÍ

Při údržbě používejte pouze stejné náhradní díly. Použití jakýchkoliv jiných dílů může vytvořit nebezpečí nebo způsobit poškození výrobku.

#### VAROVÁNÍ

Při používání nástroje vždy noste ochranné brýle. Pokud pracujete v prachu, noste také respirátor.

#### VAROVÁNÍ

Před prováděním jakékoli údržby zkontrolujte, zda je nástroj odpojen ze zdroje elektrického napětí a spínač je vypnutý. Nedodržení tohoto varování může způsobit vážné osobní poranění.

### OBECNÁ ÚDRŽBA

Vyhnete se používání rozpouštědel, když čistíte plastové díly. Mnoho plastů je citlivých na poškození různými typy komerčních rozpouštědel a mohou se poškodit při jejich použití. Používejte čisté utěrky pro odstranění nečistot, prachu, oleje, mastnoty, atd.

#### VAROVÁNÍ

Nikdy nenechte přijít brzdové kapaliny, petrolej, výrobky založené na petroleji, pronikavé oleje, atd. do kontaktu s plastovými součástmi. Tyto výrobky obsahují chemikálie, které mohou poškodit, oslabit nebo zničit plastové části, případně snížit jejich životnost a být příčinou úrazu.

- Udržujte výrobek čistý.
- Pravidelně odstraňujte piliny z vnitřní části výrobku.
- Nedovoďte, aby se na pásu, vodítkách pásu či na axiálních ložiskách tvořily usazeniny. Odstraňte je čističem na usazeniny.
- Naneste tenkou vrstvu automobilového vosku na povrch stolu pily, aby při řezání dřevo lépe klouzalo.

### Mazání

Veškerá ložiska nářadí byla výrobcem namazána dostatečným množstvím vysoce účinného maziva, které stačí na celou dobu životnosti nářadí při normálních podmínkách používání. Žádné další mazání nářadí není nutné.

### GUMOVÉ OBLOŽENÍ

#### Čištění obložení:

- Na obložení se hromadí usazeniny a piliny, které je potřeba odstranit jemným drátěným kartáčem nebo kusem dřeva. **Nepoužívejte ostrý nůž ani žádná rozpouštědla.**

#### Výměna obložení:

- Otevřete přední kryt a vyjměte pilový pás. Viz část věnovaná Instalaci a seřízení pilového pásu.
- Opatrně sundejte opotřebované obložení z kola.
- Natáhněte nové obložení na kolo.
- Opětovně nasadte pás a zavřete přední kryt.

### KARTÁČ

Viz obrázek 22.

Vedle kola v krytu pily je umístěn kartáč. Pomáhá s ochranou obložení a kola ometáním pilin. Opotřebovaný kartáč je potřeba upravit nebo vyměnit.

- Vyjměte šroub a podložku a kartáč vytáhněte.
- Vložte nový kartáč.
- Opětovně nasadte podložku a utáhněte šroub.

## Čeština (Překlad z originálních pokynů)

### PŘEPRAVA A SKLADOVÁNÍ

Viz obrázky 23-24.

- Při převozu nástroje jej odpojte od zdroje napájení, snižte vodítko pásu a sundejte jej z podstavce. Posuvnou tyč uchovávejte na boku horního krytu. Zvedněte výrobek za horní kryt, jak je znázorněno na obrázku. Skladujte výrobek na bezpečném místě, které není přístupné dětem.
- Vyčistěte výrobek před uskladněním pomocí štětce a vysavače.

### OCHRANA ŽIVOTNÍHO PROSTŘEDÍ



V rámci možností neodhazujte vysloužilé nářadí do domovního odpadu a upřednostněte jeho recyklaci. V souladu s předpisy na ochranu životního prostředí odkládejte vysloužilé nářadí, příslušenství i obalový materiál do tříděného odpadu.

### SYMBOL



Bezpečnostní výstraha



Shoda CE



Před použitím přístroje si prosím řádně přečtete tyto pokyny.



Noste ochranu očí



Noste ochranu sluchu



NEBEZPEČÍ! Ostrý kotouč.



Zamknuto



Odemknuto



Maximální hloubka řezu



Maximální šířka řezu



Maximální úhel řezu



Provozní rychlost



Velikost pásu



Nástroj před prováděním údržby odpojte ze zdroje elektrického napětí.



Odpad elektrických výrobků se nesmí likvidovat v domovním odpadu. Recyklujte prosím na sběrných místech. Ptejte se u místních úřadů nebo prodejce na postup při recyklaci.

## Čeština (Překlad z originálních pokynů)

### ODSTRANĚNÍ ZÁVAD

Problém	Možná příčina	Řešení
Motor neběží	<ol style="list-style-type: none"> <li>1. Problém se spínačem nebo síťovým kabelem.</li> <li>2. Nefunkční motor.</li> <li>3. Pilový pás se seká.</li> </ol>	<ol style="list-style-type: none"> <li>1. Díly před dalším použitím výrobku vyměňte.</li> <li>2. Nepokoušejte se výrobek opravit. Nástroj nechtej opravít u kvalifikované osoby.</li> <li>3. Odstraňte zaseknutý materiál.</li> </ol>
Pás neprochází středem horního kola.	<ol style="list-style-type: none"> <li>1. Špatně nastavené vedení pásu.</li> </ol>	<ol style="list-style-type: none"> <li>1. Seřídte vedení, viz část SEŘÍZENÍ, „Nastavení vedení pásu“.</li> <li>2. Je-li něco z toho poškozeno, ihned nechtej vyměnit kvalifikovaným elektrikářem.</li> </ol>
Pásová pila při řezání zpomaluje.	<ol style="list-style-type: none"> <li>1. Řeže příliš malý průměr.</li> <li>2. Tupý pás.</li> </ol>	<ol style="list-style-type: none"> <li>1. Přestaňte podávat a materiál mírně vysuňte, dokud pásová pila zase nezrychlí.</li> <li>2. Vyměňte pás.</li> </ol>
Pás se láme.	<ol style="list-style-type: none"> <li>1. Příliš velké napnutí pásu.</li> <li>2. Zkroucení pásu způsobené řezáním příliš malého průměru nebo příliš rychlým otáčením při řezání.</li> <li>3. Axiální ložiska jsou poškozená nebo se netočí.</li> </ol>	<ol style="list-style-type: none"> <li>1. Upravte napnutí. Viz část SEŘÍZENÍ, „Seřízení napnutí pásu“.</li> <li>2. Použijte správnou řezací techniku. Viz část Provoz.</li> <li>3. Vyměňte axiální ložiska.</li> </ol>
Výrobek má hlučný chod.	<ol style="list-style-type: none"> <li>1. Příliš velké napnutí pásu.</li> <li>2. Vodítka pásu a ložiska jsou v kontaktu s pásem.</li> </ol>	<ol style="list-style-type: none"> <li>1. Upravte napnutí. Viz část SEŘÍZENÍ, „Seřízení napnutí pásu“.</li> <li>2. Upravte horní a spodní vodítka pásu a ložiska. „Viz část SEŘÍZENÍ, Seřízení axiálních ložisek a Podpěra vodítek pásu“.</li> </ol>
Pás neřeže rovně.	<ol style="list-style-type: none"> <li>1. Vodítka pásu pily a ložiska nejsou pořádně seřizené.</li> <li>2. Opotřeбенý nebo vadný pás.</li> </ol>	<ol style="list-style-type: none"> <li>1. Upravte horní a spodní vodítka pásu a ložiska. „Viz část SEŘÍZENÍ, Seřízení axiálních ložisek a Podpěra vodítek pásu“.</li> <li>2. Vyměňte pás.</li> </ol>
Vodítka pásu se posouvají.	<ol style="list-style-type: none"> <li>1. Šrouby vodítek pásu pily jsou uvolněné.</li> </ol>	<ol style="list-style-type: none"> <li>1. Pevně utáhněte šrouby vodítek pásu.</li> </ol>
Motor běží, ale pás se nehýbe.	<ol style="list-style-type: none"> <li>1. Napnutí pásu není řádně nastavené.</li> <li>2. Hnací pás je rozbitý.</li> </ol>	<ol style="list-style-type: none"> <li>1. Použijte utahovací páčku.</li> <li>2. Je-li něco z toho poškozeno, ihned nechtej vyměnit kvalifikovaným elektrikářem.</li> </ol>



## Magyar (Az eredeti útmutató fordítása)

### LEÍRÁS

- |  |                                |
|--|--------------------------------|
| 1. Szalagfeszesség gomb                    | 53. Retesz                     |
| 2. Burkolatrögzítő csavar                  | 54. Vezetőcsapágó              |
| 3. Vezetési figyelőablak                   | 55. Vezetőcsapágó csavar       |
| 4. Munkalámpa                              | 56. Szalagvezető tartócsavar   |
| 5. Tárcsavédő                              | 57. Felső szalagvezető tartója |
| 6. Fűrészlap                               | 58. Szalagvezető               |
| 7. Gérvágó mérce                           | 59. Szalagvezető állítócsavar  |
| 8. Porelszívó csatlakozó                   | 60. Szalagvezető csavar        |
| 9. Skálajelző                              | 61. Alsó szalagvezető tartója  |
| 10. Szögállító gomb                        | 62. Kefe                       |
| 11. Skála                                  | 63. Alátétkarika               |
| 12. Asztalrögzítő kar                      | 64. Csavar                     |
| 13. Rögzítőgomb                            | 65. Abroncs                    |
| 14. Szalagvezető beállító gombja           |                                |
| 15. Szalagfeszesség állítókar              |                                |
| 16. Toroklemez                             |                                |
| 17. Vezetőgomb                             |                                |
| 18. Be/ki kapcsoló                         |                                |
| 19. Fűrészasztal                           |                                |
| 20. Első alsó panel                        |                                |
| 21. Első felső panel                       |                                |
| 22. Párhuzamvezető                         |                                |
| 23. Munkavilágítás-kapcsoló                |                                |
| 24. Nyomópálca                             |                                |
| 25. Csillagcsavarhúzó (nem tartozék)       |                                |
| 26. Állítható csavarkulcs (nem tartozék)   |                                |
| 27. Kis kombinált derékszög (nem tartozék) |                                |
| 28. Imbuszkulcs , 3 mm                     |                                |
| 29. Imbuszkulcs , 4 mm                     |                                |
| 30. Imbuszkulcs , 5 mm                     |                                |
| 31. Alátétkarika                           |                                |
| 32. Záróanyák                              |                                |
| 33. Alátétek                               |                                |
| 34. Lábak                                  |                                |
| 35. Reteszelőcsapok                        |                                |
| 36. Hatlapú anyák                          |                                |
| 37. Támaszhosszabbító                      |                                |
| 38. Lyukak fűrészlapon                     |                                |
| 39. D-anya                                 |                                |
| 40. Szárnyas csavar                        |                                |
| 41. Fűrészasztal konzol                    |                                |
| 42. Lapvezető szerelvény                   |                                |
| 43. Beállító csavar                        |                                |
| 44. Feszesség csökkentése                  |                                |
| 45. Feszesség növelése                     |                                |
| 46. Rögzítőgomb                            |                                |
| 47. Gérvágó mérce horony                   |                                |
| 48. Csillagfejű csavarok                   |                                |
| 49. Felső tárcsa                           |                                |
| 50. Alsó szalagvezetők                     |                                |
| 51. Alsó tárcsa                            |                                |
| 52. Szétnyitás                             |                                |





## Magyar (Az eredeti útmutató fordítása)

A szalagfűrész tervezése során elsődleges szempont volt a biztonság, a teljesítmény és a megbízhatóság.

### RENDELTESSZERŰ HASZNÁLAT

A szalagfűrész fa és fából készült termékek egyenes vágására, kanyarító vágására és a körvágására szánták.

A terméket felnőtt kezelők általi használatra terveztük, akik elolvasták a gépkönyvet, és értik a kockázatokat és veszélyeket.

A fűrészt száraz körülmények között kell használni, kiváló környezeti világítással és megfelelő szellőzéssel rendelkező helyen.

A termék csak otthoni használatra alkalmas, és csak a fent meghatározottak szerint használható, és nem alkalmas semmilyen más célra.

### ÁLTALÁNOS BIZTONSÁGI FIGYELMEZTETÉSEK

#### FIGYELEM

Elektromos szerszámgépek használatakor a tűz, elektromos áramütés és a személyi sérülés veszélyének csökkentése érdekében az alapvető biztonsági óvintézkedéseket mindig be kell tartani. Mielőtt a termék használatával próbálkozik, olvassa el az összes utasítást, és őrizze meg a későbbi használatra.

- **Tartsa tisztán a munkaterületet.** A rendetlen munkafelület balesetveszélyes.
- **Vizsgálja át a munkaterületet.** Ne tegye ki a gépeket esőnek. Nedves vagy vizes területeken ne használja a gépeket. Jól világítsa meg a munkaterületet. Gyúlékony folyadékok vagy gázok jelenlétében ne használja a gépeket.
- **Védekezzen az áramütés ellen.** Kerülje a testi érintkezést földelt felülettel (pl. csövekkel, radiátorokkal, hűtőkkel).
- **Tartson távol másokat a munkaterülettől.** Ne hagyja, hogy más személyek, különösen gyerekek részt vegyenek a munkában, megérintsék a szerszámot vagy a hosszabbító kábelt, és tartsa távol őket a munkaterülettől.
- **Tegye el a gépet, ha nem használja.** Használaton kívül a szerszámgépeket valamilyen száraz, zárt helyen, gyerekektől elzárva kell tárolni.
- **Ne erőltesse a gépet.** A gép jobban teljesít és biztonságosabban dolgozik olyan sebesség használatkor, amilyenre azt tervezték.
- **A megfelelő szerszámot használja.** Ne erőltesse a kisméretű géppel való munkát olyan esetekben, ahol a feladatot egy nagyobb szerszámmal könnyebb

elvégezni. Ne használja a rendeltetésének nem megfelelő célra a gépet.

- **Viseljen megfelelő ruházatot.** Ne viseljen laza ruházatot vagy ékszereket, amelyek beakadhatnak a mozgó alkatrészekbe. Kültéri munkához csúszásmentes lábbeli viselete javasolt. Ha hosszú a haja, viseljen hajvédőt.
- **Használjon védőfelszerelést.** Viseljen védőszemüveget. Viseljen arcvédőt vagy pormaszkot, ha a munka során por keletkezik.
- **Csatlakoztassa a porkivezető berendezést.** Ha a gép el van látva porkivezető vagy gyűjtő berendezésekhez való csatlakozási lehetőséggel, akkor ügyeljen arra, hogy ezeket csatlakoztassák és megfelelően használják.
- **Ne rongálja meg a kábelt.** Ne rántsa meg a kábelt a hálózathoz való lecsatlakoztatáskor. Hőtől, olajtól és éles szélektől tartsa távol a kábelt.
- **Rögzítse a munkadarabot.** Ahol lehetséges, használjon szorítókat vagy satut a munkadarab rögzítésére. Biztonságosabb, mintha a kezét használná.
- **Ne hajoljon ki túlságosan.** Mindig tartson megfelelő testtartást és egyensúlyt.
- **A szerszámok karbantartását kellő alaposítással végezze.** A vágószerszámokat tartsa élesen és tisztán, hogy teljesítményük jobb és biztonságosabb legyen. Tartozékcseré és kenés esetén kövesse az útmutatóban leírtakat. Rendszeresen ellenőrizze a gép kábeleit, és sérülés esetén egy hivatalos szervizközpontban javíttassa meg. Rendszeresen ellenőrizze a hosszabbító kábelt, és cserélje ki, ha sérült. A fogantyúkat tartsa szárazon, tisztán, olajtól és kenőzsírtól mentesen.
- **Csatlakoztassa le a gépeket a hálózathoz.** Használaton kívül, szervizelés előtt, valamint a tartozékok, például kések, bitek és vágók cseréjekor csatlakoztassa le a gépet az elektromos hálózatról.
- **Távolítsa el a beállító kulcsokat és csavarkulcsokat.** Bekapcsolás előtt szokásszerűen ellenőrizze, hogy a csavarkulcsokat és a beállító kulcsokat eltávolította a gépről.
- **Kerülje el a véletlen bekapcsolást.** A hálózathoz való csatlakoztatáskor ellenőrizze, hogy a kapcsoló "ki" állásban van.
- **Kültéri használatra való kábeleket használjon.** A szerszám kültéri használata során csak kültéri használatra is alkalmas és így is jelölt hosszabbító kábeleket használjon.
- **Legyen mindig éber.** Figyeljen arra, amit csinál, használja az összes érzékszervét, és ne használja a szerszámgépet, ha fáradt.
- **Ellenőrizze a sérült alkatrészeket.** A készüléket



## Magyar (Az eredeti útmutató fordítása)

a további használata előtt ellenőrizni kell, hogy képes megfelelően működni és ellátni a funkcióját. Ellenőrizze a mozgó alkatrészek elrendezését, összekapcsolódását, az alkatrészek törését, rögzítését és minden más körülményt, ami hatással lehet a működésre. Ha egy védőlemez vagy más alkatrész megsérült, azt egy hivatalos szervizközpontban kell megjavíttatni vagy kicseréltetni, hacsak a kezelői útmutató másként nem rendelí. A hibás kapcsolókat egy hivatalos szervizközpontban ki kell cseréltetni. Ne használja a gépet, ha a kapcsoló nem kapcsolja be vagy ki.

- **Figyelem.** A használati utasításban nem javasolt tartozékok vagy kiegészítők használata személyi sérülés veszélyét jelentheti.
- **A gépet képzett szakemberrel kell megjavíttatni.** Ez az elektromos szerszámgép megfelel a vonatkozó biztonsági szabályoknak. A javításokat csak képzett szakember végezheti el eredeti cserealkatrészek használatával, máskülönben ez jelentős veszélyt eredményezhet a felhasználó számára.

### BIZTONSÁGI FIGYELMEZTETÉSEK A SZALAGFÜRÉSZHEZ

- **A fűrészrt rögzítse vagy csavarozza szilárdan egy munkaasztalhoz, körülbelül csipőmagasságban.**
- **Soha ne működtesse a készüléket a padlón.**
- **Kerülje a veszélyes műveleteket és az olyan közpozíciókat, ahol keze egy hirtelen megcsúszás után érintkezhet a fűrészlappal.** Mindig ügyeljen a megfelelő egyensúlyra.
- **A megszorulás vagy elakadás elkerüléséhez a vágás elkezdése előtt hagyja, hogy a motor elérje teljes sebességét.**
- **Ne használja a gépet, ha a kapcsoló nem kapcsolja be és ki.** A hibás kapcsolókat egy hivatalos szervizközpontban ki kell cseréltetni.
- **Cserealkatrészek.** Minden javítást, legyen az elektromos vagy mechanikai, márkaszervizben, szakképzett technikus végezzen.
- **Szervizeléskor csak azonos cserealkatrészeket használjon.** Bármilyen más alkatrész használata veszélyes és a termék károsodását okozhatja.
- **Tartsa távol a kezét a vágási területtől.** Ne tartson kézzel olyan apró munkadarabokat, amelyek megmunkálásakor az ujjai a fűrészszalag védőeleme alá kerülhetnek. Soha, semmilyen okból se dugja a kezét vagy az ujját a munkadarab alá a fűrészlap vágási síkjában.
- **Soha ne vágjon több munkadarabot egyidejűleg és ne halmozzon egymásra több munkadarabot a fűrészasztalra egyidejűleg.**

- **Ne adagolja túl gyorsan az anyagot.** Ne nyomja a munkadarabot túlzott erővel a fűrészszalagnak.
- **Csak megfelelő fűrészlapokat használjon.** Használjon az anyagnak és a vágástípusnak megfelelő lapméretet. A fűrészszalag fogai nézzenek az asztal felé.
- **A nagy munkadarabokat vágás közben támassza alá, hogy elkerülje a fűrészszalag becsípődésének és visszarúgásának kockázatát.** A fűrész megcsúszhat, imbolyoghat vagy megugorhat a nagyobb vagy súlyosabb deszkák vágásakor.
- **Ne vegye ki az elakadt levágott darabokat a fűrészszalag leállása előtt.**
- **Ne használjon sérült vagy eltorzult fűrészszalagokat.**
- **Az elhasználdott asztalbetétet ki kell cserélni.**
- **Fa fűrészeléskor csatlakoztassa a fűrészrt a porgyűjtőhöz.**
- **Ne használja a terméket, ha fűrész védőeleme nyitva van.**
- **A fűrészszalagot és a sebességet a vágandó anyag függvényében válassza ki.**
- **Ne tisztítsa a fűrészszalagot mozgás közben.**
- **Viseljen kesztyűt a fűrészszalag és durva anyagok kezelésekor.**
- **Használjon tolórudat, amikor vezetőléccel készít egyenes vágásokat kis munkadarabokon.**
- **A terméket teljesen leengedett és asztalközeli szalagvédővel szállítsa.**
- **Helyezze a vezetőlécét az asztal alacsonyabb oldalára, ha döntött asztallal készít ferde síkú vágásokat.**
- **Használjon megfelelő tartóeszközt, ha kerek vagy szabálytalan alakú fát vág, hogy megakadályozza a munkadarab elcsavarodását.**
- **Ne használja a védőelemet kezeléshez vagy szállításhoz.**
- **Az állítható védőelemet igazítsa a lehető legközelebb a munkadarabhoz.**
- **Soha ne érintse meg a tárcsát vagy a gép más forgó alkatrészét használat közben.**
- **A beállítások módosítása és a burkolatok, fűrészszalagok leszerelése előtt húzza ki a fűrész csatlakozódugóját az áramforrásból.**
- **A munkadarabot mindig rögzítse erősen az asztalhoz.**
- **A fűrészszalag véletlen megérintésének elkerüléséhez, a fűrészszalag törésének minimalizálására és a maximális szalag-alátámasztás biztosításához.** Mindig állítsa be a szalagvezető szerkezetet úgy, hogy szorosan a





## Magyar (Az eredeti útmutató fordítása)

munkadarab mellett legyen.

- **A fűrészlapok legyenek tiszták, élesek, megfelelő ferdeségűek.** Az éles fűrészlapok minimalizálják a beszorulás és a visszarúgás veszélyét.
- **Mindig kapcsolja ki a fűrészt a hálózatról való lecsatlakoztatása előtt, hogy elkerülje a véletlen beindulását, amikor újra csatlakoztatja a hálózatához.**
- **Mielőtt bármilyen munkát végezne a vágóval, győződjön meg róla, hogy a munkaterület megfelelő megvilágítással rendelkezik, a munkadarab jól látható és nem akadályozza semmi a biztonságos használatot.**
- **A szalagvezetők gyárilag beállítva érkeznek.** Ezek a beállítások egyes alkalmazásokhoz megfelelőek. Javasoljuk, hogy a fűrész első használata előtt ellenőrizze és állítsa be a szalagvezetőket. Tekintse meg a „Vezetőcsapágyak és szalagvezető tartójának beállítása” eljárásait a használati utasítás BEÁLLÍTÁSOK részében.
- **Ne használja az eszközt fém vágáshoz.**
- **A gépen a következő jelöléseknek kell lenniük:**
  - Viseljen szemvédőt
  - Tartsa a kezeit távol a vágótárcsától.
  - Ne vegye ki az elakadt vagy levágott darabokat a fűrészszalag leállása előtt.
  - A fűrészszalagot lefelé néző fogakkal szerelje fel.
  - Állítson be megfelelő szalagfeszességet, állítsa be a szalagvezetőket és a vezetőcsapágyakat.
  - Állítsa be a felső vezetőt közvetlenül a munkadarab mellé.
  - A vágás során tartsa a munkadarabot szilárdan az asztalhoz szorítva.
- **Ha a tápkábel sérült, azt a veszélyek elkerülése érdekében csak a gyártó vagy annak hivatalos szervizközpontja cserélheti ki.**
- **Őrizze meg ezt az útmutatót.** Időnként olvassa el és használja más felhasználók betanításakor. Ha kölcsönadja valakinek a gépet, adja hozzá a használati utasítást is.

### ELEKTROMOS JELLEMZŐK

#### HOSSZABBÍTÓ KÁBELEK

Csak 3 vezetékes hosszabbító kábelt használjon, amely 3-érintkezős dugasszal és olyan 3-pólusú aljzattal van felszerelve, amelybe csatlakoztatható a termék dugasa. Ha a gépet az áramforrástól jelentős távolságban használja, egy megfelelően nagy terheletőségű hosszabbító kábelt használjon, amely elbírja a termék által felvett áramerősséget. Az alulmértezett hosszabbító kábel feszültségesezt eredményez, ami teljesítményvesztést és

a motor túlmelegedését okozza.

Mielőtt hosszabbító kábelt használ, ellenőrizze, hogy ne legyen benne kilazult, csupasz vagy elvágott vezeték vagy elhasználdott szigetelés.

#### ⚠ FIGYELEM

A hosszabbító kábelt tartsa távol a munkaterülettől. Úgy helyezze el a hosszabbító kábelt, hogy géppel végzett munka során ne akadjon be farönkbe, szerszámokba és más akadályokba. Ezen előírás be nem tartása súlyos testi sérüléssel járó balesetet eredményezhet.

#### ⚠ FIGYELEM

Használat előtt mindig ellenőrizze a hosszabbító kábelt. Sérülés esetén azonnal cserélje ki. Soha ne használja a gépet sérült hosszabbító kábellel, mert a sérült terület megérintése súlyos sérüléssel járó áramütést okozhat.

#### ELEKTROMOS CSATLAKOZÁS

A terméket precíziós elektromos motor működteti. Csak 220~240 V 50 Hz-es váltakozó áramú (AC) elektromos hálózathoz (normál háztartási áram) csatlakoztatható. Ne működtesse a terméket egyenáramról (DC). Egy nagyobb feszültségingadozás teljesítményvesztést és a motor túlmelegedését okozza. Ha a termék nem működik a hálózatra való csatlakoztatás után, ellenőrizze újra a hálózati feszültséget.

#### SEBESSÉG ÉS VEZETÉKEZÉS

A termék terhelés nélküli sebessége körülbelül 11 m/s. Ez a fordulatszám nem állandó, terhelés alatt vagy kisebb feszültségek esetén csökken. A feszültséghez a műhely vezetékékezése ugyanolyan fontos, mint a motor névleges bemeneti teljesítménye. Egy fényforrásokhoz való vezeték nem képes megfelelően meghajtani egy szerszámgép motorját. A rövid távolságra elég erős vezeték nagy távolságokon túl gyenge is lehet. Az a vezeték, ami elbír egy szerszámgépet, nem biztos, hogy elbír két vagy három szerszámgépet.

#### FÖLDELÉSI ÚTUTATÓ

A terméket földelni kell. Meghibásodás vagy üzemzavar esetén a földelés biztosítja a legalacsonyabb ellenállású útvonalat az elektromos áramnak, így csökkenti az áramütés kockázatát. A termék olyan elektromos kábellel van felszerelve, ami földelő vezetékkel és földelt csatlakozóval van ellátva. A dugaszt egy megfelelően felszerelt és földelt aljzathoz kell csatlakoztatni, a helyi előírásokat és rendeleteket szem előtt tartva.

Ne módosítsa a készülékhez adott dugaszt. Ha nem illeszkedik az aljzathoz, akkor szereltesse fel egy megfelelő aljzathoz egy szakképzett villanyszerelővel.





## Magyar (Az eredeti útmutató fordítása)

A sérült vagy elhasználódott kábelt azonnal meg kell javíttatni vagy ki kell cserélni.

### VISSZAMARADÓ KOCKÁZATOK

Még a termék rendeltetészerű használata esetén sem lehet teljesen kiküszöbölni minden kockázati tényezőt. A gép használata során a következő veszélyek merülhetnek fel, és a kezelőnek különösen oda kell figyelnie az alábbiak elkerülésére:

- A munkadarab és a munkadarab részeinek visszarúgása helytelen beállítás vagy kezelés következtében.
- Légzőszervi károsodás.  
**MEGJEGYZÉS:** Viseljen légzésvédő maszkot, ami a megmunkálendő anyagoknak megfelelő szűrőket tartalmaz Biztosítson megfelelő szellőztetést. Ne egyen, igyon vagy dohányozzon a munkaterületen.
- Halláskárosodás a fül viseletének elmulasztása miatt.

### ISMERJE MEG A TERMÉKET

Lásd 1. ábrát.

A termék biztonságos használatához szükség van a termékben lévő és a használati útmutatóban megadott információk megértésére, és az elvégezni kívánt feladat ismeretére. A szerszám használatbavétele előtt tanulmányozza az alkalmazási lehetőségeit, valamint a biztonsággal kapcsolatos jellegzetességeit.

### SZÖGÁLLÍTÓ GOMB

Megdönti a fűrészasztalt a ferde síkú vágáshoz.

### TÁRCSAVÉDŐ

Megvédi a kezelőt a fűrészszalag megérintésétől.

### SZALAGVEZETŐ BEÁLLÍTÓ GOMBJA

Használja a szalagvezető beállító gombját, hogy felfelé vagy lefelé állítsa a szalagvezetőt és megakadályozza a fűrészszalag csavarodását vagy törését. A szalagfűrész bekapcsolása előtt mindig rögzítse a szalagvezető szerkezetet.

### SZALAGVEZETŐK

A felső és alsó szalagvezető akadályozza meg a fűrészszalag csavarodását működés közben.

### PORELSZÍVÓ CSATLAKOZÓ

Egy 53 mm-es (2-1/8") porelszívó csatlakozó teszi lehetségessé a pormentés vágást. Csatlakoztasson egy porzsákot (nem tartozék) vagy egy műhelyi porszívót a porelszívó csatlakozóhoz.

### BURKOLATRÖGZÍTŐ CSAVAR

Ezzel az elülső burkolat felnyitható a beállítások elvégzéséhez.

### GÉRVÁGÓ MÉRCE

A mérce a fához igazodik a keresztirányú vágáshoz. A könnyen leolvasható kijelző a pontos szöget mutatja gérvágáshoz 15°, 30°, 45° és 60° beosztásokkal.

### RAPIDSET™ SZALAGFESZESSÉG ÁLLÍTÓKAR

A szalagfeszességet szabályozza a fűrészszalagok cseréjekor és a különféle fűrészelésekhez szükséges módosítások elvégzésekor.

### FŰRÉSZLAP

A fűrészhez egy szabványos 6,35 mm (1/4") fűrészszalag tartozik.

### FŰRÉSZASZTAL TOROKLEMEZZEL

A szalagfűrész egy billenésvezérléssel ellátott fűrészasztallal rendelkezik. A toroklemez gyárilag a fűrészasztalba van építve, megfelelő résszel a fűrészszalag számára.

### SKÁLA ÉS SKÁLAJELZŐ

A skála és a skálajelző mutatja a szöget vagy fokot, amellyel az asztal meg van döntve a ferde síkú vágáshoz.

### ASZTALRÖGZÍTŐ KAR

Az asztal rögzítőkarjának kilazításával az asztal különböző szögben dönthető meg. Az asztal rögzítőkarjának megszorításával az asztal rögzíthető.

### VEZETŐGOMB

Beállítja a vezetéset, amellyel a fűrészszalag a tárcsák középpontjában tartható.

### VEZETÉSI FIGYELŐABLAK

A vezetés ablaka könnyebben láthatóvá teszi a vezetési módosítások eredményét.

### NYOMÓPÁLCA

A munkadarab adagolásához mindig használja a tolórudat, amíg az el nem hagyja az asztalt.



## Magyar (Az eredeti útmutató fordítása)

### MOZGATHATÓ ALKATRÉSZEK LISTÁJA

Leírás	Menny
Alátétek	7
Asztalrögzítő kar	1
Imbuszkulcs , 3 mm	1
Imbuszkulcs , 4 mm	1
Imbuszkulcs , 5 mm	1
Gérvágó mérce	1
Acorn anyák	4
Lábak	4
Fűrészasztal	1
Reteszelőcsapok	2
Hatlapú anyák	2
Hosszabbító támasz	1
Párhuzamvezető	1
Nyomópálca	1
Használati utasítás	1

### ÖSSZESZERELÉS

#### KICSOMAGOLÁS

A terméket össze kell szerelni.

- Óvatosan emelje ki a terméket a dobozból és helyezze egy vízszintes munkafelületre.

#### ▲ FIGYELEM

Ne használja ezt a terméket, ha a Különálló alkatrészek listáján levő bármelyik alkatrész már fel van szerelve a termékre a kicsomagolásakor. Az ezen a listán lévő alkatrészeket a gyártó nem szereli fel a termékre, ezeket az ügyfélnek kell felszerelnie. A nem megfelelően összeszerelt termék használata súlyos személyi sérüléshez vezethet.

- Ellenőrizze gondosan az eszközt, ellenőrizze, hogy nem volt-e törés vagy sérülés a szállítás során. **MEGJEGYZÉS:** A fűrészelt kilazított fűrészszalaggal szállítják. Csak a szalagfeszesség megfelelő beállítását követően kapcsolja be a fűrészelt.
- Csak az eszköz gondos átvizsgálását és a termék megfelelő üzemeltetését követően dobja el a csomagolóanyagot.

- Ha hiányzik vagy megrongálódott egy alkatrész, hívja fel a legközelebbi hivatalos szervizközpontot.

#### ▲ FIGYELEM

Ha valamelyik alkatrész sérült vagy hiányzik, ne működtesse a terméket, amíg az alkatrészt ki nem cseréli. Ha a terméket sérült vagy hiányzó alkatrészekkel működteti, súlyos személyi sérülést okozhat.

#### ▲ FIGYELEM

Ne próbálja átalakítani a szerszámot, sem pedig olyan kiegészítőket alkalmazni, amelyeknek szerszámmal való használata nem javasolt. Az ilyen módosítás vagy megváltoztatás helytelen használatnak minősül és veszélyes körülményeket eredményezhet, amelyek komoly személyi sérüléshez vezethetnek.

#### ▲ FIGYELEM

A tápellátást csak a teljes összeszerelést követően csatlakoztassa a termékhez. Ennek figyelmen kívül hagyása véletlenszerű elindítást és esetleg súlyos személyi sérülést okozhat.

### A TERMÉK FELSZERELÉSE A MUNKAPADRA

Ha a terméket egy állandó helyen fogják használni, akkor szerelje egy szilárd felületre, például egy munkapadra. Erre a célra négy csavarhely van kialakítva a fűrész talpán. A csavarok (nem tartozék) kellő hosszúságúak legyenek ahhoz, hogy átérjék a fűrész talpát, a biztosító alátéteket (nem tartozék), hatlapú anyákat és a munkalap vastagságát. Húzza meg mind a négy csavart.

A szerelés után gondosan ellenőrizze a munkapadot, hogy biztosan ne mozduljon el a használat során. Ha bármilyen billenést, csúszást, elmozdulást vesz észre, rögzítse a munkapadot a padlóhoz mielőtt működtetné a terméket.

- Helyezze a terméket a munkapadra. A fűrész talpát mintaként használva jelölje meg a lyukakat, ahova a terméket felszereli.
- Fúrja át a munkapadot.
- Helyezze a szalagfűrészelt a munkapadra, összeigazítva a fűrész talpán lévő lyukakat a munkapadra fúrt lyukakkal.
- Helyezze be a csavarokat (nem tartozék), és szorítsa meg a biztosító alátétekkel és a hatlapú anyákkal (nem tartozék). **MEGJEGYZÉS:** az összes csavart felülről kell behelyezni. Szerelje fel a biztosító alátéteket és a hatlapú anyákat pad alatt.



## Magyar (Az eredeti útmutató fordítása)

### A TERMÉK FELFOGÁSA A MUNKAPADRA

Lásd 4. ábrát.

Ha a terméket nem hordozható szerszámként fogják használni, akkor ajánlatos egy szerelőlapra rögzíteni, amelyet könnyen egy munkapadhoz vagy más felületre lehet fogni. A szerelőlap megfelelő méretű legyen, hogy a fűrész a használat során ne billenjen fel. Bármilyen 19 mm (3/4") vastagságú jó minőségű rétegelt lemez vagy forgácslap használható erre a célra.

Ha facsavarokat használnak a rögzítéshez, ezek elegendő hosszúságúak legyenek, hogy átérjenek a fűrész talpán és azon az anyagon, amelyre a fűrész felszerelik. Ha gépcsavarokat használnak a rögzítéshez, ezek elegendő hosszúságúak legyenek, hogy átérjenek a fűrész talpán és azon az anyagon amelyre felszerelik, valamint helyet kell hagyni a biztosító alátétnek és a hatlapú anyának is.

### MEGJEGYZÉS: SZÜKSÉGES LEHET BESÜLLYESZTENI A HATLAPÚ ANYÁKAT ÉS AZ ALÁTÉTEKET A SZERELŐLAP ALSÓ FELÜLETÉBE.

- Szerelje fel a fűrész talpán a szerelőlapra, ehhez használja a fűrész talpát mintaként a lyukak elhelyezkedéséhez. Keresse meg és jelölje meg a lyukakat, ahova a szalagfűrész felszereli.
- Kövesse a fentiekben leírt Termék felszerelése a munkapadra részben leírtak utolsó három lépését.

### A FÜRÉSZASZTAL FELSZERELÉSE

Lásd a 5, 7. ábrákat.

- Vegye ki a D-nyát, az alátétek és a szárnyas csavart a fűrészasztalon.
- A szalagfűrész előtt állva csúsztassa a fűrészasztalt a fűrészszalag mögé és át a nyíláson, a fűrészasztal jobb oldaláról a bal oldalra haladva.
- Miközben bal kezével tartja a fűrészasztalt, húzza el a szögállító gombot a fűrész vázától és igazítsa a fűrészasztal keretén lévő fogat a szögállító gombon lévő fogba. Engedje el a gombot.
- Illeszze a vázon lévő csapokat a fűrészasztal keretén lévő nyílásokba.
- Helyezze az alátétet az asztalrögzítő kar menetes végére. Szorítsa a fűrészasztalt a fűrész keretéhez olyan módon, hogy az asztal rögzítőkarját jobbra elfordítja.
- Csatlakoztassa a D-nyát, alátéteket és szárnyas csavart a fűrészasztalhoz.

**MEGJEGYZÉS:** A szárnyas csavar a fűrészasztal alá kerül.

### TÁMASZHOSSZABBÍTÓ FELSZERELÉSE

Lásd 6. ábrát.

- Helyezze be hátulról a támaszhosszabbító csöveit a fűrész talpán lévő lyukakba.

- Igazítsa össze a csöveken és a fűrész talpán lévő lyukakat.
- Helyezze be a reteszelőcsapokat és szorítsa meg alátétekkel és hatlapú anyákkal.

### A FÜRÉSZASZTAL ÉS A FÜRÉSZSZALAG DERÉKSZÖGBE ÁLLÍTÁSA

Lásd a 8 - 9. ábrákat.

- A szalagvezető szerkezet kioldásához forgassa el a rögzítőgombot balra. A szalagvezető beállító gombját jobbra fordítva emelje fel a szalagvezető szerkezetet, ameddig csak lehet. A rögzítéshez forgassa el a gombot jobbra.
- Helyezze a fűrészasztalon lévő kis kombinált derékszöveget a fűrészszalag mellé.
- Lazítsa meg az asztal rögzítőkarját és az asztal felfelé vagy lefelé billentéséhez forgassa el a szögbeállító gombot és igazítsa az asztalt 90°-os szögben a fűrészszalaghoz (0°-os helyzet). Szorítsa meg újra az asztal rögzítőkarját.
- Fordítsa el a beállító csavart, amíg a csavar éppen csak érinti a fűrészasztalt.
- Ellenőrizze, hogy a fűrészasztal és a fűrészszalag derékszögben áll-e. Szükség esetén állítsa be ismét.
- Állítsa a skálajelzőt nullára és szorítsa meg a csavart egy csillagcsavarhúzóval.

**MEGJEGYZÉS:** új munka előtt mindig végezzen egy tesztvágást, hogy meggyőződjön a fűrészszalag derékszögű helyzetéről. Ha ez nem derékszögben áll, szükség lehet a fűrészasztal alatti csavarok kilazítására a módosítás végrehajtásához (a gérvágó horony legyen párhuzamos a fűrészszalaggal). Amint derékszögben állnak, húzza meg a csavarokat.

### SZALAGFESZESSÉG BEÁLLÍTÁSA

Lásd a 10-11. ábrákat.

- Kapcsolja ki a terméket.
- A szalagfűrész használata előtt a feszítéshez forgassa a szalagfeszítő gombot jobbra.
- **MEGJEGYZÉS:** a szalagfeszesség módosítása bármikor lehetséges.
- A feszességállító gomb elfordítása közben pendítse meg a fűrészszalag hátsó, egyenes élét, mint egy gitárhúr.

A hang magasabbá válik, amint a feszesség növekszik. Soha ne feszítse meg a szalagot annyira, hogy teljesen összenyomja a rugót. Ha teljesen össze van nyomva, a rugó nem képes ütécscillapítóként működni.

A túlfeszített szalag eltörhet. A vastagabb munkadarabok nagyobb feszességet igényelnek; nem szükséges minden vágáshoz a maximális feszesség. A túl kis feszesség következtében a szalag elcsúszhat a tárcsákon.





## Magyar (Az eredeti útmutató fordítása)

### SZALAG VEZETÉSE

Lásd 11. ábrát.

A vezetési beállítások módosítása előtt állítsa be megfelelően a fűrészszalag feszességét. Ellenőrizze, hogy a szalagvezetők ne akadjanak a fűrészszalagba. A fogüreg (a fűrészszalag fogának legmélyebb része) az abroncs középvonalában legyen.

#### Beállítás:

Húzza ki a konnektorból. Nyissa fel az elülső borítót a borítórögzítő csavar kicsavarozásával. Figyelje meg a fűrészszalag helyzetét a felső abroncsra, amint kézzel, lassan elfordítja jobbra a felső tárcsát. Ha a fűrészszalag eltávolodik az abroncs közepétől, a vezetőt igazítani kell.

#### Ha a fűrészszalag a középponttól jobbra vagy balra mozdult el:

- Fordítsa el a szalagvezető gombot (jobbra, ha fűrészszalag balra mozdult; balra, ha a fűrészszalag jobbra mozdult), miközben a tárcsát kézzel forgatja, mindaddig, amíg a fűrészszalag visszafelé mozogva az abroncs közepére kerül.
- Ellenőrizze a fűrészszalag helyzetét az alsó abroncsra. A fűrészszalag teljesen az abroncsra kell feküdjön (a fogüreg a középpontban). Ha nem ebben a pozícióban van, akkor igazítsa a vezetőt, amíg a fűrészszalag mindkét abroncsra rajta van.
- Forgassa el a felső tárcsát kézzel jobbra még néhány fordulattal. Ellenőrizze, hogy a fűrészszalag ugyanazon a helyen maradjon-e az abroncsokon. Szükség esetén állítsa be újra, amíg fűrészszalag vezetése megfelelő lesz.
- Zárja le az elülső burkolatokat és húzza meg a burkolatrögzítő csavart.
- Kapcsolja be a terméket
- Ellenőrizze, hogy a fűrészszalag az abroncs középpontjában legyen (a vezetési figyelőablakon keresztül). Ha nem középen áll, ismételje meg a fenti lépéseket.

#### FIGYELEM

A szalagvezetők gyárilag beállítva érkeznek. Ezek a beállítások egyes alkalmazásokhoz megfelelőek. Javasoljuk, hogy a fűrész első használata előtt ellenőrizze és állítsa be a szalagvezetőket. Tekintse meg a „Vezetőcsapágyság és szalagvezető tartójának beállítása” eljárásait a használati utasítás „Beállítások” részében.

### A PÁRHUZAMVEZETŐ FELSZERELÉSE

- Helyezze a párhuzamvezetőt a fűrészasztal bal oldalára, előre néző rögzítőfogantyúval.
- A párhuzamvezető helyzetének rögzítéséhez nyomja le a rögzítőfogantyút.
- Fordítsa el a rögzítőfogantyút a bilincsek szorosságának beállításához.

### HASZNÁLAT

#### FIGYELEM

A szerszám kiismerése ne készítse figyelmének csökkentésére. Soha ne feledje, hogy egy pillanatnyi figyelmetlenség is elegendő ahhoz, hogy súlyosan megsérüljön.

#### FIGYELEM

Mindig viseljen védőszemüveget. Ennek az előírásnak a be nem tartása által a felhasználó szemébe idegen test kerülhet és ez súlyos szemsérülést okozhat.

#### FIGYELEM

Ne használjon semmilyen a gyártó által a termékhez nem ajánlott kiegészítőt vagy tartozékot. A nem előírt alkatélemek és tartozékok használata súlyos sérülésekkel járó baleseteket idézhet elő.

#### FIGYELEM

Mindig állítsa be a szalagvezető szerkezetet úgy, hogy szorosan a munkadarab mellett legyen, hogy ne érintse meg a fűrészszalagot. Ezen előírás be nem tartása súlyos testi sérüléssel járó balesetet eredményezhet.

#### FIGYELEM

Soha ne működtesse a terméket biztosított szalagvédőelem és rögzített első burkolatok nélkül. Ez ugyanis súlyos személyi sérülést okozhat.

### A SZALAGFÜRÉSZ ÜZEMELTETÉSE

A szalagfűrész alapvetően egy „görbevógó” gép, amelyet egyenes vonalú vágásokra, például keresztvágásra, gervágásra, ferde síkú vágásra, összetett vágásra és újrafűrészelésre is lehet használni. Amikor a szalagfűrész egyenes vonalú vágáshoz használja, egy vezetőlécc szerelhető fel egy megfelelő méretű fadarabnak „C” kapcsokkal az asztalhoz rögzítésével. Nem képes belső





## Magyar (Az eredeti útmutató fordítása)

vagy nem átérő vágások készítésére.

Egy vágás elkezdése előtt figyelje meg a termék működését. Ha túlzott vibrációt vagy szokatlan zajt tapasztal, azonnal hagyja abba a munkát. Kapcsolja ki a készüléket és húzza ki a konnektorból. A probléma kijavításáig ne indítsa újra.

### VÁGÁSI ELJÁRÁSOK

- A munkadarabot mindig rögzítse erősen az asztalhoz.
- Amikor a munkadarabot a fűrészszalagra adagolja, tegye ezt enyhé nyomásgyakorlással, mindkét kézzel. Ne erőltesse a munkadarabot; hagyja, hogy a fűrészszalag végezze el a vágást.
- Azt a legkisebb átmérőjű kört, amelyet a fűrészszalag vágni képes, a fűrészszalag szélessége határozza meg. Egy 6,35 mm-es (1/4") szélességű fűrészszalag által vágott kör minimális átmérője 38 mm (1-1/2").
- Tartsa a kezét távol a vágótárcsától. Ne tartson kézzel olyan apró munkadarabokat, amelyek megmunkálásakor az ujjai a fűrészszalag védőeleme alá kerülhetnek.
- Kerülje a nehézkes műveleteket és kéztartásokat, ahol egy hirtelen megcsúszás súlyos sérülést okozhat, ha megérinti a fűrészszalagot. Soha ne tegye a kezét a fűrészszalag útjába.
- Használjon külön támaszokat (asztal, fűrészbak, tömbök stb.) amikor nagy, kicsi, vagy kényelmetlen munkadarabokat vág.
- Soha ne használjon egy személyt asztalhosszabbító vagy olyan a munkadarab alátámasztásának pótlására, amely hosszabb vagy szélesebb, mint az alap fűrészasztal.
- Szabálytalan alakú munkadarabok vágásakor tervezze meg a munkát, hogy a szalag ne csipődjön be. Például egy sablondarab a fűrészasztalra kell simuljon. A munkadarabok nem csavarodhatnak, rázkódhatnak vagy csúszhatnak el vágás közben.

A munkadarab visszahúzásakor a fűrészszalag beakadhat a vágásba. Ezt általában az okozza, hogy a fűrészpor eltömíti a fűrészjáratot, vagy amikor a fűrészszalag kiugrik a vezetőkből. Ha ez fordul elő:

- Kapcsolja ki a terméket. Várja meg, amíg a fűrész teljesen megáll. Húzza ki a készüléket az áramforrásról.
- Feszítse ki a fűrészjáratot egy lapos csavarhúzóval vagy faékkal.
- Nyissa ki az előlső burkolatot és forgassa el a felső tárcsát kézzel, miközben visszafelé húzza a munkadarabot.

### HÁTRAMUNKÁLÁS

Segédvágásokat akkor végeznek, amikor egy bonyolult görbe mentén kell vágni (túl kicsi a sugár a pengéhez).

Vágja át a munkadarab egyik kieső részét a görbéig, majd óvatosan vezesse vissza a fűrészszalagot. Számos segédvágást kell ejteni a bonyolult görbék esetén, a mintázat vonalát követve, így amint ezek a szakaszok kiesnek a görbéből, „mentesítik” a fűrészszalagot a feszülés alól.

### KACSKARINGÓS VÁGÁS

Az általános kanyarító vágás esetén kövesse a mintázat vonalait egyidejűleg nyomva és elfordítva a munkadarabot. Ne próbálja meg elfordítani a fűrészszalag érintkező munkadarabot előrenyomás nélkül elfordítani – a munkadarab meghajlíthatja vagy elcsavarhatja a fűrészszalagot.

### ELAKADT ANYAG KIVÉTELE

Csak a fűrészszalag teljes leállása után vegye ki az elakadt levágott darabokat.

- Kapcsolja ki a terméket. Várja meg, amíg a fűrész teljesen megáll.
- Az elakadt anyag kivétele előtt húzza ki a terméket az áramforrásból.

### SÉRÜLÉS ELKERÜLÉSE

- Győződjön meg arról, hogy fűrész vízszintesen áll és nem inog. A fűrész mindig szilárd, vízszintes felületen álljon, bőséges térel a munkadarab kezeléséhez és megfelelő alátámasztásához.
- Csavarozza a fűrész egy alátámasztó felülethez, hogy megakadályozza az elcsúszást, elmászást, megugrást például a hosszú, nehéz deszkák vágása közben.
- Kapcsolja ki a fűrész és húzza ki a tápkábelt az áramforrásból, mielőtt a fűrész át helyezné.
- Csak a fűrészszalag teljes leállása után vegye ki az elakadt levágott darabokat.
- Válassza ki a megfelelő méretű és stílusú fűrészszalagot a tervezett munka anyagához és vágástípusához.
- Győződjön meg arról, hogy a fűrészszalag fogai lefelé, a fűrészasztal felé nézzen, a szalagvezetők, vezetőcsapágyak és a fűrészszalag feszessége megfelelően be vannak állítva és a szalagvezető gombja meg van szorítva, valamint hogy az alkatrészeknek nincs túlzott játéku.
- A balesetek elkerülése, a fűrészszalag törésének minimalizálása és a maximális szalag-alátámasztáshoz mindig állítsa be a szalagvezető szerkezetét úgy, hogy szorosan a munkadarab mellett legyen.
- Csak javasolt kiegészítőket használjon.
- A fűrész bekapcsolása előtt a munkadarab és a kapcsolódó támasztóeszközök kivételével takarítson le mindent a fűrészasztalról.





## Magyar (Az eredeti útmutató fordítása)

- Támassza alá a kerek anyagokat, például tiplirúd vagy cső, mert ezek hajlamosak a gurulásra a vágás alatt, aminek következtében a fűrészszalag „beleharap”. Ennek elkerüléséhez mindig használjon egy „V” blokkot, vagy rögzítse a munkadarabot a gérvágó mércéhez.
- Mielőtt levenné a laza darabokat a fűrészasztalról, kapcsolja ki a fűrész és várja meg, amíg minden mozgó alkatrész leáll.

### A TERMÉK BE- ÉS KIKAPCSOLÁSA

Lásd 12. ábrát.

- Nyomja meg a terméken az „I” jelet a bekapcsoláshoz.
- Nyomja meg a terméken az „O” jelet a kikapcsoláshoz.


### MIELŐTT ELTÁVOZNA A TERMÉK MELLŐL

Lásd 12. ábrát.

- Kapcsolja ki a terméket. Várja meg, amíg a fűrész teljesen megáll.
- Húzza ki a készüléket az áramforrásról.
- Tegye a műhelyt gyerekbiztosra.
- A Rapidset™ szalagfeszesség-állító karral lazítsa meg a fűrészszalag feszességét, hogy meghosszabbítsa az élettartamát.
- Zárja be a műhelyt.

### MUNKALÁMPA BE- ÉS KIKAPCSOLÁSA

Lásd 13. ábrát.

- A munkalámpa bekapcsolásához nyomja meg az „” jelet.
- A munkalámpa kikapcsolásához nyomja meg az „O” jelet.

### AZ ASZTAL MEGDÖNTÉSE

Lásd 14. ábrát.

- Oldja ki kissé az asztal rögzítógombját.
- Forgassa el a szögállító gombot, megdöntve az asztalt, amíg az a kívánt szögbe kerül.
- A skálajelző segítségével ellenőrizze a szögjelöléseket.
- Az asztal biztonságos rögzítéséhez szorítsa meg újra az asztalrögzítő gombot.

### A GÉRVÁGÓ MÉRCE HASZNÁLATA

Lásd a 15 - 16. ábrákat.

A gérvágó mércét maximálisan 60°-ra lehet jobbra vagy balra állítani.

- Lazítsa meg a gérvágó mércé rögzítógombját.
- A gérvágó mércé legyen a horonyban, fordítsa el a mércét a kívánt szög eléréséig, amit a skáláról

olvashat le.

- Szorítsa meg újra a rögzítógombot.

### A PÁRHUZAMVEZETŐ HASZNÁLATA

A párhuzamvezetőt a szálirányú vágási műveletekhez használják. Soha ne vágjon szálirányba szabad kézzel, biztonságosan rögzített párhuzamvezető nélkül.

- Állítsa a vezetőléceket a szálirányú vágás kívánt szélességéhez, és rögzítse.
- A vágás kezdete előtt ellenőrizze, hogy a vezetőléce párhuzamos-e a fűrészszalaggal. Hosszú deszkák vagy nagy panelek szálirányú vágásakor mindig használjon alátámasztást.
- Tartsa a munkadarabot a vezetőléchez és adagolja a fűrészhez egyenletes, állandó nyomással.

### BEÁLLÍTÁSOK

#### FIGYELEM

Bármilyen igazítás előtt húzza ki az eszközt az áramforrásból és kapcsolja ki a kapcsolót. Ezen figyelmeztetés figyelmen kívül hagyása súlyos személyi sérülést eredményezhet.

#### FIGYELEM

A személyi sérülések elkerüléséhez tartsa beállítva a fűrészszalag feszességét, a szalagvezetőket és a vezetőcsapágákat.

### A FÜRÉSZSZALAG FELSZERELÉSE ÉS BEÁLLÍTÁSA

Lásd 17. ábrát.

- Lazítsa meg és vegye le a szárnyas csavart, alátéteket, és a D-anyát a fűrészasztalról.
- Nyissa fel az elülső borítót a borítórögzítő csavar kicsavarozásával.
- A szalagvezető szerkezet kioldásához forgassa el a rögzítógombot balra. A szalagvezető gomb elforgatásával (jobbra forgatva megemeli a szerkezetet, balra leengedi) állítsa be a szalagvezető szerkezetet nagyjából félfútra a fűrészasztal és a fűrész háza között. Szorítsa meg újra a rögzítógombot.
- Nyissa fel a fűrészszalag védőelemét olyan módon, hogy kihúzza a védőelem bal oldalát, levéve azt a tárcsától.
- Lazítsa ki teljesen a fűrészszalag feszességét.
- Óvatosan vegye ki a régi fűrészszalagot.
- Kesztyűs kézzel tekerje ki óvatosan az új fűrészszalagot, kartávolságra tartva. Ha az új





## Magyar (Az eredeti útmutató fordítása)

szalag be van olajozva rozsdásodás ellen, szükség lehet ennek letörlésére, hogy az olaj ne kerüljön a munkadarabra. Óvatosan törölje le, abba az irányba, amelybe a fogak néznek, hogy a törőlkendő ne akadjon be a fűrészszalag fogába.

**MEGJEGYZÉS:** Lehetséges, hogy a szalagot át kell fordítani, amennyiben a fogak nem a megfelelő irányba néznek. Tartsa két kézzel a fűrészszalagot és forgassa el befelé.

- Amikor a fűrészszalag fogai balra és lefelé néznek, vezesse át a szalagot az alsó szalagvezetőkön és mindkét tárcsán.
- Lassan forgassa el kézzel a felső tárcsát jobbra, vagyis az óramutató járásával megegyező irányba, hogy a szalagot a gumibroncsok középvonalába állítsa.
- A RapidSet™ szalagfeszesség állítókkal állítsa be a szalag feszességét és ellenőrizze vagy állítsa be a szalag vezetését.
- Állítsa be a felső és alsó szalagvezetőket és a vezetőcsapágyat a jelen használati utasítás egy későbbi részében leírtak szerint.
- Helyezze fel újra a szárnyas csavart, alátéteket és a D-anyát. Erősen húzza meg.
- Zárja le a fűrészszalag védőelemét és az elülső burkolatot. Húzza meg a burkolatrögzítő csavart.

### A SZALAGVEZETŐ SZERELVÉNY BEÁLLÍTÁSA

Lásd a 18 - 19. ábrákat.

A szalag csavarodásának és törésének megakadályozásához a szalagvezető szerelvényt körülbelül 3,2 mm-re (1/8") kell a munkadarab fölé állítani.

- A szalagvezető szerkezet kioldásához forgassa el a rögzítógombot balra.
- A szalagvezető szerelvény magasságának beállításához mintaként használjon egy hulladékdarabot ugyanaból a fából, amelyet vágni készül. Állítsa be a szalagvezető szerelvényt a szalagvezető gomb elforgatásával.
- Rögzítse a szalagvezető szerelvényt a rögzítógomb jobbra forgatásával.
- A szalagfűrész bekapcsolása előtt mindig rögzítse a szalagvezető szerkezetet.

### A SZALAGVEZETŐ TARTÓ ÉS A VEZETŐCSAPÁGY BEÁLLÍTÁSA

Lásd a 20 - 21. ábrákat.

**MEGJEGYZÉS:** Húzza meg a rögzítógombot és a módosítások előtt tekintse át a „Szalagfeszesség beállítása” és a „Fűrészszalag vezetése” eljárásait, amelyek leírása a jelen használati utasítások ÖSSZESZERELÉS című részében található.

A felső és alsó szalagvezető csapágyak megtartják és vezetik a fűrészszalagot a vágási műveletek alatt. A csapágyak és vezetők beállítását más fűrészszalag felszerelésekor mindig ellenőrizni kell.

### VeZetőcsapágyak beállításA:

A vezetőcsapágyak megtartják a fűrészszalag hátsó élét a vágás alatt. A fűrészszalag nem érintkezhet a vezetőcsapágyakkal a vágás leállása után. Fontos, hogy mind a felső, mind az alsó vezetőcsapágyat egyenlő módon kell beállítani.

- Nyissa fel az elülső burkolatot és a fűrészszalag védőelemét.
- Egy imbuszkulccsal lazítsa ki a felső és alsó vezetőcsapágy-csavarokat és nyomja a vezetőcsapágyakat a fűrész hátsó része felé.
- Ellenőrizze, hogy a fűrészszalag vezetése megfelelő-e, majd csúsztassa előre a vezetőcsapágyat, amíg a csapágy 0,4 mm-re (1/64") áll a fűrészszalagtól. Szorítsa meg a vezetőcsapágy csavarját.
- Csúsztassa az alsó csapágyat előre, amíg megfelelő hézagot ér el. Szorítsa meg a vezetőcsapágy csavarját.

### A szalagvezető tartójának beállításA:

- Imbuszkulcsokkal lazítsa meg a szalagvezető tartó és a szalagvezető beállítócsavarjait.
- Csúsztassa a felső szalagvezető tartót a tengelyen, amíg a vezető elülső éle a fűrészszalaggal érintkezik a fogüreg mögött. Húzza meg a csavarokat.
- Nyomja meg a jobb vezetőt, hogy megérintse a fűrészszalagot, majd engedje el. Lassan forgassa meg a tárcsát egy teljes fordulattal. Húzza meg a szalagvezető állítócsavarokat.
- Igazítsa a bal oldali vezetőt úgy, hogy 0,4 mm-es (1/64") rés maradjon a fűrészszalag és a vezető között (körülbelül egy kártyalap vastagsága), úgy, hogy egy kártyalapot illeszt a bal oldali vezető és a fűrészszalag közé.
- Gyakoroljon nyomást a bal oldali vezető csapjára, hogy a kártyalapot pozícióban tartsa. Húzza meg a beállítócsavart és vegye ki a kártyalapot.
- Kézzel fordítsa el három teljes fordulattal a tárcsát, annak ellenőrzéséhez, hogy a fűrészszalag nem fog megakadni.
- Zárja le a fűrészszalag védőelemét és az elülső burkolatot. Rögzítse a csavarral.

Ismételje meg ezt az eljárást az alsó szalagvezető tartónál is.

### A PÁRHUZAMVEZETŐ BEÁLLÍTÁSA

- Balra forgatva lazítsa meg a rögzítőfogantyút.







## Magyar (Az eredeti útmutató fordítása)

- Állítsa a párhuzamvezetőt a kívánt állásba.
- A párhuzamvezető helyzetének rögzítéséhez nyomja le a rögzítőfogantyút.
- Fordítsa el a rögzítőfogantyút a bilincsek szorosságának beállításához.

### KARBANTARTÁS

#### FIGYELEM

Szervizeléskor csak azonos cserealkatrészeket használjon. Bármilyen más alkatrész használata veszélyes és a termék károsodását okozhatja.

#### FIGYELEM

A termék üzemeltetése alatt mindig viseljen védőszemüveget. Ha a használat poros környezetben történik, vegyen fel egy pormaszkot is.

#### FIGYELEM

Bármilyen karbantartás előtt húzza ki az eszközt az áramforrásból és kapcsolja ki a kapcsolót. Ezen figyelmeztetés figyelmen kívül hagyása súlyos személyi sérülést eredményezhet.

### ÁLTALÁNOS KARBANTARTÁS

A műanyag részek tisztításakor tartózkodjon a tisztítószerek használatától. A legtöbb műanyag érzékeny a különböző típusú kereskedelmi oldószerekre és azok használata esetén károsodhat. Egy tiszta ruhát használjon a kosz, por, olaj, kenőzsír, stb. eltávolítására.

#### FIGYELEM

A műanyag részek semmilyen körülmények között nem érintkezhetnek fékolajjal, benzinnel, petróleum alapú termékekkel, beszívódó olajokkal stb. Ezek a vegyszerek olyan vegyületeket tartalmaznak, melyek megrongálhatják, meglágyíthatják vagy lebonthatják a műanyagból készült részeket, ami súlyos testi sérüléseket is okozhat.

- Tartsa tisztán a terméket.
- Vegye ki rendszeresen a fűrészport a termék belsejéből.
- Ne hagyja, hogy kátrány gyűljön fel a fűrészszalagon, a szalagvezetőkön vagy a vezetőcsapágyakon. Tisztítsa meg rágógumi- és kátrányeltávolítóval.

- Vigyen fel autoápoló viaszt vékony rétegben a fűrészszalag tetejére, hogy a fa könnyen csússzon a vágás alatt.

### Kenés

A szerszámban lévő összes csapágy a gép teljes élettartamára elegendő kenőanyaggal van feltöltve, normál körülmények közötti használat esetén. Ebből kifolyólag nincs szükség arra, hogy a gép belső részeit kenje.

### ABRONCSOK

#### Az abroncsok tisztítása:

- A kátrány és a fűrészpor felgyűlik az abroncsokon. Ezt egy finom drótkéffel vagy egy darab fával kell megtisztítani. **Ne használjon éles kést vagy oldószert.**

#### Abroncsok cseréje:

- Nyissa fel az előlső burkolatot és vegye ki a fűrészszalagot. Tekintse meg A fűrészszalag felszerelése és beállítása című részt.
- Óvatosan fejtse le az elhasználódott abroncsot a tárcsáról.
- Húzza az új abroncsot a tárcsa köré.
- Szerelje vissza a fűrészszalagot és zárja le az előlső burkolatot.

### KEFE

Lásd 22. ábrát.

A kerék mellett, a fűrész házában egy kefe található. Ez megvédi az abroncsot, lesöpörve róla a fűrészport. Amikor a kefe elhasználdódik, újra beállítani vagy cserélni kell azt.

- Csavarja ki a csavart és vegye le az alátétet, majd húzza ki a kefét.
- Helyezze be az új kefét a horonyba.
- Szerelje be az alátétet és a csavarral.

### SZÁLLÍTÁS ÉS TÁROLÁS

Lásd a 23 - 24. ábrákat.

- A termék szállításakor húzza ki azt a konnektorból, engedje le a fűrészszalag védőelemét és szerelje le a terméket. A tolrudat tárolja a felső ház oldalán. Az ábra szerint emelje meg a terméket, a felső háznál fogva. Gyerekektől elzárt helyen tárolja a terméket.
- Tárolás előtt egy kefével vagy porszívóval tisztítsa meg a terméket.



## Magyar (Az eredeti útmutató fordítása)

### KÖRNYEZETVÉDELEM



Segítse elő az alapanyagok újrahasznosítását azzal, hogy nem helyezi el őket a háztartási szemétkben. Környezetvédelmi megfontolásból az elhasználódott gépet és tartozékokat, valamint a csomagolóanyagokat szelektív módon kell gyűjteni.

### SZIMBÓLUM



Biztonsági figyelmeztetés



CE megfelelés



Kérjük, olvassa át gondosan ezt az útmutatót a termék beindítása előtt.



Viseljen szemvédőt



Viseljen fülvédőt



**VESZÉLY!** Éles fűrészlap.



Retesz



Szétnyitás



Legnagyobb vágási mélység



Legnagyobb vágási szélesség



Legnagyobb vágási szög



Működési sebesség



Vágótárcsa mérete



Karbantartás előtt válassza le a szerszámot a tápellátásról.



A kiselejtezett elektromos termékeket nem szabad a háztartási hulladékkal együtt kidobni. Ezeket újra kell hasznosítani, ha van rá lehetőség. Az újrahasznosítással kapcsolatban érdeklődjön a helyi önkormányzatnál vagy a termék forgalmazójánál.



## Magyar (Az eredeti útmutató fordítása)

### HIBAELHÁRÍTÁS

Probléma	Lehetséges ok	Megoldás
A motor nem működik	<ol style="list-style-type: none"> <li>1. Probléma a be-kikapcsolóval vagy a tápkábellel.</li> <li>2. Hibás motor.</li> <li>3. A fűrészszalag elakad.</li> </ol>	<ol style="list-style-type: none"> <li>1. A termék újbóli használata előtt cseréltesse ki az elhasználtodott alkatrészeket.</li> <li>2. Ne próbálja megjavítani. A gépet képzett szakemberrel kell megjavíttatni.</li> <li>3. Vegye ki az elakadt anyagot.</li> </ol>
A fűrészszalag nem a felső tárcsa középvonalában fut.	<ol style="list-style-type: none"> <li>1. A vezetés nem megfelelő.</li> </ol>	<ol style="list-style-type: none"> <li>1. Állítsa be a vezetéset, tekintse meg a „Szalag vezetése” című részt a BEÁLLÍTÁSOK szakaszban.</li> <li>2. Sérülés esetén azonnal ki kell cseréltetni egy szakképzett szervizszakemberrel.</li> </ol>
A fűrészszalag lelassul a vágás alatt.	<ol style="list-style-type: none"> <li>1. A vágott sugár túl kicsi.</li> <li>2. Tompa fűrészszalag.</li> </ol>	<ol style="list-style-type: none"> <li>1. Állítsa meg az adagolást, húzza kissé vissza az anyagot, amíg a szalagfűrész felgyorsul.</li> <li>2. Cserélje a fűrészszalagot.</li> </ol>
Fűrészszalag törése.	<ol style="list-style-type: none"> <li>1. Túl nagy a fűrészszalag feszsége.</li> <li>2. A fűrészszalag ferdülését az okozza, hogy túl kis sugárban vágott vagy az anyagot túl gyorsan forgatta el a vágáskor.</li> <li>3. A vezetőcsapágók összekarcolódtak vagy nem forognak.</li> </ol>	<ol style="list-style-type: none"> <li>1. Állítsa be a feszséget. Tekintse meg a „Szalagfeszség Beállítás” című részt a BEÁLLÍTÁSOK szakaszban.</li> <li>2. Alkalmazzon megfelelő vágási módszert. Tekintse meg az Üzemeltetés című szakaszt.</li> <li>3. Cserélje a vezetőcsapágókat.</li> </ol>
a termék zajosan működik.	<ol style="list-style-type: none"> <li>1. Túl nagy a fűrészszalag feszsége.</li> <li>2. A szalagvezetők és a csapágók érintkeznek a fűrészszalaggal.</li> </ol>	<ol style="list-style-type: none"> <li>1. Állítsa be a feszséget. Tekintse meg a „Szalagfeszség Beállítás” című részt a BEÁLLÍTÁSOK szakaszban.</li> <li>2. Állítsa be a felső és alsó szalagvezetőket és csapágókat. Tekintse meg a „Vezetőcsapágók és szalagvezető tartó beállítás” eljárásait a BEÁLLÍTÁSOK szakaszban.</li> </ol>
A fűrészszalag nem vág egyenesen.	<ol style="list-style-type: none"> <li>1. A szalagvezetők és csapágók nincsenek megfelelően beállítva.</li> <li>2. A fűrészszalag elhasználtodott vagy hibás.</li> </ol>	<ol style="list-style-type: none"> <li>1. Állítsa be a felső és alsó szalagvezetőket és csapágókat. Tekintse meg a „Vezetőcsapágók és szalagvezető tartó beállítás” eljárásait a BEÁLLÍTÁSOK szakaszban.</li> <li>2. Cserélje a fűrészszalagot.</li> </ol>
A szalagvezetők nem maradnak a helyükön.	<ol style="list-style-type: none"> <li>1. A szalagvezető csavarok kilazultak.</li> </ol>	<ol style="list-style-type: none"> <li>1. Húzza meg erősen a szalagvezető csavarokat.</li> </ol>
A motor működik, de a fűrészszalag nem forog	<ol style="list-style-type: none"> <li>1. A feszség nincs megfelelően beállítva.</li> <li>2. Az ékszíj elszakadt.</li> </ol>	<ol style="list-style-type: none"> <li>1. Állítsa be a feszséget a fűrészszalag feszségszabályozó karjával.</li> <li>2. Sérülés esetén azonnal ki kell cseréltetni egy szakképzett szervizszakemberrel.</li> </ol>



**Română (Traducere din versiunea originală a instrucțiunilor)****DESCRIERE**

- |  |  |
|--|--|
| 1. Buton de ajustare a tensionării lamei     | 53. Piedică                                  |
| 2. Șurub de blocare a capacului              | 54. Rulment de presiune                      |
| 3. Fereastră de urmărire a centrării lamei   | 55. Șurub pentru rulmentul de presiune       |
| 4. Lampă de lucru                            | 56. Șurub pentru suportul ghidajului lamei   |
| 5. Protecție lamă                            | 57. Suport pentru ghidajul superior al lamei |
| 6. Lama ferăstrăului                         | 58. Ghidaj lamă                              |
| 7. Mitră cu scală gradată                    | 59. Șurub pentru reglare ghidaj lamă         |
| 8. Conector pentru evacuarea prafului        | 60. Șurub ghidaj lamă                        |
| 9. Indicator înclinare                       | 61. Suport pentru ghidajul inferior al lamei |
| 10. Buton rotativ de ajustare a unghiului    | 62. Perie                                    |
| 11. Scală                                    | 63. Șaibă                                    |
| 12. Manetă de blocare a mesei                | 64. Șuruburi                                 |
| 13. Buton rotativ de blocare                 | 65. Bandă de cauciuc                         |
| 14. Buton de ajustare a ghidajului lamei     |  |
| 15. Manetă de tensionare a lamei             |  |
| 16. Placă pentru gâtul mesei                 |  |
| 17. Buton de ajustare                        |  |
| 18. Întrerupător pornire/oprire              |  |
| 19. Masă de tăiere                           |  |
| 20. Capac frontal inferior                   |  |
| 21. Capac frontal superior                   |  |
| 22. Riglă de ghidare                         |  |
| 23. Comutator lampă de lucru                 |  |
| 24. Împingător                               |  |
| 25. Șurubelniță cu cap cruce (neinclus)      |  |
| 26. Cheie reglabilă (neinclus)               |  |
| 27. Vinclu reglabil mic cu nivelă (neinclus) |  |
| 28. Cheie hexagonală , 3 mm                  |  |
| 29. Cheie hexagonală , 4 mm                  |  |
| 30. Cheie hexagonală , 5 mm                  |  |
| 31. Șaibă                                    |  |
| 32. Piulițe cu capac                         |  |
| 33. Șaibe                                    |  |
| 34. Picioare                                 |  |
| 35. Șuruburi de blocare                      |  |
| 36. Piulițe hexagonale                       |  |
| 37. Extensie de sprijin                      |  |
| 38. Orificii în baza fierăstrăului           |  |
| 39. Piuliță semirotundă                      |  |
| 40. Șurub fluture                            |  |
| 41. Suport dispozitiv de înclinare           |  |
| 42. Ansamblu ghidaje lamă                    |  |
| 43. Șurub de reglare                         |  |
| 44. Sens de reducere tensionare              |  |
| 45. Sens de creștere tensionare              |  |
| 46. Buton rotativ de blocare                 |  |
| 47. Canal pentru fixarea mitrei gradate      |  |
| 48. Șuruburi cu cap cruce                    |  |
| 49. Volanta superioară                       |  |
| 50. Ghidaje inferioare pentru lamă           |  |
| 51. Volanta inferioară                       |  |
| 52. Deblocare                                |  |





## Română (Traducere din versiunea originală a instrucțiunilor)

La proiectarea fierăstrăului dvs. cu bandă s-au avut în vedere în primul rând siguranța, performanța și fiabilitatea în exploatare.

### DOMENIU DE APLICAȚII

Fierăstrăul cu bandă este destinat tăierii în linie dreaptă, sinusoidale și circulare a produselor din lemn masiv și din lemn aglomerat.

Produsul trebuie utilizat doar de operatori adulți, care au citit manualul de instrucțiuni și înțeleg riscurile și pericolele de accidentare.

Fierăstrăul va fi folosit în condiții uscate, cu lumină ambientală excelentă și aerisire corespunzătoare.

Produsul este destinat pentru uz comercial și trebuie folosit doar așa cum este descris mai sus și pentru niciun alt scop.

### AVERTISMENTE GENERALE PRIVIND SIGURANȚA

#### AVERTISMENT

Atunci când utilizați unelte electrice, întotdeauna trebuie luate minime măsuri de siguranță pentru a reduce riscul producerii de incendii, șocuri electrice sau leziuni. Citiți toate instrucțiunile înainte de a încerca să operați produsul și păstrați aceste instrucțiuni.

- **Păstrați curățenia la locul de muncă.** Zonele și bancurile de lucru dezordonate favorizează accidente.
- **Țineți cont de mediul de lucru.** Nu expuneți uneltele la ploaie. Nu utilizați uneltele în locuri umede sau cu apă. Păstrați spațiul de lucru bine luminat. Nu utilizați uneltele în prezența lichidelor sau a gazelor inflamabile.
- **Protecție împotriva electrocutării.** Evitați contactul corpului cu suprafețele conectate la pământ sau la masă (de ex. conducte, radiatoare, mașini de gătit, frigider).
- **Nu lăsați alte persoane să se apropie.** Nu lăsați persoanele, în special copii, să se implice în lucrare, să atingă unealta sau cablul prelungitor și nu le permiteți să se apropie de zona de lucru.
- **Depozitați uneltele inactivate.** Când nu este utilizată, unealta trebuie depozitată într-un loc uscat prevăzut cu încuietoare și nu trebuie lăsată la îndemâna copiilor.
- **Nu forțați unealta.** Acesta va realiza operația mai bine și mai sigur, la viteza pentru care a fost conceput.
- **Utilizați unealta potrivit.** Nu utilizați uneltele cu capacitate mică pentru lucrări destinate uneltelor cu

capacitate mare. Nu utilizați uneltele pentru alte scopuri decât cele destinate, de exemplu, nu utilizați ferăstrăul circular pentru a tăia crengi sau trunchiuri de copac.

- **Îmbrăcați-vă corespunzător.** Nu purtați haine prea largi sau bijuterii, acestea pot fi prinse în piesele mobile. Când lucrați afară este recomandată încălțăminte anti-alunecare. Purtați protecție care acoperă părul, pentru a proteja părul lung.
- **Utilizați echipament de protecție.** Utilizați ochelari de protecție. Utilizați o mască de gaze sau o mască anti-praf, dacă se creează praf în timpul lucrărilor.
- **Conectați echipamentul de extracție a prafului.** Dacă unealta este prevăzută pentru conectarea echipamentului de extracție și de colectare a prafului, asigurați-vă că acestea sunt conectate și utilizate corect.
- **Nu forțați cablul.** Nu trageți niciodată de cablu pentru a-l deconecta de la priză. Țineți cablul la distanță de căldură, ulei și muchiile ascuțite.
- **Securizați lucrarea.** Când este posibil, utilizați dispozitive de fixare sau o menhină pentru a fixa piesa de lucru. Este mai sigur decât să vă utilizați mâinile.
- **Nu vă întindeți excesiv.** În timpul operării dispozitivului, păstrați-vă în permanență echilibrul și stabilitatea.
- **Întrețineți unealta cu grijă.** Păstrați uneltele de tăiere ascuțite și curate, pentru performanță mai bună și mai sigură. Urmați instrucțiunile pentru lubrifierea și schimbarea accesoriilor. Verificați cablurile uneltei periodic și, dacă sunt deteriorate, acestea trebuie reparate de un centru de service autorizat. Inspectați cordonul de record în mod periodic și înlocuiți-le dacă sunt deteriorate. Păstrați mânerul uscat, curat și fără pete de ulei și vaselină.
- **Deconectați uneltele.** Când nu sunt utilizate, înainte de revizie și când schimbați accesoriile, precum lame, burghie și cuțite, deconectați uneltele de la alimentarea electrică.
- **Îndepărtați cheile de reglare.** Formați-vă obiceiul de a verifica dacă ați scos toate cheile și duliile de reglare din unealtă înainte de pornirea acesteia.
- **Evitați pornirea accidentală.** Asigurați-vă că comutatorul este în poziția "off" (oprit) la conectarea la priza electrică.
- **Utilizați cabluri prelungitoare pentru exterior.** Când unealta este utilizată în exterior, utilizați doar cabluri de prelungire destinate pentru exterior și marcate corespunzător.
- **Fiiți vigilenți.** Fiiți atenți la ceea ce faceți, acționați cu simț practic și nu folosiți unealta atunci când sunteți obosiți.
- **Verificați părțile deteriorate.** Înainte de utilizarea



## Română (Traducere din versiunea originală a instrucțiunilor)

uneltei, aceasta trebuie verificată cu atenție, pentru a determina dacă va funcționa corect și dacă își va îndeplini funcția destinată. Verificați alinierea pieselor mobile, lipirea pieselor mobile, spargerea pieselor, montarea și orice alte stări care pot afecta funcționarea acestora. O protecție sau altă piesă care este deteriorată trebuie reparată sau înlocuită în mod corect de un centru de service autorizat, dacă nu se indică altfel în acest manual de instrucțiuni. Comutatoarele defecte trebuie înlocuite de un centru de service autorizat. Nu utilizați unealta, în cazul în care comutatorul nu o poate porni și opri.

- **Avertisment.** Utilizarea oricărui accesoriu sau dispozitiv atașabil, cu excepția celor care sunt recomandate de acest manual de instrucțiuni poate prezenta risc de vătămare corporală.
- **Unealta trebuie reparată de o persoană calificată.** Această unealtă electrică respectă regulile de siguranță relevante. Reparațiile trebuie efectuate doar de persoane calificate, utilizând piese de schimb originale, în caz contrar există pericole considerabile pentru utilizator.

### AVERTISMENTE DE SIGURANȚĂ PENTRU FIERĂSTRĂUL CU BANDĂ

- **Fixați ferm cu cleme sau șuruburi de fixare echipamentul pe bancul de lucru sau pe un suport cu picioare, la înălțimea șoldului.**
- **Nu utilizați niciodată produsul la nivelul solului.**
- **Evitați operațiile improprii și pozițiile mâinilor în care o alunecare bruscă să provoace contactul mâinii dvs. cu lama.** Asigurați-vă întotdeauna că aveți un echilibru bun.
- **Lăsați motorul să ajungă la turația maximă înainte de tăiere pentru a evita blocarea în material sau oprirea.**
- **Nu utilizați scula dacă întrerupătorul nu funcționează.** Comutatoarele defecte trebuie înlocuite de un centru de service autorizat.
- **Piese de schimb.** Toate reparațiile de natură electrică sau mecanică trebuie efectuate de un tehnician calificat, la un centru de reparații autorizat.
- **Atunci când efectuați proceduri de service, utilizați doar piese de schimb identice.** Utilizarea altor piese poate crea situații periculoase sau poate conduce la deteriorarea produsului.
- **Țineți mâinile la distanță de zona de tăiere.** Nu țineți cu mâna de piesele prea mici care permit ca degetele dvs. să ajungă sub nivelul protecției pentru lamă. Nu apropiați în niciun caz mâinile și degetele sub piesa de prelucrat sau de calea de tăiere a pânzei.
- **Nu tăiați mai multe piese odată și nu depozitați simultan mai multe piese pe masa fierăstrăului.**
- **Nu avansați materialul la tăiere prea rapid.** Nu forțați materialul spre lamă.
- **Utilizați doar lamele corecte.** Utilizați o dimensiune și un profil ale lamei adecvate pentru tipul de material și tipul de tăiere. Sensul de tăiere al dinților lamei trebuie să fie către masa de tăiere.
- **Sprîjiniți întotdeauna bucățile de lemn de dimensiuni mari pentru a minimiza riscul de flambare și recul.** Lama de tăiere poate aluneca, se poate deplasa sau aluneca la tăierea plăcilor de lemn de dimensiuni mari sau a celor grele.
- **Nu îndepărtați piesele blocate în lamă până ce aceasta nu s-a oprit complet.**
- **Nu folosiți benzi de fierăstrău deteriorate sau deformat.**
- **Înlocuiți inserția uzată a mesei.**
- **Conectați ferăstrăul la un colector de praf când tăiați lemn.**
- **Nu utilizați produsul cu capacul de protecție a lamei deschis.**
- **Alegeți tipul lamei și viteza de tăiere în funcție de materialul debitat.**
- **Nu curățați banda fierăstrăului în mișcare.**
- **Purtați mănuși când manevrați banda de tăiere și materiale cu asperități.**
- **Utilizați o baghetă pentru a împinge bucățile de lemn de dimensiuni mici la tăierea dreaptă folosind ghidajul.**
- **Transportați produsul cu protecția lamei coborâtă complet la nivelul mesei.**
- **Plasați rigla de ghidare pe partea de jos a mesei când tăiați la unghi cu masa înclinată.**
- **Utilizați un dispozitiv de prindere adecvat când tăiați lemn rotund sau cu forme neregulate pentru a preveni rotația piesei.**
- **Nu țineți de protecțiile lamei la manipulare sau transport**
- **Ajustați protecția reglabilă a lamei la o distanță cât mai mică față de piesa în lucru.**
- **Nu atingeți niciodată lama sau alte părți mobile în timpul utilizării.**
- **Înainte de a face reglaje necesare și de a îndepărta capacele, ghidajele sau banda de tăiere, deconectați fierăstrăul de la sursa de alimentare.**
- **Apăsați întotdeauna piesa de prelucrat ferm pe masă.**
- **Pentru a evita contactul accidental cu lama, a reduce riscul de deteriorare a acesteia și a asigura sprijin maxim, reglați întotdeauna ansamblul de ghidare a lamei cât mai aproape de piesa prelucrată.**
- **Păstrați pânzele curate, ascuțite și setate suficient.**



## Română (Traducere din versiunea originală a instrucțiunilor)

Pânzele ascuțite minimizează blocarea și reculul.

- **Opriiți întotdeauna ferăstrăul înainte de a-l deconecta, pentru a evita pornirea accidentală la reconectarea la alimentarea electrică.**
- **Înainte de a efectua orice fel de lucrare utilizând ferăstrăul, asigurați-vă că zona de lucru dispune de o iluminare puternică pentru a vedea lucrarea și că niciun fel de impedimente nu interferează cu operarea în siguranță.**
- **Ghidajele lamei au fost reglate din fabrică.** Aceste reglaje pot fi folosite pentru anumite tipuri de operații. Vă recomandăm să verificați și să ajustați reglajele ghidajelor înainte de prima utilizare a ferăstrăului. Consultați procedurile din capitolul "Reglarea rulmenților de presiune și a ghidajelor pentru lamă" explicate în secțiunea REGLAJE din acest manual.
- **Nu utilizați echipamentul pentru tăierea pieselor din metal.**
- **Această unealtă trebuie să prezinte următoarele marcaje:**
  - Purtați echipamente de protecție a vederii
  - Țineți mâinile departe de lamă.
  - Nu îndepărtați piesele blocate în lamă până ce aceasta nu s-a oprit complet.
  - Asigurați-vă că banda de tăiere este montată cu sensul de tăiere al dinților în jos.
  - Reglați adecvat tensionarea lamei, ghidajele pentru lamă și rulmenții de presiune.
  - Reglați ghidajele superioare ale lamei cât mai aproape de piesa în lucru.
  - Apăsăți piesa de prelucrat ferm pe masă.
- **Dacă cordonul de alimentare electrică este deteriorat, acesta trebuie înlocuit de către producător sau de către un centru de service autorizat pentru a evita riscurile.**
- **Păstrați aceste instrucțiuni.** Consultați-le frecvent și folosiți-le pentru a instrui alți utilizatori. Dacă împrumutați această sculă unei alte persoane, împrumutați-i de asemenea și aceste instrucțiuni.

### ASPECTE ELECTRICE

#### CORDOANELE DE RACORD

Utilizați doar cabluri de racord cu 3 fire care dispune de fișe cu împământare cu 3 știfturi și prize de curent cu 3 poli care acceptă fișa produsului. Atunci când utilizați o unealtă electrică la o distanță considerabilă de sursa de alimentare, utilizați un cordon de racord suficient de rezistent pentru a permite transportul curentului necesar operării uneltei. Un cordon de racord cu o dimensiunea mai mică decât cea necesară va cauza o căderea în tensiunea de linie, rezultând într-o pierdere de energie și

conducând la supraîncălzirii motorului.

Înainte de utilizarea unui prelungitor pentru cablul de alimentare, inspectați-l pentru a nu prezenta fire expuse sau slăbite și izolație crăpată sau cu tăieturi.

#### **▲ AVERTISMENT**

Îndepărtați prelungitorul de zona de lucru. Poziționați cablul de alimentare, astfel încât să nu fie prins pe lemn, unelte sau alte obstacole în timp ce lucrați cu o unealtă electrică. Nerespectarea acestei măsuri poate avea ca rezultat răniri corporale grave.

#### **▲ AVERTISMENT**

Verificați cordoanele de racord înainte de fiecare utilizare. În caz de deteriorare înlocuiți imediat. Nu utilizați niciodată unealta cu un cordon deteriorat, deoarece atingerea zonei deteriorate poate cauza șoc electric ce poate conduce la rănirea gravă.

#### CONEXIUNEA ELECTRICĂ

Acest produs are încorporat un motor electric de precizie. Trebuie conectat doar la o sursă de alimentare de 220~240V, c.a. (curentul menajer obișnuit), 50 Hz. Nu utilizați acest produs la curent continuu (c.c.). O cădere substanțială de tensiune va conduce la o pierdere de putere, iar motorul se va supraîncălzi. Dacă aparatul nu funcționează când este conectat la priză, verificați dacă o dată sursa de alimentare.

#### VITEZĂ ȘI CABLAJ

Viteza de deplasare a lamei la liber este de aproximativ 11 m/s. Această viteză nu este constantă și se micșorează în prezența unei sarcini sau a unei tensiuni mai reduse. Din punct de vedere electric, cablurile din atelier sunt la fel de importante ca și parametrii electrici ai motorului. O linie destinată exclusiv iluminatului nu poate suporta în mod corespunzător motorul unei scule electrice. Firul care este suficient de rezistent pentru o distanță scurtă îi va lipsi rezistența pentru o distanță mai lungă. Este posibil ca o linie ce suportă o sculă electrică să nu suporte două sau trei scule.

#### INSTRUCȚIUNI PRIVIND ÎMPĂMÂNTAREA

Acest produs trebuie împământat. În cazul unei defecțiuni sau avarii, împământarea asigură o cale rezistență minimă pentru curentul electric, reducând astfel riscul producerii de șocuri electrice. Acest produs este echipat cu un cordon electric care dispune de un conductor împământat și o fișă de legare la masă. Fișa trebuie conectată la o priză corespunzătoare care trebuie să fi e instalată și împământată conform codurilor și ordonanțelor locale.

Nu modificați cați și fișa furnizată. În cazul în care nu se





## Română (Traducere din versiunea originală a instrucțiunilor)

potrivește în priză, asigurați-vă că priza este instalată de către un electrician calificat. Reparați sau înlocuiți imediat un cablu deteriorat sau uzat.

### RISCURI REZIDUALE

Chiar dacă produsul este folosit așa cum este descris, este totuși imposibil să se elimine complet anumiți factori de risc reziduali. Următoarele pericole ar putea apărea în timpul folosirii iar operatorul trebuie să acorde o atenție specială pentru a evita următoarele:

- Recul a pieselor de lucru și a părților pieselor de lucru datorită reglării și manipulării incorecte.
- Deteriorare a sistemului respirator.  
**NOTĂ:** Purtați mască de protecție a respirației conținând filtre corespunzătoare cu materialele ce vin prelucrate. Asigurați aerisire adecvată la locul de muncă. Nu mâncați, beți sau fumați în zona de lucru.
- Afecțiuni ale auzului, dacă nu este purtată protecție pentru auz.

### CUNOAȘTEȚI-VĂ PRODUSUL.

A se vedea figura 1.

Utilizarea în siguranță a acestui produs necesită înțelegerea informațiilor cu privire la produs și din manualul de operare, precum și o cunoaștere a proiectului pe care îl realizați. Înainte de a folosi mașina, familiarizați-vă cu toate funcționalitățile și specificațiile acesteia cu privire la siguranță.

### BUTON ROTATIV DE AJUSTARE A UNGHILUI

Înclinarea mesei pentru tăierea la unghi.

### PROTECȚIE LAMĂ

Protejează operatorul de contactul cu lama.

### BUTON DE AJUSTARE A GHIDAJULUI LAMEI

Utilizați butonul rotativ de reglare a ghidajului lamei pentru a deplasa ansamblul de ghidaj în sus sau în jos și pentru a evita ca lama să se răsucească sau să se rupă. Întotdeauna blocați ansamblul de ghidare pe poziție înainte de a porni fierăstrăul cu bandă.

### GHIDAJE PENTRU LAMĂ

Ghidajele superioare și inferioare pentru lamă nu permit răsucirea acesteia în timpul tăierii.

### CONECTOR PENTRU EVACUAREA PRAFULUI

Un conector de 53 mm (2-1/8") pentru evacuarea prafului permite tăierea fără producerea de praf în zona de tăiere. Atașați un sac pentru praf (nu este inclus) sau un aspirator la conectorul de evacuare a prafului.

### ȘURUB DE BLOCARE A CAPACULUI

Întotdeauna efectuați reglajele cu capacul frontal deschis.

### MITRĂ CU SCALĂ GRADATĂ

Acest indicator aliniază lemnul pentru tăiere transversală. Indicatorul vizibil arată unghiul de tăiere exact pentru tăierea cu mitra la 15°, 30°, 45° și 60°.

### MANETĂ DE TENSIONARE A LAMEI RAPIDSET™

Controlează tensionarea lamei la schimbarea acesteia și permite reglarea pentru diferitele tipuri de tăiere.

### LAMA FERĂSTRĂULUI

Fierăstrăul vine echipat cu o lamă standard de 6,35 mm (1/4").

### MASA DE TĂIERE CU PLĂCUȚA PENTRU TRECEREA LAMEI

Fierăstrăul dvs. cu bandă este echipat cu o masă de tăiere cu reglaj al înclinării. Plăcuța pentru trecerea lamei, montată pe masa de tăiere din fabrică, permite deplasarea liberă a lamei de tăiere.

### SCALA GRADATĂ ȘI INDICATORUL ACESTEIA

Scala gradată și indicatorul acesteia arată unghiul de înclinare al mesei de tăiere la tăierea în unghi.

### MANETĂ DE BLOCARE A MESEI

Slăbirea manetei de blocare a mesei permite înclinarea acesteia la diferite unghiuri. Strângerea manetei de blocare fixează masa de tăiere în poziția dorită.

### BUTON DE AJUSTARE

Reglează centrarea pentru a menține lama centrată pe volante.

### FEREASTRĂ DE URMĂRIRE A CENTRĂRII LAMEI

Fereastra de urmărire a centrării permite vizualizarea reglajului.

### ÎMPINGĂTOR

Utilizați întotdeauna o baghetă pentru a împinge piesa în lucru până când este tăiată complet.

### LISTA PIESELOR NEFIXATE

Descriere	Cant
Șaibe	7
Manetă de blocare a mesei	1
Cheie hexagonală , 3 mm	1





## Română (Traducere din versiunea originală a instrucțiunilor)

Cheie hexagonală , 4 mm	1
Cheie hexagonală , 5 mm	1
Mitră cu scală gradată	1
Piulițe cu capac	4
Picioare	4
Masă de tăiere	1
Șuruburi de blocare	2
Piulițe hexagonale	2
Suport extensie	1
Riglă de ghidare	1
Împingător	1
Manualul operatorului	1

### ASAMBLAREA

#### DEZAMBALAREA

Acest produs necesită asamblare.

- Ridicați cu atenție produsul din ambalaj și așezați-l pe o suprafață de lucru plană.

### ⚠ AVERTISMENT

Nu utilizați produsul dacă oricare dintre piesele din lista de piese detașate este deja montată pe acesta la scoaterea din ambalaj. Piesele din această listă nu sunt montate de producător și necesită instalarea lor de către client. Utilizarea unui echipament montat incorect poate duce la răniri personale grave.

- Inspectați produsul cu atenție pentru a nu prezenta deteriorări sau defecte în urma expedierii. **NOTĂ:** Acest fierăstrău este livrat cu lama de tăiere netensionată. Nu porniți fierăstrăul înainte de a tensiona adecvat lama de tăiere.
- Nu aruncați ambalajul produsului decât după ce l-ați verificat optic și funcțional.
- Dacă descoperiți piese defecte sau lipsă, sunați la centrul de service pentru asistență.

### ⚠ AVERTISMENT

Dacă există piese lipsă sau deteriorate, nu utilizați produsul până ce acestea nu sunt înlocuite. Utilizarea produsului cu piese lipsă sau deteriorate poate duce la răniri personale grave.

### ⚠ AVERTISMENT

Nu încercați să modificați această unealtă sau să creați accesorii nerecomandate a fi utilizate cu aceasta. Orice astfel de alterare sau modificare reprezintă o utilizare necorespunzătoare și poate rezulta în crearea de condiții periculoase ce pot conduce la rănirea dumneavoastră gravă.

### ⚠ AVERTISMENT

Nu conectați produsul la sursa de alimentare înainte de a fi asamblat complet. Acest lucru poate duce la porniri accidentale și posibile răniri grave.

### MONTAREA PRODUSULUI PE BANCUL DE LUCRU

Dacă produsul va fi utilizat într-o locație permanentă, trebuie fixat pe un suport ferm, cum ar fi un banc de lucru. În acest scop au fost prevăzute patru găuri de fixare în placa de bază a fierăstrăului. Șuruburile de fixare (nu sunt incluse) trebuie să fie suficient de lungi pentru a permite fixarea pe banc a bazei fierăstrăului cu șaibe de blocare (nu sunt incluse) și piulițe hexagonale (nu sunt incluse). Strângeți cele patru șuruburi corespunzător.

Verificați stabilitatea bancului de lucru pentru a vă asigura că produsul nu se va mișca în timpul utilizării. Dacă bancul de lucru prezintă pericol de mișcare, alunecare sau înclinare, fixați-l în poada înainte de utilizarea produsului.

- Plasați produsul pe bancul de lucru. Folosind placa de bază a fierăstrăului ca șablon, marcați poziția celor patru găuri de fixare.
- Găuriți cele patru găuri de fixare în bancul de lucru.
- Plasați fierăstrăul cu bandă pe banc, aliniat cu cele patru găuri de fixare date în acesta.
- Inserați șuruburile de fixare (nu sunt incluse) și strângeți-le utilizând șaibe de blocare și piulițe hexagonale (nu sunt incluse). **NOTĂ:** toate capetele șuruburilor trebuie să fie în partea de sus. Montați șaibe și piulițele pe dedesubtul bancului.

### FIXAREA CU CLEME A PRODUSULUI PE BANCUL DE LUCRU

A se vedea figura 4.

Dacă produsul va fi utilizat ca instrument portabil, este recomandat să îl fixați permanent pe o placă de montaj care poate fi fixată ușor cu cleme pe bancul de lucru sau pe alte tipuri de suport. Placa de montaj trebuie să aibă dimensiuni suficient de mari pentru a evita înclinarea fierăstrăului la utilizare. Este recomandată folosirea unei plăci din PAL cu grosimea de 19 mm (3/4").

Dacă folosiți holșuruburi cu cap hexagonal pentru fixarea bazei pe placa de montaj, asigurați-vă ca au o lungime



## Română (Traducere din versiunea originală a instrucțiunilor)

suficientă pentru a intra în placa de montaj. Dacă folosiți șuruburi cu cap hexagonal pentru fixarea bazei pe placa de montaj, asigurați-vă ca au o lungime suficientă pentru a intra în placa de montaj și pentru a prelua șaibele și piulițele de fixare.

### NOTĂ: S-AR PUTEA SĂ FIȚI NEVOIT SĂ MONTAȚI ȘAIBELE ȘI PIULIȚELE DE FIXARE ÎNGROPATE ÎN PLACA DE MONTAJ.

- Folosind placa de bază a fierăstrăului ca șablon, marcați poziția celor patru găuri de fixare din placa de montaj. Localizați și marcați poziția găurilor din placa de montaj.
- Urmați ultimii trei pași din secțiunea Montarea produsului pe un banc de lucru de mai sus.

### MONTAREA MESEI DE TĂIERE A FIERĂSTRĂULUI

A se vedea figura 5, 7.

- Scoateți piulița semirotondă, șaibele și șurubul cu cap fluture de pe masa de tăiere.
- Introduceți masa de tăiere pe sub lamă, din fața fierăstrăului, și treceți-o prin slotul de fixare de la dreapta la stânga.
- Țineți masa de tăiere cu mâna stângă, trageți de butonul rotativ de reglare a unghiului în partea opusă față de cadrul fierăstrăului și aliniați dinții suportului de fixare a mesei cu dinții butonului rotativ de reglare a unghiului de înclinare. Eliberați butonul rotativ.
- Inserați bolțurile din cadru în orificiile suportului mesei de tăiere.
- Inserați șaiba pe filetul manetei de blocare a mesei de tăiere. Fixați masa de tăiere pe cadru prin strângerea în sensul acelor de ceasornic a manetei de blocare.
- Atașați piulița semirotondă, șaibele și șurubul cu cap fluture la masa de tăiere.

**NOTĂ:** Șurubul cu cap fluture se montează de jos în sus.

### MONTAJUL SUPTULUI DE EXTENSIE

A se vedea figura 6.

- Introduceți capetele țevilor suportului de extensie în orificiile din partea din spate a plăcii de bază a fierăstrăului.
- Aliniați orificiile din țevile de extensie cu cele din placa de bază.
- Introduceți șuruburile de fixare și asigurați-le cu șaibe și piulițe hexagonale.

### ALINIAREA MESEI DE TĂIERE CU LAMA

A se vedea figura 8 - 9.

- Răsuciți butonul de blocare în sens antiorar pentru a debloca ansamblul ghidajului de tăiere. Rotind butonul de reglaj al ghidajelor lamei în sens orar, ridicați ansamblul ghidajelor la maxim. Răsuciți butonul de

reglaj în sens invers pentru a bloca ghidajele.

- Plasați un vinclu pe masa de tăiere lângă lamă.
- Slăbiți maneta de blocare a unghiului de înclinare a mesei pentru a mișca masa până obțineți un unghi de 90° față de lamă (poziția de 0°). Restrângeți maneta de blocare.
- Rotiți șurubul de reglare până când șurubul atinge carcasa fierăstrăului.
- Verificați perpendicularitatea mesei față de lamă. Refaceți reglajul dacă se impune.
- Puneți indicatorul la zero și strângeți șurubul acestuia cu o șurubelniță cu cap cruce.

**NOTĂ: efectuați întotdeauna o tăiere de test pentru a vă asigura de perpendicularitatea lamei înainte de a începe un proiect nou.** Dacă tăietura nu este perpendiculară, trebuie să slăbiți șuruburile de sub masa de tăiere pentru a face reglajul (canalul pentru culisarea mitrei trebuie să fie paralel cu lama fierăstrăului). Odată ce ați obținut unghiul drept, restrângeți șuruburile.

### REGLAREA TENSIONĂRII LAMEI

A se vedea figura 10 - 11.

- Opriti produsul.
- Înainte de utilizarea fierăstrăului, răsuciți butonul rotativ de tensionare a lamei din partea de sus a fierăstrăului în sens orar pentru a tensiona lama.
- **NOTĂ:** tensionarea lamei poate fi reglată oricând.
- Ciupiți partea dreaptă a lamei ca pe o coardă de chitară în timp ce răsuciți de butonul rotativ de tensionare.

Pe măsură ce tensiunea crește, sunetul emis de lamă va deveni din ce în ce mai ascuțit. Nu tensionați niciodată lama atât de tare încât să comprimați complet arcul întinzătorului. Dacă arcul este complet comprimat, nu va mai funcționa ca amortizor de șocuri.

O tensionare prea mare poate duce la ruperea lamei. Doar tăierile în lemn de grosime mare necesită tensionare ridicată; aceasta nu este necesară pentru toate tipurile de tăieri. O tensionare prea scăzută a lamei poate duce la alunecarea acesteia pe volante.

### CENTRAREA LAMEI

A se vedea figura 11.

Reglați tensionarea lamei înainte de a face reglajele de centrare a acesteia. Verificați ca ghidajele lamei să nu apese pe aceasta. Degajarea lamei (partea cea mai adâncă din profilul dinților lamei) trebuie să fie pe centrul benzii de cauciuc a volantei.

### Pentru reglare:

Deconectați produsul de la sursa de alimentare. Deschideți capacele de protecție prin deșurubarea șuruburilor de blocare ale acestora. Urmăriți poziția lamei pe volanta





## Română (Traducere din versiunea originală a instrucțiunilor)

superioară, pe măsură ce o rotiți ușor în sens orar. Dacă lama nu stă pe centrul benzii de cauciuc a volantei, trebuie reglată centrarea acesteia.

**Dacă lama s-a deplasat în stânga sau în dreapta centrului:**

- Rotiți butonul de centrare a lamei (în sens orar dacă lama s-a deplasat spre stânga; în sens antiorar dacă s-a deplasat spre dreapta) în timp ce rotiți de volantă până când lama revine pe centrul benzii de cauciuc a volantei.
- Verificați poziția lamei pe volanta inferioară. Lama ar trebuie să fie plasată complet pe banda de cauciuc (adâncimea maximă a dinților lamei în centru). În caz contrar, refaceți reglajul până când lama este centrată pe ambele volante.
- Rotiți cu mâna de volanta superioară încă câteva ture în sens orar. Asigurați-vă că lama se menține în aceeași poziție pe volante. Refaceți reglajul, dacă este necesar, până ce lama este centrată adecvat.
- Închideți capacele de protecție frontale și strângeți șuruburile de blocare.
- Porniți produsul.
- Verificați centrarea lamei pe banda de cauciuc (prin fereastra de vizitare a centrării). Dacă nu este centrată, repetați pașii descriși anterior.

### **⚠ AVERTISMENT**

Ghidajele lamei au fost reglate din fabrică. Aceste reglaje pot fi folosite pentru anumite tipuri de operații. Vă recomandăm să verificați și să ajustați reglajele ghidajelor înainte de prima utilizare a fierăstrăului. Consultați procedurile din capitolul "Reglarea rulmenților de presiune și a ghidajelor pentru lamă" explicate în secțiunea "Reglaje" din acest manual de utilizare.

### **MONTAREA RIGLEI DE GHIDARE**

- Plasați rigla de ghidare pe partea stângă a mesei de tăiere, cu maneta de blocare spre față.
- Apăsăți în jos pe maneta de blocare pentru a fixa pe poziție rigla de ghidare.
- Răsuciți maneta de blocare pentru a regla forța de strângere a clemelor.

### **OPERAREA**

#### **⚠ AVERTISMENT**

Nu slăbiți vigilența odată ce vă simțiți familiarizat cu mașina. Nu uitați, niciodată, că o secundă de neatenție este suficientă pentru a vă răni foarte grav.

#### **⚠ AVERTISMENT**

Purtați întotdeauna ochelari de protecție. Nerespectarea acestei reguli poate antrena proiectarea de corpuri străine în ochi și poate provoca răni grave.

#### **⚠ AVERTISMENT**

Nu utilizați niciun atașament sau accesoriu care nu este recomandat de producătorul acestui dispozitiv. Utilizarea de piese sau accesorii nerecomandate poate prezenta riscuri de răni grave.

#### **⚠ AVERTISMENT**

Pentru a evita contactul cu lama, reglați rigla de ghidare la limita piesei în lucru. Nerespectarea acestei măsuri poate avea ca rezultat răni corporale grave.

#### **⚠ AVERTISMENT**

Nu utilizați niciodată produsul cu protecția lamei și capacele frontale desfăcute. O astfel de utilizare poate conduce la răni personale grave.

### **PRINCIPIUL DE FUNCȚIONARE A UNUI FIERĂSTRĂU CU BANDĂ**

Un fierăstrău cu bandă este un utilaj de "tăiere de-a lungul unei curbe" care poate fi utilizat și pentru operații de tăiere în linie dreaptă, cum ar fi tăierea perpendiculară, tăierea la unghi, tăierea în plan înclinat, tăierea combinată și corecția unei tăieturi. Când fierăstrăul cu bandă este folosit la tăieri în linie dreaptă, utilizatorul poate instala o riglă de ghidare utilizând o piesă din lemn de dimensiuni adecvate fixată de masa de tăiere cu menghine de lemn. Acest echipament nu poate face decupări interioare sau tăieturi fără ieșire.

Înainte de a începe tăierea, urmăriți funcționarea produsului. Dacă remarcați vibrații excesive sau zgomote anormale, opriți-l imediat. Opriți produsul și scoateți-l din priză. Nu-l reporniți înainte de a localiza și remedia defectiunea.





## Română (Traducere din versiunea originală a instrucțiunilor)

### PROCEDURI DE TĂIERE

- Apăsăți întotdeauna piesa de prelucrat ferm pe masă.
- Apăsăți cu blândețe piesa în lucru și utilizați ambele mâni la tăiere. Nu forțați tăierea; permiteți lamei să taie.
- Diametrul cel mai mic al unui cerc care poate fi tăiat este determinat de lățimea lamei. O lamă cu lățimea de 6,35 mm (1/4") va tăia un cerc cu diametrul minim de 38 mm (1-1/2").
- Țineți mâinile departe de lamă. Nu țineți cu mâna de piesele prea mici care permit ca degetele dvs. să ajungă sub nivelul protecției pentru lamă.
- Evitați operațiile și pozițiile anormale ale mâinilor deoarece o alunecare bruscă poate conduce la rănire gravă datorată contactului cu lama. Nu țineți niciodată mâinile în fața lamei.
- Folosiți suportți suplimentari (mese, capre, butuci, etc.) atunci când tăiați piese de dimensiuni mari sau cu forme neconvenționale
- Nu utilizați niciodată o persoană în locul unei extensii de masă sau a unui suport suplimentar pentru o piesă de lungime sau lățime mai mare decât cea a mesei de tăiere a fierăstrăului.
- Când tăiați piese cu formă neregulată, planificați tăierea în așa fel încât să nu forțați din lateral lama. De exemplu, o piesă pentru modelare trebuie să stea plan de masa de tăiere. Piesele prelucrate nu trebuie să se răsucescă, să vibreze sau să alunece în timpul tăierii.

Dacă încercați să trageți piesa înapoi din tăietură, lama se poate bloca în aceasta. Acest fenomen se datorează de obicei acumulării de rumeguș în tăietură sau ieșirii lamei de pe ghidaje. În acest caz:

- Opriti produsul. Așteptați ca fierăstrăul să se oprească complet. Scoateți produsul din priză.
- Lărgiți tăietura cu o șurubelniță cu cap drept sau cu o pană de lemn.
- Deschideți capacul superior și rotiți cu mâna de volanta superioară în timp ce trageți înapoi de bucata de lemn.

### TĂIETURILE SUPLIMENTARE DE DEGAJARE PENTRU LAMĂ

Aceste tăieturi se fac cu scopul de a efectua o tăietură a unei curbe complexe (cu raza prea mică pentru lamă). Efectuați tăietura până aproape de linia curbei de tăiat în partea nefolositoare a piesei și apoi trageți cu atenție piesa afară din lamă. Trebuie efectuate mai multe tăieturi de degajare pentru curbele complexe înainte de a efectua tăierea pe linia curbă dorită, pentru a nu solicita lateral lama la tăiere.

### TĂIEREA ÎN SPIRALĂ

Pentru tăiere după un șablon, urmați liniile șablonului prin împingerea și rotirea piesei în același timp. Nu încercați să rotiți piesa fără a efectua o mișcare de împingere - piesa prelucrată se poate bloca sau poate răsuci lama.

### ÎNDEPĂRTAREA MATERIALULUI BLOCAT

Niciodată nu încercați îndepărtarea pieselor blocate înainte de oprirea completă a lamei.

- Opriti produsul. Așteptați ca fierăstrăul să se oprească complet.
- Deconectați echipamentul de la sursa de alimentare înainte de a îndepărta materialul blocat.

### EVITAREA RĂNIRILOR

- Asigurați-vă că fierăstrăul este la nivel și nu trepidează. Fierăstrăul trebuie să fie amplasat întotdeauna pe o suprafață plană fixă, având în jur spațiu suficient pentru manevrarea și sprijinirea piesei debitate.
- Fixați cu șuruburi fierăstrăul pe suprafața de așezare pentru a preveni alunecarea, deplasarea sau patinarea în timpul operațiilor de tăiere a unor plăci de lungime și greutate mare.
- Opriti și scoateți din priză fierăstrăul înainte de mutare.
- Nu îndepărtați piesele blocate în lamă până ce aceasta nu s-a oprit complet.
- Utilizați o lamă cu o dimensiune și un profil adecvate pentru tipul de material și tipul de tăiere.
- Asigurați-vă că dinții lamei sunt orientați în jos, că ghidajele lamei, rulmenții de presiune și tensionarea lamei sunt reglate adecvat, că șurubul rotativ al ghidajului lamei este strâns și că părțile componente ale echipamentului nu au joc excesiv.
- Pentru a evita contactul accidental cu lama, a reduce riscul de deteriorare a acesteia și a asigura sprijin maxim, reglați întotdeauna ghidajul lamei la limita piesei prelucrate.
- Utilizați doar accesoriile recomandate.
- Cu excepția piesei în lucru și a dispozitivelor de sprijin aferente acesteia, îndepărtați orice altceva de pe masa de tăiere înainte de a porni fierăstrăul.
- Sprijiniți corespunzător materialele rotunde cum ar fi butucii sau tuburile, deoarece au tendința să se răsucescă în timpul tăierii, făcând ca lama să "agățe". Pentru a evita această situație, utilizați un suport în "V" sau fixați piesa cu o menghină de mână de o mîtră cu gradații.
- Înainte de a îndepărta bucățile de lemn rezultate din tăiere de pe masa de tăiere, opriti fierăstrăul și așteptați ca toate piesele în mișcare să se oprească.





## Română (Traducere din versiunea originală a instrucțiunilor)

### PORNIREA/OPRIREA ECHIPAMENTULUI

A se vedea figura 12.

- Apăsăți butonul marcat "I" pentru a porni echipamentul
- Apăsăți butonul marcat "O" pentru a opri echipamentul.

### ÎNAINTE DE A PLECA DE LÂNGĂ PRODUS

A se vedea figura 12.

- Opriti produsul. Așteptați ca fierăstrăul să se oprească complet.
- Scoateți produsul din priză.
- Asigurați atelierul împotriva accesului copiilor.
- Slăbiți tensionarea lamei utilizând maneta de tensionare Rapidset™ pentru a prelungi durata de viață a lamei.
- Încuiați atelierul.

### PORNIREA/OPRIREA LĂMPII DE LUCRU

A se vedea figura 13.

- Apăsăți comutatorul în poziția "I" pentru a porni lampa de lucru.
- Apăsăți comutatorul în poziția "O" pentru a opri lampa de lucru.

### ÎNCLINAREA MESEI DE TĂIERE

A se vedea figura 14.

- Slăbiți ușor maneta de blocare a poziției mesei.
- Rotiți butonul rotativ de reglaj al înclinării mesei până când aceasta ajunge la unghiul dorit.
- Utilizând indicatorul gradat, verificați marcajele de pe aceasta.
- Restrângeți maneta de blocare a mesei pentru a fixa masa pe poziție.

### UTILIZAREA MITREI GRADATE

A se vedea figura 15 - 16.

Unghiul de rotire al mitrei poate fi fixat într-un interval de maxim 60° spre stânga sau spre dreapta.

- Slăbiți șurubul de fixare al mitrei gradate.
- Păstrând mitra în canalul dedicat, rotiți-o până când ajungeți la unghiul dorit.
- Restrângeți maneta de blocare.

### MONTAREA RIGLEI DE GHIDARE

Rigla de ghidare se utilizează la toate operațiile ce necesită ghidare pentru tăiere. Niciodată nu tăiați materialul manual, fără a folosi rigla fixată pe poziție și blocată în siguranță.

- Poziționați rigla la lățimea de tăiere dorită și blocați-o pe poziție.

- Înainte de a efectua tăierea, asigurați-vă că rigla este paralelă cu lama fierăstrăului. La tăieturile efectuate în butuci de lungime mare sau panouri cu suprafață mare, utilizați întotdeauna un suport de sprijin.
- Țineți piesa lipită de riglă și tăiați aplicând o presiune constantă și ușoară asupra materialului.

### REGLAJE

#### ⚠ AVERTISMENT

Înainte de a efectua orice tip de reglaje, asigurați-vă că echipamentul este scos din priză și comutatorul de pornire este în poziția oprit. Neacordarea atenției acestei avertizări poate rezulta în vătămare personală gravă.

#### ⚠ AVERTISMENT

Pentru a evita răniile personale, mențineți reglajele adecvate pentru tensionarea lamei, ghidajele lamei și rulmenții de presiune.

### MONTAREA ȘI REGLAREA LAMEI

A se vedea figura 17.

- Slăbiți piulița semicirculară, șaibele și șurubul cu cap fluture de pe masa de tăiere.
- Deschideți capacele de protecție prin deșurubarea șuruburilor de blocare ale acestora.
- Răsuciți butonul de blocare în sens antiorar pentru a debloca ansamblul ghidajului de tăiere. Rotind de butonul de reglare a ghidajelor lamei (rotirea în sens orar ridică ansamblul ghidajelor; rotirea în sens invers coboară ansamblul), poziționați ansamblul ghidajelor lamei la o distanță aproximativ egală față de masa de tăiere și carcasa sistemului de ghidare. Restrângeți maneta de blocare.
- Deschideți protecția lamei trăgând de partea stângă a protecției spre exterior.
- Slăbiți complet tensionarea lamei.
- Îndepărtați cu grijă lama veche.
- Purtând mănuși, derulați cu atenție lama nouă la distanță de un braț față de corp. Dacă lama nouă a fost unsă cu ulei pentru a preveni ruginirea, trebuie să o ștergeți pentru a nu contamina cu ulei piesa în lucru. Ștergeți cu atenție în sensul dinților de tăiere pentru a nu agăța cârpa în aceștia.

**NOTĂ:** S-ar putea să fie nevoie ca lama să fie întoarsă invers în cazul în care dinții de tăiere sunt îndreptați în sens greșit. Țineți banda cu ambele mâini și întoarceți-o.





## Română (Traducere din versiunea originală a instrucțiunilor)

- Cu dinții de tăiere îndreptați spre partea stângă a fierăstrăului și în jos, plasați banda printre ghidajele inferioare și în jurul ambelor volante.
- Rotiți încet volanta superioară spre dreapta sau în sens orar cu mâna pentru a centra lama pe cauciucul de pe volantă.
- Readuceți în poziția inițială maneta de tensionare a lamei RapidSet™ pentru a tensiona lama; verificați sau reglați centrarea lamei.
- Reglați ghidajele superioare și pe cele inferioare, precum și rulmenții de presiune, conform indicațiilor din acest manual.
- Remontați șurubul cu cap fluture, șaibe și piulița semirodună. Strângeți șurubul.
- Închideți protecția lamei și capacul frontal. Strângeți șuruburile de blocare ale capacului.

### REGLAREA ANSAMBLULUI DE GHIDARE A LAMEI

A se vedea figura 18 - 19.

Pentru a preveni răsucirea sau ruperea lamei, ansamblul de ghidare a lamei trebuie întotdeauna poziționat la aproximativ 3,2 mm (1/8") deasupra piesei în lucru.

- Răsuciți butonul de blocare în sens antiorar pentru a debloca ansamblul ghidajului de tăiere.
- Ca reper puteți folosi o bucată de lemn de aceeași grosime cu cea care urmează a fi tăiată pentru a stabili înălțimea ansamblului de ghidare a lamei. Reglați ansamblul de ghidare a lamei prin rotirea butonului rotativ de reglare a ghidajelor lamei.
- Blocați ansamblul pe poziție prin rotirea butonului de blocare în sens orar.
- Întotdeauna blocați ansamblul de ghidare pe poziție înainte de a porni fierăstrăul cu bandă.

### REGLAREA SUPORTULUI DE GHIDARE A LAMEI ȘI A RULMENȚILOR DE PRESIUNE

A se vedea figura 20 - 21.

**NOTĂ:** Strângeți butonul de blocare și consultați procedurile din capitolul "Reglajul tensionării lamei" și "Centrarea lamei" explicate în secțiunea ASAMBLARE a acestui manual înainte de a continua reglajele.

Suportii superior și inferior ai rulmenților de presiune sprijină lama în timpul operațiilor de tăiere. Reglajele rulmenților și ghidajelor trebuie verificate de fiecare dată când se montează o lamă nouă.

#### Pentru a regla rulmenții de presiune:

Rulmenții de presiune sprijină muchia posterioară a lamei în timpul tăierii. Lama nu trebuie să se sprijine pe rulmenți după terminarea tăierii. Este important ca rulmentul superior și cel inferior să fie reglați în mod egal.

- Deschideți capacele frontale și protecția lamei.

- Utilizând o cheie inbus hexagonală, slăbiți șuruburile de fixare ale rulmenților de presiune superior și inferior și împingeți rulmenții spre partea din spate a fierăstrăului.
- Verificați centrarea lamei apoi deplasați rulmentul de presiune până ajunge la o distanță de 0,4 mm (1/64") față de lamă. Strângeți șurubul de fixare al rulmentului.
- Refaceți operația în cazul rulmentului inferior până când ajunge la distanța corectă. Strângeți șurubul de fixare al rulmentului.

#### Pentru a regla suportul ghidajului lamei:

- Slăbiți șurubul suportului ghidajului și pe cel al ghidajului lamei folosind chei inbus hexagonale.
- Deplasați suportul superior de ghidare până când partea frontală a ghidajelor intră în contact cu lama fierăstrăului în spatele adânciturii maxime a dintelui. Strângeți șurubul.
- Împingeți ghidajul din dreapta până când intră în contact cu lama și eliberați-l. Rotiți încet volanta o tură completă. Strângeți șuruburile de reglare a ghidajelor.
- Poziționați ghidajul stâng la o distanță de 0,4 mm (1/64") față de lamă (aproximativ grosimea unei cărți de joc) folosind o carte de joc ca distanțier.
- Aplicați presiune pe bolțul ghidajului stâng pentru a-l menține pe poziție. Strângeți șurubul de reglaj și îndepărtați cartea de joc.
- Rotiți volanta cu mâna trei ture complete pentru a verifica ca lama să nu atingă ghidajul.
- Închideți protecția lamei și capacul frontal. Blocați șurubul.

Repetăți procedura cu suportul inferior al ghidajelor.

### REGLAREA RIGLEI DE GHIDARE

- Slăbiți maneta de blocare rotind-o în sens orar.
- Plasați rigla de ghidare în poziția dorită.
- Apăsăți în jos pe maneta de blocare pentru a fixa pe poziție rigla de ghidare.
- Răsuciți maneta de blocare pentru a regla forța de strângere a clemelor.

## ÎNȚREȚINEREA

### **A** AVERTISMENT

Atunci când efectuați proceduri de service, utilizați doar piese de schimb identice. Utilizarea altor piese poate crea situații periculoase sau poate conduce la deteriorarea produsului.





## Română (Traducere din versiunea originală a instrucțiunilor)

### **⚠️ AVERTISMENT**

Purtați întotdeauna ochelari de protecție în timpul funcționării echipamentului. Dacă mediu de lucru este plin de praf, purtați întotdeauna o mască împotriva prafului.

### **⚠️ AVERTISMENT**

Înainte de a efectua orice tip de lucrări de întreținere, asigurați-vă că mașina este scoasă din priză și comutatorul de pornire este în poziția oprit. Neacordarea atenției acestei avertizări poate rezulta în vătămare personală gravă.

### ÎNȚREȚINERE GENERALĂ

Evitați utilizarea solvenților atunci când curățați piesele din plastic. Majoritatea materialelor plastice pot fi deteriorate de diferite tipuri de solvenți comerciali și pot fi deteriorate de utilizarea acestora. Utilizați materiale textile curate pentru a îndepărta murdăria, praful, uleiul, grăsimea etc.

### **⚠️ AVERTISMENT**

Nu lăsați niciun moment ca lichidele de frână, produsele pe bază de petrol, uleiurile penetrante etc să intre în contact cu părțile din plastic. Aceste produse chimice conțin substanțe care pot distruge, fragiliza sau deteriora plasticul.

- Păstrați produsul curat.
- Îndepărtați frecvent rumegușul din interior.
- Nu permiteți acumularea de rășină pe lamă, ghidaje sau rulmenții de presiune. Curățați-le cu diluant.
- Aplicați un strat subțire de ceară auto pe partea superioară a mesei de tăiere pentru ca lemnul să alunece cu ușurință în timpul tăierii.

### Lubrifierea

Toate componentele acestei unelte sunt lubrifiate cu o cantitate suficientă de lubrifiant de înaltă calitate ce vizează durata de viață a unității în condiții de operare obișnuite. În consecință, nici o ungere suplimentară nu este necesară.

### BENZILE DE CAUCIUC

#### Curățarea benzilor de cauciuc:

- Benzile de cauciuc trebuie curățate cu o perie cu peri fini sau cu o bucată de lemn de rășină și rumegușul acumulate în timpul funcționării. **Nu utilizați un cuiț ascuțit sau solvent.**

#### Înlocuirea benzilor de cauciuc:

- Dschideți capacul frontal și îndepărtați lama fierăstrăului. Consultați secțiunea Montarea și reglarea lamei
- Scoateți banda de cauciuc uzată cu atenție de pe volantă.
- Întindeți noua bandă de cauciuc pe volantă.
- Remontați lama și închideți capacul frontal.

### PERIE

A se vedea figura 22.

În interiorul carcasei, lângă volantă, există o perie. Aceasta ajută la protejarea benzii de cauciuc și a volantei prin îndepărtarea rumegușului. Pe măsură ce peria se uzează, trebuie reglată sau înlocuită.

- Îndepărtați șurubul de fixare și șaiba, apoi trageți afară peria.
- Introduceți noua perie în locaș.
- Fixați-o cu ajutorul șurubului și al șaibei.

### TRANSPORTARE ȘI DEPOZITARE

A se vedea figura 23 - 24.

- La transportarea produsului, deconectați cablul de alimentare, coborâți protecția lamei și demontați produsul de pe suport. Păstrați bagheta de împins piesa pe partea de sus a carcasei. Ridicați produsul apucând de carcasa superioară așa cum este ilustrat în imagine. Depozitați produsul într-un loc sigur ce nu este accesibil copiilor.
- Curățați produsul folosind o perie sau aspiratorul înainte de a-l depozita.

### PROTECȚIA MEDIULUI ÎNCONJURĂTOR



Reciclați materiile prime în loc să le aruncați la gunoi, împreună cu deșeurile menajere. Pentru a proteja mediul înconjurător, mașina, accesoriile acesteia și ambalajele trebuie triate.

### SIMBOL



Alertă de siguranță



Conformitate CE



## Română (Traducere din versiunea originală a instrucțiunilor)



Citiți instrucțiunile cu atenție înainte de pornirea produsului.



Purtați echipamente de protecție a vederii



Purtați echipamente de protecție a auzului



PERICOL! Pânză ascuțită.



Piedică



Deblocare



Adâncime maximă de tăiere



Lățime maximă de tăiere



Unghi maxim de tăiere



Viteză de funcționare



Dimensiune lamă



Unealta trebuie deconectată de la sursa de alimentare înainte oricărei operații de întreținere.



Deșeurile produselor electrice nu trebuie să fie înălțurate împreună cu deșeurile casnice. Vă rugăm să reciclați acolo unde există facilități. Verificați la autoritatea dvs. locală sau la vânzător pentru sfaturi privind reciclarea.





## Română (Traducere din versiunea originală a instrucțiunilor)

### DEPANARE

Problemă	Cauză posibilă	Soluție
Motorul nu funcționează	<ol style="list-style-type: none"> <li>1. Problemă cu comutatorul ON/OFF sau cablul de alimentare.</li> <li>2. Motor defect.</li> <li>3. Lama se lipește.</li> </ol>	<ol style="list-style-type: none"> <li>1. Înlocuiți piesele uzate înainte de a folosi produsul din nou.</li> <li>2. Nu încercați reparația. Unealta trebuie reparată de o persoană calificată.</li> <li>3. Îndepărtați materialul blocat</li> </ol>
Lama nu trece prin centrul volantei superioare.	<ol style="list-style-type: none"> <li>1. Lama nu este centrată corect.</li> </ol>	<ol style="list-style-type: none"> <li>1. Reglați tensiunea, consultați secțiunea REGLAJE, "Centrarea lamei".</li> <li>2. Dacă este deteriorat, el trebuie schimbat imediat de către o persoană calificată.</li> </ol>
Lama își reduce viteza în sarcină.	<ol style="list-style-type: none"> <li>1. Se încearcă tăierea pe o rază prea mică.</li> <li>2. Lamă tocită.</li> </ol>	<ol style="list-style-type: none"> <li>1. Trageți ușor materialul înapoi până când lama revine la turaj normală.</li> <li>2. Înlocuiți lama.</li> </ol>
Lama se rupe.	<ol style="list-style-type: none"> <li>1. Lama este prea tensionată.</li> <li>2. Îndoire a lamei din cauză că s-a efectuat tăiere pe o rază prea mică sau s-a rotit materialul prea repede în timpul tăierii.</li> <li>3. Rulmenții de presiune prezintă rizuri sau nu se rotește.</li> </ol>	<ol style="list-style-type: none"> <li>1. Reglați tensiunea. Consultați secțiunea REGLAJE, "Reglarea tensionării lamei".</li> <li>2. Folosiți tehnica de tăiere corectă. Consultați secțiunea Operare.</li> <li>3. Înlocuiți rulmenții de presiune.</li> </ol>
produsul este zgomotos la funcționare.	<ol style="list-style-type: none"> <li>1. Lama este prea tensionată.</li> <li>2. Ghidajele lamei și rulmenții sunt în contact cu lama.</li> </ol>	<ol style="list-style-type: none"> <li>1. Reglați tensiunea. Consultați secțiunea REGLAJE, "Reglarea tensionării lamei".</li> <li>2. Reglați ghidajele și rulmenții din ambele părți ale lamei. Consultați secțiunea REGLAJE, "Reglarea rulmenților de presiune și a suportilor de ghidare a lamei".</li> </ol>
Lama nu taie drept.	<ol style="list-style-type: none"> <li>1. Ghidajele lamei și rulmenții nu sunt reglate corespunzător.</li> <li>2. Lamă uzată sau deteriorată.</li> </ol>	<ol style="list-style-type: none"> <li>1. Reglați ghidajele și rulmenții din ambele părți ale lamei. Consultați secțiunea REGLAJE, "Reglarea rulmenților de presiune și a suportilor de ghidare a lamei".</li> <li>2. Înlocuiți lama.</li> </ol>
Ghidajele lamei nu stau pe poziție.	<ol style="list-style-type: none"> <li>1. Șuruburile de fixare ale ghidajelor s-au slăbit.</li> </ol>	<ol style="list-style-type: none"> <li>1. Strângeți șuruburile de reglare a ghidajelor.</li> </ol>
Motorul funcționează dar lama nu se rotește	<ol style="list-style-type: none"> <li>1. Tensiune necorespunzătoare.</li> <li>2. Cureaua de transmisie ruptă.</li> </ol>	<ol style="list-style-type: none"> <li>1. Utilizați maneta de tensionare a lamei pentru a o tensiona adecvat.</li> <li>2. Dacă este deteriorat, el trebuie schimbat imediat de către o persoană calificată.</li> </ol>





## Latviski (Tulkojums no oriģinālās dokumentācijas)

### APRAKSTS

- |   |  |
|---|--|
| 1. Asmens spriegojuma poga                      | 53. Bloķētājs                          |
| 2. Vāka fiksācijas skrūve                       | 54. Piedziņas gultnis                  |
| 3. Novērošanas kontrol lodziņš                  | 55. Piedziņas gultņa skrūve            |
| 4. Darba apgaismojums                           | 56. Asmens vadotnes atbalsta skrūve    |
| 5. Asmens aizsargs                              | 57. Augšējās asmens vadotnes atbalsts  |
| 6. Zāģa asmens                                  | 58. Asmens vadotne                     |
| 7. Leņķa skala                                  | 59. Asmens vadotnes komplekta skrūve   |
| 8. Putekļu izvadīšanas atvere                   | 60. Asmens vadotnes skrūve             |
| 9. Skalas indikators                            | 61. Apakšējās asmens vadotnes atbalsts |
| 10. Leņķa regulēšanas poga                      | 62. Suka                               |
| 11. Skala                                       | 63. Paplāksne                          |
| 12. Galda fiksācijas svira                      | 64. Skrūve                             |
| 13. Fiksācijas poga                             | 65. Gumijas uzlika                     |
| 14. Asmens vadotnes regulēšanas poga            |  |
| 15. Asmens spriegošanas svira                   |  |
| 16. Griezēja plāksne                            |  |
| 17. Gaitas regulēšanas poga                     |  |
| 18. Ieslēgšanas/izslēgšanas slēdzis             |  |
| 19. Zāģa galds                                  |  |
| 20. Priekšējais apakšējais panelis              |  |
| 21. Priekšējais augšējais panelis               |  |
| 22. Galda atdure                                |  |
| 23. Darba apgaismojuma slēdzis                  |  |
| 24. Bīdīšanas nūja                              |  |
| 25. Phillips skrūvgriezis (nav kompl.)          |  |
| 26. Noregulējama uzgriežņu atslēga (nav kompl.) |  |
| 27. Mazais kombinētais leņķis (nav kompl.)      |  |
| 28. Sešstūrveida uzgriežņu atslēga , 3 mm       |  |
| 29. Sešstūrveida uzgriežņu atslēga , 4 mm       |  |
| 30. Sešstūrveida uzgriežņu atslēga , 5 mm       |  |
| 31. Paplāksne                                   |  |
| 32. Uzgriežņi ar cepurīti                       |  |
| 33. Paplākšņi                                   |  |
| 34. Pēda  |  |
| 35. Fiksācijas skrūves                          |  |
| 36. Seškanšu uzgriežņi                          |  |
| 37. Atbalsta pagarinājums                       |  |
| 38. Atveres zāģa pamatnē                        |  |
| 39. D-uzgrieznis                                |  |
| 40. Spārnu skrūve                               |  |
| 41. Zāģa galda kronšteins                       |  |
| 42. Asmens vadotnes mezgls                      |  |
| 43. Regulēšanas skrūve                          |  |
| 44. Lai samazinātu spriegojumu                  |  |
| 45. Lai palielinātu spriegojumu                 |  |
| 46. Fiksācijas poga                             |  |
| 47. Leņķa skalas rievā                          |  |
| 48. Phillips skrūves                            |  |
| 49. Augšējais rats                              |  |
| 50. Apakšējās asmens vadotnes                   |  |
| 51. Apakšējais rats                             |  |
| 52. Atbloķēt                                    |  |





## Latviski (Tulkojums no oriģinālās dokumentācijas)

Radot jūsu lentzāģi, drošībai, veikspējai un uzticamībai ir pievērsta vislielākā vērība.

### PAREDZĒTĀ LIETOŠANA

Lentzāģis ir paredzēts koka un koka izstrādājumu griešanai taisnā līnijā, figūrgriešanai vai apļveida griešanai.

Instrumenti ir paredzēti lietošanai pieaugušiem, kuri ir izlasījuši lietošanas rokasgrāmatu un izpratuši riskus un briesmas.

Zāģis paredzēts lietošanai sausos apstākļos ar izcilu apkārtējo apgaismojumu un atbilstošu ventilāciju.

Prece paredzēta klientu lietošanai un to drīkst izmantot tikai kā aprakstīts iepriekš un ne citiem mērķiem.

### VISPĀRĪGIE DROŠĪBAS BRĪDINĀJUMI

#### BRĪDINĀJUMS

Izmantojot elektroinstrumentus, vienmēr jāievēro drošības vienmēr, lai samazinātu aizdegšanās, elektriskās strāvas trieciena un personiskās traumas risku. Pirms mēģināt izmantot šo produktu, izlasiet un saglabājiet šos norādījumus.

- **Darba vietai jābūt tīrai.** Nekārtīgas darba zonas un darbgaldi var būt traumu iemesls.
- **Pārdomājiet darba zonas vidi.** Nepakļaujiet instrumentus lietus iedarbībai. Nelietojiet instrumentus mitrās vietās. Darba vietai jābūt labi apgaismotai. Neizmantojiet instrumentus ugunsnedrošu šķidrumu vai gāzu klātbūtnē.
- **Sargieties no elektriskās strāvas trieciena.** Ķermenis nedrīkst pieskarties zemētām virsmām (piemēram, caurulēm, radiatoriem, plītim, ledusskapjiem).
- **Citām personām ir jāatrodas pietiekamā atstumā.** Neļaujiet nepiederošām personām, it īpaši bērniem, iesaistīties darbā, pieskarties instrumentam vai pagarinātājkabeļiem un atstāties darba zonā.
- **Glabājiet nelietojamus instrumentus.** Kad instrumenti netiek lietoti, tie jāglabā sausā, slēgtā, bērniem nepieejamā vietā.
- **Nepārslogojiet instrumentu.** Tas darbosies labāk un drošāk ar paredzētajiem apgriezieniem.
- **Izmantojiet pareizo instrumentu.** Nelieciet maziem instrumentiem veikt spēcīgu instrumentu darbu. Neizmantojiet instrumentus citiem nolūkiem, izņemot paredzētos, piemēram, nelietojiet ripzāģus koku zaru vai balķu griešanai.
- **Apģērbieties pareizi.** Nevalkājiet vaļīgus drēbes vai brīvi krītošas rotaslietas, jo tās var aizķerties aiz

kustīgajām daļām. Strādājot ārā, ieteicams izmantot neslīdošus apavus. Aizsargājiet garus matus, uzliekot galvas apsegu.

- **Izmantojiet aizsargaprīkojumu.** Izmantojiet aizsargbrilles. Ja darba laikā rodas putekļi, izmantojiet sejas vai putekļu masku.
- **Pievienojiet putekļu ekstrakcijas aprīkojumu.** Ja instrumentam var pievienot putekļu nosūkšanas un savākšanas ierīces, tās jāpievieno un pareizi jālieto.
- **Izmantojiet barošanas vadu tikai pareizi.** Nekādā gadījumā neveiciet aiz vada, lai atvienotu no kontaktligzdas. Turiet vadu atstatu no karstuma, eļļas un asām malām.
- **Strādājiet droši.** Ja iespējams, darba saturēšanai izmantojiet skavas vai skrūvspīles. Tas ir drošāk nekā manuāli.
- **Nesniedzieties tam pāri.** Visu laiku stāviet stingri un stabili.
- **Rūpīgi veiciet instrumentu apkopi.** Lai darbs būtu labāks un drošāks, griezējinstrumentiem jābūt asiem un tīriem. Izpildiet eļļošanas un piederumu maiņas norādījumus. Regulāri pārbaudiet instrumenta vadus un bojājumu gadījumā lieciet tos salabot pilnvarotā servisa iestādē. Regulāri pārbaudiet un bojājumu gadījumā nomainiet pagarinājuma kabeļus. Rokturiem ir jābūt sausiem un tīriem, bez eļļas un smērvielām.
- **Atvienojiet instrumentus.** Kad instrumenti netiek lietoti, pirms apkopes un piederumu, piemēram, asmeņu, urbju un griezņu maiņas, atvienojiet instrumentus no barošanas padeves.
- **Noņemiet regulācijas atslēgas un uzgriezņu atslēgas.** Pirms instrumenta ieslēgšanas vienmēr pārbaudiet, vai no tā ir noņemtas atslēgas un regulēšanas uzgriezņu atslēgas.
- **Nepieļaujiet nejašu iedarbināšanu.** Pieslēdzot pārliecinieties, vai slēdzis ir izslēgšanas pozīcijā.
- **Izmantojiet āra pagarinātājkabeļus.** Kad instruments tiek lietots ārā, izmantojiet tikai pagarinātājus, kas ir paredzēti lietošanai ārā un ir atbilstoši marķēti.
- **Esiet uzmanīgs.** Vērojiet, ko darāt, izmantojiet veselo saprātu un nelietojiet instrumentu, ja esat noguris.
- **Pārbaudiet bojātās daļas.** Pirms instrumenta lietošanas tas ir uzmanīgi jāpārbauda, lai konstatētu, vai tas darbojas pareizi un veic paredzēto funkciju. Pārbaudiet kustīgo daļu iestatījumu, vai tās neķeras, vai daļas nav salūzušas, stiprinājumus un visus citus apstākļus, kas var ietekmēt darbību. Bojāts aizsargs vai cita daļa pareizi jāsamontē vai jānomaina pilnvarotā servisa centrā, ja šajā instrukciju rokasgrāmatā nav norādīts citādi. Nomainiet bojātus slēdzus pilnvarotā servisa centrā. Neizmantojiet instrumentu, ja nedarbojas slēdzis.
- **Brīdinājums.** Ja tiek izmantots cits piederums vai





## Latviski (Tulkojums no oriģinālās dokumentācijas)

pierīce, izņemot instrukcijā norādīto, tas var izraisīt personiskas traumas risku.

- **Instruments ir jāremontē kvalificētam speciālistam.** Šis elektroinstruments atbilst attiecīgajiem drošības noteikumiem. Remontu drīkst veikt tikai kvalificēti speciālisti, izmantojot oriģinālās rezerves daļas, citādi lietotājs var gūt nopietnas traumas.

### LENTZĀĢA DROŠĪBAS BRĪDINĀJUMI

- **Stingri iespiediet vai pieskrūvējiet zāģi darba solam vai stafīvam aptuveni gurnu augstumā.**
- **Nekad nelietojiet izstrādājumu uz grīdas.**
- **Izvairieties no neērtām darbībām un roku pozīcijām, lai roka, pēkšņi paslīdot, neiekļūtu asmenī.** Vienmēr nodrošiniet sev stabilu līdzsvaru.
- **Ļaujiet dzinējam uzņemt pilnus apgriezienus, pirms uzsākt zāģēšanu, lai izvairītos no bremsēšanas vai iekļīšanās.**
- **Neizmantojiet instrumentu, ja to nevar ieslēgt un izslēgt ar slēdzi.** Nomainiet bojātus slēdžus pilnvarotā servisa centrā.
- **Rezerves daļas.** Visus remontdarbus, gan elektriskos, gan mehāniskos, jāveic kvalificētam tehniķim pilnvarotā servisa centrā.
- **Veicot apkopi, izmantojiet tikai identiskas rezerves daļas.** Jebkādi citu detaļu izmantošana var izraisīt bīstamību vai produkta bojājumus.
- **Rokas nedrīkst atrasties griešanas zonā.** Neturiet ar roku nelielus materiāla gabalus, ja pirksti virzās zem asmens aizsarga. Nekādā gadījumā nelieciet rokas un pirkstus zem darbavietas vai asmens griešanas ceļā.
- **Nekad nezāģējiet vairāk kā vienu gabalu vienlaikus vai novietojiet uz galda vairāk kā vienu aprādājamo gabalu.**
- **Nebīdīet materiālu pārāk ātri.** Nespiediet materiālu pret zāģa asmeni.
- **Izmantojiet tikai pareizos asmeņus.** Izmantojiet materiāla un griešanas veidam piemērota izmēra un stila zāģa asmeni. Asmeņi zobiem ir jābūt vēršiem lejup pret galdū.
- **Griežot lielus gabalus, vienmēr to atbalstiet, lai novērstu asmens iekļīšanu un atsītienu.** Zāģis var izslīdēt, padoties vai sagriezties, griežot lielus vai smagus dēļus.
- **Neizmantojiet iestrēgušus izgrieztos gabalus, līdz zāģa asmens nav apstājies.**
- **Neizmantojiet zāģa lentes, kas ir bojātas vai deformētas.**
- **Nomainiet galda starplikus, kad tā ir nodilusi.**
- **Zāģējot koku, pievienojiet zāģi putekļu savākšanas iekārtai.**

- **Neizmantojiet izstrādājumu, ja aizsargs, kas aizsedz zāģa lenti ir atvērts.**
- **Izvēlieties zāģa lenti un ātrumu, kas piemērots zāģējamam materiālam.**
- **Netīriet zāģa lenti, kamēr tā atrodas kustībā.**
- **Rīkojoties ar zāģa asmeni vai raupju materiāli, valkājiet cimdus.**
- **Izmantojiet stumšanas nūju, griežot mazus gabalus un izmantojot atduri.**
- **Pārvadājiet izstrādājumu, kad zāģa aizsargs ir pilnīgi nolaists un maksimāli tuvu galdam.**
- **Novietojiet atduri uz galda apakšējās daļas, ja veicat zāģēšanu leņķī ar slīpi novietotu galdū.**
- **Izmantojiet piemērotus satveršanas rīkus, griežot nelielus apaļus vai neregulāras formas kokmateriālus, lai izvairītos no to griešanās zāģēšanas laikā.**
- **Neizmantojiet aizsargus pārnēsāšanai un transportēšanai**
- **Noregulējiet aizsargu pēc iespējas tuvāk zāģējamam gabalam.**
- **Nekad lietošanas laikā neaizskariet asmeni vai citas kustīgās daļas.**
- **Pirms mainīt iestatījumus un noņemt aizsargus vai asmeņus, atvienojiet zāģi no sprieguma avota.**
- **Vienmēr turiet materiālu stingri piespiestu galdam.**
- **Lai izvairītos no nejaušas pieskaršanās asmenim, samazinātu asmens plīšanas iespēju un sniegtu tam maksimālo atbalstu.** Vienmēr iestatiet asmens vadotnes mezglu tā, lai tas atrastos tikai nedaudz atstatu no zāģējamā gabala.
- **Asmeņiem jābūt tīriem, asiem un pietiekami nostiprinātiem.** Asi asmeņi samazina iestrēgšanas un atsītienu risku.
- **Zāģi pirms atvienošanas vienmēr izslēdziet, lai, atkārtoti pieslēdzot strāvas padevei, izvairītos no nejaušas iedarbināšanas.**
- **Pirms darba ar zāģi pārliecinieties, vai darba zona ir pietiekami apgaismota, lai redzētu darbu, un vai nekādi šķēršļi netraucēs droši veikt darbu.**
- **Asmens vadotnes tiek iestatītas ražotnē.** Šie iestatījumi ir nepieciešami atsevišķiem pielietojumiem. Mēs iesakām jums pārbaudīt un noregulēt zāģa vadotņu iestatījumus pirms lietot zāģi pirmo reizi. Skatīt "Piedziņas gultņu un asmens vadotņu balstu regulēšana" procedūras, kas izklāstītas šīs rokasgrāmatas sadaļā REGULĒŠANA.
- **Neizmantojiet instrumentu metāla zāģēšanai.**
- **Šim instrumentam vajadzētu būt šādiem marķējumiem:**
  - Valkājiet acu aizsarglīdzekļus





## Latviski (Tulkojums no oriģinālās dokumentācijas)

- Neturiet rokas asmens tuvumā.
  - Neizņemiet iestrēgušus vai izgriezto gabalus, līdz asmens nav apstājies.
  - Pārļiecinieties, ka asmens ir uzstādīts tā, ka zobi ir vērsti lejup.
  - Uzturiet pareizu asmens spriegojumu, asmens vadotņu un piedziņas gultņu stāvokli.
  - Iestatiet augšējo vadotni tā, lai tā atrastos tikai nedaudz atstatu no zāgējāmā gabala.
  - Zāgējot turiet materiālu stingri piespiestu galdam.
- **Ja bojāts strāvas padeves vads, lai izvairītos no riska, to drīkst nomainīt tikai ražotājs vai pilnvarotā apkopes centrā.**
- **Saglabājiet šīs instrukcijas.** Bieži pārļasiet šos norādījumus un izmantojiet tos citu lietotāju instruēšanai. Ja kādam aizdodat šo instrumentu, aizdodiet arī šos norādījumus.

### ELEKTRĪBA

#### PAGARINĀTĀJI

Izmantojiet tikai 3-vadu pagarinājuma kabelus, kuriem ir 3-zaru zemēšanas spraudņi un 3-polu rozetes, kurām var pieslēgt produkta spraudni. Ja lietojat elektroinstrumentu ievērojamā attālumā no barošanas avota, izmantojiet pietiekama nomināla pagarinātāju, lai tas varētu piegādāt elektroenerģiju atbilstoši produkta patēriņam. Nepietiekama nomināla pagarinātājs izraisīs līnijas sprieguma kritumu, kas radīs jaudas zudumu un motora pārkaršanu.

Pirms izmantot pagarinātāja vadu, pārbaudiet, vai tam nav valģi vai atkailinātu vadu, sagriezta vai nodilusi izolācija.

#### ▲ BRĪDINĀJUMS

Uzmanieties, lai darba zonā neatrastos pagarinātājavads. Strādājot ar instrumentu, novietojiet vadu tā, lai tas netiktu iespiests starp materiāliem, instrumentiem vai citiem šķēršļiem. Neievērošana var izraisīt nopietnus miesas bojājumus.

#### ▲ BRĪDINĀJUMS

Pirms katras lietošanas pārbaudiet pagarinājuma vadus. Bojājumu gadījumā nekavējoties nomainiet. Nekad neizmantojiet instrumentu, kuram bojāts strāvas vads, jo, pieskaroties bojātajai vietai, varat saņemt elektrostrāvas triecienu, kas var izraisīt nopietnu traumu.

### ELEKTRISKAIS PIESLĒGUMS

Šajā produktā ir smalkas konstrukcijas motors. To

vajadzētu pievienot tikai 220–240 V maiņstrāvas barošanas padevei (parastā sadzīvē izmantojamā strāva), 50 Hz. Nelietojiet šo produktu ar līdzstrāvu (DC). Ievērojams sprieguma kritums izraisīs jaudas zudumu, un motors pārkarstīs. Ja produkts nedarbojas, kad ir pieslēgts barošanai, atkārtoti pārbaudiet barošanas pievadu.

### ĀTRUMS UN VADOJUMS

Šī izstrādājuma ātrums bez slodzes ir aptuveni 11 m/s. Šis ātrums nav konstants un samazinās slodzes vai zemāka sprieguma ietekmē. Spriegumam, elektrotīkla instalācija darbnīcā ir tikpat svarīgs kā motora nominālā patēriņam jauda. Tikai apgaismes ķermeņiem paredzētā līnija nevar pareizi nodrošināt elektroinstrumenta motoru. Vads, kura nomināls ir piemērots nelielam attālumam, būs nepietiekams lielākam attālumam. Līnija, kas var nodrošināt atbalstu vienam elektroinstrumentam, iespējams, nevar atbalstīt divus vai trīs instrumentus.

### ZEMĒJUMA INSTRUKCIJAS

Šim izstrādājumam jābūt sazemētam. Darbības traucējuma vai salūšanas gadījumā zemējums nodrošina mazākās pretestības ceļu elektriskajai izlādei, lai mazinātu elektriskā trieciena risku. Šis izstrādājums ir aprīkots ar elektrisko vadu, kuram ir ierīces zemējuma vadītājs un zemējuma kontaktspraudnis. Kontaktspraudni jāpieslēdz piemērotai ligzdai, kas ir pareizi instalēta un zemēta atbilstoši visiem vietējiem noteikumiem.

Nemodifi cējiet komplektācijas kontaktspraudni. Ja ligzda neatbilst spraudnim, kvalifi cētām elektriķim jāuzstāda pareiza ligzda. Nekavējoties salabojiet vai nomainiet bojātu vai nodilušu vadu.

### PALIEKOŠIE RISKI

Pat tad, ja ierīce tiek lietota, kā aprakstīts, joprojām nav iespējams pilnībā novērst atsevišķus riska faktorus. Lietošanas laikā var rasties šādas briesmas un strādniekam īpaša uzmanība jāpievērš šim:

- Atlecošas materiāla daļiņas un daļas, kas rodas neatbilstošas pielāgošanas vai apiešanās rezultātā.
- Bojājums elpošanas sistēmai.  
**PIEZĪME:** Valkājiet elpošanas aizsargmaskas, kurām ir apstrādājamiem materiāliem atbilstoši filtri. Darba vietā nodrošiniet atbilstošu ventilāciju. Darba vietā neēdiet, nedzeriet un nesmēķējiet.
- Dzirdes bojājums, ja nelietojat efektīvu dzirdes aizsargu.

### IERĪCES IEPAZĪŠANA

*Skatiet 1. attēlu.*

Droša izstrādājuma lietošana prasa saprast informāciju par izstrādājumu un šajā operatora rokasgrāmatā sniegto,





## Latviski (Tulkojums no oriģinālās dokumentācijas)

kā arī labi pārzināt jūsu uzsāktu projektu. Pirms izmantot šo produktu, iepazīstieties ar visām darbības funkcijām un drošības prasībām.

### LEŅĶA REGULĒŠANAS POGA

Sagāž zāga galdu zāgēšanai leņķī.

### ASMENS AIZSARGS

Aizsargā lietotāju no saskarsmes ar asmeni.

### ASMENS VADOTNES REGULĒŠANAS POGA

Izmantojiet asmens vadotnes regulēšanu, lai regulētu zāga vadotnes mezglu augšup un lejup un novērstu asmens savērpanos vai salūšanu. Vienmēr nofiksējiet asmens vadotnes mezglu, pirms iedarbināt lentzāģi.

### ASMENS VADOTNES

Augšējā un apakšējā asmens vadotnes palīdz pasargāt asmeni no savērpanās lietošanas laikā.

### PUTEKĻU IZVADĪŠANAS ATVERE

53 mm (2-1/8") putekļu nosūkšanas atvere rada iespēju zāgēt bez putekļiem. Pievienojiet putekļu maisu (nav komplektā) vai putekļsūcēju putekļu nosūkšanas atverei.

### VĀKA FIKSĀCIJAS SKRŪVE

Ļauj atvērt priekšējo vāku, lai veiktu regulēšanu.

### LEŅĶA SKALA

Šī skala novieto koku griešanai šķērsām. Viegli nolasāms indikators parāda precīzu slīpas zāgēšanas leņķi - 15°, 30°, 45° un 60°.

### RAPIDSET™ ASMENS SPRIEGOŠANAS SVIRA

Regulē asmens spriegojumu, mainos asmeņus un veicot regulējumus dažādiem zāgēšanas veidiem.

### ZĀGA ASMENS

Zāģis tiek piegādāts ar standarta 6,35 mm (1/4") asmens.

### ZĀGA GALDS AR ATVERES PLĀKSNĪ

Jūsu lentzāga galdam ir galds ar maināmu slīpumu. Asmens atveres plāksne, kas rūpnīcā uzstādīta zāga galdā, nodrošina asmenim nepieciešamo atveri.

### SKALA UN SKALAS INDIKATORS

Skala un skalas indikators parāda leņķi, kādā zāga galds ir noliekts, lai veiktu slīpu zāgēšanu.

### GALDA FIKSĀCIJAS SVIRA

Atlaižot galda fiksācijas sviru, zāga galds var novietot dažāda leņķa slīpumā. Pievelkot galda fiksācijas sviru, zāga galds tiek nofiksēts vietā.

### GAITAS REGULĒŠANAS POGA

Regulē asmens ceļu, lai saglabātu tā gājienu ratu vidū.

### NOVĒROŠANAS KONTROLLODZIŅŠ

Asmens ceļa kontrollozīņš padara regulējumus vieglāk saskatāmus.

### BĪDĪŠANAS NŪJA

Vienmēr izmantojiet stumšanas nūju, lai virzītu zāgējamo materiāli, līdz tas ir pāri galdam.

### VAĻĪGO DETALU SARAKSTS

Apraksts	Daudz.
Paplākšņi	7
Galda fiksācijas svira	1
Sešstūrveida uzgriežņu atslēga , 3 mm	1
Sešstūrveida uzgriežņu atslēga , 4 mm	1
Sešstūrveida uzgriežņu atslēga , 5 mm	1
Leņķa skala	1
Uzgriežņi ar cepurītēm	4
Pēda	4
Zāga galds	1
Fiksācijas skrūves	2
Seškanšu uzgriežņi	2
Pagarinājuma atbalsts	1
Galda atdure	1
Bīdīšanas nūja	1
Lietotāja rokasgrāmata	1

### MONTĀŽA

#### IZSAIŅOŠANA

Šim izstrādājumam ir nepieciešama salikšana.

- Uzmanīgi izceliet izstrādājumu no kastes un novietojiet uz līdzenas darba virsmas.





## Latviski (Tulkojums no oriģinālās dokumentācijas)

### ▲ BRĪDINĀJUMS

Neizmantojiet šo izstrādājumu, ja kāda no daļām, kas minēta Atsevišķo detaļu sarakstā, jau ir uzstādīta, kad izpakojat jūsu izstrādājumu. Daļas, kas minētas šajā sarakstā, no rūpnīcas tiek piegādātas nesaliktā veidā, to salikšana ir paredzēta patērētājam. Izmantojot izstrādājumu, kas var būt nepareizi salikts, var izraisīt smagus ievainojumus.

- Rūpīgi pārbaudiet instrumentu, lai pārliecinātos, ka pārvadšanas laikā tas nav salūzis vai bojāts. **PIEZĪME:** Zāģis tiek piegādāts ar nenospriegotu asmeni. Negrieziet zāģa asmeni, līdz nav veikta pareiza asmens spriegojuma iestatīšana.
- Neizmetiet iepakojumu, līdz neesat rūpīgi pārbaudījis un izmēģinājis, vai instruments darbojas apmierinoši.
- Ja kāda no daļām ir bojāta vai trūkst, griezieties pēc palīdzības jūsu servisa centrā.

### ▲ BRĪDINĀJUMS

Ja kāda no daļām ir bojāta vai trūkst, nelietojiet šo izstrādājumu, līdz šīs daļas ir nomainītas. Izmantojot izstrādājumu ar bojātām vai trūkstošām daļām var būt smagus ievainojumus.

### ▲ BRĪDINĀJUMS

Nemēģiniet modificēt šo instrumentu vai izveidot piederumus, kas nav paredzēti lietošanai ar šo rīku. Jebkādas šādas izmaiņas vai modifikācijas ir lietošanas noteikumu pārkāpums, kas var radīt nopietnu traumu risku.

### ▲ BRĪDINĀJUMS

Nepievienojiet sprieguma avotam, līdz salikšana ir pabeigta. Neievērojot šo brīdinājumu, pastāv iespēja nejausi iedarbināt zāģi un būt smagus ievainojumus.

## IZSTRĀDĀJUMA UZSTĀDĪŠANA UZ DARBA SOLA

Ja izstrādājumu paredzēts izmantot nemainīgā vietā, tā uzstādīšanu jāveic uz stabilas atbalsta virsmas, kā darba sola. Zāģa pamatnē šim nolūkam ir paredzētas četras skrūvju atveres. Skrūvēm (nav komplektācijā) ir jābūt pietiekoši garām, lai tās sniegtos cauri zāģa pamatnei, atspēru paplākšņiem (nav komplektācijā), uzgriežņiem (nav komplektācijā) un darba sola biežumam. Rūpīgi pievelciet visas četras skrūves.

Rūpīgi pārbaudiet darba solu pēc uzstādīšanas, lai pārliecinātos, ka darba laikā tas nevar izkustēties. Ja tiek pamanīta šūpošanās, sfidēšana vai staigāšana, pirms

darba uzsākšanas nostipriniet solu pie grīdas.

- Novietojiet izstrādājumu uz sola. Izmantojot zāģa pamatni kā šablonu, atrodiet un atzīmējiet atveres, caur kurām izstrādājums ir jānostiprina.
- Izurbiet caurumus caur darba solu.
- Novietojiet lentzāģi uz darba sola, savietojot atveres zāģa pamatnē ar solā izurbtajiem caurumiem.
- Ievietojiet skrūves (nav komplektācijā) un rūpīgi tās novelciet, izmantojot atspēru paplākšņus un uzgriežņus (nav komplektācijā). **PIEZĪME:** visas skrūves ir jāievieto no augšas. Uzstādiat atspēru paplākšņus un uzgriežņus no sola apakšas puses.

## IZSTRĀDĀJUMA PIESTIPRINĀŠANA DARBA SOLAM AR SPAILĒM

Skatiet 4. attēlu.

Ja izstrādājumu paredzēts lietot kā pārvietojamu instrumentu, ieteicams to nekustīgi nofiksēt uz montāžas dēļa, kuru pēc tam var ar spailēm nostiprināt uz darba sola vai citas atbalsta virsmas. Montāžas dēlim ir jābūt pietiekoši liela izmēra, ka novērstu zāģa saskaršanos lietošanas laikā. Izmantošanai derēs jebkura labas kvalitātes finiera vai skaidu plāksne.

Ja paredzēts izmantot kokskrūves, tām jābūt pietiekoši garām, lai ietu cauri zāģa pamatnei un materiālam, uz kura zāģis tiks nostiprināts. Ja paredzēts izmantot skrūves un uzgriežņus, pārbaudiet, vai tās ir pietiekoši garas, lai sniegtos cauri zāģa pamatnei, materiālam, uz kuras zāģis tiks stiprināts, un paliktu vieta atspēru paplākšņiem un uzgriežņiem.

## PIEZĪME: IESPĒJAMS, KA NEPIECIEŠAMS VEIKT UZGRIEŽŅU UN PAPLĀKŠŅU IEGREMDĒŠANU MONTĀŽAS DĒĻĀ APAKŠĒJĀ VIRSMĀ.

- Uzstādiat zāģi uz dēļa, izmantojot atveres zāģa pamatnē kā šablonu cauruma atzīmēšanai. Atrodiet un atzīmējiet atveres, caur kurām lentzāģis tiks stiprināts.
- Turpiniet ar tālākiem trīs soļiem no sadaļas Izstrādājuma uzstādīšana uz darba sola iepriekš šajā rokasgrāmatā.

## ZĀĢA GALDA UZSTĀDĪŠANA

Skatīt attēlus 5, 7.

- Izņemiet d-uzgriezni, paplākšņus un spārnu skrūvi no zāģa galda.
- Stāvot no lentzāģa priekšpusē, uzbīdiat zāģa galdu gar asmeni, virzot to caur spraugu, virzienā no labās zāģa galda puses uz kreiso.
- Turot zāģa galdu ar kreiso roku un atvelkot leņķa regulēšanas pogu nost no zāģa rāmja, savietojiet zobus uz zāģa galda kronšteina ar zobiem uz leņķa regulēšanas pogas. Atlaidiet pogu.





## Latviski (Tulkojums no oriģinālās dokumentācijas)

- Ievietojiet rāmja tapas zāģa galda kronšteina atverēs.
- Uzlieciet paplāksni uz galda fiksācijas sviras vītņotā gala. Pievelciet zāģa galdu pie zāģa rāmja, griežot galda fiksācijas sviru pulksteņrādītāja virzienā.
- Uzlieciet d-uzgriezni, paplāksņus un spāru skrūvi zāģa galdam.

**PIEZĪME:** Spārnu skrūve atrodas zem zāģa galda.

### ATBALSTA PAPLAŠINĀJUMA UZSTĀDĪŠANA

Skatiet 6. attēlu.

- Ievietojiet atbalsta pagarinājuma caurules atverēs zāģa pamatnē no aizmugures.
- Savietojiet atveres caurulēs ar atverēm zāģa pamatnē.
- Ievietojiet fiksācijas skrūves, uzlieciet paplāksņus un novelciet ar uzgriežņiem.

### ZĀĢA GALDA IESTATĪŠANA LEŅĶĪ PRET ASMENI

Skatīt attēlus 8 - 9 .

- Pagrieziet fiksācijas pogu pretī pulksteņrādītāja virzienam, lai atbrīvotu asmens vadotnes mezglu. Griežot asmens vadotnes regulēšanas pogu pulksteņrādītāja virzienā, paceliet asmens vadotni augšup līdz galam. Griežiet fiksācijas pogu pulksteņrādītāja virzienā, lai nofiksētu.
- Uzlieciet mazo kombinēto leņķi uz galda blakus asmenim.
- Atlaidiet galda fiksācijas sviru un griežiet leņķa regulēšanas pogu, lai paliektu galdu augšup vai lejup un sasniegtu 90° leņķi pret asmeni (0° stāvoklis). Pievelciet galda fiksācijas sviru.
- Griežiet regulēšanas skrūvi, līdz tā tikko pieskaras zāģa korpusam.
- Pārbaudiet, vai zāģa galda leņķis pret asmeni ir taisns. Veiciet papildus regulēšanu, ja nepieciešams.
- Iestatiet skalas indikatoru uz nulli un pievelciet skrūvi ar krustiņa skrūvgriezi.

**PIEZĪME:** vienmēr veiciet izmēģinājuma zāģēšanu, lai nodrošinātu asmens atrašanos taisnā leņķī, pirms katra jauna projekta. Ja leņķis nav tais, var būt nepieciešams atlaist skrūves zem zāģa galda, lai veiktu regulēšanu (slīpuma rievai jābūt paralēlai zāģa asmenim). Kad leņķis iestatīts, pievelciet skrūves.

### ASMENS SPRIEGOJUMA REGULĒŠANA

Skatīt attēlus 10 - 11 .

- Izslēdziet instrumentu.
- Pirms lentzāģa izmantošanas, griežiet asmens spriegošanas pogu zāģa augšpusē pulksteņrādītāja virzienā, lai nostieptu lenti.
- **PIEZĪME:** asmens spriegojuma regulēšanu var veikt jebkurā laikā.

- Pastrinkšķiniet asmens taisno malu, līdzīgi kā ģitāras stīgu, griežot spriegojuma pogu.

Palielinoties spriegojumam, skaņas tonis paliek augstāks. Nekad nenovelciet asmeni tik cieši, kad atspere ir pilnīgi saspiesta. Pilnīgi saspiestā stāvoklī atspere vairs nevar darboties kā amortizators.

Pārāk liels spriegojums var izraisīt asmens saplīšanu. Biezākiem apstrādājamiem gabaliem nepieciešams lielāks spriegojums, maksimālais spriegojums nav nepieciešams visos gadījumos. Pārāk mazs spriegojums var izraisīt asmens slīdēšanu pa ratiem.

### ASMENS CEĻA IESTATĪŠANA

Skatiet 11. attēlu.

Pirms asmens ceļa iestatīšanas, noregulējiet pareizu spriegojumu. Pārlicinieties, ka asmens vadotnes netraucē asmenim. Asmens iezobei (asmens zobu dziļākā daļa) ir jāatrodas pret gumijas uzlikas centru.

### Lai to regulētu:

Atvienojiet no sprieguma. Atveriet priekšējos vākus, atskrūvējot vāka fiksācijas skrūvi. Skatieties asmens stāvokli uz augšējās gumijas uzlikas, vienlaikus ar roku griežot augšējo ratu pulksteņrādītāja virzienā. Ja asmens novirzās no uzlikas centra, tā gājiens ir jāpie regulē.

### Ja asmens novirzās pa kreisi vai pa labi no centra:

- Griežiet asmens gājienu skrūvi (pulksteņrādītāja virzienā, ja asmens virzās pa kreisi, pretēji, ja asmens virzās pa labi), vienlaikus griežot ratu ar roku, līdz asmens atvirzās atpakaļ un turpina kustību pa gumijas uzlikas centru.
- Pārbaudiet stāvokli uz apakšējā rata uzlikas. Asmenim ir pilnībā jāatrodas uz rata uzlikas (asmens iezobei jābūt tās centrā). Ja tā nav, pie regulējiet gaitu, līdz asmens ir vienādi uz abu ratu uzlikām.
- Griežiet augšējo ratu ar roku pulksteņrādītāja virzienā vēl dažus apgriezienus. Pārlicinieties, ka asmens turpina atrasties tajā pašā vietā uz abiem ratiem. Ja nepieciešams, pie regulējiet, līdz asmens gaita ir pareiza.
- Aizveriet priekšējos vākus un pievelciet vāku fiksācijas skrūvi.
- Ieslēdziet instrumentu.
- Pārbaudiet, vai zāģa asmens atrodas uz rata uzlikas centra (caur gaitas kontrollozdiņu). Ja tas nav centrēts, atkārtotiet iepriekšējos soļus.





## Latviski (Tulkojums no oriģinālās dokumentācijas)

### ▲ BRĪDINĀJUMS

Asmens vadotnes tiek iestatītas ražotnē. Šie iestatījumi ir nepieciešami atsevišķiem pielietojumiem. Mēs iesakām jums pārbaudīt un noregulēt zāģa vadotņu iestatījumus pirms lietot zāģi pirmo reizi. Skatīt "Piedziņas gultņu un asmens vadotņu balstu regulēšana" procedūras, kas izklāstītas šīs rokasgrāmatas sadaļā Regulēšana.

### ZĀĢĒŠANAS IEROBEŽOTĀJA ATDURES UZSTĀDĪŠANA

- Uzlieciet atduri uz zāģa galda kreisās puses ar fiksācijas rokturi priekšpusē.
- Nospiediet uz leju fiksācijas rokturi, lai nofiksētu atdures stāvokli.
- Grieziet fiksācijas rokturi, lai regulētu skavu ciešumu.

### EKSPLUATĀCIJA

### ▲ BRĪDINĀJUMS

Neļaujiet tam, ka esat iepazinies ar produktiem, padarīt jūs bezrūpīgu. Atcerieties, ka ar īsu neuzmanības brīdi ir pietiekami, lai izraisītu nopietnas traumas.

### ▲ BRĪDINĀJUMS

Vienmēr lietojiet aizsargbrilles. Ja tas netiek ievērots, jūsu acis var lidot objekti, tādējādi radot nopietnas traumas

### ▲ BRĪDINĀJUMS

Neizmantojiet piederumus, kas nav paredzēti lietošanai ar šo produktu. Ja tiek lietotas papildierīces vai piederumi, ko nav ieteicis ražotājs, tas var novest pie nopietnām traumām.

### ▲ BRĪDINĀJUMS

Lai novērstu saskarsmi ar asmeni, iestatiet asmens vadotnes mezglu tā, lai tas atrastos tikai nedaudz atstatu no zāģējāmā gabala. Neievērošana var izraisīt nopietnus miesas bojājumus.

### ▲ BRĪDINĀJUMS

Nekad neizmantojiet izstrādājumu bez nostiprināta asmens aizsarga vai aizvērtiem priekšējiem vākiem. Šādi rīkojoties var gūt smagus ievainojumus.

### LENTZĀĢA LIETOŠANAS PAMATI

Lentzāģis būtībā ir "līkņu griešanas" iekārta, kuru var izmantot arī zāģēšanai taisnā līnijā - šķērgriezumu, leņķa griezumu, slīpu griezumu, saliktu griezumu un iegriezumu veidošanai. Izmantojot lentzāģi zāģēšanai taisnā līnijā, lietotājs var uzstādīt atduri, izmantojot attiecīga izmēra koksnes gabalu, kas tiek piestiprināts galdam ar spailēm. Ar šo zāģi nevar veikt iekšējos griezumus vai tādus, kuri neiet cauri materiālam.

Pirms sākt zāģēšanu, brīdi novērojiet iekārtu. Ja novērojat pārmērīgu vibrāciju vai neparastu troksni, nekavējoties apturiet. Izslēdziet iekārtu un atvienojiet no sprieguma. Neieslēdziet atkārtoti, līdz atrodat un novēršat problēmu.

### ZĀĢĒŠANAS DARBĪBAS

- Vienmēr turiet materiālu stingri piespiestu galdam.
- Izmantojiet abas rokas un nelielu spiedienu, virzot zāģējamo materiālu pret asmeni. Neizmantojiet pārmērīgu spiedienu, ļaujiet zāģim griezt.
- Mazāko izgriezamā apļa diametru nosaka izmantojamā asmens platums. 6,35 mm (1/4") plats asmens izgriezīs apli ar minimālu diametru 38 mm (1-1/2").
- Neturiet rokas asmens tuvumā. Neturiet ar roku nelielus materiāla gabalus, ja pirksti virzīsies zem asmens aizsarga.
- Izvairieties no neērtas lietošanas ar roku stāvokļa, kad pēkšņa paslīdēšana var izraisīt saskaršanos ar asmeni un smagus ievainojumus. Nekad nenovietojiet rokas asmens ceļā.
- Izmantojiet papildus atbalstus (galdus, steķus, klučus utml.), ja zāģējat lielus, mazus vai neērtus materiāla gabalus.
- Nekad neizmantojiet citu cilvēku, kā aizvietotāju galda paplašinājumam vai kā papildus balstu apstrādājamam gabalam, kas ir garāks vai platāks kā standarta zāģa galds.
- Zāģējot neregulāras formas gabalus, plānojiat darbu tā, lai novērstu asmens iespiešanu. Piemēram, dekoratīvās līstes gabalam ir jāatrodas plakani uz galda. Apstrādājamais gabals zāģēšanas laikā nedrīkst liekties, šūpoties vai slīdēt.

Virzot apstrādājamo gabalu atpakaļ, asmens var ieķerties iegriezumā. To parasti izraisa zāģēšanas putekļu uzkrāšanās iegriezumā, vai asmenim novirzoties no vadotnēm. Ja tas notiek:

- Izslēdziet instrumentu. Nogaidiet, līdz zāģis ir pilnīgi nekustīgi apstājies. Atvienojiet izstrādājumu no sprieguma.
- Papletiet iegriezumu, izmantojot plakanu skrūvgriezi vai koka ķīli.
- Atveriet priekšējo vāku un grieziot augšējo ratu ar



## Latviski (Tulkojums no oriģinālās dokumentācijas)

roku, vienlaikus virzot zāģējamo materiālu atpakaļ.

### PAPILDUS GRIEZUMI

Papildus griezumus jāveic, ja nepieciešams veikt samazināta rādiusa (pārāk maza priekš attiecīgā asmens platuma) iegriezumus. Veiciet iegriezumu caur apstrādājamā materiāla atgriezumam daļu līdz kontūras līnijai, tad uzmanīgi atvirziet atpakaļ. Nepieciešams veikt vairākus papildus griezumus šaura rādiusa līknēm, pirms veikt zāģējumu pa kontūras līniju, nogriežot iezāģētos gabalus, līdz ar to "noņemot" spiedienu no asmens.

### VĪTNĒVIDA GRIEZUMS

Vispārējai līkņu griešanai, sekojiet kontūras līnijai, vienlaikus stumjot un griežot apstrādājamo materiālu. Nemēģiniet griezt materiālu, ja tajā atrodas asmens, vienlaikus to nestumjot uz priekšu - materiāls var iekļīstēt var saliekt asmeni.

### IESPRŪDUŠĀ MATERIĀLA IZŅEMŠANA

Nekad neizņemiet iesprūdušos nogrieztos materiāla gabalus, pirms zāģa asmens nav pilnīgi apstājies.

- Izslēdziet instrumentu. Nogaidiet, līdz zāģis ir pilnīgi nekustīgi apstājies.
- Pirms iesprūdušo gabaliņu izņemšanas atvienojiet ierīci no sprieguma avota.

### IZVAIRĪŠANĀS NO SAVAINOJUMIEM

- Nodrošiniet, ka zāģis stāv līdzeni un nešūpojas. Zāģim vienmēr jābūt uz stabilas, līdzenas virsmas ar pietiekoši lielu telpu ap to, lai rīkotos ar materiālu un pietiekoši to balstītu.
- Pieskrūvējiet zāģi atbalsta virsmai, lai novērstu slīdēšanu, pārvietošanos vai novirzīšanos tādu darbu, kā garu vai smagu dēļu griešanas laikā.
- Izslēdziet zāģi un atvienojiet vadu no sprieguma avota pirms pārvietot zāģi.
- Neizņemiet iesprūdušos nogrieztos materiāla gabalus, pirms zāģa asmens nav pilnīgi apstājies.
- Izvēlieties plānotajam izmantojamam materiāla un griešanas veidam piemērota izmēra un stila zāģa asmeni.
- Pārliecinieties, ka asmens zobi ir vērsti lejup pret zāģa galdu, asmens vadotnes, piedziņas gultņi un asmens spriegojums ir pareizi noregulēti, asmens vadotnes poga ir pievilktā un nevienai no daļām nav pārmērīga brīvģājiena.
- Lai izvairītos no nejaušas pieskaršanās asmenim, samazinātu asmens plīšanas iespēju un sniegtu tam maksimālo atbalstu, vienmēr noregulējiet asmens vadotnes mezglu, lai tas ir tikai nelielā attālumā no apstrādājamā materiāla.
- Izmantojiet tikai ieteiktos piederumus.

- Izņemot apstrādājamo materiāla un atbilstošās atbalsta ierīces, novāciet jebko citu no galda, pirms ieslēgt zāģi.
- Atbilstoši atbilstiet apaļus materiālus kā mietus vai caurules, jo tiem ir tendence ripot zāģēšanas laikā, izraisot zāģa "iekošanos". Lai to novērstu, vienmēr izmantojiet V veida klucīti vai nostipriniet gabalu ar skavu pie pamatnes.
- Pirms noņemt nozāģētos gabalus no zāģa galda, izslēdziet zāģi un nogaidiet, līdz visas kustīgās daļas apstājas.

### IZSTRĀDĀJUMA IESLĒGŠANA/IZSLĒGŠANA

Skatiet 12. attēlu.

- Nospiediet "I", lai ieslēgtu izstrādājumu.
- Nospiediet "O", lai izslēgtu izstrādājumu.

### PIRMS AIZIET NO IZSTRĀDĀJUMA

Skatiet 12. attēlu.

- Izslēdziet instrumentu. Nogaidiet, līdz zāģis ir pilnīgi nekustīgi apstājies.
- Atvienojiet izstrādājumu no sprieguma.
- Padariet darbnīcu drošu bērniem.
- Atbrīvojiet zāģa asmens spriegojumu, izmantojot Rapidset™ asmens spriegojuma sviru, lai pagarinātu asmens darba mūžu.
- Noslēdziet darbnīcu.

### DARBA APGAISMOJUMA IESLĒGŠANA/IZSLĒGŠANA

Skatiet 13. attēlu.

- Nospiediet "A", lai ieslēgtu darba apgaismojumu.
- Nospiediet "O", lai izslēgtu darba apgaismojumu.

### GALDA NOLIEKŠANA

Skatiet 14. attēlu.

- Nedaudz atbrīvojiet galda fiksācijas pogu.
- Pagrieziet leņķa regulēšanas pogu, sagāžot zāģa galdu, līdz tas sasniedz vēlamu leņķi.
- Izmantojot skalas indikatoru, pārbaudiet leņķa rādījumus.
- Pievelciet galda fiksācijas pogu, lai stabili noturētu galdu šādā stāvoklī.

### ŠĶĒRSLEŅĶA IZMANTOŠANA

Skatīt attēlus 15 - 16 .

Šķērsleņķi var iestatīt maksimāli 60° pa labi vai pa kreisi.

- Atļaidiet šķērsleņķa fiksācijas pogu uz atdures.
- Kad šķērsleņķa atdure atrodas tās rievā, pagrieziet atduri līdz vēlamajam leņķim, kas parādās uz skalas.
- Novelciet fiksācijas pogu.





## Latviski (Tulkojums no oriģinālās dokumentācijas)

### ZĀĢĒŠANAS IEROBEŽOTĀJA ATDURES IZMANTOŠANA

Zāģēšanas ierobežotājs tiek izmantots visām gareniskās zāģēšanas gadījumam. Nekad nezāģējiet gareniski, ja atdure nav uzstādīta un kārtīgi nostiprināta.

- Novietojiet atduri vēlamajā griešanas platumā un nostipriniet to vietā.
- Pirms sākt zāģēšanu, pārliecinieties, ka atdure atrodas paralēli zāģa asmenim. Zāģējot gareniski garus dēļus vai lielus paneļus, vienmēr izmantojiet darba atbalstus.
- Turiet materiālu piespiestu atdurei un stumiet to pret zāģa asmeni ar līganu, vienmērīgu spiedienu.

### REGULĒŠANA

#### ▲ BRĪDINĀJUMS

Pirms veikt regulēšanu, pārliecinieties, ka instruments ir atvienots no sprieguma padeves un slēdzis ir izslēgtā stāvoklī. Šī brīdinājuma neievērošana var izraisīt nopietnas traumas.

#### ▲ BRĪDINĀJUMS

Lai izvairītos no savainojumiem, uzturiet pareizu asmens spriegojumu, asmens vadotņu un piedziņas gultņu stāvokli.

### ASMENS UZSTĀDĪŠANA UN REGULĒŠANA

Skatiet 17. attēlu.

- Atlaidiet un izņemiet d-uzgriezni, paplāksņus un spārnu skrūvi no zāģa galda.
- Atveriet priekšējos vākus, atskrūvējot vāka fiksācijas skrūvi.
- Pagrieziet fiksācijas pogu pretī pulksteņrādītāja virzienam, lai atbrīvotu asmens vadotnes mezglu. Griežot asmens vadotnes pogu (pulksteņrādītāja virzienā, lai paceltu un pretēji, lai to nolaistu), novietojiet asmens vadotnes mezglu aptuveni pusceļā starp zāģa galdu un zāģa korpusu. Novelciet fiksācijas pogu.
- Atveriet zāģa aizsargu, velkot tā kreiso pusi uz āru un nost no rata.
- Pilnīgi atbrīvojiet zāģa asmeni, atlaižot spriegojumu.
- Uzmaniģi noņemiet veco asmeni.
- Valkājot cimdus, uzmanīgi atritiniet no rītuļa jauno asmeni rokas garumā. Ja jaunais asmens ir saelļots, lai novērstu rūšēšanu, varbūt ir nepieciešams to noslaucīt, lai eļļa nenonāktu uz apstrādājamā materiāla. Uzmanīgi noslaukiet, virzoties tādā pašā

virzienā, kā vērsti zāģa zobu gali, lai lupata nekerts uz zāģa zobiem.

**PIEZĪME:** Iespējams, ka asmeni ir jāizvērš uz otru pusi, ja zobi ir vērsti nepareizā virzienā. Turiet asmeni ar abām rokām un apvēršiet to virzienā uz iekšpusi.

- Zāģa zobiem atrodoties tā kreisajā pusē un vērstiem uz leju, uzlieciet asmeni caur apakšējām asmens vadotnēm un ap abiem ratiem.
- Lēnām griežiet augšējo ratu pa labi, jeb pulksteņrādītāja virzienā, lai nocentrētu asmeni uz abu ratu gumijas uzlikām.
- Pārvietojiet atpakaļ RapidSet™ asmens spriegojuma sviru, tad noregulējiet asmens spriegojumu, pārbaudiet un noregulējiet asmens gājienu.
- Noregulējiet augšējo un apakšējo asmens vadotni un piedziņas gultņus kā izklāstīts tālāk Lietotāja rokasgrāmatā.
- Ievietojiet vietā un saskrūvējiet spārnu skrūvi, paplāksņus un d-uzgriezni. Kārtīgi novelciet.
- Aizveriet asmens aizsargu un priekšējo vāku. Pievelciet vāka fiksācijas skrūvi.

### ASMENS VADOTNES MEZGLA REGULĒŠANA

Skatīt attēlus 18 - 19.

Lai novērstu asmens savērpēšanos vai saplīšanu, asmens vadotnes mezgls vienmēr jāiestata aptuveni 3,2 mm (1/8") virs apstrādājamā materiāla.

- Pagrieziet fiksācijas pogu pretī pulksteņrādītāja virzienam, lai atbrīvotu asmens vadotnes mezglu.
- Kā paraugu izmantojiet jūsu zāģējamā materiāla biežumam atbilstošu gabaliņu, lai iestatītu asmens vadotnes mezgla augstumu. Noregulējiet asmens vadotnes mezglu, griežot asmens vadotnes pogu.
- Nofiksējiet asmens vadotnes mezglu, griežot fiksācijas pogu pulksteņrādītāja virzienā.
- Vienmēr nofiksējiet asmens vadotnes mezglu, pirms iedarbināt lentzāģi.

### ASMENS VADOTNES ATBALSTA UN PIEDZIŅAS GULTŅU REGULĒŠANA

Skatīt attēlus 20 - 21.

**PIEZĪME:** Pievelciet fiksācijas pogu un skatiet "Asmens spriegojuma regulēšana" un "Asmens gājienu iestatīšana" procedūras, kas aprakstītas šīs Lietotāja rokasgrāmatas sadaļā SĀLIKŠANA, pirms veikt regulējumus.

Augšējais un apakšējais asmens piedziņas gultņi atbalsta un virza zāģa asmeni zāģēšanas laikā. Gultņu un asmeņu regulējumus ir jāpārbauda katru reizi, kad tiek uzstādīts cits asmens.



## Latviski (Tulkojums no oriģinālās dokumentācijas)

### Lai noregulēti piedziņas gultņus:

Piedziņas gultņiem jāatbalsta zāģa asmens aizmugurējā mala zāģēšanas laikā. Asmenim nav jāpieskaras piedziņas gultņiem, kad zāģēšana tiek pārtraukta. Ir svarīgi, ka gan augšējais, gan apakšējais piedziņas gultnis tiek noregulēts vienādi.

- Atveriet priekšējos vākus un asmens aizsargu.
- Izmantojot seškanšu atslēgu, atlaidiet augšējā un apakšējā piedziņas gultņu skrūves un atvirziet piedziņas gultņus uz zāģa aizmuguri.
- Pārļiecinieties, ka zāģa asmens gājiens ir pareizs, tad virziet piedziņas gultni uz priekšu, līdz gultnis atrodas 0,4 mm (1/64") attālumā no asmens. Kārtīgi pievelciet piedziņas gultņa skrūvi.
- Virziet apakšējo gultni uz priekšu, līdz tam ir pareizs atstatums. Kārtīgi pievelciet piedziņas gultņa skrūvi.

### Lai noregulētu asmens vadotnes atbalstu:

- Atlaidiet asmens vadotnes atbalsta un asmens vadotnes mezgla skrūves, izmantojot seškanšu atslēgas.
- Pabīdīet augšējo asmens atbalstu pa asi, līdz vadotņu priekšējā mala saskaras ar zāģa asmeni aiz izejas. Kārtīgi pievelciet skrūvi.
- Pabīdīet labo vadotni, līdz tā saskaras ar asmeni un atlaidiet. Lēnām apgrieziet ratu vienu pilnu apgriezieni. Novelciet asmens vadotnes mezgla skrūves.
- Noregulējiet kreisās puses vadotni, lai paliktu 0,4 mm (1/64") sprauga starp asmeni un vadotni (aptuveni spēļu kārts biežums) ievietojot attiecīga biežuma plāksni starp kreiso vadotni un asmeni.
- Uzspiediet uz kreisās vadotnes tapas, lai noturētu plāksnīti vietā. Novelciet mezgla skrūvi un izņemiet plāksnīti.
- Ar roku apgrieziet pilnus trīs apgriezienus, lai pārļiecinātos, ka asmens neķeras.
- Aizveriet asmens aizsargu un priekšējo vāku. Nofiksējiet ar skrūvi.

Atkārtojiet šo procedūru ar apakšējo asmens vadotnes atbalstu.

### ZĀĢĒŠANAS IEROBEŽOTĀJA ATDURES REGULĒŠANA

- Atlaidiet fiksācijas rokturi, griežot to pret pulksteņrādītāja virzienā.
- Pārvietojiet atduri vēlamajā stāvoklī.
- Nospiediet uz leju fiksācijas rokturi, lai nofiksētu atdures stāvokli.
- Griežiet fiksācijas rokturi, lai regulētu skavu ciešumu.

### APKOPE

#### ▲ BRĪDINĀJUMS

Veicot apkopi, izmantojiet tikai identiskas rezerves daļas. Jebkādi citu detaļu izmantošana var izraisīt bīstamību vai produkta bojājumus.

#### ▲ BRĪDINĀJUMS

Vienmēr darba laikā valkājiet acu aizsarglīdzekļus. Ja darbība ir saistīta ar putekļu rašanos, uzlieciet arī putekļu masku.

#### ▲ BRĪDINĀJUMS

Pirms veikt apkopi, pārļiecinieties, ka instruments ir atvienots no sprieguma padeves un slēdzis ir izslēgtā stāvoklī. Šī brīdinājuma neievērošana var izraisīt nopietnas traumas.

### VISPĀRĒJĀ APKOPE

Tirot plastmasas daļas, izvairieties no šķīdinātāju lietošanas. Vairums plastmasu bojājas no pārdošanā pieejamo šķīdinātāju iedarbības. Izmantojiet tīru drānu, lai notīrītu netīrumus, putekļus, eļļu, ziežvielas utt.

#### ▲ BRĪDINĀJUMS

Nekādā gadījumā plastmasas daļām neļaujiet nonākt saskarē ar bremžu šķidrums, benzīnu, naftas izstrādājumiem, eļļām ar paaugstinātu mitrināšanas spēju utt. Ķīmikālijas var sabojāt, novājināt vai iznīcināt plastmasu, kas var izraisīt nopietnas personīgās traumas.

- Uzturiet instrumentu tīru.
- Regulāri iztīriet no instrumenta iekšpuses zāģēšanas putekļus.
- Neļaujiet sveķiem uzkrāties uz zāģa galda, asmens vadotnēm vai piedziņas gultņiem. Notīriet tos ar sveķu tīrīšanas līdzekļiem.
- Uzklājiet zāģa galda virsmai plānu kārtu auto kopšanas vaska, lai koksne pa to vieglāk slīdētu.

### Eļļošana

Visi gultņi šajā instrumentā tiek eļļoti ar pietiekamu daudzumu augstas kvalitātes smērvielas, lai ierīce normālas lietošanas režīmā kalpotu visu darbību. Tāpēc papildu eļļošana nav nepieciešama.

## Latviski (Tulkojums no oriģinālās dokumentācijas)

### RATU UZLIKAS

#### Ratu uzliku tīrīšana:

- Uz ratu uzlikām uzkrājas darva un zāģēšanas putekļi, tos nepieciešams notīrīt, izmantojot smalku drāšu birsti vai koka gabalu. **Neizmantojiet asu nazi vai jebkādu šķīdinātāju.**

#### Ratu uzliku nomaīņa:

- Atveriet priekšējo vāku un noņemiet zāģa asmeni. Skatīt sadaļu Asmens uzstādīšana un regulēšana
- Uzmanīgi noplēsiet nodilušo uzliku no rata.
- Apstiepiet jauno uzliku ap ratu.
- Uzlieciet vietā zāģa asmeni un aizveriet priekšējo vāku.

### SUKA

#### Skatiet 22. attēlu.

Zāģa korpusā blakus ritenim atrodas suka. Tā palīdz aizsargāt ratu un tā uzliku, slaukot nost putekļus. Kad suka nodilst, to nepieciešams regulēt vai nomainīt.

- Izskrūvējiet skrūvi un kopā ar paplāksni izņemiet to un izvelciet suku.
- Ievietojiet rievā jaunu suku.
- Uzstādiet vietā, izmantojot paplāksni un skrūvi.

### TRANSPORTĒŠANA UN UZGLABĀŠANA

#### Skatīt attēlus 23 - 24 .

- Pārvadājot ierīci, atvienojiet sprieguma padeves vadu, nolaidiet asmens aizsargu un nomontējiet ierīci. Glabājiet bīdīšanas nūju uz augšējā korpusa sāna. Paceliet izstrādājumu aiz augšējā korpusa, kā parādīts attēlā. Glabājiet ierīci drošā vietā, kas nav pieejama bērniem.
- Pirms uzglabāšanas, notīriet ierīci ar otīņu vai putekļu sūcēju.

### VIDES AIZSARDZĪBA



Tā vietā, lai izejmateriālus izmestu atkritumos, nododiet tos otrreizējai pārstrādei. Mašīna, aksesuāri un iepakojums ir jāsašķiro un jānodod videi draudzīgā atkārtotas pārstrādes vietā.

### SIMBOLS



Drošības brīdinājums



CE atbilstība



Pirms iedarbināt izstrādājumu, lūdzu, uzmanīgi izlasiet norādījumus.



Valkājiet acu aizsarglīdzekļus



Lietojiet dzirdes aizsargus



**BĪSTAMI!** Ass asmens.



Bloķētājs



Atbloķēt



Maksimālais griešanas dziļums



Maksimālais griešanas platumš



Maksimālais griešanas leņķis



Darbības ātrums



Asmens izmērs



Instrumentu pirms apkopes ir jāatvieno no sprieguma padeves.



Izlietotie elektroprodukti nedrīkst tikt izmesti kopā ar majsaimniecības atkritumiem. Lūdzu, nododiet tos attiecīgajās atkār tosas izmantošanas vietās. Sazinieties ar savu vietējo varas pārstāvi vai izplatītāju, lai noskaidrotu, kur iespējama atkārtota pārstrāde.



## Latviski (Tulkojums no oriģinālās dokumentācijas)

### TRAUCĒJUMMEKLĒŠANA

Problēma	Iespējamais iemesls	Risinājums
Motors nedarbojas	<ol style="list-style-type: none"> <li>1. Problēma ar ieslēgšanas/izslēgšanas slēdzi vai sprieguma padeves vadu.</li> <li>2. Bojāts motors.</li> <li>3. Asmens liecas.</li> </ol>	<ol style="list-style-type: none"> <li>1. Nomainiet nodilušās daļas, pirms atsākt izstrādājuma izmantošanu.</li> <li>2. Nemēģiniet veikt jebkādu remontu. Instruments ir jāremontē kvalificētam speciālistam.</li> <li>3. Izņemiet iesprūdušo materiālu</li> </ol>
Asmens nevirzās pareizi pa augšējā rata centru.	<ol style="list-style-type: none"> <li>1. Nav pareizs gājiens.</li> </ol>	<ol style="list-style-type: none"> <li>1. Noregulējiet gājienu, skatīt sadaļu REGULĒŠANA, "Asmens gājiena iestatīšana".</li> <li>2. Bojājumu gadījumā nekavējoties vērsieties pie kvalificēta pārstāvja, lai to nomainītu.</li> </ol>
Zāģējot lentzāģis samazina ātrumu.	<ol style="list-style-type: none"> <li>1. Tiek zāģēts ar pārāk mazu rādiusu.</li> <li>2. Nodilis asmens.</li> </ol>	<ol style="list-style-type: none"> <li>1. Pārtrauciet padevi un pavelciet zāģējamo materiālu nedaudz atpakaļ, līdz lentzāģis uzņem ātrumu.</li> <li>2. Nomainiet asmeni.</li> </ol>
Asmens lūzt.	<ol style="list-style-type: none"> <li>1. Pārāk liels asmens spriegojums.</li> <li>2. Iespējams asmens, ko rada zāģēšana ar pārāk mazu rādiusu vai zāģējot griežot materiālu pārāk ātri.</li> <li>3. Piedziņas gultņi ar redzamiem bojājumiem vai negriežas.</li> </ol>	<ol style="list-style-type: none"> <li>1. Noregulējiet spriegojumu. Skatīt sadalu REGULĒŠANA, "Asmens spriegojuma regulēšana".</li> <li>2. Pielietojiet pareizu zāģēšanas tehniku. Skatīt sadaļu Lietošana.</li> <li>3. Nomainiet piedziņas gultņus.</li> </ol>
izstrādājums, darbojoties, ir skaļš.	<ol style="list-style-type: none"> <li>1. Pārāk liels asmens spriegojums.</li> <li>2. Asmens vadotnes un gultņi saskaras ar asmeni.</li> </ol>	<ol style="list-style-type: none"> <li>1. Noregulējiet spriegojumu. Skatīt sadalu REGULĒŠANA, "Asmens spriegojuma regulēšana".</li> <li>2. Noregulējiet augšējo un apakšējo asmens vadotni un gultņus. Skatīt sadaļu REGULĒŠANA, "Piedziņas gultņu un asmens vadotņu atbalsta regulēšana".</li> </ol>
Asmens negriež taisni.	<ol style="list-style-type: none"> <li>1. Asmens vadotnes un gultņi nav pareizi noregulēti.</li> <li>2. Nodilis vai bojāts asmens.</li> </ol>	<ol style="list-style-type: none"> <li>1. Noregulējiet augšējo un apakšējo asmens vadotni un gultņus. Skatīt sadaļu REGULĒŠANA, "Piedziņas gultņu un asmens vadotņu atbalsta regulēšana".</li> <li>2. Nomainiet asmeni.</li> </ol>
Asmens vadotnes nepaliek vietā.	<ol style="list-style-type: none"> <li>1. Asmens vadotnes skrūves ir atskrūvējušās.</li> </ol>	<ol style="list-style-type: none"> <li>1. Rūpīgi novelciet asmens vadotnes skrūves.</li> </ol>
Motors strādā, bet asmens negriežas	<ol style="list-style-type: none"> <li>1. Spriegojums nav pareizi uzstādīts.</li> <li>2. Pārplfusi piedziņas sikсна.</li> </ol>	<ol style="list-style-type: none"> <li>1. Izmantojiet asmens spriegojuma sviru, lai noregulētu spriegojumu.</li> <li>2. Bojājumu gadījumā nekavējoties vērsieties pie kvalificēta pārstāvja, lai to nomainītu.</li> </ol>





## Lietuviškai (Originalių instrukcijų vertimas)

### APRAŠYMAS

- |   |  |
|---|--|
| 1. Geležtės įtempimo rankenėlė                | 53. Bloķėtājs                            |
| 2. Dangčio tvirtinimo varžtas                 | 54. Atraminis guolis                     |
| 3. Nukreipimo tikrinimo langelis              | 55. Atraminio guolio varžtas             |
| 4. Darbinė lempa                              | 56. Geležtės kreiptuvo atramos varžtas   |
| 5. Pjovimo disko apsauginis gaubtas           | 57. Viršutinio geležtės kreiptuvo atrama |
| 6. Pjūklų geležtė                             | 58. Geležtės kreiptuvas                  |
| 7. Įstrižumo matuoklis                        | 59. Geležtės kreiptuvo nustatymo varžtas |
| 8. Dulkių šalinimo prievadas                  | 60. Geležtės kreiptuvo varžtas           |
| 9. Skalės indikatorius                        | 61. Apatinio geležtės kreiptuvo atrama   |
| 10. Kampo reguliavimo rankenėlė               | 62. Šepetėlis                            |
| 11. Skalė                                     | 63. Poveržlė                             |
| 12. Stalo fiksavimo svirtis                   | 64. Varžtai                              |
| 13. Fiksavimo rankenėlė                       | 65. Padanga                              |
| 14. Geležtės kreiptuvo reguliavimo rankenėlė  |  |
| 15. Geležtės įtempimo svirtis                 |  |
| 16. Apsauginė plokštelė                       |  |
| 17. Tempimo rankenėlė                         |  |
| 18. Įjungimo / išjungimo mygtukas             |  |
| 19. Pjovimo stalas                            |  |
| 20. Priekinė apatinė plokštė                  |  |
| 21. Priekinė viršutinė plokštė                |  |
| 22. Kreipiamoji plokštelė                     |  |
| 23. Darbinės lempos jungiklis                 |  |
| 24. Stūmiklis                                 |  |
| 25. Atsuktuvus kryžminių galų (nepridedama)   |  |
| 26. Reguluojamas veržliaraktis (nepridedama)  |  |
| 27. Mažas universalus kampainis (nepridedama) |  |
| 28. Šešiakampis veržliaraktis , 3 mm          |  |
| 29. Šešiakampis veržliaraktis , 4 mm          |  |
| 30. Šešiakampis veržliaraktis , 5 mm          |  |
| 31. Poveržlė                                  |  |
| 32. Gaubtuvinės veržlės                       |  |
| 33. Poveržlės                                 |  |
| 34. Kojelės                                   |  |
| 35. Tvirtinimo varžtai                        |  |
| 36. Šešiakampės veržlės                       |  |
| 37. Atramos ilgintuvas                        |  |
| 38. Pjūklų pagrindo angos                     |  |
| 39. D formos veržlė                           |  |
| 40. Sparnuotasis varžtas                      |  |
| 41. Pjovimo stalo laikiklis                   |  |
| 42. Geležtės kreiptuvo blokas                 |  |
| 43. Reguliavimo varžtas                       |  |
| 44. Įtempimo mažinimas                        |  |
| 45. Įtempimo didinimas                        |  |
| 46. Fiksavimo rankenėlė                       |  |
| 47. Įstrižumo matuoklio lizdas                |  |
| 48. Varžtai su kryžmine išėma                 |  |
| 49. Viršutinis ratas                          |  |
| 50. Apatiniai geležtės kreiptuvai             |  |
| 51. Apatinis ratas                            |  |
| 52. Atrakinti                                 |  |





## Lietuviškai (Originalių instrukcijų vertimas)

Gaminant šį juostinį pjūklą didžiausia svarba buvo teikiama jo saugai, efektyvumui ir patikimumui.

### NAUDOJIMO PASKIRTIS

Šiuo juostiniu pjūklu galima pjauti tiesią liniją, pjauti plokščią ruošinį ir pjautu ratu medieną ir medienos gaminius.

Gaminys skirtas naudoti suaugusiems operatoriams, kurie perskaitė instrukcijų vadovą ir supranta kylančius pavojus.

Pjūklą reikia naudoti sausomis sąlygomis, esant puikiam aplinkos apšvietimui ir tinkamam vėdinimui.

Gaminys – plataus vartojimo ir turi būti naudojamas tik pagal nurodytą paskirtį.

### BENDRIEJI SAUGOS ĮSPĖJIMAI

#### ĮSPĖJIMAS

Naudojant elektrinius įrankius būtina atsižvelgti į elementarias saugumo priemones, kad sumažintumėte gaisro, elektros smūgio ar sužeidimų riziką. Prieš naudodami šį įrankį, perskaitykite visas instrukcijas bei jas išsaugokite.

- **Darbo vieta turi būti švari.** Netvarkinga aplinka ar darbo vieta skatina nelaimingus atsitikimus.
- **Atsižvelkite į darbo vietos aplinką.** Saugokite įrankius nuo lietaus. Nenaudokite įrankių drėgnoje arba šlapioje vietoje. Darbo vieta turi būti gerai apšviesta. Nenaudokite įrankių, jei šalia yra degūs skysčiai ar dujos.
- **Saugokitės elektros smūgių.** Stenkitės nesiliesti prie įžemintų ar įžeminimo paviršių (pvz. vamzdžių, radiatorių, grandinių/viryklių, šaldytuvų).
- **Pašaliniai asmenys turi būti toliau nuo darbo vietos.** Neleiskite kitiems asmenims, ypač vaikams, dalyvauti atliekant darbą, liesti įrankį ar ilginamąjį laidą bei stebėkite, kad jie būtų toliau nuo darbo zonos.
- **Nenaudojamus įrankius saugokite.** Nenaudojamus įrankius reikia laikyti sausoje, užrakintoje ir vaikams nepasiekiamoje vietoje.
- **Nenaudokite įrankio jėga.** Naudodami pagal paskirtį pagamintą tinkamą įrankį, darbą atlikite geriau ir saugiau.
- **Naudokite tinkamą atliekamam darbui įrankį.** Nenaudokite mažų įrankių, norėdami atlikti darbą, kuriam reikia galingesnio įrankio. Nenaudokite įrankių ne pagal jų paskirtį, pavyzdžiui, nenaudokite diskinių pjūklų pjauti medžių šakų ar rąstų.
- **Dėvėkite tik darbiu tinkamus drabužius.** Nedėvėkite laisvų nepriglususių drabužių ir juvelyrinių dirbinių,

kurie gali įspainioti į judančias prietaiso detales. Dirbant lauke rekomenduojama avėti avalynę neslidžiais padais. Jei turite ilgus plaukus, dėvėkite apsauginį galvos apdangalą.

- **Naudokite apsaugos įrangą.** Dėvėkite apsauginius akinius. Dėvėkite veido kaukę ar kaukę nuo dulkių, jei pjovimo metu išsiskiria dulka.
- **Prijunkite dulkių surinkimo įrangą.** Jei įrankis skirtas prijungti prie dulkių ištraukimo ir surinkimo įrenginių, įsitikinkite, kad jie prijungti ir naudojami tinkamai.
- **Laidą naudokite pagal jo paskirtį.** Niekada netraukite už laido, norėdami atjungti įrankį nuo maitinimo šaltinio. Laidą laikykite toliau nuo įkaitusių vietų, tepalų ir aštrių briaunų.
- **Ruošinį pritvirtinkite.** Jei įmanoma, ruošinį prispauskite gnybtais ar spaustuvu. Tai saugiau nei laikyti ranka.
- **Nesiekite per toli.** Visada tvirtai stovėkite ir išlaikykite pusiausvyrą.
- **Įrankius prižiūrėkite rūpestingai.** Siekiant geresnių rezultatų ir kad darbas būtų atliktas saugiai, pjovimo įrankiai turi būti aštrūs ir švarūs. Laikykites tepimo ir papildomų detalių keitimo instrukcijų. Reguliariai patikrinkite įrankio laidus, jei jie apgadinti, juos remontuoti pristatykite tik įgaliotą techninės priežiūros centrą. Pastoviai patikrinkite ilginamuosius laidus ir pakeiskite juos, jei jie pažeisti. Rankenas reikia visada sausai nuvalyti, kad jos nebūtų suteptos alyva ir tepalais.
- **Atjunkite įrankius nuo maitinimo šaltinio.** Kai įrankiai nenaudojami, prieš atliekant techninės priežiūros darbus, keičiant jų priedus, pvz. geležtes, antgalius ir pjoviklius, juos būtina atjungti nuo maitinimo šaltinio.
- **Pašalinkite iš įrankio reguliavimo raktus ir veržliarakčius.** Įpraskite prieš įjungdami įrankį patikrinti, ar iš jo pašalinti raktai ir veržliarakčiai.
- **Saugokitės, kad įrankis netyčia neužsivestų.** Prieš prijungdami įrankį prie maitinimo šaltinio, patikrinkite, ar jo jungiklis yra „OFF“ (išjungtoje) padėtyje.
- **Naudokite darbiu lauke skirtus ilginamuosius laidus.** Kai įrankiu dirbate lauke, naudokite tik ilginamuosius laidus, skirtus bei paženklintus darbiu lauke.
- **Būkite budrus.** Stebėkite, ką darote, vadovaukitės sveika nuovoka ir įrankio nenaudokite, jei esate pavargę.
- **Patikrinkite, ar nėra pažeistų detalių.** Prieš toliau naudojant įrankį, būtina atidžiai patikrinti, ar jis tinkamai veiks ir atliks reikiamą darbą. Patikrinkite judančių dalių centravimą, sukibimą, sulūžusias dalis, sumontavimą ir kita, kas galėtų turėti neigiamos įtakos darbiu. Jei apsauginis įrenginys ar kita detalė yra







## Lietuviškai (Originalių instrukcijų vertimas)

pažeista, ją pakeisti ar sutaisyti privalo tik įgaliotas techninės priežiūros centras, nebent šioje instrukcijoje nurodyta kitaip. Sugedusius jungiklius gali pakeisti tik įgalioti techninės priežiūros centro darbuotojai. Jei jungiklis blogai veikia, prietaiso nenaudokite.

- **Išpėjimas.** Kitų, šiame naudojimo vadove nerekomenduojamų priedų ar papildomų detalių naudojimas gali kelti sužalojimų pavojų.
- **Įrankį turi remontuoti tik kvalifikuotas specialistas.** Šis elektrinis įrankis atitinka susijusius saugos reikalavimus. Įrankį remontuoti turi tik kvalifikuotas asmuo, naudojantis originalias atsargines dalis; priešingu atveju, įrankis jį naudojančiam asmeniui gali kelti didelį pavojų.

### JUOSTINIO PJŪKLO NAUDOJIMO SAUGOS ĮSPĖJIMAI

- Tvirtai prispauskite arba prisukite pjūklą prie darbatalio arba kojinio stovo patogiam klubų aukštyje.
- Niekada nenaudokite įrenginio ant grindų.
- Venkite neįprastų veiksmų bei nedėkite rankų ten, kur jos gali staiga nuslysti link geležtės. Visada būtina išlaikyti gerą pusiausvyrą.
- Prieš pradėdami pjauti leiskite varikliui pasiekti visą greitį, kad išvengtumėte ruošinio strigimo.
- Nenaudokite įrankio, jei jungiklio negalite įjungti ir išjungti. Sugedusius jungiklius gali pakeisti tik įgalioti techninės priežiūros centro darbuotojai.
- **Atsarginės detalės.** Bet kokius elektros ar mechaninės sistemos remonto darbus turi atlikti kvalifikuotas specialistas įgaliotajame priežiūros centre.
- Sugedusias detales keiskite tik originaliomis atsarginėmis detalėmis. Kitų detalių naudojimas gali sukelti pavojų ar sugadinti įrankį.
- **Rankas laikykite toliau nuo pjovimo zonos.** Draudžiama rankomis laikyti ruošinius, kurie yra tokie maži, kad pirštai gali palįsti po geležtės apsauginiu įtaisu. Bet kokiu atveju rankomis ar pirštais nelieskite po ruošiniu ir geležtės pjovimo linijoje.
- **Vienu metu pjaukite tik vieną ruošinį, vienu metu nedėkite ant pjovimo stalo daugiau nei vieno ruošinio.**
- **Netiekite medžiagos per greitai.** Nespauskite ruošinio prie geležtės.
- **Naudokite tik tinkamus pjovimo diskus.** Naudojamos geležtės dydis ir tipas turi tikti medžiagai ir pjovimo tipui. Geležtės dantukai turi būti nukreipti žemyn į stalą.
- **Pjaudami būtina paremkite didelius ruošinius, kad sumažėtų geležtės suspaudimo ir atitranskos**

pavojus. Pjaunant dideles arba sunkias plokštes geležtė gali praslysti, pajudėti ar pasislinkti.

- **Išimti įstrigusias nuopjovas leidžiama tik geležtei sustojus.**
- **Nenaudokite sugadintų arba deformuotų juostinių pjūklų.**
- **Nusidėvėjusį stalo tarpiklį pakeiskite.**
- **Prieš pjaunant medieną pjūklą prijunkite prie dulkių surinkimo sistemos.**
- **Nenaudokite įrenginio, kai pjūklas juostą dengiantis apsauginis įtaisas yra atidarytas.**
- **Pjūklo juostą ir darbo greitį pasirinkite pagal medžiagą, kurią pjausite.**
- **Nevalykite juostinio pjūklo jam judant.**
- **Dirbdami su pjūklo geležte ir šiuurkščiomis medžiagomis mūvėkite pirštines.**
- **Kai tiesiai pjaunate mažus ruošinius naudodamiesi plokšte, naudokite stūmiklį.**
- **Transportuojant įrenginį, juostos apsauginis įtaisas turi būti visiškai nuleistas ir arti stalo.**
- **Kai atliekamas nuožulnus pjovimas pakreipus stalą, padėkite kreipiamąją plokštelę ant apatinės stalo pusės.**
- **Pjaudami apskritą arba netaisyklingos formos medieną naudokite tinkamą laikymo įtaisą, kad ruošinys negalėtų sukintis.**
- **Nesinaudokite apsauginiais įtaisais atlikdami kėlimo ar transportavimo darbus.**
- **Reguliuojamąjį apsauginį įtaisą nustatykite kuo arčiau ruošinio.**
- **Dirbdami, niekada nelieskite pjovimo disko ar kitų judančių dalių.**
- **Prieš keisdami konfigūraciją ir nuimdami dangčius, apsauginius įtaisus ar geležtes atjunkite pjūklą nuo maitinimo tinklo.**
- **Visada tvirtai spauskite ruošinį prie stalo.**
- **Kad išvengtumėte netikėto geležtės palietimo, sumažintumėte geležtės lūžimo pavojų ir užtikrintumėte optimalią geležtės atramą, visada nustatykite geležtės kreiptuvo bloką prie pat ruošinio.**
- **Geležtės būtina laikyti švarias, aštrias, jų dantukai turi būti pakankamai praskėsti.** Naudojant aštrias geležtes sumažinama variklio užgesimo ar atitranskos galimybė.
- **Prieš atjungdami įrankį nuo maitinimo šaltinio, visada pirmiausia išjunkite pjūklą, kad išvengtumėte atsitiktinio užsivedimo įrankį vėl prijungus prie maitinimo šaltinio.**
- **Prieš pradėdami bet kokį darbą pjovimo staklėmis, patikrinkite, ar darbo vieta gerai apšviesta, kad gerai matytumėte pjaunamą ruošinį, ir ar nėra**



## Lietuviškai (Originalių instrukcijų vertimas)

jokių kliūčių saugiai atlikti darbą.

- **Geležtės kreiptuvai buvo sureguliuoti gamykloje.** Šie nustatymai tinka tam tikriems darbams. Prieš naudojant pjūklą pirmą kartą rekomenduojama tikrinti ir koreguoti geležtės kreiptuvų nustatymus. Žr. procedūrų aprašymą dalyje „Geležtės kreiptuvo atramos ir atraminių guolių reguliavimas“ šios naudojimo instrukcijos skyriuje REGULIAVIMAS.
- **Nenaudokite šio įrenginio metalui pjauti.**
- **Šis įrankis turi būti pažymėtas šiomis žymomis:**
  - Dėvėkite akių apsaugos priemones
  - Rankas laikykite toliau nuo pjovimo disko.
  - Išimti įstrigusias arba nupjautas dalis leidžiama tik geležtei sustojus.
  - Geležtę reikia montuoti atsukus jos dantukus į apačią.
  - Išlaikykite tinkamą geležtės įtempimo, geležtės kreiptuvų ir atraminių guolių reguliavimą.
  - Nustatykite viršutinį kreiptuvą taip, kad jis būtų prie pat ruošinio.
  - Pjaudami laikykite ruošinį tvirtai prispaustą prie stalo.
- **Jeigu maitinimo laidas pažeistas, jį turi pakeisti tik gamintojas arba įgaliota techninės priežiūros įmonė, kad būtų išvengta pavojaus.**
- **Išsaugokite šias instrukcijas.** Dažnai perskaitykite instrukciją, panaudokite instrukciją kitiems operatoriams apmokyti. Jeigu kam nors paskolinate šį įrankį, tai kartu perduokite ir vartotojo instrukciją.

### ELEKTROS

#### ILGINAMIEJI LAIDAI

Naudokite tik 3-ų laidų ilginamuosius laidus su 3 žeminiu kištuko smaigaliais ir 3 polių patronus, kuriems tinkamas produkto kištukas. Dirbant elektriniu įrankiu didesniu atstumu nuo maitinimo šaltinio, naudokite pakankamai sunkų ilginamąjį laidą, kuris pemeštų įrankio srovę. Dėl mažesnio ir lengvesnio ilginamojo laido įtampa gali sumažėti ir dėl to galia bus prarasta ir variklis gali perkaisti. Prieš naudodami ilginamąjį kabelį patikrinkite, ar jame nėra laisvų arba atidengtų laidų ir ar nenusidėvėjo izoliacija.

### ▲ ĮSPĖJIMAS

Ilginamojo laido nelaikykite darbo zonoje. Ilginamąjį laidą ištieskite taip, kad jis neįsipainiotų į šiukšles, įrankius ar kitas kliūtis dirbant su elektriniu įrankiu. To nepadarius, gali kilti sunkių sužalojimų.

### ▲ ĮSPĖJIMAS

Prieš naudojimą ilginamuosius laidus visada patikrinkite. Pažeistą laidą būtina nedelsiant pakeisti. Įrankio su pažeistu laidu niekada nenaudokite, nes prisilietus prie laido pažeistos vietos gali kilti elektros smūgis bei jus sunkiai sužeisti.

### PRIJUNGIMAS PRIE ELEKTROS ENERGIJOS ŠALTINIO

Šiame produkte yra preciziškai sumontuotas elektrinis variklis. Prietaisą reikia prijungti tik prie 220~240V, kintamosios srovės (įprasta srovė gyvenamuosiuose namuose) ir 50 Hz maitinimo šaltinio tinklo. Šio įrankio nenaudokite, jį prijungę prie nuolatinės srovės šaltinio. Dėl žymaus įtampos sumažėjimo dingsta elektra ir prietaisas perkaista. Jei jūsų prietaisas neveikia jį įjungus į kištukinį lizdą, dar kartą patikrinkite energijos tiekimą.

### GREITIS IR LAIDŲ IŠVEDŽIOJIMAS

Šio įrenginio greitis be apkrovos siekia maždaug 11 m/s. Toks greitis nėra pastovus ir jis sumažėja esant apkrovai ar mažesnei įtampai. Įtampai svarbūs ir dirbtuvėse nutiesti kabeliai, ir variklio įėjimo galios vardinis parametras. Laidas, skirtas tik šviesai, negali tinkamai atlaikyti elektrinio įrankio variklio. Laidas, kuris pakankamai sunkus trumpam atstumui, bus per lengvas didesniai atstumui. Laidas, pakankamas vienam elektriniam įrankiui, gali būti nepakankamas dviems ar trimis įrankiams.

### ĮŽEMINIMO INSTRUKCIJOS

Šį produktą būtina įžeminti. Jei prietaisas blogai veikia ar sugenda, įžeminimas elektros srovei suteikia mažiausią varžą, taip sumažinant elektros smūgio pavojų. Šiame prietaise yra įmontuotas elektros laidas, kuriame yra įrangos įžeminimo konduktorius ir įžeminimo kištukas. Kištuką reikia įkišti į jį atitinkantį lizdą, kuris būtų tinkamai instaliuotas ir įžemintas pagal vietos kodus ir tvarką.

Pridedamo kištuko nekeiskite. Jei kištukas lizdui netinka, kvalifi kuotas elektrikas turį įrengti tinkamą kištukinį lizdą. Nedelsdami pažeistą ar nusidėvėjusį laidą suremontuokite ar pakeiskite.

### ŠALUTINIS PAVOJUS

Net naudojant gaminį griežtai pagal paskirtį neįmanoma visiškai atmesti kai kurių liktinių rizikos veiksnių. Būkite budrus atlikdami priežiūros ar valymo darbus: po įrankio naudojimo geležtę kurį laiką išlieka įkaitusi.

- u 44
- Žala kvėpavimo sistemai.

**PASTABA:** Dėvėkite kvėpavimo sistemos apsaugines kaukes su atitinkamais filtrais, nepraleidžiančiais nuojaujamų medžiagų atsiskiriančių dalelių Darbo vieta



## Lietuviškai (Originalių instrukcijų vertimas)

turi būti tinkamai vėdinama. Darbo vietoje negalima valgyti, gerti ar rūkyti.

- Jei nedėvima tinkama ausų apsauga – pakenkimas klausai.

### GERAI IŠMANYKITE APIE GAMINĮ

Žr. 1 pav.

Norėdami saugiai naudotis šiuo prietaisu, turite suprasti ir žinoti visą su juo susijusią informaciją, o taip pat ir apie numatomą atlikti darbą. Prieš naudodami šį gaminį, susipažinkite su visomis įrankio savybėmis ir saugumo taisyklėmis.

### KAMPO REGULIAVIMO RANKENĖLĖ

Ja galima pakreipti stalą, kai reikia pjauti nuožulniai.

### PJOVIMO DISKO APSAUGINIS GAUBTAS

Saugo operatorių nuo kontakto su geležte.

### GELEŽTĖS KREIPTUVO REGULIAVIMO RANKENĖLĖ

Naudodamiesi geležtės kreiptuvo reguliavimo rankenėle galite pakelti ir nuleisti geležtės kreiptuvą, taip apsaugodami geležtę nuo susukimo ir lūžimo. Prieš įjungdami juostinį pjūklą būtina užfiksuokite geležtės kreiptuvo bloką jo vietoje.

### GELEŽTĖS KREIPTUVAI

Viršutinis ir apatinis geležtės kreiptuvai padeda išvengti geležtės susukimo darbo metu.

### DULKIŲ ŠALINIMO PRIEVADAS

53 mm (2-1/8") dulkių šalinimo prievadas suteikia galimybę pjaunant išvengti dulkių. Prijunkite prie dulkių šalinimo prievado maišelį dulkėms (nepriedamas) arba dulkių siurbį.

### DANGČIO TVIRTINIMO VARŽTAS

Suteikia galimybę atidaryti priekinį dangtį, jei reikia reguliuoti.

### ĮSTRIZUMO MATUOKLIS

Šis matuoklis padeda sulygiuoti medieną skersiniam pjovimui. Gerai matomas indikatorius rodo tikslų įstrižo pjovimo kampą: 15°, 30°, 45° arba 60°.

### GELEŽTĖS ĮTEMPIMO SVIRTIS „RAPIDSET™“

Kontroliuoja geležtės įtempimą keičiant geležtes ir reguliuojant pjūklą įvairiems pjovimo darbams.

### PJŪKLO GELEŽTĖ

Pjūklas pristatomas su standartine 6,35 mm (1/4") geležte.

### PJOVIMO STALAS SU APSAUGINE PLOKŠTELE

Juostiniame pjūkle yra pjovimas stalas su pakreipimo valdikliu. Apsauginė plokštelė, sumontuota pjovimo stalo gamintojo, leidžia nustatyti geležtės tarpelį.

### SKALĖ IR SKALĖS INDIKATORIUS

Skalė ir skalės indikatorius rodo pjovimo stalo pakreipimo nuožulniam pjovimui kampą arba laipsnį.

### STALO FIKSAVIMO SVIRTIS

Atlaisvinus stalo fiksavimo svirtį, galima pakreipti pjovimo stalą įvairiais kampais. Priveržus stalo fiksavimo svirtį, pjovimo stalas užfiksuojamas.

### TEMPIMO RANKENĖLĖ

Reguliuoja nukreipimą, kad geležtė būtų ratų centre.

### NUKREIPIMO TIKRINIMO LANGELIS

Naudojantis nukreipimo tikrinimo langeliu galima lengviau matyti nukreipimo reguliavimą.

### STŪMIKLIS

Ruošinį stumkite tik stūmikliu, kol jis bus toliau nuo stalo.

### NESUMONTUOTŲ DALIŲ SĄRAŠAS

Aprašymas	Kiekis
Poveržlės	7
Stalo fiksavimo svirtis	1
Šešiakampis veržliaraktis , 3 mm	1
Šešiakampis veržliaraktis , 4 mm	1
Šešiakampis veržliaraktis , 5 mm	1
Įstrižumo matuoklis	1
Gaubtuvinės veržlės	4
Kojelės	4
Pjovimo stalas	1
Tvirtinimo varžtai	2
Šešiakampės veržlės	2
Ilginamoji atrama	1
Kreipiamoji plokštelė	1
Stūmiklis	1
Naudojimo instrukcija	1





## Lietuviškai (Originalių instrukcijų vertimas)

### MONTAVIMAS

#### IŠPAKAVIMAS

Šį įrenginį reikia sumontuoti.

- Atsargiai išimkite įrenginį iš kartoninės dėžės ir padėkite ant lygaus darbinio paviršiaus.

#### ⚠ ĮSPĖJIMAS

Nenaudokite šio įrenginio, jei bet kokios atskirai pateikiamų dalių sąrašė nurodytos dalys jau yra sumontuotos, kai jį išpakuojate. Gamintojas nemontuoja šiame sąrašė nurodytų dalių, jas turi montuoti klientas. Naudojant netinkamai surinktą gaminį kyla pavojus sunkiai susižeisti.

- Atidžiai apžiūrėkite įrenginį ir įsitikinkite, kad transportuojant jam nebuvo padaryta jokios žalos. **PASTABA:** Šis pjūklas pristatomas su neįtempta geležte. Įjungti šį pjūklą leidžiama tik tinkamai įtempta geležte.
- Pakavimo medžiagas išmeskite tik atidžiai patikrinę įrenginį ir įsitikinę, kad jis veikia tinkamai.
- Jei bet kokios dalys yra sugadintos arba jų nėra, kreipkitės pagalbos į vietinį priežiūros centrą.

#### ⚠ ĮSPĖJIMAS

Jei bet kokios dalys yra sugadintos arba jų nėra, nenaudokite įrenginio, kol jų nepakeisite. Naudojant šį įrenginį, jei jo dalys sugadintos arba jų nėra, kyla pavojus sunkiai susižeisti.

#### ⚠ ĮSPĖJIMAS

Nerekomenduojama keisti šio įrankio ar jam pritaikyti papildomų detalių, kurios su šiuo įrankiu naudoti nerekomenduojamos. Bandymas jas keisti ar modifikuoti laikoma netinkamu naudojimu, galinčiu sukelti pavojingą situaciją ir jus sunkiai sužeisti.

#### ⚠ ĮSPĖJIMAS

Prijungti prie maitinimo tinklo leidžiama tik baigus montavimo darbus. Nesilaikant šio reikalavimo, įrenginys gali netikėtai įsijungti ir sunkiai sužeisti.

#### ĮRENGINIO TVIRTINIMAS PRIE DARBASTALIO

Jei įrenginys bus naudojamas vienoje vietoje, reikia pritvirtinti jį prie tvirto atraminio paviršiaus, pavyzdžiui, darbatalio. Šiuo tikslu pjūklo pagrinde yra keturios angos varžtamams. Varžtai (neprieddami) turi būti pakankamai ilgi, kad aprėptų pjūklo pagrindą, fiksavimo poveržles

(nepriedamos), šešiakampes veržles (nepriedamos) ir darbatalio storį. Gerai priveržkite visus keturis varžtus.

Pritvirtinę, atidžiai patikrinkite darbatalį ir įsitikinkite, kad darbo metu jis nejudės. Pastebėję, kad darbatalis gali pasvirti, slysti arba pasislinkti, prieš darbą pritvirtinkite jį prie grindų.

- Padėkite įrenginį ant darbatalio. Naudodami pjūklo pagrindą kaip šabloną pažymėkite angas, kuriose įrenginys bus tvirtinamas.
- Išgręžkite angas darbatalyje.
- Dėkite juostinį pjūklą ant darbatalio sulygiuodami pjūklo pagrindo angas su darbatalyje išgręžtomis angomis.
- Įstatykite varžtus (nepriedami) ir priveržkite su fiksavimo poveržlėmis ir šešiakampėmis veržlėmis (nepriedamos). **PASTABA:** visus varžtus reikia įstatyti iš viršaus. Fiksavimo poveržles ir šešiakampes veržles dėkite iš darbatalio apačios.

#### ĮRENGINIO PRISPAUDIMAS PRIE DARBASTALIO

Žr. 4 pav.

Jei pjūklas bus naudojamas kaip nešiojamasis įrenginys, rekomenduojama pastoviai pritvirtinti jį prie montavimo plokštės, kurią galima lengvai prispausti prie darbatalio ar tikro atraminio paviršiaus. Montavimo plokštė turi būti pakankamai didelė, kad naudojamas pjūklas neapvirštų. Rekomenduojama naudoti bet kokią plokščią 19 mm (3/4") storio fanerą ar medienos drožlių plokštę.

Jei naudojami varžtai su kvadratine galvute, jie turi būti pakankamai ilgi, kad pralįstų pro pjūklo pagrindo angas ir medžiagą, prie kurios tvirtinamas pjūklas. Jei naudojami tvirtinimo varžtai, jie turi būti pakankamai ilgi, kad pralįstų pro pjūklo pagrindo angas ir aprėptų medžiagą, prie kurios tvirtinama, fiksavimo poveržles ir šešiakampes veržles.

**PASTABA: APATINĖJE MONTAVIMO PLOKŠTĖS PUSĖJE GALI REIKĖTI ĮLEISTI ŠEŠIAKAMPES VERŽLES IR POVERŽLES Į PLOKŠTĘ.**

- Tvirtinkite pjūklą prie plokštės naudodamiesi pjūklo pagrindo angomis kaip angų išdėstymo šablonu. Nustatykite ir pažymėkite angas, kuriose bus tvirtinamas juostinis pjūklas.
- Atlikite tris paskutinius veiksmus, aprašytus skyriuje „Įrenginio tvirtinimas prie darbatalio“ pirmiau.

#### PJOVIMO STALO TVIRTINIMAS

Žr. 5, 7 pav.

- Išsukite D formos varžlę, poveržles ir sparnuotąjį varžtą iš pjovimo stalo.
- Atsistokite prieš juostinį pjūklą ir prastumkite pjovimo stalą pro geležtę ir lizdą judindami nuo dešinės pjovimo stalo pusės į kairę.





## Lietuviškai (Originalių instrukcijų vertimas)

- Kaire ranka laikydami pjovimo stalą traukite kampo reguliavimo rankenėlę nuo pjūklo rėmo ir sulygiuokite dantukus pjovimo stalo laikiklyje su dantukais kampo reguliavimo rankenėlėje. Paleiskite rankenėlę.
- Įstatykite ant rėmo esančius kaiščius į lizdus pjovimo stalo laikiklyje.
- Dėkite poveržlę srieginiame stalo fiksavimo svirties gale. Pritvirtinkite pjovimo stalą prie pjūklo rėmo sukdami stalo fiksavimo svirtį pagal laikrodžio rodyklę.
- Prisukite D formos varžtą, poveržles ir sparnuotąjį varžtą prie pjovimo stalo.

**PASTABA:** Sparnuotasis varžtas prisukamas po pjovimo stalu.

### ILGINAMOSIOS ATRAMOS MONTAVIMAS

Žr. 6 pav.

- Įstatykite ilginamosios atramos vamzdelius į pjūklo pagrindo angas iš galinės pusės.
- Sulygiuokite vamzdeliuose esančias angas su pjūklo pagrindo angomis.
- Įstatykite tvirtinimo varžtus ir priveržkite juos naudodami poveržles ir šešiakampes varžles.

### PJOVIMO STALO NUSTATYMAS STAČIU KAMPU GELEŽTĖS ATŽVILGIU

Žr. 8 - 9 pav.

- Sukdami fiksavimo rankenėlę prieš laikrodžio rodyklę atlaisvinkite geležtės kreiptuvo bloką. Sukdami geležtės kreiptuvo reguliavimo rankenėlę pagal laikrodžio rodyklę pakelkite geležtės kreiptuvo bloką iki pat galo. Sukdami fiksavimo rankenėlę pagal laikrodžio rodyklę priveržkite.
- Padėkite mažą universalų kampainį ant pjovimo stalo šalia geležtės.
- Atlaisvinkite stalo fiksavimo svirtį ir sukdami kampo reguliavimo rankenėlę pakreipkite pjovimo stalą į viršų arba į apačią, kad nustatytumėte stalą 90° kampu geležtės atžvilgiu (0° padėtis). Priveržkite stalo fiksavimo svirtį.
- Sukite reguliavimo varžtą, kol jis vos lies pjūklo korpusą.
- Patikrinkite, ar pjovimo stalas yra stačiu kampu geležtės atžvilgiu. Jei reikia, tikslinkite reguliavimą.
- Nustatykite skalės indikatorius į nulinę padėtį ir priveržkite varžtą atskutuvu kryžminiu galu.

**PASTABA:** prieš pradėdami bet kokį naują projektą būtinai atlikite bandomąjį pjovimą ir įsitinkinkite, kad geležtė nustatyta stačiu kampu. Jei taip nėra, gali reikėti atsukti varžtus po pjovimo stalu ir reguliuoti (įstrižo pjovimo lizdas turi būti lygiagretus su pjūklo geležte). Nustatę stalų kampą, priveržkite varžtus.

### GELEŽTĖS ĮTEMPIMO REGULIAVIMAS

Žr. 10 - 11 pav.

- Išjunkite įrenginį.
- Prieš naudodami juostinį pjūklą pasukite pjūklo viršuje esančią geležtės įtempimo rankenėlę pagal laikrodžio rodyklę, taip įjungdami įtempimo funkciją.
- PASTABA: reguliuoti geležtės įtempimą galima bet kada.
- Sukdami įtempimo rankenėlę timplėlėkite galinę tiesią pjūklo geležtės briauną kaip gitaros stygą.

Įtempimui didėjant, garsas tampa aukštesnis. Niekada neįtempkite geležtės taip stipriai, kad spyruoklė būtų suspausta visiškai. Visiškai suspaudus spyruoklę, ji nebegalės amortizuoti smūgių.

Įtempus per daug, geležtė gali sulūžti. Didesnio įtempimo reikia įjauant storesnius ruošinius; maksimalaus įtempimo reikia ne visiems pjovimo darbamams. Įtempus per mažai, geležtė gali slysti ant ratų.

### GELEŽTĖS NUKREIPIMAS

Žr. 11 pav.

Prieš reguliuodami nukreipimą, tinkamai sureguliuokite geležtės įtempimą. Tikrinkite, ar geležtei netrukdo geležtės kreiptuvai. Geležtės tarpdantis (giliausia geležtės dantuko dalis) turi būti padangos centre.

### Norėdami reguliuoti:

Atjunkite nuo maitinimo tinklo. Atsukite dangčio tvirtinimo varžtą ir nuimkite priekinius dangčius. Ranka lėtai sukdami viršutinį ratą pagal laikrodžio rodyklę stebėkite geležtės padėtį ant viršutinės padangos. Jei geležtė pasislenka nuo padangos centro, nukreipimą reikia reguliuoti.

### Jei geležtė pajudėjo į kairę arba į dešinę nuo centro:

- Ranka sukdami ratą sukite geležtės nukreipimo rankenėlę (pagal laikrodžio rodyklę, jei geležtė pasislinko į kairę; prieš laikrodžio rodyklę, jei geležtė pasislinko į dešinę), kol geležtė grįš atgal ir judės padangos centru.
- Tikrinkite geležtės padėtį ant apatinės padangos. Visa geležtė turi būti ant padangos (geležtės tarpdantis turi būti centre). Jei taip nėra, reguliuokite nukreipimą, kol geležtė bus ant abiejų padangų.
- Ranka pasukite viršutinį ratą pagal laikrodžio rodyklę dar kelis apskimus. Įsitinkinkite, kad geležtė lieka toje pačioje vietoje ant padangų. Jei reikia, reguliuokite dar kartą, kol padanga bus nukreipiama tinkamai.
- Uždarykite priekinius dangčius ir priveržkite dangčių tvirtinimo varžtą.
- Įjunkite įrenginį
- Tikrinkite, ar padanga yra ant padangos centro (pro nukreipimo tikrinimo langelį). Jei ji nėra centre,





## Lietuviškai (Originalių instrukcijų vertimas)

kartokite pirmiau aprašytus veiksmus.

### **⚠ ĮSPĖJIMAS**

Geležties kreiptuvai buvo sureguliuoti gamykloje. Šie nustatymai tinka tam tikriems darbams. Prieš naudojant pjūklą pirmą kartą rekomenduojama tikrinti ir koreguoti geležties kreiptuvų nustatymus. Žr. procedūrų aprašymą dalyje „Geležties kreiptuvo atramos ir atraminių guolių reguliavimas“ šios naudojimo instrukcijos skyriuje „Reguliavimas“.

### KREIPIAMOSIOS PLOKŠTELĖS MONTAVIMAS

- Padėkite kreipiamąją plokštelę kairėje pjovimo stalo pusėje, fiksavimo rankena turi būti priekyje.
- Spausdami fiksavimo rankeną į apačią užfiksukite kreipiamosios plokštelės padėtį.
- Sukdami fiksavimo rankeną reguliuokite gnybtų įtempimą.

### VEIKIMAS

### **⚠ ĮSPĖJIMAS**

Būkite atsargūs, net jei puikiai pažįstate įrankį. Prisiminkite, kad dėl sekundės neatsargumo galite patirti sunkių sužalojimų.

### **⚠ ĮSPĖJIMAS**

Visada dėvėkite akių apsaugos priemones. Neužsidėjus, į jūsų akis gali patekti nuolaužų, kurios gali rimtai sužaloti.

### **⚠ ĮSPĖJIMAS**

Nenaudokite jokių priedų ar papildomų detalių, kurių nerekomenduoja šio produkto gamintojas. Naudojant nerekomenduojamus papildomus įtaisus ar priedus, galima rimtai sužaloti.

### **⚠ ĮSPĖJIMAS**

Kad išvengtumėte kontakto su geležte, nustatykite geležties kreiptuvo bloką prie pat ruošinio. To nepadarius, gali kilti sunkių sužalojimų.

### **⚠ ĮSPĖJIMAS**

Nenaudokite įrenginio, kai geležties apsauginis įtaisas neįtvirtintas, o priekiniai dangčiai neužrakinti. Antraip kyla pavojus sunkiai susižeisti.

### JUOSTINIO PJŪKLO NAUDOJIMO PAGRINDAI

Juostinis pjūklas iš esmės yra „kreivių pjovimo“ įrenginys, kuriuo taip pat galima atlikti pjovimo tiesia linija darbus, pvz., skersinį pjovimą, įstrižą pjovimą, nuožulnų pjovimą, sudėtinį pjovimą ir pakartotinį pjovimą. Naudodamas juostinį pjūklą tiesiai linijai pjauti operatorius gali montuoti kreipiamąją plokštelę – tam naudojama tinkamo dydžio medinė detalė, prispaudžiama prie stalo C formos gnybtais. Įrenginiu negalima atlikti vidinių pjūvių arba neištisinių pjūvių.

Prieš pradėdami pjauti stebėkite įrenginio veikimą. Jei pajuntate didelę vibraciją ar išgirstate neįprastą triukšmą, nedelsdami stabdykite darbą. Išjunkite įrenginį ir atjunkite jį nuo maitinimo tinklo. Nenaudokite įrenginio, kol nerasite ir nepašalinsite problemos.

### PJOVIMO PROCEDŪROS

- Visada tvirtai spauskite ruošinį prie stalo.
- Stumdami ruošinį geležties link nestipriai spauskite jį abiem rankomis. Nespauskite ruošinio per jėgą; leiskite geležtei pjauti.
- Mažiausias galimas išpjauti apskritimo skersmuo priklauso nuo geležties pločio. Naudojant 6,35 mm (1/4") pločio geležtę, mažiausias galimas išpjauti skersmuo yra 38 mm (1-1/2").
- Rankas laikykite toliau nuo pjovimo disko. Draudžiama rankomis laikyti ruošinius, kurie yra tokie maži, kad pirštai palis po geležties apsauginiu įtaisu.
- Venkite nepatogių darbų ir tokios rankų padėties, kad netikėtai styselėjus sunkiai susižeistumėte palietę geležtę. Niekada nelaikykite rankų geležties kelyje.
- Pjaudami didelius, mažus arba nepatogius ruošinius naudokite papildomas atramas (stalus, pjovimo stovus, kaladėles ir pan.).
- Žmogus niekada negali atstoti stalo ilgintuvo arba papildomos atramos pjaunant ruošinį, kuris yra ilgesnis arba platesnis nei pagrindinis pjovimo stalas.
- Pjaudami netaisyklingos formos ruošinius planuokite darbą taip, kad nesuspaustumėte geležties. Pavyzdžiui, ilga juosta turi būti plokščiai padėta ant pjovimo stalo. Pjaunami ruošiniai turi nesisukti, nesiūbuoti ir neslysti.

Traukiant ruošinį atgal, geležtė gali įstrigti prapjovoje. Paprastai taip nutinka pjuvenoms užkimšus prapjovą arba geležtei iššokus iš kreiptuvų. Jei taip nutiko:

- Išjunkite įrenginį. Palaukite, kol pjūklas visiškai sustos. Atjunkite įrenginį nuo maitinimo tinklo.





## Lietuviškai (Originalių instrukcijų vertimas)

- Praplėskite prapjavą atsuktuvu plokščiu galu arba mediniu pleištu.
- Atidarykite priekinį dangtį ir ranka sukite viršutinį ratą traukdami ruošinį atgal.

### PAKOPINIS PJOVIMAS

Pakopiniai pjūviai atliekami, jei reikia išpjauti sudėtingą kreivę (kurios spindulys per mažas geležtei). Nupjaukite nereikalingą ruošinio dalį pagal kreivę rašto linijoje, tada atsargiai ištraukite geležtę. Pjaunant sudėtingas kreives, reikia atlikti kelis pakopinius pjūvius; pagal rašto liniją pjaukite tik tada, kai dalys bus nupjautos nuo kreivės ir geležtės spaudimas sumažės.

### SLENKAMASIS PJOVIMAS

Atlikdami bendruosius siaurapjūklio tipo darbus sekite rašto linijomis stumdami ir sukdamai ruošinį vienu metu. Nebandykite sukti ruošinio su jame įstatyta geležte be stūmimo judesio – gali sulinkti ruošinys arba susisukti geležtė.

### ĮSTRIGUSIOS MEDŽIAGOS IŠĖMIMAS

Išimti įstrigusias nuopjovas leidžiama tik geležtei visiškai sustojus.

- Išjunkite įrenginį. Palaukite, kol pjūklas visiškai sustos.
- Prieš išimdami įstrigusią medžiagą atjunkite įrenginį nuo maitinimo tinklo.

### SAUGOKITĖS SUŽEIDIMŲ

- Įsitikinkite, kad pjūklas padėtas lygiai ir nesiūbuoja. Pjūklas visada turi būti pastatytas ant tvirto ir lygaus paviršiaus, o šalia jo turi būti pakankamai vietos ruošiniui tvarkyti ir tinkamai paremti.
- Prisukite pjūklą prie atraminio paviršiaus, kad jis negalėtų slysti, judėti arba slinkti, pvz., pjaunant ilgus ir sunkias plokštes.
- Prieš perkeldami pjūklą išjunkite jį ir atjunkite nuo maitinimo tinklo.
- Išimti įstrigusias nuopjovas leidžiama tik geležtei visiškai sustojus.
- Naudojamos geležtės dydis ir tipas turi tikti planuojamai pjauti medžiagai ir pjovimo tipui.
- Įsitikinkite, kad geležtės dantukai yra atsukti žemyn į pjovimo stalą, kad geležtės kreiptuvai, atraminiai guoliai ir geležtės įtempimas yra tinkamai sureguliuoti, kad geležtės kreiptuvo rankenėle priveržta, o dalių laisvumas nėra per didelis.
- Kad išvengtumėte netikėto kontakto su geležte, sumažintumėte geležtės lūžimo pavojų ir kuo geriau paremtumėte geležtę, visada nustatykite geležtės kreiptuvo bloką prie pat ruošinio.
- Naudokite tik rekomenduojamas papildomas detales.

- Prieš įjungdami pjūklą pašalinkite viską nuo pjovimo stalo, išskyrus ruošinį ir naudojamus atraminius įtaisus.
- Tinkamai paremkite apskritas medžiagas, pvz., kaiščių strypus arba vamzdžius, nes pjaunant ji gali riedėti, ir pjovimas bus nelygus. Kad to išvengtumėte, visada naudokite V formos blokelį arba prispauskite ruošinį prie įstrižumo matuoklio.
- Prieš nuimdami palaidas dalis nuo pjovimo stalo išjunkite pjūklą ir palaukite, kol visos judančios dalys sustos.

### ĮRENGINIO ĮJUNGIMAS / IŠJUNGIMAS

Žr. 12 pav.

- Paspausdami „I“ įjunkite įrenginį.
- Paspausdami „O“ išjunkite įrenginį.


### PRIEŠ PALIKDAMI ĮRENGINĮ

Žr. 12 pav.

- Išjunkite įrenginį. Palaukite, kol pjūklas visiškai sustos.
- Atjunkite įrenginį nuo maitinimo tinklo.
- Apsaugokite darbo vietą nuo vaikų.
- Naudodamiesi „Rapidsset™“ geležtės įtempimo svirtimi sumažinkite pjūklo geležtės įtempimą, kad geležtė tarnautų ilgiau.
- Užrakinkite dirbtuves.

### DARBINĖS LEMPOS ĮJUNGIMAS / IŠJUNGIMAS

Žr. 13 pav.

- Paspausdami „“ įjunkite darbinę lempą.
- Paspausdami „O“ išjunkite darbinę lempą.

### STALO PAKREIPIMAS

Žr. 14 pav.

- Šiek tiek atsukite stalo fiksavimo rankenėlę.
- Sukite kampo reguliavimo rankenėlę pakreipdami pjovimo stalą, kol jis bus nustatytas į norimą kampą.
- Naudodamiesi skalės indikatoriumi tikrinkite kampo žymas.
- Priverždami stalo fiksavimo rankenėlę įtvirtinkite pjovimo stalą jo vietoje.

### ĮSTRIŽUMO MATUOKLIO NAUDOJIMAS

Žr. 15 - 16 pav.

Įstrižumo matuoklį galima nustatyti ne daugiau kaip 60° į dešinę arba į kairę.

- Atsukite įstrižumo matuoklio fiksavimo rankenėlę.
- Kai įstrižumo matuoklis yra įstrižumo matuoklio lizde, sukite matuoklį, kol skalėje bus nustatytas norimas kampas.





## Lietuviškai (Originalių instrukcijų vertimas)

- Priveržkite fiksavimo rankenėlę.

### KREIPIAMOSIOS PLOKŠTELĖS NAUDOJIMAS

Kreipiamoji plokštelė naudojama visiems išilginio pjovimo darbams. Niekada neatlikite išilginio pjūvio naudodamiesi tik rankomis, nepritvirtinę kreipiamosios plokštelės.

- Kreipiamąją plokštelę nustatykite norimą išilginio pjovimo plotį ir užfiksuokite ją.
- Prieš pradėdami pjauti įsitikinkite, kad kreipiamoji plokštelė yra lygiagreti su pjūklo geležte. Jei išilgai pjaunate ilgą arba didelę plokštes, būtinai naudokite ruošinio atramą.
- Laikykite ruošinį prispaudę prie plokštelės ir stumkite jį pro pjūklo geležtę sklandžiai ir stabiliai spausdami.

### NUSTATYMAI

#### ĮSPĖJIMAS

Prieš atlikdami bet kokius reguliavimo darbus įsitikinkite, kad įrenginys atjungtas nuo maitinimo tinklo, o jungiklis yra išjungimo padėtyje. Nesilaikant šio perspėjimo, galima sunkiai susižeisti.

#### ĮSPĖJIMAS

Kad išvengtumėte sužeidimų, visada užtikrinkite tinkamą geležtės įtempimo, geležtės nukreipimo, geležtės kreiptuvų ir atraminių guolių reguliavimą.

### GELEŽTĖS MONTAVIMAS IR REGULIAVIMAS

Žr. 17 pav.

- Atskirkite ir išimkite sparnuotąjį varžtą, poveržles ir D formos veržlę iš pjovimo stalo.
- Atskirkite dangčių tvirtinimo varžtą ir nuimkite priekinius dangčius.
- Sukdami fiksavimo rankenėlę prieš laikrodžio rodyklę atlaisvinkite geležtės kreiptuvo bloką. Sukdami geležtės kreiptuvo rankenėlę (sukant pagal laikrodžio rodyklę geležtės kreiptuvo blokas kyla; sukant prieš laikrodžio rodyklę jis leidžiasi) nustatykite geležtės kreiptuvo bloką maždaug pusiaukelėje tarp pjovimo stalo ir pjūklo korpuso. Priveržkite fiksavimo rankenėlę.
- Atidarykite geležtės apsauginį įtaisą traukdami kaiariją apsauginio įtaiso pusę nuo rato.
- Visiškai panaikinkite geležtės įtempimą.
- Atsargiai išimkite seną geležtę.
- Mūvėdami pirštines atsargiai išvyniokite naują geležtę iki rankos ilgio. Jei nauja geležtė buvo patepta saugant nuo korozijos, reikia ją nušluostyti, kad alyva neišteptų

jūsų ruošinio. Atsargiai šluostykite ta pačia kryptimi, kuria atsukti dantukai, kad pjūklo geležtės dantukai nepelėšytų šluostės.

**PASTABA:** Jei dantukai atsukti netinkama kryptimi, gali reikėti apsukti geležtę. Laikykite geležtę abiem rankomis ir sukite ją į vidų.

- Kai geležtės dantukai, esantys pjūklo kairėje pusėje, bus nukreipti į apačią, dėkite geležtę pro apatinius geležtės kreiptuvus ir apie abu ratus.
- Ranka sukdami viršutinį ratą į dešinę arba pagal laikrodžio rodyklę centruokite geležtę ant guminių padangų.
- Prijunkite „RapidSet™“ geležtės įtempimo svirtį ir reguliuokite geležtės įtempimą; tikrinkite ir reguliuokite geležtės nukreipimą.
- Reguluokite viršutinį ir apatinį geležtės kreiptuvus bei atraminius guolius, kaip paaiškinta toliau šioje naudojimo instrukcijoje.
- Įstatykite sparnuotąjį varžtą, poveržles ir D formos veržlę. Gerai priveržkite.
- Uždarykite geležtės apsauginį įtaisą ir priekinį dangtį. Priveržkite dangčio fiksavimo varžtą.

### GELEŽTĖS KREIPTUVO BLOKO REGULIAVIMAS

Žr. 18 - 19 pav.

Kad geležtė nesusisuktų ir nelūžtų, geležtės kreiptuvo bloką visada reikia nustatyti maždaug 3,2 mm (1/8") virš ruošinio.

- Sukdami fiksavimo rankenėlę prieš laikrodžio rodyklę atlaisvinkite geležtės kreiptuvo bloką.
- Naudodamiesi nereikalingu ruošiniu iš tokios pat medienos, kokią ketinate pjauti, nustatykite geležtės kreiptuvo bloko aukštį. Reguluokite geležtės kreiptuvo bloką sukdami geležtės kreiptuvo rankenėlę.
- Užfiksuokite geležtės kreiptuvo bloką jo vietoje sukdami fiksavimo rankenėlę pagal laikrodžio rodyklę.
- Prieš įjungdami juostinį pjūklą būtinai užfiksuokite geležtės kreiptuvo bloką jo vietoje.

### GELEŽTĖS KREIPTUVO ATRAMOS IR ATRAMINIŲ GUOLIŲ REGULIAVIMAS

Žr. 20 - 21 pav.

**PASTABA:** Priveržkite fiksavimo rankenėlę; prieš reguliuodami skaitykite procedūrų aprašymus šios naudojimo instrukcijos skyriaus MONTAVIMAS dalyse „Geležtės įtempimo reguliavimas“ ir „Geležtės nukreipimas“.

Viršutiniai ir apatiniai geležtės atraminiai guoliai remia, o kreiptuvai nukreipia pjūklo geležtę atliekant pjovimo darbus. Guolių ir kreiptuvų reguliavimą reikia tikrinti sumontavus naują geležtę.





## Lietuviškai (Originalių instrukcijų vertimas)

### Atraminų guolių reguliavimas:

Atraminiai guoliai remia galinę geležtės briauną atliekant pjovimo darbus. Nustojus pjauti, geležtė turi neliesi atraminų guolių. Svarbu, kad viršutiniai ir apatiniai atraminiai guoliai būtų sureguliuoti vienodai.

- Atidarykite priekinius dangčius ir geležtės apsauginį įtaisą.
- Naudodamiesi šešiabriauniu raktu atsukite viršutinio ir apatinio atraminio guolio varžtus ir nustumkite atraminius guolius į galinę pjūklų pusę.
- Tikrinkite, ar pjūklų geležtė tinkamai nukreipiama, tada stumkite atraminį guolį į priekį, kol guolis bus 0,4 mm (1/64") atstumu nuo geležtės. Priveržkite atraminio guolio varžtą.
- Stumkite apatinį guolį į priekį, kol tarpelis bus tinkamas. Priveržkite atraminio guolio varžtą.

### Geležtės kreiptuvo atramos reguliavimas:

- Atsukite geležtės kreiptuvo atramą ir geležtės kreiptuvo nustatymo varžtus šešiabriauniu raktu.
- Stumkite viršutinio geležtės kreiptuvo atramą ant veleno, kol priekinė kreiptuvų briauna palies pjūklų geležtę už tarpdančio. Gerai priveržkite varžtą.
- Stumkite dešinįjį kreiptuvą, kad paliestų geležtę, ir paleiskite. Lėtai sukite ratą vieną apsisukimą. Priveržkite geležtės kreiptuvo nustatymo varžtus.
- Reguluokite kairinį kreiptuvą, kad tarp geležtės ir kreiptuvo būtų 0,4 mm (1/64") tarpas (maždaug kortos storio), įterpdami kortą tarp kairiojo kreiptuvo ir geležtės.
- Spauskite kairiojo kreiptuvo kaištį, kad korta laikytųsi. Priveržkite nustatymo varžtą ir išimkite kortą.
- Ranka sukite tris pilnus apsisukimus ir įsitinkite, kad geležtė nestringa.
- Uždarykite geležtės apsauginį įtaisą ir priekinį dangtį. Užfiksukite varžtą.

Kartokite šiuos veiksmus su apatinio geležtės kreiptuvo atrama.

### KREIPIAMOSIOS PLOKŠTELĖS REGULIAVIMAS

- Atlaisvinkite rankeną sukdami ją pagal laikrodžio rodyklę.
- Nustatykite kreipiamąją plokštelę į norimą padėtį.
- Spausdami fiksavimo rankeną į apacią užfiksukite kreipiamosios plokštelės padėtį.
- Sukdami fiksavimo rankeną reguliuokite gnybtų įtempimą.

### PRIEŽIŪRA

#### ▲ ĮSPĖJIMAS

Sugedusias detales keiskite tik originaliomis atsarginėmis detalėmis. Kitų detalių naudojimas gali sukelti pavojų ar sugadinti įrankį.

#### ▲ ĮSPĖJIMAS

Dirbdami įrenginiu būtinai užsidėkite apsauginius akinius. Jei darbo metu kyla dulks, taip pat dėvėkite kaukę nuo dulkių.

#### ▲ ĮSPĖJIMAS

Prieš atlikdami bet kokius techninės priežiūros darbus įsitinkite, kad įrenginys atjungtas nuo maitinimo tinklo, o jungiklis yra išjungimo padėtyje. Nesilaikant šio perspėjimo, galima sunkiai susižeisti.

### BENDRA PRIEŽIŪRA

Valydami plastikines detales, nenaudokite tirpiklių. Komerčiniai tirpikliai lengvai pažeidžia daugelį plastikinių detalių ir juos naudojant galima pažeisti plastikines detales. Valydami purvą, dulkes, tepalus, alyvas ir t.t., naudokite švarias šluostes.

#### ▲ ĮSPĖJIMAS

Stabdžių skysčiai, gazolinai ir benzino produktai, skvarbios alyvos ir pan. jokiū būdu negali patekti ant plastiko dalių. Juose yra chemikalų, kurie gali sugadinti, pažeisti arba susilpninti plastiką.

- Užtikrinkite įrenginio švarą.
- Dažnai valykite pjūvenas iš įrenginio vidaus.
- Saugokite, kad ant pjovimo stalo, geležtės kreiptuvų ir atraminų guolių nesikauptų derva. Valykite ją sakų ir dervos šalinimo priemone.
- Pjovimo stalo viršų padenkite plonu automobiliūno vaško sluoksniu, kad pjūvanant medis lengvai slystų.

### Sutepimas

Kad įrankis ilgai veiktų normaliomis darbo sąlygomis, visi šio įrankio guoliai tepami užpilant pakankamą kiekį aukštos kokybės tepalo. Todėl daugiau jo tepti nebereikia.

## Lietuviškai (Originalių instrukcijų vertimas)

### PADANGOS

#### Padangų valymas:

- Ant padangų kaupiasi derva ir pjuvenos, todėl reikia reguliariai jas valyti smulkiu vieliniu šepėčiu arba medienos gabalu. **Nenaudokite aštrių peilių ir jokių tirpiklių.**

#### Padangų keitimas:

- Atidarykite priekinį dangtį ir išimkite pjūklo geležtę. Žr. skyrių „Geležtės montavimas ir reguliavimas“.
- Atsargiai nuimkite nusidėvėjusią padangą nuo rato.
- Uždėkite ant rato naują padangą.
- Įdėkite atgal pjūklo geležtę ir uždarykite priekinį dangtį.

### ŠEPETĖLIS

Žr. 22 pav.

Pjūklo korpuse, šalia rato, yra šepetys. Jis padeda saugoti padangą ir ratą nubraukdamas pjuvenas. Šepėčiui nusidėvėjus, jį reikia reguliuoti arba pakeisti.

- Išsukite varžtą, nuimkite poveržlę ir išimkite šepetį.
- Įdėkite į griovelį naują šepetį.
- Uždėkite poveržlę ir prisukite varžtą.

### GABENIMAS IR LAIKYMAS

Žr. 23 - 24 pav.

- Prieš transportuodami įrenginį atjunkite maitinimo laidą, nuleiskite geležtės apsauginį įtaisą ir išmontuokite įrenginį. Stūmiklį laikykite ant viršutinio korpuso šono. Kelkite įrenginį už viršutinio korpuso, kaip parodyta. Laikykite gaminį saugioje, vaikams nepasiekiamoje vietoje.
- Prieš padedant laikyti, gaminį reikia išvalyti šepėčiu arba dulkių siurbliu.

### APLINKOS APSAUGA



Žaliavines medžiagas perdirbkite pakartotinai, o ne išmeskite kaip atliekas. Mechanizmas, priedai ir pakuotės turi būti laikomi pakartotinai perdirbti aplinkai nekenksmingu būdu.

### SIMBOLIAI



Saugos perspėjimas



CE atitiktis



Prieš pradėdami naudoti šį prietaisą, prašome atidžiai perskaityti šias instrukcijas.



Dėvėkite akių apsaugos priemones



Dėvėkite klausos apsaugos priemones



PAVOJUS! Aštri geležtė.



Bloškėtājs



Atrakinti



Maksimalus pjovimo gylis



Maksimalus pjovimo plotis



Maksimalus pjovimo kampas



Veikimo greitis



Geležtės dydis



Prieš vykdant techninę priežiūrą įrankį būtina atjungti nuo maitinimo.



Elektrinių produktų atliekos neturi būti metamos kartu su namų ūkio atliekomis. Prašome perdirbkite jas ten, kur yra tokios perdirbimo bazės. Dėl perdirbimo patarimo kreipkitės į savo vietinę savivaldybę ar pardavėją.



## Lietuviškai (Originalių instrukcijų vertimas)

### TRIKČIŲ DIAGNOSTIKA

Gedimas	Galima priežastis	Sprendimas
Variklis nesisuka	<ol style="list-style-type: none"> <li>Ijungimo / išjungimo jungiklio arba maitinimo kabelio problema.</li> <li>Sugedo variklis.</li> <li>Stringa geležtė.</li> </ol>	<ol style="list-style-type: none"> <li>Prieš vėl naudojant įrenginį reikia pakeisti nusidėvėjusias dalis.</li> <li>Nebandykite atlikti jokių remonto darbų. Įrankį turi remontuoti tik kvalifikuotas specialistas.</li> <li>Išimkite įstrigusią medžiagą.</li> </ol>
Geležtė nėra maždaug viršutinio rato centre.	<ol style="list-style-type: none"> <li>Geležtė netinkamai nukreipiama.</li> </ol>	<ol style="list-style-type: none"> <li>Reguliuokite nukreipimą, žr. dalį „Geležtės nukreipimas“ skyriuje REGULIAVIMAS.</li> <li>Pažeistą laidą ar kištuką privalo nedelsiant pataisyti kvalifikuotas technikas.</li> </ol>
Juostinio pjūklo greitis pjaunant sumažėja.	<ol style="list-style-type: none"> <li>Per mažas pjovimo spindulys.</li> <li>Geležtė atšipo.</li> </ol>	<ol style="list-style-type: none"> <li>Stabdykite ruošinio tiekimą ir šiek tiek atitraukite pjaunamą medžiagą, kol juostinis pjūklas įsibėgės.</li> <li>Pakeiskite geležtę.</li> </ol>
Geležtė sulūžo.	<ol style="list-style-type: none"> <li>Geležtė per stipriai įtempta.</li> <li>Geležtė susisuko, nes per mažas pjovimo spindulys arba pjaunant medžiaga sukama per greitai.</li> <li>Atraminiai guoliai subraižyti arba nesisuka.</li> </ol>	<ol style="list-style-type: none"> <li>Reguliuokite įtempimą. Žr. dalį „Geležtės įtempimo reguliavimas“ skyriuje REGULIAVIMAS.</li> <li>Naudokite tinkamą pjovimo metodą. Žr. skyrių „Naudojimas“.</li> <li>Pakeiskite atraminius guolius.</li> </ol>
Įrenginys veikia triukšmingai.	<ol style="list-style-type: none"> <li>Geležtė per stipriai įtempta.</li> <li>Geležtės kreiptuvai ir guoliai liečia geležtę.</li> </ol>	<ol style="list-style-type: none"> <li>Reguliuokite įtempimą. Žr. dalį „Geležtės įtempimo reguliavimas“ skyriuje REGULIAVIMAS.</li> <li>Reguliuokite viršutinius ir apatinius geležtės kreiptuvus bei guolius. Žr. dalį „Geležtės kreiptuvo atramos ir atraminių guolių reguliavimas“ skyriuje REGULIAVIMAS.</li> </ol>
Geležtė nepjauna tiesiai.	<ol style="list-style-type: none"> <li>Geležtės kreiptuvai ir guoliai netinkamai sureguliuoti.</li> <li>Geležtė nusidėvėjo arba buvo sugadinta.</li> </ol>	<ol style="list-style-type: none"> <li>Reguliuokite viršutinius ir apatinius geležtės kreiptuvus bei guolius. Žr. dalį „Geležtės kreiptuvo atramos ir atraminių guolių reguliavimas“ skyriuje REGULIAVIMAS.</li> <li>Pakeiskite geležtę.</li> </ol>
Geležtės kreiptuvai nelieka savo vietoje.	<ol style="list-style-type: none"> <li>Atsilaisvino geležtės kreiptuvo varžtai.</li> </ol>	<ol style="list-style-type: none"> <li>Gerai priveržkite geležtės kreiptuvo varžtus.</li> </ol>
Variklis veikia, bet geležtė nesisuka.	<ol style="list-style-type: none"> <li>Netinkamai nustatytas įtempimas.</li> <li>Nutrūko pavaros diržas.</li> </ol>	<ol style="list-style-type: none"> <li>Nustatykite įtempimą naudodamiesi geležtės įtempimo svirtimi.</li> <li>Pažeistą laidą ar kištuką privalo nedelsiant pataisyti kvalifikuotas technikas.</li> </ol>





## Eesti (Originaaljuhendi tõlge)

### KIRJELDUS

- |   |                                      |
|---|--------------------------------------|
| 1. Saelindi pingutusnupp                    | 53. Lukk                             |
| 2. Katte kinnituskruvi                      | 54. Tugilaager                       |
| 3. Liikumistrajektoori vaateaken            | 55. Tugilaagri kruvi                 |
| 4. Töökohta valgusti                        | 56. Saelindi juhiku kinnituskruvi    |
| 5. Saeketta kaitse                          | 57. Ülemine saelindi juhiku tugi     |
| 6. Saeleht                                  | 58. Saelindi juhik                   |
| 7. Nurgamöödik                              | 59. Saelindi juhiku fikseerimiskruvi |
| 8. Saepuru väljalaskeava                    | 60. Saelindi juhiku kruvi            |
| 9. Skaala indikaator                        | 61. Alumine saelindi juhiku tugi     |
| 10. Nurga reguleerimisnupp                  | 62. Hari                             |
| 11. Skaala                                  | 63. Seib                             |
| 12. Laua lukustushoob                       | 64. Poldid                           |
| 13. Lukustusnupp                            | 65. Rehv                             |
| 14. Saelindi juhiku reguleerimisnupp        |                                      |
| 15. Saelindi pingsuse hoob                  |                                      |
| 16. Avaplaat                                |                                      |
| 17. Jooksu reguleerimise nupp               |                                      |
| 18. „Sisse/välja“-lülit                     |                                      |
| 19. Töölaud                                 |                                      |
| 20. Alumine esipaneel                       |                                      |
| 21. Ülemine esipaneel                       |                                      |
| 22. Paralleeltugi                           |                                      |
| 23. Töövalgusti lülit                       |                                      |
| 24. Tõukepulk                               |                                      |
| 25. Ristpeakruvikeeraja (ei ole komplektis) |                                      |
| 26. Reguleeritav võti (ei ole komplektis)   |                                      |
| 27. Väike nurgik (ei ole komplektis)        |                                      |
| 28. Kuuskantvõti , 3 mm                     |                                      |
| 29. Kuuskantvõti , 4 mm                     |                                      |
| 30. Kuuskantvõti , 5 mm                     |                                      |
| 31. Seib                                    |                                      |
| 32. Kübarmutrid                             |                                      |
| 33. Seibid                                  |                                      |
| 34. Jalad                                   |                                      |
| 35. Lukustuspoldid                          |                                      |
| 36. Kuuskantmutrid                          |                                      |
| 37. Laienduse tugi                          |                                      |
| 38. Augud sae aluses                        |                                      |
| 39. D-mutter                                |                                      |
| 40. Liblikkruvi                             |                                      |
| 41. Töölaua klamber                         |                                      |
| 42. Saelindi juhikusõlm                     |                                      |
| 43. Reguleerimispol                         |                                      |
| 44. Pinge vähendamine                       |                                      |
| 45. Pinge suurendamine                      |                                      |
| 46. Lukustusnupp                            |                                      |
| 47. Nurgamöödiku pilt                       |                                      |
| 48. Ristpeakruvid                           |                                      |
| 49. Ülemine ratas                           |                                      |
| 50. Alumised saelindi juhikud               |                                      |
| 51. Alumine ratas                           |                                      |
| 52. Lahtikeeramine                          |                                      |





## Eesti (Originaaljuhendi tõlge)

Lintsae juures on peetud esmatähtsaks ohutust, töövoimet ja töökindlust.

### OTSTARBEKOHANE KASUTAMINE

Lintsaaug on mõeldud puidu ja puidust valmistatud toodete sirgjooneliseks, spiraal- ja ringsaagimiseks.

Toodet tohivad kasutada täiskasvanud isikud, kes on lugenud läbi kasutusjuhendi ning mõistavad tööriista kasutamiseiga seotud riske ja ohte.

Saagi tuleb kasutada kuivas kohas, kus on piisav valgustus ja nõuetekohane ventilatsioon.

Seade on ette nähtud erakasutajale ja seda tuleb kasutada vaid eespool kirjeldatud otstarveteks ning seda ei tohi kasutada mingiks muuks otstarbeks.

### OHUTUSE ÜLDEESKIRJAD

#### HOIATUS

Elektritööriistade kasutamisel tuleb alati järgida üldisi ohutusnõudeid, et vähendada tulekahjust ja elektrilöögist tingitud ohtu ning vältida kehavigastusi. Lugege enne toote kasutama hakkamist kõik juhised läbi ja hoidke need alles.

- **Hoidke töökoht puhas.** Korratu ümbrus ja tööpink tingivad õnnetusi.
- **Võtke arvesse töökeskkonda.** Ärge jätke elektrilisi tööriistu vihma käes või niiskes kohas. Hoidke töökoht hästi valgustatud. Ärge kasutage tööriista kohtades, kus on kergsüttivaid vedelikke või gaase.
- **Kaitske end elektrilöögi eest.** Töötamisel hoiduge kehalisest kontaktist maandatud pindadega (näiteks torude, radiaatorite, elektriliitide ja külmikutega).
- **Hoidke kõrvalised isikud eemal.** Ärge laske teistel, eriti lastel, kes on töösse kaasatud, tööriista või pikendusjuhet puudutada ja hoidke nad tööpiirkonnast eemal.
- **Hoidke mittekasutatavaid tööriistu hoiukohas.** Kui tööriista ei kasutata, siis tuleb seda hoida kuivas, lukustatud ruumis, lastele kättesaamatus kohas.
- **Ärge kasutage töötamisel liigset jõudu.** Õigesti valitud tööriist töötab paremini ja ohutumalt selles võimsuspiirkonnas, millele on see ette nähtud.
- **Kasutage õigeid lõikeriistu.** Ärge kasutage väiketööriistu tööks, mis nõuavad tugevdatud konstruktsiooniga tööriistu. Ärge kasutage muudeks otstarveteks, kui see on ette nähtud, näiteks ärge kasutage ketassaagi puukoste või ümarpuidu saagimiseks.

- **Kandke tööks sobivat riietust.** Ärge kandke lõtvu riietusesemed või ehteid, sest need võivad haakuda liikuvate osade külge. Väljas töötades on soovitatav kanda libisemiskindlaid jalatseid. Kandke peakatet, mis hoiab pikad juuksed kinni.
- **Kasutage isikukaitsevahendeid.** Kandke kaitseprille. Kui saagimisoperatsioonil eraldub tolmu, siis kandke näo- või tolmumaski.
- **Ühendage tolmüraastamise süsteem.** Kui tööriistal tuleb kasutada tolmu eraldamis- või kogumisseadisi, siis veenduge, et need on ühendatud ja nõuetekohases kasutuses.
- **Ärge kasutage toitejuhet nõuetevastasel.** Ärge mingil juhul kasutage toitejuhet pistiku pesast väljatõmbamiseks. Hoidke toitejuhe eemale kuumusest, õlist ja teravatest servadest.
- **Kinnitage toorik.** Kui võimalik, kinnitage toorik pitskruidudega või kruustangide vahele. See on ohutum kui käte kasutamine.
- **Ärge künnitage end töötamisel liigselt välja.** Hoidke end pidevalt jalgedel ja tasakaalus.
- **Hooldage tööriistu hoolikalt.** Ohutuks töötamiseks hoidke lõikeketas terava ja puhtana. Järgige määrimise ja tarvikute vahetamise juhiseid. Kontrollige tööriista toitejuhe perioodiliselt üle ja kui avastate selle vigastuse, siis laske see pädevas hooldusasutuses ära parandada. Kontrollige pikendusjuhtmed perioodiliselt üle ja asendage kui need on vigastatud. Hoidke tööriista käepidemed kuivana, puhtana ja ärge laske neile sattuda õli või märet.
- **Ühendage tööriistad lahti.** Kui tööriista ei kasutata, enne kui seda hakatakse teenindama või tarvikuid näiteks lõiketerasid, otsakuid ja freese vahetama, ühendage seadme toide välja.
- **Kõrvaldage reguleerimisrakised ja mutrivõtmed.** Kujundage endas harjumus enne sae käivitamist kontrollida, et kõik reguleerimisseadised ja mutrivõtmed on eemaldatud.
- **Vältige tahtmatut käivitumist.** Veenduge, et lüliti on enne pistikupespa ühendamist väljalülitatud asendis.
- **Kasutage välistingimusteks ettenähtud pikendusjuhtmeid.** Kasutage vaid välistingimustes kasutamiseks lubatud ja vastavalt markeeritud pikendusjuhtmeid.
- **Olge töötamisel tähelepanelik.** Vaadake ette mida teete, kasutage sealjuures tervet mõistust ja ärge kasutage tööriista kui olete väsinud.
- **Kontrollige vigastatud osad üle.** Enne vigastatud osaga tööriista edasist kasutamist tuleb see hoolikalt üle kontrollida ja kindlaks teha, kas see töötab õigesti ning täidab ettenähtud funktsiooni. Kontrollige liikuvate osade tsentreeritust, vaba liikumist, vigastusi, kinnituskohti ja muud, mis võivad tööd





## Eesti (Originaaljuhendi tõlge)

mõjustada. Vigastatud kaitseseadised ja osad tuleb lasta parandada või asendada pädeval hooldajal, kui kasutusjuhendis ei ole teisiti mainitud. Laske rikkis lülitid asendada volitatud teeninduskeskuses. Ärge kasutage seadet, kui lüliti ei lülita seda sisse ja välja.

- **Hoiatus.** Kasutusjuhendis soovimatata tarvikute või lisaseadmete kasutamine võib põhjustada tõsise kehavigastuse ohtu.
- **Laske oma tööriist parandada pädeval töötajal.** See elektritööriist vastab asjassepuutuvatele ohutusreeglitele. Remonttööd tohib teha ainult kvalifitseeritud isik, kasutades sealjuures originaalvaruosi, vastasel juhul võib ilmned kasutajale märkimisväärne oht.

### LINTSAE OHUTUSJUHISED

- **Kinnitage saag kindlalt tööpingi külge umbes puusade kõrgusele.**
- **Ärge kunagi kasutage toodet põrandal.**
- **Vältige ohtlikke töövõtteid ja käeasendeid, mille puhul ootamatu libisemine võib põhjustada käe sattumise löikekettale.** Veenduge, et te olete hästi tasakaalus.
- **Enne kui alustate saagimist, laske mootoril saavutada täiskiirus, et tagada toote korrektne töötamine.**
- **Ärge kasutage masinat siis, kui lüliti ei lülita seda sisse ja välja.** Laske rikkis lülitid asendada volitatud teeninduskeskuses.
- **Asendusosad.** Remonttööd, nii elektrilisi kui mehaanilisi, tohivad teostada volitatud teeninduse kvalifitseeritud hooldustehnikud.
- **Kasutage teenindamisel ainult täpselt sobivaid varuosi.** Muude osade kasutamine võib tekitada ohuolukorra ja põhjustada seadme vigastumise.
- **Hoidke käed löikeketta tööpiirkonnast eemal.** Ärge hoidke käega nii väikeseid töödetaile, et teie sõrmed ulatuvad saelindi kaitse alla. Ärge pange mingil juhul oma sõrmi ja käsi tooriku alla või saetele.
- **Ärge kunagi saagige rohkem kui ainult ühte detaili ega kuhjake töölauale rohkem kui ainult ühte detaili.**
- **Ärge söotke materjali liiga kiiresti.** Ärge kunagi suruge detaili jõuga vastu saelinti.
- **Kasutage ainult ettenähtud löikekettaid.** Valige saelindi suurus ja tüüp vastavalt teostatava töö materjalile ja löiketüübile. Saelindi hambad peavad olema suunatud alla töölaua suunas.
- **Saagimise ajal toetage alati suuri töödetaile, et vähendada tera muljumise ja tagasilöögi riski.** Suurte ja raskete laudade saagimisel võib saelint libiseda või paigast nihkuda.

- **Ärge eemaldage kinnijäänud mahalõigatud tükke enne, kui saelint on peatunud.**
- **Ärge kasutage kahjustunud või deformeerunud saelinte.**
- **Asendage töölaua vahetükk, mis on kulunud.**
- **Saagimise ajal ühendage saag tolmu kogurile.**
- **Ärge kasutage toodet, kui saelindi kaitse on lahti.**
- **Valige saelint ja kiirus vastavalt töödeldavale materjalile.**
- **Ärge puhastage liukvat saelinti.**
- **Saelindi ja karedate materjalide käsitlemise ajal kandke kindaid.**
- **Väikeste töödetaile otsesaagimisel koos paralleeltoega kasutage tõevarrast.**
- **Saelindi kaitse peab transportimise ajal olema langetatud täiesti alla ning asuma lauade lähedal.**
- **Faasilõikamise korral kallutatud töölaua asetage paralleeltugi töölaua madalamale osale.**
- **Ümmarguse või ebaregulaarse kujuga puudu saagimisel hoidke seda kinni sobiva vahendiga, et vältida töödetaili keerlemist.**
- **Ärge kasutage kaitseid käsitlemiseks ega transportimiseks**
- **Sättige reguleeritav kaitse töödetaile võimalikult lähedale.**
- **Ärge mingil juhul puudutage töötamise ajal löikekettast või muid liikuvaid osi.**
- **Enne seadistuste muutmist ja katete, kaitsete või saelintide eemaldamist tuleb saag vooluvõrgust lahti ühendada.**
- **Hoidke alati töödeldav detail kindlalt vastu lauda.**
- **Et vältida juhuslikku kokkupuudet saelindiga, vähendada saelehe murdumist ja toetada saelehte maksimaalselt.** Reguleerige lindijuhikuid alati nii, et nad oleksid peaaegu töödeldava detaili vastas.
- **Hoidke löikekettad puhtad, teravad ja teritage õigete löikenurkade alla.** Terav löikekettas minimeerib kinnijäämist ja tagasilööki.
- **Enne lahtiühendamist lülitage saag kindlasti välja, et vältida selle ootamatut käivitumist uuesti ühendamisel.**
- **Enne mistahes löikeoperatsiooni tegemist saaga tagage töökohal piisav valgustus, et näha toorikut ja takistused ei piira ohutut töötamist.**
- **Lindijuhikud on tehases seadistatud.** Need seaded on mõnede rakenduste puhul funktsionaalsed. Enne sae kasutuselevõttu soovitage kontrollida ja reguleerida lindijuhikute seadistusi. Tutvuge käesoleva kasutusjuhendi SEADISTUSTE osa lõigus "Tugilaagrite ja lindijuhiku toe reguleerimine" kirjeldatud protseduuridega.





## Eesti (Originaaljuhendi tõlge)

- **Ärge kasutage tööriista metalli lõikamiseks.**
- **Tööriistal on järgmised markeeringud:**
  - Kandke silmade kaitsevahendeid
  - Hoidke käed lõikekettast eemal.
  - Ärge eemaldage kinnijäänud või mahalõigatud tükke enne, kui saelint on seisma jäänud.
  - Veenduge, et saelinti paigaldades jäävad hambad allapoole.
  - Säilitage lindi pingsuse ning lindijuhkute ja tugilaagrite õige seadistus.
  - Seadke ülemine juhik peaaegu vastu töödeldavat detaili.
  - Saagides hoidke töödeldav detail kindlalt vastu lauda.
- **Kui toitejuhe on vigastatud, siis tuleb see lasta asendada tootja või klienditeenindaja poolt, et ohtusid vältida.**
- **Hoidke käesolev juhend alles.** Lugege juhend aeg-ajalt uuesti läbi ja kasutage seda teiste kasutajate juhendamiseks. Kui tööriista välja laenate, siis andke käesolev kasutusjuhend kaasa.

### ELEKTRISÜSTEEM

#### PIKENDUSJUHTMED

Kasutage vaid 3-soonelist pikendusjuhet, millel on 3-kontaktiline pesa ja 3-kontaktiline pistik. Kui kasutate seadet toiteallikast kaugel, siis kasutage suure ristlõikega pikendusjuhet, mis on võimeline tagama piisava pinge. Liiga väikese ristlõikega pikendusjuhtme kasutamisel tekib pingelangus, millega kaasneb võimsuskadu ja mootori ülekuumenemine.

Enne pikendusjuhtme kasutamist kontrollige, ega mõni juhtme soon pole lahti või kulunud isolatsiooniga.

#### ⚠ HOIATUS

Hoidke pikendusjuhe väljaspool tööala. Mehaanilise tööriistaga töötamisel tuleb pikendusjuhe paigaldada nii, et see ei takerdu puude, tööriistade ega muude takistuste taha. Muidu võib tulemuseks olla raskest kehavigastused.

#### ⚠ HOIATUS

Kontrollige pikendusjuhtmed iga kord enne kasutamist üle. Kui see on vigastatud, asendage viivitamatult. Ärge mingil juhul kasutage vigastatud juhtmega tööriista, sest vigastatud koha puudutamisel võite elektrilöögist saada raske vigastuse.

#### ELEKTRILINE ÜHENDAMINE

Värvipriitsil on täppiskonstruktsiooniga elektrimootor. Seda tohib ühendada vaid toitevõrku 220~240 V, AC (tavaline tavavooluvõrgu pinge), 50 Hz. Ärge ühendage seda seadet alalisvooluvõrku (DC). Kui pinge tundub langeda, siis see võib põhjustada võimsuskadu ja mootori ülekuumenemise. Kui seade pistikupessa ühendamisel tööle ei hakka, siis kontrollige vooluvõrk üle.

#### PÖÖRLEMISKIIRUS JA JUHTMESTIK

Toote ilma koormuseta kiirus on umbes 11 m/s. See kiirus ei ole muutumatu ja langeb koormuse tõstmisel või pingelangemisel. Pinge jaoks on töökoja juhtmestik sama oluline kui mootori nominaalne sisendvõimsus. Toitelin, mis on ette nähtud vaid valgusti jaoks, ei ole piisava ristlõikega elektrilise tööriista mootori jaoks. Toitejuhe, mis on piisav lühikesel vahekaugusel kasutamiseks ei pruugi olla piisav pikemal kaugusel kasutamiseks. Toiteliini ristlõige, mis rahuldab ühe elektrilise tööriista vajadused, ei pruugi olla piisav kahe või kolme tööriista jaoks.

#### MAANDAMISJUHISED

Seade peab olema maandatud. Rikke või vigastuse korral loob maandussüsteem voolule väikese takistusega ahela, et sellega vähendada elektrilöögi ohtu. Seadme toitekaabli on maandussoon ja maanduskontaktiga pistik. Pistikut tohib ühendada sobivasse pistikupessa, mis on õigesti paigaldatud ja maandatud ning vastab siseriiklikele seadustele ja määrustele.

Pistiku ümbertegemine on keelatud. Kui pistikupesa nõuetele ei vasta, siis laske paigaldada pädeval elektrikul sobiv pistikupesa. Kui juhe on vigastatud või kulunud, siis tuleb see kohe vahetada.

#### JÄÄKRISKID

Isegi siis, kui seadet kasutatakse kirjeldatud viisil, ei ole võimalik kõrvaldada kõiki jääkriskide mõjureid. Töötamise ajal võivad tekkida järgmised ohud, millele operaator peab pöörama erilist tähelepanu.

- Toorikute ja toorikutükide tagasilöökk, mis on tingitud valesse reguleerimisest või valedest töövõtetest.
- Daños al sistema respiratorio.  
**MÄRKUS:** Kandke hingamismaski, milles on filter vastavalt lõigatavale materjalile. Tagage töökohal nõuetekohane ventilatsioon. Ärge töökohal sööge, jooge ega suitsetage.
- Kuulmiskahjustused, kui ei kanta nõutava kaitsevõimega kuulmiskaitset.



## Eesti (Originaaljuhendi tõlge)

### ÕPPIGE OMA TOODET TUNDMA

Vaata joonist 1.

Selle toote ohutu kasutamine eeldab seadme tundmist ja arusaamist kasutusjuhendi nõuetest ja tööülesandest. Enne seadme kasutamist hakkamist, tutvuge selle kõikide tööomaduste ja ohutusnõuetega.

### NURGA REGULEERIMISNUPP

Kallutab töölauda faasilõigete jaoks.

### SAEKETTA KAITSE

Kaitseb, et kasutaja ei puutuks kokku saelindiga.

### SAELINDI JUHIKU REGULEERIMISNUPP

Lindijuhikusõlme üles- või allapoole seadmiseks ja lindi keerumise või murdumise vältimiseks kasutage saelindi juhiku reguleerimisnuppu. Enne lintsaie sisselülitamist tuleb lindijuhikusõlm alati paigale lukustada.

### SAELINDI JUHIKUD

Ülemine ja alumine lindijuhik aitavad vältida töö ajal lindi keeruminekut.

### SAEPURU VÄLJALASKEAVA

53 mm saepuru väljalaskeava võimaldab lõigata tolmuvabalt. Ühendage väljalaskeavasse tolmukott (ei ole kaasas) või tolmumeija.

### KATTE KINNITUSKRUVI

Võimaldab eesmise katte reguleerimise ajaks lahti võtta.

### NURGAMÕÕDIK

See mõõdik suunab puitu ristlõike ajal. Hõlpsasti loetav näidik näitab 15°, 30°, 45° ja 60° faasimise puhul täpset nurka.

### RAPIDSET™ SAELINDI PINGSUSE HOOB

Kontrollib lindi pingsust lindi vahetamisel ja erinevate tööde jaoks seadistamisel.

### SAELEHT

Saega on kaasas standardne 6,35 mm saelint.

### AVAPLAADIGA TÖÖLAUD

Lintsaie on kallutatav töölaud. Tehases paigaldatud avaplaat reguleerib lindi liikumise vahemikku.

### SKAALA JA SKAALA INDIKAATOR

Skaala ja skaala indikaator näitavad faasilõigete puhul töölauda kallutusnurka ehk -kraadi.

### LAUA LUKUSTUSHOOB

Laua lukustushoova vabastades saab töölauda erineva nurga alla kallutada. Laua lukustushoova pingutades lukustub töölaud paigale.

### JOOKSU REGULEERIMISE NUPP

Reguleerib liikumistrajektoori nii, et saelint püsiks rataste keskel.

### LIIKUMISTRAJEKTOORI VAATEAKEN

Liikumistrajektoori vaateaken teeb trajektoori seadistuse vaatamise hõlpsamaks.

### TÕUKEPULK

Kasutage töödeldava detaili kogu laua pikkuses lükkamiseks alati tõukevarrast.

### LAHTISTE OSADE LOEND

Kirjeldus	Tk.
Seibid	7
Laua lukustushoob	1
Kuuskantvõti , 3 mm	1
Kuuskantvõti , 4 mm	1
Kuuskantvõti , 5 mm	1
Nurgamõõdik	1
Kübarmutrid	4
Jalad	4
Töölaud	1
Lukustuspoldid	2
Kuuskantmutrid	2
Pikendi tugi	1
Paralleeltugi	1
Tõukepulk	1
Kasutusjuhend	1

### KOKKUPANEK

#### LAHTIPAKKIMINE

Toode tuleb kokku panna.

- Tõstke toode ettevaatlikult karbist välja ja pange tasasele tööpinnale.





## Eesti (Originaaljuhendi tõlge)

### ⚠ HOIATUS

Ärge kasutage seda toodet, kui mõni lahtiste osade nimekirjas olev detail on lahtipakitud tootele juba külge monteeritud. Selles nimekirjas olevad osad ei ole tehases paigaldatud ja need peab paigaldama klient. Valesti kokkupandud toote kasutamine võib põhjustada tõsise kehavigastuse.

- Vaadake tööriist hoolikalt üle ja kontrollige, ega transpordi ajal pole midagi purunenud või kahjustunud. **MÄRKUS:** Saelint ei ole transpordi ajal pinge all. Ärge lülitage saagi sisse enne, kui lindi pingsus on õigeks reguleeritud.
- Enne pakendi äraviskamist vaadake tööriist hoolikalt üle ja kontrollige, kas ta töötab korralikult.
- Kui mõni osa on kahjustatud või puudu, pöörduge abi saamiseks teenindusse.

### ⚠ HOIATUS

Kui mõni osa on kahjustatud või puudu, ei tohi toodet enne selle asendamist tööle panna. Kahjustatud või puuduva osadega toote kasutamine võib põhjustada tõsise kehavigastuse.

### ⚠ HOIATUS

Ärge püüdke ümber ehitada ega luua lisaseadmeid, mida pole soovitatud selle tööriistaga koos kasutada. Igasugune konstruktsiooni muutmine või ümberehitamine on väärkasutamine ja põhjustab ohtliku olukorra, mis võib tekitada raske kehavigastuse.

### ⚠ HOIATUS

Ärge ühendage täielikult kokkupanemata saagi vooluvõrku. Vastasel juhul võib saag kogemata käivituda ja põhjustada tõsise kehavigastuse.

### TOOTE TÖÖPINGI KÜLGE KINNITAMINE

Püsivas asukohas kasutamise korral kinnitage toode kindlale pinnale (nt tööpingi külge). Selleks on sae aluses neli poldiava. Poldid (ei ole kaasas) peavad olema piisavalt pikad, et nad ulatuks läbi saealuse ja töölaua ning neile saaks paigaldada lukustusseibid (ei ole kaasas) ja kuuskantmutrid (ei ole kaasas). Keerake kõik neli polti tugevalt kinni.

Kontrollige pärast paigaldamist hoolikalt, et tööpink ei saaks kasutamise ajal liikuda. Kaldumist, libisemist või nihkumist märgates kinnitage tööpink enne tööle asumist pöranda külge.

- Asetage toode tööpingile. Märkige saealust šabloonina kasutades kinnitusavade kohad.
- Puurige tööpink augud.
- Asetage saag tööpingile, nii et saealuse avad oleks tööpingi aukudega kohakuti.
- Pange poldid (ei ole kaasas) avadesse ja pingutage lukustusseibide ja kuuskantmutritega (ei ole kaasas). **MÄRKUS:** kõik poldid sisestatakse ülevaltpoolt. Paigaldage lukustusseibid ja kuuskantmutrid tööpingi alt.

### TOOTE PITSKRUVIDEGA TÖÖPINGI KÜLGE KINNITAMINE

Vaata joonist 4.

Kui saagi kantakse kaasas, soovitakse kinnitada see püsivalt aluslaua külge, mille saab pitskruvidega hõlpsasti tööpingi või mõne muu tugipinna külge kinnitada. Aluslaud peab olema piisavalt suur, et saag ei saaks kasutamise ajal kalduda. Soovitage kasutada 19 mm paksust kvaliteetset vineeri või puitlaastplaati.

Kruvipoltide kasutamisel veenduge, et nad oleksid piisavalt pikad saealuse ja aluspinna avade läbimiseks. Masinapoltide kasutamisel veenduge, et nad oleksid piisavalt pikad saealuse ja aluspinna avade läbimiseks ning lukustusseibide ja mutrite kinnitamiseks.

### MÄRKUS: MUTRITE JA SEIBIDE JAKS VÕIB OSUTUDA VAJALIKUKS TEHA ALUSLAUA ALUMISSE KÜLGE SÜVENDID.

- Kinnitage saag laua külge, kasutades aukude tegemisel šabloonina saealuses olevaid avasid. Märkige ära lintsaie kinnitusavad.
- Toimige eespool osas "Sae tööpingi külge kinnitamine" kirjeldatud kolme viimase sammu kohaselt.

### TÖÖLAUA PAIGALDAMINE

Vaata joonist 5, 7.

- Eemaldage töölaua küljest d-mutter, seibid ja liblikruvi.
- Seiske lintsaie ette ja lükake töölaud saelindist mööda ja läbi pilu paremalt vasemale.
- Hoidke töölaust vasema käega kinni ja tõmmake nurga reguleerimisnupp saeraami küljest ära, seadke töölaua klambri hambad nurga reguleerimisnupu hammastega kohakuti. Laske nupp lahti.
- Pange raami tihvtid töölaua klambri pesadesse.
- Pange seib laua lukustushoova keermestatud otsa külge. Pingutage töölaud laua lukustushooba päripäeva keerates saeraami külge.
- Kinnitage d-mutter, seibid ja liblikruvi töölaua külge.

**MÄRKUS:** Liblikruvi läheb töölaua alla.





## Eesti (Originaaljuhendi tõlge)

### LAIENDUSE TOE PAIGALDAMINE

Vaata joonist 6.

- Pange laienduse toe torud tagant saealuses olevatesse avadesse.
- Pange torudes olevad avad saealuse avadega kohakuti.
- Sisestage lukustuspoldid ning keerake seibid ja mutrid kinni.

### TÖÖLAUA JA SÆLINDI TÆISNURGA ALLA SEADMINE

Vaata joonist 8 - 9.

- Keerake lukustusnuppu vastupæeva ja vabastage saelindi juhikusõlme. Tõstke saelindi juhikusõlm lindijuhiku reguleerimisnuppu pæripæeva keerates võimalikult üles. Pingutamiseks keerake lukustusnuppu pæripæeva.
- Asetage töölauale saelindi kõrvale väike nurgik.
- Vabastage laua lukustushoob ja keerake nurga reguleerimisnuppu üles- või allapoole, kuni töölaud on lindi suhtes 90° nurga all (0° asendis). Pingutage laua lukustushooba.
- Keerake reguleerimispolti, kuni see on vastu saekorpust.
- Kontrollige, kas saelint on töölaua suhtes täisnurga all. Vajadusel reguleerige.
- Seadke skaala indikaator nulli ja keerake kruvi ristpeakruvikeerajaga kinni.

**MÆRKUS: enne tööle asumist tehke alati proovilõige ja veenduge, et saelint on täisnurga all.** Kui lint ei ole täisnurga all, võib osutada vajalikuks töölaua all olevad kruvid reguleerimiseks lahti keerata (nurgajuhiku soon peab olema saelindiga paralleelne). Kui saelint on täisnurga all, keerake kruvid kinni.

### SÆLINDI PINGSUSE REGULEERIMINE

Vaata joonist 10-11.

- Lülitage toode välja.
- Enne lintsa kasutuselevõttu keerake sae peal olevat lindi pingutusnuppu pingutamiseks pæripæeva.
- MÆRKUS: saelindi pingsust saab alati reguleerida.
- Pingutusnuppu keerates tõmmake saelindi tagaserva sõrmega nagu kitarikeelt.

Pinge kasvades muutub heli kõrgemaks. Saelehte ei tohi kunagi nii pinge alla seada, et vedru oleks täiesti kokku surutud. Täiesti kokkusurutud vedru ei suuda enam lõõgusmuttajana toimida.

Liigne pingutamine võib põhjustada saelehe murdumise. Paksemad detailid vajavad suuremat pingsust; kõigi lõigete jaoks ei ole maksimumpingsust vaja. Ebapiisav pingutamine võib põhjustada saelindi ratastelt

mahalibisemise.

### SÆLEHE LIIKUMISTRAJEKTOORI SEADMINE

Vaata joonist 11.

Enne liikumistrajektoori reguleerimist seadke lindi pingsus õigeks. Veenduge, et lindijuhikud saelinti ei takistaks. Saelindi hambapõhi (saeammaste põhjajoon) peab olema rehvi keskel.

#### Reguleerimiseks:

Tõmmake pistik pistikupesast välja. Avage esikatted, keerates katte lukustuskrui lahti. Kontrollige saelindi asendit ülemisel rattarehvil, keerates seda aeglaselt käsitsi pæripæeva. Kui saelint nihkub rehvi keskelt ära, tuleb trajektoori reguleerida.

#### Kui saelint on keskelt vasakule või paremale nihkunud:

- Keerake saelindi liikumistrajektoori reguleerimisnuppu (pæripæeva, kui lint on nihkunud vasakule; vastupæeva, kui lint on nihkunud paremale), pöörates ühtlasi ratast käega, kuni lint liigub tagasi rehvi keskele.
- Kontrollige saelehel positsiooni alumisel rehvil. Saeleht peab olema täielikult rehvil (saelehe hambapõhi keskel). Vastasel korral reguleerige saelindi liikumise trajektoori, kuni lint on mõlemal rehvil õigesti.
- Pöörake ülemist ratast käsitsi veel paar pöört pæripæeva. Kontrollige, et saelint jääks rehvidele samale kohale. Reguleerige vajadusel uuesti, kuni saelint jookseb õigesti.
- Sulgege esikatted ja keerake katte lukustuskrui kinni.
- Lülitage saag sisse
- Kontrollige, kas saelint on rehvi keskel (läbi liikumistrajektoori vaateakna). Kui saelint ei ole keskel, korrake eelkirjeldatud samme.

### ⚠ HOIATUS

Lindijuhikud on tehases seadistatud. Need seaded on mõnede rakenduste puhul funktsionaalsed. Enne sae kasutuselevõttu soovitage kontrollida ja reguleerida lindijuhikute seadistusi. Tutvuge käesoleva kasutusjuhendi osas "Reguleerimine" kirjeldatud saelindi juhiku toe ja tugilaagrite reguleerimise protseduuridega.

### PARALLEELTOE PAIGALDAMINE

- Asetage paralleeltugi töölaua vasakule poolele, nii et lukustuskæpide jääb ettepoole.
- Paralleeltoe lukustamiseks vajutage lukustuskæpide alla.





## Eesti (Originaaljuhendi tõlge)

- Klambrite pingsuse reguleerimiseks pöörake lukustuskäepidet.

### KASUTAMINE

#### ⚠ HOIATUS

Ärge lubage sellel, et tunnete seda toodet, muuta teid hooletuks. Pidage meeles, et hetkeline hooletus, võib olla piisav tõsise vigastuse tekitamiseks.

#### ⚠ HOIATUS

Kandke alati silmakaitsevahendeid. Selle eiramine võib tähendada, et võõrkehad võivad sattuda teile silma, mis võib põhjustada tõsise vigastuse.

#### ⚠ HOIATUS

Ärge kasutage mingeid lisaseadmeid või tarvikuid, mis ei ole tööriista tootja poolt soovitatud. Soovitamata lisaseadmete ja tarvikute kasutamine võib põhjustada tõsise kehavigastuse.

#### ⚠ HOIATUS

Saelindile vastupuutumise vältimiseks reguleerige lindijuhikusõlme, nii et see oleks peaaegu töödeldava detaili vastas. Muidu võib tulemuseks olla rasked kehavigastused.

#### ⚠ HOIATUS

Ärge kunagi kasutage saagi ilma kinnitatama saelindi katteta ja lukustamata esikateteta. Selline kasutus võib põhjustada tõsiseid kehavigastusi.

### LINTSAEGA TÖÖTAMISE PÕHITOIMINGUD

Lintsaag kujutab endast kõverate lõigete tegemiseks mõeldud seadet, mida saab kasutada ka otsesaagimiseks (näiteks ristlõigeteks, kaldlõigeteks, faaslõigeteks, liitlõigeteks ja jaotussaagimiseks). Otsesaagimisel võib lintsaega paralleeltoena kasutada pitskruidedega kinnitatud sobiva suurusega puutükki. Saega ei saa teha sisemisi ega mitteläbivaid lõikeid.

Enne saagima asumist jälgige sae töötamist. Tugeva vibratsiooni või ebataolise müra korral peatage saag viivitamatult. Lülitage saag välja ja tõmmake pistik pistikupesast välja. Saagi ei tohi taaskäivitada enne vea kindlakstegemist ja kõrvaldamist.

### SAAGIMINE

- Hoidke alati töödeldav detail kindlalt vastu lauda.
- Töödeldavat detaili ette sõotes lükake ettevaatlikult mõlema käega. Ärge lükake liiga tugevasti, vaid laske lindil lõigata.
- Väikseima lõigatava ringi läbimõõdu määrab saelindi laius. 6,35 mm laiune saelint lõikab minimaalselt 38 mm läbimõõtu.
- Hoidke käed lõikekettast eemal. Ärge hoidke käega nii väikeseid töödetaili, et teie sõrmed ulatuvad saelindi kaitse alla.
- Vältige ohtlikke toiminguid ja käte asendit, mille puhul äkiline libisemine võib põhjustada saelindiga kokkupuutel tõsise vigastuse. Ärge asetage käsi kunagi saelindi teele.
- Suuri, väikeseid või ohtlikke detaili saagides kasutage lisatugesid (laudu, saepukke, plokket jne).
- Töölauast pikemate või laiemate detailide lõikamisel ärge kasutage laualaienduse asemel või lisatoena teise isiku abi.
- Ebakorrapäraseid detaili saagides planeerige töö nii, et saelint kinni ei jääks. Näiteks piirdeliist peab saagimisel lebama töölaual lapiti. Detailid ei tohi saagimise ajal kaarduda, kõikuda ega libiseda.

Detaili tagasi tõmmates võib saelint lõikesoonde kinni jääda. Tavaliselt põhjustab seda soonde jääv saepuru või saelindi juhikutelt mahatulek. Kui see juhtub:

- Lülitage toode välja. Oodake kuni saag on täielikult peatunud. Ühendage toode vooluvõrgust lahti.
- Avage soon tavalise kruvikeeraja või puutükiluga.
- Avage esikate ja pöörake ülemist ratast käsitsi, samal ajal detaili tagasi tõmmates.

### ABILÕIKED

Keerukate kõverjoonte saagimisel, mille raadius on saelindi jaoks liiga väike, on vaja teha abilõiked. Tehke detaili äraivatavasse ossa sisselõige ja nihutage saelint ettevaatlikult tagurpidi välja. Enne keerukate kõverjoonte saagimist tuleb töö käigus teha mitu abilõiget, eemaldades saelindile rakenduva surve vähendamiseks vahetükid.

### KUJUSAAGIMINE

Tavaliste kõverjooneliste lõigete korral jälgige mustri jooni detaili lükates ja ühtlasi pöörates. Saagimise ajal ei tohi töödeldavat detaili ilma lükkamata pöörata, sest detail võib kinni jääda või saelint keerdu minna.

### KINNIKIILUNUD MATERJALI EEMALDAMINE

Ärge kunagi eemaldage kinnikiilunud mahalõigatud tükikesi enne, kui saelint on täielikult peatunud.

- Lülitage toode välja. Oodake kuni saag on täielikult peatunud.





## Eesti (Originaaljuhendi tõlge)

- Enne kinnikiilunud materjali eemaldamist ühendage toode vooluvõrgust lahti.

### VIGASTUSTE VÄLTIMINE

- Veenduge, et saag on tasakaalus ega kõigu. Saag peab asuma kindlal ja tasasel pinnal, kus on piisavalt ruumi detaili käitlemiseks ja korralikuks toetamiseks.
- Pikkade ja raskete laudade saagimisel libisemise või paigaltnihkumise vältimiseks kinnitatakse saag poltidega tugipinna külge.
- Enne sae liigutamist lülitage saag välja ja ühendage vooluvõrgust lahti.
- Ärge eemaldage kinnikiilunud mahalõigatud tükke enne, kui saelint on täielikult peatunud.
- Valige saelindi suurus ja tüüp vastavalt teostatava töö materjalile ja lõiketüübile.
- Veenduge, et saehambad on suunatud allapoole töölaua suunas, lindijuhikud, tugilaagrid ja lindi pingsus on õigesti reguleeritud, saelindi juhikunupp on kinni keeratud ja üks osa ei loksu.
- Kogemata saelindiga kokkupuutumise ja saelindi murdumisohtu vältimiseks ning selle maksimaalseks toetamiseks reguleerige saelindi juhikusõlm nii, et see oleks peaaegu vastu töödeldavat detaili.
- Kasutage ainult soovitatud tarvikuid.
- Enne sae sisselülitamist tuleb kõik peale töödeldava detaili ja vajalike tugiseadmete töölaual eemaldada.
- Ümmargust materjali (nt tüübliladid või torud) tuleb saagimise ajal veerema hakkamise ja saelindi "hammustamise" vältimiseks korralikult toetada. Selle vältimiseks kasutage V-plokki või kinnitage töödeldav detail pitskruididega nurgamõõdiku külge.
- Enne lahtiste tükide töölaual eemaldamist lülitage saag välja ja oodake, kuni kõik liikuvad osad on peatunud.

### TOOTE SISSE- JA VÄLJALÜLITAMINE

Vaata joonist 12.

- Toote sisselülitamiseks vajutage "I".
- Toote väljalülitamiseks vajutage "O".

### ENNE TOOTE JUUREST LAHKUMIST

Vaata joonist 12.

- Lülitage toode välja. Oodake kuni saag on täielikult peatunud.
- Ühendage toode vooluvõrgust lahti.
- Muutke tööruum lastele ligipääsmatuks.
- Saelindi eluea pikendamaks kasutage saelindi pinge alt vabastamiseks Rapidset™ saelindi pingutushooba.
- Lukustage tööruum.

### TÖÖKOHA VALGUSTI SISSE- JA VÄLJALÜLITAMINE

Vaata joonist 13.

- Töökoha valgusti sisselülitamiseks vajutage "☀".
- Töökoha valgusti väljalülitamiseks vajutage "O".

### TÖÖLAUA KALLUTAMINE

Vaata joonist 14.

- Keerake laua lukustusnupp veidi lahti.
- Keerake nurga reguleerimisnuppu ja kallutage töölauda, kuni see jääb soovitud nurga alla.
- Kontrollige skaala indikaatori abil nurgamärgistusi.
- Keerake töölaua lukustusnupp uuesti kinni, et laud kindlalt kohal püsiks.

### NURGAMÕÕDIKU KASUTAMINE

Vaata joonist 15 - 16.

Nurgamõõdikut saab maksimaalselt 60° võrra paremale või vasakule reguleerida.

- Vabastage nurgamõõdiku lukustusnupp.
- Kui nurgamõõdik on mõõdiku soones, pöörake mõõdik skaala järgi soovitud nurga alla.
- Keerake lukustusnupp uuesti kinni.

### PARALLEELTOE KASUTAMINE

Pikisaagimiseks kasutage alati paralleeltuge. Vaba käega ilma paralleeltoeta on pikisaagimine keelatud.

- Seadke paralleeltugi soovitud laiusse ja lukustage paigale.
- Enne pikisaagimist veenduge, et paralleeltugi on saelindiga paralleelselt. Pikkade laudade või suurte paneelide pikisaagimisel tuleb detaili alati toetada.
- Hoidke detaili vastu tuge ning andke ette sujuvalt ja ühtlaselt.

### REGULEERTOIMINGUD

#### ⚠ HOIATUS

Enne reguleerimist veenduge, et tööriist on vooluvõrgust lahti ühendatud ja lüliti asendis OFF (väljas). Selle nõude eiramine võib põhjustada tõsise kehavigastuse.

#### ⚠ HOIATUS

Kehavigastuste vältimiseks peavad saelindi pingsus, saelindi liikumistrajektor, lindijuhikud ja tugilaagrid olema õigesti reguleeritud.





## Eesti (Originaaljuhendi tõlge)

### SAELINDI PAIGALDAMINE JA REGULEERIMINE

Vaata joonist 17.

- Keerake liblikkruvi, seibid ja D-mutter töölaua küljest lahti.
- Avage esikatted, keerates katte lukustuskruvi lahti.
- Keerake lukustusnupu vastupäeva ja vabastage saelindi juhikusõlme. Paigaldage saelindi juhikusõlm lindijuhiku nuppu keerates (päripäeva keeramisel sõlm tõuseb ja vastupäeva keeramisel vajub) töölaua ja saekopruse vahel umbes keskele. Keerake lukustusnupp uuesti kinni.
- Avage lindikaitse, tõmmates ta vasakult poolt rattast eemale välja.
- Vabastage saelint pinge alt.
- Eemaldage ettevaatlikult vana saelint.
- Pange kindad kätte ja kerige uus lint käsivarre pikkuselt lahti. Kui uus lint on roostetamise vältimiseks õlitatud, tuleb see töödeldavate detailide määrdumise vältimiseks puhtaks pühkida. Lapi kinnijäämise vältimiseks pühkige ettevaatlikult hammaste suunas.

**MÄRKUS:** Kui hambad on vales suunas, tuleb lint teistpidi pöörata. Hoidke lindist mõlema käega kinni ja pöörake see sissepoole.

- Kui lindi hambad on suunatud saest vasakule ja allapoole, pange lint läbi alumiste lindijuhikute ja ümber mõlema ratta.
- Keerake ülemist ratast käsitsi aeglaselt paremale ehk päripäeva, nii et lint oleks kummist rehvide keskel.
- Pange RapidSet™ saelindi pingutushoob tagasi ja reguleerige lindi pingsust; kontrollige või reguleerige saelete liikumise trajektoori.
- Reguleerige nii ülemist kui alumist saelindi juhikut ja tugilaagrit käesolevas kasutusjuhendis allpool kirjeldatud viisil.
- Pange tagasi liblikkruvi, seibid ja D-mutter. Kinnitage tugevalt.
- Sulgege saetera kaitse ja esikaas. Keerake kaane lukustuskruid kinni.

### SAELINDI JUHKUSÕLME REGULEERIMINE

Vaata joonist 18 - 19.

Saelindi keerdumineku või murdumise vältimiseks seatakse saelindi juhikusõlm alati umbes 3,2 mm töödeldavast detailist kõrgemale.

- Keerake lukustusnupu vastupäeva ja vabastage saelindi juhikusõlme.
- Saelindi juhikusõlme kõrguse seadmiseks kasutage samasugust puutükki nagu saagima hakatakse. Reguleerige juhikusõlme lindijuhiku nuppu keerates.
- Lukustage saelindi juhikusõlm paigale, keerates lukustusnupu päripäeva.

- Enne lintsaie sisselülitamist tuleb lindijuhikusõlm alati paigale lukustada.

### SAELINDI JUHKUTOE JA TUGILAAGRITE REGULEERIMINE

Vaata joonist 20 - 21.

**MÄRKUS:** Enne reguleerimist keerake lukustusnupp kinni ja toimige käesoleva kasutusjuhendi KOKKUPANEKU osas kirjeldatud saelindi pingsuse ja saelindi liikumistrajektoori reguleerimise protseduuride kohaselt.

Ülemine ja alumine tugilaager toetavad ning laager juhib saelinti saagimise ajal. Teise saelindi paigaldamisel tuleb kontrollida laagrite ja juhikute seadistust.

#### Tugilaagrite reguleerimiseks:

Tugilaagrid toetavad saelindi tagaserva saagimisel. Saelint ei tohi saagimise peatamisel vastu tugilaagreid puutuda. On oluline, et nii ülemine kui alumine tugilaager oleks võrdset reguleeritud.

- Avage esikatted ja saelindi kaitse.
- Keerake ülemise ja alumise tugilaagri kruvid kuuskantvõtmega lahti ja lükake tugilaagreid sael tahapoole.
- Kontrollige, kas saelint jookseb õigesti ja lükake tugilaagrit ettepoole, kuni see on saelindist 0,4 mm kaugusel. Keerake tugilaagri kruvi tugevasti kinni.
- Lükake alumist laagrit ettepoole, kuni vahe on õige. Keerake tugilaagri kruvi tugevasti kinni.

#### Saelindi juhiku toe reguleerimiseks:

- Keerake lindijuhiku tugi ja lindijuhiku seadekruvid kuuskantvõtmega lahti.
- Lükake ülemist lindijuhiku tuge võllil, kuni juhikute esiserv puudutab hambapõhja taga saelete Keerake kruvi tugevasti kinni.
- Lükake parempoolne juhik vastu saelinti ja laske lahti. Keerake ratast aeglaselt täispöörde võrra. Keerake lindijuhiku seadekruvid kinni.
- Reguleerige vasakpoolset juhikut nii, et saelindi ja juhiku vahele jääks 0,4 mm (umbes mängukaardi paksus), pannes vasakpoolse juhiku ja saelindi vahele mängukaardi.
- Et mängukaart püsiks paigal, suruge vasakpoolse juhiku tihtvile. Keerake kruvi kinni ja võtke mängukaart ära.
- Veendumaks, et saelint kinni ei jää, keerake seda käega kolm täispöört.
- Sulgege saetera kaitse ja esikaas. Lukustage kruviga. Korra seda protseduuri alumise lindijuhiku toega.



## Eesti (Originaaljuhendi tõlge)

### PARALLEELTOE REGULEERIMINE

- Keerake lukustuskäepide vastupäeva lahti.
- Nihutage paralleeltugi soovitud asendisse.
- Paralleeltoe lukustamiseks vajutage lukustuskäepide alla.
- Klambrate pingsuse reguleerimiseks pöörake lukustuskäepidet.

### HOOLDUS

#### ⚠ HOIATUS

Kasutage teenindamisel ainult täpselt sobivaid varuosi. Muude osade kasutamine võib tekitada ohuolukorra ja põhjustada seadme vigastumise.

#### ⚠ HOIATUS

Kandke töö ajal alati silmakaitset. Kui töötlemine on tolmune, siis kandke tolmumaski.

#### ⚠ HOIATUS

Enne hooldamist kontrollige, et tööriist on vooluvõrgust lahti ühendatud ja lüliti asendis OFF (väljas). Selle nõude eiramine võib põhjustada tõsise kehavigastuse.

### ÜLDINE HOOLDUS

Vältige plastosade puhastamisel lahustite kasutamist. Enamik plaste on tundlikud erinevate kaubandusvõrgust saadaolevate lahustite suhtes ja võivad nende mõjul oma omadusi kaotada. Mustusest, tolmust, õlist, määrdest jne puhastamiseks kasutage puhast riidelappi.

#### ⚠ HOIATUS

Ärge laske plastosadel mitte mingil juhul sattuda kokkupuutesse auto pidurivedeliku, bensiini, bensiinipõhiste toodete, immutusõlidega või muude samalaadsete vedelikega. Kemikaalid võivad kahjustada, nõrgendada või hävitada plastiku, mis võib omakorda põhjustada vigastusi kasutajale.

- Hoidke toode puhtana.
- Eemaldage toote sees olevat saepuru tihti.
- Ärge laske vaigul koguneda tööalale, saelehe juhikutele ega tugilaagritele. Puhastage neid kummi ja vaigu eemaldamise vahendiga.
- Et puit saagimise ajal paremini libiseks, võib kanda tööalale õhukese kihi autovaha.

### Määrimine

Kõik selle tööriista laagrid on tehases täidetud piisava hulga kvaliteetse määrdega, mis tagab tavatingimustes nende töövoime kogu kasutusea jooksul. Seetõttu ei ole täiendav määrimine vajalik.

### REHVID

#### Rehvide puhastamine:

- Rehvidele kogunenud vaik ja saepuru on vaja eemaldada peenikese terasharjaga või puutükiga. **Ärge kasutage teravat nuga ega mitte mingit lahustit.**

#### Rehvide vahetamine:

- Avage esikate ja eemaldage saelint. Vaadake osa "Saelindi paigaldamine ja reguleerimine".
- Kangutage hoolikalt kulunud rehvi rattalt maha.
- Venitage uus rehvi ümber ratta.
- Pange saelint tagasi ja sulgege esikate.

### HARI

Vaata joonist 22.

Sae korpuses ratta kõrval on hari. See pühib saepuru ära ning aitab niivisi rehvi ja ratast kaitsta. Kui hari ära kulub, tuleb seda reguleerida või välja vahetada.

- Eemaldage kruvi ja seib ning tõmmake hari ära.
- Pange soonde uus hari.
- Kinnitage seibi ja kruviga.

### TRANSPORTIMINE JA HOIUSTAMINE

Vaata joonist 23 - 24.

- Toote transportimiseks ühendage toitejuhe lahti, laske saelint alla ja monteerige toode lahti. Pange töökevarras hoiule ülemise korpuse küljele. Tõstke toodet ülemisest korpusest, nagu on näidatud joonisel. Hoidke seadet kaitstud kohas, mis on lastele juurdepääsmatu.
- Enne hoiustamist puhastage seade harja või tolmumeijaga.

### KESKKONNAKAITSE



Taaskasutage materjale nende jäätmekäitluse andmise asemel. Masin, selle lisaseadmed ja pakend tuleb jäätmekäitluseks keskkonnasõbralikult sorteerida.

## Eesti (Originaaljuhendi tõlge)

### SÜMBOL



Ohuhoiatus



CE-vastavus



Lugege enne masina kasutamist juhised hoolikalt läbi.



Kandke silmade kaitsevahendeid



Kandke kuulmise kaitsevahendeid



OHT! Terav lõikeketas.



Lukk



Lahtikeeramine



Maksimaalne lõikesügavus



Maksimaalne lõikelaius



Maksimaalne lõikenurk



Töökiirus



Lõiketera suurus



Enne hooldustöid peab tööriista toitevõrgust välja lülitama.



Mittekasutatavaid elektritooteid ei tohi visata olmejäätmete hulka. Vaid tuleb viia vastavasse kogumispunkti. Vajadusel küsige sellekohast nõu oma edasimüüjalt või vastavalt kohaliku omavalitsuse institutsioonilt.



## Eesti (Originaaljuhendi tõlge)

### VEAOTSING

Ilming	Võimalik põhjus	Lahendus
Mootor ei tööta	<ol style="list-style-type: none"> <li>1. Probleem ON/OFF-lülitiga või toitejuhtmega.</li> <li>2. Mootori rike.</li> <li>3. Saelint jääb kinni.</li> </ol>	<ol style="list-style-type: none"> <li>1. Asendage kulunud osad, enne kui hakkate toodet uuesti kasutama.</li> <li>2. Ärge hakake ise parandama. Laske oma tööriist parandada pädeval töötajal.</li> <li>3. Eemaldage kinnikiilunud materjal.</li> </ol>
Saelint ei jookse ülemise ratta keskkohas.	<ol style="list-style-type: none"> <li>1. Saelehe liikumistrajektoor on vale.</li> </ol>	<ol style="list-style-type: none"> <li>1. Reguleerige saelindi liikumistrajektoori, vaadake SEADISTUSTE osas lõiku "Saelindi liikumistrajektoori reguleerimine".</li> <li>2. Laske vigastatud osad pädeval teenindajal viivitamatult vahetada.</li> </ol>
Lintsaag jääb saagimise ajal aeglasemaks.	<ol style="list-style-type: none"> <li>1. Liiga väikese raadiuse lõikamine.</li> <li>2. Nüri saelint.</li> </ol>	<ol style="list-style-type: none"> <li>1. Lõpetage etteandmine ja tõmmake saetavat materjali veidi tagasi, et saag saaks jälle kiiruse üles võtta.</li> <li>2. Vahetage saelint välja.</li> </ol>
Lint puruneb.	<ol style="list-style-type: none"> <li>1. Saelindi pinge on liiga suur.</li> <li>2. Lint läheb liiga väikese raadiuse saagimisel või saagimise ajal materjali liiga kiiresti pööramise tõttu keerdu.</li> <li>3. Tugilaagrid on kriimustunud või ei käi ringi.</li> </ol>	<ol style="list-style-type: none"> <li>1. Reguleerige pinget. Vaadake SEADISTUSTE osas lõiku "Lindi pingsuse reguleerimine".</li> <li>2. Kasutage õiget lõiketehnikat. Vaadake osa "Kasutamine".</li> <li>3. Vahetage tugilaagrid välja.</li> </ol>
toode teeb töötades müra.	<ol style="list-style-type: none"> <li>1. Saelindi pinge on liiga suur.</li> <li>2. Saelindi juhikud ja laagrid puutuvad saelindiga kokku.</li> </ol>	<ol style="list-style-type: none"> <li>1. Reguleerige pinget. Vaadake SEADISTUSTE osas lõiku "Lindi pingsuse reguleerimine".</li> <li>2. Reguleerige ülemisi ja alumisi saelindi juhikuid ning laagreid. Vaadake SEADISTUSTE osas lõiku "Tugilaagrite ja saelindi juhiku toe reguleerimine".</li> </ol>
Saelint ei lõika otse.	<ol style="list-style-type: none"> <li>1. Saelint ja laagrid ei ole korralikult reguleeritud.</li> <li>2. Kulunud või vigane saelint.</li> </ol>	<ol style="list-style-type: none"> <li>1. Reguleerige ülemisi ja alumisi saelindi juhikuid ning laagreid. Vaadake SEADISTUSTE osas lõiku "Tugilaagrite ja saelindi juhiku toe reguleerimine".</li> <li>2. Vahetage saelint välja.</li> </ol>
Saelindi juhikud ei püsi paigal.	<ol style="list-style-type: none"> <li>1. Saelindi kruvid on lahti tulnud.</li> </ol>	<ol style="list-style-type: none"> <li>1. Keerake saelindi juhiku kruvid tugevasti kinni.</li> </ol>
Mootor töötab, kuid saelint ei pöörle	<ol style="list-style-type: none"> <li>1. Pinge ei ole õige.</li> <li>2. Ajamirihm on katki.</li> </ol>	<ol style="list-style-type: none"> <li>1. Pinge reguleerimiseks kasutage saelindi pingutushooba.</li> <li>2. Laske vigastatud osad pädeval teenindajal viivitamatult vahetada.</li> </ol>







## Hrvatski (Prijevod izvornih uputa)

### OPIS

- |  |   |
|--|---|
| 1. Gumb za podešavanje napetosti lista pile      | 53. Brava   |
| 2. Vijak za fiksiranje poklopca                  | 54. Aksijalni ležaj                                 |
| 3. Kontrolni prozorčić                           | 55. Vijak aksijalnog ležaja                         |
| 4. Radno svjetlo                                 | 56. Vijak nosača vodilice lista pile                |
| 5. Štitnik rezne ploče                           | 57. Gornji nosač vodilice lista pile                |
| 6. List pile                                     | 58. Vodilica lista pile                             |
| 7. Mjerilo nagiba                                | 59. Zatični vijak za fiksiranje vodilice lista pile |
| 8. Otvor za ispušt piljevine                     | 60. Vijak vodilice lista pile                       |
| 9. Pokazivač mjerne skale                        | 61. Donji nosač vodilice lista pile                 |
| 10. Gumb za podešavanje kuta                     | 62. Četka   |
| 11. Ljestvica                                    | 63. Podloška  |
| 12. Poluga za blokiranje stola                   | 64. Vijci   |
| 13. Gumb za blokiranje                           | 65. Guma  |
| 14. Gumb za podešavanje vodilice lista pile      |   |
| 15. Poluga za napinjanje lista pile              |   |
| 16. Pločica s grlom za rezanje                   |   |
| 17. Gumb za poravnavanje trake                   |   |
| 18. Sklopka za Uklj./isklj. (ON/OFF)             |   |
| 19. Stol pile                                    |   |
| 20. Prednja donja ploča                          |   |
| 21. Prednja gornja ploča                         |   |
| 22. Graničnik                                    |   |
| 23. Prekidač radnog svjetla                      |   |
| 24. Dio za guranje radnog komada                 |   |
| 25. Odvijač s "phillips" glavom (nije uključeno) |   |
| 26. Ključ za podešavanje (nije uključeno)        |   |
| 27. Mali kombinacijski kutnik (nije uključeno)   |   |
| 28. Ključ sa šesterokutnom glavom , 3 mm         |   |
| 29. Ključ sa šesterokutnom glavom , 4 mm         |   |
| 30. Ključ sa šesterokutnom glavom , 5 mm         |   |
| 31. Podloška                                     |   |
| 32. Slijepe matice                               |   |
| 33. Podložne pločice                             |   |
| 34. Stopice postolja                             |   |
| 35. Vijci za fiksiranje                          |   |
| 36. Šesterokutna matica                          |   |
| 37. Nosač proširenja stola                       |   |
| 38. Provrti u postolju                           |   |
| 39. Spojna matica (D-matica)                     |   |
| 40. Leptir vijak                                 |   |
| 41. Konzola stola pile s mjernom skalom          |   |
| 42. Sklop vodilice lista pile                    |   |
| 43. Vijak za podešavanje                         |   |
| 44. Za smanjivanje napetosti                     |   |
| 45. Za povećavanje napetosti                     |   |
| 46. Gumb za blokiranje                           |   |
| 47. Utor za mjerilo nagiba                       |   |
| 48. Phillips vijci                               |   |
| 49. Gornje kolo                                  |   |
| 50. Donje vodilice lista pile                    |   |
| 51. Donje kolo                                   |   |
| 52. Otključavanje                                |   |





## Hrvatski (Prijevod izvornih uputa)

U dizajnu vaše tračne pile vodeću ulogu imaju sigurnost, performanse i pouzdanost.

### NAMJENA

Tračna pila je namijenjena rezanju ravnih linija, krivina i krugova u drvu i drvenim proizvodima.

Proizvod smiju upotrebljavati samo punoljetne osobe koje su pročitale upute za korištenje i razumjele moguće rizike i opasnosti.

Pila se koristi u suhim uvjetima, uz izvrsno osvjetljenje okoline i odgovarajuću ventilaciju.

Proizvod je namijenjen za korištenje i treba se koristiti samo kao što je gore opisano i nije namijenjeno za bilo koju drugu svrhu.

### OPĆA SIGURNOSNA PRAVILA

#### UPOZORENJE

Kako biste smanjili opasnost od požara, strujnog udara i osobnih ozljeda prilikom korištenja električnih alata, uvijek se valja pridržavati osnovnih mjera opreza. Prije pokušaja korištenja ovog uređaja pročitajte i spremite sve upute.

- **Održavajte radno područje čistim.** Zatrpana radna područja i stolovi dovode do ozljeda.
- **Uzmite u obzir radno okruženje.** Alat nemojte izlagati kiši. Nemojte koristiti alate u vlažnim ili mokrim mjestima. Držite radni prostor dobro osvijetljen. Nemojte koristiti alate u prisutnosti zapaljivih tekućina ili plinova.
- **Zaštitite se od strujnog udara.** Izbjegavajte kontakt tijela s uzemljenim površinama (poput cijevi, radijatora, štednjaka i hladnjaka).
- **Držite podalje ostale osobe.** Nemojte dopustiti osobama, posebice djeci, da se uključe u rad, dodiruju alat ili produžni kabel, te ih držite dalje od područja rada.
- **Skladištite prazne alate.** Kada se ne koristi, alat treba skladištiti na suhom i zaključanom mjestu izvan dosega djece.
- **Nemojte alat koristiti iznad njegovih mogućnosti.** Uređaj će bolje i sigurnije raditi na brzini za koju je konstruiran.
- **Koristite pravi alat.** Nemojte forsirati male alate da rade poslove teških alata za rad. Nemojte koristiti alate za svrhe za koje nisu namijenjeni, primjerice, nemojte koristiti cirkularnu pilu za rezanje grana balvana ili trupaca.
- **Pravilno se odjenite.** Nemojte nositi široku odjeću

ili nakit; mogu biti zahvaćeni pokretnim dijelovima. Preporuča se da prilikom rada na otvorenom nosite obuću sa zaštitom od klizanja. Nosite i zaštitu za kosu kako biste pokrili dugu kosu.

- **Koristite zaštitnu opremu.** Koristite zaštitne naočale. Ako rad stvara prašinu koristite zaštitnu masku za lice.
- **Priključite sustav za izbacivanje prašine.** Ako su alati opremljeni s priključkom aparata za odvajanje i prikupljanje prašine, osigurajte da su oni priključeni i pravilno korišteni.
- **Nemojte zlorabiti kabel.** Nikada ne povlačite kabel za isključivanje iz utičnice. Držite kabel podalje od topline, ulja i oštih rubova.
- **Siguran rad.** Kad je moguće, koristite spojnice ili škrip za držanje izratka. Sigurnije je nego korištenje vaše ruke.
- **Nemojte se naginjati preko rubova.** Cijelo vrijeme držite pravilno uporište i ravnotežu.
- **Pažljivo održavajte alat.** Držite alat za rezanje naoštrenim i čistim radi boljeg i sigurnijeg rada. Slijedite upute za podmazivanje i promjenu dodatnog pribora. Povremeno provjerite kabele alata i ako su oštećeni neka ih popravi ovlaštenu servisnu centar. Povremeno provjerite i zamijenite produžne kabele ako su oštećeni. Održavajte ručke suhim, čistim i da na njima nema ulja i masti.
- **Isključite alate.** Kada nije u upotrebi, prije servisiranja ili kada mijenjate priključke poput oštrica, svrdla i rezača, isključite alate iz napajanja.
- **Uklonite ključeve za ugađanje i ključeve.** Zbog navike provjeravanja pogledajte da li su ključevi i ključevi za ugađanje uklonjeni s alata prije nego što ga uključite.
- **Izbjegavajte slučajno pokretanje.** Provjerite je li prekidač u položaju "off" (isključeno) prilikom uključivanja.
- **Koristite produžne kabele za korištenje na otvorenom.** Prilikom korištenja alata na otvorenom, rabite samo produžne kabele koji su namijenjeni za korištenje na otvorenom i tako su označeni.
- **Budite na oprezu.** Gledajte to što radite, pri radu s električnim alatom koristite zdrav razum i ne radite s alatom kad ste umorni.
- **Zamijenite oštećene dijelove.** Prije daljnjeg korištenja alata treba se pažljivo provjeriti da se odredi da li će pravilno raditi i izvoditi njihovu namjensku funkciju. Provjerite spojeve pokretnih dijelova, povezanost pokretnih dijelova, puknuća dijelova, montiranost i bilo koje druge uvjete koji mogu utjecati na njihov rad. Štitnik ili drugi dio koji je oštećen treba pravilno popraviti ili zamijeniti od strane ovlaštenog servisnog centra osim ako drugačije nije naznačeno u ovim uputama za rukovanje. Sklopku u kvaru zamijenite u





## Hrvatski (Prijevod izvornih uputa)

ovlaštenom servisnom centru. Nemojte koristiti alat ako ga sklopka pravilno ne uključuje i isključuje.

- **Upozorenje.** Korištenje bilo kakvog dodatnog pribora ili priključka osim preporučenih u ovim uputama za upotrebu može dovesti do opasnosti od osobnih ozljeda.
- **Neka vaš alat servisira kvalificirana osoba.** Ovaj električni alat u skladu je s relevantnim pravilima o sigurnosti. Opravke treba izvoditi samo ovlašteni serviser korištenjem originalnih rezervnih dijelova, u suprotnom ovo može rezultirati zabrinjavajućom opasnošću po korisnika.

### SIGURNOSNA UPOZORENJA ZA TRAČNU PILU

- **Vijcima ili stegom pričvrstite pilu za radni stol ili za stalak otprilike na visini kukova.**
- **Nikada nemojte pokušati raditi proizvodom koji stoji na podu.**
- **Izbjegavajte nespretne radnje i položaje ruku gdje iznenadno klizanje može uzrokovati da se vaše ruke pomaknu na oštricu.** Uvijek osigurajte da imate dobru ravnotežu.
- **Kako biste izbjegli zapinjanje lista pile, prije početka rezanja pustite da motor postigne punu brzinu.**
- **Nemojte koristiti alat ako se sklopka ne prebacuje u položaj uključeno i isključeno.** Sklopku u kvaru zamijenite u ovlaštenom servisnom centru.
- **Zamjena dijelova.** Sve električne ili mehaničke popravke na uređaju mora izvršiti kvalificirani servisni tehničar u ovlaštenom servisnom centru.
- **Prilikom servisiranja koristite samo identične zamjenske dijelove.** Korištenje nekih drugih dijelova može dovesti do opasnosti ili uzrokovati oštećenje alat.
- **Držite ručke podalje od područja rezanja.** Nemojte raditi na radnim komadima koji su toliko mali da vam prsti prolaze ispod štitnika lista pile. Ne posežite ispod izratka ili na rezni put oštrice s rukama i prstima iz bilo kojeg razloga.
- **Nikada nemojte istovremeno rezati više od jednog komada ili naslagivati komade jednog na drugi na radnom stolu.**
- **Nemojte prebrzo ulagati materijal.** Nemojte silom gurati radni komad na list pile.
- **Koristite samo točne oštrice.** Koristite pilu ispravne veličine i vrste za materijal i vrstu reza koji želite raditi. Zubi pile moraju biti okrenuti nadolje, prema stolu.
- **Kako biste rizik od zaglavlivanja lista pile i povratnog udara sveli na na najmanju moguću mjeru, prilikom rezanja uvijek poduprite velike radne komade na odgovarajući način.** Prilikom

rezanja velikih ili teških dasaka pila može skliznuti, bočno proklizati ili skakutati.

- **Nemojte pokušavati ukloniti zaglavljene izreske ili radne komade prije nego što se list pile potpuno zaustavi.**
- **Nemojte koristiti oštećene ili deformirane listove pile.**
- **Zamijenite umetnutu tablu kad se ugrije.**
- **Prilikom piljenja drveta priključite pilu na uređaj za prikupljanje prašine.**
- **Nemojte raditi strojem s otvorenim štitnikom lista pile.**
- **List pile i brzinu rezanja odaberite ovisno o materijalu koji želite rezati.**
- **Nemojte čistiti list pile dok se on još kreće.**
- **Prilikom rukovanja listom pile ili oštrim i grubim materijalima koristite zaštitne rukavice.**
- **Prilikom rezanja malih radnih komada pomoću graničnika koristite isporučeni štap za guranje radnog komada.**
- **Proizvod prenosite s potpuno spuštenim štitnikom lista pile blizu stola.**
- **Kada radite kose rezove s nagnutim stolom, graničnik postavite na nižu stranu stola.**
- **Kako biste izbjegli izvijanje radnog komada, prilikom rezanja okruglih ili nepravilnih komada drva, koristite odgovarajući uređaj za držanje i pričvršćivanje.**
- **Štitnici se ne smiju koristiti za nošenje stroja prilikom premještanja ili transporta proizvoda.**
- **Podesivi štitnik podesite što je moguće bliže radnom komadu, koliko je to praktično za rad.**
- **Nikada ne dodirujte rezu ploču ili bilo koji drugi pokretni dio tijekom uporabe.**
- **Prije izmjene postavki i uklanjanja poklopaca, štitnika ili lista pile, isključite sustav s izvora napajanja.**
- **Radni komad uvijek držite čvrsto pritisnutog na stol.**
- **Kako biste izbjegli slučajni kontakt s oštricom, smanjili mogućnost pucanja lista pile i omogućili dobro držanje lista pile.** Uvijek podesite sklop vodilica lista pile u neposrednu blizinu radnog komada.
- **Održavajte oštrice čistim, oštrim i s dovoljno kompleta.** Oštra oštrica minimalizira zaglavlivanje i povratni udar.
- **Kako biste izbjegli slučajno pokretanje prilikom ponovnog priključivanja na izvor napajanja, prije iskapčanja pile uvijek je isključite.**
- **Prije izvođenja bilo kakvog rada s pilom osigurajte da radno područje ima dovoljno svjetla da vidite**



## Hrvatski (Prijevod izvornih uputa)

raditi i da nikakve prepreke neće ometati siguran rad.

- **Vodilice lista pile su postavljene tvornički.** Ove su postavke primjenjive u nekim radnim postupcima. Preporučujemo vam da prije prvog korištenja vaše pile pregledate i podesite vodilice lista pile. Pogledajte opis postavki u odjeljku "Podešavanje aksijalnih ležajeva i nosača vodilice lista pile" u poglavlju PODEŠAVANJA ovog korisničkog priručnika.
- **Nemojte koristiti ovaj alat za rezanje metala.**
- **Ovaj alat treba imati sljedeće oznake:**
  - Nosite zaštitu za vid
  - Držite ruke dalje od rezne ploče.
  - Nemojte pokušavati ukloniti zaglavljene radne komade ili izreske prije nego što se list pile potpuno zaustavi.
  - Provjerite je li list pile montiran tako da su zubi pile usmjereni prema dolje.
  - Održavajte pravilnu napetost lista pile i pravilne postavke vodilica lista pile i aksijalnih ležajeva.
  - Postavite gornju vodilicu trake tik do radnog komada.
  - Radni komad tijekom rezanja uvijek držite čvrsto pritisnutog na stol.
- **Ako je kabel za napajanje oštećen, mora ga zamijeniti samo proizvođač ili ovališteni servisni centar kako bi se izbjegla opasnost.**
- **Sačuvajte ove upute.** Često ih pogledajte i koristite ih da obučite druge korisnike. Ako nekome posudite ovaj alat, posudite mu isto tako i ove upute.

### PODACI O ELEKTRICI

#### PRODUŽNI KABELI

Koristite samo 3-žine produžne kabele koji imaju 3 šiljka na utikaču uzemljenja i 3 priključka koji prihvaćaju utikač uređaja. Kada koristite električni alat na priličnoj udaljenosti od izvora napajanja, koristite dovoljno veliki produžni kabel koji može podnijeti struju koju alat izvlači. Premali produžni kabel izaziva pad napona u vodu, rezultirajući gubitkom snage i dovodeći do pregrijavanja motora.

Prije korištenja produžnog naponskog kabela provjerite ima li kabel olabavljenih ili izloženih žica ili istrošenu izolaciju.

#### ⚠ UPOZORENJE

Držite produžni kabel izvan radnog područja. Postavite kabel tako da ne bude prignječen na kladi, alatima ili nekim drugim preprekama dok radite s električnim alatom. Nepoštivanje ovog pravila može rezultirati teškim tjelesnim ozljedama.

#### ⚠ UPOZORENJE

Prije svake uporabe provjerite produžne kabele. Ako su oštećeni odmah ih zamijenite. Nikada nemojte koristiti alat s oštećenim kabelom budući da dodirivanje oštećenog područja može izazvati strujni udar dovodeći do ozbiljnih ozljeda.

#### ELEKTRIČNI PRIKLJUČAK

Ovaj uređaj pogonjen je ugrađenim preciznim električnim motorom. Treba biti priključen na napajanje koje je od 220~240V, samo AC (uobičajena struja u kućanstvu), 50 Hz. Ne radite s ovim uređajem na istosmjernoj struji (DC). Značajni pad napona uzrokuje gubitak snage i pregrijavanje motora. Ako uređaj ne radi kad je uključen u utičnicu, provjerite napajanje.

#### BRZINA I OŽIČENJE

Brzina bez opterećenja ovog alata je približno 11 m/s. Ova brzina nije konstantna i smanjuje se pod opterećenjem ili uz smanjenje napona. Za napon su jednako bitni i ožičenje u radionici i nazivna ulazna snaga motora. Vod namijenjen samo za rasvjetu ne može pravilno nositi motor električnog alata. Žica koja je dovoljno teška za kratku udaljenost bit će prelagana za veće udaljenosti. Vod koji podržava jedan električni alat možda ne bude u mogućnosti podržati dva ili tri alata.

#### UPUTE ZA UZEMLJENJE

Ovaj uređaj mora biti uzemljen. U slučaju kvara ili pada napona uzemljenje omogućuje put zadnjeg otpora električne struje radi smanjenja opasnosti od strujnog udara. Ovaj proizvod opremljen je s električnim kabelom koji ima opremu za uzemljenje i utikač za uzemljenje. Utikač mora biti umetnut u odgovarajuću utičnicu koja je pravilno instalirana i uzemljena u skladu s lokalnim propisima i uredbama.

Nemojte modifi cirati isporučeni utikač. Ako ne odgovara utičnica, neka pravilnu utičnicu instalira kvalifi cirani električar. Odmah popravite ili zamijenite oštećeni ili istrošeni kabel.

#### PREOSTALE OPASNOSTI

Čak i kad je proizvod korišten kao što je prethodno opisano, još uvijek nije moguće potpuno isključiti ostale

## Hrvatski (Prijevod izvornih uputa)

čimbenike opasnosti. Može doći do sljedećih opasnosti prilikom korištenja i operater mora obratiti posebnu pozornost kako bi izbjegao sljedeće:

- Povratni udar izratka i dijelova izratka zbog nepravilnog podešavanja ili rukovanja.

- Oštećenja na respiratornom sustavu.

**NAPOMENA:** Nosite respiratorne maske koje sadrže odgovarajuće filtere za materijale s kojima se radi Osigurajte odgovarajuću ventilaciju radnog mjesta. Nemojte jesti, piti ili pušiti u radom području.

- Oštećenja na sluhu ako se ne nosi učinkovita zaštita za sluh.

### UPOZNAJTE SVOJ PROIZVOD

Pogledajte sliku 1.

Sigurno korištenje ovog proizvoda zahtjeva razumijevanje informacija na proizvodu i u ovim uputama za uporabu kao i poznavanje posla koji namjeravate obaviti. Prije korištenja ovog uređaja upoznajte se sa svim radnim svojstvima i sigurnosnim zahtjevima.

### GUMB ZA PODEŠAVANJE KUTA

Za koso rezanje nagnite radni stol pile.

### ŠTITNIK REZNE PLOČE

To štiti rukovatelja od doticaja s oštricom.

### GUMB ZA PODEŠAVANJE VODILICE LISTA PILE

Za podešavanje visine sklopa vodilice lista pile, te kako biste spriječili uvijanje ili pucanje lista pile, koristite gumb za podešavanje vodilice lista pile. Prije uključivanja tračne pile uvijek prvo fiksirajte sklop vodilice lista pile.

### VODILICE LISTA PILE

Sklop gornje i donje vodilice lista pile sprečava uvijanje lista pile tijekom rezanja.

### OTVOR ZA ISPUST PILJEVINE

Otvor za prašinu promjera 53 mm (2-1/8") omogućava rezanje bez prašine. Pričvrstite vrećicu za prašinu (nije uključena) ili usisavač na ispušni otvor za prašinu.

### VIJAK ZA FIKSIRANJE POKLOPCA

Omogućava otvaranje prednjeg poklopca za izvođenje podešavanja na stroju.

### MJERILO NAGIBA

Ovaj mjerač služi za poravnavanje drva za križni rez. Jednostavan i jasan indikator pokazuje točan kut kosog reza pri 15°, 30°, 45° i 60°.

### POLUGA ZA NAPINJANJE LISTA PILE RAPIDSET™

Prilikom mijenjanja lista pile ili podešavanja za različite vrste rezanja provjeravajte napetost lista pile.

### LIST PILE

Tračna pila se isporučuje sa standardnim listom pile širine 6,35 mm (1/4").

### STOL PILE S PLOČICOM S GRLOM ZA REZANJE

Vaša tračna pila ima stol pile s podesivim nagibom. Pločica s grlom za rezanje (tvornički ugrađena na stol) omogućava dovoljan zazor za oštricu pile.

### MJERNA SKALA I POKAZIVAČ MJERNE SKALE

Mjerna skala i pokazivač pokazuju kut nagiba stola za koso rezanje.

### POLUGA ZA BLOKIRANJE STOLA

Kako biste mogli nagnuti stol u neki drugi položaj morate prvo otpustiti polugu blokade stola. Zatezanjem poluge za blokadu stola fiksirate stol u tom položaju.

### GUMB ZA PORAVNAVANJE TRAKE

Podešavanje vođenja lista pile (trake pile) za centriranje trake na gornjem i donjem kolu.

### KONTROLNI PROZORČIĆ

Kontrolni prozorčić olakšava centriranje lista pile.

### DIO ZA GURANJE RADNOG KOMADA

Za ulaganje radnog komada uvijek koristite štap za guranje.

### POPIS RASTAVLJIVIH DIJELOVA

Opis	Kol.
Podložne pločice	7
Poluga za blokiranje stola	1
Ključ sa šesterokutnom glavom , 3 mm	1
Ključ sa šesterokutnom glavom , 4 mm	1
Ključ sa šesterokutnom glavom , 5 mm	1
Mjerno nagiba	1
Zvonaste matice	4
Stopice postolja	4
Stol pile	1
Vijci za fiksiranje	2

## Hrvatski (Prijevod izvornih uputa)

Šesterokutna matica	2
Nosač za produljenje	1
Graničnik	1
Dio za guranje radnog komada	1
Korisnički priručnik	1

### SASTAVLJANJE

#### RASPAKIRAVANJE

Ovaj proizvod potrebno je sastaviti prije upotrebe.

- Pažljivo izvadite proizvod iz kartonske ambalaže i položite ga na ravnu radnu površinu.

#### ▲ UPOZORENJE

Nemojte koristiti ovaj proizvod ako je bilo koji dio s Popisa rastavljenih dijelova isporučen prethodno sastavljen. Dijelove na ovoj listi ne sklapa proizvođač - njih mora sastaviti kupac. Korištenje nepravilno sastavljenog proizvoda može dovesti do ozbiljnih tjelesnih ozljeda.

- Pažljivo pregledajte alat kako biste se uvjerali u to da tijekom transporta i isporuke nije došlo do loma ili oštećenja proizvoda. **NAPOMENA:** Ova tračna pila isporučuje se opuštenim listom pile. Nemojte uključivati ovu pilu sve dok ne postavite ispravnu napetost lista pile.
- Nemojte bacati ambalažu sve dok pažljivo ne pregledate alat i njime ne izvršite nekoliko uspješnih rezanja.
- Ako bilo je koji od dijelova oštećen ili nedostaje, obratite se za pomoć najbližem servisnom centru.

#### ▲ UPOZORENJE

Ako je bilo koji od dijelova oštećen ili nedostaje, nemojte koristiti proizvod sve dok se taj dio ne zamijeni. Pokretanje i korištenje ovog proizvoda s oštećenim dijelovima ili bez dijelova može dovesti do teških tjelesnih ozljeda.

#### ▲ UPOZORENJE

Nemojte pokušavati modificirati ovaj alat ili izraditi dodatni pribor koji nije preporučeno za korištenje uz ovaj alat. Svaki takav dodatak ili modifikacija je pogrešna uporaba i može rezultirati opasnim stanjem dovodeći do mogućih ozbiljnih osobnih ozljeda.

#### ▲ UPOZORENJE

Proizvod nemojte spajati na izvor napajanja sve dok ga potpuno ne sastavite. Nepoštivanje ovih uputa može dovesti do teških tjelesnih ozljeda.

#### MONTAŽA PROIZVODA NA RADNI STOL

Ako će se proizvod koristiti na trajnoj lokaciji, mora se montirati na stabilnu površinu, npr. na radni stol. Za to služe četiri provrta u postolju stroja. Vijci (nisu uključeni) moraju biti dovoljne duljine da prođu kroz postolje pile, podloške za fiksiranje (nisu uključeni), šesterokutne matice (nisu uključene) i debljinu radnog stola. Čvrsto zategnite sva četiri vijka.

Nakon montaže pažljivo provjerite radni stol i uvjerite se da se za vrijeme korištenja pile neće pomicati. Ako utvrdite da se radni stol može pomicati, prije pokretanja stroja fiksirajte radni stol za pod.

- Postavite proizvod na radni stol. Pomoću provrta u postolju pile locirajte i označite mjesta za bušenje provrta u radnom stolu.
- Izbušite provrte u radnom stolu.
- Postavite tračnu pilu na radni stol i poravnajte provrte u postolju pile s provrtima koje ste izbušili u radnom stolu.
- Umetnite vijke (nisu uključeni) i čvrsto ih zategnite pomoću podložaka za fiksiranje i šesterokutnih matica (nisu uključeni). **NAPOMENA:** Sve vijke postavljate s gornje strane. Podloške i šesterokutne matice montirajte s donje strane stola.

#### STEZANJE PROIZVODA ZA RADNI STOL

*Pogledajte sliku 4.*

Ako ćete proizvod koristiti kao pokretni alat, preporučuje se da ga trajno fiksirate na montažnu ploču koja se lako može stegnuti za radni stol ili neku drugu stabilnu površinu. Montažna ploča mora biti dovoljno velika da se sprječii prevrtanje pile za vrijeme rada. Preporučuje se šperploča ili iverica debljine 19 mm (3/4").

Ako koristite vijke za drvo, provjerite jesu li dovoljno dugi da prođu kroz provrte u postolju stroja i materijalu na koji montirate pilu. Ako koristite strojne vijke, provjerite jesu li dovoljno dugi da prođu kroz provrte u postolju stroja, provrte u materijalu na koji montirate pilu, te kroz podloške za fiksiranje i šesterokutne matice.

**NAPOMENA: MOŽDA ĆE BITI POTREBNO UPUSTITI ŠESTEROKUTNE MATICE I PODLOŠKE NA DONJOJ STRANI MONTAŽNE PLOČE.**

- Pilu montirajte na montažnu ploču pomoću provrta u postolju pile. Locirajte i označite mjesta za provrte.
- Slijedite posljednja tri koraka iz odjeljka Montaža



## Hrvatski (Prijevod izvornih uputa)

proizoda na radni stol, prikazanog iznad.

### MONTAŽA STOLA PILE

Pogledajte slike 5, 7.

- Skinite spojne matice, podloške i leptir vijke sa stola pile.
- Stojeći ispred tračne pile slijeva na desno gurnite stol pile pokraj oštrice u utor.
- Držeći stol pile lijevom rukom i istovremeno izvlačeći gumb za podešavanje iz okvira pile poravnajte zube na konzoli stola pile u zube na gumbu za podešavanje kuta. Otpustite gumb.
- Postavite klinove na okviru u uture u konzoli stola pile.
- Umetnite podložak na navijenu stranu poluge za blokiranje stola. Zategnite stol pile na okvir pile okretanjem poluge za fiksiranje stola u smjeru kazaljke na satu.
- Pričvrstite spojne matice, podloške i leptir vijke na stol pile.

**NAPOMENA:** Leptir vijak se montira ispod stola pile.

### MONTAŽA NOSAČA PROŠIRENJA STOLA

Pogledajte sliku 6.

- Umetnite cijevi nosača proširenja stola u provrte na stražnjoj strani postolja pile.
- Poravnajte provrte na cijevima s provrtima u postolju pile.
- Umetnite vijke za fiksiranje i zategnite ih pomoću podložaka i šesterokutnih matica.

### POSTAVLJANJE STOLA PILE POD PRAVI KUT U ODNOSU NA LIST PILE

Pogledajte slike 8 - 9.

- Za deblokiranje sklopa vodilice lista pile okrenite gumb za blokiranje suprotno od smjera kazaljke na satu. Podignite sklop vodilice koliko god je to moguće okretanjem gumba za podešavanje vodilice u smjeru kazaljke na satu. Okrenite gumb za fiksiranje u smjeru kazaljke na satu kako biste ponovno zategnuli sklop.
- Postavite mali kombinacijski kutnik na stol pile pokraj lista pile.
- Otpustite polugu za blokiranje stola i okrenite gumb za podešavanje nagiba stola kako biste stol mogli pomicati gore i dolje i poravnati ga na 90° u odnosu na list pile (položaj 0°). Ponovno zategnite polugu za blokiranje stola.
- Okrećite vijak za podešavanje sve dok vijak ne dotakne kućište pile.
- Provjerite je li stol pod pravim kutom u odnosu na pilu. Ako je to potrebno, ponovno podesite.
- Postavite indikator mjerne skale na nulu i zategnite

vijak phillips odvijačem.

**NAPOMENA:** Prije počinjanja novog projekta uvijek prvo provjerite je li stol pile postavljen pod pravim kutom u odnosu na pilu probnim rezom na otpadnom materijalu. Ako stol nije pravilno poravnat, možda će biti potrebno otpustiti vijke ispod stola pole kako biste izveli podešavanja (utor za pilu mora biti paralelan s listom pile). Nakon poravnavanja ponovno zategnite vijke.

### PODEŠAVANJE NAPETOSTI LISTA PILE

Pogledajte slike 10-11.

- Isključite proizvod.
- Prije korištenja tračne pile okrenite gumb za podešavanje napetosti lista pile na gornjoj strani pile u smjeru kazaljke na satu kako biste postavili napetost lista pile.
- **NAPOMENA:** Podešavanja napetosti lista moguće je vršiti u bilo kojem trenutku.
- Dok okrećete gumb za natezanje lista pile, povucite i trzните list pile (traku) sa stražnjeg, ravnog kraja na isti način na koji biste povukli žicu na gitari.

Što je list pile (traka) više napet, to ima viši zvuk. Nikada nemojte zategnuti list pile toliko jako da potpuno sabijete oprugu. Potpuno sabijena opruga ne može djelovati kao amortizer.

Ako je prejako nategnut, list pile može puknuti. Deblji komadi zahtijevaju veću napetost; maksimalna napetost lista nije potrebna za sve vrste rezova. Preslabo nategnuta traka (list) pile može skliznuti s valjaka.

### PORAVNAVANJE (CENTRIRANJE) LISTA PILE

Pogledajte sliku 11.

Prije podešavanja poravnavanja potrebno je pravilno podesiti napetost lista pile. Uvjerite se da vodilice ne smetaju kretanju lista pile. Grlo zuba oštrice pile (najdublji dio zuba pile, tzv. "pazuh" zuba) mora biti na sredini gume.

#### Za podešavanje:

Isključite s izvora napajanja. Otvorite prednje poklopce tako da odvijete vijke za fiksiranje poklopca. Promatrate položaj oštrice na gornjoj gumi dok rukom polako okrećete gornji valjak u smjeru kazaljke na satu. Ako se pila odmiče od sredine gume, potrebno je podesiti poravnavanje.

#### Ako se pila pomaknula udesno ili ulijevo od sredine:

- Okrenite gumb za poravnavanje lista pile (u smjeru kazaljke na satu ako je pomak trake, tj. lista ulijevo, ili u smjeru suprotnom od smjera kazaljke na satu ako je pomak udesno) istovremeno rukom okrećite kolo, sve dok se traka ne pomakne i sjedne u sredinu gume.
- Provjerite položaj lista (trake) pile na donjoj gumi. Traka mora potpuno biti na gumi (dno između zubaca, tzv. "pazuh zuba" mora biti u sredini). Ako traka pile





## Hrvatski (Prijevod izvornih uputa)

nije poravnata, podesite poravnavanje sve dok traka pile ne sjedne na obje gume.

- Rukom okrenite gornje kolo u smjeru kazaljke na satu još nekoliko okretaja. Provjerite je li traka pile ostala na istim položajima na obje gume. Ponovno podesite, prema potrebi, sve dok ne utvrdite da je poravnavanje pravilno.
- Zatvorite prednje poklopce i zategnite vijak za fiksiranje poklopca.
- Isključite proizvod
- Provjerite i potvrdite da je list pile centriran na gumi (kroz kontrolni prozorčić). Ako nije, ponovite prethodno navedene korake.

### ⚠ UPOZORENJE

Vodilice lista pile su postavljene tvornički. Ove su postavke primjenjive u nekim radnim postupcima. Preporučujemo vam da prije prvog korištenja vaše pile pregledate i podesite vodilice lista pile. Pogledajte postupke objašnjene u odjeljku "Podešavanje aksijalnih ležajeva i nosača vodilice lista pile" u poglavlju "Podešavanja" u ovom korisničkom priručniku.

### MONTAŽA GRANIČNIKA

- Postavite graničnik na lijevu stranu stola pile, s ručicom za blokiranje na prednjoj strani.
- Gurnite ručicu za blokiranje u položaj za blokiranje na graničniku.
- Okrećite ručicu za blokiranje kako biste podesili čvrstoću stezanja stezaljki.

### RAD

### ⚠ UPOZORENJE

Neka vam koncentracija pri radu ne popusti ni kad upoznate kako radi vaš alat. Uvijek imajte na umu da je dovoljna samo jedna sekunda nepažnje kako biste se teško ozlijedili.

### ⚠ UPOZORENJE

Uvijek nosite zaštitna sredstva za oči. Nepoštivanje ovog upozorenja može dovesti do prskanja stranih tijela u vaše oči i prouzročiti teške ozljede oka.

### ⚠ UPOZORENJE

Nemojte koristiti nikakve priključke ili dodatni pribor koji nije preporučen od strane proizvođača uređaja. Uporaba dijelova i dodatne opreme koje nije preporučio proizvođač može dovesti do teških ozljeda.

### ⚠ UPOZORENJE

Kako biste izbjegli kontakt s listom pile, sklop vodilica podesite u neposrednu blizinu radnog komada. Nepoštivanje ovog pravila može rezultirati teškim tjelesnim ozljedama.

### ⚠ UPOZORENJE

Nikada nemojte koristiti proizvod bez pričvršćenog štitnika lista pile i s otpuštenim ili skinutim prednjim poklopcima. Takav postupak može rezultirati teškim tjelesnim ozljedama.

### OSNOVNI RAD TRAČNE PILE

Tračna pila je ustvari stroj za izrezivanje krivulja koji se također može koristiti za rezanje ravnih linija prilikom poprečnog rezanja, kosog rezanja, nagnutog rezanja, složenog rezanja i ponovnog piljenja. Prilikom korištenja tračne pile za rezanje ravnih linija korisnik može postaviti ogradu (graničnik) pomoću komada drveta odgovarajuće veličine pričvršćenih za stol stolarskim stegama. Pila ne može raditi unutarnje rezove ili rezove u drvetu koji ne prolaze kroz cijelu debljinu komada.

Prije početka samog rezanja pustite stroj da radi i promatrajte ga. Ako primijetite pretjerane vibracije ili neuobičajenu buku, odmah zaustavite stroj. Isključite proizvod i iskopčajte ga s izvora napajanja. Nemojte ponovno pokretati stroj dok ne identificirate i ispravite problem.

### POSTUPCI REZANJA

- Radni komad uvijek držite čvrsto pritisnutog na stol.
- Prilikom ulaganja materijala radni komad lagano gurajte s obje ruke na list pile. Nemojte silom gurati radni komad, pustite da pila izvrši rez.
- Najmanji promjer kruga koji se može izrezati određen je širinom lista pile. Najmanji promjer kruga koji je moguće izrezati listom pile širine 6,35 mm (1/4") iznosi 38 mm (1-1/2").
- Držite ruke dalje od rezne ploče. Nemojte raditi na radnim komadima koji su toliko mali da vam prsti prolaze ispod štitnika lista pile.
- Izbjegavajte neuobičajene postupke i položaje ruku u kojima vas iznenadno proklizavanje može dovesti







## Hrvatski (Prijevod izvornih uputa)

u opasnost od teških tjelesnih ozljeda zbog dodira s listom pile u radu. Nikada nemojte postavljati ruke na put rezanja pile.

- Prilikom rezanja velikih, malih, ili nepravilno oblikovanih komada koristite odgovarajuće potpore (stolove, stolarske konjiće, blokove, itd.).
- Nikada nemojte umjesto proširenja stola za dodatnu potporu radnog komada (koji je duži ili širi od osnovnog stola pile) koristiti drugu osobu.
- Prilikom rezanja nepravilno oblikovanih radnih komada pažljivo isplanirajte postupak rezanja kako ne bi došlo do zaglavljivanja lista pile. Primjerice, komad kalupa mora biti ravno polegnut na stol pile. Radni komadi se ne smiju uvijati, tresti ili proklizavati za vrijeme rezanja.

Kod povlačenja obratka može doći do zapinjanja lista pile u propiljku (reзу). Ovo se obično dogodi kada je propiljak začepljen vijetinom ili kada list pile izađe iz vodilica. Ako se to dogodi:

- Isključite proizvod. Pričekajte da se pila potpuno zaustavi. Isključite proizvod s izvora napajanja.
- Razmaknite propiljak (rez) tako da u njega umetnete odvijać s ravnim vrhom ili drveni klin.
- Otvorite prednji poklopac i rukom okrećite gornje kolo istovremeno pridržavajući radni komad.

### POMOĆNI REZOV I

Pomoćni rezovi koriste se kada je potrebno izrezati krivulju premalog promjera. Izrežite rez kroz otpadni dio radnog komada kako biste došli do krivulje uzorka, potom pažljivo izvucite radni komad s lista pile. Za zamršene krivulje potrebno je izvesti nekoliko pomoćnih rezova prije nego što listom pile počnete slijediti krivulju uzorka - otpadni dijelovi materijala se izrezuju, čime se smanjuje pritisak na list pile prilikom rezanja.

### POMICANJE TIJEKOM REZANJA

Općenito, za rezanje krivulju slijedite uzorak tako da istovremeno gurate i okrećete radni komad. Nemojte pokušavati okretati radni komad zahvaćen listom pile u radu bez da ste ga prethodno gurnuli - može doći do zapinjanja ili uvijanja lista pile.

### UKLANJANJE ZAGLAVLJENOG MATERIJALA

Nikada nemojte uklanjati zaglavljene izreske ako list pile nije potpuno zaustavljen.

- Isključite proizvod. Pričekajte da se pila potpuno zaustavi.
- Prije uklanjanja zaglavljenoг materijala obavezno isključite stroj s izvora napajanja.

### IZBJEGAVANJE OZLJEDA

- Provjerite je li pila na ravnoj površini i je li stabilna. Pila se mora postaviti na čvrstu ravnu površinu s dovoljno

prostora za rukovanje strojem i pravilno podupiranje radnog komada.

- Kako biste izbjegli pomicanje stroja u stranu, skakanje ili sklizanje stroja za vrijeme rada, prilikom rezanja dugih i tvrdih proizvoda vijcima pričvrstite tračnu pilu za ravnu površinu.
- Prije premještanja pile isključite pilu i iskopčajte s izvora napajanja.
- Nemojte uklanjati zaglavljene izreske ako list pile nije potpuno zaustavljen.
- Odaberite list pile ispravne veličine i vrste za materijal i vrstu reza koji želite raditi.
- Provjerite jesu li zubi lista pile okrenuti prema dolje, jesu li ispravno podešene vodilice lista pile, aksijalni ležajevi i napetost lista, je li gumb vodilice lista čvrsto zategnut te da nema nedopuštenih zazora na dijelovima pile.
- Kako biste izbjegli slučajni kontakt s oštricom, smanjili mogućnost pucanja lista pile i omogućili dobro držanje lista pile uvijek postavite sklop vodilice lista tik do radnog komada.
- Koristite se samo preporučenim dodatnim priborom.
- Prije uključivanja pile uklonite sa stola pile sve osim radnog komada i predmeta potrebnih za držanje radnog komada.
- Komadi kružnog presjeka, kao što su to grede okruglog presjeka ili cijevi, moraju biti poduprti na pravilan način, pošto teže rotiranju za vrijeme rezanja, što uzrokuje zapinjanje ("zagriz") lista pile. Kako biste to izbjegli, koristite blok za držanje u obliku slova V ili pritegnite komad za mjerac nagiba.
- Prije uklanjanja dijelova sa stola pile isključite pilu i pričekajte da se svi pokretni dijelovi stroja zaustave.

### UKLJUČIVANJE/ISKLJUČIVANJE PROIZVODA.

*Pogledajte sliku 12.*

- Pritisnite prekidač s oznakom "I" za uključivanje proizvoda.
- Pritisnite prekidač s oznakom "O" za isključivanje proizvoda.

### PRIJE OSTAVLJANJA PROIZVODA U RADIONICI

*Pogledajte sliku 12.*

- Isključite proizvod. Pričekajte da se pila potpuno zaustavi.
- Isključite proizvod s izvora napajanja.
- Radionicu zaštitite od djece.
- Otpustite napetost lista pile pomoću poluge za napinjanje lista pile Rapidset™. Time produljujete životni vijek lista pile.
- Zaključajte radionicu.



## Hrvatski (Prijevod izvornih uputa)

### UKLJUČIVANJE/ISKLJUČIVANJE RADNOG SVJETLA

Pogledajte sliku 13.

- Za uključivanje radnog svjetla pritisnite prekidač s oznakom "I".
- Za isključivanje radnog svjetla pritisnite prekidač s oznakom "O".

### NAGINJANJE STOLA

Pogledajte sliku 14.

- Otpustite gumb za blokiranje stola.
- Okrenite gumb za podešavanje kuta i nagnite stol u željeni kut.
- Pomoću indikatora mjerne skale provjerite oznake kuta.
- Ponovno zategnite gumb za blokiranje stola kako biste fiksirali stol u željenom položaju.

### KORIŠTENJE MJERILA NAGIBA

Pogledajte slike 15 - 16.

Mjerilo nagiba se može podesiti na maksimalno 60° na lijevu ili desnu stranu.

- Otpustite gumb za blokiranje na mjerilu nagiba.
- Mjerilo smješteno u namjenski utor na stroju rotirajte sve dok na mjernoj ljestvici ne postignete željeni kut nagiba.
- Ponovno zategnite gumb za blokiranje.

### KORIŠTENJE GRANIČNIKA

Graničnik se koristi u svim postupcima rezanja. Nikada nemojte rezati bez upotrebe ruku i bez postavljenog i blokiranog graničnika.

- Postavite graničnik na željenu širinu rezanja i fiksirajte ga.
- Prije početka rezanja provjerite je li graničnik paralelan s listom pile. Prilikom rezanja dugih dasaka ili velikih ploča uvijek koristite odgovarajuću potporu za radne komade.
- Držite komad prislonjen na graničnik i lagano ga gurajte na list pile jednoličnim pritiskom.

### PODEŠAVANJE

#### ⚠ UPOZORENJE

Prije provođenja bilo kakvih podešavanja uvjerite se da je alat isključen s izvora napajanja i da je prekidač alata u isključenom položaju. Nepoštivanje ovog upozorenja može dovesti do ozbiljnih osobnih ozljeda.

#### ⚠ UPOZORENJE

Kako biste izbjegli tjelesne ozljede, održavajte pravilnu napetost lista pile i pravilne postavke vodilica lista pile i aksijalnih ležajeva.

### MONTAŽA I PODEŠAVANJE LISTA PILE

Pogledajte sliku 17.

- Otpustite i uklonite spojne matice, podloške i leptir vijke sa stola pile.
- Otvorite prednje poklopce tako da odvijete vijke za fiksiranje poklopca.
- Za deblokiranje sklopa vodilice lista pile okrenite gumb za blokiranje suprotno od smjera kazaljke na satu. Okretanjem gumba za podešavanje lista pile postavite sklop vodilica lista pile na otprilike pola puta između kućišta pile i stola pile (okretanjem u smjeru kazaljke na satu podižete sklop vodilica; okretanjem u suprotnom smjeru spuštate sklop). Ponovno zategnite gumb za blokiranje.
- Otvorite štitnik vodilica izvlačenjem lijeve strane štitnika u smjeru od kola.
- Potpuno opustite napetost lista pile.
- Pažljivo uklonite stari list pile.
- Koristeći zaštitne rukavice pažljivo odmotajte novu traku lista pile na otprilike jednu duljinu ruke. Ako je novi list pile prethodno nauljen (za sprječavanje korozije), obrišite ga kako biste spriječili kapanje ulja po vašem radnom komadu. Pažljivo obrišite list pile u smjeru zubaca kako ne biste krpom zapeli za zube lista pile.

**NAPOMENA:** Ako su zubi pile usmjereni u krivom smjeru, potrebno je izvnuti list pile. Držite list pile s obje ruke i okrećite ga prema unutra.

- Sa zubima pile usmjerenim na lijevu stranu i prema dolje, postavite list pile kroz donje vodilice lista i oko oba kola.
- Polako rukom okrećite gornje kolo u desnu stranu ili u smjeru kazaljke na satu kako biste centralizirali list pile na gumenim kolima.
- Ponovno aktivirajte ručicu za postavljanje napetosti lista pile RapidSet™ kako biste podesili napetost lista; provjerite ili podesite poravnanje lista pile.
- Podesite obje (gornje i donje) vodilice lista i aksijalne ležajeve na način objašnjen u ovom Korisničkom priručniku.
- Ponovno pričvrstite leptir vijak, podloške i spojnu maticu. Čvrsto zategnite.
- Zatvorite štitnik pile i prednji poklopac. Zategnite gumb za blokiranje poklopca.



## Hrvatski (Prijevod izvornih uputa)

### PODEŠAVANJE SKLOPA VODILICE LISTA PILE

Pogledajte slike 18 - 19.

Kako biste spriječili izvijanje ili pucanje lista pile, vodilice lista moraju biti postavljene oko 3,2 mm (1/8") iznad radnog komada.

- Za deblokiranje sklopa vodilice lista pile okrenite gumb za blokiranje suprotno od smjera kazaljke na satu.
- Za postavljanje visine sklopa vodilica koristite otpadni komad istog drva koje namjeravate rezati. Podesite sklop vodilica lista pile okretanjem gumba za podešavanje vodilica.
- Fiksirajte i blokirajte sklop vodilica u željenom položaju okrećući gumb za podešavanje vodilica u smjeru kazaljke na satu.
- Prije uključivanja tračne pile uvijek prvo fiksirajte sklop vodilice lista pile.

### PODEŠAVANJE NOSAČA SKLOPA VODILICA I AKSIJALNIH LEŽAJEVA

Pogledajte slike 20 - 21.

**NAPOMENA:** Prije izvođenja bilo kakvih podešavanja zategnite gumb za blokiranje i pogledajte postupke objašnjene u odjeljcima "Podešavanje poravnanja lista pile" i "Poravnavanje lista pile" u poglavlju SKLAPANJE ovog korisničkog priručnika.

Aksijalni ležajevi gornje i donje vodilice nose i usmjeravaju vodilice lista pile za vrijeme radnji rezanja. Podešavanja ležajeva i vodilica moraju se provjeravati svaki put kada se montira novi list pile.

#### Za podešavanje aksijalnih ležajeva:

Aksijalni ležajevi nose zadnji kraj lista pile za vrijeme rezanja. Aksijalni ležajevi ne smiju dodirivati aksijalne ležajeve nakon prestanka rezanja. Važno je podesiti ležajeve gornje i donje vodilice na jednak način.

- Otvorite prednje poklopce i štitnik lista pile.
- Pomoću viličastog ključa otpustite vijke gornjeg i donjeg aksijalnog ležaja i gurnite aksijalne ležajeve na stražnji dio lista pile.
- Potvrdite da je list pile ispravno poravnat, potom gurajte aksijalni ležaj prema naprijed sve dok ne bude unutar 0,4 mm (1/64") od lista pile. Čvrsto zategnite vijak aksijalnog ležaja.
- Gurnite donji ležaj sve dok ne postignete odgovarajući zazor. Čvrsto zategnite vijak aksijalnog ležaja.

#### Za podešavanje nosača vodilice lista pile:

- Otpustite nosač vodilice pile i zatične vijke za fiksiranje vodilica pomoću viličastog ključa.
- Gurnite nosač gornje vodilice na osovinu sve dok prednji rub vodilica ne dodirne rub lista pile iza grla. Čvrsto zategnite vijak.

- Gurnite desnu vodilicu tako da dodirne list pile i potom otpustite. Polako okrećite kolo jedan puni krug. Zategnite zatične vijke vodilica.
- Podesite lijevu vodilicu na zazor od 0,4 mm (1/64") između lista pile i vodilice (na otprilike debljinu igracne karte) tako da umetnete kartu između lijeve vodilice i lista pile.
- Pritisnite klin lijeve vodilice kako biste kartu zadržali na mjestu. Zategnite zatični vijak i potom uklonite kartu.
- Okrenite rukom puna tri kruga kako biste se uvjerali da list pile neće puknuti.
- Zatvorite štitnik pile i prednji poklopac. Fiksirajte vijkom.

Ponovite ovaj postupak za nosač donje vodilice.

### PODEŠAVANJE GRANIČNIKA

- Otpustite ručicu za blokiranje okretanjem ručice u smjeru suprotnom od smjera kazaljke na satu.
- Postavite graničnik u željeni položaj.
- Gurnite ručicu za blokiranje u položaj za blokiranje na graničniku.
- Okrećite ručicu za blokiranje kako biste podesili čvrstoću stezanja stezaljki.

## ODRŽAVANJE

### ⚠ UPOZORENJE

Prilikom servisiranja koristite samo identične zamjenske dijelove. Korištenje nekih drugih dijelova može dovesti do opasnosti ili uzrokovati oštećenje alat.

### ⚠ UPOZORENJE

Za vrijeme rada s proizvodom uvijek nosite zaštitu za oči. Ako radite u prašini nosite i masku za zaštitu od prašine.

### ⚠ UPOZORENJE

Prije provođenja bilo kakvih radova održavanja na alatu uvjerite se da je alat isključen s izvora napajanja i da je prekidač alata u isključenom položaju. Nepoštivanje ovog upozorenja može dovesti do ozbiljnih osobnih ozljeda.

### OPĆE ODRŽAVANJE

Prilikom čišćenja plastičnih dijelova izbjegavajte koristiti kemijska sredstva. Većina plastika je podložna oštećenju od različitih vrsta komercijalnih kemijskih sredstava za čišćenje i mogu se oštetiti prilikom njihovog korištenja. Za



## Hrvatski (Prijevod izvornih uputa)

uklanjanje prljavštine, prašine, ulja, masnoće itd., koristite čistu krpu.

### ⚠ UPOZORENJE

Nikada ne dopustite kontakt plastičnih dijelova s tekućinom za kočnice, benzinom, proizvodima na bazi petroleja, sredstvima za odmašćivanje, idr. Kemikalije mogu oštetiti, oslabiti ili uništiti plastiku što može dovesti do ozbiljnih osobnih ozljeda.

- Održavajte proizvod čistim.
- Redovito uklanjajte piljevinu iz stroja.
- Nemojte dopustiti da se na stolu pile, vodilicama lista pile ili aksijalnim ležajevima nataloži smola. Čistite ih sredstvom za uklanjanje smole.
- Na stol pile nanesite tanki sloj automobilskog voska - time ćete olakšati klizanje drva preko radnog stola za vrijeme rezanja.

### Podmazivanje

Svi ležajevi u ovom alatu podmazani su s dovoljnom količinom visokokvalitetnog sredstva za podmazivanje za životni vijek uređaja u normalnim radnim uvjetima. Stoga nije potrebno daljnje podmazivanje.

### GUME

#### Čišćenje guma:

- Nakupine smole i piljevine na gumama potrebno je ukloniti finom žičanom četkom ili komadom drveta. **Nemojte koristiti oštri nož ili otapalo bilo koje vrste.**

#### Zamjena guma:

- Otvorite prednji poklopac i skinite list pile. Pogledajte odjeljak Montaža i podešavanje lista pile.
- Pažljivo odvojite istrošenu gumu s kola.
- Nategnite novu gumu preko kotača.
- Zamijenite list pile i vratite prednji poklopac.

### ČETKA

Pogledajte sliku 22.

U kućištu pile, pokraj kotača, nalazi se četka. Četka služi za uklanjanje piljevine, čime se štiti i produljuje radni vijek gume i kola. Kada se četka istroši, potrebno ju je zamijeniti.

- Skinite vijak i podlošku te izvucite četku van.
- Postavite novu četku u utor.
- Vratite i zategnite podlošku i vijak.

### TRANSPORT I SKLADIŠTENJE

Pogledajte slike 23 - 24.

- Prilikom transporta proizvoda isključite naponski kabel, spustite štitič lista pile i razmontirajte proizvod s radne površine. Štap za guranje radnog komada pohranite na bočnoj strani gornjeg dijela kućišta. Podignite proizvod za gornje kućište na prikazan način. Skladištite proizvod na dobro osiguranom mjestu koje nije pristupačno djeci.
- Očistite proizvod korištenjem četke i usisavača prije spremanja.

### ZAŠTITA OKOLIŠA



Sirovine reciklirajte, umjesto da ih odlažete kao otpad. Kako biste zaštitili okoliš, alat, dodatke i ambalažu treba odvojeno baciti u otpad.

### SIMBOL



Sigurnosno upozorenje



CE usklađenost



Molimo vas da prije pokretanja uređaja pažljivo pročitate upute.



Nosite zaštitu za vid



Nosite zaštitu za sluh



OPASNOST! Oštra oštrica.



Brava



Otključavanje

## Hrvatski (Prijevod izvornih uputa)



Maksimalna dubina rezanja



Maksimalna širina rezanja



Maksimalni kut rezanja



Radna brzina



Veličina noža



Prije izvođenja radova održavanja uređaj obavezno isključite s izvora napajanja.



Otpadni električni proizvodi ne treba da se odlažu s otpadom iz domaćinstva. Molimo da reciklirate gdje je to moguće. Potražite savjet od lokalnih vlasti ili prodavca kako reciklirati.



## Hrvatski (Prijevod izvornih uputa)

### RJEŠAVANJE PROBLEMA

Problem	Mogući uzrok	Rješenje
Motor se ne pokreće	<ol style="list-style-type: none"> <li>1. Problem s prekidačem za uključivanje/isključivanje ili naponskim kabelom.</li> <li>2. Motor u kvaru.</li> <li>3. List pile zapinje.</li> </ol>	<ol style="list-style-type: none"> <li>1. Prije ponovnog korištenja proizvoda zamijenite istrošene dijelove.</li> <li>2. Nemojte pokušavati sami izvoditi popravke na stroju. Neka vaš alat servisira kvalificirana osoba.</li> <li>3. Uklonite zaglavljani materijal</li> </ol>
Traka pile nije u približnom centru na gornjem kolu.	<ol style="list-style-type: none"> <li>1. Nepravilno poravnavanje lista pile.</li> </ol>	<ol style="list-style-type: none"> <li>1. Podešavanje poravnanja, pogledajte poglavlje PODEŠAVANJA, odjeljak "Poravnavanje lista pile".</li> <li>2. Ako je oštećen, neka ga odmah zamijeni serviser.</li> </ol>
Tračna pila usporava za vrijeme rezanja.	<ol style="list-style-type: none"> <li>1. Rezanje premalog promjera.</li> <li>2. Tup list pile.</li> </ol>	<ol style="list-style-type: none"> <li>1. Prestanite gurati materijal i malo ga povucite unatrag sve dok se traka pile ne ubrza.</li> <li>2. Zamijenite list pile.</li> </ol>
Pucanje lista pile.	<ol style="list-style-type: none"> <li>1. Prevelika napetost lista pile.</li> <li>2. Pucanje lista uzrokovano je rezanjem krivulja premalog promjera ili prebrzim okretanjem radnog komada za vrijeme rezanja.</li> <li>3. Aksijalni ležajevi su oštećeni ili se ne okreću.</li> </ol>	<ol style="list-style-type: none"> <li>1. Podesite napetost lista pile. Pogledajte poglavlje PODEŠAVANJA, odjeljak "Podešavanje napetosti lista pile".</li> <li>2. Koristite pravilnu tehniku rezanja. Pogledajte poglavlje Rad stroja.</li> <li>3. Zamijenite aksijalne ležajeve.</li> </ol>
Proizvod proizvodi preveliku buku za vrijeme rada.	<ol style="list-style-type: none"> <li>1. Prevelika napetost lista pile.</li> <li>2. Vodilice lista pile i ležajevi dodiruju list pile.</li> </ol>	<ol style="list-style-type: none"> <li>1. Podesite napetost lista pile. Pogledajte poglavlje PODEŠAVANJA, odjeljak "Podešavanje napetosti lista pile".</li> <li>2. Podesite gornje i donje vodilice i ležajeve. Pogledajte u poglavlju PODEŠAVANJA odjeljak "Podešavanje aksijalnih ležajeva i nosača vodilica lista pile".</li> </ol>
Pila ne reže ravno.	<ol style="list-style-type: none"> <li>1. Vodilice lista pile i ležajevi nisu ispravno podešeni.</li> <li>2. Istrošen ili neispravan list pile.</li> </ol>	<ol style="list-style-type: none"> <li>1. Podesite gornje i donje vodilice i ležajeve. Pogledajte u poglavlju PODEŠAVANJA odjeljak "Podešavanje aksijalnih ležajeva i nosača vodilica lista pile".</li> <li>2. Zamijenite list pile.</li> </ol>
Vodilice pile ne ostaju na mjestu.	<ol style="list-style-type: none"> <li>1. Otpušteni su vijci vodilica lista pile.</li> </ol>	<ol style="list-style-type: none"> <li>1. Čvrsto zategnite vijke vodilica lista pile.</li> </ol>
Motor radi, ali list pile se ne kreće	<ol style="list-style-type: none"> <li>1. Nepravilno postavljena napetost lista.</li> <li>2. Puknuo je pogonski remen.</li> </ol>	<ol style="list-style-type: none"> <li>1. Za postavljanje napetosti lista pile koristite polugu za postavljanje napetosti lista.</li> <li>2. Ako je oštećen, neka ga odmah zamijeni serviser.</li> </ol>





## Slovensko (Prevod originalnih navodil)

### OPIS

- |  |                                  |
|--|----------------------------------|
| 1. Gumb za nastavev napetosti lista žage             | 53. Zaklenjeno                   |
| 2. Vijak za zaščitna vratca                          | 54. Aksialni ležaj               |
| 3. Okno za ogled teka lista                          | 55. Vijak za aksialni ležaj      |
| 4. Delovna luč                                       | 56. Vijak za podporo vodil lista |
| 5. Zaščita rezila                                    | 57. Zgornja podpora vodila lista |
| 6. Rezilo žage                                       | 58. Vodilo lista                 |
| 7. Merilec za poševno rezanje                        | 59. Vijak za sklop vodil lista   |
| 8. Odprtina za žagovino                              | 60. Vijak za vodila lista        |
| 9. Kazalec skale                                     | 61. Spodnja podpora vodila lista |
| 10. Gumb za nastavev kota                            | 62. Ščetka                       |
| 11. Skala  | 63. Podložka                     |
| 12. Ročica za fiksiranje mize                        | 64. Vijaki                       |
| 13. Gumb za fiksiranje                               | 65. Gumijasto vodilo             |
| 14. Gumb za prilagajanje vodil lista                 |                                  |
| 15. Ročica za napetost lista                         |                                  |
| 16. Osrednja ploščica                                |                                  |
| 17. Gumb za nastavev teka                            |                                  |
| 18. Stikalo za vklop/izklop                          |                                  |
| 19. Miza žage  |                                  |
| 20. Sprednja spodnja plošča                          |                                  |
| 21. Sprednja zgornja plošča                          |                                  |
| 22. Stransko vodilo                                  |                                  |
| 23. Stikalo za delovno luč                           |                                  |
| 24. Pritisna letev                                   |                                  |
| 25. Križni izvijač (ni priložen)                     |                                  |
| 26. Nastavljivi ključ (ni priložen)                  |                                  |
| 27. Majhno kotno kombinacijsko ravnilo (ni priložen) |                                  |
| 28. Šestrobi ključ , 3 mm                            |                                  |
| 29. Šestrobi ključ , 4 mm                            |                                  |
| 30. Šestrobi ključ , 5 mm                            |                                  |
| 31. Podložka   |                                  |
| 32. Slepe matice                                     |                                  |
| 33. Podložke   |                                  |
| 34. Noge   |                                  |
| 35. Pritrdilni vijaki                                |                                  |
| 36. Šestrobe matice                                  |                                  |
| 37. Podporni podaljšek                               |                                  |
| 38. Luknje v podstavku žage                          |                                  |
| 39. Profilna matica                                  |                                  |
| 40. Krilati vijak                                    |                                  |
| 41. Kotnik mize                                      |                                  |
| 42. Sestav vodil lista                               |                                  |
| 43. Vijak za prilagajanje                            |                                  |
| 44. Za zmanjšanje napetosti                          |                                  |
| 45. Za povečanje napetosti                           |                                  |
| 46. Gumb za fiksiranje                               |                                  |
| 47. Reža merilca za poševno rezanje                  |                                  |
| 48. Križni vijaki                                    |                                  |
| 49. Zgornje kolo                                     |                                  |
| 50. Spodnja vodila lista                             |                                  |
| 51. Spodnje kolo                                     |                                  |
| 52. Odklenjeno                                       |                                  |





## Slovensko (Prevod originalnih navodil)

Tračna žaga je zasnovana in izdelana za zagotavljanje najvišje ravni varnosti, učinkovitosti in zanesljivosti delovanja.

### NAMEN UPORABE

Tračna žaga je namenjena za rezanje ravnih linij in krivulj ter za krožno rezanje lesa in izdelkov iz lesa.

Orodje smejo uporabljati odrasle osebe, ki so podrobno seznanjene z navodili za uporabo in se zavedajo vseh tveganj in nevarnosti pri delu z orodjem.

Žaga je namenjena za uporabo v suhih pogojih, z odlično razsvetljavo in primernim prezračevanjem.

Izdelek je namenjen za potrošniško uporabo in se sme uporabljati le tako, kot je opisano zgoraj in ne v druge namene.

### SPLOŠNA VARNOSTNA OPOZORILA

#### OPOZORILO

Pri uporabi električnih orodij morate vedno upoštevati osnovna varnostna opozorila, saj le tako lahko zmanjšate nevarnost požara, električnega udara ali telesnih poškodb. Pred uporabo tega izdelka preberite vsa navodila in shranite priručnik.

- **Delovno območje naj bo vedno čisto.** Neurejeni prostori in delovne mize privabljajo nesreče.
- **Preglejte delovno območje.** Orodja ne izpostavljajte dežju. Orodja ne uporabljajte v mokrih ali vlažnih okoljih. Delovno območje naj bo vedno dobro osvetljeno. Nikoli ne uporabljajte orodja blizu vnetljivih tekočin ali plinov.
- **Zaščita pred električnim udarom.** Izogibajte se telesnemu stiku z ozemljenimi površinami, kot so cevi, radiatorji, kuhalniki in hladilniki.
- **Drugih oseb ne spuščajte zraven.** Tretje osebe, predvsem otroci, orodja ne smejo uporabljati in se orodja ter podaljševalnega kabla ne smejo dotikati; zadrževati se morajo zunaj delovnega območja.
- **Orodja, ki jih ne uporabljate, shranite.** Ko orodja ne uporabljate, ga shranite na suho mesto in zaklenite, da otroci ne bodo imeli dostopa.
- **Orodja ne preobremenjujte.** Nalogo bo opravilo boljše in varnejše, če ga uporabite za namen, za katerega je namenjen.
- **Uporabljajte ustrezno orodje.** Z malimi orodji orodja ne opravljajte del, ki so predvidena za večja orodja. Orodja ne uporabljajte za dela, za katera ni namenjena – krožnih žag na primer ne uporabljajte za rezanje vej in debel.

- **Bodite primerno oblečeni.** Ne nosite ohlapnih oblačil ali nakita; saj bi se lahko zagodili v premikajoče se dele orodja. Pri delu na prostem je priporočljiva uporaba neдрсеčih čevljev. Če imate dolge lase, nosite tudi zaščitno pokrivalo.
- **Uporabljajte zaščitno opremo.** Uporabljajte zaščitna očala. Če pri delu nastaja prah, nosite obrazne maske ali maske proti prahu.
- **Priključite opremo za sesanje prahu.** Če je orodje namenjeno priključitvi na opremo za sesanje in zbiranje prahu, se prepričajte, da so ti priključeni in ustrezno uporabljeni.
- **Kabla ne uporabljajte za neustrezne namene.** Nikoli ne povlecite za kabel, kadar izklopite vtičak iz vtičnice. Kabel držite proč od vročine, olja ali ostrih robov.
- **Varno delo.** Kjer je to mogoče, uporabljajte sponko ali primež. To je varneje kot uporaba rok.
- **Ne segajte preko dosega.** Pazite, da stojite stabilno in da imate ravnotežje.
- **Orodja vzdržujte nežno.** Za boljše in varnejše delovanje naj bodo rezalna orodja nabrušena in čista. Sledite navodilom za mazanje in menjavo dodatkov. Redno preverjajte napajalne kable orodja in jih v primeru poškodb dajte v popravilo pooblaščenemu servisu. Redno preverjajte podaljške in jih v primeru poškodb zamenjajte z novimi. Ročaji naj bodo suhi, čisti in brez madežev olja ali masti.
- **Odklopite orodja.** Kadar orodja ne uporabljate oz. pred servisiranjem in med menjavo dodatkov (kot so rezila, svedri ipd.), orodja odklopite iz napajanja.
- **Ostranite nastavljive ključne in zatiče.** Pred vklopom orodja preverite, da so zatiči in nastavljivi ključki odstranjeni iz orodja.
- **Preprečite nehoten zagon.** Ko orodje priklopite na električno omrežje, mora biti stikalo v položaju za izklop (off).
- **Uporabljajte podaljške za zunanjo uporabo.** Kadar orodje uporabljate zunaj, uporabljajte le podaljške za zunanjo uporabo.
- **Bodite pozorni.** Spremljajte potek dela, uporabljajte zdrav razum in orodja ne uporabljajte, če ste utrujeni.
- **Preverite, ali so kje poškodovani deli.** Pred nadaljnjo uporabo pazljivo preglejte orodje in zagotovite, da orodje pravilno in ustrezno deluje. Preverite nastavitve premikajočih se delov, njihove povezave, morebitne lome, namestitve in druge pogoje, ki bi lahko vplivali na delovanje naprave. Varovalo ali drug poškodovan del morate ustrezno popraviti ali zamenjati pri pooblaščenem serviserju, razen če ni drugače navedeno v navodilih za uporabo. Okvarjena stikala mora zamenjati pooblaščen servisni center. Orodja ne uporabljajte, če ga ne morete vklopiti ali izklopiti







## Slovensko (Prevod originalnih navodil)

s stikalom.

- **Opozorilo.** Uporaba katerih koli dodatkov ali priključkov, ki niso priporočeni v teh navodilih za uporabo, lahko predstavljajo tveganje za osebne poškodbe.
- **Orodje naj popravi pooblaščen oseba.** To električno orodje izpolnjuje ustrezne varnostne kriterije. Popravila lahko izvaja le pooblaščen oseba, ki uporablja originalne rezervne dele; v nasprotnem primeru bi bil uporabnik lahko v nevarnosti.

### VARNOSTNA OPOZORILA ZA TRAČNO ŽAGO

- **Trdno vpnite ali privijte žago na delovno mizo ali nožno stojalo približno na višini bokov.**
- **Nikoli ne uporabljajte izdelka na tleh.**
- **Izogibajte se nerodnim položajem, pri katerih bi lahko nenaden zdrs povzročil premik vaše roke oz. dela telesa v stik z rezilom.** Vedno pazite, da imate dobro ravnotežje.
- **Pred začetkom žaganja pustite, da motor doseže polno hitrost, da ne bo prihajalo do zaustavljanja lista ali upočasnitve delovanja.**
- **Orodja ne uporabljajte, če ga stikalo ne vklopi ali izklopi pravilno.** Okvarjena stikala mora zamenjati pooblaščen servisni center.
- **Nadomestni deli.** Vsa popravila, električna in mehanična, mora opraviti kvalificiran serviser na pooblaščenem servisu.
- **Ob servisiranju uporabljajte samo identične nadomestne dele.** Uporaba drugih delov lahko pomeni tveganje ali povzroči škodo na izdelku.
- **Pazite, da roke niso v območju rezanja.** Ne držite kosov, ki so tako majhni, da vam gredo prsti lahko pod varovalno listo. V nobenem primeru ne segajte pod obdelovanec ali v bližino rezila.
- **Nikoli ne žagajte več kot enega kosa naenkrat in ne naložite več kot enega obdelovanca na mizo naenkrat.**
- **Ne dodajajte materiala prehitro.** Ne potiskajte obdelovanca na list s silo.
- **Uporabljajte samo ustrezna rezila.** Uporabite primerno velikost in vrsto lista za material in vrsto reza. Zobje lista morajo biti obrnjeni navzdol proti mizi žage.
- **Velike obdelovance med žaganjem vedno podprite, da se zmanjša tveganje za stisk rezila in povratni udarec.** Žaga lahko med rezanjem velikih ali težkih plošč zdrсне ali se premakne.
- **Zagozdenih odžaganih kosov ne odstranjujte, dokler se rezilo ne zaustavi.**
- **Ne uporabljajte listov žage, ki so poškodovani ali deformirani.**

- **Vložek mize zamenjajte, ko je ta obrabljen.**
- **Pri rezanju lesa priključite žago na odsesavanje prahu.**
- **Ne uporabljajte izdelka, če je varovalo za zaščito lista odprto.**
- **Izberite list žage in hitrost glede na material, ki ga boste rezali.**
- **Ne čistite lista med delovanjem žage.**
- **Pri rokovanju z listom in grobimi materiali nosite rokavice.**
- **Za ravno rezanje majhnih obdelovancev z vodilom uporabite potisno palico.**
- **Pri transportu izdelka naj bo varovalo lista popolnoma navzdol in ob mizi.**
- **Ko režete poševno z nagnjeno mizo, postavite vodilo na spodnjo stran mize.**
- **Uporabite ustrezno držalo pri razrezu lesa okrogle ali nepravilne oblike, da preprečite sukanje obdelovanca.**
- **Ne uporabljajte varoval za rokovanje ali prevoz.**
- **Prilagodite nastavlljivo varovalo, da je primerno blizu obdelovancu.**
- **Med uporabo se nikoli ne dotikajte rezila ali drugih gibljivih delov.**
- **Pred spreminjanjem nastavitve in odpiranjem vratc ali odstranjevanjem varoval ali listov, izklopite žago iz vira napajanja.**
- **Obdelovanec vedno trdno pritisnite ob mizo.**
- **Da bi se izognili nenamernemu stiku z listom, zmanjšali lomljenje lista ter zagotovili maksimalno podporo lista, vedno nastavite sestav vodil lista tako, da gre tik mimo obdelovanca.**
- **Rezila naj bodo vedno čista, ostra in primerno nameščena.** Ostra rezila zagotavljajo manj možnosti za ujetje rezila in povratni udarec.
- **Preden izklopite napajanje, žago vedno izklopite s stikalom in tako preprečite, da bi se žaga nenamerno zagnala ob vklopu napajanja.**
- **Pred uporabo žage se prepričajte, da je delovni prostor dobro osvetljen in da ni predmetov, ki bi ovirali varno delo.**
- **Vodila lista so tovarniško prednastavljena.** Te nastavitve so primerne za nekatere vrste uporabe. Priporočamo, da pred prvo uporabo vaše žage preverite in prilagodite nastavitve vodil lista. Glejte postopke za "Prilagoditev aksialnih ležajev in podpore vodil lista", navedene v razdelku PRILAGODITVE v teh navodilih za uporabo.
- **Ne uporabljajte tega orodja za rezanje kovine.**
- **Orodje mora imeti naslednje oznake:**





## Slovensko (Prevod originalnih navodil)

- Nosite zaščito za oči
- Držite roke proč od rezila.
- Zagozdenih ali odžaganih kovov ne odstranjajte, dokler se rezilo ne zaustavi.
- Prepričajte se, da je list nameščen z zobmi navzdol.
- Ohranite ustrezno prilagoditev napetosti lista, vodil lista in aksialnih ležajev.
- Prilagodite zgornje vodilo tako, da gre tik mimo obdelovanca.
- Obdelovanec med žaganjem trdno potiskajte ob mizo.
- **Če je napajalni kabel poškodovan, ga mora zaradi izogibanja tveganja zamenjati proizvajalec ali pooblaščen servis.**
- **Shranite ta navodila.** Redno se sklicujte na njih in jih uporabljajte pri proučevanju drugih uporabnikov. Če napravo komu posodite, priložite zraven tudi ta navodila.

### ELEKTRIČNI

#### PODALJŠKI

Uporabljajte samo trižilne podaljške z ozemljitvijo s tremi kontakti in trižilnimi vtičnicami, ki ustrezajo vtiču naprave. Če električno napravo uporabljate precej daleč stran od vira napajanja, uporabljajte dovolj močan podaljšek, ki bo lahko zagotovil napajanje naprave. Premajhen podaljšek povzroči padec v omrežni napetosti ter posledično padec moči in pregrevanje motorja.

Pred uporabo podaljška preverite, da nima razrahljanih ali izpostavljenih žic in prerezane ali obrabljene izolacije.

#### **⚠ OPOZORILO**

Podaljšek naj ne bo na delovnem območju. Kabel postavite tako, da se med delom z električnim orodjem ne bo ujel med navlako, orodje ali druge ovire. Neupoštevanje tega nasveta lahko povzroči hude telesne poškodbe.

#### **⚠ OPOZORILO**

Pred vsako uporabo preverite podaljške. Če so poškodovani, jih takoj zamenjajte. Nikoli ne uporabljajte orodja s poškodovanim kablom, ker bi ob dotiku poškodovanega dela kabla lahko prišlo do električnega udara in hude poškodbe.

#### ELEKTRIČNA POVEZAVA

Ta izdelek ima precizno vgrajen električni motor. Priključite ga lahko samo na 220~240V napajanje,

dvosmerni (AC) tok (običajni gospodinjiski tok), 50 Hz. Izdelka ne uporabljajte z enosmernim tokom (DC). Znaten padec napetosti bo povzročil izgubo moči, motor pa se bo pregrel. Če izdelek po vklopu v vtičnico ne deluje, se enkrat preverite električno napajanje.

#### HITROST IN NAPELJAVA

Hitrost tega izdelka brez obremenitve je 11 m/s. Hitrost ni stalna in se ob obremenitvi ali pri nižji napetosti zniža. Za napetost je tovarniško ožičenje enako pomembno kot vhodna nazivna moč motorja. Kabel, ki je namenjen razsvetljavi, običajno ni sposoben napajati motor električnega orodja. Kabel, ki je dovolj močan na kratke razdalje, bo prešibak na daljše razdalje. Kabel, ki lahko podpira eno električno orodje, morda ni sposoben podpirati dveh ali treh.

#### NAVODILA ZA OZEMLJITEV

Ta izdelek je treba ozemljiti. Če bi naprava neprimerno delovala ali se okvarila, ozemljitev nudi pot za najmanj upora za električni tok in tako zmanjša možnost električnega udara. Ta naprava je opremljena z električnim kablom, ki ima prevodnik za ozemljitev opreme in ozemljitveni vtič. Vtič morate vstaviti v ustrezno vtičnico, ki je primerno nameščena in ozemljena v skladu z lokalnimi predpisi.

Ne spreminjajte dobavljenega vtiča. Če se ne bo prilegal vtičnici, naj vam ustrezno vtičnico namesti kvalificirani električar. Poškodovan ali obrabljen kabel takoj zamenjajte.

#### PREOSTALA TVEGANJA

Nekateri preostali dejavniki tveganja ni mogoče povsem odpraviti, tudi če ta izdelek uporabljate v skladu z navodili. Med uporabo se lahko pojavijo nekatere nevarnosti, upravljavec pa naj bo pozoren na naslednje:

- Nevarnost povratnih sunkov obdelovancev in njihovih delov zaradi neustrezne nastavitve ali uporabe.
- Poškodbe dihal.
- **OPOMBA:** Nosite zaščitne dihalne maske s primernimi filtri za obdelovane materiale. Zagotovite primerno prezračevanje prostora. V delovnem območju je prepovedano jesti, piti in kaditi.
- Okvare sluha, če ne nosite učinkovite zaščite za sluh.

#### SPOZNAJTE SVOJ IZDELEK

*Glejte sliko 1.*

Za varno uporabo izdelka se morate dobro seznaniti z izdelkom in navodili za uporabo ter dobro razumeti projekt, ki se ga lotevate. Pred uporabo izdelka se seznanite z njegovimi lastnostmi in varnostnimi zahtevami.



## Slovensko (Prevod originalnih navodil)

### GUMB ZA NASTAVITEV KOTA

Omogoča nagibanje mize žage za poševno rezanje.

### ZAŠČITA REZILA

Ščiti delavca pred stikom z rezilom.

### GUMB ZA PRILAGAJANJE VODIL LISTA

Uporabite gumb za prilagajanje vodil lista, da prilagodite položaj sestava vodila lista gor in dol ter da se list ne zvije ali počí. Vedno fiksirajte sestav vodil lista pred vklopom tračne žage.

### VODILA LISTA

Zgornje in spodnje vodilo lista pomaga preprečevati zvijanje lista med delovanjem.

### ODPRTINA ZA ŽAGOVINO

Odpertina za žagovino velikosti 53 mm omogoča rezanje brez žagovine. Na odprtino za žagovino pritrдите vrečko za žagovino (ni priložena) ali sesalno napravo.

### VIJAK ZA ZAŠČITNA VRATCA

Omogoča, da so sprednja vratca odprta za prilagoditve.

### MERILEC ZA POŠEVNO REZANJE

Ta merilec omogoča postavitev lesa za prečno rezanje. Kazalnik, enostaven za branje, kaže točen kot za poševni rez pri 15°, 30°, 45° in 60°.

### ROČICA ZA NAPETOST LISTA RAPIDSET™

Z ročico prilagajate napetost lista pri menjavi lista in pri nastavljanju različnih načinov rezanja.

### REZILO ŽAGE

Žaga ima priložen standardni list velikosti 6,35 mm.

### MIZA ŽAGE Z OSREDNJO PLOŠČICO.

Vaš tračna žaga ima mizo s kontrolo nagiba. Osrednja ploščica, ki je vgrajena v mizo v tovarni, omogoča odmik rezila.

### SKALA IN KAZALEC SKALE

Skala in kazalec skale kažeta kot ali stopinje nagnjenosti mize za poševno rezanje.

### ROČICA ZA FIKSIRANJE MIZE

Sprostitev ročice za fiksiranje mize omogoča nagibanje mize pod različnimi koti. Zategovanje ročice za fiksiranje mize fiksira mizo v določenem položaju.

### GUMB ZA NASTAVITEV TEKA

Prilagodite tek lista, da bo list na sredini koles.

### OKNO ZA OGLED TEKA LISTA

Okno za ogled teka lista omogoča, da lažje vidite prilagoditve teka lista.

### PRITISNA LETEV

Vedno uporabite potisno palico za potiskanje obdelovanca, vse dokler ni odstranjen z mize.

### SEZNAM NEPRITRŽENIH DELOV

Opis	Kol.
Podložke	7
Ročica za fiksiranje mize	1
Šestrobi ključ , 3 mm	1
Šestrobi ključ , 4 mm	1
Šestrobi ključ , 5 mm	1
Merilec za poševno rezanje	1
Slepe matice	4
Noge	4
Miza žage	1
Pritrdilni vijaki	2
Šestrobe matice	2
Podpora podaljška	1
Stransko vodilo	1
Pritisna letev	1
Navodila za uporabo	1

### MONTAŽA

#### RAZPAKIRANJE

Pri tem izdelku je potrebna montaža.

- Previdno dvignite izdelek iz kartona in ga postavite na ravno delovno površino.

#### **▲ OPOZORILO**

Izdelka ne uporabljajte, če so kateri deli s seznama nepritrženih delov že nameščeni na vašem izdelku ob razpakiranju. Deli, navedeni na tem seznamu, niso tovarniško nameščeni na izdelku in jih mora namestiti kupec. Uporaba izdelka, ki je morda bil nepravilno sestavljen, lahko povzroči hude telesne poškodbe.

## Slovensko (Prevod originalnih navodil)

- Skrbno preglejte napravo, da se prepričate, da med transportom ni prišlo do lomov ali poškodb. **OPOMBA:** Ta žaga je bila odposlana brez nastavljenega napetosti lista. Ne vklopite žage dokler napetost lista ni pravilno nastavljena.
- Embalaže ne zavržite, dokler naprave skrbno ne pregledate in preverite, če pravilno deluje.
- Če je kateri koli del poškodovan ali manjka, pokličite servisni center za pomoč.

### ⚠ OPOZORILO

Če je kateri koli del poškodovan ali manjka, ne uporabljajte tega izdelka, dokler deli niso zamenjani. Uporaba tega izdelka s poškodovanimi ali manjkajočimi deli lahko povzroči hude telesne poškodbe.

### ⚠ OPOZORILO

Tega orodja ne spreminjajte in ne izdelujte dodatkov, ki niso priporočljivi za uporabo s tem orodjem. Vsako tako spreminjanje je zloraba in lahko privede do tveganj, ta pa do hudih osebnih poškodb.

### ⚠ OPOZORILO

Ne priključite na napajanje, dokler montaža ni zaključena. Neupoštevanje navodil lahko privede do nehotenega zagona in morebitnih hudih telesnih poškodb.

### MONTAŽA IZDELKA NA DELOVNO MIZO

Če se bo izdelek uporabljal na stalni lokaciji, mora biti pritrjen na čvrsto nosilno površino, kot je delovna miza. Za ta namen so v podstavku žage štiri luknje za vijake. Vijaki (niso priloženi) morajo biti dovolj dolgi, da gredo skozi podstavek žage, fiksirne podložke (niso priložene), šestrobe matice (niso priložene) in debelino delovne mize. Varno privijte vse štiri vijake.

Po namestitvi skrbno preverite delovno mizo in se prepričajte, da med uporabo ne more priti do premikanja. Če opazite nagibanje, drsenje ali premikanje, pred uporabo pričvrstite delovno mizo na tla.

- Napravo postavite na delovno mizo. Uporabite podstavek žage kot vzorec ter določite in označite luknje za pritrnitev izdelka.
- Izvrtajte luknje v delovno mizo.
- Postavite tračno žago na delovno mizo, tako da poravnate luknje v podstavku žage z luknjami izvrtanimi v delovni mizi.
- Vstavite vijake (niso priloženi) in jih privijte s fiksirnimi podložkami in šestrobimi maticami (niso priložene). **OPOMBA:** Vse vijake je treba vstaviti od zgoraj.

Fiksirne podložke in šestrobe matice namestite s spodnje strani mize.

### VPENJANJE IZDELKA NA DELOVNO MIZO

*Glejte sliko 4.*

Če se bo izdelek uporabljal kot prenosno orodje, je priporočljivo, da ga trajno pritrdite na montažno ploščo, ki se lahko enostavno vpne na delovno mizo ali drugo nosilno površino. Montažna plošča mora biti dovolj velika, da se prepreči nagibanje žage med uporabo. Priporoča se kakovostna vezana ali iverna plošča debeline 19 mm.

Če uporabljate vijake s šestrobo glavo, poskrbite, da so dovolj dolgi, da gredo skozi luknje v podstavku žage in material, na katerega bo žaga nameščena. Če uporabljate strojne vijake, poskrbite, da so dovolj dolgi, da gredo skozi luknje v podstavku žage, material, na katerega se žago montira, fiksirne podložke in šestrobe matice.

### OPOMBA: MORDA BO TREBA ŠESTROBE MATICE IN PODLOŽKE PRIVITI NA SPODNJI STRANI MONTAŽNE PLOŠČE.

- Montirajte žago na ploščo s pomočjo lukenj v podstavku žage, ki naj služijo kot vzorec za luknje. Določite in označite luknje, kjer bo tračna žaga pričvrščena.
- Sledite zadnjim trem korakom v razdelku Montaža izdelka na delovno mizo, ki so prikazani zgoraj.

### MONTAŽA MIZE ŽAGE

*Glejte slike od 5, 7.*

- Odstranite profilno matico, podložke in krilati vijak z mize žage.
- Stojte na sprednji strani tračne žage in potisnite mizo žage mimo lista in skozi režo, ki se giblje z desne strani mize na levo.
- Držite mizo žage z levo roko, medtem ko potegnete gumb za nastavitev kota stran od okvirja žage in poravnajte zobe na kotniku mize z zobmi na gumbu za nastavitev kota. Sprostite gumb.
- Namestite zatiče na okvirju v reže kotnika mize.
- Vstavite podložko na navojni konec ročice za fiksiranje mize. Pričvrstite mizo žage na okvir žage z vrtenjem ročice za fiksiranje mize v smeri urinega kazalca.
- Pritrdite profilno matico, podložke in krilati vijak na mizo žage.

**OPOMBA:** Krilati vijak gre pod mizo.

### NAMEŠČANJE PODPORE ZA RAZŠIRITEV

*Glejte sliko 6.*

- Vstavite cevi za podporo za razširitev v luknje v podstavku žage z zadnje strani.
- Poravnajte luknje na ceveh s tistimi na podstavku žage.

## Slovensko (Prevod originalnih navodil)

- Vstavite pritrdilne vijake in pričvrstite s podložkami in sestrobimi maticami.

### PORAVNAVA MIZE NA LIST

Glejte slike od 8 do 9.

- Obrnite gumb za fiksiranje v nasprotni smeri urinega kazalca, da odklenete sestav vodil lista. Obrnite gumb za prilagajanje vodil lista v smeri urinega kazalca in dvignite sestav vodil lista, kolikor je mogoče. Obrnite gumb za fiksiranje v smeri urinega kazalca in pritegnite.
- Postavite majhno kotno kombinacijsko ravnilo na mizo poleg lista.
- Popustite ročico za fiksiranje mize in zavrtite gumb za nastavitev kota za nagibanje mize navzgor ali navzdol, da poravnate mizo 90° glede na list (položaj 0°). Zategnite ročico za fiksiranje mize.
- Obrnite vijak za prilagajanje, dokler se vijak rahlo ne dotakne ohišja žage.
- Preverite pravokotnost mize na list. Prilagodite, če je potrebno.
- Nastavite kazalec skale na nič in privijte vijak s križnim izvijačem.

**OPOMBA: Vedno naredite testni rez, da preverite pravokotnost lista pred začetkom vsakega novega projekta.** Če list ni pravokoten, bo za prilagoditev morda potrebno zrahljati vijake pod mizo žage (reža zajere mora biti vzporedna z listom). Ko je pravokoten, ponovno pritegnite vijake.

### NASTAVITEV NAPETOSTI LISTA

Glejte slike od 10-11.

- Izklopite napravo.
- Pred uporabo žage obrnite gumb za nastavitev napetosti lista na vrhu žage v smeri urinega kazalca, da nastavite napetost.
- OPOMBA: Napetost lista lahko prilagodite kadarkoli.
- Med vrtenjem gumba za nastavitev napetosti potegnite po zadnjem ravnem robu lista, kot bi bil struna kitare.

Ko se napetost povečuje, zvok postane višji. Nikoli ne povečajte napetosti lista do te mere, da bi popolnoma stisnili vzmet. Če je vzmet popolnoma stisnjena, ne more več delovati kot blažilnik.

Preveč napetosti lahko povzroči, da list počí. Debelejši obdelovanci zahtevajo višjo napetost; vsi kosi ne potrebujejo največje napetosti. Premajhna napetost lahko povzroči zdrs lista s koles.

### NASTAVITEV TEKA LISTA

Glejte sliko 11.

Preden prilagodite tek lista, najprej nastavite ustrezno napetost. Preverite, da vodila lista ne motijo lista. Vdolbina

med zobmi lista (najgloblji del zob lista) mora biti na sredini gumijastega vodila.

### Za prilagajanje:

Izključite iz napajanja. Odprite sprednja vratca tako, da odvijete vijak za zaščitna vratca. Glejte položaj lista na zgornjem gumijastem vodilu, medtem ko z roko počasi vrтите zgornje kolo v smeri urinega kazalca. Če se list odmakne od središča gumijastega vodila, je potrebno tek lista prilagoditi.

### Če se list premakne levo ali desno od središča:

- Obrnite gumb za tek lista (v smeri urinega kazalca, če se je list premaknil levo; v nasprotni smeri urinega kazalca, če se je list premaknil desno), medtem ko vrтите kolo z roko, dokler se list ne pomakne nazaj in vrți na sredini gumijastega vodila.
- Preverite položaj lista na spodnjem gumijastem vodilu. List mora biti povsem na gumijastem vodilu (vdolbina med zobmi lista v središču). Če ni, nastavite tek lista, tako da bo list na obeh gumijastih vodilih.
- Zavrtite zgornje kolo z roko v smeri urinega kazalca za še nekaj obratov. Prepričajte se, da je list ostal na istem mestu na gumijastih vodilih. Če je potrebno, prilagodite, dokler list ne teče pravilno.
- Zaprite sprednja vratca in privijte vijak za zaščitna vratca.
- Vključite napravo.
- Preverite, da list teče po sredini gumijastega vodila (skozi okno za ogled teka lista). Če ni, ponovite zgornje korake.

### ⚠ OPOZORILO

Vodila lista so tovarniško prednastavljena. Te nastavitve so primerne za nekatere vrste uporabe. Priporočamo, da pred prvo uporabo vaše žage preverite in prilagodite nastavitve vodil lista. Glejte postopke za "Prilagoditev podpore vodila lista in aksialnih ležajev", navedene v razdelku "Prilagoditve" v teh navodilih za uporabo.

### NAMESTITEV STRANSKEGA VODILA

- Postavite stransko vodilo na levo stran mize, tako da je ročica za fiksiranje spredaj.
- Potisnite ročico navzdol, da fiksirate položaj stranskega vodila.
- Obrnite ročico, da prilagodite tesnost spon.



## Slovensko (Prevod originalnih navodil)

### DELOVANJE

#### **⚠ OPOZORILO**

Ne dovolite si, da bi bili zaradi dobrega poznavanja naprave nepazljivi. Zapomnite si, da lahko že trenutek nepazljivosti povzroči težko poškodbo.

#### **⚠ OPOZORILO**

Vedno nosite zaščito za oči. Če tega ne storite, vam lahko v oko prileti predmet in povzroči resno poškodbo.

#### **⚠ OPOZORILO**

Ne uporabljate priključkov ali dodatkov, ki jih proizvajalec tega izdelka ne priporoča. Uporaba sestavnih delov ali pribora, ki niso priporočeni, lahko povzroči hude telesne poškodbe.

#### **⚠ OPOZORILO**

Da bi se izognili stiku z listom, nastavite sestav vodil lista, tako da gre tik mimo obdelovanca. Neupoštevanje tega nasveta lahko povzroči hude telesne poškodbe.

#### **⚠ OPOZORILO**

Nikoli ne uporabljajte izdelka, če varovalo lista ni nameščeno in sprednja vratca niso fiksirana. V nasprotnem primeru lahko pride do hudih telesnih poškodb.

### OSNOVNO DELOVANJE TRAČNE ŽAGE

Tračna žaga je v bistvu naprava za rezanje krivulj, ki se lahko uporablja tudi za žaganje ravnih linij, kot je prečno žaganje, zajere, poševno in sestavljeno žaganje in dodatno žaganje. Pri uporabi tračne žage za žaganje ravnih linij lahko uporabnik namestiti vodilo, tako da uporabi kos lesa ustrezne velikosti, ki se na mizo pritrdi s "C" sponami. Ni možno izvajati notranjih rezov ali rezov, ki ne gredo povsem skozi obdelovanec.

Pred začetkom žaganja opazujte delovanje naprave. Če zaznate prekomerne vibracije ali nenavaden zvok, takoj prenehajte. Izklopite napravo in jo izključite iz napajanja. Ne zaženite je ponovno, dokler ne odkrijete in popravite težave.

### METODE REZANJA

- Obdelovanec vedno trdno pritisnite ob mizo.
- Obdelovance na list prislonite z nežnim pritiskom in z

obema rokama. Ne uporabljajte sile; pustite listu, da žaga.

- Najmanjši premer kroga, ki ga je možno žagati, določa širina rezila. Rezilo širine 6,35 mm bo žagalo najmanjši premer 38 mm.
- Držite roke proč od rezila. Ne držite kosov, ki so tako majhni, da vam gredo prsti lahko pod varovalo lista.
- Izogibajte se nerodnim operacijam in položajem rok, kjer bi nenaden zdrs lahko povzročil resne poškodbe v stiku z listom. Nikoli ne položite roke na pot lista.
- Uporabite dodatne podpore (mize, kože za žaganje, bloke itd.) pri rezanju velikih ali majhnih obdelovancev ali obdelovancev nerodnih oblik.
- Nikoli ne uporabite osebe kot nadomestek za podaljšek mize ali kot dodatno podporo za obdelovanec, ki je daljši ali širši od osnovne mize žage.
- Pri rezanju obdelovancev nepravilnih oblik načrtujte delo tako, da ne bo prišlo do stiska lista. Na primer, oblikovani kos mora ležati vodoravno na mizi. Obdelovanci se med žaganjem ne smejo sukati, premikati ali zdrsni.

Pri podpiranju obdelovanca se lahko list zaustavi v rezu. To se običajno zgodi, ker žagovina zamaši rez, oziroma ko rezilo izstopi iz vodil. Če se to zgodi:

- Izklopite napravo. Počakajte, da se žaga popolnoma zaustavi. Izklopite napravo iz vira napajanja.
- Odprite rez s ploščatim izvijačem ali leseno zagozdo.
- Odprite sprednja vratca in obrnite zgornje kolo z roko, medtem ko podprete obdelovanec.

### OLAJŠEVALNI REZI

Olajševalni rezi so potrebni, ko se žaga zapletena krivulja (premajhen radij za list). Zarežite skozi odpadni del obdelovanca, da oblikujete linijo vzorca, in nato previdno potegnite rezilo nazaj ven. Za zapletene krivulje je potrebnih več olajševalnih rezov preden sledite liniji vzorca, saj deli, ki so odrezani od krivulje, "olajšajo" pritisk na list.

### REZBARJENJE

Za splošno rezanje krivulj, sledite liniji vzorca, tako da obdelovanec hkrati potiskate in obračate. Ne poskušajte obrniti obdelovanca med žaganjem ne da bi ga potisnili - obdelovanec se lahko zaustavi ali zvije list.

### ODSTRANJEVANJE ZAGOZDENEGA MATERIALA

Nikoli ne odstranjujte zagozdenih odžaganih kosov, dokler se žaga popolnoma ne zaustavi.

- Izklopite napravo. Počakajte, da se žaga popolnoma zaustavi.
- Pred odstranjevanjem zagozdenega materiala izključite izdelek iz vira napajanja.



## Slovensko (Prevod originalnih navodil)

### IZOGIBANJE POŠKODBAM

- Poskrbite, da žaga stoji vodoravno in da se ne ziba. Žaga mora biti vedno na trdni ravni površini z veliko prostora za obdelavo in ustrezno podporo obdelovanca.
- Pričvrstite žago na podporno površino, da preprečite zdrs ali premikanje med operacijami, kot je rezanje dolgih, težkih plošč.
- Preden žago premaknete, jo izklopite in izključite iz vira napajanja.
- Ne odstranjujte zagozdenih odžaganih kosov, dokler se žaga popolnoma ne zaustavi.
- Uporabite primerno velikost in vrsto lista za material in vrsto reza, ki ga nameravate izvesti.
- Prepričajte se, da zobje lista kažejo navzdol proti mizi, da so vodila lista, aksialni ležaji in napetost lista pravilno nastavljeni, da je gumb vodila lista zategnjen in da noben del ni pretirano ohlapen.
- Da bi se izognili nenamernemu stiku z listom, zmanjšali lomljenje lista ter zagotovili maksimalno podporo lista, vedno naravnajte sestav vodil lista tako, da gre tik mimo obdelovanca.
- Uporabljajte le priporočene dodatke.
- Preden vklopite žago, odstranite z mize vse razen obdelovanca in povezanih podpornih naprav.
- Ustrezno podprite okrogle materiale, kot so klini ali cevi, ker se lahko odkotalijo med žaganjem in povzročijo, da rezilo "ugrizne". Da bi to preprečili, vedno uporabite "V" blok ali vrnite obdelovanec na merilec za poševno rezanje.
- Pred odstranitvijo ohlapnih kosov z mize žage izklopite žago in počakajte, da se vsi gibljivi deli zaustavijo.

### VKLOP/IZKLOP NAPRAVE

Glejte sliko 12.

- Napravo vklopite s pritiskom na gumb "I".
- Napravo izklopite s pritiskom na gumb "O".

### PREDEN ZAPUSTITE NAPRAVO

Glejte sliko 12.

- Izklopite napravo. Počakajte, da se žaga popolnoma zaustavi.
- Izklopite napravo iz vira napajanja.
- Poskrbite, da je delavnica varna za otroke.
- Sprostite napetost lista z uporabo ročice za napetost lista Rapidset™ za podaljšanje življenjske dobe lista.
- Zaklenite delavnico.

### VKLOP/IZKLOP DELOVNE LUČI

Glejte sliko 13.

- Delovno luč vklopite s pritiskom na gumb "☀".
- Delovno luč izklopite s pritiskom na gumb "O".

### NAGIBANJE MIZE

Glejte sliko 14.

- Rahlo popustite gumb za fiksiranje mize.
- Obrnite gumb za nastavitev kota in nagnite mizo, dokler ne dosežete želenega kota.
- Z uporabo kazalca skale preverite oznake kota.
- Ponovno privijte gumb za fiksiranje mize za varno fiksiranje mize.

### UPORABA MERILCA ZA POŠEVNO REZANJE

Glejte slike od 15 do 16.

Merilec za poševno rezanje se lahko nastavi največ 60° na desno ali levo.

- Popustite gumb za fiksiranje na merilcu za poševno rezanje.
- Merilec za poševno rezanje vstavite v režo in ga obračajte, dokler ne dosežete želenega kota na skali.
- Ponovno privijte gumb za fiksiranje.

### UPORABA STRANSKEGA VODILA

Stransko vodilo se uporablja za vse operacije vzporednega žaganja. Takšnih operacij nikoli ne opravljajte brez pravilno postavljenega in pričvrščenega vodila.

- Postavite vodilo na želeno širino za vzporedno žaganje in ga fiksirajte.
- Pred začetkom žaganja se pripravite, da je stransko vodilo vzporedno z listom žage. Pri vzporednem žaganju dolgih desk ali velikih plošč vedno uporabite delovno podporo.
- Kos držite ob vodilu in ga enakomerno potisnite ob list žage s stalnim pritiskom.

### NASTAVITVE

#### ⚠ OPOZORILO

Pred izvedbo kakršne koli prilagoditve se pripravite, da je naprava izključena iz vira napajanja in da je stikalo v položaju izklopa. Če tega opozorila ne upoštevate, lahko pride do hudih osebnih poškodb.

#### ⚠ OPOZORILO

Da bi se izognili telesnim poškodbam, pazite na ustrezno prilagoditev napetosti, teka, vodil lista in aksialnih ležajev.



## Slovensko (Prevod originalnih navodil)

### NAMESTITEV IN NASTAVITEV LISTA

Glejte sliko 17.

- Popustite krilati vijak, podložke in profilno matico na mizi in jih odstranite.
- Odprite sprednja vratca, tako da odvijete vijak za zaščitna vratca.
- Obrnite gumb za fiksiranje v nasprotni smeri urinega kazalca, da odklenete sestav vodil lista. Z obračanjem gumba za vodila lista (z vrtenjem v smeri urinega kazalca se sestav vodil lista dvigne višje, v nasprotni smeri pa spusti) postavite sestav vodil lista približno na polovico med mizo in ohišje žage. Ponovno privijte gumb za fiksiranje.
- Odprite varovalo lista, tako da levo stran varovala potegnete ven in stran od kolesa.
- Sprostite vso napetost lista.
- Previdno odstranite stari list.
- Z rokavicami previdno odvijte nov list na dolžino rok. Če je bil nov list naoljen za preprečitev rjavenja, ga je morda treba obrisati, da olje ne pride na obdelovanec. Previdno obrišite v isto smer, v katero so obrnjeni zobje, tako da se krpa ne ujame na zobe lista.

**OPOMBA:** List je morda treba obrniti navzven, če so zobje obrnjeni v napačno smer. Držite list z obema rokama in ga zavrtite navznoter.

- List z zobmi, obrnjenimi na levo stran žage in navzdol, položite preko spodnjih vodil lista in okoli obeh koles.
- Počasi zavrtite zgornje kolo v desno ali v smeri urinega kazalca, da centrirate list na gumijasta vodila.
- Ponovno nastavite ročico za napetost lista RapidSet™ in nato prilagodite napetost lista; preverite ali prilagodite tek lista.
- Nastavite zgornje in spodnje vodilo lista in aksialne ležaje, kot je pojasnjeno v nadaljevanju teh navodil za uporabo.
- Ponovno privijte krilati vijak, podložke in profilno matico. Privijte jih varno.
- Zaprite varovalo lista in sprednja vratca. Privijte vijak za zaščitna vratca.

### PRILAGODITEV SESTAVA VODILA LISTA

Glejte slike od 18 do 19.

Da bi preprečili zvijanje ali lom lista, mora biti sestav vodil lista vedno nameščen približno 3,2 mm nad obdelovancem.

- Obrnite gumb za fiksiranje v nasprotni smeri urinega kazalca, da odklenete sestav vodil lista.
- Kot vodilo, uporabite ostanek istega lesa, ki ga boste žagali, in s tem nastavite višino sestava vodila lista. Sestav vodil lista prilagodite z gumbom za vodila lista.
- Fiksirajte sestav vodil lista, tako da gumb za fiksiranje

vrтите v smeri urinega kazalca.

- Vedno fiksirajte sestav vodil lista pred vklopom tračne žage.

### PRILAGODITEV PODPORE VODILA LISTA IN AKSIALNIH LEŽAJEV

Glejte slike od 20 do 21.

**OPOMBA:** Privijte gumb za fiksiranje in si pred izvajanjem prilagoditev oglejte postopke v poglavjih "Prilagajanje napetosti lista" in "Nastavitev teka lista", ki so razloženi v razdelku MONTAŽA teh navodil za uporabo.

Zgornji in spodnji aksialni ležaj lista podpirata in vodita list žage med žaganjem. Prilagoditev ležajev in vodil je treba preveriti vedno, ko se namesti drugačen list.

#### Za prilagoditev aksialnih ležajev:

Aksialni ležaji podpirajo zadnji rob lista med žaganjem. List ne sme priti v stik z aksialnimi ležaji, ko prenehate z žaganjem. Pomembno je, da se enako prilagodita zgornji in spodnji aksialni ležaj.

- Odprite sprednja vratca in varovalo lista.
- Z uporabo šestrobega ključa popustite vijake zgornjega in spodnjega aksialnega ležaja in ležaja potisnite na zadnjo stran žage.
- Preverite, ali list pravilno teče, nato pa potisnite aksialni ležaj naprej, dokler ni v območju 0,4 mm od lista. Varno privijte vijak aksialnega ležaja.
- Potisnite spodnji ležaj naprej, dokler nima ustreznega odmika. Varno privijte vijak aksialnega ležaja.

#### Za prilagoditev podpore vodila lista:

- Popustite vijake podpore vodila lista in sklopa vodila lista z uporabo šestrobih ključev.
- Potisnite zgornjo podporo vodil lista na gred, dokler se sprednji rob vodil ne dotakne žaginega lista za vdolbino. Varno privijte vijak.
- Potisnite desno vodilo, da pride v stik z listom in spustite. Počasi zavrtite kolo za en poln obrat. Privijte vijake za sklop vodil lista.
- Prilagodite levo stransko vodilo, da omogočite razmik 0,4 mm med listom in vodilom (približno debeline igralne karte), in sicer tako da vstavite igralno karto med levo vodilo in list.
- Pritisnite na zatič levega vodila, da igralna karta ostane na mestu. Privijte vijak sklopa in odstranite igralno karto.
- Z roko zavrtite tri polne obrate, da zagotovite, da se list ne bo zaustavljal.
- Zaprite varovalo lista in sprednja vratca. Fiksirajte z vijakom.

Postopek ponovite za spodnjo podporo vodil lista.







## Slovensko (Prevod originalnih navodil)

### PRILAGAJANJE STRANSKEGA VODILA

- Sprostite ročico za fiksiranje, tako da jo obrnete v nasprotni smeri urinega kazalca.
- Premaknite stransko vodilo v zeleni položaj.
- Potisnite ročico navzdol, da fiksirate položaj stranskega vodila.
- Obmrite ročico, da prilagodite tesnost spon.

### VZDRŽEVANJE

#### ⚠ OPOZORILO

Ob servisiranju uporabljajte samo identične nadomestne dele. Uporaba drugih delov lahko pomeni tveganje ali povzroči škodo na izdelku.

#### ⚠ OPOZORILO

Med delovanjem naprave vedno nosite zaščitna očala. Če pri delu nastaja prah, nosite tudi zaščitno masko proti prahu.

#### ⚠ OPOZORILO

Pred izvedbo kakršnega koli vzdrževanja, se prepričajte, da je naprava izključena iz vira napajanja in da je stikalo v položaju izklopa. Če tega opozorila ne upoštevate, lahko pride do hudih osebnih poškodb.

### SPLOŠNO VZDRŽEVANJE

Pri čiščenju plastičnih delov se izogibajte topilom. Večina vrst plastike se poškoduje, če uporabljate različne vrste komercialnih topil. Uporabite čiste krpe za odstranjevanje prahu, umazanje, olja, masti itd.

#### ⚠ OPOZORILO

Zavorna tekočina, gorivo, izdelki na osnovi nafte, prodirajoče olje ipd. nikoli ne smejo priti v stik s plastičnimi deli. Kemikalije lahko poškodujejo, oslabijo ali uničijo plastiko, kar lahko ima za posledico tudi resne telesne poškodbe.

- Poskrbite, da je naprava čista.
- Pogosto odstranjajte žagovino iz notranjosti naprave.
- Ne dovolite, da se smola nakopiči na mizi, vodilnih lista ali aksialnih ležajih. Očistite jo z izdelkom za odstranjevanje smole in lepil.
- Nanesite tanek sloj voska za avtomobile na vrh mize, tako da bo les med žaganjem gladko zdrsnil.

### Mazanje

Vsi ležaji na tej napravi so namazani z dovolj kakovostnega maziva, tako da mazanje do konca življenjske dobe naprave ni več potrebno, če le-to normalno uporabljate. Zato dodatno mazanje ni potrebno.

### GUMIJASTA VODILA

#### Čiščenje gumijastih vodil:

- Na gumijastih vodilih se nabirata smola in žaganje, ki ju je treba odstraniti s fino žično krtačo ali s kosom lesa. **Ne uporabljajte ostrega noža ali kakršnega koli topila.**

#### Zamenjava gumijastih vodil:

- Odprite sprednja vratca in odstranite list žage. Glejte poglavje "Namestitev in nastavev lista".
- Previdno dvignite obrabljeno gumijasto vodilo s kolesa.
- Napnite novo vodilo okoli kolesa.
- Zamenjajte list žage in zaprite sprednja vratca.

### ŠČETKA

Glejte sliko 22.

V notranjosti ohišja žage poleg kolesa se nahaja ščetka. Ta z odstranjevanjem žagovine pomaga zaščititi gumijasto vodilo in kolo. Ko se ščetka obrabi, jo je treba prilagoditi ali zamenjati.

- Odstranite vijak in podložko in nato odstranite ščetko.
- Postavite novo ščetko v utor.
- Ponovno namestite z uporabo podložke in vijaka.

### TRANSPORT IN SKLADIŠČENJE

Glejte slike od 23 do 24.

- Pri transportu izdelka izključite napajalni kabel, spustite varovalo rezila in snemite napravo. Shranite potisno palico na strani zgornjega ohišja. Dvignite napravo za zgornje ohišje, kot je prikazano na sliki. Izdelek shranjujte v varnem prostoru izven dosega otrok.
- Izdelek pred skladiščenjem očistite s pomočjo krtače in sesalca.

### ZAŠČITA OKOLJA



Namesto, da napravo zavržete, reciklirajte surovine. Napravo, pribor in embalažo je treba sortirati za okolju prijazno recikliranje.



## Slovensko (Prevod originalnih navodil)

### SIMBOL



Varnostno opozorilo



Skladnost CE



Pred zagonom naprave pozorno preberite navodila.



Nosite zaščito za oči



Nosite zaščito za ušesa



NEVARNOST! Ostro rezilo.



Zaklenjeno



Odklenjeno



Največja globina rezanja



Največja širina rezanja



Največji kot rezanja



Hitrost delovanja



Velikost rezila



Pred vzdrževanjem je treba orodje izklopiti iz vira napajanja.



Odpadne električne izdelke ne odlagajte skupaj z ostalimi gospodinjstvi odpadki. Reciklažo opravljajte na predpisanih mestih. Za nasvet se obrnite na lokalne oblasti.



## Slovensko (Prevod originalnih navodil)

### ODPRAVLJANJE TEŽAV

Težava	Možni vzroki	Rešitev
Motor ne deluje	<ol style="list-style-type: none"> <li>Težave s stikalom za vklop/ izklop ali napajalnim kablom.</li> <li>Motor v okvari.</li> <li>List se zaustavlja.</li> </ol>	<ol style="list-style-type: none"> <li>Pred ponovno uporabo izdelka zamenjajte obrabljene dele.</li> <li>Ne poskušajte popravljati. Orodje naj popravi pooblaščen oseba.</li> <li>Odstranite zagodeni material.</li> </ol>
List ne teče v približni sredini zgornjega kolesa.	<ol style="list-style-type: none"> <li>Nepravilen tek lista.</li> </ol>	<ol style="list-style-type: none"> <li>Prilagodite tek lista, glejte "Nastavitev teka lista" v razdelku PRILAGODITVE.</li> <li>Če sta poškodovana, naj ju takoj zamenja pooblaščen serviser.</li> </ol>
Tračna žaga se pri žaganju upočasni.	<ol style="list-style-type: none"> <li>Žaganje premajhnega radija.</li> <li>List je top.</li> </ol>	<ol style="list-style-type: none"> <li>Prenehajte z dodajanjem obdelovanca in ga umaknite malo nazaj, dokler tračna žaga ne pospeši.</li> <li>Zamenjajte list.</li> </ol>
List je počen.	<ol style="list-style-type: none"> <li>Prevelika napetost lista.</li> <li>Poškodba lista zaradi žaganja premajhnega radija ali zaradi prehitrega obračanja materiala pri žaganju.</li> <li>Aksialni ležaji so obrabljeni ali se ne vrtijo.</li> </ol>	<ol style="list-style-type: none"> <li>Prilagodite napetost. Glejte poglavje PRILAGODITVE: "Nastavitev napetosti lista".</li> <li>Uporabite pravilno tehniko žaganja. Glejte poglavje Operacije.</li> <li>Zamenjajte aksialne ležaje.</li> </ol>
Izdelek je med obratovanjem glasen.	<ol style="list-style-type: none"> <li>Prevelika napetost lista.</li> <li>Vodila lista in ležaji so v stiku z listom.</li> </ol>	<ol style="list-style-type: none"> <li>Prilagodite napetost. Glejte poglavje PRILAGODITVE: "Nastavitev napetosti lista".</li> <li>Nastavite zgornje in spodnje vodilo lista in ležaje. Glej poglavje PRILAGODITVE: "Prilagoditev aksialnih ležajev in podpore vodil lista".</li> </ol>
List ne reže ravno.	<ol style="list-style-type: none"> <li>Vodila lista in ležaji niso pravilno nastavljeni.</li> <li>List je obrabljen ali okvarjen.</li> </ol>	<ol style="list-style-type: none"> <li>Nastavite zgornje in spodnje vodilo lista in ležaje. Glej poglavje PRILAGODITVE: "Prilagoditev aksialnih ležajev in podpore vodil lista".</li> <li>Zamenjajte list.</li> </ol>
Vodila lista ne ostanejo v določenem položaju.	<ol style="list-style-type: none"> <li>Vijaki vodil lista so popustili.</li> </ol>	<ol style="list-style-type: none"> <li>Varno privijte vijake za vodila lista.</li> </ol>
Motor deluje, vendar se list ne obrača.	<ol style="list-style-type: none"> <li>Napetosti ni pravilno nastavljena.</li> <li>Pogonski jermen je poškodovan.</li> </ol>	<ol style="list-style-type: none"> <li>Uporabite ročico za napetost lista in nastavite napetost.</li> <li>Če sta poškodovana, naj ju takoj zamenja pooblaščen serviser.</li> </ol>





## Slovenčina (Preklad z pôvodných inštrukcií)

### POPIS

- |  |  |
|--|--|
| 1. Gombík napínania pílového pásu                      | 53. Zamknuté                                   |
| 2. Zaisťovacia skrutka krytu                           | 54. Prítláčné ložisko                          |
| 3. Kontrolné okienko                                   | 55. Skrutka prítláčného ložiska                |
| 4. Pracovné svetlo                                     | 56. Skrutka opory vodidla pílového pásu        |
| 5. Kryt ostria   | 57. Opora horného vodidla pílového pásu        |
| 6. Čepeľ píly  | 58. Vodidlo pílového pásu                      |
| 7. Mierka nastavenia pokosu                            | 59. Nastavovacia skrutka vodidla pílového pásu |
| 8. Otvor na odsávanie prachu                           | 60. Skrutka vodidla pílového pásu              |
| 9. Ukazovateľ mierky                                   | 61. Opora spodného vodidla pílového pásu       |
| 10. Gombík na nastavenie uhla                          | 62. Keška                                      |
| 11. Stupnica   | 63. Podložka                                   |
| 12. Nastavovacia páčka stola                           | 64. Skrutky                                    |
| 13. Zaisťovací gombík                                  | 65. Plášť kolesa                               |
| 14. Nastavovací gombík vodidla pílového pásu           |  |
| 15. Páka napínania pílového pásu                       |  |
| 16. Rezná podložka                                     |  |
| 17. Gombík na upnutie pásu                             |  |
| 18. Hlavný spínač                                      |  |
| 19. Stôl píly  |  |
| 20. Predný spodný kryt                                 |  |
| 21. Predný horný kryt                                  |  |
| 22. Právítko na pozdĺžne rezanie                       |  |
| 23. Vypínač pracovného svetla                          |  |
| 24. Pretláčacia tyč                                    |  |
| 25. Krížový skrutkovač (nie je súčasťou balenia)       |  |
| 26. Nastavovací kľúč (nie je súčasťou balenia)         |  |
| 27. Malý kombinovaný uhlomer (nie je súčasťou balenia) |  |
| 28. Šesťhranný kľúč , 3 mm                             |  |
| 29. Šesťhranný kľúč , 4 mm                             |  |
| 30. Šesťhranný kľúč , 5 mm                             |  |
| 31. Podložka   |  |
| 32. Uzavretá matice                                    |  |
| 33. Podložky   |  |
| 34. Nožičky  |  |
| 35. Poistné skrutky                                    |  |
| 36. Šesťhranné matice                                  |  |
| 37. Prídavná podpera                                   |  |
| 38. Otvory v základni píly                             |  |
| 39. D-matica   |  |
| 40. Krídlová skrutka                                   |  |
| 41. Uholová podpera stola píly                         |  |
| 42. Vodidlo pílového pásu                              |  |
| 43. Nastavovacia skrutka                               |  |
| 44. Na zníženie napnutia                               |  |
| 45. Na zvýšenie napnutia                               |  |
| 46. Zaisťovací gombík                                  |  |
| 47. Drážka na mierku pokosu                            |  |
| 48. Skrutky s krížovou drážkou                         |  |
| 49. Horné koleso                                       |  |
| 50. Spodné vodidlá pílového pásu                       |  |
| 51. Spodné koleso                                      |  |
| 52. Odomknuté  |  |





## Slovenčina (Preklad z pôvodných inštrukcií)

Bezpečnosť, efektívnosť a spoľahlivosť boli prvoradé pri navrhovaní vašej pásovej píly.

### ÚČEL POUŽITIA

Pásová píla je určená na priame rezy, zakrivené rezy a kruhové rezy do dreva a drevených výrobkov.

Tento výrobok môžu používať len dospelé osoby, ktoré si prečítali a porozumeli návodu na obsluhu, rizikám a nebezpečenstvám.

Píla je určená na použitie v suchom prostredí pri vynikajúcom osvetlení okolia a primeranom vetraní.

Tento produkt je určený na použitie spotrebiteľom, musí sa používať len podľa vyššie uvedeného popisu a nie je určený na žiadny iný účel.

### VŠEOBECNÉ BEZPEČNOSTNÉ VÝSTRAHY

#### VAROVANIE

Pri používaní elektrických nástrojov je potrebné dodržiavať základné bezpečnostné opatrenia, aby sa znížilo riziko požiaru, úrazu elektrickým prúdom a poranenia osôb. Pred prácou s produktom si prečítajte všetky pokyny a odložte si tento návod.

- **Pracovisko udržiavajte v čistote.** Zaprášané plochy a stoly priťahujú poranenia.
- **Dbajte na vaše pracovné prostredie.** Nevystavujte nástroje dažďu. Nepoužívajte nástroje vo vlhkom alebo mokrom prostredí. Dbajte, aby bolo pracovisko dobre osvetlené. Nástroje nepoužívajte v blízkosti horľavých kvapalín ani plynov.
- **Chráňte sa pred úrazom elektrickým prúdom.** Vyhýbajte sa telesnému kontaktu s uzemnenými povrchmi (napríklad rúrami, radiátormi, sporákmi, chladničkami).
- **Nedovoľte, aby sa približovali iné osoby.** Nedovoľte iným osobám, najmä deťom, aby pracovali s nástrojom, dotýkali sa nástroja alebo predlžovacieho kábla a nedovoľte, aby vstupovali do pracovného prostredia.
- **Nástroje odkladajte mimo dosahu detí a iných nezaškolených osôb.** Keď sa nástroje nepoužívajú, odložte ich na suché uzamknuté miesto mimo dosahu detí.
- **Na nástroj nevyvíjajte silu.** Vykona svoju prácu lepšie a bezpečnejšie pri určenom zaťažení.
- **Používajte správny nástroj.** Nepoužívajte malé nástroje nasilu na prácu určenú pre nástroje s veľkým zaťažením. Nepoužívajte nástroje na iné ako určené účely, napríklad kotúčové píly na odvetvovanie alebo pilenie polien.

- **Primerane sa oblečte.** Nenoste voľný odev ani šperky – môžu sa zachytiť do pohybujúcich sa dielov. Pri práci v exteriéri sa odporúča používať protišmykovú obuv. Ak máte dlhé vlasy, noste ochrannú pokrývku vlasov.
- **Používajte ochranné pomôcky.** Používajte ochranné okuliare. Ak pri práci vzniká prach, použite tvárovú alebo protiprachovú masku.
- **Používajte zariadenie na odsávanie prachu.** Ak je nástroj vybavený pripojením na prostriedky na odsávanie a zber prachu, zaistite, aby boli správne pripojené a primerane sa používali.
- **Kábel nenamáhajte.** Kábel zo zásuvky neodpájajte trhnutím. Kábel nedávajte do blízkosti tepla, oleja alebo ostrých okrajov.
- **Zabezpečte obrobok.** Na pridržanie obrobku použite podľa možnosti svorky alebo zverák. Je to bezpečnejšie, ako použiť ruku.
- **Nesiahajte príliš ďaleko.** Neustále zachovávejte pevnú oporu nôh a rovnováhu.
- **Údržbu nástrojov vykonávajte opatrne.** Udržujte rezné nástroje ostré a čisté pre lepší a bezpečnejší výkon. Dodržiavajte pokyny na mazanie a výmenu príslušenstva. Pravidelne kontrolujte káble nástroja a v prípade ich poškodenia ho nechajte opraviť v autorizovanom servisnom stredisku. Pravidelne skontrolujte predlžovacie káble v prípade ich poškodenia ich vymeňte. Rukoväte udržiavajte suché a čisté, bez zvyškov oleja či maziva.
- **Odpojte nástroje.** Keď sa nástroj nepoužíva, pred servisom a pri výmene príslušenstva, napríklad kotúčov, vrtákov a nožov, odpojte nástroj z elektrickej siete.
- **Odstráňte nastavovacie klíny a kľúče.** Vytvorte si návyk vizuálnej kontroly odstránenia nastavovacích kľúčov z nástroja pred jeho zapnutím.
- **Dbajte na to, aby nedochádzalo k neúmyselnému spusteniu.** Pri zapájaní nástroja skontrolujte, či je spínač vo vypnutej polohe.
- **Používajte predlžovacie káble určené pre exteriéry.** Keď sa nástroj používa, používajte len predlžovacie káble určené pre exteriéry s príslušným označením.
- **Buďte opatrní.** Sledujte, čo robíte, používajte zdravý rozum a nepracujte s nástrojom, keď ste unavení.
- **Skontrolujte všetky poškodené časti.** Pred ďalším použitím tohto nástroja je nevyhnutné dôkladne skontrolovať, či funguje správne a vykonáva funkciu, na ktorú je určený. Skontrolujte zarovnanie pohyblivých dielov, zaseknutie pohyblivých dielov, poškodenie dielov, montáž a akékoľvek iné podmienky, ktoré by mohli ovplyvniť prevádzku nástroja. Ochranný kryt alebo iné poškodené diely treba riadne opraviť alebo vymeniť v autorizovanom servisnom stredisku, pokiaľ nie je v návode uvedené inak. Chybné spínače sa musia vymeniť v autorizovanom servisnom centre.





## Slovenčina (Preklad z pôvodných inštrukcií)

Nástroj nepoužívajte, ak spínač nezapína a nevypína nástroj.

- **Varovanie.** Používanie akéhokoľvek príslušenstva alebo doplnku, ktorý nie je odporúčený v tomto návode na použitie, môže predstavovať riziko osobného poranenia.
- **Opravu nástroja zverte kvalifikovanej osobe.** Tento elektrický nástroj spĺňa platné bezpečnostné pravidlá. Opravy môžu vykonávať len kvalifikované osoby pomocou originálnych náhradných dielov, inak by mohlo vzniknúť značné riziko pre používateľa.

### BEZPEČNOSTNÉ VÝSTRAHY PRE PÁSOVÚ PÍLU

- Pílu pevne pripevníte alebo priskrutkujte na pracovný stôl alebo k nohám stojanu približne vo výške bokov.
- Nikdy nepoužívajte výrobok na podlahe.
- Dbajte na to, aby nedochádzalo k nepohodlným operáciám a takým polohám rúk, kde by náhle pokĺznutie mohlo spôsobiť vsunutie ruky do ostria. Vždy dbajte na správnu rovnováhu.
- Predtým, ako začnete rezať, nechajte, nech motor dosiahne plné otáčky, aby ste sa vyhlili jeho zablokovaniam alebo zhasnutiu.
- **Nástroj nepoužívajte, ak spínač nezapína a nevypína nástroj.** Chybné spínače sa musia vymeniť v autorizovanom servisnom centre.
- **Náhradné diely.** Všetky opravy, či už elektrické alebo mechanické, musia byť vykonávané kvalifikovaným servisným technikom v autorizovanom servisnom stredisku.
- **Pri servise používajte len originálne náhradné diely.** Použitie iných dielov môže predstavovať riziko alebo spôsobiť poškodenie produktu.
- **Ruky udržiavajte mimo dosahu priestoru rezania.** Nepridržiavajte rukou také malé diely, pri ktorých by sa vaše prsty dostali pod ochranný kryt pílového pásu. Zo žiadneho dôvodu nesiahajte pod obrobok alebo do dráhy rezného ostria rukami či prstami.
- **Nikdy nerezte naraz ani nemajte položený na stole viac ako jeden obrobok.**
- **Neposúvajte materiál príliš rýchlo.** Netlačte obrobok proti pílovému pásu.
- **Používajte len správne ostria.** Používajte správny rozmer a typ pílového pásu pre daný materiál a typ rezu. Zuby pílového pásu musia smerovať dole smerom k stolu.
- **Veľké obrobky počas rezania vždy podoprite, aby ste znížili riziko zaseknutia pílového pásu a spätného rázu.** Pri rezaní veľkých alebo ťažkých dosiek sa píla môže zošmyknúť, pohnúť alebo posunúť.

- **Neodstraňujte zakliesnené odrezky, až kým sa pílový pás nezastaví.**
- **Nepoužívajte pílové pásy, ktoré sú poškodené alebo deformované.**
- **Opotrebovanú vložku stolu vymeňte.**
- **Pri pílení dreva pripojte pílu k systému na zachytávanie prachu.**
- **Nepoužívajte tento výrobok, keď je ochranný kryt pílového pásu otvorený.**
- **Zvoľte pílový pás a rýchlosť pílenia podľa toho, aký materiál budete rezať.**
- **Nečistite pílový pás, kým je v pohybe.**
- **Pri manipulácii s pílovým pásom a nahrubo opracovaným materiálom noste rukavice.**
- **Používajte pretláčaciu tyč pri rovnom rezaní malých obrobkov s použitím vodiaceho pravitka.**
- **Výrobok pripravujte s úplne zatiahnutým ochranným krytom pílového pásu a blízko pri stole.**
- **Pri šíkkom rezaní s nakloneným stolom umiestnite vodiace pravitko na spodnú stranu stola.**
- **Používajte vhodné upínacie zariadenia pri rezaní okrúhleho reziva alebo reziva nepravidelného tvaru, aby ste zabránili pretáčaniu obrobku.**
- **Nepoužívajte ochranné kryty na manipuláciu alebo prenos**
- **Nastavte nastaviteľný ochranný kryt tak blízko k obrobku, ako sa len dá.**
- **Počas práce sa nikdy nedotýkajte ostria ani iných pohybových častí.**
- **Pred zmenou nastavenia a odstránením krytov, ochranných krytov alebo pílových pásov, odpojte pílu od zdroja napájania.**
- **Vždy upnite obrobok pevne proti stolu.**
- **Aby sa zabránilo náhodnému kontaktu s pílovým pásom, minimalizujte pretrhnutie pásu a zabezpečte maximálnu podporu pásu.** Vždy nastavte vodidlo pílového pásu tesne nad obrobok.
- **Ostria udržiavajte v čistote, ostré a s dostatočným vsadením.** Ostré čepele minimalizujú preťaženie a spútaný náraz.
- **Pred odpojením pílu vždy vypnite, aby pri jej opätovnom pripojení do siete nedošlo k neúmyselnému spusteniu.**
- **Pred vykonaním akejkoľvek činnosti s pílou skontrolujte, či pracovisko má dostatočné osvetlenie, aby ste videli na prácu a či žiadna prekážka nebráni bezpečnej prevádzke.**
- **Vodidlá pílového listu boli nastavené v závode.** Tieto nastavenia sú funkčné pre niektoré aplikácie. Odporúčame vám skontrolovať a upraviť nastavenia





## Slovenčina (Preklad z pôvodných inštrukcií)

vodidla pilového pásu ešte pred prvým použitím píly. Pozrite si postupy „Nastavenie prítlačných ložísk a opory vodidla pilového pásu“, vysvetlené v časti NASTAVENIA tohto návodu na obsluhu.

- **Náradie nepoužívajte na rezanie kovu.**
- **Tento nástroj by mal mať nasledujúce označenia:**
  - Noste ochranu zraku
  - Ruky nedávajte do blízkosti ostria.
  - Neodstraňujte zakliesnené alebo odrezané kusy, až kým sa pilový pás nezastaví.
  - Ubezpečte sa, že pilový pás je namontovaný so zubmi smerujúcimi nadol.
  - Udržiavajte správne nastavenie napnutia pilového pásu, vodidiel pilového pásu a prítlačných ložísk.
  - Nastavte horné vodidlo pilového pásu tesne nad obrobok.
  - Pri rezaní upnite obrobok pevne proti stolu.
- **Ak dôjde k poškodeniu napájacieho kábla, aby nedošlo k ohrozeniu, musí ho vymeniť výrobca alebo autorizované servisné stredisko.**
- **Uchovajte si tieto inštrukcie.** Často do neho nahliadajte a používajte ho na poučenie ostatných užívateľov. Ak niekomu nástroj požičiate, priložte k nemu aj tento návod.

### ELEKTRICKÉ

#### PREDLŽOVACIE ŠNÚRY

Použite len 3 žilové predlžovacie káble, ktoré majú 3 vidlicové uzemnené zástrčky a 3 pólové zásuvky, ktoré sú kompatibilné so zástrčkou výrobku. Keď používate elektrický nástroj vo väčšej vzdialenosti od napájania, použite predlžovací kábel s dostatočnými parametrami, aby bol schopný prenášať prúd, ktorý výrobok odoberá. Predlžovací kábel s nedostatočnými parametrami spôsobí pokles napätia vo vedení a výsledkom bude strata výkonu, čo spôsobí prehriatie motora.

Pred použitím predlžovacieho kábla, skontrolujte, či na ňom nie sú uvoľnené alebo obnažené dróty a prerušená alebo opotrebovaná izolácia.

#### VAROVANIE

Predlžovací kábel nedávajte do pracovného priestoru. Kábel umiestnite tak, aby sa nezachytil na rezive, nástrojoch či iných prekážkach, kým pracujete s elektrickým nástrojom. V opačnom prípade by mohlo dôjsť k závažnému osobnému poraneniu.

#### VAROVANIE

Pred každým použitím skontrolujte predlžovacie káble. V prípade poškodenie ihneď vymeňte. Nikdy nepoužívajte nástroj s poškodeným káblom, lebo pri dotyku s poškodenou oblasťou by mohlo dôjsť k úrazu elektrickým prúdom a následnému vážnemu poraneniu.

#### ELEKTRICKÁ PRÍPOJKA

Tento výrobok poháňa presný elektrický motor. Musí sa pripájať výhradne do zdroja napájania striedavého prúdu 220~240 V, 50 Hz (bežný rozvod domácnosti). Nikdy nepoužívajte zariadenie zapojené do jednosmerného prúdu. Výrazný pokles napätia zapríčini pokles výkonu a motor sa bude prehrievať. Ak zariadenie nefunguje po zapojení do zásuvky, dvakrát skontrolujte zdroj napätia.

#### RÝCHLOSŤ A ELEKTRICKÉ VEDENIE

Rýchlosť tohto výrobku bez záťaže je približne 11 m/s. Táto rýchlosť nie je konštantná a pri záťaži alebo nižšom napätí klesá. Pre napätie je elektrické vedenie v dielni rovnako dôležité, ako menovitý vstupný výkon motora. Vedenie určené len pre svetlá nedokáže správne utiahnuť motor elektrického nástroja. Vodič, ktorý je dostatočne dimenzovaný na krátke vzdialenosti, bude nedostatočný na dlhšie vzdialenosti. Vedenie, ktoré postačuje na jeden elektrický nástroj, nemusí byť dostatočné pre dva alebo tri nástroje.

#### POKYNY K UZEMNENIU

Tento produkt musí byť uzemnený. V prípade nefunkčnosti alebo poruchy uzemnenie poskytuje dráha pre najmenší odpor pre elektrický prúd, čím sa zníži riziko zasiahnutia elektrickým prúdom. Tento produkt je vybavený elektrickou šnúrou, ktorá má uzemňovací zberač a uzemňovaciu zástrčku. Zástrčka sa musí zapojiť do vhodnej zásuvky, ktoré je správne namontovaná a uzemnená v súlade s miestnymi kódmi a nariadeniami.

Zástrčku neupravujte. Ak sa nebude hodiť do zásuvky, nechajte si profesionálnym elektrikárom namontovať vhodnú zásuvku. Poškodenú alebo opotrebovanú šnúru ihneď opravte alebo vymeňte.

#### ZVÝŠKOVÁ RIZIKOVOSŤ

Aj keď sa nástroj používa podľa predpisu, nie je možné eliminovať určité zvyškové rizikové faktory. Pri použití vznikajú nasledujúce riziká a obsluhujúca osoba musí venovať zvláštnu pozornosť, aby nedošlo k nasledovnému:

- Spätňý náraz obrobkov a častí obrobkov v dôsledku nesprávneho nastavenia alebo manipulácie.
- Hrozí poškodenie respiračného systému.

**POZNÁMKA:** Používajte dýchacie masky obsahujúce filtre vhodné pre obrábané materiály Zabezpečte





## Slovenčina (Preklad z pôvodných inštrukcií)

primerané vetranie pracoviska. Na pracovisku nejedzte, nepite ani nefajčite.

- Poškodenie sluchu pri nepoužívaní účinnej ochrany sluchu.

### OBOZNÁMTE SA S VAŠIM PRODUKTOM

Pozrite si obrázok 1.

Na bezpečné používanie tohto zariadenia je potrebné pochopenie informácií o produkte a informácií v tomto návode na obsluhu, ako aj znalosť projektu, ktorý plánujete vykonať. Pred uporabo tega orodja, se spoznajte z vsemi njegovimi delovnimi značilnostmi in varnostnimi zahtevami.

#### GOMBÍK NA NASTAVENIE UHLA

Nakloňte stôl píly na šikmé rezanie.

#### KRYT OSTRIA

Chrání operátora, aby neprišiel do kontaktu s pílovým pásom.

#### NASTAVOVACÍ GOMBÍK VODIDLA PÍLOVÉHO PÁSU

Nastavovací gombík vodidla pílového pásu sa používa na nastavenie vodidla pílového pásu hore a dole a ochranu pílového pásu pred pretočením a pretrhnutím. Vždy pred spustením pásovej píly zaistíte vodidlo pílového pásu.

#### VODIDLÁ PÍLOVÉHO PÁSU

Horné a dolné vodidlo pílového pásu počas prevádzky pomáhajú chrániť pílový pás pred pretočením.

#### OTVOR NA ODSÁVANIE PRACHU

Otvor na odsávanie prachu s priemerom 53 mm (2 - 1/8") umožňuje bezprachovú prevádzku. Na otvor na odsávanie pripojte prachové vrecko (nie je súčasťou balenia) alebo bežný vysávač.

#### ZAISŤOVACIA SKRUTKA KRYTU

Umožňuje, aby predný kryt zostal otvorený na vykonávanie nastavení.

#### MIERKA NASTAVENIA POKOSU

Táto mierka zarovnáva drevo na priečny rez. Tento ľahko čitateľný ukazovateľ zobrazuje presný uhol pre pokos v uhle 15°, 30°, 45° a 60°.

#### PÁKA NAPÍNANIA PÍLOVÉHO PÁSU RAPIDSET™

Reguluje napnutie pílového pásu pri výmene a nastavovaní pílových pásov pre rôzne typy pílenia.

#### ČEPEL' PÍLY

Píla sa dodáva s pílovým pásom so štandardnou šírkou 6,35 mm (1/4").

#### PÍLOVÝ STÔL S REZNOU PODLOŽKOU

Vaša pásová píla má pílový stôl s reguláciou náklonu. Rezná podložka, namontovaná na pílový stôl ešte vo výrobnom závode, poskytuje medzeru na pílový pás.

#### MIERKA A UKAZOVATEĽ MIERKY

Mierka a ukazovateľ mierky zobrazujú uhol alebo stupeň v ktorom je pílový stôl naklonený na šikmé rezanie.

#### NASTAVOVACIA PÁČKA STOLA

Uvoľnenie nastavovacej páčky stola umožňuje naklápať pílový stôl pod rôznymi uhlami. Utiahnutím nastavovacej páčky stola sa zaistí pílový stôl v danej polohe.

#### GOMBÍK NA UPNUTIE PÁSU

Nastavuje smerovania pásu na udržanie pílového pásu vycentrovaného na kolesách.

#### KONTROLNÉ OKIENKO

Kontrolné okienko uľahčuje sledovanie nastavení pásu.

#### PRETLÁČACIA TYČ

Vždy používajte na posúvanie obrobku pretláčaciu tyč, až kým nebude mimo stola.

### ZOZNAM VOĽNE DODÁVANÝCH DIELOV

Popis	Množ.
Podložky	7
Nastavovacia páčka stola	1
Šesthranný kľúč , 3 mm	1
Šesthranný kľúč , 4 mm	1
Šesthranný kľúč , 5 mm	1
Mierka nastavenia pokosu	1
Uzavreté matice	4
Nožičky	4
Stôl píly	1
Zaisťovacie skrutky	2
Šesthranné matice	2
Podpera nadstavca	1
Pravítka na pozdĺžne rezanie	1





**Slovenčina (Preklad z pôvodných inštrukcií)**

Pretláčacia tyč	1
Návod na obsluhu	1

**MONTÁŽ****ROZBALOVANIE**

Tento výrobok si vyžaduje montáž.

- Opatrne vyberte výrobok z kartónu a položte ho na rovnú pracovnú plochu.

**VAROVANIE**

Výrobok nepoužívajte, ak po jeho vybalení zistíte, že niektoré časti zo zoznamu voľne dodávaných dielov sú už namontované na vašom výrobku. Časti na tomto zozname nie sú namontované na výrobku výrobcom a inštaláciu musí vykonať zákazník. Použitie výrobku, ktorý mohol byť nesprávne zostavený, by mohlo viesť k vážnemu zraneniu osôb.

- Starostlivo skontrolujte náradie, aby ste sa uistili, že počas prepravy nedošlo k žiadnemu polámaniu alebo poškodeniu. **POZNÁMKA:** Táto píla bola dodaná bez napnutého pilového pásu. Nespúšťajte túto pílu, pokiaľ nebude správne nastavené napnutie pilového pásu.
- Nevyhadzujte obalový materiál, kým ste náradie starostlivo neskontrolovali a úspešne neodskúšali.
- Ak je akákoľvek časť poškodená alebo chýba, obráťte sa na servisné stredisko so žiadosťou o pomoc.

**VAROVANIE**

Nepoužívajte tento výrobok, ak je akákoľvek časť poškodená alebo chýba, až kým nebudú tieto časti vymenené. Používanie tohto výrobku s poškodenými alebo chýbajúcimi časťami by mohlo viesť k vážnemu zraneniu osôb.

**VAROVANIE**

Nepokúšajte sa modifikovať produkt, alebo vytvoriť príslušenstvo, ktoré nie je odporúčané pre použitie s týmto produktom. Akékoľvek takéto úpravy sú zneužitím a môžu mať za následok nebezpečný stav, ktorý môže viesť k možnému vážnemu zraneniu osôb.

**VAROVANIE**

Nezapájajte do elektrickej siete, až kým nebude úplne zmontovaná. Nedodržanie tohto pokynu môže viesť k náhodnému naštartovaniu a možnému vážnemu zraneniu osôb.

**MONTÁŽ VÝROBKU NA PRACOVNÝ STÓL**

Ak sa má výrobok používať na stálom mieste, musí byť namontovaný na pevný povrch ako je pracovný stôl. Na tento účel sú v základni píly poskytnuté štyri otvory na skrutky. Skrutky (nie sú súčasťou dodávky) by mali mať dostatočnú dĺžku, aby boli vhodné pre základňu, poistné podložky, šesťhranné matice (nie sú súčasťou dodávky) a hrúbku pracovného stola. Pevne dotiahnite všetky štyri skrutky.

Po namontovaní starostlivo skontrolujte pracovný stôl, aby ste sa uistili, že sa počas používania nevyskytnú žiadne pohyby. Ak zbadáte akékoľvek nakláňanie, posúvanie alebo kračanie, zaistite pracovný stôl k podlahe pred prevádzkou.

- Položte výrobok na pracovný stôl. Použite základňu píly, ako šablónu, vyhľadajte a označíte otvory, do ktorých bude výrobok namontovaný.
- Vyrvajte otvory cez pracovný stôl.
- Položte pásovú pílu na pracovný stôl a vyrovnejte otvory v základni píly s vyvŕtanými otvormi v pracovnom stole.
- Vložte skrutky (nie sú súčasťou dodávky) a pevne dotiahnite s poistnými podložkami a šesťhrannými maticami (nie sú súčasťou dodávky). **POZNÁMKA:** všetky skrutky musia byť vložené zvrchu. Namontujte poistné podložky a šesťhranné matice zo spodku stola.

**UPNUTIE VÝROBKU NA PRACOVNÝ STÓL**

Pozrite si obrázok 4.

Ak sa bude výrobok používať ako prenosné náradie, odporúča sa, aby ste ho trvalo pripevnili na montážnu dosku, ktorá sa dá ľahko upnúť na pracovný stôl alebo inú nosnú plochu. Montážna doska by mala byť dostatočne veľká, aby sa zabránilo prevráteniu píly počas používania. Odporúča sa akákoľvek kvalitná preglejka alebo drevotrieková doska s hrúbkou 19 mm (3/4").

Pri použití kotvových skrutiek sa uistite, že sú dostatočne dlhé, aby prešli cez otvory v základni píly a materiál, na ktorý bude píla namontovaná. Pri použití strojových skrutiek sa uistite, že sú dostatočne dlhé, aby prešli cez otvory v základni píly, materiál, na ktorý bude píla namontovaná a poistné podložky a šesťhranné matice.

**POZNÁMKA: MOŽNO BUDE POTREBNÉ ZAPUŠTIŤ ŠESTHRANNÉ MATICE A PODLOŽKY NA SPODNEJ STRANE MONTÁŽNEJ DOSKY.**





## Slovenčina (Preklad z pôvodných inštrukcií)

- Namontujte pílu na dosku použitím otvorov v základni píly ako šablóny na otvory. Položte a označte otvory, do ktorých bude pásová píla namontovaná.
- Postupujte podľa posledných troch krokov v časti Montáž výrobku na pracovný stôl, uvedenej vyššie.

### MONTÁŽ PÁSOVEJ PÍLY

*Pozri obrázky 5, 7.*

- Odmontujte d-maticu, podložky a krídlovú skrutku zo stola píly.
- Postavte sa z prednej strany pásovej píly, nasuňte pílový stôl za pílový pás a cez otvor pohybom sa z pravej strany píly na ľavú.
- Držte stôl píly ľavou rukou a zároveň ťahajte gombík na nastavenie uhla preč od rámu píly, zarovnajzte ozubenie na uhlovej podpere stola píly do ozubenia na gombíku na nastavenie uhla stola. Uvoľnite gombík.
- Vložte kolíky na ráme do otvorov podpery stola píly.
- Vložte podložku do závitového konca nastavovacej páčky stola. Upnite stôl píly na rám píly otočením nastavovacej páčky stola doprava.
- Pripevnite d-maticu, podložky a krídlovú skrutku ku stolu píly.

**POZNÁMKA:** Krídlová skrutky sa pripevňuje pod stôl píly.

### INŠTALÁCIA PRÍDAVNEJ PODPERY

*Pozrite si obrázok 6.*

- Vložte rúrky prídatnej podpory do otvorov zo zadnej časti základne píly.
- Zarovnajzte otvory na rúrkach a na základni píly.
- Vložte zaistovacie skrutky a utiahnite s podložkami a šesthrannými maticami.

### ZAROVNAJTE DO PRAVÉHO UHLA STÔL PÍLY K PÍLOVÉMU PÁSU

*Pozri obrázky 8 – 9.*

- Otočte zaistovacie gombík doľava na uvoľnenie vodidla pílového pásu. Otočte nastavovací gombík vodidla pílového pásu doprava, zdvihnite vodidlo pílového pásu, pokiaľ to pôjde. Otočte zaistovacie gombík doprava na opätovné utiahnutie.
- Položte malý kombinovaný uhlomer na stôl píly vedľa pílového pásu.
- Uvoľnite nastavovaciu páčku stola a otáčajte gombík na nastavenie uhla stola na naklonenie stola píly hore alebo dole na vyrovnanie stola na 90° ku pílovému pásu (0° poloha). Znovu utiahnite nastavovaciu páčku stola.
- Otáčajte nastavovacou skrutkou, až kým sa skrutka nedotkne krytu píly.
- Skontrolujte pravouhosť stola píly k pílovému pásu. V

prípade potreby vykonajte úpravy.

- Nastavte ukazovateľ mierky na nulu a utiahnite s krížovým skrutkovačom.

**POZNÁMKA:** vždy urobte skúšobný rez, aby ste zabezpečili pravouhosť pílového pásu pred začatím každého nového projektu. Ak nie je pravouhlý, bude potrebné uvoľniť skrutky pod stolom píly na nastavenie (drážka pokosu musí byť rovnobežná s pílovým pásom). Keď dosiahnete pravouhosť, skrutky znovu dotiahnite.

### NASTAVENIE NAPNUTIA PÍLOVÉHO PÁSU

*Pozri obrázky 10-11.*

- Vypnite výrobok.
- Pred použitím pásovej píly otočte gombík napínania pílového pásu v hornej časti píly doprava na napínanie.
- **POZNÁMKA:** úpravy nastavenia napnutia pílového pásu je možné vykonávať kedykoľvek.
- Potiahnite späť rovnú hranu pílového pásu ako gitarovú strunu, zatiaľ čo otáčate napínací gombík.

Ako sa zvyšuje napnutie, vydáva vyšší tón zvuku. Nikdy nezvyšujte napnutie pásu tak, aby bola pružina úplne stlačená. Pri úplnom stlačení už pružina nemôže viac fungovať ako tlmič odpruženia.

Príliš veľké napnutie môže spôsobiť pretrhnutie pásu. Hrubsie obrobky vyžadujú väčšie napnutie; maximálne napnutie nie je potrebné pre všetky rezy. Príliš malé napnutie môže spôsobiť, že sa pílový pás zošmykne z kolies.

### ZAROVNANIE PÍLOVÉHO PÁSU

*Pozrite si obrázok 11.*

Nastavte správne napnutie pílového pásu predtým, ako budete vykonávať akékoľvek úpravy zarovnanja. Skontrolujte, či vodidlá pílového pásu nezasahujú do pílového pásu. Drážka pásu (najhlbšia časť ozubenia pásu) musí byť v strede plášt'a.

#### Na nastavenie:

Odpojte zo zdroja energie. Otvorte predné kryty odkrutkovaním zaistovacej skrutky krytu. Sledujte polohu pílového pásu na hornom plášti, keď budete pomaly ručne otáčať horné koleso doprava. Ak sa pílový pás posúva mimo stred plášt'a, zarovnanie musí byť upravené.

#### Ak sa pás posúva doľava alebo doprava od stred:

- Otočte gombík upnutia pásu (doprava, ak pás sa posúval doľava; doľava, ak sa pás posúval doprava), zatiaľ čo otáčate koleso rukou, kým sa pílový pás neposunie späť a neprechádza stredom plášt'a.
- Skontrolujte polohu pílového pásu na spodnom plášti. Pílový pás by sa mal nachádzať kompletne na plášti (drážka ozubenia pásu v strede). Ak nie, upravujte



## Slovenčina (Preklad z pôvodných inštrukcií)

smerovanie až kým nebude pilový pás zarovnaný na obidvoch plášťoch.

- Rukou otáčajte horné koleso doprava ešte niekoľko otáčok. Preverte, že pilový pás zostáva na tom istom mieste na plášti. V prípade potreby nastavte znovu, až kým pilový pás sa pilový pás nebude pohybovať správne.
- Zatvorte predné kryty a utiahnite zaisťovaciu skrutku krytu.
- Zapnite výrobok.
- Skontrolujte, či je pilový pás na plášti vycentrovaný (cez kontrolné okienko). Ak nie je vycentrovaný, zopakujte kroky uvedené vyššie.

### VAROVANIE

Vodidlá pilového listu boli nastavené v závode. Tieto nastavenia sú funkčné pre niektoré aplikácie. Odporúčame vám skontrolovať a upraviť nastavenia vodidla pilového pásu ešte pred prvým použitím píly. Pozrite si postupy „Nastavenie opory vodidla pilového pásu a prítlačných ložísk“, vysvetlené v časti „Nastavenia“ tohto návodu na obsluhu.

### INŠTALÁCIA PRAVÍTKA NA POZDĹŽNE REZANIE

- Položte pravítko na pozdĺžne rezanie na ľavú stranu stola píly so zaisťovacou rukoväťou na prednej časti.
- Zatláčte zaisťovaciu rukoväť do zaistenej polohy pravítka na pozdĺžne rezanie.
- Otočte zaisťovaciu rukoväť na nastavenie tesnosti uchytenia.

### PREVÁDZKA

### VAROVANIE

Zoznámte sa s výrobkami a používajte ich opatrne. Zapamätajte si, že sekunda nepozornosti môže spôsobiť vážne zranenie.

### VAROVANIE

Vždy používajte chrániče zraku. V opačnom prípade to môže spôsobiť, že úlomky vám vletia do očí, čo môže zapríčiniť vážne zranenie.

### VAROVANIE

Nepoužívajte žiadne nadstavce alebo príslušenstvo, ktoré nie je odporúčané výrobcom tohto produktu. Pri použití príslušenstva, ktoré neodporúča výrobca, môže dôjsť k vážnemu osobnému zraneniu.

### VAROVANIE

Aby ste zabránili kontaktu s pilovým pásom, nastavte vodidlo pilového pásu tesne nad obrobok. V opačnom prípade by mohlo dôjsť k závažnému osobnému poraneniu.

### VAROVANIE

Nikdy neprevádzkujte výrobok bez zaisteného ochranného krytu pilového pásu a zaistených predných krytov. Mohlo by to viesť k vážnemu zraneniu osôb.

### ZÁKLADNÉ FUNKCIE PÁSOVEJ PÍLY

Pásová píla je v zásade stroj na „oblúkové rezy“, ktorý sa môže používať aj na vykonávanie rovných rezov ako sú priečne rezy, pokosové rezy, šikmé rezy, zložené rezy a pozdĺžne prerezovanie. Pri používaní pásovej píly na rovné rezy, používateľ môže namontovať vodiace pravítko a uchytiť obrobok zodpovedajúcej veľkosti k stolu pomocou „C“ svoriek. Nie je vhodná na vyhotovenie vnútorných rezov alebo drážkových rezov.

Predtým, ako začnete píliť, skontrolujte chod výrobku. Ak spozorujete nadmerné vibrácie alebo nezvyčajný hluk, okamžite ho zastavte. Vypnite výrobok a odpojte ho z elektrickej siete. Nepokúšajte sa ho znovu naštartovať, pokiaľ problém neodhalíte a neodstránite.

### POSTUPY REZANIA

- Vždy upnite obrobok pevne proti stolu.
- Obrobok posúvajte na pilový pás jemným zatlačením oboch rúk. Netlačte obrobok silou; nechajte nech ho pilový pás rozreže.
- Najmenší priemer kruhu, ktorý môže byť vyrezaný, je určený šírkou pilového pásu. Pilový pás široký 6,35 mm (1/4") vyreže kruh s minimálnym priemerom 38 mm (1-1/2").
- Ruky nedávajte do blízkosti ostria. Nepridržiavajte rukou také malé diely, aby sa vaše prsty dostali pod ochranný kryt pilového pásu.
- Vyhýbajte sa zložitým operáciám a polohám rúk, kde by náhle pokľznutie mohlo spôsobiť vážne poranenie pri kontakte s pilovým pásom. Nikdy nekladte ruky do dráhy pilového pásu.
- Používajte ďalšie podpery (stoly, stoličky na rezanie, podložky, atď.) pri rezaní veľkých, malých alebo zložitých obrobkov.
- Nikdy nepoužívajte iné osoby ako náhradu za predĺženie stola alebo na dodatočné podržanie obrobku, ktorý je dlhší alebo širší ako základný stôl píly.
- Pri rezaní obrobkov nepravidelných tvarov, nastavte



## Slovenčina (Preklad z pôvodných inštrukcií)

si obrobok tak, aby neodtrhol pilový pás. Napríklad, lisovaný obrobok musí byť položený naplocho na stole píly. Počas pilenia sa obrobok nesmie pretáčať alebo prekážať.

Pri posúvaní obrobku dozadu sa pilový pás môže zablokovať v záreze (reze). Toto je zvyčajne spôsobené pilinami, ktoré upchajú zárez alebo keď sa pilový pás dostane mimo vodidiel. Ak k tomu dôjde:

- Vypnite výrobok. Počkajte, kým sa píla úplne nezastaví. Odpojte výrobok zo zdroja napájania.
- Zárez uvoľnite plochým skrutkovačom alebo dreveným klinom.
- Otvorte predný kryt a rukou otáčajte horné koleso, až do vysunutia obrobku dozadu.

### OBRYSOVÉ REZY

Obrysové rezy sa vykonávajú pri rezaní zložitého oblúku (príliš malý priemer na pilový pás). Vedte rez cez odrezkovú časť obrobku do oblúku v línii šablóny a potom opatrne vytiahnite pilový pás. Pri zložitom oblúku by malo byť urobených niekoľko obrysových rezov, pred pokračovaním v línii šablóny, pretože odrezaním časti oblúku sa „odfahčí“ tlak na pilový pás.

### TOČITÉ REZANIE

Pri bežnom type zakrivených rezov, nasledujte línie šablóny súčasným posúvaním a otáčaním obrobku. Nepokúšajte sa otočiť obrobok, kým nie je vysunutý pilový pás - obrobok by mohol uviaznuť alebo skrútiť pilový pás.

### ODSTRÁNENIE ZASEKNUTÉHO MATERIÁLU

Nikdy neodstraňujte zaseknuté odrezané kusy, až kým nedôjde k úplnému a kompletnému zastaveniu pilového pásu.

- Vypnite výrobok. Počkajte, kým sa píla úplne nezastaví.
- Pred odstránením zaseknutého materiálu odpojte výrobok zo zdroja elektrickej energie.

### PREDCHÁDZANIE ZRANENIU

- Ubezpečte sa, že píla je vyrovnaná a nekýva sa. Píla by mala byť vždy na pevnom, rovnom povrchu s dostatkom priestoru pre manipuláciu a vhodnú podporu obrobku.
- Priskrutkujte pílu k nosnej ploche, aby sa zabránilo kĺzaniu, pohybu alebo posúvaniu počas prevádzky ako je rezanie dlhých, ťažkých dosiek.
- Vypnite pílu a odpojte kábel zo zdroja elektrickej energie pred premiestnením píly.
- Neodstraňujte zaseknuté odrezané kusy, až kým nedôjde k úplnému a kompletnému zastaveniu pilového pásu.

- Vyberte si správny rozmer a typ pilového pásu pre daný materiál a typ rezu, ktorý plánujete vykonať.
- Ubezpečte sa, že zuby pilového pásu smerujú nadol k stolu píly, vodidlá pilového pásu, prítláčne ložiská a napnutie pilového pásu sú správne nastavené, že gombík vodidla pilového pásu je dotiahnutý a že žiadne časti nie sú príliš uvoľnené.
- Aby sa zabránilo náhodnému kontaktu s pilovým pásom, minimalizujte pretrhnutie pásu, zabezpečte maximálnu podporu pásu a vždy nastavte vodidlo pilového pásu tesne nad obrobok.
- Použite len odporúčané príslušenstvo.
- Pred zapnutím píly odstráňte všetko zo stola píly, okrem obrobku a súvisiacich podporných zariadení.
- Zabezpečte vhodnú podporu pre okrúhle materiály, ako sú tyče, kolíky alebo rúrky, pretože majú tendenciu sa počas rezania krútiť, čím spôsobujú „zasekávajúce“ pilového pásu. Aby ste sa tomu vyhli, používajte „V“ oporu alebo upnite obrobok do pokosníka.
- Pred odobratím uvoľnených kusov z pásovej píly, vypnite pílu a počkajte, kým sa všetky pohyblivé časti nezastavia.

### ZAPNITE/VYPNITE VÝROBOK.

Pozrite si obrázok 12.

- Stlačte tlačidlo do polohy „I“ na výrobku.
- Stlačte tlačidlo do polohy „O“ na výrobku.


### PRED ODSTAVENÍM VÝROBKU

Pozrite si obrázok 12.

- Vypnite výrobok. Počkajte, kým sa píla úplne nezastaví.
- Odpojte výrobok zo zdroja napájania.
- Zabezpečte dieľňu, aby bola bezpečná pre deti.
- Uvoľnite napnutie pilového pásu použitím páky napínania pilového pásu Rapidset™, na predĺženie životnosti pilového pásu.
- Zamknite dieľňu.

### ZAPNITE/VYPNITE PRACOVNÉ SVETLO

Pozrite si obrázok 13.

- Stlačte tlačidlo do polohy „“ na zapnutie pracovného svetla.
- Stlačte tlačidlo do polohy „O“ na vypnutie pracovného svetla.

### NAKLÁŇANIE STOLA

Pozrite si obrázok 14.

- Zľahka uvoľnite zaistovací gombík stola.
- Otočte gombík na nastavenie uhla, nakláňajte stôl píly, až kým nedosiahne požadovaný uhol.





## Slovenčina (Preklad z pôvodných inštrukcií)

- Použite ukazovateľ mierky, skontrolujte označenie uhla.
- Znovu utiahnite zaistovací gombík stola na udržanie stola píly pevne na mieste.

### POUŽITE MIERKY NASTAVENIA POKOSU

Pozri obrázky 15 – 16.

Mierka pokosu môže byť nastavená na maximálny uhol 60° doprava alebo doľava.

- Uvoľnite zaistovací gombík na mierke nastavenia pokosu.
- S mierkou nastavenia pokosu zasunutou v drážke pre mierku, otáčajte meradlo, až kým na stupnici nedosiahnete požadovaný uhol.
- Znovu utiahnite zaistovací gombík.

### POUŽITIE PRAVÍTKA NA POZDĹŽNE REZANIE

Pravítko na pozdĺžne rezanie sa používa pri každom pozdĺžnom rezaní. Nikdy nevykonávajte pozdĺžne rezanie voľne rukou bez pravítka, uchyteného na mieste a bezpečne zaisteného.

- Umiestnite pravítko na požadovanú šírku rezu a zaistite na mieste.
- Pred spustením pozdĺžneho rezania sa uistite, že pravítko na pozdĺžne rezanie je rovnobežné s pílovým pásom. Pri pozdĺžnom rezaní dlhých dosiek alebo veľkých panelov vždy používajte podporu.
- Pridržiavajte kus proti pravítku a posúvajte cez pílový pás miernym, rovnomerným tlakom.

### NASTAVENIA

#### VAROVANIE

Pred vykonávaním akéhokoľvek nastavenia sa uistite, že náradie je odpojené zo zdroja elektrickej energie a vypínač je vo vypnutej polohe. Pri nerešpektovaní tejto výstrahy môže dôjsť k vážnemu poraneniu osôb.

#### VAROVANIE

Aby ste zabránili zraneniu osôb, udržiavajte správne nastavenie napnutia pílového pásu, vodidiel pílového pásu a prítlačných ložísk.

### MONTÁŽ A NASTAVENIE PÍLOVÉHO PÁSU.

Pozrite si obrázok 17.

- Uvoľnite a odmontujte krídlovú maticu, podložky a D-skrutku zo stola píly.

- Otvorte predné kryty odskrutkovaním zaistovacej skrutky krytu.
- Otočte zaistovací gombík doľava na uvoľnenie vodidla pílového pásu. Otočením gombíka vodidla pílového listu (doprava sa vodidlo pílového pásu zdvihne; doľava klesne) umiestnite vodidlo pílového listu asi do stredu medzi stôl píly a kryt píly. Znovu utiahnite zaistovací gombík.
- Otvorte ochranný kryt pílového pásu vyťahnutím ľavej strany krytu von a preč od kolesa.
- Úplne uvoľnite napnutie pílového pásu.
- Opatrne vyberte starý pílový pás.
- V rukaviaciach opatrne odviňte nový pílový pás na dĺžku ramena. Ak bola na novom pílovom páse nanosená vrstva oleja, ako ochrana pred koróziou, je potrebné ju utrieť, aby sa olej nedostal na obrobok. Starostlivo utrite pás v tom istom smere, ktorým sú orientované zuby, tak aby sa handra nezachytila o zuby pílového pásu.

**POZNÁMKA:** Ak sú zuby orientované nesprávnym smerom, bude potrebné pílový pás obrátiť naopak. Chyťte pílový pás obomi rukami a otočte ho dovnútra.

- So zubami pílového pásu, smerujúcimi k ľavej strane píly a otočenými nadol, vedte pílový pás cez spodné vodidlá pílového pásu a okolo obidvoch kolies.
- Pomaly otáčajte rukou horné koleso doprava alebo v smere hodinových ručičiek na vycentrovanie pílového pásu na gumených pláštach.
- Znovu pripojte páku napínania pílového pásu RapidSet™ a potom nastavte napnutie pílového pásu; skontrolujte alebo nastavte zarovnanie pílového pásu.
- Nastavte oba horné aj dolné vodidlo pílového pásu a prítlačné ložiská tak, ako je vysvetlené neskôr v tomto Návoде na obsluhu.
- Znovu pripievajte krídlovú skrutku, podložky a D-skrutku. Pevne utiahnite.
- Zatvorte ochranný kryt pílového pásu a predný kryt. Utiahnite zaistovaciu skrutku krytu.

### NASTAVENIE VODIDLO PÍLOVÉHO PÁSU

Pozri obrázky 18 – 19.

Aby sa zabránilo pretáčaniu alebo zlomeniu, malo by byť vodidlo pílového pásu vždy nastavené približne 3,2 mm (1/8") nad obrobkom.

- Otočte zaistovací gombík doľava na uvoľnenie vodidla pílového pásu.
- Na nastavenie výšky vodidla pílového pásu použite ako vodidlo odrezok toho istého dreva, ktoré sa chystáte rezať. Vodidlo pílového listu nastavíte otáčaním gombíka vodidla.
- Otočením zaistovacieho gombíka zaistíte vodidlo pílového pásu na mieste.





## Slovenčina (Preklad z pôvodných inštrukcií)

- Vždy pred spustením pásovej píly zaistíte vodidlo pílového pásu.

### NASTAVENIE OPORY VODIDLA PÍLOVÉHO PÁSU A PRÍTLAČNÝCH LOŽÍSK

Pozri obrázky 20 – 21.

**POZNÁMKA:** Utiahnite zaistovací gombík a pozrite si postupy „Nastavenie napnutia pílového pásu“ a „Zarovnanie pílového pásu“, vysvetlené v časti MONTÁŽ tohto návodu na obsluhu ešte pred nastavovaním.

Horé a spodné prítláčné ložiská pílového pásu podopierajú a nesú vodidlá pílového pásu počas prevádzky. Nastavenie ložísk a vodidiel by sa malo skontrolovať vždy, keď sa namontuje iný pílový pás.

#### Na nastavenie prítláčnych ložísk:

Prítláčne ložiská podopierajú počas rezania zadný okraj pílového pásu. Keď zastavíte rezanie, pílový pás by sa nemal dotýkať prítláčnych ložísk. Je dôležité, aby obidva, horné aj dolné prítláčné ložiská, boli nastavené rovnako.

- Otvorte predné kryty a ochranný kryt pílového pásu.
- Použitím imbusového kľúča uvoľnite horné a dolné skrutky prítláčnych ložísk a posuňte prítláčne ložiská dozadu píly.
- Skontrolujte, či je pílový pás správne zarovnaný, potom posuňte prítláčne ložisko dopredu, až kým ložisko nebude vzdialené 0,4 mm (1/64") od pílového pásu. Pevne utiahnite skrutku prítláčného ložiska.
- Posuňte spodné ložisko dopredu, až kým nebude dosiahnutá správna medzera. Pevne utiahnite skrutku prítláčného ložiska.

#### Na nastavenie opory vodidla pílového pásu:

- Uvoľnite oporu vodidla pílového pásu a nastavovaciu skrutku vodidla pomocou imbusových kľúčov.
- Posúvajte hornú oporu vodidla pílového pásu na hriadieli, až kým sa predný okraj vodidiel nedotkne pílového pásu za drážkou. Skrutku pevne utiahnite.
- Zatláče pravé vodidlo, aby bolo v kontakte s pílovým pásom a uvoľnite. Pomaly otočte koleso o jednu celú otáčku. Utiahnite nastavovacie skrutky vodidla pílového pásu.
- Nastavte ľavé bočné vodidlo na vzdialenosť 0,4 mm (1/64") medzi pílovým pásom a vodidlom (na hrúbku hracej karty) vložení hracej karty medzi ľavé vodidlo a pílový pás.
- Zatláče na ľavý čap vodidla na udržanie hracej karty na mieste. Utiahnite nastavovaciu skrutku a vyberte hracíu kartu.
- Otáčajte rukou celé tri otáčky, aby ste sa uistili, že sa pás nezasekáva.
- Zatvorte ochranný kryt pílového pásu a predný kryt.

Zaistíte so skrutkou.

Zopakujte tento postup pre spodnú oporu vodidla pílového pásu.

### NASTAVENIE PRAVÍTKA NA POZDĹŽNE REZANIE

- Uvoľnite zaistovaciu rukoväť otočením doľava.
- Posuňte pravítko na pozdĺžne meranie do požadovanej polohy.
- Zatláče zaistovaciu rukoväť do zaistenej polohy pravítka na pozdĺžne rezanie.
- Otočte zaistovaciu rukoväť na nastavenie tesnosti uchytenia.

### ÚDRŽBA

#### VAROVANIE

Pri servise používajte len originálne náhradné diely. Použitie iných dielov môže predstavovať riziko alebo spôsobiť poškodenie produktu.

#### VAROVANIE

Počas prevádzky výrobku noste vždy chrániče očí. Ak pri práci vzniká prach, používajte aj protiprachovú masku.

#### VAROVANIE

Pred vykonávaním akejkoľvek údržby sa uistite, že náradie je odpojené zo zdroja elektrickej energie a vypínač je vo vypnutej polohe. Pri nerespektovaní tejto výstrahy môže dôjsť k vážnemu poraneniu osôb.

### VŠEOBECNÁ ÚDRŽBA

Vyhýbajte sa použitiu rozpúšťadiel pri čistení plastových častí. Väčšina plastov je náchylných na poškodenie rôznymi druhmi komerčných rozpúšťadiel a ich používaním sa môžu poškodiť. Na odstránenie nečistoty, prachu, oleja, mazadla atď. použite čistú handričku.

#### VAROVANIE

Dbajte na to, aby do kontaktu s plastovými dielmi nikdy neprišli do kontaktu brzdové kvapaliny, benzín, ropné produkty, prenikavé oleje a pod. Chemikálie môžu poškodiť, oslabiť, alebo zničiť plastové časti a tak spôsobiť vážne zranenie.

- Udržiavajte výrobok v čistote.
- Často odstraňujte piliny zvnútra náradia.



## Slovenčina (Preklad z pôvodných inštrukcií)

- Nedovoľte, aby sa hromadila živica na stole píly, vodidlách pílového pásu alebo prítlačných ložiskách. Čistite ich gumou a odstraňovačom živice.
- Naneste tenkú vrstvu vosku, aký sa používa na autá, na dosku stola píly, aby sa drevo pri rezaní ľahko klzalo.

### Mazanie

Všetky ložiská v nástroji sa mažu dostatočným množstvom mazadla s vysokou kvalitou, kvôli dlhej životnosti jednotky za normálnych prevádzkových podmienok. Preto nie je potrebné žiadne ďalšie mazanie.

### PLÁŠTE

#### Čistenie plášťov:

- Živica a piliny sa hromadia na plášťoch kolies a je potrebné ich odstraňovať s jemnou kefou alebo kúskom dreva. **Nepoužívajte ostrý nôž ani žiadny druh rozpúšťadla.**

#### Výmena plášťov:

- Otvorte predný kryt a vyberte pílový pás. Pozrite si časť Montáž a nastavenie pílového pásu.
- Opatrne vypáčte opotrebovaný plášť z kolesa.
- Natiahnite nový plášť na koleso.
- Dajte na miesto pílový pás a zatvorte predný kryt.

### KEFKA

Pozrite si obrázok 22.

Vnútri krytu píly je vedľa kolesa umiestnená kefa. Pomáha chrániť plášť a koleso stieraním pilín. Keď sa kefa obrúsi, je potrebné ju nastaviť alebo vymeniť.

- Odmontujte skrutku a podložku a následne kefu siahnite.
- Do drážky umiestnite novú kefu.
- Znovu namontujte pomocou podložky a skrutky.

### PREPRAVA A SKLADOVANIE

Pozri obrázky 23 – 24.

- Pri preprave výrobku, odpojte napájaci kábel, dajte dole ochranný kryt pílového pásu a vymontujte výrobok. Pretlačiaciu tyč uchovávajte na boku horného krytu. Zdvihnite výrobok za horný kryt, ako je zobrazené. Odložte zariadenie na bezpečné miesto, na ktoré nemajú prístup deti.
- Pred uskladnením vyčistite produkt pomocou kefy alebo vysávača.

### OCHRANA ŽIVOTNÉHO PROSTREDIA



Surové materiály recyklujte, nelikvidujte ich ako odpad. Stroj, príslušenstvo a obaly by sa mali triedene recyklovať spôsobom šetrným k životnému prostrediu.

### ZNAČKY



Buďte ostražití



Zhoda CE



Pred spustením zariadenia si pozorne prečítajte tento návod.



Noste ochranu zraku



Noste ochranu sluchu



NEBEZPEČENSTVO! Ostré čepele.



Zamknuté



Odomknuté



Maximálna rezná hĺbka



Maximálna rezná šírka




Maximálny rezný uhol



Prevádzková rýchlosť

## Slovenčina (Preklad z pôvodných inštrukcií)

 Rozmer pilového listu



Pred vykonávaním údržby je potrebné náradie odpojiť od prívodu elektrickej energie.



Opatrebované elektrické zariadenia by ste nemali odhadzovať do domového odpadu. Prosíme o recykláciu ak je možné. Kontaktujte miestne úrady, alebo predajcu pre viac informácií ohľadom ekologického spracovania.





## Slovenčina (Preklad z pôvodných inštrukcií)

### RIEŠENIE PROBLÉMOV

Problém	Možná príčina	Riešenie
Motor nebeží	<ol style="list-style-type: none"> <li>1. Problém s vypínačom ON/OFF alebo napájacím káblom.</li> <li>2. Chybný motor.</li> <li>3. Pílový pás sa zasekáva.</li> </ol>	<ol style="list-style-type: none"> <li>1. Vymeňte opotrebované diely pred ďalším používaním výrobku.</li> <li>2. Nepokúšajte sa vykonávať žiadnu opravu. Opravu nástroja zverte kvalifikovanej osobe.</li> <li>3. Odstráňte zaseknutý materiál.</li> </ol>
Pílový pás nebeží v približnom strede horného kola.	<ol style="list-style-type: none"> <li>1. Nesprávne zarovnané.</li> </ol>	<ol style="list-style-type: none"> <li>1. Nastavte zarovnanie, Pozrite časť NASTAVENIA, „Zarovnanie pílového pásu“.</li> <li>2. V prípade poškodenia ich dajte okamžite vymeniť kvalifikovanému servisnému technikovi.</li> </ol>
Pásová píla sa pri rezaní spomaľuje.	<ol style="list-style-type: none"> <li>1. Rezanie príliš malého priemeru.</li> <li>2. Otupený pílový pás.</li> </ol>	<ol style="list-style-type: none"> <li>1. Zastavte posúvanie a vysuňte späť zľahka rezaný materiál, až kým pásová píla nezrýchli chod.</li> <li>2. Vymeňte pílový pás.</li> </ol>
Pretrhnutie pílového pásu.	<ol style="list-style-type: none"> <li>1. Príliš napnutý pílový pás.</li> <li>2. Skrútenie v pílovom páse spôsobené rezaním príliš malého priemeru alebo príliš rýchlym otočením materiálu pri rezaní.</li> <li>3. Prítláčné ložiská sú poškodené alebo sa neotáčajú.</li> </ol>	<ol style="list-style-type: none"> <li>1. Nastavte napnutie. Pozrite časť NASTAVENIA, „Nastavenie napnutia pílového pásu“.</li> <li>2. Použite správnu techniku rezania. pozrite časť Prevádzka.</li> <li>3. Vymeňte prítláčné ložiská.</li> </ol>
Výrobok je hlučný, keď je spustený.	<ol style="list-style-type: none"> <li>1. Príliš napnutý pílový pás.</li> <li>2. Vodidlá pílového pásu a ložiská sa dotýkajú pílového pásu.</li> </ol>	<ol style="list-style-type: none"> <li>1. Nastavte napnutie. Pozrite časť NASTAVENIA, „Nastavenie napnutia pílového pásu“.</li> <li>2. Nastavte horné a spodné vodidlá pílového pásu a ložiská. Pozrite časti NASTAVENIA, „Nastavenie prítláčnych ložísk a opory vodidla pílového pásu“.</li> </ol>
Pílový pás nereže rovno.	<ol style="list-style-type: none"> <li>1. Vodidlá pílového pásu a ložiská nie sú správne nastavené.</li> <li>2. Opatrebovaný alebo poškodený pílový pás.</li> </ol>	<ol style="list-style-type: none"> <li>1. Nastavte horné a spodné vodidlá pílového pásu a ložiská. Pozrite časti NASTAVENIA, „Nastavenie prítláčnych ložísk a opory vodidla pílového pásu“.</li> <li>2. Vymeňte pílový pás.</li> </ol>
Vodidlá pílového pásu nezostávajú na mieste.	<ol style="list-style-type: none"> <li>1. Skrutky vodidiel pílového pásu sú uvoľnené.</li> </ol>	<ol style="list-style-type: none"> <li>1. Uťahnite nastavovacie skrutky vodidla pílového pásu.</li> </ol>
Motor beží, ale pílový pás sa neotáča	<ol style="list-style-type: none"> <li>1. Napnutie nie je nastavené správne.</li> <li>2. Hnací remeň je roztrhnutý.</li> </ol>	<ol style="list-style-type: none"> <li>1. Na nastavenie napnutia použite páku napínania pílového pásu.</li> <li>2. V prípade poškodenia ich dajte okamžite vymeniť kvalifikovanému servisnému technikovi.</li> </ol>





## Ελληνικά

### ΠΕΡΙΓΡΑΦΗ

- |  |                                  |
|--|----------------------------------|
| 1. Κουμπί έντασης λεπίδας                                    | 53. Κλειδωμα                     |
| 2. Βίδα ασφάλισης καλύμματος                                 | 54. Έδρανο ώσης                  |
| 3. Παράθυρο θέασης διαδρομής                                 | 55. Βίδα εδράνου ώσης            |
| 4. Φως εργασίας  | 56. Βίδα στήριξης οδηγού λεπίδας |
| 5. Προστατευτικό λεπίδας                                     | 57. Στήριξη πάνω οδηγού λεπίδας  |
| 6. Λεπίδα κόπτη  | 58. Οδηγός λεπίδας               |
| 7. Έλασμα φάλτσου  | 59. Βίδα ρύθμισης οδηγού λεπίδας |
| 8. Θύρα εξαγωγής σκόνης                                      | 60. Βίδα οδηγού λεπίδας          |
| 9. Ένδειξη κλίμακας  | 61. Στήριξη κάτω οδηγού λεπίδας  |
| 10. Κουμπί ρύθμισης γωνίας                                   | 62. Βούρτσα                      |
| 11. Κλίμακα  | 63. Ροδέλα                       |
| 12. Μοχλός ασφάλισης τραπέζιου                               | 64. Βιδ                          |
| 13. Κουμπί ασφάλισης   | 65. Ελαστικό                     |
| 14. Κουμπί ρύθμισης οδηγού λεπίδας                           |                                  |
| 15. Μοχλός έντασης λεπίδας                                   |                                  |
| 16. Πλάκα δοντιών  |                                  |
| 17. Κουμπί διαδρομής   |                                  |
| 18. Διακόπτης ενεργοποίησης/απενεργοποίησης (on/off)         |                                  |
| 19. Τραπέζι πριονιού   |                                  |
| 20. Εμπρός κάτω πάνελ  |                                  |
| 21. Εμπρός πάνω πάνελ  |                                  |
| 22. Προφυλακτήρας σχισίματος                                 |                                  |
| 23. Διακόπτης φωτός εργασίας                                 |                                  |
| 24. Ραβδί ώθησης   |                                  |
| 25. Κατσαβίδι Phillips (δεν περιλαμβάνεται)                  |                                  |
| 26. Ρυθμιζόμενο κλειδί (δεν περιλαμβάνεται)                  |                                  |
| 27. Μικρή ρυθμιζόμενη γωνία ξυλουργικής (δεν περιλαμβάνεται) |                                  |
| 28. Εξαγωνικό κλειδί , 3 mm                                  |                                  |
| 29. Εξαγωνικό κλειδί , 4 mm                                  |                                  |
| 30. Εξαγωνικό κλειδί , 5 mm                                  |                                  |
| 31. Ροδέλα   |                                  |
| 32. Χωνευτά παξιμάδια  |                                  |
| 33. Ροδέλες  |                                  |
| 34. Πόδια  |                                  |
| 35. Μπουλόνια ασφάλισης                                      |                                  |
| 36. Εξάγωνα παξιμάδια  |                                  |
| 37. Επέκταση στήριξης  |                                  |
| 38. Οπές βάσης πριονιού                                      |                                  |
| 39. Παξιμάδι D   |                                  |
| 40. Πεταλούδα  |                                  |
| 41. Βραχίονας τραπέζιου πριονιού                             |                                  |
| 42. Διάταξη οδηγού λεπίδας                                   |                                  |
| 43. Μπουλόνι ρύθμισης  |                                  |
| 44. Για μείωση έντασης                                       |                                  |
| 45. Για αύξηση έντασης                                       |                                  |
| 46. Κουμπί ασφάλισης   |                                  |
| 47. Υποδοχή ελάσματος φάλτσου                                |                                  |
| 48. Βίδες Phillips   |                                  |
| 49. Πάνω τροχός  |                                  |
| 50. Κάτω οδηγοί λεπίδας                                      |                                  |
| 51. Κάτω τροχός  |                                  |
| 52. Ξεκλειδωμα   |                                  |





## Ελληνικά

Κατά το σχεδιασμό της πρινοκορδέλας δόθηκε ιδιαίτερη προτεραιότητα στην ασφάλεια, την απόδοση και την αξιοπιστία της.

### ΠΡΟΟΡΙΖΟΜΕΝΗ ΧΡΗΣΗ

Η πρινοκορδέλα προορίζεται για ευθεία κοπή, κυλιόμενη κοπή και κυκλική κοπή ξύλου και προϊόντων που κατασκευάζονται από ξύλο.

Το εργαλείο προορίζεται για χρήση μόνο από ενήλικες χειριστές που έχουν διαβάσει το εγχειρίδιο χρήσης και έχουν κατανοήσει τους κινδύνους.

Το πριόνι προορίζεται να χρησιμοποιηθεί σε ξηρές συνθήκες, με εξαιρετικό φωτισμό περιβάλλοντος και επαρκή αερισμό.

Το προϊόν διατίθεται για καταναλωτική χρήση και πρέπει να χρησιμοποιείται μόνο σύμφωνα με την παραπάνω περιγραφή και για κανέναν άλλο σκοπό.

### ΓΕΝΙΚΕΣ ΠΡΟΕΙΔΟΠΟΙΗΣΕΙΣ ΑΣΦΑΛΕΙΑΣ

#### ΠΡΟΕΙΔΟΠΟΙΗΣΗ

Όταν χρησιμοποιείτε ηλεκτρικά εργαλεία, θα πρέπει να τηρούνται πάντα βασικές προφυλάξεις για μείωση του κινδύνου φωτιάς, ηλεκτροπληξίας και τραυματισμού. Διαβάστε όλες τις οδηγίες πριν χρησιμοποιήσετε το προϊόν και φυλάξτε τις.

- **Διατηρείτε καθαρό τον χώρο εργασίας.** Οι ακατάστατοι χώροι και πάγκοι εργασίας προκαλούν ατυχήματα.
- **Εξετάστε τον χώρο εργασίας.** Μην εκθέτετε τα εργαλεία σε βροχή. Μην χρησιμοποιείτε τα εργαλεία σε βρεγμένο χώρο ή σε συνθήκες υγρασίας. Να δουλεύετε σε καλά φωτισμένη περιοχή. Μην χρησιμοποιείτε τα εργαλεία όταν υπάρχουν εύφλεκτα υγρά ή αέρια.
- **Προστατευτικό από ηλεκτροπληξία.** Αποφύγετε την επαφή με γειωμένες επιφάνειες (π.χ. σωλήνες, καλοριφέρ, εστίες, ψυγεία).
- **Διατηρείτε μακριά τους παριστάμενους.** Μην αφήνετε άλλα άτομα και ιδιαίτερα παιδιά να εμπλέκονται στην εργασία, να αγγίζουν το εργαλείο ή την προέκταση και διατηρείτε τους παριστάμενους μακριά από τον χώρο εργασίας σας.
- **Φυλάσσετε τα εργαλεία που δεν χρησιμοποιείτε.** Όταν δεν χρησιμοποιούνται, τα εργαλεία πρέπει να φυλάσσονται σε στεγνό και κλειδωμένο χώρο, μακριά από παιδιά.
- **Μην πιέζετε υπερβολικά το εργαλείο.** Η δουλειά θα γίνει καλύτερα και ασφαλέστερα με τον ρυθμό για τον

οποίο προορίζεται.

- **Χρησιμοποιείτε το σωστό εργαλείο.** Μην πιέζετε μικρά εργαλεία να κάνουν τη δουλειά εργαλείων βαριάς χρήσης. Μην χρησιμοποιείτε εργαλεία για μη επιθυμητούς σκοπούς, π.χ. μην χρησιμοποιείτε κυκλικούς κόττες για να κόψετε κλαδιά δέντρων ή κούτσουρα.
- **Ντυθείτε κατάλληλα.** Μην φοράτε χαλαρά ρούχα ή κοσμήματα γιατί μπορεί να πιαστούν στα κινούμενα εξαρτήματα. Προτείνονται αντολισθητικά υποδήματα όταν εργάζεστε σε εξωτερικούς χώρους. Καλύπτετε τα μαλλιά σας αν είναι μακριά.
- **Χρησιμοποιείτε προστατευτικό εξοπλισμό.** Χρησιμοποιείτε γυαλιά ασφαλείας. Χρησιμοποιείτε μάσκα προσώπου ή κατά της σκόνης όταν οι εργασίες παράγουν σκόνη / πριονίδια.
- **Συνδέστε τον εξοπλισμό απομάκρυνσης σκόνης / πριονιδίου.** Αν το εργαλείο διαθέτει σύνδεση απομάκρυνσης σκόνης / πριονιδίου και εξοπλισμό συλλογής, βεβαιωθείτε ότι έχουν συνδεθεί και χρησιμοποιούνται σωστά.
- **Προσέχετε στη χρήση του καλωδίου.** Μην τραβάτε ποτέ το καλώδιο για να το αποσυνδέσετε από την τρία. Διατηρείτε το καλώδιο μακριά από θερμότητα, λάδι και αιχμηρές γωνίες.
- **Ασφαλής εργασία.** Όπου είναι δυνατό, χρησιμοποιήστε σφιγκτήρες ή μέγγενη για να συγκρατήσετε το τεμάχιο εργασίας. Είναι ασφαλέστερο από το να χρησιμοποιείτε το χέρι σας.
- **Μην τεντώνετε.** Διατηρείτε σταθερό πάτημα και ισορροπία συνεχώς.
- **Συντηρείτε προσεκτικά τα εργαλεία.** Διατηρείτε τα εργαλεία κοπής αιχμηρά και καθαρά για καλύτερη και ασφαλέστερη απόδοση. Ακολουθήστε τις οδηγίες για τη λίπανση και αλλαγή εξαρτημάτων. Ελέγχετε τακτικά τα καλώδια του εργαλείου και αν έχουν φθαρεί, επισκευάστε τα πηγαίνοντάς τα σε εξουσιοδοτημένη εγκατάσταση σέρβις. Ελέγχετε τακτικά τα καλώδια προέκτασης και προχωρήστε σε αντικαταστάσεις εάν έχουν φθαρεί. Διατηρείτε τις λαβές στεγνές, καθαρές και χωρίς λάδι και γράσο.
- **Αποσυνδέστε τα εργαλεία.** Όταν δεν χρησιμοποιούνται, πριν το σέρβις και κατά την αλλαγή εξαρτημάτων όπως λεπίδες, μικρά εξαρτήματα και κόττες, αποσυνδέετε τα εργαλεία από το ρεύμα.
- **Αφαιρέστε κλειδιά προσαρμογής και άλλα κλειδιά.** Ελέγχετε πάντα ότι τα κλειδιά και τα κλειδιά προσαρμογής έχουν αφαιρεθεί από το εργαλείο πριν το ενεργοποιήσετε.
- **Αποφύγετε τις τυχαίες εκκινήσεις.** Βεβαιωθείτε ότι ο διακόπτης βρίσκεται στη θέση "off" όταν συνδέετε το εργαλείο.
- **Χρησιμοποιείτε προεκτάσεις καλωδίων**





## Ελληνικά

για εξωτερικούς χώρους. Όταν το εργαλείο χρησιμοποιείται σε εξωτερικό χώρο, χρησιμοποιείτε μόνο καλώδια προέκτασης κατάλληλα για εξωτερική χρήση και με την αντίστοιχη σήμανση.

- **Παραμείνετε σε εγρήγορση.** Προσέχετε τι κάνετε, χρησιμοποιείτε κοινή λογική και μην χρησιμοποιείτε το εργαλείο αν είστε κουρασμένοι.
- **Ελέγξτε για φθαρμένα εξαρτήματα.** Πριν χρησιμοποιήσετε άλλο το εργαλείο, θα πρέπει να ελεγχθεί προσεκτικά για να βεβαιωθεί ότι λειτουργεί σωστά και εκτελεί την επιθυμητή λειτουργία. Ελέγξτε την ευθυγράμμιση των κινούμενων εξαρτημάτων, τυχόν πιάσιμο αυτών, σπασίματα, στερήωση και άλλες καταστάσεις που μπορεί να επηρεάζουν τη λειτουργία του εργαλείου. Προστατευτικά ή άλλα εξαρτήματα που έχουν φθαρεί θα πρέπει να συντηρούνται κατάλληλα ή να αντικαθίστανται από εξουσιοδοτημένο κέντρο σέρβις, εκτός αν αναφέρεται άλλως στο παρόν χειριδίο χρήσης. Επισκευάστε τους ελαττωματικούς διακόπτες σε εξουσιοδοτημένο κέντρο σέρβις. Μην χρησιμοποιείτε το εργαλείο αν δεν ενεργοποιείται και απενεργοποιείται.
- **Προειδοποίηση.** Η χρήση οποιουδήποτε εξαρτήματος ή προσαρτήματος εκτός του προτεινόμενου σε αυτές τις οδηγίες, μπορεί να αποτελεί κίνδυνο τραυματισμού.
- **Επισκευάζετε το εργαλείο πηγαίνοντάς το σε ειδικευμένους τεχνικούς.** Το παρόν ηλεκτρικό εργαλείο συμμορφώνεται με τους σχετικούς κανόνες ασφαλείας. Οι επισκευές θα πρέπει να διενεργούνται μόνο από ειδικευμένα άτομα με χρήση αυθεντικών ανταλλακτικών, διαφορετικά μπορεί να προκύψει σημαντικός κίνδυνος για τον χρήστη.

### ΠΡΟΕΙΔΟΠΟΙΗΣΕΙΣ ΑΣΦΑΛΕΙΑΣ ΠΡΙΟΝΟΚΟΡΔΕΛΑΣ

- Στερεώστε καλά το πριόνι με σφιγκτήρα ή μπουλόνι σε πάγκο εργασίας ή βάση περίπου στο ύψος του ισχίου σας.
- Μην λειτουργείτε ποτέ το προϊόν στο δάπεδο.
- Αποφύγετε αδέξιες λειτουργίες και θέσεις χεριών όπου μια ξαφνική ολίσθηση θα μπορούσε να προκαλέσει "πιάσιμο" του χεριού σας από την λεπίδα. Βεβαιωθείτε πάντα ότι έχετε καλή ισορροπία.
- Αφήστε τον κινητήρα να φθάσει στην πλήρη ταχύτητα πριν ξεκινήσετε την κοπή ώστε να αποφύγετε εμπλοκή ή κόλλημα.
- Μην χρησιμοποιείτε το προϊόν αν ο διακόπτης του δεν το ενεργοποιεί και απενεργοποιεί. Επισκευάστε τους ελαττωματικούς διακόπτες σε εξουσιοδοτημένο κέντρο σέρβις.
- **Ανταλλακτικά.** Οποιαδήποτε επισκευή, είτε ηλεκτρολογική είτε μηχανική, πρέπει να εκτελείται από εξειδικευμένο τεχνικό σέρβις σε εξουσιοδοτημένο

κέντρο σέρβις.

- **Κατά τη συντήρηση, χρησιμοποιείτε μόνο πανομοιότυπα ανταλλακτικά.** Η χρήση οποιουδήποτε άλλου ανταλλακτικού μπορεί να παρουσιάσει κίνδυνο ή να προκαλέσει ζημιά στο εργαλείο σας.
- **Διατηρείτε τα χέρια σας μακριά από την περιοχή κοπής.** Μην κρατάτε με το χέρι τεμάχια τόσο μικρά ώστε να μπορούν τα δάχτυλά σας να μπουν κάτω από το προστατευτικό της λεπίδας. Μην βάζετε τα χέρια σας ή τα δάχτυλά σας κάτω από το τεμάχιο στο οποίο εργάζεστε ή στην διαδρομή κοπής της λεπίδας για οποιονδήποτε λόγο.
- **Ποτέ μην κόβετε περισσότερα από ένα τεμάχια ταυτόχρονα και μην στοιβάζετε περισσότερα από ένα τεμάχια εργασίας στο τραπέζι του πριονιού ταυτόχρονα.**
- **Μην τροφοδοτείτε το υλικό υπερβολικά γρήγορα.** Μην πιέζετε το τεμάχιο εργασίας πάνω στη λεπίδα.
- **Χρησιμοποιείτε μόνο σωστές λεπίδες.** Χρησιμοποιείτε το σωστό μέγεθος και τύπο λεπίδας για το υλικό και τον τύπο κοπής. Τα δόντια της λεπίδας πρέπει να βλέπουν προς τα κάτω προς το τραπέζι.
- **Πάντα στηρίζετε τα μεγάλα τεμάχια εργασίας ενώ κόβετε** ώστε να ελαχιστοποιείται ο κίνδυνος μαγκώματος και αναπήδησης της λεπίδας. Το πριόνι μπορεί να γλιστρήσει, να μεταποτιστεί ή να σπυρθεί ενώ κόβετε μεγάλες ή βαριές σανίδες.
- **Μην αφαιρείτε μαγκωμένα αποκομμένα τεμάχια αν δεν σταματήσει η λεπίδα.**
- **Μην χρησιμοποιείτε πριονοταινίες που έχουν υποστεί ζημιά ή έχουν παραμορφωθεί.**
- **Να αντικαθίσταται το φθαρμένο ένθετο του πάγκου.**
- **Συνδέστε τον κόπτη σε συσκευή απομάκρυνσης πριονιδιού όταν κόβετε ξύλο.**
- **Μην λειτουργείτε το προϊόν όταν το προστατευτικό της πριονοταινίας είναι ανοικτό.**
- **Επιλέξτε την πριονοταινία και την ταχύτητα ανάλογα με το υλικό που πρόκειται να κόψετε.**
- **Μην καθαρίζετε την πριονοταινία ενώ βρίσκεται σε κίνηση.**
- **Φοράτε γάντια κατά το χειρισμό της πριονοταινίας και ακατέργαστου υλικού.**
- **Χρησιμοποιείτε ραβδί ώθησης όταν κάνετε ευθεία κοπή μικρών κατεργαζόμενων τεμαχίων με χρήση του προφυλακτήρα.**
- **Μετακινείτε το προϊόν με το προστατευτικό της ταινίας εντελώς κάτω και κοντά στο τραπέζι.**
- **Τοποθετείτε τον προφυλακτήρα στην κάτω πλευρά του τραπέζιού όταν κάνετε λοξοτομή με το τραπέζι κεκλιμένο.**





## Ελληνικά

- Χρησιμοποιείτε κατάλληλη συσκευή συγκράτησης όταν κόβετε στρογγυλή ξυλεία ή ξυλεία ακανόνιστου σχήματος ώστε να αποτρέψετε τη συστολή του κατεργαζόμενου τεμαχίου.
- Μην χρησιμοποιείτε προστατευτικά για χειρισμό ή μεταφορά
- Ρυθμίστε το ρυθμιζόμενο προστατευτικό όσο το δυνατόν πιο κοντά στο κατεργαζόμενο τεμάχιο είναι πρακτικά εφικτό.
- Μην αγγίζετε ποτέ τη λεπίδα ή άλλα κινούμενα εξαρτήματα κατά τη χρήση.
- Πριν αλλάξετε τη διαμόρφωση και αφαιρέσετε τα καλύμματα, τα προστατευτικά ή τις λεπίδες, αποσυνδέστε το πριόνι από την τροφοδοσία ρεύματος.
- Πιέζετε πάντα το τεμάχιο εργασίας πάνω στο τραπέζι εργασίας.
- Για να αποφύγετε τυχαία επαφή με τη λεπίδα, να ελαχιστοποιήσετε θραύση των λεπίδων και να παράσχετε μέγιστη στήριξη της λεπίδας. Πάντα ρυθμίζετε τη διάταξη του οδηγού λεπίδας για να απομακρύνετε απλώς το κατεργαζόμενο τεμάχιο.
- Διατηρείτε τις λεπίδες καθαρές, αιχμηρές και σε σωστή θέση. Οι αιχμηρές λεπίδες ελαχιστοποιούν το στολάρισμα και την επιστροφή.
- Απενεργοποιείτε πάντα τον κόπτη πριν τον αποσυνδέσετε, για να αποφευχθεί τυχαία εκκίνηση κατά την επανασύνδεση στην παροχή ρεύματος.
- Βεβαιωθείτε ότι ο χώρος εργασίας έχει επαρκή φωτισμό ώστε να βλέπετε το τεμάχιο εργασίας και ότι δεν υπάρχουν εμπόδια στην ασφαλή χρήση, προτού εκτελέσετε οποιαδήποτε εργασία με τον κόπτη.
- Οι οδηγοί της λεπίδας έχουν προρυθμιστεί στο εργοστάσιο. Οι ρυθμίσεις αυτές είναι λειτουργικές για ορισμένες εφαρμογές. Συνιστούμε να ελέγχετε και να προσαρμόζετε τις ρυθμίσεις του οδηγού της λεπίδας πριν την πρώτη χρήση του πριονιού σας. Ανατρέξτε στις διαδικασίες για τη "Ρύθμιση εδράνων ώσης και στήριξης οδηγού λεπίδας" που εξηγούνται στην ενότητα ΡΥΘΜΙΣΕΙΣ στο παρόν εγχειρίδιο χειριστή.
- Μην χρησιμοποιείτε το εργαλείο για να κόβετε μέταλλο.
- Το εργαλείο πρέπει να έχει τις παρακάτω σημάνσεις:
  - Φοράτε προστατευτικά ματιών
  - Διατηρείτε τα χέρια σας μακριά από την λεπίδα.
  - Μην αφαιρείτε μαγκωμένα ή αποκομμένα τεμάχια αν δεν σταματήσει η λεπίδα.
  - Βεβαιωθείτε ότι η λεπίδα έχει τοποθετηθεί με τα δόντια να βλέπουν προς τα κάτω.
  - Διατηρείτε τη σωστή ρύθμιση της έντασης της

λεπίδας, των οδηγών της λεπίδας και των εδράνων ώσης.

- Ρυθμίζετε τον πάνω οδηγό για να απομακρύνετε απλώς το τεμάχιο εργασίας.
- Κρατάτε σταθερά το τεμάχιο εργασίας σταθερά κόντρα στο τραπέζι όταν κόβετε.
- Αν το καλώδιο παροχής ρεύματος φθαρεί, πρέπει να αντικατασταθεί μόνο από τον παρασκευαστή ή εξουσιοδοτημένο κέντρο σέρβις για αποφυγή κινδύνων.
- Φυλάξτε αυτές τις οδηγίες. Συμβουλευτείτε συχνά τις οδηγίες και χρησιμοποιήστε τις για να ενημερώσετε άλλους χρήστες. Αν δανείσετε σε κάποιον το εργαλείο, δώστε μαζί και αυτές τις οδηγίες.

### ΗΛΕΚΤΡΙΚΑ

#### ΚΑΛΩΔΙΑ ΠΡΟΕΚΤΑΣΗΣ

Χρησιμοποιείτε μόνο τριφασικά καλώδια προέκτασης που έχουν τριπλά αρσενικά γειωμένα βύσματα και τριπολικές υποδοχές που συμβαδίζουν με το βύσμα του προϊόντος. Όταν χρησιμοποιείτε ένα ηλεκτροκίνητο εργαλείο σε μεγάλη απόσταση από την παροχή ρεύματος, χρησιμοποιήστε ένα καλώδιο προέκτασης αρκετά δυνατό για να αντέξει το ρεύμα που αντλεί το προϊόν. Ένα καλώδιο μικρότερου μεγέθους θα προκαλέσει μια πτώση τάσης, καταλήγοντας σε απώλεια ισχύος και υπερθέρμανση του κινητήρα.

Πριν χρησιμοποιήσετε καλώδιο προέκτασης, επιθεωρήστε το για χαλαρά ή εκτεθειμένα σύρματα ή φθαρμένο μονωτικό.

#### ⚠ ΠΡΟΕΙΔΟΠΟΙΗΣΗ

Διατηρείτε το καλώδιο της προέκτασης μακριά από τον χώρο εργασίας. Τοποθετήστε το καλώδιο με τέτοιο τρόπο ώστε να μη πιαστεί σε ξυλεία, εργαλεία ή άλλα εμπόδια ενώ χειρίζεστε ένα ηλεκτροκίνητο εργαλείο. Η μη τήρηση της σύστασης αυτής μπορεί να προκαλέσει σοβαρό σωματικό τραυματισμό.

#### ⚠ ΠΡΟΕΙΔΟΠΟΙΗΣΗ

Ελέγχετε τα καλώδια προέκτασης πριν από κάθε χρήση. Σε περίπτωση φθοράς, αντικαταστήστε τα άμεσα. Μην χρησιμοποιείτε ποτέ εργαλεία με φθαρμένα καλώδια, αφού η επαφή με τη φθαρμένη περιοχή μπορεί να προκαλέσει ηλεκτροπληξία και σοβαρό τραυματισμό.

#### ΗΛΕΚΤΡΟΛΟΓΙΚΗ ΣΥΝΔΕΣΗ

Το προϊόν τροφοδοτείται από ηλεκτρικό κινητήρα ακριβείας. Θα πρέπει να συνδέεται σε παροχή ρεύματος 220~240 V, μόνο AC (κανονικό οικιακό ρεύμα), 50 Hz.





## Ελληνικά

Μην χρησιμοποιείτε το προϊόν με συνεχές ρεύμα (DC). Μια σημαντική πτώση τάσης θα προκαλέσει απώλεια ισχύος και υπερθέρμανση του κινητήρα. Αν το προϊόν δεν λειτουργεί ενώ το έχετε συνδέσει στην πρίζα, ελέγξτε ξανά την παροχή ρεύματος.

### ΤΑΧΥΤΗΤΑ ΚΑΙ ΚΑΛΩΔΙΩΣΗ

Η ταχύτητα του μηχανήματος χωρίς φορτίο είναι κατά προσέγγιση 11 m/s. Αυτή η ταχύτητα δεν είναι σταθερή και μειώνεται με την ύπαρξη φορτίου ή με χαμηλότερη τάση. Σε ό,τι αφορά στην τάση, η καλωδίωση σε ένα κατάστημα είναι εξίσου σημαντική με την ονομαστική ισχύς εισόδου του κινητήρα. Γραμμή που διατίθεται μόνο για φωτισμό δεν μπορεί να λειτουργήσει σωστά με κινητήρα μηχανοκίνητου εργαλείου. Σύρμα που είναι αρκετά βαρύ για μικρή απόσταση, είναι υπερβολικά ελαφρύ για μεγαλύτερες αποστάσεις. Μια γραμμή που μπορεί να υποστηρίξει ένα μηχανοκίνητο εργαλείο, μπορεί να μην είναι σε θέση να υποστηρίξει δύο ή τρία.

### ΟΔΗΓΙΕΣ ΓΕΙΩΣΗΣ

Το προϊόν πρέπει να γειωθεί. Σε περίπτωση δυσλειτουργίας ή προβλήματος, η γείωση αποτελεί την τελευταία αντίσταση στο ηλεκτρικό ρεύμα, μειώνοντας τον κίνδυνο ηλεκτροπληξίας. Το προϊόν είναι εξοπλισμένο με ηλεκτρικό καλώδιο που διαθέτει αγωγό γείωσης εξοπλισμού και βύσμα γείωσης. Το βύσμα πρέπει να συνδεθεί σε αντίστοιχη πρίζα που είναι σωστά εγκατεστημένη και γειωμένη, σύμφωνα με τους τοπικούς κώδικες και κανόνες.

Μην τροποποιείτε το παρεχόμενο βύσμα. Αν δεν ταιριάζει στην πρίζα, φροντίστε για την τοποθέτηση κατάλληλης από ειδικευμένο ηλεκτρολόγο. Επισκευάζετε ή αντικαθίστε τα κατεστραμμένα ή φθαρμένα καλώδια αμέσως.

### ΑΛΛΟΙ ΚΙΝΔΥΝΟΙ

Ακόμη και όταν το προϊόν χρησιμοποιείται σύμφωνα με τις οδηγίες, δεν είναι δυνατή η απόλυτη απαλειφή συγκεκριμένων παραγόντων κινδύνου. Κατά τη χρήση μπορεί να προκύψουν οι ακόλουθοι κίνδυνοι και ο χειριστής πρέπει να δίδει ιδιαίτερη προσοχή προς αποφυγή των εξής:

- Επιστροφή τεμαχίων εργασίας και εξαρτημάτων τους λόγω σφαλμένης προσαρμογής ή χειρισμού.
- Βλάβες στο αναπνευστικό σύστημα.  
**ΣΗΜΕΙΩΣΗ** Φορέστε μάσκα προστασίας της αναπνοής που περιέχουν κατάλληλα φίλτρα για τα υλικά που επεξεργάζεστε. Βεβαιωθείτε ότι υπάρχει επαρκής εξαερισμός του χώρου εργασίας. Μην τρώτε, πίνετε ή καπνίζετε στον χώρο εργασίας.
- Βλάβες στην ακοή αν δεν χρησιμοποιούνται αποτελεσματικά προστατευτικά ακοής.

### ΓΝΩΡΙΣΤΕ ΤΟ ΠΡΟΪΟΝ ΣΑΣ

Βλ. Σχήμα 1.

Για να χρησιμοποιήσετε με ασφάλεια το προϊόν, πρέπει να κατανοείτε τις πληροφορίες σε αυτό και στο εγχειρίδιο χρήστη και να είστε εξοικειωμένοι με την εργασία που προσπαθείτε να εκτελέσετε. Πριν χρησιμοποιήσετε το εργαλείο αυτό, εξοικειωθείτε με όλες τις λειτουργίες και ιδιαιτερότητές του όσον αφορά την ασφάλεια.

#### ΚΟΥΜΠΙ ΡΥΘΜΙΣΗΣ ΓΩΝΙΑΣ

Γέρνει το τραπέζι του πριονιού για λοξοτομή.

#### ΠΡΟΣΤΑΤΕΥΤΙΚΟ ΛΕΠΙΔΑΣ

Προστατεύει το χειριστή ώστε να μην έρθει σε επαφή με τη λεπίδα.

#### ΚΟΥΜΠΙ ΡΥΘΜΙΣΗΣ ΟΔΗΓΟΥ ΛΕΠΙΔΑΣ

Χρησιμοποιήστε το κουμπί ρύθμισης του οδηγού λεπίδας για να ρυθμίσετε τη διάταξη του οδηγού της λεπίδας προς τα πάνω ή προς τα κάτω και για να εμποδίσετε τη συστροφή ή θραύση της λεπίδας. Πάντα ασφαλίστε τη διάταξη του οδηγού της λεπίδας στη θέση της πριν ενεργοποιήσετε την πριονοταινία.

#### ΟΔΗΓΟΙ ΛΕΠΙΔΑΣ

Ο πάνω και κάτω οδηγός λεπίδας βοηθούν ώστε να μην συστρέφεται η λεπίδα κατά τη λειτουργία της.

#### ΘΥΡΑ ΕΞΑΓΩΓΗΣ ΣΚΟΝΗΣ

Μια θύρα εξαγωγής σκόνης των 53 mm (2-1/8") καθιστά εφικτή την κοπή χωρίς παρουσία σκόνης. Προσαρτήστε σάκο σκόνης (δεν συμπεριλαμβάνεται) ή ηλεκτρική σκούπα στη θύρα εξαγωγής σκόνης.

#### ΒΙΔΑ ΑΣΦΑΛΙΣΗΣ ΚΑΛΥΜΜΑΤΟΣ

Επιτρέπει το άνοιγμα του εμπρός καλύμματος για να γίνονται ρυθμίσεις.

#### ΕΛΑΣΜΑ ΦΑΛΤΣΟΥ

Αυτό το έλασμα ευθυγραμμίζει το ξύλο για εγκάρσια κοπή. Η ευανάγνωστη ένδειξη δείχνει επακριβώς τη γωνία για φάλτσοτομή στις 15°, 30°, 45° και 60°.

#### ΜΟΧΛΟΣ ΕΝΤΑΣΗΣ ΛΕΠΙΔΑΣ RAPIDSET™

Ελέγχει την ένταση της λεπίδας όταν αλλάζετε λεπίδες και κάνετε ρυθμίσεις για διάφορες εφαρμογές πρίσις.

#### ΛΕΠΙΔΑ ΚΟΠΤΗ

Το πριόνι είναι εξοπλισμένο με τυπική λεπίδα των 6,35 mm (1/4").



## Ελληνικά

### ΤΡΑΠΕΖΙ ΠΡΙΟΝΙΟΥ ΜΕ ΠΛΑΚΑ ΔΟΝΤΙΩΝ

Η πριονοκορδέλα σας διαθέτει τραπέζι πριονιού με έλεγχο κλίσης. Η πλάκα δοντιών, τοποθετημένη στο τραπέζι πριονιού στο εργοστάσιο, επιτρέπει την απόσταση από τη λεπίδα.

### ΚΛΙΜΑΚΑ ΚΑΙ ΕΝΔΕΙΞΗ ΚΛΙΜΑΚΑΣ

Η κλίμακα και η ένδειξη κλίμακας δείχνουν η γωνία ή τος μοίρες κλίσης του τραπέζιού για λοξοτομή.

### ΜΟΧΛΟΣ ΑΣΦΑΛΙΣΗΣ ΤΡΑΠΕΖΙΟΥ

Η χαλάρωση του μοχλού ασφάλισης του τραπέζιού επιτρέπει να γείρετε το τραπέζι πριονιού σε διαφορετικές γωνίες. Το σφίξιμο του μοχλού ασφάλισης του τραπέζιού κλειδώνει το τραπέζι πριονιού στη θέση του.

### ΚΟΥΜΠΙ ΔΙΑΔΡΟΜΗΣ

Προσαρμόζει τη διαδρομή ώστε να μένει η λεπίδα κεντραρισμένη στους τροχούς.

### ΠΑΡΑΘΥΡΟ ΘΕΑΣΗΣ ΔΙΑΔΡΟΜΗΣ

Το παράθυρο θέασης διαδρομής κάνει ευκολότερο να βλέπετε τις ρυθμίσεις της διαδρομής.

### ΡΑΒΔΙ ΩΘΗΣΗΣ

Πάντα χρησιμοποιείτε το ραβδί ώθησης για να τροφοδοτείτε το κατεργαζόμενο τεμάχιο μέχρι να απομακρυνθεί από το τραπέζι.

### ΛΙΣΤΑ ΜΗ ΣΤΑΘΕΡΩΝ ΤΜΗΜΑΤΩΝ

Περιγραφή	Ποσότη.
Ροδέλες	7
Μοχλός ασφάλισης τραπέζιού	1
Εξαγωνικό κλειδί , 3 mm	1
Εξαγωνικό κλειδί , 4 mm	1
Εξαγωνικό κλειδί , 5 mm	1
Έλασμα φάλτσου	1
Θολωτά παξιμάδια	4
Πόδια	4
Τραπέζι πριονιού	1
Μπουλόνια ασφάλισης	2
Εξάγωνα παξιμάδια	2
Στήριξη επέκτασης	1
Προφυλακτικός σχισμάτος	1

Ραβδί ώθησης	1
Εγχειρίδιο χρήσης	1

### ΣΥΝΑΡΜΟΛΟΓΗΣΗ

#### ΑΝΟΙΓΜΑ ΣΥΣΚΕΥΑΣΙΑΣ

Το προϊόν αυτό απαιτεί συναρμολόγηση.

- Βγάλτε προσεκτικά το προϊόν από το κιβώτιο και τοποθετήστε το σε επίπεδη επιφάνεια εργασίας.

#### ⚠ ΠΡΟΕΙΔΟΠΟΙΗΣΗ

Μην χρησιμοποιήσετε το προϊόν αυτό αν έχουν ήδη συναρμολογηθεί κάποια εξαρτήματα που αναφέρονται στη Λίστα μη σταθερών τμημάτων πάνω στο προϊόν σας όταν αφαιρείτε τη συσκευασία. Τα εξαρτήματα της λίστας αυτής δεν συναρμολογούνται πάνω στο προϊόν από τον κατασκευαστή και απαιτούν τοποθέτηση από τον πελάτη. Η χρήση ενός προϊόντος που μπορεί να έχει συναρμολογηθεί λανθασμένα θα μπορούσε να οδηγήσει σε σοβαρό ατομικό τραυματισμό.

- Επιθεωρήστε προσεκτικά το εργαλείο για να βεβαιωθείτε ότι δεν πρόκειται να θραύσει ή ζημιιά κατά την αποστολή. **ΣΗΜΕΙΩΣΗ** Το πριόνι αυτό απεσταλή χωρίς ένταση της λεπίδας. Μην ενεργοποιήσετε το πριόνι αυτό μέχρι να ρυθμιστεί σωστά η ένταση της λεπίδας.
- Μην απορρίψετε το υλικό συσκευασίας μέχρι να εξετάσετε προσεκτικά το εργαλείο και να το έχετε λειτουργήσει ικανοποιητικά.
- Αν κάποια εξαρτήματα έχουν υποστεί ζημιιά ή λείπουν, καλέστε το κέντρο σέρβις για βοήθεια.

#### ⚠ ΠΡΟΕΙΔΟΠΟΙΗΣΗ

Αν κάποια εξαρτήματα έχουν υποστεί ζημιιά ή λείπουν, μην λειτουργήσετε το προϊόν αυτό μέχρι να αντικατασταθούν τα εξαρτήματα. Η χρήση του προϊόντος αυτού με εξαρτήματα που έχουν υποστεί ζημιιά ή λείπουν θα μπορούσε να οδηγήσει σε σοβαρό ατομικό τραυματισμό.

#### ⚠ ΠΡΟΕΙΔΟΠΟΙΗΣΗ

Μην προσπαθήσετε να τροποποιήσετε το εργαλείο σας ή να προσθέσετε εξαρτήματα η χρήση των οποίων δε συνιστάται. Κάθε τέτοια τροποποίηση ή αλλαγή αποτελεί κατάχρηση και μπορεί να οδηγήσει σε επικίνδυνες συνθήκες και σε πιθανό σοβαρό τραυματισμό.



## Ελληνικά

### ▲ ΠΡΟΕΙΔΟΠΟΙΗΣΗ

Μην συνδέσετε με τροφοδοσία ρεύματος μέχρι να ολοκληρωθεί η συναρμολόγηση. Αν δεν συμμορφωθείτε με την οδηγία αυτή, θα μπορούσε να προκύψει ενεργοποίηση κατά λάθος και πιθανός σοβαρός ατομικός τραυματισμός.

### ΣΤΕΡΕΩΣΗ ΤΟΥ ΠΡΟΪΟΝΤΟΣ ΣΕ ΠΑΓΚΟ ΕΡΓΑΣΙΑΣ

Αν το προϊόν πρόκειται να χρησιμοποιηθεί σε μόνιμη θέση, πρέπει να στερεωθεί σε σταθερή επιφάνεια στήριξης, όπως πάγκο εργασίας. Διατίθενται τέσσερις σπές μπουλονιών στη βάση του πριονιού για το σκοπό αυτό. Τα μπουλόνια (δεν συμπεριλαμβάνονται) θα πρέπει να έχουν επαρκές μήκος για να χωρέσει η βάση του πριονιού, οι ροδέλες ασφάλισης (δεν συμπεριλαμβάνονται), τα εξάγωνα παξιμάδια (δεν συμπεριλαμβάνονται), και το πάχος του πάγκου εργασίας. Σφίξτε καλά και τα τέσσερα μπουλόνια.

Ελέγξτε προσεκτικά τον πάγκο εργασίας μετά τη στερέωση για να βεβαιωθείτε ότι δεν μπορεί να υπάρξει κίνηση κατά τη χρήση. Αν παρατηρηθεί κλίση, ολίσθηση ή μετακίνηση, στερεώστε τον πάγκο εργασίας στο δάπεδο πριν τη λειτουργία.

- Τοποθετήστε το προϊόν στον πάγκο εργασίας. Χρησιμοποιώντας τη βάση του πριονιού ως πρότυπο, εντοπίστε και σημειώστε τις σπές όπου πρόκειται να στερεωθεί το προϊόν.
- Φτιάξτε σπές διαμέσου του πάγκου εργασίας.
- Τοποθετήστε την πριονοκορδέλα στον πάγκο εργασίας ευθυγραμμίζοντας τις σπές στη βάση του πριονιού με τις σπές που φτιάξατε στον πάγκο εργασίας.
- Εισαγάγετε μπουλόνια (δεν συμπεριλαμβάνονται) και σφίξτε καλά με ροδέλες ασφάλισης και εξάγωνα παξιμάδια (δεν συμπεριλαμβάνονται). **ΣΗΜΕΙΩΣΗ** Όλα τα μπουλόνια πρέπει να εισαχθούν από το πάνω μέρος. Τοποθετήστε τις ροδέλες ασφάλισης και τα εξάγωνα παξιμάδια από την κάτω μεριά του πάγκου.

### ΣΤΕΡΕΩΣΗ ΜΕ ΣΦΙΓΚΤΗΡΑ ΤΟΥ ΠΡΟΪΟΝΤΟΣ ΣΕ ΠΑΓΚΟ ΕΡΓΑΣΙΑΣ

Βλ. Σχήμα 4.

Αν το προϊόν πρόκειται να χρησιμοποιηθεί ως φορητό εργαλείο, συνιστάται να το στερεώσετε μόνιμα σε μια πλάκα στερέωσης που μπορεί εύκολα να τοποθετηθεί με σφιγκτήρα σε πάγκο εργασίας ή άλλη επιφάνεια στήριξης. Η πλάκα στερέωσης θα πρέπει να έχει επαρκές μέγεθος ώστε να αποτρέπεται η πτώση του πριονιού κατά τη χρήση. Συνιστάται οποιαδήποτε μοριοσανίδα ή κόντρα πλακέ καλής κλάσης με πάχος 19 mm (3/4").

Αν χρησιμοποιηθούν πριτσίνια, φροντίστε να είναι αρκετά μακριά ώστε να περάσουν μέσα από τις σπές της βάσης

του πριονιού και από το υλικό στο οποίο στερεώνεται το πριόνι. Αν χρησιμοποιηθούν περικόχλια, φροντίστε να είναι αρκετά μακριά ώστε να περάσουν μέσα από τις σπές της βάσης του πριονιού, από το υλικό στο οποίο στερεώνεται το πριόνι, καθώς και τις ροδέλες ασφάλισης και τα εξάγωνα παξιμάδια.

### ΣΗΜΕΙΩΣΗ ΜΠΟΡΕΙ ΝΑ ΧΡΕΙΑΣΤΕΙ ΝΑ ΒΥΘΙΣΕΤΕ ΤΑ ΕΞΑΓΩΝΑ ΠΑΞΙΜΑΔΙΑ ΚΑΙ ΤΙΣ ΡΟΔΕΛΕΣ ΣΤΗΝ ΚΑΤΩ ΜΕΡΙΑ ΤΗΣ ΠΛΑΚΑΣ ΣΤΕΡΕΩΣΗΣ.

- Στερεώστε το πριόνι στην πλάκα χρησιμοποιώντας τις σπές στη βάση του πριονιού ως πρότυπο για το μοτίβο σπών. Εντοπίστε και σημειώστε τις σπές όπου πρόκειται να στερεωθεί η πριονοκορδέλα.
- Ακολουθήστε τα τελευταία τρία βήματα της ενότητας Στερέωση του προϊόντος σε πάγκο εργασίας, παραπάνω.

### ΣΤΕΡΕΩΣΗ ΤΟΥ ΤΡΑΠΕΖΙΟΥ ΠΡΙΟΝΙΟΥ

Βλ. Σχήματα 5 - 7.

- Αφαιρέστε το παξιμάδι D, τις ροδέλες και την πεταλούδα από το τραπέζι πριονιού.
- Αφού σταθείτε μπροστά από την πριονοκορδέλα, σύρετε το τραπέζι πριονιού πέρα από τη λεπίδα και μέσω της υποδοχής μετακινώντας από τη δεξιά πλευρά του τραπέζιου του πριονιού προς τα αριστερά.
- Κρατώντας το τραπέζι του πριονιού με το αριστερό χέρι σας ενώ τραβάτε το κουμπί ρύθμισης γωνίας μακριά από το σκελετό του πριονιού, ευθυγραμμίστε τα δόντια του βραχίονα του τραπέζιου του πριονιού μέσα στα δόντια του κουμπιού ρύθμισης της γωνίας. Αφήστε το κουμπί.
- Βάλτε τις ακίδες του σκελετού μέσα στις υποδοχές του βραχίονα του τραπέζιου του πριονιού.
- Εισαγάγετε τη ροδέλα στο άκρο με το σπείρωμα στον μοχλό ασφάλισης του τραπέζιου. Σφίξτε το τραπέζι πριονιού πάνω στο σκελετό του πριονιού στρέφοντας το μοχλό ασφάλισης του τραπέζιου προς τα δεξιά.
- Προσαρτήστε το παξιμάδι D, τις ροδέλες και την πεταλούδα στο τραπέζι πριονιού.

**ΣΗΜΕΙΩΣΗ** Η πεταλούδα πάει κάτω από το τραπέζι του πριονιού.

### ΤΟΠΟΘΕΤΗΣΗ ΕΠΕΚΤΑΣΗΣ ΣΤΗΡΙΞΗΣ

Βλ. Σχήμα 6.

- Εισαγάγετε τους σωλήνες της επέκτασης στήριξης στις σπές της βάσης του πριονιού από το πίσω μέρος.
- Ευθυγραμμίστε τις σπές στους σωλήνες με εκείνες στη βάση του πριονιού.
- Εισαγάγετε τα μπουλόνια ασφάλισης και σφίξτε με ροδέλες και εξάγωνα παξιμάδια.







## Ελληνικά

### ΕΥΘΥΓΡΑΜΜΙΣΗ ΤΟΥ ΤΡΑΠΕΖΙΟΥ ΠΡΙΟΝΙΟΥ ΜΕ ΤΗ ΛΕΠΙΔΑ

Βλ. Σχήματα 8 - 9 .

- Στρέψτε το κουμπί ασφάλισης προς τα αριστερά για να ξεκλειδώσετε τη διάταξη οδηγού λεπίδας. Αν στρέψετε το κουμπί ρύθμισης του οδηγού της λεπίδας προς τα δεξιά, ανασκώνεται η διάταξη του οδηγού λεπίδας όσο ψηλά μπορεί να φτάσει. Στρέψτε το κουμπί ασφάλισης προς τα δεξιά για να σφίξετε και πάλι.
- Τοποθετήστε μια μικρή ρυθμιζόμενη γωνία ξυλουργικής στο τραπέζι πριονιού δίπλα στη λεπίδα.
- Χαλαρώστε το μοχλό ασφάλισης τραπέζιου και περιστρέψτε το κουμπί ρύθμισης γωνίας ώστε να γείρετε το τραπέζι προς τα πάνω ή προς τα κάτω και να ευθυγραμμιστεί το τραπέζι 90° με τη λεπίδα (θέση 0°). Σφίξτε και πάλι το μοχλό ασφάλισης τραπέζιου.
- Στρέψτε το μπουλόνι ρύθμισης μέχρι το μπουλόνι απλώς να ακουμπά στο περίβλημα του πριονιού.
- Ελέγξτε την ευθυγράμμιση του τραπέζιου του πριονιού με τη λεπίδα. Επαναλάβετε τις ρυθμίσεις αν χρειαστεί.
- Ρυθμίστε την ένδειξη κλίμακας στο μηδέν και σφίξτε τη βίδα με ένα κατσαβίδι Phillips.

**ΣΗΜΕΙΩΣΗ** Κάντε πάντα μια δοκιμαστική κοπή για να βεβαιωθείτε για την ευθυγράμμιση της λεπίδας πριν ξεκινήσετε οποιοδήποτε νέο έργο. Αν δεν είναι καλή η ευθυγράμμιση, μπορεί να χρειαστεί να χαλαρώσετε τις βίδες κάτω από το τραπέζι πριονιού για να κάνετε τη ρύθμιση (η υποδοχή φάλτσου πρέπει να είναι παράλληλη με τη λεπίδα του πριονιού). Μόλις ευθυγραμμιστούν, σφίξτε και πάλι τις βίδες.

### ΡΥΘΜΙΣΗ ΕΝΤΑΣΗΣ ΛΕΠΙΔΑΣ

Βλ. Σχήματα 10-11 .

- Απενεργοποιήστε το προϊόν.
- Πριν χρησιμοποιήσετε την πριονοκορδέλα, στρέψτε το κουμπί έντασης λεπίδας στο πάνω μέρος του πριονιού προς τα δεξιά για να δώσετε ένταση.
- ΣΗΜΕΙΩΣΗ Ρυθμίσεις της έντασης της λεπίδας μπορούν να γίνουν ανά πάσα στιγμή.
- Τραβάτε την πίσω ευθεία άκρη της λεπίδας του πριονιού σαν να ήταν χορδή κιθάρας ενώ στρέψετε το κουμπί έντασης.

Ο ήχος γίνεται πιο φιλόξυλο όσο αυξάνεται η ένταση. Ποτέ μην αυξάνετε την ένταση της λεπίδας τόσο σφικτά ώστε να συμπιέσετε εντελώς το ελατήριο. Όταν είναι εντελώς συμπίεσμένο, το ελατήριο δεν μπορεί να δρα πλέον ως απορροφητής των κραδασμών.

Υπερβολική ένταση μπορεί να προκαλέσει θραύση της λεπίδας. Τα παχύτερα κατεργαζόμενα τεμάχια απαιτούν υψηλότερη ένταση. Δεν χρειάζεται μέγιστη ένταση για όλες τις κοπές. Υπερβολικά μικρή ένταση μπορεί να προκαλέσει ολίσθηση της λεπίδας πάνω στους τροχούς.

### ΔΙΑΔΡΟΜΗ ΤΗΣ ΛΕΠΙΔΑΣ

Βλ. Σχήμα 11.

Ρυθμίστε σωστά την ένταση της λεπίδας πριν κάνετε ρυθμίσεις της διαδρομής. Βεβαιωθείτε ότι οι οδηγοί της λεπίδας δεν μπλέκονται με τη λεπίδα. Ο πυθμένας της λεπίδας (το βαθύτερο σημείο του δοντιού της λεπίδας) θα πρέπει να βρίσκεται στο κέντρο του ελαστικού.

#### Για να ρυθμίσετε:

Αποσυνδέστε από την τροφοδοσία ρεύματος. Ανοίξτε τα εμπρός καλύμματα ξεβιδώνοντας τη βίδα ασφάλισης καλύμματος. Παρακολουθήστε τη θέση της λεπίδας στο πάνω ελαστικό καθώς στρέψετε αργά με το χέρι τον πάνω τροχό προς τα δεξιά. Αν η λεπίδα απομακρύνεται από το κέντρο του ελαστικού, πρέπει να ρυθμιστεί η διαδρομή.

#### Αν η λεπίδα έχει μετακινηθεί αριστερά ή δεξιά από το κέντρο:

- Στρέψτε το κουμπί διαδρομής λεπίδας (προς τα δεξιά αν η λεπίδα έχει μετακινηθεί αριστερά, προς τα αριστερά αν η λεπίδα έχει μετακινηθεί δεξιά) ενώ στρέψετε τον τροχό με το χέρι μέχρι να πάει στη θέση της η λεπίδα και να βρίσκεται στο κέντρο του ελαστικού.
- Ελέγξτε τη θέση της λεπίδας στο κάτω ελαστικό. Η λεπίδα πρέπει να βρίσκεται εντελώς πάνω στο ελαστικό (πυθμένας των δοντιών της λεπίδας στο κέντρο). Αν δεν βρίσκεται, ρυθμίστε τη διαδρομή μέχρι η λεπίδα να βρίσκεται πάνω και στα δύο ελαστικά.
- Περιστρέψτε τον πάνω τροχό με το χέρι προς τα δεξιά λίγες ακόμα στροφές. Βεβαιωθείτε ότι η λεπίδα παραμένει στην ίδια θέση στα ελαστικά. Ρυθμίστε και πάλι, αν χρειάζεται, μέχρι η διαδρομή της λεπίδας να είναι σωστή.
- Κλείστε τα εμπρός καλύμματα και σφίξτε τη βίδα ασφάλισης καλύμματος.
- Ενεργοποιήστε το προϊόν.
- Επαληθεύστε ότι η λεπίδα του πριονιού είναι κεντραρισμένη στο ελαστικό (μέσω του παραθύρου θέασης διαδρομής). Αν δεν είναι κεντραρισμένη, επαναλάβετε τα παραπάνω βήματα.

### ▲ ΠΡΟΕΙΔΟΠΟΙΗΣΗ

Οι οδηγοί της λεπίδας έχουν προρυθμιστεί στο εργοστάσιο. Οι ρυθμίσεις αυτές είναι λειτουργικές για ορισμένες εφαρμογές. Συνιστούμε να ελέγχετε και να προσαρμόζετε τις ρυθμίσεις του οδηγού της λεπίδας πριν την πρώτη χρήση του πριονιού σας. Ανατρέξτε στις διαδικασίες για τη "Ρύθμιση εδρώνων ώσης και στήριξης οδηγού λεπίδας" που εξηγούνται στην ενότητα ΡΥΘΜΙΣΕΙΣ στο παρόν εγχειρίδιο χειριστή.





## Ελληνικά

### ΤΟΠΟΘΕΤΗΣΗ ΠΡΟΦΥΛΑΚΤΗΡΑ ΣΧΙΣΙΜΑΤΟΣ

- Τοποθετήστε τον προφυλακτήρα σχισίματος στην αριστερή πλευρά του τραπέζιού του πριονιού, με τη λαβή ασφάλισης μπροστά.
- Σπρώξτε προς τα κάτω τη λαβή ασφάλισης για να κλειδώσετε τη θέση του προφυλακτήρα σχισίματος.
- Στρέψτε τη λαβή ασφάλισης για να ρυθμίσετε το σφίξιμο των σφικτήρων.

### ΛΕΙΤΟΥΡΓΙΑ

#### ▲ ΠΡΟΕΙΔΟΠΟΙΗΣΗ

Μην χαλαρώσετε την προσοχή σας αφού εξοικειωθείτε με το εργαλείο σας. Μην ξεχνάτε ποτέ πως ένα δευτερόλεπτο απροσεξίας αρκεί για να τραυματιστείτε σοβαρά.

#### ▲ ΠΡΟΕΙΔΟΠΟΙΗΣΗ

Φοράτε πάντα προστατευτικά ματιών. Η μη τήρηση της σύστασης αυτής μπορεί να προκαλέσει την προβολή ξένων σωμάτων στα μάτια σας επιφέροντας σοβαρές οφθαλμικές βλάβες.

#### ▲ ΠΡΟΕΙΔΟΠΟΙΗΣΗ

Μην χρησιμοποιείτε εξαρτήματα ή μέρη που δεν προτείνονται από τον κατασκευαστή του προϊόντος. Η χρήση μη συνιστώμενων ανταλλακτικών ή εξαρτημάτων μπορεί να επιφέρει κίνδυνο σοβαρού τραυματισμού.

#### ▲ ΠΡΟΕΙΔΟΠΟΙΗΣΗ

Για να αποφύγετε επαφή με τη λεπίδα, ρυθμίζετε τη διάταξη οδηγού λεπίδας για να απομακρύνετε απλώς το κατεργαζόμενο τεμάχιο. Η μη τήρηση της σύστασης αυτής μπορεί να προκαλέσει σοβαρό σωματικό τραυματισμό.

#### ▲ ΠΡΟΕΙΔΟΠΟΙΗΣΗ

Μην λειτουργείτε ποτέ το προϊόν χωρίς να είναι στερεωμένο το προστατευτικό λεπίδας και ασφαλισμένα τα εμπρός καλύμματα. Αν κάνετε κάτι τέτοιο, θα μπορούσε να προκύψει σοβαρός ατομικός τραυματισμός.

### ΒΑΣΙΚΗ ΛΕΙΤΟΥΡΓΙΑ ΤΗΣ ΠΡΙΟΝΟΚΟΡΔΕΛΑΣ

Μια πριονοκορδέλα είναι βασικά ένα μηχάνημα "καμπύλης κοπής" που μπορεί να χρησιμοποιηθεί και για λειτουργίες

ευθείας κοπής, όπως εγκάρσια κοπή, φαλτοσκοπή, λοξοτομή, σύνθετη κοπή και κοπή εγκάρσιως του πάχους. Όταν χρησιμοποιείται η πριονοκορδέλα για ευθεία κοπή, ο χρήστης μπορεί να τοποθετήσει έναν προφυλακτήρα χρησιμοποιώντας ένα τεμάχιο ξύλου κατάλληλου μεγέθους στερεωμένο στο τραπέζι με ημικυκλικούς σφικτήρες. Δεν έχει τη δυνατότητα εσωτερικών ή μη διαμπερών τομών.

Πριν ξεκινήσετε την κοπή, παρατηρήστε το προϊόν να λειτουργεί. Αν παρατηρήσετε υπερβολικούς κραδασμούς ή ασυνήθιστο θόρυβο, σταματήστε αμέσως. Απενεργοποιήστε το προϊόν και αποσυνδέστε το από την τροφοδοσία ρεύματος. Μην ξεκινήσετε πάλι μέχρι να εντοπίσετε και να διορθώσετε το πρόβλημα.

### ΔΙΑΔΙΚΑΣΙΕΣ ΚΟΠΗΣ

- Πιέζετε πάντα το τεμάχιο εργασίας πάνω στο τραπέζι εργασίας.
- Ασκείτε μαλακή πίεση και τα δύο χέρια όταν τροφοδοτείτε τη λεπίδα. Μην ασκείτε πίεση κατά την εργασία. Αφήνετε απλώς τη λεπίδα να κόβει.
- Η μικρότερη διάμετρος κύκλου κοπής καθορίζεται από το πλάτος της λεπίδας. Μια λεπίδα πλάτους 6,35 mm (1/4") κόβει ελάχιστη διάμετρο 38 mm (1-1/2").
- Διατηρείτε τα χέρια σας μακριά από την λεπίδα. Μην κρατάτε με το χέρι τεμάχια τόσο μικρά ώστε να μπορούν τα δάχτυλά σας να μπουν κάτω από το προστατευτικό της λεπίδας.
- Αποφύγετε αδέξιες λειτουργίες και θέσεις χεριών όπου ένα ξαφνικό γλίστρημα θα μπορούσε να προκαλέσει σοβαρό τραυματισμό λόγω επαφής με τη λεπίδα. Μην τοποθετείτε ποτέ τα χέρια στη διαδρομή της λεπίδας.
- Χρησιμοποιείτε πρόσθετα στηρίγματα (τραπέζια, πάγκους πριονιού, μπλοκ, κ.λπ.) όταν κόβετε μεγάλα, μικρά ή ακανόνιστα κατεργαζόμενα τεμάχια.
- Ποτέ μην χρησιμοποιείτε ένα άτομο ως υποκατάστατο επέκτασης τραπέζιού ή ως πρόσθετο στηρίγμα για ένα κατεργαζόμενο τεμάχιο που είναι μακρύτερο ή πλατύτερο από το βασικό τραπέζι πριονιού.
- Όταν κόβετε κατεργαζόμενα τεμάχια ακανόνιστου σχήματος, σχεδιάστε την εργασία σας ώστε να μην μαγκώσει η λεπίδα. Για παράδειγμα, ένα τεμάχιο χύτευσης πρέπει να είναι επίπεδο πάνω στο τραπέζι πριονιού. Τα κατεργαζόμενα τεμάχια δεν πρέπει να συστρέφονται, να ταλαντώνονται ή να γλιστρούν ενώ κόβονται.

Κατά την στήριξη του κατεργαζόμενου τεμαχίου, η λεπίδα μπορεί να μαγκώσει στη γραμμή κοπής. Συνήθως αυτό προκαλείται από σκόνη πριονίσματος που εμφράσσει τη γραμμή κοπής ή όταν η λεπίδα βγαίνει από τους οδηγούς. Αν συμβεί αυτό:

- Απενεργοποιήστε το προϊόν. Περιμένετε μέχρι να σταματήσει εντελώς το πριόνι. Αποσυνδέστε το μηχάνημα από το ρεύμα.





## Ελληνικά

- Ανοίξτε τη γραμμή κοπής καθαρίζοντας με ένα επίπεδο κατασβίδι ή ξύλινη σφήνα.
- Ανοίξτε το εμπρός κάλυμμα και στρέψτε τον πάνω τροχό με το χέρι ενώ στηρίζετε το κατεργαζόμενο τεμάχιο.

### ΤΟΜΕΣ ΑΝΑΚΟΥΦΙΣΗΣ

Οι τομές ανακούφισης γίνονται όταν πρέπει να κοπεί μια περίπλοκη (πολύ μικρής ακτίνας για τη λεπίδα). Κόψτε ένα άχρηστο τμήμα του κατεργαζόμενου τεμαχίου ώστε να χαράξετε μια γραμμή μοτίβου και κατόπιν αποσύρετε προσεκτικά τη λεπίδα. Θα πρέπει να γίνονται αρκετές τομές ανακούφισης για περίπλοκες καμπύλες πριν ακολουθήσετε τη γραμμή μοτίβου καθώς αποκόπτονται κομμάτια της καμπύλης "ανακουφίζοντας" την πίεση της λεπίδας.

### ΚΟΠΕΣ ΚΥΛΙΣΗΣ

Για γενικού τύπου κυλιόμενη κοπή, ακολουθήστε τις γραμμές μοτίβου στρώχοντας και στρέφοντας ταυτόχρονα το κατεργαζόμενο τεμάχιο. Μην προσπαθήσετε να στρέψετε το κατεργαζόμενο τεμάχιο ενώ βρίσκεται στη λεπίδα χωρίς να το στρώξετε. Το κατεργαζόμενο τεμάχιο θα μπορούσε να μαγκώσει ή να συστρέψει τη λεπίδα.

### ΑΦΑΙΡΕΣΗ ΜΑΓΚΩΜΕΝΟΥ ΥΛΙΚΟΥ

Μην αφαιρείτε ποτέ μαγκωμένα αποκομμένα τεμάχια αν δεν έχει σταματήσει τελείως η λεπίδα.

- Απενεργοποιήστε το προϊόν. Περιμένετε μέχρι να σταματήσει εντελώς το πριόνι.
- Αποσυνδέστε το μηχάνημα από το ρεύμα πριν αφαιρέσετε μαγκωμένο υλικό.

### ΑΠΟΦΥΓΗ ΤΡΑΥΜΑΤΙΣΜΩΝ

- Βεβαιωθείτε ότι το πριόνι είναι επίπεδο και δεν ταλαντεύεται. Το πριόνι πρέπει να βρίσκεται πάντα σε σταθερή, επίπεδη επιφάνεια με πολύ χώρο για το χειρισμό και τη σωστή στήριξη του κατεργαζόμενου τεμαχίου.
- Στερεώστε με μπουλόνια στην επιφάνεια στήριξης ώστε να εμποδισετε να γλιστρήσει, να μετατοπιστεί ή να συρθεί ενώ κόβετε μεγάλες ή βαριές σανίδες.
- Απενεργοποιήστε το πριόνι και αποσυνδέστε το καλώδιο από την τροφοδοσία ρεύματος πριν μετακινήσετε το πριόνι.
- Μην αφαιρείτε μαγκωμένα αποκομμένα τεμάχια αν δεν έχει σταματήσει τελείως η λεπίδα.
- Επιλέξτε το σωστό μέγεθος και τύπο λεπίδας για το υλικό και τον τύπο κοπής που σχεδιάζετε.
- Βεβαιωθείτε ότι τα δόντια της λεπίδας βλέπουν προς τα κάτω προς το τραπέζι πριονιού, ότι οι οδηγοί λεπίδας, τα έδρανα ώσης, και η ένταση της λεπίδας

είναι σωστά ρυθμισμένα, ότι το κουμπί οδηγού λεπίδας είναι σφιγμένο και ότι κανένα εξάρτημα δεν παρουσιάζει υπερβολικό τζόγο.

- Για να αποφύγετε τυχαία επαφή με τη λεπίδα, να ελαχιστοποιήσετε θραύση των λεπίδων και να παράσχετε μέγιστη στήριξη της λεπίδας, πάντα ρυθμίζετε τη διάταξη του οδηγού λεπίδας για να απομακρύνετε απλώς το κατεργαζόμενο τεμάχιο.
- Χρησιμοποιείτε μόνο τα συνιστώμενα εξαρτήματα.
- Με εξαίρεση το κατεργαζόμενο τεμάχιο και τις σχετικές συσκευές στήριξης, απομακρύνετε τα πάντα πάνω από το τραπέζι πριονιού πριν ενεργοποιήσετε το πριόνι.
- Στηρίζετε σωστά τα στρογγυλά υλικά, όπως στερεωτικές ράβδους ή σωλήνες, διότι έχουν την τάση να κυλούν στη διάρκεια της κοπής προκαλώντας αναπήδηση της λεπίδας. Για να το αποφύγετε αυτό, χρησιμοποιείτε πάντα ένα μπλοκ τύπου V ή στερεώστε το κατεργαζόμενο τεμάχιο με σφιγκτήρα σε ένα έλασμα φάλτσου.
- Πριν αφαιρέσετε χαλαρά τεμάχια από το τραπέζι πριονιού, απενεργοποιήστε το πριόνι και περιμένετε να σταματήσει η κίνηση όλων των κινούμενων εξαρτημάτων.

### ΕΝΕΡΓΟΠΟΙΗΣΗ/ ΑΠΕΝΕΡΓΟΠΟΙΗΣΗ ΤΟΥ ΠΡΟΪΟΝΤΟΣ

*Βλ. Σχήμα 12.*

- Πατήστε το "I" για να ενεργοποιήσετε το προϊόν.
- Πατήστε το "O" για να απενεργοποιήσετε το προϊόν.

### ΠΡΙΝ ΑΠΟΜΑΚΡΥΝΘΕΙΤΕ ΑΠΟ ΤΟ ΜΗΧΑΝΗΜΑ

*Βλ. Σχήμα 12.*

- Απενεργοποιήστε το προϊόν. Περιμένετε μέχρι να σταματήσει εντελώς το πριόνι.
- Αποσυνδέστε το μηχάνημα από το ρεύμα.
- Κάντε το εργαστήριο ασφαλές για τα παιδιά.
- Χαλαρώστε την ένταση της λεπίδας του πριονιού χρησιμοποιώντας το μοχλό έντασης λεπίδας Rapidset™ για να παρατείνετε τη διάρκεια ζωής της λεπίδας.
- Κλειδώστε το εργαστήριο.

### ΕΝΕΡΓΟΠΟΙΗΣΗ/ ΑΠΕΝΕΡΓΟΠΟΙΗΣΗ ΤΟΥ ΦΩΤΟΣ ΕΡΓΑΣΙΑΣ

*Βλ. Σχήμα 13.*

- Πατήστε το "I" για να ενεργοποιήσετε το φως εργασίας.
- Πατήστε το "O" για να απενεργοποιήσετε το φως εργασίας.





## Ελληνικά

### ΚΛΙΣΗ ΤΟΥ ΤΡΑΠΕΖΙΟΥ

Βλ. Σχήμα 14.

- Χαλαρώστε ελαφρώς το κουμπί ασφάλισης τραπέζιου.
- Στρέψτε το κουμπί ρύθμισης γωνίας, γέροντας το τραπέζι του πριονιού μέχρι να φθάσει στην επιθυμητή γωνία.
- Χρησιμοποιώντας την ένδειξη κλίμακας, ελέγξτε τα σημάδια γωνίας.
- Σφίξτε και πάλι το κουμπί ασφάλισης τραπέζιου για να κρατήσετε το τραπέζι πριονιού σταθερά στη θέση του.

### ΧΡΗΣΗ ΤΟΥ ΕΛΑΣΜΑΤΟΣ ΦΑΛΤΣΟΥ

Βλ. Σχήματα 15 - 16 .

Το έλασμα φάλτσου μπορεί να ρυθμιστεί κατά μέγιστο 60° προς τα δεξιά ή τα αριστερά.

- Χαλαρώστε το κουμπί ασφάλισης στο έλασμα φάλτσου.
- Με το έλασμα φάλτσου στην υποδοχή ελάσματος φάλτσου, περιστρέψτε το έλασμα μέχρι να φθάσει την επιθυμητή γωνία στην ενδεικτική κλίμακα.
- Σφίξτε και πάλι το κουμπί ασφάλισης.

### ΧΡΗΣΗ ΠΡΟΦΥΛΑΚΤΗΡΑ ΣΧΙΣΙΜΑΤΟΣ

Ο προφυλακτήρας σχισίματος χρησιμοποιείται για όλες τις λειτουργίες σχισίματος. Μην σχίζετε ποτέ με ελεύθερο χέρι χωρίς να είναι στη θέση του ο προφυλακτήρας καλά ασφαλισμένος.

- Τοποθετήστε τον προφυλακτήρα στο επιθυμητό πλάτος σχισίματος και ασφαλίστε τον στη θέση του.
- Πριν ξεκινήσετε το σχίσιμο, βεβαιωθείτε ότι ο προφυλακτήρας σχισίματος είναι παράλληλος με τη λεπίδα πριονιού. Όταν σχίζετε μακριές σανίδες ή μεγάλα πάνελ, χρησιμοποιείτε πάντα στήριγμα εργασίας.
- Κρατήστε το τεμάχιο κόντρα στον προφυλακτήρα και τροφοδοτήστε το στη λεπίδα πριονιού με ομαλή, σταθερή πίεση.

### ΡΥΘΜΙΣΕΙΣ

#### ▲ ΠΡΟΕΙΔΟΠΟΙΗΣΗ

Πριν κάνετε οποιαδήποτε ρύθμιση, βεβαιωθείτε ότι το εργαλείο έχει αποσυνδεθεί από το ρεύμα και ότι ο διακόπτης βρίσκεται στη θέση απενεργοποίησης. Αμέλεια τήρησης αυτής της προειδοποίησης μπορεί να προκαλέσει σοβαρό ατομικό τραυματισμό.

#### ▲ ΠΡΟΕΙΔΟΠΟΙΗΣΗ

Για να αποφύγετε ατομικό τραυματισμό, διατηρείτε τη σωστή ρύθμιση της έντασης της λεπίδας, της διαδρομής της λεπίδας, των οδηγών της λεπίδας και των εδράνων ώσης.

### ΤΟΠΟΘΕΤΗΣΗ ΚΑΙ ΡΥΘΜΙΣΗ ΤΗΣ ΛΕΠΙΔΑΣ

Βλ. Σχήμα 17.

- Χαλαρώστε και αφαιρέστε το φαξιμάδι D, τις ροδέλες και την πεταλούδα από το τραπέζι πριονιού.
- Ανοίξτε τα εμπρός καλύμματα ξεβιδώνοντας τη βίδα ασφάλισης καλύμματος.
- Στρέψτε το κουμπί ασφάλισης προς τα αριστερά για να ξεκλειδώσετε τη διάταξη οδηγού λεπίδας. Στρέφοντας το κουμπί ρύθμισης του οδηγού της λεπίδας (προς τα δεξιά, ανασηκώνεται η διάταξη του οδηγού λεπίδας, προς τα αριστερά, χαμηλώνει), τοποθετήστε τη διάταξη οδηγού λεπίδας περίπου στη μέση της απόστασης μεταξύ του τραπέζιου του πριονιού και του περιβλήματος του πριονιού. Σφίξτε και πάλι το κουμπί ασφάλισης.
- Ανοίξτε το προστατευτικό της λεπίδας τραβώντας την αριστερή πλευρά του προστατευτικού προς τα έξω και απομακρύνοντας από τον τροχό.
- Χαλαρώστε όλη την ένταση της λεπίδας από τη λεπίδα.
- Αφαιρέστε προσεκτικά την παλιά λεπίδα.
- Φορώντας γάντια, ανοίξτε τη νέα λεπίδα όσο το μήκος των χεριών. Αν η νέα λεπίδα έχει επαλειφθεί με λάδι για προστασία από τη σκουριά, μπορεί να χρειαστεί να την σκουπίσετε για να μην πέσει λάδι στο κατεργαζόμενο τεμάχιο σας. Σκουπίστε προσεκτικά στην ίδια κατεύθυνση με τα δόντια έτσι ώστε να μην πιαστεί το πανί στα δόντια της λεπίδας του πριονιού.

**ΣΗΜΕΙΩΣΗ** Μπορεί να χρειαστεί να γυρίσετε τη λεπίδα μέσα-έξω αν τα δόντια βλέπουν προς λάθος κατεύθυνση. Κρατήστε τη λεπίδα και με τα δύο χέρια και περιστρέψτε την προς τα μέσα.

- Με τα δόντια της λεπίδας προς τα αριστερά του πριονιού και να βλέπουν προς τα κάτω, τοποθετήστε τη λεπίδα μέσα από τους κάτω οδηγούς λεπίδας και γύρω και από τους δύο τροχούς.
- Στρέψτε αργά τον πάνω τροχό προς τα δεξιά με το χέρι για να κεντράρετε τη λεπίδα στα ελαστικά.
- Χρησιμοποιήστε και πάλι το μοχλό έντασης λεπίδας RapidSet™ και κατόπιν ρυθμίστε την ένταση της λεπίδας. Ελέγξτε ή ρυθμίστε τη διαδρομή της λεπίδας.
- Ρυθμίστε και τον πάνω και τον κάτω οδηγό λεπίδας και έδρανα ώσης όπως εξηγείται παρακάτω σε αυτό το Εγχειρίδιο χρήσης.





## Ελληνικά

- Προσαρτήστε και πάλι το παξιμάδι D, τις ροδέλες και την πεταλούδα. Σφίξτε καλά.
- Κλείστε το προστατευτικό λεπίδας και το εμπρός κάλυμμα. Σφίξτε τη βίδα ασφάλισης καλύμματος.

### ΡΥΘΜΙΣΗ ΔΙΑΤΑΞΗΣ ΟΔΗΓΟΥ ΛΕΠΙΔΑΣ

Βλ. Σχήματα 18 - 19 .

Για να αποτρέψετε συστορόφη ή θραύση της λεπίδας, η διάταξη οδηγού λεπίδας θα πρέπει πάντα να ρυθμίζεται περίπου 3,2 mm (1/8") πάνω από το κατεργαζόμενο τεμάχιο.

- Στρέψτε το κουμπί ασφάλισης προς τα αριστερά για να ξεκλειδώσετε τη διάταξη οδηγού λεπίδας.
- Ως οδηγό, χρησιμοποιήστε ένα άχρηστο κομμάτι από το ίδιο ξύλο που πρόκειται να κόψετε για να ρυθμίσετε το ύψος της διάταξης οδηγού λεπίδας. Ρυθμίστε τη διάταξη οδηγού λεπίδας στρέφοντας το κουμπί οδηγού λεπίδας.
- Ασφαλίστε τη διάταξη οδηγού λεπίδας στη θέση της στρέφοντας το κουμπί ασφάλισης προς τα δεξιά.
- Πάντα ασφαλίστε τη διάταξη του οδηγού της λεπίδας στη θέση της πριν ενεργοποιήσετε την πριονοταινία.

### ΡΥΘΜΙΣΗ ΕΔΡΑΝΩΝ ΩΣΗΣ ΚΑΙ ΣΤΗΡΙΞΗΣ ΟΔΗΓΟΥ ΛΕΠΙΔΑΣ

Βλ. Σχήματα 20 - 21 .

**ΣΗΜΕΙΩΣΗ** Σφίξτε το κουμπί ασφάλισης και ανατρέξτε στις διαδικασίες για τη "Ρύθμιση έντασης λεπίδας" και "Διαδρομή λεπίδας" που εξηγούνται στην ενότητα ΣΥΝΑΡΜΟΛΟΓΗΣΗ σε αυτό το εγχειρίδιο χρήσης πριν να κάνετε ρυθμίσεις.

Ο πάνω και κάτω οδηγός λεπίδας και τα έδρανα ώσης στηρίζουν τους οδηγούς εδράνων και καθοδηγούν τη λεπίδα του πριονιού κατά τις διαδικασίες κοπής. Η ρύθμιση των εδράνων και των οδηγών θα πρέπει να ελέγχεται οποτεδήποτε τοποθετείται διαφορετική λεπίδα.

#### Για ρύθμιση των εδράνων ώσης:

Τα έδρανα ώσης στηρίζουν την πίσω άκρη της λεπίδας κατά την κοπή. Η λεπίδα δεν θα πρέπει να αγγίζει τα έδρανα ώσης όταν σταματάτε την κοπή. Είναι σημαντικό η ρύθμιση και του πάνω και του κάτω εδράνου ώσης να είναι ίση.

- Ανοίξτε τα μπροστινά καλύμματα και το προστατευτικό λεπίδας.
- Χρησιμοποιώντας ένα εξάγωνο κλειδί, χαλαρώστε τις βίδες του πάνω και του κάτω εδράνου ώσης και στρώξτε τα έδρανα ώσης προς το πίσω μέρος του πριονιού.
- Επαληθεύστε ότι η λεπίδα του πριονιού βρίσκεται στη σωστή διαδρομή, και κατόπιν σύρετε το έδρανο ώσης εμπρός μέχρι το έδρανο να βρίσκεται σε απόσταση

εντός 0,4 mm (1/64") από τη λεπίδα. Σφίξτε καλά τη βίδα του εδράνου ώσης.

- Σύρετε το κάτω έδρανο εμπρός μέχρι να βρίσκεται στη σωστή απόσταση. Σφίξτε καλά τη βίδα του εδράνου ώσης.

#### Για να ρυθμίσετε τη στήριξη του οδηγού λεπίδας:

- Χαλαρώστε τη στήριξη του οδηγού λεπίδας και τις βίδες ρύθμισης του οδηγού λεπίδας χρησιμοποιώντας εξάγωνα κλειδιά.
- Σύρετε τη στήριξη του πάνω οδηγού στον άξονα μέχρι η εμπρός άκρη των οδηγών να έρθει σε επαφή με τη λεπίδα του πριονιού πίσω από τον πυθμένα. Σφίξτε καλά τη βίδα.
- Στρώξτε το δεξί οδηγό για να έρθει σε επαφή με τη λεπίδα και αφήστε τον. Περιστρέψτε αργά τον τροχό κατά μία πλήρη στροφή. Σφίξτε τις βίδες ρύθμισης του οδηγού λεπίδας.
- Ρυθμίστε τον οδηγό της αριστερής πλευράς ώστε να αφήσετε απόσταση 0,4 mm (1/64") ανάμεσα στη λεπίδα και τον οδηγό (περίπου το πάχος του χαρτιού μιας τράπουλας) εισάγοντας χαρτί μιας τράπουλας ανάμεσα στον αριστερό οδηγό και τη λεπίδα.
- Εφαρμόστε πίεση στην ακίδα του αριστερού οδηγού για να μείνει το χαρτί στη θέση του. Σφίξτε τη βίδα ρύθμισης και αφαιρέστε το χαρτί της τράπουλας.
- Στρέψτε με το χέρι κατά τρεις πλήρεις περιστροφές για να βεβαιωθείτε ότι η λεπίδα δεν θα μαγκώσει.
- Κλείστε το προστατευτικό λεπίδας και το εμπρός κάλυμμα. Ασφαλίστε με βίδα.

Επαναλάβετε τη διαδικασία αυτή για τη στήριξη του κάτω οδηγού λεπίδας.

#### ΡΥΘΜΙΣΗ ΠΡΟΦΥΛΑΚΤΗΡΑ ΣΧΙΣΙΜΑΤΟΣ

- Χαλαρώστε τη λαβή ασφάλισης στρέφοντας την προς τα αριστερά.
- Μετακινήστε τον προφυλακτήρα σχισίματος στην επιθυμητή θέση.
- Στρώξτε προς τα κάτω τη λαβή ασφάλισης για να κλειδώσετε τη θέση του προφυλακτήρα σχισίματος.
- Στρέψτε τη λαβή ασφάλισης για να ρυθμίσετε το σφίξιμο των σφινγκητών.

### ΣΥΝΤΗΡΗΣΗ

#### ⚠ ΠΡΟΕΙΔΟΠΟΙΗΣΗ

Κατά τη συντήρηση, χρησιμοποιείτε μόνο πανομοιότυπα ανταλλακτικά. Η χρήση οποιουδήποτε άλλου ανταλλακτικού μπορεί να παρουσιάσει κίνδυνο ή να προκαλέσει ζημιά στο εργαλείο σας.





## Ελληνικά

### ⚠ ΠΡΟΕΙΔΟΠΟΙΗΣΗ

Φοράτε πάντα προστατευτικά ματιών κατά τη λειτουργία του προϊόντος. Αν η εργασία προκαλεί σκόνη, φοράτε και ειδική μάσκα.

### ⚠ ΠΡΟΕΙΔΟΠΟΙΗΣΗ

Πριν κάνετε οποιαδήποτε συντήρηση, βεβαιωθείτε ότι το εργαλείο έχει αποσυνδεθεί από το ρεύμα και ότι ο διακόπτης βρίσκεται στη θέση απενεργοποίησης. Αμέλεια τήρησης αυτής της προειδοποίησης μπορεί να προκαλέσει σοβαρό ατομικό τραυματισμό.

### ΓΕΝΙΚΗ ΣΥΝΤΗΡΗΣΗ

Αποφύγετε τη χρήση διαλυτών κατά τον καθαρισμό πλαστικών εξαρτημάτων. Τα περισσότερα πλαστικά είναι επιρρεπή σε φθορές από τους διάφορους τύπους διαλυτών που είναι διαθέσιμοι στο εμπόριο και μπορεί να καταστραφούν από τη χρήση τους. Χρησιμοποιήστε ένα καθαρό πανί για να αφαιρέσετε βρωμιά, σκόνη, λάδια, γράσο κ.λπ.

### ⚠ ΠΡΟΕΙΔΟΠΟΙΗΣΗ

Σε καμία περίπτωση μην επιτρέπτε τα υγρά φρένων, η βενζίνη, προϊόντα με βάση το πετρέλαιο, έλαια που διεισδύουν κλπ. να έρχονται σε επαφή με πλαστικά τμήματα. Αυτά τα χημικά προϊόντα περιέχουν ουσίες οι οποίες μπορούν να προξενήσουν ζημιά, να μειώσουν ή να καταστρέψουν το πλαστικό.

- Διατηρείτε το προϊόν καθαρό.
- Αφαιρείτε συχνά τη σκόνη πριονίσματος από το εσωτερικό.
- Μην αφήνετε να μαζεύεται πίσω στο τραπέζι πριονιού, τους οδηγούς λεπίδας ή τα έδρανα ώσης. Καθαρίζετε τα με κόμμι και αφαιρετικό πίσας.
- Απλώστε ένα λεπτό στρώμα κεριού τύπου αυτοκινήτου στο πάνω μέρος του τραπέζιού του πριονιού ώστε να γλιστράει εύκολα το ξύλο κατά την κοπή.

### Λιπανση

Όλα τα έδρανα στο εργαλείο έχουν λιπανθεί με επαρκή ποσότητα λιπαντικού υψηλού τύπου που αρκεί για τη διάρκεια ζωής της μονάδας σε συνθήκες κανονικής χρήσης. Συνεπώς, δε χρειάζεται καμία επιπλέον λιπανση.

### ΕΛΑΣΤΙΚΑ

#### Καθαρισμός ελαστικών:

- Πίσσα και σκόνη πριονίσματος μαζεύονται στα ελαστικά και χρειάζεται να αφαιρούνται με μια λεπτή συρμάνινη

βούρτσα ή ένα κομμάτι ξύλο. **Μην χρησιμοποιείτε αιχμηρά μαχαίρια ή οποιοδήποτε είδος διαλύτη.**

#### Αντικατάσταση ελαστικών:

- Ανοίξετε το εμπρός κάλυμμα και αφαιρέστε τη λεπίδα πριονιού. Δείτε την ενότητα σχετικά με την Τοποθέτηση και ρύθμιση της λεπίδας.
- Αποκολλήστε το φθαρμένο ελαστικό από τον τροχό προσεκτικά.
- Τεντώστε το νέο ελαστικό γύρω από τον τροχό.
- Αντικαταστήστε τη λεπίδα πριονιού και κλείστε το εμπρός κάλυμμα.

### ΒΟΥΡΤΣΑ

Βλ. Σχήμα 22.

Υπάρχει μια βούρτσα στο εσωτερικό του περιβλήματος του πριονιού δίπλα στον τροχό. Βοηθά στην προστασία του ελαστικού και του τροχού απομακρύνοντας τη σκόνη πριονίσματος. Καθώς φθερείται η βούρτσα, θα χρειαστεί ρύθμιση ή αντικατάσταση.

- Αφαιρέστε τη βίδα και τη ροδέλα και κατόπιν βγάλτε τη βούρτσα.
- Τοποθετήστε τη νέα βούρτσα στο αυλάκι.
- Τοποθετήστε και πάλι χρησιμοποιώντας τη ροδέλα και τη βίδα.

### ΜΕΤΑΦΟΡΑ ΚΑΙ ΑΠΟΘΗΚΕΥΣΗ

Βλ. Σχήματα 23 - 24 .

- Κατά τη μεταφορά του μηχανήματος, αποσυνδέστε το καλώδιο ρεύματος, χαμηλώστε το προστατευτικό λεπίδας και αποσυνδέστε το προϊόν. Αποθηκεύστε το ραβδί ώθησης στο πλάι του πάνω περιβλήματος. Σηκώστε το προϊόν από το πάνω περίβλημα όπως φαίνεται στην εικόνα. Αποθηκεύστε το προϊόν σε ένα ασφαλές μέρος που δεν είναι προσίτο στα παιδιά.
- Καθαρίστε το προϊόν με μια βούρτσα και ηλεκτρική σκούπα πριν από την αποθήκευση.

### ΠΡΟΣΤΑΣΙΑ ΤΟΥ ΠΕΡΙΒΑΛΛΟΝΤΟΣ



Ανακυκλώνετε τις πρώτες ύλες αντί να τις πετάτε ως απορρίμματα. Για την προστασία του περιβάλλοντος, πρέπει να γίνεται ι διαλογή του εργαλείου, των εξαρτημάτων και των συσκευασιών του.



## Ελληνικά

### ΠΣΥΜΒΟΛΟ



Προειδοποίηση ασφαλείας



Συμμόρφωση CE



Παρακαλούμε διαβάστε προσεκτικά τις οδηγίες πριν χρησιμοποιήσετε το προϊόν.



Φοράτε προστατευτικά ματιών



Φοράτε προστατευτικά αυτιών



**ΚΙΝΔΥΝΟΣ!** Αιχμηρή λεπίδα.



Κλειδωμα



Ξεκλειδωμα



Τα ηλεκτρικά προϊόντα προς απόρριψη δεν θα πρέπει να απορρίπτονται μαζί με τα οικιακά απόβλητα. Παρακαλούμε ανακυκλώστε όπου υπάρχουν οι αντίστοιχες εγκαταστάσεις. Μιλήστε με τις τοπικές αρχές ή τον πωλητή για να σας ενημερώσουν σχετικά με τα προγράμματα ανακύκλωσης.



## Ελληνικά

### ΑΝΤΙΜΕΤΩΠΙΣΗ ΠΡΟΒΛΗΜΑΤΩΝ

Προβλημα	Πιθανή αιτία	Λύση
Ο κινητήρας δεν δουλεύει	<ol style="list-style-type: none"> <li>1. Πρόβλημα με το διακόπτη ενεργοποίησης/ απενεργοποίησης ή το καλώδιο ρεύματος.</li> <li>2. Ελαττωματικός κινητήρας.</li> <li>3. Η λεπίδα σκαλώνει.</li> </ol>	<ol style="list-style-type: none"> <li>1. Φροντίστε για την αντικατάσταση των φθαρμένων εξαρτημάτων πριν χρησιμοποιήσετε και πάλι το προϊόν.</li> <li>2. Μην επιχειρήσετε οποιαδήποτε επισκευή. Επισκευάζετε το εργαλείο πηγαίνοντάς το σε ειδικευμένους τεχνικούς.</li> <li>3. Αφαιρέστε μαγκωμένο υλικό.</li> </ol>
Η λεπίδα δεν τρέχει στο κατά προσέγγιση κέντρο του πάνω τροχού.	<ol style="list-style-type: none"> <li>1. Λανθασμένη διαδρομή.</li> </ol>	<ol style="list-style-type: none"> <li>1. Ρυθμίστε τη διαδρομή. Δείτε την ενότητα ΡΥΘΜΙΣΕΙΣ "Διαδρομή της λεπίδας".</li> <li>2. Σε περίπτωση βλάβης, να αντικατασταθεί αμέσως από ειδικό τεχνικό.</li> </ol>
Η πριονοκορδέλα επιβραδύνει κατά την κοπή.	<ol style="list-style-type: none"> <li>1. Κοπή σε πολύ μικρή ακτίνα.</li> <li>2. Στομωμένη λεπίδα.</li> </ol>	<ol style="list-style-type: none"> <li>1. Σταματήστε την τροφοδότηση και στηρίξτε το υλικό κοπής ελαφρώς μέχρι να επιταχύνει η πριονοκορδέλα.</li> <li>2. Αντικαταστήστε τη λεπίδα.</li> </ol>
Η λεπίδα σπάει.	<ol style="list-style-type: none"> <li>1. Υπερβολική ένταση λεπίδας.</li> <li>2. Προκλήθηκε στράβωμα της λεπίδας λόγω κοπής σε πολύ μικρή ακτίνα ή γρήγορη στροφή του υλικού κατά την κοπή.</li> <li>3. Τα έδρανα ώσης έχουν εγκοπές ή δεν περιστρέφονται.</li> </ol>	<ol style="list-style-type: none"> <li>1. Ρυθμίστε την ένταση. Δείτε την ενότητα ΡΥΘΜΙΣΕΙΣ, "Ρύθμιση έντασης λεπίδας".</li> <li>2. Χρησιμοποιήστε τη σωστή τεχνική κοπής. Δείτε την ενότητα Λειτουργία.</li> <li>3. Αντικαταστήστε τα έδρανα ώσης.</li> </ol>
Το προϊόν κάνει θόρυβο κατά τη λειτουργία.	<ol style="list-style-type: none"> <li>1. Υπερβολική ένταση λεπίδας.</li> <li>2. Οι οδηγοί λεπίδας και τα έδρανα έρχονται σε επαφή με τη λεπίδα.</li> </ol>	<ol style="list-style-type: none"> <li>1. Ρυθμίστε την ένταση. Δείτε την ενότητα ΡΥΘΜΙΣΕΙΣ, "Ρύθμιση έντασης λεπίδας".</li> <li>2. Ρυθμίστε τους πάνω και κάτω οδηγούς λεπίδας και έδρανα. Δείτε την ενότητα ΡΥΘΜΙΣΕΙΣ, "Ρύθμιση εδράνων ώσης και στήριξης οδηγού λεπίδας".</li> </ol>
Η λεπίδα δεν κόβει ευθεία.	<ol style="list-style-type: none"> <li>1. Οι οδηγοί λεπίδας και τα έδρανα δεν έχουν ρυθμιστεί σωστά.</li> <li>2. Φθαρμένη ή ελαττωματική λεπίδα.</li> </ol>	<ol style="list-style-type: none"> <li>1. Ρυθμίστε τους πάνω και κάτω οδηγούς λεπίδας και έδρανα. Δείτε την ενότητα ΡΥΘΜΙΣΕΙΣ, "Ρύθμιση εδράνων ώσης και στήριξης οδηγού λεπίδας".</li> <li>2. Αντικαταστήστε τη λεπίδα.</li> </ol>
Οι οδηγοί λεπίδας δεν μένουν στη θέση τους.	<ol style="list-style-type: none"> <li>1. Οι βίδες οδηγού λεπίδας έχουν χαλαρώσει.</li> </ol>	<ol style="list-style-type: none"> <li>1. Σφίξτε καλά τις βίδες του οδηγού λεπίδας.</li> </ol>







## Ελληνικά

Ο κινητήρας λειτουργεί αλλά η λεπίδα δεν περιστρέφεται

1. Η ένταση δεν έχει ρυθμιστεί σωστά.
  2. Ο ιμάντας μετάδοσης κίνησης έχει κοπεί.
1. Χρησιμοποιήστε το μοχλό έντασης λεπίδας για να ρυθμίσετε την ένταση.
  2. Σε περίπτωση βλάβης, να αντικατασταθεί αμέσως από ειδικό τεχνικό.



**Türkçe (Orijinal talimatlar)****AÇIKLAMA**

1. Bıçak gergi düğmesi
2. Kapak kilit vidası
3. İzleme görüntüsü penceresi
4. Çalışma ışığı
5. Bıçak muhafazası
6. Testere bıçağı
7. Gönye ölçüsü
8. Toz çıkış yuvası
9. Ölçek göstergesi
10. Açık ayar düğmesi
11. Cetvel
12. Tezgah kilit kolu
13. Kilit düğmesi
14. Bıçak kılavuz ayar düğmesi
15. Bıçak gergi kolu
16. Boğaz plakası
17. Dönüş izi düğmesi
18. Açma/kapama anahtarı
19. Testere tezgahı
20. Ön alt panel
21. Ön üst panel
22. Yarım siperi
23. Çalışma ışığı düğmesi
24. İtme kolu
25. Yıldız tornavida (dahil değildir)
26. İngiliz anahtarı (dahil değildir)
27. Küçük kombinasyon karesi (dahil değildir)
28. Altıgen anahtar , 3 mm
29. Altıgen anahtar , 4 mm
30. Altıgen anahtar , 5 mm
31. Pul
32. Şapkalı somunlar
33. Pullar
34. Ayaklar
35. Tespit civataları
36. Altıgen somunlar
37. Destek uzatması
38. Testere tabanında delikler
39. D somun
40. Kelebek vida
41. Testere tezgahı braket
42. Bıçak kılavuz tertibatı
43. Ayar civatası
44. Gerginliği azaltmak için
45. Gerginliği artırmak için
46. Kilit düğmesi
47. Gönye ölçüsü yuvası
48. Yıldız vidalar
49. Üst disk
50. Alt bıçak kılavuzları
51. Alt disk
52. Kilidi açma
53. Kilit
54. Eksenel yatak
55. Eksenel yatak vidası
56. Bıçak kılavuzu destek vidası
57. Üst bıçak kılavuzu desteği
58. Bıçak kılavuzu
59. Bıçak kılavuzu ayarlama vidası
60. Bıçak kılavuzu vidası
61. Alt bıçak kılavuzu desteği
62. Fırça
63. Pul
64. Vidalar
65. Lastik





## Türkçe (Orijinal talimatlar)

Şerit testerenizin tasarımında güvenlik, performans ve güvenilirliğe en yüksek öncelik verilmiştir.

### KULLANIM AMACI

Şerit testere ahşap ve ahşaptan üretilen ürünlerde düz hizalı kesim, oyma ve yuvarlak kesme işlemleri için tasarlanmıştır.

Ürün sadece talimat kılavuzunu okumuş olup, risk ve tehlikeleri anlayan yetişkin kullanıcılar tarafından kullanılmalıdır.

Testere kusursuz ortam ışığında ve uygun havalandırma ile kuru koşullarda kullanılacaktır.

Ürün sadece tüketici kullanımı için tasarlanmıştır, yukarıda anlatıldığı gibi kullanılmı ve başka hiçbir amaç için kullanılmamalıdır.

### GENEL EMNİYET UYARILARI

#### ⚠ UYARI

Elektrikli aletleri kullanırken, yangın, elektrik çarpması, yanma ve diğer yaralanma risklerini azaltmak için bazı temel güvenlik tedbirleri dikkate alınmalıdır. Ürünü çalıştırmayı denemeden önce tüm talimatları okuyun ve saklayın.

- **Çalışma alanını temiz tutun.** Karmaşık alanlar ve tezgahlar, yaralanmalara davetiye çıkarır.
- **Çalışma ortamını inceleyin.** Aletleri yağmura maruz bırakmayın. Aletleri ıslak ya da nemli ortamlarda kullanmayın. Çalışma alanını iyi ışıklandırın. Aleti, yanıcı sıvıların veya gazların bulunduğu ortamda kullanmayın.
- **Elektrik çarpmasına karşı koruma sağlayın.** Şaşilenmiş veya topraklanmış yüzeylere temas etmekten kaçının (borular, radyatörler, ocaklar, buzdolapları vs.).
- **Başka insanları yaklaştırmayın.** İnsanların, özellikle de çocukların işe müdahil olmasına, alete veya uzatma kablosuna dokunmasına asla müsaade etmeyin; çalışma alanından uzak tutun.
- **Boşta duran aletler.** Kullanılmadıkları zamanlarda, aletleri kuru, kilitli ve çocukların ulaşamayacağı bir yerde saklayın.
- **Alete güç uygulamayın.** İşin, amacına uygun seviyede kaliteli ve emniyetli yapılmasını sağlayacaktır.
- **Doğru cihaz kullanın.** Küçük aletleri, ağır iş aletleriyle yapılması gereken zorlu işlerde kullanmayın. Aletleri kullanım amaçlarının dışında kullanmayın; örneğin, yuvarlak testereyi ağaç dallarını veya kütükleri kesmede kullanmayın.

- **Uygun giysiler giyin.** Bol kıyafet giymeyin, ziynet eşyası takmayın; hareketli parçalara kapılabilir. Açık mekanlarda çalışırken kaymaz ayakkabı giymeniz tavsiye edilir. Saçınızı tamamen kapatacak koruyucu saç bonesi takın.
- **Koruyucu ekipman kullanın.** Emniyet gözlükleri takın. Çalışma ortamında toz çıkıyorsa, yüz veya toz maskesi takın.
- **Toz çekme ekipmanını bağlayın.** Toz atma ya da toplama ekipmanı bağlantısı da aletle kullanılıyorsa, bunların doğru bağlandığından ve kullanıldığından emin olun.
- **Elektrik kablosunu kötü kullanmayın.** Kabloyu soketten çıkarmak için asla sertçe çekmeyin. Kabloyu ısıdan, yağdan ve keskin nesnelere uzak tutun.
- **İşi emniyete alın.** Mümkünse, çalışmaya ara verdiğinizde kelepçe veya mengeneyle sabitleme yapın. Ellerinizi kullanmaktan daha güvenlidir.
- **Aşırı derecede uzanmayın.** Her zaman güvenli ve dengede durun.
- **Aletlere özenle bakım yapın.** Daha iyi performans ve daha yüksek güvenlik için, kesme aletlerini keskin ve temiz tutun. Aksesuar yağlama ve aksesuar değiştirme için, mutlaka talimatlara uyun. Alet kablolarını periyodik olarak kontrol edin, hasarlı olanların yetkili serviste onarılmasını sağlayın. Uzatma kablosunu düzenli aralıklarla kontrol edin ve hasar görmüşse değiştirin. Kolların kuru, temiz ve yağdan/gresten arınmış olmasına özen gösterin.
- **Aletlerin fişini çekin.** Kullanılmadıkları zamanlarda, bıçaklar, matkap uçları ve kesiciler gibi aletlere bakım yapmadan veya değiştirmeden önce, mutlaka aletlerin fişini çekin.
- **Ayarlama anahtarlarını ve somun anahtarlarını çıkarın.** Aleti çalıştırmadan önce anahtarların ve ayar anahtarlarının aletten çıkarıldığını kontrol etmeyi alışkanlık haline getirin.
- **İstemsiz çalıştırmalardan kaçının.** Aletin fişini takarken, düğmenin "off (kapalı)" konumunda olduğundan emin olun.
- **Açık mekan için uygun uzatma uçları kullanın.** Alet dış mekanda kullanılıyorsa, sadece dış mekan için üretilmiş ve bu özelliği üzerinde belirtilmiş uzatma kablolarını kullanın.
- **Her zaman tetikte olun.** Yaptığınız işi izleyin, duyarlı olun ve yorulduğunuz zaman aleti kullanmaya ara verin.
- **Hasarlı parçalara karşı kontrol edin.** Aleti kullanmaya devam etmeden önce, doğru ve amacına uygun bir şekilde kullanılıp kullanılmayacağını dikkatlice kontrol edin. Hareketli parçaların hizalamasını, yüzeye yapışıp yapışmadığını, parçalarda kırılma olup olmadığını, montaj konumunu ve aletin çalışmasını





## Türkçe (Orijinal talimatlar)

etkileyebilecek diğer koşulların bulunup bulunmadığını kontrol edin. Hasar gören bir koruma ya da başka bir parça, aksi bu kullanım kılavuzunda belirtilmedikçe yetkili servis merkezi tarafından onarılmalı ya da değiştirilmelidir. Arızalı anahtarlar yetkili servis tarafından değiştirilmelidir. Alt düğmeyle açılıp kapatılamıyorsa, aleti kullanmayın.

- **Uyarı** Bu kullanım kılavuzunda tavsiye edilenlerin dışında aksesuar veya ataşman kullanılması, kişisel yaralanma riskine neden olur.
- **Alet mutlaka yetkili teknisyen tarafından onarılmalıdır.** Bu elektrikli alet, yürürlükteki emniyet normlarına uygundur. Onarım işleri, sadece orijinal parçaları kullanan kalifiye teknisyenler tarafından yapılmalıdır; aksi takdirde kullanıcı ciddi biçimde zarar görebilir.

### ŞERİT TESTERE GÜVENLİK UYARILARI

- Yaklaşık kalça yüksekliğinde testereyi çalışma tezgahı ya da ayak tezgahına sıkı bir şekilde mengene ya da vidalar ile tutturun.
- Ürünü asla zeminde çalıştırmayın.
- Ani bir kaymanın elinizin kesme aletine doğru hareket etmesine neden olabilecek türde uygunsuz işletimlerden ve el konumundan kaçının. Daima dengeli bir şekilde durduğunuzdan emin olun.
- Takılma ya da teklemeyi önlemek için kesme işlemine başlamadan önce motorun tam hıza ulaşmasını bekleyin.
- Düşme aleti açmıyor ve kapatmıyorsa o aleti kullanmayın. Arızalı anahtarlar yetkili servis tarafından değiştirilmelidir.
- Yedek parçalar. Elektrik ya da mekanik tüm tamiratların yetkili servis merkezinde kalifiye servis teknisyeni tarafından yapılması gerekmektedir.
- Servis hizmetinde sadece aynı yedek parçaları kullanın. Diğer parçaları kullanmak tehlike yaratabilir ya da hasara neden olabilir.
- Ellerinizi kesme bölgesinden uzak tutun. Parmaklarınızın bıçak muhafazasının altına gitmesine yol açacak kadar küçük parçaları elinizle tutmayın. Her zaman ellerinizi ve parmaklarınızı kestiğiniz cismin alt kısmından veya bıçağın kesme hattından uzak tutun.
- Asla tek seferde birden fazla parça kesmeyin ya da birden fazla parçayı testere tezgahına yığmayın.
- Malzemeyi hızlı şekilde beslemeyin. Çalışma parçasını bıçağa doğru itmeyin.
- Sadece doğru bıçakları kullanın. Malzeme ve kesim türü için doğru bıçak boyutu ve tarzını kullanın. Bıçak dişlerinin tezgaha doğru aşağıya bakması gereklidir.
- Bıçağın sıkışmasını ve geri tepme riskini azaltmak için her zaman büyük çalışma parçalarını destekli

şekilde kullanın. Testere geniş ya da ağır panoları keserken kayabilir, yürüyebilir ya da sürüklenebilir.

- Bıçak durana dek sıkışmış kesme parçalarını çıkarmayın.
- Hasar görmüş ya da deforme olmuş testere şeritlerini kullanmayın.
- Aşınmış talaş emniyetini değiştirin.
- Aışap keserken testereye bir toz toplama aparatı takın.
- Testere şeridini koruyan muhafaza açıkken ürünü çalıştırmayın.
- Kesilecek malzemeye göre testere şeridini ve hızı seçin.
- Hareket halindeyken testere şeridini temizlemeyin.
- Testere şeridi ile pürüzlü malzemelerle çalışırken eldiven kullanın.
- Kenar çitini kullanarak küçük çalışma parçaları düz şekilde keserken bir itme çubuğu kullanın.
- Ürünü şerit muhafazası tamamen kapalı ve tezgaha yakıncan taşıyın.
- Tezgah eğikken açılı kesme işlemi için kenar çitini tezgahın alt kenarına yerleştirin.
- Yuvarlak ya da düzensiz şekilli keresteleri keserken parçanın hareket etmesini önlemek için uygun bir tutma cihazı kullanın.
- Muhafazaları parçalarla ya da taşıma işlemi için kullanmayın
- Ayarlanabilir muhafazayı çalışma parçasına mümkün olduğunca yakın olacak şekilde ayarlayın.
- Kullanım esnasında asla bıçağa veya diğer hareketli parçalara dokunmayın.
- Ayarları değiştirmeden ve kapak, muhafaza ya da bıçakları çıkarmadan önce testerenin güç kaynağı bağlantısını kesin.
- İş parçasını her zaman tezgaha sıkıca bastırın.
- Bıçakla kazara temastan kaçınmak, bıçağın kırılmasını asgari seviyeye indirmek ve azami bıçak desteği sağlamak için. Bıçak kılavuzu tertibatını her zaman çalışma parçasına neredeyse temas edecek şekilde ayarlayın.
- Bıçakları temiz ve keskin tutun ve yeterli sayıda bıçak bulundurun. Keskin bıçaklar duraklamaları ve geri tepmeleri en aza indirir.
- Testereyi güç kaynağına tekrar taktığınızda yanlışlıkla çalışmasını önlemek için güç kaynağından çekmeden önce testereyi mutlaka kapatın.
- Yaptığınız işi görmek için çalışma alanının bol aydınlatmaya sahip olmasını ve testereyi kullanarak herhangi bir çalışma gerçekleştirmeden önce güvenli çalışmayı aksatacak engellerin





## Türkçe (Orijinal talimatlar)

olmaması sağlayın.

- **Bıçak kılavuzları fabrikada ön ayarlı olarak hazırlanmıştır.** Bu ayarlar bazı uygulamalar için yeterlidir. Testereyi ilk defa kullanmadan önce bıçak kılavuz ayarlarını kontrol edip ayarlamanızı öneririz. Bu kullanım kılavuzunun AYARLAMALAR bölümünde açıklandığı şekilde "Eksenel yatakları ve bıçak kılavuz desteğini ayarlama" bölümüne bakın.
- **Aleti metal kesmek için kullanmayın.**
- **Bu alette aşağıdaki işaretler bulunmalıdır:**
  - Koruyucu gözlük kullanın
  - Ellerinizi bıçaktan uzak tutun.
  - Bıçak durana dek sıkışmış ya da kesilmiş parçaları çıkarmayın.
  - Bıçağın dişleri aşağı bakacak şekilde takıldığından emin olun.
  - Bıçak gerginliği, bıçak kılavuzları ve eksenel yatakların ayarlarının her zaman düzgün olduğundan emin olun.
  - Üst kılavuzu çalışma parçasına neredeyse temas edecek şekilde ayarlayın.
  - Kesme esnasında iş parçasını tezgaha sıkıca bastırın.
- **Elektrik kablosu hasar görmüşse tehlikeyi önlemek için sadece üretici veya yetkili bir servis merkezi tarafından değiştirilmelidir.**
- **Bu talimatı saklayın.** Sık aralıklarla talimatlara bakın ve diğer kullanıcıları bilgilendirmek için kullanın. Bu cihazı birisine ödünç olarak verirken aynı zamanda bu talimatları da kendisine verin.

## ELEKTRİK

### UZATMA KABLolari

Sadece 3 uçlu topraklı fişe ve ürünün fişine uygun 3 kutuplu prizlere sahip 3 telli uzatma kablolarını kullanın. Elektrikli bir alet, güç kaynağından oldukça uzak bir mesafede kullanırken ürünün çektiği akımı taşıyacak özelliklere sahip bir uzatma kablosu kullanın. Olması gerekenden daha zayıf bir uzatma kablosunun kullanılması güç kaybı ve motorun aşırı ısınmasına yol açan hat voltajının düşmesine neden olur.

Uzatma kablosu kullanmadan önce gevşek ya da açıkta kablo ve kesik ya da aşınmış yalıtım olup olmadığını kontrol edin.

### ⚠ UYARI

Uzatma kablosunu çalışma alanından uzak tutun. Elektrikli cihazınızı kullanırken güç kablosunu keresteye, aletlere veya engel niteliğinde olabilecek diğer nesnelere takılmayacağı şekilde yerleştirin. Bu uyarıya uymama, ciddi kişisel yaralanmalarına sebep olabilir.

### ⚠ UYARI

Her kullanımdan önce uzatma kablolarını kontrol edin. Hasar görmesi durumunda hemen değiştirin. Hasarlı alana dokunmak ciddi yaralanmalarla sonuçlanan elektrik çarpmalarına neden olabileceği için aleti asla hasarlı kabloyla kullanmayın.

### ELEKTRİK BAĞLANTISI

Bu ürün hassasiyetle entegre edilmiş elektrik motorundan güç alır. Cihaz 220~240 V, sadece AC (evlerdeki mevcut normal akım), 50 Hz olan bir güç kaynağına bağlanmalıdır. Bu cihaz doğru akımda (DC) çalıştırmayın. Önemli bir voltaj düşmesi güç kaybına neden olur ve motor aşırı ısınır. Bir prize taktığınızda cihaz çalışmıyorsa güç kaynağını ikin kez kontrol edin.

### HIZ VE KABLO SİSTEMİ

Bu ürünün yüksüz hızı yaklaşık 11 m/saniyedir. Bu hız sabit değildir ve yük veya düşük gerilim altında düşer. Voltaj için, bir atölyedeki kablolama en az motorun nominal giriş gücü kadar önemlidir. Sadece aydınlatma için tasarlanmış bir hat bir elektrikli aletin motorunu tam olarak taşıyamaz. Kısa bir mesafe için yeteri kadar ağır olan kablo dada uzun bir mesafe için hafif olacaktır. Bir elektrikli aleti destekleyebilen bir hat iki veya üç elektrikli aleti destekleyemeyebilir.

### TOPRAKLAMA TALİMATLARI

Bu cihazın topraklanması gerekmektedir. Bir aksaklık veya arıza durumunda topraklama sistemi elektrik çarpması riskini azaltmak amaçlı elektrik akımı için minimum direnç yolunu sağlar. Bu cihazda, cihaz topraklama kablosuna ve topraklama fişine sahip bir elektrik kablosu bulunmaktadır. Fiş, tüm yerel kurallara ve yasalara uygun doğru olarak takılmış ve topraklanmış uygun bir prize takılmalıdır.

Ürünle birlikte verilen fiş üzerinde değişiklik yapmayın. Fiş prize uymazsa uzman bir elektrik teknisyenine uygun bir fiş taktırın. Hasar görmüş veya eskimiş kabloyu hemen onarın ya da değiştirin.

### ARDIL RİSKLER

Ürün belirtildiği şekilde kullanıldığı zaman bile belirli artık risk faktörlerinin tamamen ortadan kaldırılması mümkün





## Türkçe (Orijinal talimatlar)

değildir. Kullanım sırasında aşağıdaki tehlikeler ortaya çıkabilir ve operatör bunlardan kaçınmak için özellikle dikkat etmelidir:

- Yanlış ayar veya kullanım çalışma parçasının ya da çalışma parçası bileşenlerinin geri tepmesine neden olur.
- Solunum sistemi hasar görebilir.  
**NOT:** İşlenecek materyallere uygun filtreler içeren solunum koruma maskeleri takın Çalışma yerinin uygun şekilde havalandırıldığından emin olun. Çalışma alanı içinde bir şey yemeyin, içmeyin veya sigara içmeyin.
- Uygun tipte kulak koruyucusu kullanılmadığında işitme duyusunun zarar görmesi.

### ÜRÜNÜZÜ TANIM

Şekle bakınız 1.

Bu ürünün güvenli kullanımı, ürün üzerinde ve bu kullanma kılavuzunda bulunan bilgilerin ve aynı zamanda üzerinde çalıştığınız proje bilgilerinin iyice anlaşılmasını gerektirir. Bu aleti kullanmadan önce, güvenlik alanındaki tüm işlevler ve özelliklerle aşina olun.

### AÇI AYAR DÜĞMESİ

Açılı kesme işlemi için testere tezgahını eğin.

### BIÇAK MUHAFAZASI

Kullanıcıyı bıçakla temasa karşı korur.

### BIÇAK KILAVUZ AYAR DÜĞMESİ

Bıçak kılavuzu tertibatını yukarı ve aşağı ayarlamak ve bıçağın bükülüp kırılmasını önlemek için bıçak kılavuzu ayarlama düğmesini kullanın. Şerit testereyi çalıştırmaya başlaman önce her zaman bıçak kılavuz tertibatını yerine kilitleyin.

### BIÇAK KILAVUZLARI

Üst ve alt bıçak kılavuzları bıçağın bükülmeden çalışmasını sağlar.

### TOZ ÇIKIŞ YUVASI

53 mm (2-1/8") toz çıkış yuvası ile tozsuz kesim mümkündür. Toz çıkış yuvasına bir toz torbası (birlikte verilmez) ya da atölye süpürgesi takın.

### KAPAK KİLİT VİDASI

Ayarlamalar yapmak için ön kapağın açılmasını sağlar.

### GÖNYE ÖLÇÜSÜ

Bu ölçü ahsabı enine kesim için hizalar. Okuması kolay gösterge 15°, 30°, 45° ve 60° açılarında kesim için doğru açıları gösterir.

### RAPİDSET™ BIÇAK GERĞİ KOLU

Bıçağı değiştirirken ya da çeşitli kesme uygulamaları için ayarlamalar yaparken bıçak gerginliğini kontrol eder.

### TESTERE BIÇAĞI

Testereye standart 6.35 mm (1/4") bıçak dahildir.

### BOĞAZ PLAKALI TESTERE TEZGAHI

Şerit testereniz eğim kontrollü bir testere tezgahına sahiptir. Fabrikada testere tezgahına monte edilmiş olan boğaz plakası bıçak açıklığını mümkün kılar.

### ÖLÇEK VE ÖLÇEK GÖSTERGESİ

Ölçek ve ölçek göstergesi açılı kesme işlemi için testere tezgahının eğildiği açı ya da dereceyi gösterir.

### TEZGAH KİLİT KOLU

Tezgaah kilit kolu gevşetildiğinde testere tezgahı farklı açılarda eğilebilir. Tezgaah kilit kolu sıkıldığında testere tezgahı sabitlenir.

### DÖNÜŞ İZİ DÜĞMESİ

Bıçağın tekerlekler üzerinde ortalanmış halde çalışması için izlemeyi ayarlar.

### İZLEME GÖRÜNTÜSÜ PENCERESİ

İzleme görüntüsü penceresi sayesinde izleme ayarlamalarını görmek daha kolaydır.

### İTME KOLU

Çalışma parçası tezgahtan ayrılana dek her zaman iste çubuğunu kullanın.

### GEVŞEK PARÇA LİSTESİ

Açıklama	Mikt.
Pullar	7
Tezgaah kilit kolu	1
Altigen anahtar , 3 mm	1
Altigen anahtar , 4 mm	1
Altigen anahtar , 5 mm	1
Gönye ölçüsü	1
Kör somunlar	4
Ayaklar	4
Testere tezgahı	1
Tespit civataları	2



## Türkçe (Orijinal talimatlar)

Altıgen somunlar	2
Uzantı desteği	1
Yarma siperi	1
İtme kolu	1
Kullanım kılavuzu	1

### MONTAJ

#### AMBALAJINDAN ÇIKARMA

Bu ürün kurulum gerektirmektedir.

- Ürünü kartondan dikkatlice kaldırın ve düz bir çalışma yüzeyine yerleştirin.

#### ⚠ UYARI

Ürünün paketini açtığımızda Serbest Parçalar Listesindeki parçalardan herhangi birisi halihazırda takılı ise ürünü kullanmayın. Bu listedeki parçalar üretici tarafından takılı olmayan şekilde gönderilir ve bu parçaları müşterinin takması gereklidir. Uygun şekilde montajı yapılmamış bir ürünün kullanımı ciddi kişisel yaralanmaya yol açabilir.

- Gönderim esnasında kırılma ya da hasar olmasına karşın aleti kontrol edin. **NOT:** Bu testere bıçak gerginliği olmadan gönderilmiştir. Bıçak gerginliği düzgün bir şekilde ayarlanana dek bu testereyi çalıştırmayın.
- Aleti dikkatlice inceleyip tatmin edici bir şekilde çalıştırana dek ambalaj malzemelerini atmayın.
- Hasar gören ya da eksik parçalar varsa lütfen yardım için servis merkezini arayın.

#### ⚠ UYARI

Hasar gören ya da eksik parçalar varsa bu parçalar değiştirilene kadar bu ürünü çalıştırmayın. Bu ürünün hasar görmüş ya da eksik parçalarla çalıştırılması ciddi kişisel yaralanmalara yol açabilir.

#### ⚠ UYARI

Değişiklik yapmayın ya da bu aletle kullanılması tavsiye edilmeyen aksesuarları kullanmayın. Bu tipteki değişiklikler hatalı kullanıma girer ve olası ciddi kişisel yaralanmalara neden olacak tehlikeli durumlara yol açabilir.

#### ⚠ UYARI

Montaj işlemi tamamlanana kadar güç kaynağı bağlantısını yapmayın. Aksi halde ürün kazara çalışabilir ve olası ciddi kişisel yaralanmaya yol açabilir.

#### ÜRÜNÜN ÇALIŞMA TEZGAHINA MONTAJI

Ürün kalıcı bir yerde kullanılacaksa, çalışma tezgahı gibi sağlam destekleyici bir yüzeye monte edilmelidir. Bu amaçla testerenin tabanında dört civata deliği bulunmaktadır. Civatalar (birlikte verilmez) testere tabanı, kilit pulları (birlikte verilmez), altıgen somunlar (birlikte verilmez) ve çalışma tezgahının kalınlığını kapsayacak uzunlukta olmalıdır. Dört civatayı da iyice sıkın.

Montaj sonrasında çalışma tezgahının kullanım esnasında hareket etmeyecek şekilde olduğunu dikkatlice kontrol edin. Bir yana yatma, kayma ya da yürüme varsa çalıştırmadan önce çalışma tezgahını zemine sabitleyin.

- Ürünü çalışma tezgahına yerleştirin. Testere tabanını bir şablon gibi kullanarak ürünün sabitleneceği delikleri bulun ve işaretleyin.
- Çalışma tezgahında delikleri delin.
- Şerit testereyi deliklere denk gelecek şekilde çalışma tezgahı üzerine yerleştirin.
- Civataları (birlikte verilmez) takın ve kilit pulları ve altıgen somunları (birlikte verilmez) iyice sıkın. **NOT:** Civataların hepsi üstten takılmalıdır. Kilit pulları ile altıgen somunları tezgahın altından takın.

#### ÜRÜNÜN ÇALIŞMA TEZGAHINA MENGENE İLE SABİTLENMESİ

*Şekle bakınız 4.*

Ürün taşınabilir bir alet olarak kullanılacaksa çalışma tezgahı ya da diğer bir destekleyici yüzeye kolaylıkla mengene ile sıkıştırılacak bir montaj tabanına takılmasını tavsiye ederiz. Montaj tabanı kullanım esnasında yana yatmaya izin vermeyecek şekilde yeterli büyüklükte olmalıdır. 19 mm (3/4") kalınlıkta kaliteli bir kontrplak ya da sunta kullanmanız tavsiye edilir.

Trifon vida kullanacaksanız testere tabanından testerenin monte edileceği malzemenin içine geçecek yeterli uzunlukta olduklarından emin olun. Makine civataları kullanacaksanız testere tabanından testerenin monte edileceği malzemenin içine, oradan kilit pulları ile altıgen somunlarına kadar yeterli uzunlukta olduklarından emin olun.

**NOT: MONTAJ TABANININ ALT KISMINDA ALTIGEN SOMUNLARLA PULLARIN YÜZEYE OTURTULMASI GEREKEBİLİR.**

- Testere tabanındaki delikleri şablon gibi kullanarak testereyi tabana yerleştirin. Şerit testerenin monte edileceği delikleri bulun ve işaretleyin.



## Türkçe (Orijinal talimatlar)

- Yukarıda gösterilen ürünün montajı bölümündeki son üç adımı takip edin.

### TESTERE TEZGAHININ MONTAJI

Şekle bakınız 5, 7.

- Testere tezgahı üzerindeki d somun, pullar ve kelebek vidayı çıkarın.
- Şerit testerenin ön kısmında ayakta dururken, testere tezgahını bıçağı geçecek ve yuvanın içinden geçecek şekilde testere tezgahının solundan sağına doğru kaydırın.
- Testere tezgahını sol elinizle tutarken ve açılı ayar düğmesini testere çerçevesinden çekerken testere tezgahı braketini üzerindeki dişli açılı ayarlama düğmesi üzerindeki diş ile aynı hizaya getirin. Düğmeyi bırakın.
- Çerçeve üzerindeki pimleri testere tezgahı braketini üzerindeki yuvalara yerleştirin.
- Tezgah kilit kolunun yivli ucuna bir pul yerleştirin. Testere tezgahını testere çerçevesine tezgah kilit kolunu saat yönünde çevirerek sıkın.
- Testere tezgahı üzerindeki d somun, pullar ve kelebek vidayı takın.

**NOT:** Kelebek vida testere tezgahının alt kısmına gider.

### UZATMA DESTEĞİNİN TAKILMASI

Şekle bakınız 6.

- Uzatma desteğinin borularını arka kısımdaki testere tabanının deliklerine takın.
- Borularla testere tabanındaki delikleri hizalayın.
- Tespit civatalarını takın ve pullar ile altıgen somunlarla sıkın.

### TESTERE TEZGAHININ BIÇAĞA KARELENMESİ

Bkz. şekil 8 - 9.

- Biçak kılavuz tertibatının kilidini açmak için kilit düğmesini saatin tersi yönünde çevirin. Biçak kılavuz ayarlama düğmesini saat yönünde çevirerek biçak kılavuz tertibatını en yüksek konuma alın. Tekrar sıkılmak için kilit düğmesini saat yönünde çevirin.
- Biçağın yanında testere tezgahı üzerine küçük bir ayarlı gönye yerleştirin.
- Tezgahı bıçağa 90° ile ayarlamak (0° konumu) için tezgah kilit kolunu gevşetin ve açılı ayarlama düğmesini döndürerek testere tezgahını yukarı ya da aşağı eğin. Tezgah kilit kolunu tekrar sıkın.
- Ayarlama somununu testere gövdesine neredeyse değecek kadar çevirin.
- Testere tezgahının bıçağa olan kareliğini kontrol edin. Gerekirse tekrar ayar yapın.
- Ölçek göstergesini sıfıra ayarlayın ve yıldız tornavida ile vidayı sıkın.

**NOT:** yeni bir projeye başlamadan önce her zaman bıçağın kareliğinden emin olmak için test kesimi yapın. Kare değilse testere tezgahı altındaki vidaları gevşetip ayarları yeniden yapmak gerekebilir (gönye yuvası testere bıçağına paralel olmalıdır). Kare ise vidaları yeniden sıkın.

### BIÇAK GERGINLİĞİNİN AYARLANMASI

Şekle bakınız 10 -11.

- Ürünü kapatın.
- Şerit testereyi kullanmadan önce gerginliği başlatmak için testerenin üst kısmındaki bıçak gergi düğmesini çevirin.
- NOT: bıçak gerginlik ayarları istenilen her zaman yapılabilir.
- Gergi düğmesini çevirirken testere bıçağının arka düz yüzeyini gitar teliymiş gibi çekin.

Gerginlik arttıkça ses inceler. Yayı bastırarak şekilde bıçak gerginliğini artırarak asla çok sıkı yapmayın. Yay tamamen bastırıldığında darbe emiciliği görevini yerine getiremez.

Fazla gergin olduğunda bıçak kırılabilir. Maksimum gerginlik tüm kesimler için gerekli değildir, kalın çalışma parçaların daha yüksek gerginlik gerektirebilir. Az gerginlik durumunda bıçak tekerleklerden kayabilir.

### BIÇAĞIN İZLENMESİ

Şekle bakınız 11.

İzleme ayarlaması yapmadan önce bıçak gerginliğini düzgün şekilde yapın. Biçak kılavuzlarının bıçağa müdahale etmediğini kontrol edin. Biçak boğazının (bıçak dişinin en derin parçası) lastiğin ortasında olması gerekir.

### Ayarlamak için:

Güç bağlantısını kesin. Kapak kilit vidasını çıkararak ön kapakları açın. Üst tekerleği saat yönünde elinizle yavaşça çevirirken bıçağın üst lastikteki konumunu izleyin. Biçak lastiğin merkezinden uzaklaşıyorsa izlemenin ayarlanması gereklidir.

### Biçak merkezden sağa ya da sola kayıyorsa:

- Biçak yerine oturup lastiğin ortasında hareket edene dek tekerleği elinizle çevirirken biçak izleme düğmesini (biçak sola kaydıysa saat yönünde, biçak sağa kaydıysa saatin tersi yönünde) çevirin.
- Biçağın alt lastikteki konumunu kontrol edin. Biçağın tamamen lastiğin üzerinde olması gerekir (biçağın boğazı merkezde olmalı). Değilse bıçak her iki lastik üzerine yerleşene kadar izlemeyi ayarlayın.
- Üst tekerleği saat yönünde elinizle birkaç tur daha çevirin. Biçağın her iki lastik üzerinde de aynı konumda kaldığından emin olun. Biçak düzgün şekilde izlenene kadar gerektiğinde tekrar ayarlama yapın.







## Türkçe (Orijinal talimatlar)

- Ön kapakları kapatın ve kapak kilit vidasını sıkın.
- Ürünü açın.
- Bıçağın lastik üzerinde ortalandığını (izleme görüntüsü penceresinden bakarak) onaylayın. Ortalanmamışsa yukarıdaki adımları tekrarlayın.

### ⚠ UYARI

Bıçak kılavuzları fabrikada ön ayarlı olarak hazırlanmıştır. Bu ayarlar bazı uygulamalar için yeterlidir. Testereyi ilk defa kullanmadan önce bıçak kılavuz ayarlarını kontrol edip ayarlamanızı öneririz. Bu kullanım kılavuzunun "Ayarlama" bölümünde açıkladığı şekilde "Bıçak Kılavuz Desteğini ve Eksenel Yatakları Ayarlama" bölümüne bakın.

### YARMA SİPERİNİN TAKILMASI

- Yarma siperini kilit kolu önde olacak şekilde testere tezgahının sol kısmına yerleştirin.
- Yarma siperini yerine kilitlemek için kilit kolunu aşağıya itin.
- Mengenelerin sıkılığını ayarlamak için kilit kolunu çevirin.

### ÇALIŞTIRMA

### ⚠ UYARI

Aletinize alışmış olsanız dahi dikkatinizi elden bırakmayın. Ciddi şekilde yaralanmanız için bir saniyelik dikkatsizliğin bile yeterli olduğunu asla unutmayın.

### ⚠ UYARI

Her zaman koruyucu gözlük kullanın. Bu uyarının dikkate alınmaması gözlerinizin içine yabancı cisimlerin kaçmasına ve ciddi göz yaralanmalarına yol açabilir.

### ⚠ UYARI

Bu ürünün üreticisi tarafından tavsiye edilmeyen herhangi bir parça ya da aksesuar kullanmayın. Tavsiye edilmeyen parça ya da aksesuarların kullanılması ciddi kişisel yaralanmalara neden olabilir.

### ⚠ UYARI

Bıçakla teması engellemek için bıçak kılavuzu tertibatını çalışma parçasına neredeyse temas edecek şekilde ayarlayın. Bu uyarıya uymama, ciddi kişisel yaralanmalarına sebep olabilir.

### ⚠ UYARI

Bıçak muhafazası sabitlenmemiş ve ön kapakları kilitli olmayan ürünü asla çalıştırmayın. Aksi halde ciddi kişisel yaralanma gerçekleşebilir.

### ŞERİT TESTERENİN TEMEL KULLANIMI

Şerit testere aslında aşağıya doğru enine kesim, gönyeli kesim, eğimli kesim, birleşik kesim ve tekrar kesme gibi düz kesim işlemleri için kullanılabilen "kavisli kesim" makinesidir. Şerit testereyi düz kesim için kullanırken kullanıcı tezgaha uygun boyuttaki bir parçayı "C" mengene kullanarak sabitleyerek bir çit takabilir. Alet iç ya da diğer taraftan çıkmayan kesimler yapamaz.

Kesme işlemine başlamadan önce ürünün çalışmasını izleyin. Aşırı titreşim ya da beklenmeyen ses söz konusu ise aleti derhal durdurun. Ürünü kapatın ve fişi prizden çekin. Sorunu tespit edip düzeltene kadar ürünü tekrar çalıştırmayın.

### KESME USULLERİ

- İş parçasını her zaman tezgaha sıkıca bastırın.
- Çalışma parçasını bıçağa beslerken her iki elinizi kullanarak hafifçe baskı uygulayın. İşi itmeyin; bıçağın kesme işlemi yapmasına izin verin.
- Kesilebilecek en küçük daire çapı bıçak genişliğine bağlıdır. 6.35 mm (1/4") genişliğindeki bir bıçak minimum 38 mm (1-1/2") çapında bir kesme işlemi gerçekleştirecektir.
- Ellerinizi bıçaktan uzak tutun. Parmaklarınızın bıçak muhafazasının altına gitmesine yol açacak kadar küçük parçaları elinizle tutmayın.
- Aniden kaymaların bıçakla temasa ve ciddi yaralanmalara yol açabileceği tuhaf işlemler ile el konularından kaçının. Ellerinizi bıçak yoluna asla koymayın.
- Büyük, küçük ya da tuhaf şekilli çalışma parçaları keserken ekstra destekler (tabla, bıçkı sehpa, blok, vb) kullanın.
- Temel testere tezgahından daha uzun ya da geniş parçaları ile çalışırken tezgah uzatması yerine ya da ek destek olması için asla bir kişiyi kullanmayın.
- Düzensiz şekilli parçaları keserken çalışmanızı bıçağı sıkıştırmayacak şekilde planlayın. Örneğin bir çita parçası testere tezgahında düz yatık konumda





## Türkçe (Orijinal talimatlar)

olmalıdır. Çalışma parçalarının kesme esnasında dönmemesi, sallanmaması ve kaymaması gerekir.

Çalışma parçasını iterken bıçak kesim yolunda sıkışabilir. Bunun nedeni talaşın kesim yolunu tıkaması ya da bıçağın kılavuzlardan çıkmasıdır. Bu durumda:

- Ürünü kapatın. Testere tamamen durana kadar bekleyin. Ürünü güç kaynağından sökün.
- Düz uçlu tornavida ya da tahta bir kama kullanarak kesim yolunu kanıtılarak açın.
- Ön kapağı açın ve çalışma parçasını iterken üst tekerleği elinizle çevirin.

### RAHATLATICI KESİMLER

Rahatlatıcı kesimler (bıçağın yarıçapı için çok küçük olan) girift kıvrımlar kesileceği zaman yapılır. Çalışma parçasının kullanılmayacak kısımlarını kıvrım hizasına kadar uzunlamasına kesin ve parçayı bıçaktan geri çıkarın. Girift kıvrımlar için şablon çizgisi üzerinde çalışmaya başlamadan önce birkaç rahatlatıcı kesim yapılmalıdır, böylece kıvrım kesildiğinde rahatlatıcı kesim yapılan parçalar kesilip atılacağından bıçak basıncı "rahatlatılmış" olacaktır.

### KAYDIRMA KESİM

Genel oyma kesim işlemi için çalışma parçasını aynı anda iterek ve çevirerek şablon çizgisini takip edin. Bıçağın içinde olduğu çalışma parçasını itmeden çevirmeye çalışmayın - aksi halde parça sıkışabilir ya da bıçağı kıvrabilir.

### SIKIŞMIŞ MALZEMELERİN ÇIKARILMASI

Bıçak tamamen durmadan asla sıkışmış kesilen parçaları çıkarmayın.

- Ürünü kapatın. Testere tamamen durana kadar bekleyin.
- Sıkışmış malzemeleri çıkarmadan önce ürünü prizden çıkarın.

### YARALANMADAN KAÇINMA

- Testerenin düz olduğundan ve sallanmadığından emin olun. Testere sağlam ve düz bir yüzeyde olması ve etrafında parçayla çalışma ve doğru şekilde destekleme için bolca alana sahip olması gerekir.
- Uzun, ağır tahtaları keserken atlama, yürüme ya da kayma olmaması için testereyi destek yüzeyine civata ile tutturun.
- Testereyi taşımadan önce kapatın ve fişini prizden çekin.
- Bıçak tamamen durmadan sıkışmış kesilen parçaları çıkarmayın.
- Malzeme ve planladığınız kesim türü için doğru bıçak boyutu ve tarzını seçin.

- Bıçak dişlerinin testere tezgahına doğru aşağıya baktığından, bıçak kılavuzları, eksenel yataklar ve bıçak gerginliğinin doğru şekilde ayarlandığından, bıçak kılavuz düğmesinin sıkı olduğundan ve hiçbir parçanın aşırı oynamadığından emin olun.
- Bıçakla kazara temastan kaçınmak, bıçağın kırılmasını asgari seviyeye indirmek ve azami bıçak desteği sağlamak için her zaman bıçak kılavuz tertibatını çalışma parçasına neredeyse temas edecek şekilde ayarlayın.
- Sadece önerilen aksesuarları kullanın.
- Testereyi çalıştırmadan önce çalışma parçası ve ilgili destek parçaları hariç üzerindeki her şeyi temizleyin.
- Ağaç çubuklar ya da borular gibi yuvarlak malzemeleri kesme esnasında yuvarlanıp bıçağın "ısımasına" yol açabileceklerinden doğru şekilde destekleyin. Bunu önlemek için her zaman "V" blok kullanın ya da çalışma parçasını bir gönye ölçüsüne mengene ile tutturun.
- Kesilmiş parçaları testere tezgahından almadan önce testereyi kapatın ve hareketli tüm parçaların durmasını bekleyin.

### ÜRÜNÜ KAPATIP AÇMAK.

*Şekle bakınız 12.*

- Ürün üzerindeki "I" düğmesine basın.
- Ürün üzerindeki "O" düğmesine basın.

### ÜRÜNÜN YANINDAN AYRILMADAN ÖNCE

*Şekle bakınız 12.*

- Ürünü kapatın. Testere tamamen durana kadar bekleyin.
- Ürünü güç kaynağından sökün.
- Çocukları atölyeden çıkarın.
- Bıçağın ömrünü uzun tutmak için Rapidset™ bıçak gerginlik kolunu kullanarak testere bıçağındaki gerginliği alın.
- Atölyeyi kilitleyin.

### ÇALIŞMA İŞİĞİNİ AÇIP KAPAMAK

*Şekle bakınız 13.*

- Çalışma ışığı üzerindeki "☀" düğmesine basın.
- Çalışma ışığı üzerindeki "O" düğmesine basın.

### TEZGAHIN EĞİLMESİ

*Şekle bakınız 14.*

- Tezgah kilit düğmesini biraz gevşetin.
- Açık ayarlama düğmesini çevirirken testere tezgahını istenilen açıya ulaşıncaya dek eğin.
- Ölçek göstergesini kullanarak açı işaretlerini kontrol edin.





## Türkçe (Orijinal talimatlar)

- Testere tezgahını yerine sabitlemek için tezgah kilit düğmesini tekrar sıkın.

### GÖNYE ÖLÇÜSÜ KULLANIMI

Bkz. şekil 15 - 16.

Gönye ölçüsü sağa ya da sola doğru en fazla 60°'ye ayarlanabilir.

- Gönye ölçüsü üzerindeki kilit düğmesini gevşetin.
- Gönye ölçüsü, gönye ölçüsü yuvasındayken ölçek üzerindeki istenen açığa ulaşana dek gönyeyi çevirin.
- Kilit düğmesini tekrar sıkın.

### YARMA SİPERİ KULLANIMI

Yarma siperi tüm yarma işlemleri için kullanılır. Siper yerinde ve güvenli bir şekilde sabitlenmiş olmadan asla eller serbest şekilde yarma işlemi uygulamayın.

- Siperi istenilen yarma genişliğinde yerleştirin ve yerine kilitleyin.
- Yarma işlemine başlamadan önce yarma siperinin testere bıçağına paralel olduğundan emin olun. Uzun tahtalar ya da geniş panelleri yararken her zaman iş desteği kullanın.
- Çalışma parçasını sipere dayayın ve hafif ve sürekli bir basınç ile testere bıçağına besleyin.

### AYARLAR

#### ⚠ UYARI

Herhangi bir ayar yapmadan önce aletin prizinin çekildiğinden ve düğmenin kapalı konumda olduğundan emin olun. Bu uyarının dikkate alınmaması ciddi kişisel yaralanmalarla sonuçlanabilir.

#### ⚠ UYARI

Kişisel yaralanmalardan kaçınmak için bıçak gerginliği, bıçak izlemesi, bıçak kılavuzları ve eksenel yatakların ayarlarının düzgün olduğundan emin olun.

### BIÇAĞIN TAKILMASI VE AYARLANMASI

Şekle bakınız 17.

- Testere tezgahındaki kelebek vida, pullar ve D somunu çıkarın.
- Kapak kilit vidasını çıkararak ön kapakları açın.
- Bıçak kılavuz tertibatının kilidini açmak için kilit düğmesini saatin tersi yönünde çevirin. Bıçak kılavuz düğmesini çevirerek (saat yönünde çevrildiğinde bıçak kılavuz tertibatı yükselir saatin tersi yönünde alçalır) bıçak kılavuz tertibatını testere tezgahı ile

testere gövdesi arasında ortaya denk gelecek şekilde konumlandırın. Kilit düğmesini tekrar sıkın.

- Bıçak muhafazasının sol kısmını dışarı ve tekerlekten uzağa doğru çekerek muhafazayı açın.
- Bıçaktaki tüm gerginliği giderin.
- Eski bıçağı dikkatli bir şekilde çıkarın.
- Eldiven kullanarak yeni bıçağı kol genişliğinde açın. Yeni bıçak paslanmaya karşı yağlanmış ise çalışma parçanıza yağ bulaşmaması için bıçak üzerindeki yağı silinmesi gerekir. Yağı sildiğiniz bezin testere bıçağı dişlerine takılmaması için yağı dişlerin olduğu yöne doğru dikkatlice silin.

**NOT:** Dişler yanlış yöne bakıyorsa bıçağın içten dışa çevrilmesi gerekebilir. Bıçağı iki elinizle tutup iç kısma doğru çevirin.

- Bıçağın dişleri testerenin soluna ve aşağı bakarken bıçağı alt bıçak kılavuzlarının içinden ve her iki tekerleğin etrafından geçirin.
- Üst tekerleği sağa ya da saat yönüne elle çevirerek bıçağı kauçuk lastikler üzerinde ortalayın.
- RapidSet™ bıçak gerginlik kolunu tekrar devreye sokun ve bıçak gerginliğini ayarlayın, bıçak izlemesini kontrol edin ya da ayarlayın.
- Bu Kullanım Kılavuzunun sonraki bölümünde açıklandığı şekilde üst ve alt bıçak kılavuzları ile eksenel yatakları ayarlayın.
- Kelebek vida, pullar ve D somunu tekrar takın. İyice sıkın.
- Bıçak muhafazası ve ön kapağı kapatın. Kapak kilit vidasını sıkın.

### BIÇAĞ KILAVUZ TERTİBATINI AYARLAMA

Bkz. şekil 18 - 19.

Bıçağın dönmesi ve kırılmasını engellemek için bıçak kılavuz tertibatının her zaman çalışma parçasının yaklaşık 3.2 mm (1/8") üzerine ayarlanması gereklidir.

- Bıçak kılavuz tertibatının kilidini açmak için kilit düğmesini saatin tersi yönünde çevirin.
- Bıçak kılavuz tertibatının yüksekliğini ayarlamak için kılavuz olması için kesmek üzere olduğunuz aynı tahtadan kullanılmayan bir parça kullanın. Bıçak kılavuz düğmesini çevirerek bıçak kılavuz tertibatını ayarlayın.
- Kilit düğmesini saat yönünde çevirerek bıçak kılavuz tertibatını kilitleyin.
- Şerit testereyi çalıştırmaya başlaman önce her zaman bıçak kılavuz tertibatını yerine kilitleyin.

### BIÇAĞ KILAVUZ DESTEĞİ VE EKSENEL YATAKLARIN AYARLANMASI

Bkz. şekil 20 - 21.





## Türkçe (Orijinal talimatlar)

**NOT:** Kilit düğmesini sıkın ve herhangi bir ayar yapmadan önce bu kullanım kılavuzunun MONTAJ kısmının "Bıçak Gerginliğinin Ayarlanması" ve "Bıçağın İzlenmesi" bölümlerinde açıklanan prosedürleri takip edin.

Kesme işlemleri esnasında üst ve alt bıçak eksenel yatakları testere bıçağını desteklerken yatak testere bıçağına yol gösterir. Yataklar ile kılavuzların ayarı farklı bıçak takıldığı her zaman kontrol edilmelidir.

### Eksenel yatakların ayarlanması:

Eksenel yataklar kesme esnasında bıçağın arka kenarını destekler. Kesme işlemini durdurduğunuzda bıçak eksenel yataklara temas etmemelidir. Üst ve alt eksenel yatakların eşit şekilde ayarlanması önemlidir.

- Ön kapaklar ile bıçak muhafazasını açın.
- Alayan anahtar kullanarak üst ve alt eksenel yatak vidalarını gevşetin ve eksenel yatakları testerenin arkasına itin.
- Testere bıçağının doğru şekilde izlediğini kontrol edin, ardından eksenel yatağı bıçağın 0.4 mm (1/64") yakınına gelecek şekilde öne kaydırın. Eksenel yatak vidasını iyice sıkın.
- Uygun boşluk olana dek alt yatağı öne kaydırın. Eksenel yatak vidasını iyice sıkın.

### Bıçak kılavuz desteğinin ayarlanması:

- Bıçak kılavuz desteğini ve bıçak kılavuz ser vidalarını alayan anahtar kullanarak gevşetin.
- Üst bıçak kılavuz desteğinin kılavuzların ön kenarı boşgazin arkasında bıçakla temas edene dek şaft üzerinde kaydırın. Vidayı iyice sıkın.
- Sağ kılavuzu bıçakla temas edecek şekilde itin ve bırakın. Tekerleği yavaşça bir tam tur çevirin. Bıçak kılavuzu set vidalarını sıkın.
- Sol kılavuz ile bıçak arasına bir oyun kartı yerleştirerek bıçak ile sol kılavuz arasındaki mesafeyi 0.4 mm (1/64") (yaklaşık bir oyun kartı genişliği) olacak şekilde ayarlayın.
- Oyun kartını yerinde tutabilmek için sol kılavuz pimine baskı uygulayın. Set vidayı sıkın ve oyun kartını çıkarın.
- Bıçağın takılmadığından emin olmak için el üç tam tur döndürün.
- Bıçak muhafazası ve ön kapağı kapatın. Vida ile kilitleyin.

Bu prosedürü alt bıçak kılavuz desteği için de tekrarlayın.

### YARMA SİPERİNİN AYARLANMASI

- Kilit kolunu saat yönünün tersine çevirerek gevşetin.
- Yarma siperini istenen konuma hareket ettirin.
- Yarma siperini yerine kilitlemek için kilit kolunu aşağıya itin.

- Mengenelerin sıklığını ayarlamak için kilit kolunu çevirin.

### BAKIM

#### ⚠ UYARI

Servis hizmetinde sadece aynı yedek parçaları kullanın. Diğer parçaları kullanmak tehlike yaratabilir ya da hasara neden olabilir.

#### ⚠ UYARI

Ürünü kullanırken her zaman göz koruması kullanın. İşlem tozlu olucaksa aynı zamanda bir toz maskesi de kullanın.

#### ⚠ UYARI

Herhangi bir bakım işlemi yapmadan önce aletin prizinin çekildiğinden ve düğmenin kapalı konumda olduğundan emin olun. Bu uyarının dikkate alınmaması ciddi kişisel yaralanmalarla sonuçlanabilir.

### GENEL BAKIM

Plastik parçaları temizlerken solventleri kullanmaktan kaçının. Çoğu plastik, piyasada bulunan çözültü çeşitlerine karşı hassastır ve bu çözültülerin kullanılmasından dolayı hasar görebilirler. Kiri, tozu, yağı ve gres yağını temizlemek için temiz bir bez kullanın.

#### ⚠ UYARI

Asla fren hidroliğinin, benzinin, petrol esaslı ürünlerin, yüzeye işleyen yağların vb. plastik parçalarla temas etmesine izin vermeyin. Bu kimyasal ürünler plastik parçaları zara verebilir; kırılabilir ya da bozabilir.

- Ürünü temiz tutun.
- Ürün içerisindeki talaşı sıklıkla temizleyin.
- Testere tezgahı, bıçak kılavuzları ya da eksenel yataklar üzerinde zift birikmesine izin vermeyin. Zamb ve zift temizleyici ile temizleyin.
- Kesim esnasında tahtanın kayabilmesi içi testere tezgahın üst kısmına ince bir kat araç cilası uygulayın.

### Yağlama

Normal işleme koşulları için, cihazın tüm yuvaları yüksek kalite yağlarla ömür boyu yağlanmıştır. Buna göre, fazladan yağlama yapılmasına gerek yoktur.



## Türkçe (Orijinal talimatlar)

### LASTİKLER

#### Lastikleri temizlenmesi:

- Lastiklerin üzerinde zift ve talaş birikir ve ince bir fırça ya da tahta parçası ile temizlenmelidir. **Keskin bıçak ya da solvent kullanmayın.**

#### Lastiklerin değiştirilmesi:

- Ön kapağı açın ve testere bıçağını çıkarın. Bıçağın Takılması ve Ayarlanması bölümüne bakın
- Tekerlek üzerindeki aşınmış lastiği dikkatlice çekerek çıkarın.
- Yeni lastiği tekerlek etrafına esneterek yerleştirin.
- Testere bıçağını geri takın ve ön kapağı kapatın.

### FIRÇA

Şekle bakınız 22.

Testere gövdesinin içinde, tekerleğin yanında bir fırça vardır. Bu fırçayı kullanarak talaşı temizleyebilir ve lastik ile tekerleği koruyabilirsiniz. Fırça eskidiğinde ayarlanması ta da değiştirilmesi gereklidir.

- Vidayı ve pulu çıkarın ve fırçayı çekerek yerinden çıkarın.
- Yeni fırçayı yuvasına yerleştirin.
- Pul ile vidayı geri takın.

### TAŞIMA VE SAKLAMA

Bkz. şekil 23 - 24 .

- Ürünü taşırken, güç kablosunu prizden çıkarın, bıçak muhafazasını indirin ve ürün montajını sökün. İtme sopasını üst gövdenin yanında tutun. Ürünü gösterildiği şekilde üst gövdeden kaldırın. Ürünü çocukların erişemeyeceği güvenli bir yerde saklayın.
- Depolamadan önce ürünü bir fırça ve elektrikli süpürge kullanarak temizleyin.

### ÇEVRENİN KORUNMASI



Ham maddeleri çöp olarak atmak yerine geri dönüştürün. Çevreyi korumak için, alet, aksesuarlar ve ambalajlar tasnif edilmelidir.

### SEMBOL



Güvenlik ikazı



CE uygunluğu



Ürünü çalıştırmadan önce, lütfen aşağıdaki talimatları dikkatlice okuyun.



Koruyucu gözlük kullanın



Koruyucu kulaklık kullanın



TEHLİKE! Keskin bıçak.



Kilit



Kilidi açma



Azami kesme derinliği



Azami kesme genişliği



Azami kesme açısı



Çalışma hızı



Bıçak ebatı



Bakım öncesinde aletin güç kaynağı bağlantısının kesilmesi gerekir.



Atık elektrikli ürünler evsel atıklarla birlikte atılmamalıdır. Tesis bulunuyorsa lütfen geri dönüşüme verin. Geri dönüşümle ilgili tavsiye için Yerel Makamlarla veya bayi ile irtibat kurun.

**Türkçe (Orijinal talimatlar)****SORUN GİDERME**

Sorun	Olası nedeni	Çözümü
Motor çalışmıyor	<ol style="list-style-type: none"><li>AÇMA/KAPAMA düğmesi ya da kablo ile ilgili sorun.</li><li>Motor bozuk.</li><li>Bıçak sıkışıyor.</li></ol>	<ol style="list-style-type: none"><li>Ürünü tekrar kullanmadan önce aşınmış parçaları yenisiyle değiştirin.</li><li>Herhangi bir tamirat yapmayın. Alet mutlaka yetkili teknisyen tarafından onarılmalıdır.</li><li>Sıkışmış malzemeleri çıkarın</li></ol>
Bıçak üst tekerleğin yaklaşık olarak ortasında çalışmıyor.	<ol style="list-style-type: none"><li>Düzgün izleme yapmıyor.</li></ol>	<ol style="list-style-type: none"><li>İzlemeyi ayarlayın, AYARLAMALAR bölümü, "Bıçağı İzleme" kısmına bakın.</li><li>Hasar gördüyse hemen kalifiye bir servis elemanınca değiştirilmesini sağlayın.</li></ol>
Şerit testere kesim yaparken yavaşlıyor.	<ol style="list-style-type: none"><li>Küçük yarıçapta kesiyor.</li><li>Bıçak körelmiş.</li></ol>	<ol style="list-style-type: none"><li>Beslemeyi durdurun ve şerit testere hızlanana dek kesilen malzemeyi geri çekin.</li><li>Bıçağı değiştirin.</li></ol>
Bıçak kırılıyor.	<ol style="list-style-type: none"><li>Bıçak gerginliği çok fazla.</li><li>Küçük çapta kesim yaparken ya da kesim esnasında malzemeyi çok hızlı çevirirken bıçakta bükülme olmuş.</li><li>Eksenel yataklarda bere var ya da dönmüyor.</li></ol>	<ol style="list-style-type: none"><li>Gerginliği ayarlayın. AYARLAMALAR bölümü, "Bıçak Gerginliğini Ayarlama" kısmına bakın.</li><li>Doğru kesim tekniğini kullanın. Çalıştırma bölümüne bakın.</li><li>Eksenel yatakları değiştirin.</li></ol>
ürün gürültülü çalışıyor.	<ol style="list-style-type: none"><li>Bıçak gerginliği çok fazla.</li><li>Bıçak kılavuzları ile yataklar bıçağa temas ediyor.</li></ol>	<ol style="list-style-type: none"><li>Gerginliği ayarlayın. AYARLAMALAR bölümü, "Bıçak Gerginliğini Ayarlama" kısmına bakın.</li><li>Üst ve alt bıçak kılavuzları ile yatakları ayarlayın. AYARLAMALAR bölümü, "Eksenel Yatakları ve Bıçak Kılavuz Desteğini Ayarlama" kısmına bakın.</li></ol>
Bıçak düz kesmiyor.	<ol style="list-style-type: none"><li>Bıçak kılavuzları ve yataklar doğru ayarlanmamış.</li><li>Aşınmış ya da bozuk bıçak.</li></ol>	<ol style="list-style-type: none"><li>Üst ve alt bıçak kılavuzları ile yatakları ayarlayın. AYARLAMALAR bölümü, "Eksenel Yatakları ve Bıçak Kılavuz Desteğini Ayarlama" kısmına bakın.</li><li>Bıçağı değiştirin.</li></ol>
Bıçak kılavuzları yerinde durmuyor.	<ol style="list-style-type: none"><li>Bıçak kılavuz vidaları gevşemiş.</li></ol>	<ol style="list-style-type: none"><li>Bıçak kılavuzu vidalarını sıkın.</li></ol>
Motor çalışıyor ancak bıçak dönmüyor	<ol style="list-style-type: none"><li>Gerginlik düzgün ayarlanmamış.</li><li>Tahrik kayışı kopmuş.</li></ol>	<ol style="list-style-type: none"><li>Gerginliği ayarlamak için bıçak gerginlik kolunu kullanın.</li><li>Hasar gördüyse hemen kalifiye bir servis elemanınca değiştirilmesini sağlayın.</li></ol>





## українська мова (переклад оригінальних інструкцій)

### ОПИС

- |  |                                    |
|--|------------------------------------|
| 1. Ручка регулювання натягу леза                                 | 53. Блокувати                      |
| 2. Фіксуючий гвинт кришки  | 54. Опорний підшипник              |
| 3. Просмотровое вікно  | 55. Гвинт опорного підшипника      |
| 4. Робоча лампа  | 56. Гвинт опори напрямної леза     |
| 5. Захисний кожух леза   | 57. Опора верхньої напрямної леза  |
| 6. Лезо пили   | 58. Напрямна леза                  |
| 7. Кутовий упор  | 59. Стопорний гвинт напрямної леза |
| 8. Патрубок для відведення пилу                                  | 60. Гвинт напрямної леза           |
| 9. Індикатор зі шкалою   | 61. Опора нижньої напрямної леза   |
| 10. Кнопка регулювання кута                                      | 62. Щітка                          |
| 11. Шкала  | 63. Шайба                          |
| 12. Важіль фіксування столу                                      | 64. Гвинт                          |
| 13. Ручка фіксатора  | 65. Шина                           |
| 14. Кнопка регулювання напрямної леза                            |                                    |
| 15. Важіль натягу леза   |                                    |
| 16. Захисна пластинка  |                                    |
| 17. Кнопка регулювання руху                                      |                                    |
| 18. Перемикач включення/вимикання                                |                                    |
| 19. Робочий стіл   |                                    |
| 20. Передня нижня панель   |                                    |
| 21. Передня верхня панель  |                                    |
| 22. Напрямна планка  |                                    |
| 23. Вимикач робочої лампи  |                                    |
| 24. Штовхач  |                                    |
| 25. Хрестова викрутка (не входить в комплект постачання)         |                                    |
| 26. Розсувний гайковий ключ (не входить в комплект постачання)   |                                    |
| 27. Малий комбінований кутник (не входить в комплект постачання) |                                    |
| 28. Пальцева прокладка , 3 mm                                    |                                    |
| 29. Пальцева прокладка , 4 mm                                    |                                    |
| 30. Пальцева прокладка , 5 mm                                    |                                    |
| 31. Шайба  |                                    |
| 32. Заглушки   |                                    |
| 33. Шайби  |                                    |
| 34. Ніжки  |                                    |
| 35. Стопорні болти   |                                    |
| 36. Шестигранні гайки  |                                    |
| 37. Розширення опори   |                                    |
| 38. Отвори у опорній плиті пилки                                 |                                    |
| 39. D-гайка  |                                    |
| 40. Смушковий гвинт  |                                    |
| 41. Скоба робочого стола   |                                    |
| 42. Вузол напрямної леза   |                                    |
| 43. Регулювальний болт   |                                    |
| 44. Щоб зменшити натяг   |                                    |
| 45. Щоб збільшити натяг  |                                    |
| 46. Ручка фіксатора  |                                    |
| 47. Проріз кутового упора  |                                    |
| 48. Гвинти з хрестовиною   |                                    |
| 49. Верхнє колесо  |                                    |
| 50. Нижня напрямна леза  |                                    |
| 51. Нижнє колесо   |                                    |
| 52. Розблокувати   |                                    |





## українська мова (переклад оригінальних інструкцій)

Головними міркуваннями при розробці цієї стрічкової пилки були безпека, ефективність та надійність.

### ПРИЗНАЧЕННЯ

Стрічкова пилка призначена для прямолінійної різки, нарізування плоскої спіралі та різання по колу деревини і дерев'яних виробів.

Продукт призначений для експлуатації тільки дорослими користувачами, які прочитали інструкцію та розуміють ризики та небезпеку пов'язані з експлуатацією приладу.

Пила призначена для використання в сухих умовах, з відмінним освітленням та вентиляцією.

Продукт призначений для побутового використання і повинен використовуватися тільки як описано вище, і не для якихось інших цілей.

### ЗАГАЛЬНІ ПРАВИЛА БЕЗПЕКИ

#### **A** ПОПЕРЕДЖЕННЯ

При використанні електричних інструментів слід завжди дотримуватися загальних правил техніки безпеки, щоб знизити ризик виникнення пожежі, ураження електричним струмом та отримання травм. Прочитайте ці інструкції перед початком роботи з цим продуктом і збережіть ці інструкції.

- **Тримайте робочу зону чистою.** Засмічені області та верстати створюють травми.
- **Враховуйте робоче навколишнє середовище.** Бережіть інструмент від дощу. Не використовуйте інструменти в сирих або вологих місцях. Робоче місце повинно бути добре освітлене. Не використовуйте інструменти у присутності легкозаймистих рідин або газів.
- **Захист від ураження електричним струмом.** Уникайте контакту тіла з заземленими поверхнями, такими як труби, радіатори, плити та холодильники.
- **Тримайте інших осіб подалі.** Не дозволяйте особам, особливо дітям, бути залученими в роботи, торкатися інструменту або подовжувача, і тримайте їх подалі від робочої зони.
- **Зберігайте невикористовувані інструменти.** Якщо не у використанні, інструменти повинні зберігатися в сухому закритому місці, поза досяжністю дітей.
- **Не перевантажувати інструмент.** Він буде виконувати роботу краще і безпечніше при швидкості, для якої він призначений.
- **Використовуйте правильний інструмент.**

Не примушуйте невеликі інструменти, щоб зробити роботу інструменту важкого режиму. Не використовуйте інструменти для не призначених цілей, наприклад, не використовуйте циркулярну пилку для різання гілок або коріння дерев.

- **Одягайтеся правильно.** Не носіть вільний одяг або прикраси, вони можуть потрапити в рухомі частини. Неслизьке взуття рекомендується при роботі на відкритому повітрі. Носіть захисний волоссяний покрив, щоб вкрити довге волосся.
- **Використовуйте захисне обладнання.** Використовуйте захисні окуляри. Використовуйте маску або респіратор, якщо робочі операції створюють пил.
- **Підключіть витяжку для пилу.** Якщо передбачено підключення до інструменту обладнання для збору та видалення пилу, переконайтеся, що воно під'єднане і використовується правильно.
- **Не зловжуйте шнур.** Ніколи не смікайте за шнур, щоб від'єднати його від розетки. Тримайте шнур подалі від джерел тепла, мастила і гострих кромок.
- **Безпечна робота.** Де це можливо, використовуйте затискачі або лещата для проведення робіт. Це безпечніше, ніж використовувати руки.
- **Не тягніться.** Зберігайте правильну стійку і баланс весь час.
- **Обережно ставтеся до інструментів.** Тримайте ріжучий інструмент гострим і чистим для кращої та безпечної роботи. Дотримуйтесь інструкцій по змащенню й заміні аксесуарів. Періодично перевіряйте шнури інструменту, і, якщо вони пошкоджені, відремонтуйте їх в авторизованому сервісному центрі. Періодично оглядайте подовжувачі і замініть, якщо вони пошкоджені. Тримайте ручки сухими, чистими і вільними від масла і мастила.
- **Вимикайте електроінструмент.** Якщо не використовується, перед техобслуговуванням і при зміні приладдя, такого, як леза, свердла і різакі, від'єднайте інструменти від джерела живлення.
- **Видалити регульовальні й гайкові ключі.** Сформуєте звичку перевіряти, що регульовальні ключі і гайкові ключі прибрані з інструменту перед його включенням.
- **Уникайте ненавмисного запуску.** Переконайтеся, що вимикач знаходиться в положенні «вимкнено» при підключенні.
- **Використовуйте подовжувачі дроти для відкритого повітря.** Коли інструмент використовується на вулиці, використовуйте тільки шнури, призначені подовжувачі для використання на відкритому повітрі і так помічені.
- **Будьте пильні.** Дивіться, що ви робите,





## українська мова (переклад оригінальних інструкцій)

використовуйте здоровий глузд і не використовуйте інструмент, коли ви втомилися.

- **Перевіряйте ушкоджені частини.** Перед подальшим використанням інструменту, він повинен бути ретельно перевірений, щоб визначити, що він буде правильно працювати і виконувати свої функції. Перевірте вирівнювання рухомих частин, з'єднання рухомих частин, полумки частин, монтаж та будь-які інші умови, які можуть вплинути на його роботу. Запобіжник або інша частина, яка пошкоджена, повинні бути правильно відремонтовані або замінені в авторизованому сервісному центрі, якщо інше не зазначено в цьому посібнику. Несправні вимикачі повинні замінюватися в авторизованому сервісному центрі. Не використовуйте електроінструмент, якщо перемикач не включає та вимикає його.
- **Попередження** Використання будь-якого приладдя або пристосувань, крім рекомендованих у цьому посібнику, може становити небезпеку отримання травм.
- **Ремонтуйте інструмент за допомогою кваліфікованого фахівця.** Цей електричний інструмент відповідає відповідним правилам безпеки. Ремонт повинен проводитися тільки кваліфікованими фахівцями з використанням оригінальних запасних частин, в іншому випадку це може призвести до серйозної небезпеки для користувача.

### ПОПЕРЕДЖЕННЯ З ТЕХНІКИ БЕЗПЕКИ ПІД ЧАС РОБОТИ ЗІ СТРІЧКОВОЮ ПИЛКОЮ

- **Надійно зафіксуйте або пригвинтіть болтами пилку на верстаку або підставці приблизно на висоті стегна.**
- **Ніколи не використовуйте пристрій на підлозі.**
- **Уникайте незручних операцій і положень рук, де раптове ковзання може призвести до того, що ваша рука може потрапити на лезо.** Завжди будьте переконані, що тримаєте рівновагу.
- **Зачдіть доки двигун почне працювати на повної швидкості, перш ніж почати різати, щоб уникнути заклинювання або стопоріння.**
- **Не використовуйте електроінструмент, якщо перемикач не включає та вимикає його.** Несправні вимикачі повинні замінюватися в авторизованому сервісному центрі.
- **Запасні частини** Всі ремонтні роботи, будь то електричні або механічні, повинні виконуватися кваліфікованим спеціалістом в авторизованому сервісному центрі.
- **При обслуговуванні використовуйте тільки ідентичні запасні частини.** Використання будь-

яких інших деталей може створити небезпеку або спричинити пошкодження продукту.

- **Тримайте руки подалі від зони різання.** Не тримайте в руках шматочки настільки малі, що ваші пальці можуть потрапити під захисний кожух леза. За жодних обставин не тримайте руки або пальці під або на шляху руху ріжучого леза.
- **Ніколи не зрізуйте більше ніж одну частину або не кладіть більше однієї заготовки на робочий стіл в той самий час.**
- **Не подавайте матеріал занадто швидко.** Не штовхайте заготовку проти леза.
- **Використовуйте тільки належне лезо.** Використовуйте правильний розмір і тип леза відповідно до матеріалу і типу розрізу. Зубці пилки повинні бути спрямовані вниз до столу.
- **Завжди підтримуйте великі заготовки при різанні, щоб мінімізувати ризик заклинювання або стопоріння леза.** Пилка може зісковзувати, ходити або ковзати при різанні великих або важких дощок.
- **Не знімайте застряглі шматки, поки лезо не зупиниться повністю.**
- **Заборонено використовувати пошкоджені або деформовані стрічкові пилки.**
- **Замініть пластину для пропила у разі зношення**
- **Підключіть пилку до системи збору пилу при розпилюванні деревини.**
- **Не використовуйте пристрій, коли захисний щиток пилки відкритий.**
- **Обирайте стрічкову пилку і швидкість в залежності від матеріалу.**
- **Не чистить стрічкову пилку доки вона не зупиниться повністю.**
- **Одягайте рукавички при роботі зі стрічковою пилкою та грубим матеріалом.**
- **Коли різете невеликі заготовки під прямим кутом, використовуйте штовхач та напрямну планку.**
- **Під час транспортування пристрою повністю закрийте захисний кожух до самого столу.**
- **Коли робите розріз під кутом, помістіть планку на нижньому боці столу.**
- **При різанні круглого або профільованого бруса неправильної форми, щоб запобігти перекучуванню заготовки, використовуйте стопорний пристрій.**
- **Не використовуйте захисні кожухи під час обслуговування або транспортування.**
- **Встановіть регульований захисний кожух якомога ближче до заготовки наскільки це**



## українська мова (переклад оригінальних інструкцій)

практично можливо.

- Під час роботи заборонено торкатися леза або інших частин, що рухаються.
- Перед зміною налаштувань і зняттям кришок, захисних кожухів або лез, вимкніть пилку з джерела живлення.
- Завжди тримайте заготовку впритул до столу.
- Щоб уникнути випадкового контакту з лезом, зведіть до мінімуму поломки леза, забезпечте максимальну опору леза. Завжди регулюйте вузол напрямної леза, навіть щоб очистити заготовку.
- Слідкуйте, щоб полотна циркулярної пили були чисті, гострі та мали достатній розвід. Гострі леза мінімізують ризик зупинки двигуна та віддачі.
- Завжди вимикайте пилу перед відключенням з мережі живлення, щоб уникнути випадкового запуску при підключенні до джерела живлення.
- Переконайтесь, що робочій простір добре освітлено для роботи, і немає жодних перешкод для здійснення будь-яких дій за допомогою пили.
- Напрямні леза були встановлені на заводі. Ці налаштування є функціональними для деяких режимів. Ми рекомендуємо вам перевірити і зробити налаштування напрямної леза перед першим використанням пилки. Зверніться до розділу "Налаштування опорних підшипників і опор напрямних леза". Ці процедури, описані в розділі НАЛАШТУВАННЯ цієї інструкції з експлуатації.
- Не використовуйте пристрій для різання металу.
- Цей інструмент повинен мати такі позначення:
  - Носіть захист для очей
  - Тримайте руки подалі від леза.
  - Не знімайте застрягли шматки доки лезо не зупиниться.
  - Переконайтесь, що лезо встановлено зубцями, спрямованими вниз.
  - Налаштуйте потрібний натяг леза, напрямні леза і опорні підшипники.
  - Завжди регулюйте верхню напрямну, навіть щоб очистити заготовку.
  - Завжди тримайте заготовку впритул до столу, коли ріжете.
- Якщо шнур живлення пошкоджений, він повинен бути замінений тільки виробником або в авторизованому сервісному центрі, щоб уникнути ризику.
- Збережіть ці інструкції. Часто звертайтеся до них і проводите інструктаж для інших користувачів. Якщо ви позичаєте комусь цей інструмент,

передавайте йому також цю інструкцію.

### ЕЛЕКТРИЧНА ЧАСТИНА

#### ПОДОВЖУВАЧІ

Подовжувачі 3-дротові, які мають 3-контактне заземлення вилки і 3-полюсні приймачі для підключення вилки інструменту. При використанні електроінструменту на значній відстані від джерела живлення, обов'язково використовуйте подовжувач, який має потенціал, щоб впоратися з потрібним для продукту електроживленням. Занадто короткий дрот викликати падіння напруги в мережі, що може стати причиною втрати належної потужності та перегрівання двигуна.

Перед використанням подовжувача, огляньте його на предмет пошкоджень, оголених дротів або зношеної ізоляції.

#### ⚠ ПОПЕРЕДЖЕННЯ

Тримайте подовжувач поділі від робочої зони. Коли працюєте з електроприладом, розміщуйте дрот таким чином, щоб не зачепити його пиломатеріалами, інструментами або іншим чином. Невиконання цієї вимоги може призвести до серйозних травм.

#### ⚠ ПОПЕРЕДЖЕННЯ

Перевіряйте подовжувач перед кожним використанням пристрою. Якщо він пошкоджений, замініть негайно. Заборонено використовувати пристрій із пошкодженим дротом, контакт із пошкодженою ділянкою може стати причиною ураження електричним струмом та серйозних травм.

#### ЕЛЕКТРИЧНЕ ПІДКЛЮЧЕННЯ

Цей інструмент працює від вбудованого електродвигуна. Він повинен бути підключений тільки до мережі змінного струму 220-240 В (стандартна побутова електрична мережа), 50 Гц. Не використовуйте цей продукт з постійним струмом (ПС). Значне падіння напруги призведе до втрати потужності та мотор буде перегріватися. Якщо продукт не працює, коли підключений до розетки, перевірте електроживлення.

#### ШВИДКІСТЬ І ПРОВОДКА

Невантажена швидкість пристрою дорівнює приблизно 11 м/с. Ця швидкість не постійна і зменшується при навантаженні або при більш низькій напрузі. Для належної напруги, проводка у





## українська мова (переклад оригінальних інструкцій)

майстерні так само важлива, як вхідна номінальна потужність двигуна. Лінія призначена тільки для живлення освітлення, непридатна для двигуна електроінструменту. Дріт, який є досить важким для короткої відстані буде занадто легким для більшої відстані. Лінія, яка живить лише один механічний інструмент не в змозі живити два або три інструменти.

### ІНСТРУКЦІЯ ЩОДО ЗАЗЕМЛЕННЯ

Цей прилад необхідно заземлити. У разі виникнення несправності або поломки, заземлення забезпечує шлях найменшого опору електричному струму, щоб зменшити ризик ураження електричним струмом. Цей інструмент має електричний шнур з заземлюючим дротом і заземлювальну вилку. Вилка повинна бути підключена до відповідної розетки, яка встановлена належним чином і заземлена відповідно до всіх місцевих нормативів і правил.

Не змінюйте вилку. Якщо розетка не придатна для приладу, встановити належну розетку за допомогою кваліфікованого електрика. негайно замініть або відремонтуйте пошкоджений чи зношений дріт.

### ЗАЛИШКОВІ РИЗИКИ

Навіть коли продукт використовується як написано, залишається неможливим повністю усунути деякі залишкові чинники ризику. Наступні небезпеки можуть виникнути і оператор повинен звернути особливу увагу, щоб уникнути наступного:

- віддача деталей або частин заготовок через неправильне поводження або регулювання
- Пошкодження дихальної системи.

**ПРИМІТКА:** Носіть респіраторні захисні маски, що містять фільтри, відповідні до обробляємих матеріалів. Забезпечте достатню вентиляцію на робочому місці. Не їжте, не пийте і не паліть в робочій зоні.

- пошкодження слуху, якщо ефективний захист слуху не одягнутий.

### ЗНАЙТЕ СВІЙ ПРОДУКТ.

Дивіться малюнок 1.

Безпечне використання пристрою потребує належного розуміння інформації, зазначеної на пристрої, у цій інструкції з використання, а також розуміння своїх дій. Перед використанням виробу, ознайомтеся зі всіма робочими функціями та вимогами техніки безпеки.

### КНОПКА РЕГУЛЮВАННЯ КУТА

Для різання під кутом, нахилити робочий стіл.

### ЗАХИСНИЙ КОЖУХ ЛЕЗА

Захистить оператора від контакту з лезом.

### КНОПКА РЕГУЛЮВАННЯ НАПРЯМНОЇ ЛЕЗА

За допомогою кнопки регулювання натягу лева можна відрегулювати вузол напрямної лева догори і вниз, щоб захистити лезо від скручування або поломки. Перед вмиканням стрічкової пилки завжди фіксуйте вузол напрямної лева на місці.

### НАПРЯМНІ ЛЕЗА

Верхні і нижні напрямні лева допомагають захищати лезо від скручування під час роботи.

### ПАТРУБОК ДЛЯ ВІДВЕДЕННЯ ПИЛУ

Випускний отвір для пилу 53 мм (2-1 / 8 ") забезпечує безпилоче різання. Прикріпіть мішок для збору пилу (не входить в комплект) або приєднайте випускний отвір для пилу до центральної системи пиловидалення.

### ФІКСУЮЧИЙ ГВИНТ КРИШКИ

Передню кришку слід відкривати для налаштування.

### КУТОВИЙ УПОР

Цей упор вирівнює деревину для поперечного розрізу. Простий у використанні індикатор показує точний кут для різання під кутом 15°, 30°, 45° і 60°.

### ВАЖІЛЬ НАТЯГУ ЛЕЗА RAPIDSET™

Контролюйте натяг лева при зміні лез і налаштуваннях для різних режимів різання.

### ЛЕЗО ПИЛИ

Пилка поставляється зі стандартними лезами 6,35 мм (1/4").

### РОБОЧИЙ СТІЛ З ЗАХИСНОЮ ПЛАСТИНОЮ.

Ваша стрічкова пила обладнана робочим столом з контролем нахилу. Захисна пластина, встановлена у робочий стіл на заводі та має зазор для лева.

### ШКАЛА ТА ІНДИКАТОР ЗІ ШКАЛОЮ

Шкала та індикатор зі шкалою показують кут або ступінь нахилу робочого столу для різання під кутом.

### ВАЖІЛЬ ФІКСУВАННЯ СТОЛУ

Послаблення важеля фіксування столу дозволяє нахилити робочий стіл під різними кутами. Затягування важеля фіксування столу фіксує робочий стіл на місці.

### КНОПКА РЕГУЛЮВАННЯ РУХУ

Налаштуйте переміщення, щоб тримати лезо відцентроване щодо коліс.





## українська мова (переклад оригінальних інструкцій)

### ПРОСМОТРОВЕ ВІКНО

Просмотрове вікно робить простішими відстеження за налаштуванням переміщення.

### ШТОВХАЧ

Завжди використовуйте штовхач для подачі заготовки, поки вона не зійде зі столу.

### ПЕРЕЛІК ДОДАТКОВИХ ДЕТАЛЕЙ

Опис	Кількість
Шайби	7
Важіль фіксування столу	1
Пальцева прокладка , 3 mm	1
Пальцева прокладка , 4 mm	1
Пальцева прокладка , 5 mm	1
Кутовий упор	1
Ковпачкові гайки	4
Ніжки	4
Робочий стіл	1
Стопорні болти	2
Шестигранні гайки	2
Розширена підтримка	1
Напрямна планка	1
Штовхач	1
Інструкція з експлуатації	1

### ЗБИРАННЯ

#### РОЗПАКУВАННЯ

Цей пристрій слід монтувати.

- Обережно витягніть пристрій з коробки і розмістіть на рівній робочій поверхні.

#### ⚠ ПОПЕРЕДЖЕННЯ

Не використовуйте цей пристрій, якщо при розпакуванні будь-які частини, включені до Списку запасних частин, вже змонтовані на вашому пристрої. Зазначенні у цьому списку частини встановлюються не виробником, а користувачем. Використання пристрою, зібраного неналежним чином, може призвести до серйозних травм.

- Ретельно огляньте пристрій, щоб переконатися у відсутності поломок або пошкодження під час доставки. **ПРИМІТКА:** Ця пилка постачається без натягу леза. Не вмикайте цю пилку до електромережі, поки не буде перевірено, що лезо було встановлене належним чином.
- Не викидайте пакувальні матеріали до тих пір, поки не переконаєтесь, що пристрій працює задовільно та безпечно.
- Якщо будь-які деталі пошкоджені або відсутні, зверніться в сервісний центр по допомогу.

#### ⚠ ПОПЕРЕДЖЕННЯ

Якщо будь-які деталі пошкоджені або відсутні, не використовуйте даний пристрій, поки деталі не будуть замінені. Використання цього пристрою з пошкодженими частинами може привести до серйозних травм.

#### ⚠ ПОПЕРЕДЖЕННЯ

Не намагайтеся змінити цей інструмент або зробити приладдя, не рекомендовані для використання з цим інструментом. Будь-яка така зміна або модифікація - це неправильне використання і може призвести до небезпечної ситуації, що призводить до можливих серйозних травм.

#### ⚠ ПОПЕРЕДЖЕННЯ

Не підключайте до джерела живлення, поки монтаж не буде завершений. Недотримання цієї вимоги може привести до випадкового запуску і отримання можливої серйозної травми.

### МОНТАЖ ПРИСТРОЮ НА ВЕРСТАКУ

Якщо пристрій буде використовуватися на стаціонарному місці, він повинен бути встановлений на твердій опорній поверхні, такій як верстак. Для цієї мети призначені чотири отвори для болтів на опорній плиті пилки. Болти (не входять в комплект) повинні мати достатню довжину для розміщення у опорній плиті пилки, пружинні шайби (не входять в комплект), шестигранні гайки (не входять в комплект) повинні відповідати товщині верстака. Міцно затягніть усі чотири болти.

Ретельно перевірте верстак після монтування, щоб переконатися, що під час використання виключено будь-яке переміщення. Якщо можливе будь-яке переміщення, ковзання або перевертання, перед початком роботи зафіксуйте верстак на підлозі.

- Розмістіть пристрій на верстаку. За допомогою





## українська мова (переклад оригінальних інструкцій)

опорної плити пилки як шаблона, розмістіть та відзначте отвори, де пристрій повинен бути встановлений.

- Просвердліть отвори у верстаку.
- Розташуйте стрічкову пилку на верстаку, зрівнюючи отвори на опорній плиті пилки з отворами у верстаку.
- Вставте болти (не входять в комплект) і надійно затягніть разом з пружинними шайбами і шестигранними гайками (не входять в комплект). **ПРИМІТКА:** всі болти повинні бути вставлені зверху. Встановіть стопорні шайби і шестигранні гайки з нижнього боку верстака.

### ЗАКРІПЛЕННЯ ПРИСТРОЮ НА ВЕРСТАКУ

Дивіться малюнок 4.

Якщо пристрій повинен бути використаний в якості портативного інструменту, рекомендується закріплювати його стаціонарно на монтажній основі, яка може легко фіксуватися на верстаку або на іншій опорній поверхні. Монтажна плита повинна бути достатнього розміру, щоб уникнути перекидання пилки під час використання. Для цього рекомендується використовувати будь-яку фанеру або ДСП належної якості товщиною 19 мм (3/4").

При використанні болтів із квадратною голівкою, переконайтеся, що вони досить довгі, щоб пройти крізь отвори в опорній плиті пилки і матеріал, до якого монтується пилка. Якщо використовуються машинні болти, переконайтеся, що болти досить довгі, щоб пройти крізь отвори в опорній плиті пилки і матеріал, до якого монтується пилка, пружинні шайби і шестигранні гайки.

### ПРИМІТКА: МОЖЕ ЗНАДОБИТИСЯ ЗЕНКЕРОВАТЬ ШЕСТИГРАННІ ГАЙКИ І ШАЙБИ НА НИЖНЬОМУ БОЦІ МОНТАЖНОЇ ПЛИТИ.

- Змонтуйте пилку на основі за допомогою отворів в опорній плиті пилки, як шаблону для розмітки отворів. Знайдіть і відзначте отвори, де повинна бути встановлена стрічкова пила.
- Виконайте останні три кроки з розділу Монтаж пристрою на верстаку, як написано вище.

### МОНТАЖ СТРІКОВОЇ ПИЛКИ

Див. зобр. 5, 7.

- Зніміть D-гайки, шайби і смушковий гвинт на робочому столі пилки.
- Стоячи перед стрічковою пилкою, посуньте стіл пилки за лезом і крізь проріз, штовхнув з правого боку робочого столу пилки вліво.
- Тримавши робочий стіл лівою рукою, потягнувши ручку регулювання кута від рамки пилки, зрівнявши насічку на скобі робочого столу з насічкою на ручці

регулювання кута. Відпустіть ручку.

- Встановіть штифти на рамці в прорізи скоби робочого столу.
- Вставте шайбу на різьблений кінець важеля фіксування столу. Закріпіть робочий стіл пилки до рамки пилки шляхом повороту важеля фіксування столу за годинниковою стрілкою.
- Затягніть D-гайки, шайби і смушковий гвинт до робочого столу пилки.

**ПРИМІТКА:** Смушковий гвинт виходить з-під робочого столу.

### МОНТУВАННЯ РОЗШИРЕННЯ ОПОРИ

Дивіться малюнок 6.

- Вставте трубки розширення опори у отвори опорної плити пилки ззаду.
- Зрівняйте отвори у трубках та отвори у опорній плиті пилки.
- Вставте стопорні болти і затягніть шайбами і шестигранними гайками.

### ВСТАНОВІТЬ РОБОЧИЙ СТІЛ ПИЛКИ ПЕРПЕНДИКУЛЯРНО ДО ЛЕЗА.

Дивіться малюнки 8 - 9.

- Поверніть ручку фіксації проти годинникової стрілки, щоб розблокувати напрямну леза. При повороті ручки фіксації напрямної леза за годинниковою стрілкою, підійміть вузол напрямної леза до упору. Поверніть ручку фіксації за годинниковою стрілкою, щоб затягнути.
- Помістіть малий комбінований кутник на робочому столі поруч із лезом.
- Ослабте важіль фіксування столу і поверніть ручку регулювання кута щоб нахилити робочий стіл вгору або вниз, щоб вирівняти стіл на 90° до леза (0° положення). Знову затягніть важіль фіксування столу.
- Поверніть регульовальний болт, поки болт не торкнеться корпусу пили.
- Перевірте прямий кут робочого столу пилки до леза. Зробіть додаткові налаштування, якщо потрібно.
- Встановіть індикатор зі шкалою на нуль і затягніть гвинт за допомогою хрестоподібної викрутки.

**ПРИМІТКА:** Перед початком будь-якого нового процесу завжди робить тестовий розріз, щоб забезпечити прямий кут леза. Якщо не має прямого кута, то може бути необхідно послабити гвинти під робочим столом, щоб відрегулювати (кутовий проріз повинен бути паралельним до леза пилки). Після налаштування прямого кута, знову затягніть гвинти.





**українська мова (переклад оригінальних інструкцій)**

**НАЛАШТУВАННЯ НАТЯГУ ЛЕЗА**

Див. зобр. 10-11.

- Вимкніть пристрій з електромережі.
- Перед використанням стрічкової пилки, поверніть ручку натягу леза у верхній частині пилки за годинниковою стрілкою, щоб посилити натяг.
- ПРИМІТКА: Регулювання натягу леза може бути зроблено в будь-який час.
- Смикайте задній прямий край леза пилки як гітарну струну при повороті ручки натягу.

Звук стає вище, якщо натяг зростає. Ніколи не збільшуйте натяг леза настільки, щоб повністю стиснути пружину. Якщо пружина повністю стиснута, вона не може виступати в якості амортизатора.

Занадто сильний натяг може привести до пошкодження леза. Товсті заготовки вимагають більш високого натягу; максимальний натяг не потрібний для будь-яких розрізів. Занадто слабкий натяг може привести до того, що лезо буде прослизати на колесах.

**НАЛАШТУВАННЯ ПЕРЕМІЩЕННЯ ЛЕЗА**

Дивіться малюнок 11.

Перш ніж налаштувати переміщення леза, налаштуйте натяг леза належним чином. Переконайтеся, що напрямна леза не торкається леза. Западина між зубами пилки (найглибша частина зубця леза) повинна знаходитися в центрі шини.

**Для налаштування:**

Вимкніть з електромережі. Відкрийте передні кришки, для цього відгвинтити гвинт фіксації кришки. Подивіться положення леза на верхній шині, для цього повільно поверніть вручну верхнє колесо за годинниковою стрілкою. Якщо лезо переміщається від центру шини, переміщення має бути відрегульовано.

**Якщо лезо переміщається вліво або вправо від центру:**

- Поверніть ручку переміщення леза (за годинниковою стрілкою, щоб перемістити лезо вліво, проти годинникової стрілки, щоб перемістити лезо вправо), повертаючи колесо вручну, поки лезо рухається назад і їде по центру шини.
- Перевірте положення леза на нижній шині. Лезо повинно бути повністю на шині (западина між зубцями пилки у центрі). Якщо це не так, відрегулюйте переміщення, доки лезо буде на обох шинах.
- Поверніть верхнє колесо вручну за годинниковою стрілкою на кілька оборотів. Переконайтеся, що лезо залишається у тому ж місці на шині. Відрегулюйте, при необхідності, доки лезо буде переміщуватись належним чином.

- Закрийте передні захисні кришки і затягніть фіксувальний гвинт кришки.
- Підключіть пристрій до електромережі.
- Переконайтеся, що лезо знаходиться по центру шині (крізь просмотрове вікно). Якщо не по центру, повторіть описані вище кроки.

**▲ ПОПЕРЕДЖЕННЯ**

Напрямні леза були встановлені на заводі Ці налаштування є функціональними для деяких режимів. Ми рекомендуємо вам перевірити і зробити налаштування напрямної леза перед першим використанням пилки. Зверніться до розділу "Налаштування опори напрямної леза і опорних підшипників". Ці процедури, описані в розділі НАЛАШТУВАННЯ цієї інструкції з експлуатації.

**ВСТАНОВЛЕННЯ НАПРЯМНОЇ ПЛАНКИ**

- Помістіть напрямну планку з лівого боку робочого столу пилки, за допомогою ручки фіксації, що знаходиться попереду.
- Натисніть вниз ручку фіксації, щоб зафіксувати положення напрямної планки.
- Поверніть ручку фіксації, щоб відрегулювати затяжку хомутів.

**ФУНКЦІОНУВАННЯ**

**▲ ПОПЕРЕДЖЕННЯ**

Не дозволяйте обізнаності про продукт зробити вас небалим. Пам'ятайте, що необережної частки секунди достатньо, щоб завдати серйозної травми.

**▲ ПОПЕРЕДЖЕННЯ**

Завжди надавайте захисні окуляри. Недотримання цієї вимоги може привести до попадання об'єктів в очі, що може спричинити можливі серйозні травми.

**▲ ПОПЕРЕДЖЕННЯ**

Не використовуйте насадки або приладдя не рекомендовані виробником даного продукту. Використання не рекомендованих насадок або приладдя, може призвести до серйозних травм.





## українська мова (переклад оригінальних інструкцій)

### ▲ ПОПЕРЕДЖЕННЯ

Щоб уникнути контакту з лезом, відрегулюйте вузол напружної леза, навіть щоб просто очистити заготовку. Невиконання цієї вимоги може призвести до серйозних травм.

### ▲ ПОПЕРЕДЖЕННЯ

Ніколи не використовуйте пристрій без захисного кожуха леза і не зафіксованих передніх захисних кришок. Це може привести до серйозних травм.

### ОСНОВНІ РЕЖИМИ РОБОТИ СТРІЧКОВОЇ ПИЛКИ

Стрічкова пила використовується насамперед для різання кривих ліній, також може використовуватися для операцій з прямими лініями, таких як поперечне різання, різання під кутом, скошування кромки, складне різання і розпилювання. При використанні стрічкової пилки для різання прямих ліній, користувач може встановити упор за допомогою відповідного розміру шматка дерева, прикріпленого до столу за допомогою "С"-образних хомутів. Пристрій не підходить, щоб робити розрізи не наскрізь або усередині.

Перед тим як почати різати, простежте за роботою пристрою. Якщо ви почуєте надмірну вібрацію або незвичайний шум, негайно припиніть. Вимкніть пристрій та відключіть його від електромережі. Не вмикати знову доки на будувть виявлені і усуненні несправності.

### РІЗАННЯ

- Завжди тримайте заготовку впритул до столу.
- Під час використання подавайте заготовку на лезо без надмірного тиску та обома руками. Не форсуйте роботу; дозволяйте лезу різати.
- Найменший діаметр кола, який може бути відрізаний визначається шириною леза. Лезом з шириною 6,35 мм (1/4 ") можна різати деревину з мінімальним діаметром 38 мм (1-1 / 2").
- Тримайте руки подальше від леза. Не тримайте в руках шматочки настільки малі, що ваші пальці можуть потрапити під захисний кожух леза.
- Уникайте незручних операцій і положень рук, де раптове ковзання може призвести до серйозних травм при контакті з лезом. Ніколи не розміщуйте руки на шляху леза.
- Використовуйте додаткові опори (столи, козли для різання, блоки і т.д.) при різанні великих, маленьких або незручних заготовок.
- Ніколи не використовуйте людину в якості заміни для подовження робочого столу або в якості

додаткової підтримки заготовки, яка довша або ширша, ніж основний робочий стіл пилки.

- При різанні заготовок неправильної форми, плануйте свою роботу таким чином, щоб не заблокувати лезо. Наприклад, шматок неправильної форми повинен лежати на робочому столі пилки. Заготовки не повинні закручуватись, склеюватись, або ковзати під час різання.

Під час різання заготовки у зворотному напрямку, лезо може зав'язнути у пропили (розрізі). Це зазвичай трапляється при зсміщенні пропила тирсою або, коли лезо виходить з напрямних. Якщо це трапилось:

- Вимкніть пристрій з електромережі. Зачекайте, поки пилка повністю зупиниться. Вимкніть пристрій з джерела живлення.
- Відкрийте пропили плоскою викруткою або дерев'яним клином.
- Відкрийте передню захисну кришку і поверніть верхнє колесо рукою під час зворотного ходу заготовки.

### РЕЛЬЄФНІ РОЗРІЗИ

Рельєфні розрізи виконуються, коли слід зробити складну криву (занадто малий радіус для леза). Різати крізь злом на заготовки до кривої зразкової лінії потім обережно витягнути лезо. Кілька рельєфних розрізів повинні бути зроблені для складних кривих перш ніж зробити наступну за зразком лінію, якщо секції відрізають під кутом для "зняття" тиску з леза.

### РІЗАННЯ ПЛАСКОЇ СПІРАЛІ

Для нарізування плоскої спіралі загального типу, дотримуватися конфігурації лінії, натискаючи і повертаючи заготовку одночасно. Не намагайтеся повертати заготовку під час подачі на лезо та не штовхаючи її - це може привести до заклинювання або закрутити лезо.

### ВИДАЛЕННЯ ЗАСТРЯГЛОГО МАТЕРІАЛУ

Ніколи не видаляйте застрягли шматки до повної зупинки леза.

- Вимкніть пристрій з електромережі. Зачекайте, поки пилка повністю зупиниться.
- Від'єднайте пристрій від джерела живлення, перш ніж видаляти застрягли матеріали.

### ЩОБ УНИКНУТИ ТРАВМ

- Переконайтеся, що пилка вирівняна і не хитається. Пилка повинна бути завжди розміщена на твердій рівній поверхні з достатньою кількістю місця для обробки і належної підтримки заготовки.
- Прикрутіть болтами пилку на опорної поверхні для запобігання ковзанню, переміщення або ковзання





## українська мова (переклад оригінальних інструкцій)

під час операцій різання довгих, важких дощок.

- Вимкніть пилку і від'єднайте кабель живлення від джерела живлення перед переміщенням пилки.
- Ніколи не видаляйте застрягли шматки до повної зупинки леза.
- Використовуйте правильний розмір та тип леза відповідно до матеріалу і типу розрізу.
- Переконайтеся, що зубці леза вказують вниз до столу пилки, що напрямні леза, опорні підшипники і натяг леза правильно відрегульовані, що ручка налаштування напрямної леза затянута, і що деталі не мають зазорів.
- Щоб уникнути випадкового контакту з лезом, звести до мінімуму поломку леза, забезпечити максимальний захист леза, завжди налаштовуйте вузол напрямної леза навіть щоб очистити заготовку.
- Використовуйте рекомендовані аксесуари.
- Перед включенням пилки приборіть з робочого столу все за винятком заготовки та необхідних пристроїв для її підтримки.
- Слід належним чином підтримувати круглі матеріали, такі як штирі або трубки, так як вони мають тенденцію котитися під час різання, пошкоджуючи лезо. Щоб уникнути цього, завжди використовуйте "V" блок або притискайте заготовку до кутового упору.
- Перед видаленням вільних шматків зі столу пилки, вимкніть пилу і почекайте, поки всі рухомі частини зупиняться.

### ВИМКАННЯ/ВИМКАННЯ ПРИСТРОЮ.

Дивіться малюнок 12.

- Щоб включити пристрій натисніть "I".
- Щоб вимкнути пристрій натисніть "O".

### ПЕРШ НІЖ ЗАЛИШИТИ ПРИСТРІЙ

Дивіться малюнок 12.

- Вимкніть пристрій з електромережі. Зачекайте, поки пилка повністю зупиниться.
- Вимкніть пристрій з джерела живлення.
- Переконайтеся, що в майстерні на має дітей
- Ослабте натяг стрічкової пилки за допомогою важеля натягу леза Rapidset™, щоб продовжити термін служби леза.
- Закрийте майстерню.

### УВІМКНІТЬ/ ВИМКНІТЬ РОБОЧУ ЛАМПУ.

Дивіться малюнок 13.

- Щоб увімкнути робочу лампу, натисніть "☀".
- Щоб вимкнути робочу лампу, натисніть "O".

### РЕГУЛЮВАННЯ НАХИЛУ СТОЛУ

Дивіться малюнок 14.

- Злегка ослабте ручку фіксації столу.
- Повертайте регулятор кута нахилу робочого столу пилки доки не досягнете необхідного кута.
- За допомогою індикатора зі шкалою, перевірте маркування кута.
- Затягніть ручку фіксації столу, щоб фіксувати стіл надійно на місці.

### ВИКОРИСТАННЯ КУТОВОГО УПОРУ

Дивіться малюнки 15 - 16.

Кутовий упор може бути виставлений на 60° макс. вправо і вліво.

- Відпустіть ручку фіксації на кутовому упорі.
- За допомогою кутового упору у прорізі кутового упору, повертайте упор доки не буде досягнуто необхідний кут за шкалою.
- Затягніть ручку фіксації знову.

### ВСТАНОВЛЕННЯ НАПРЯМНОЇ ПЛАНКИ

Напрямна планка використовується для всіх робіт з розміткою. Ніколи не розмічайте розрізи від руки без надійно зафіксованої на місці напрямної планки.

- Встановіть планку на потрібну ширину розрізу і зафіксуйте її на місці.
- Перед тим як почати розмічати, переконайтеся, що прямна планка паралельна до стрічкової пилки. Коли розмічаєте довгі дошки або великі панелі, завжди використовуйте додаткову опору.
- Тримайте заготовку навпроти напрямної та подавайте її на стрічкову пилку з постійним тиском.

### РЕГУЛЮВАННЯ

#### ▲ ПОПЕРЕДЖЕННЯ

Перед виконанням будь-якого регулювання, переконайтеся, що пристрій відключений від джерела живлення і перемикач знаходиться в положенні ВИМК. Недотримання цього попередження може призвести до серйозних травм.

#### ▲ ПОПЕРЕДЖЕННЯ

Щоб уникнути травмування, налаштуйте потрібний натяг леза, переміщення леза, напрямних леза і опорних підшипників.







## українська мова (переклад оригінальних інструкцій)

### ВСТАНОВЛЕННЯ ТА РЕГУЛЮВАННЯ ЛЕЗА

Дивіться малюнок 17.

- Ослабте та зніміть смушковий гвинт, шайби та D-гайку на робочому столі пилки.
- Відкрийте передню захисну кришку, викрутивши гвинти, що її утримують.
- Поверніть ручку фіксації проти годинникової стрілки, щоб розблокувати напрямну лека. Прокручуючи ручку налаштування напрямної лека (за годинниковою стрілкою піднімає вузол напрямної лека; проти годинникової стрілки опускає його), розмістіть вузол напрямної лека приблизно посередині між робочим столом та корпусом пилки. Затягніть ручку фіксації знову.
- Відкрийте захисний кожух лека, потягнувши за ліву сторону кожуху у напрямку від колеса.
- Звільніть лезо від натягу повністю.
- Обережно зніміть старе лезо.
- Одягнувши рукавички, обережно розмотайте нове лезо на довшню витягнутої руки. Якщо нове лезо було змащене для попередження іржавіння, може бути необхідним протерти його для попередження потраплення оливи на робочі деталі. Обережно протріть у напрямку розміщення зубців лека, таким чином, щоб ганчірка не зіплювалася за зубці лека пилки.

**ПРИМІТКА:** Якщо зубці лека направлені неправильно, необхідно переставити лезо навпаки, щоб зубці лека були направлені всередину. Тримаючи лезо обома руками, повертайте його зубцями всередину.

- Розмістіть лезо таким чином, щоб зубці лека були спрямовані ліворуч від пилки та униз, через нижні напрямні лека та вздовж обох коліс.
- Повільно поверніть верхнє колесо праворуч або за годинниковою стрілкою, щоб розмістити лезо по центру гумових шин.
- Знову підключіть важіль натягу лека RapidSet™ потім відрегулюйте натяг лека; перевірити чи налаштувати переміщення лека.
- Налаштуйте обидві верхню та нижню напрямні та опорні підшипники, як зазначено в цій інструкції з експлуатації.
- Заново прилаштуйте смушковий гвинт, шайби та D-гайку. Надійно затягніть.
- Закрийте захисний кожух лека та передню захисну кришку. Затягніть фіксувальний гвинт кришки.

### НАЛАШТУВАННЯ ВУЗЛА НАПРЯМНОЇ ЛЕКА

Дивіться малюнки 18 - 19.

Для запобігання скручуванню та поломки лека, вузол напрямної лека завжди має бути розміщено приблизно на 3,2 мм (1/8 ") вище заготовки.

- Поверніть ручку фіксації проти годинникової стрілки, щоб розблокувати напрямну лека.
- Використовуйте шматок тої деревини, яку ви збираєтесь різати, як орієнтир, щоб налаштувати висоту вузла напрямної лека. Налаштуйте вузол напрямної лека поворотом ручки напрямної лека.
- Зафікуйте вузол напрямної лека, повернувши ручку фіксатора за годинниковою стрілкою.
- Перед вмиканням стрічкової пилки завжди фікуйте вузол напрямної лека на місці.

### РЕГУЛЮВАННЯ ОПОРИ НАПРЯМНОЇ ЛЕКА ТА ОПОРНИХ ПІДШИПНИКІВ

Дивіться малюнки 20 - 21.

**ПРИМІТКА:** Для регулювання натягу лека та зверніться до процедур "Регулювання натягу лека" та "Переміщення лека", які описано у розділі МОНТАЖ у цієї інструкції з експлуатації.

Верхній та нижній опорні підшипники лека підтримують та направляють лезо пилки під час різання. Якщо встановлене нове лезо, регулювання підшипників та напрямних має бути перевірене.

#### Для регулювання опорних підшипників:

Опорні підшипники підтримують задній край лека під час різання. Лезо не повинно торкатись опорних підшипників під час припинення різання. Важливо, щоб обидва верхній та нижній опорні підшипники були відрегульовані однаково.

- Відкрийте передню захисну кришку та захисний кожух лека.
- За допомогою шестигранного ключа, ослабте верхній та нижній гвинти опорних підшипників та штовхніть верхній та нижній опорні підшипники до задньої частини пилки.
- Переконайтеся, що лезо пилки пересувається правильно, після цього посуňte опорний підшипник вперед доки підшипник буде на відстані 0,4 мм (1/64") від лека. Надійно затягніть гвинт опорного підшипнику.
- Простовхуйте нижній підшипник вперед доки не з'явиться належний проміжок. Надійно затягніть гвинт опорного підшипнику.

#### Для регулювання опори напрямної лека:

- За допомогою шестигранного ключа ослабте опору напрямної лека та стопорні гвинти напрямної лека.
- Вставте верхню опору напрямної лека на вал, поки передній край напрямних торкнеться лека пилки за западиною. Надійно затягніть гвинт.
- Штовхніть праву напрямну до контакту із лезом та відпустіть. Повільно поверніть колесо на один





**українська мова (переклад оригінальних інструкцій)**

повний оберт. Затягніть стопорні гвинти напрямної леза.

- Відрегулюйте ліву напрямну залишивши проміжок 0,4 мм (1/64") між лезом та напрямною (приблизно товщина гральної карти) помістивши гральну карту між лівою напрямною та лезом.
- Натисніть на штифт лівої напрямної так, щоб утримувати гральну карту на місці. Затягніть стопорний гвинт та видаліть гральну карту.
- Поверніть вручну на три оберти, щоб переконатися, що лезо не чіпляється.
- Закрийте захисний кожух леза та передню захисну кришку. Зафіксуйте за допомогою гвинта.

Повторіть ці дії для опори нижньої напрямної леза.

**НАЛАШТУВАННЯ НАПРЯМНОЇ ПЛАНКИ**

- Ослабте ручку фіксатора, повернувши її у напрямку проти годинникової стрілки.
- Розмістіть напрямну планку у необхідному положенні.
- Натисніть вниз ручку фіксації, щоб зафіксувати положення напрямної планки.
- Поверніть ручку фіксації, щоб відрегулювати натяжку хомутів.

**ОБСЛУГОВУВАННЯ**

**⚠ ПОПЕРЕДЖЕННЯ**

При обслуговуванні використовуйте тільки ідентичні запасні частини. Використання будь-яких інших деталей може створити небезпеку або спричинити пошкодження продукту.

**⚠ ПОПЕРЕДЖЕННЯ**

Завжди одягайте захисні окуляри під час роботи із пристроєм. Якщо робота пильна, також носіть захисну маску.

**⚠ ПОПЕРЕДЖЕННЯ**

Перед виконанням будь-якого обслуговування, переконайтеся, що пристрій відключений від джерела живлення і перемикач знаходиться в положенні ВИМК. Недотримання цього попередження може призвести до серйозних травм.

**ЗАГАЛЬНЕ ТЕХНІЧНЕ ОБСЛУГОВУВАННЯ**

Не використовуйте розчинники для очищення пластмасових деталей. Багато пластиків сприйнятливі

до ушкоджень від різних типів технічних розчинників та можуть бути пошкоджені при їх використанні. Використовуйте чисті ганчірки для видалення бруду, пилу, масла, мастила і т.д.

**⚠ ПОПЕРЕДЖЕННЯ**

Ніколи не дозволяйте гальмівній рідині, бензину, продуктам на основі нафти, і проникаючим маслам вступати в контакт з пластиковими деталями. Хімічні речовини можуть пошкодити, послабити або знищити пластик, який може привести до серйозної травми.

- Тримайте пристрій в чистоті.
- Регулярно видаляйте залишки деревини зсередини.
- Не давайте частинам матеріалу накопичуватись на робочому столі, напрямних леза та опорних підшипниках. Очищуйте їх використовуючи гуму та усувайте смолу.
- Використовуйте тонкий шар автомобільного воску для робочого столу, таким чином буде легко пересувати деревину під час різання.

**Змащування**

Всі підшипники в продукт змащені достатньою кількістю високоякісного мастила для всього терміну служби продукту при нормальних умовах експлуатації. Таким чином, додаткове змащення не потрібно.

**ШИНИ**

**Очищення шин:**

- Дерев'яний пек та пил від пилки накопичується на шинах та мають бути видалені за допомогою м'якої дротяної щітки або шматка деревини. **Не використовуйте гострий ніж або розчинники будь-якого типу.**

**Заміна шин:**

- Відкрийте передню захисну кришку та видаліть лезо пилки. Див. розділ "Встановлення та регулювання леза".
- Обережно зніміть зношену шину з колеса.
- Розмістіть нову шину навколо колеса.
- Замініть лезо пилки та закрийте передню захисну кришку.

**ЩІТКА**

Дивіться малюнок 22.

Всередині корпусу пилки поруч із колесом розміщено щітку. Вона призначена для захисту шини та колеса



## українська мова (переклад оригінальних інструкцій)

від пилу пилки. Щітка потребує регулювання або заміни, коли зношується.

- Зніміть гвинт і шайбу, потім витягніть щітку.
- Розмістіть нову щітку у канавці.
- Встановіть за допомогою шайби та гвинта.

### ТРАНСПОРТУВАННЯ ТА ЗБЕРІГАННЯ

Дивіться малюнки 23 - 24.

- При транспортуванні, відключіть кабель живлення та опустіть захисний кожух леза та демонтуйте пристрій. Зберігайте штовхач на зовнішньому боці верхньої частини корпусу. Піднімайте пристрій за верхню частину корпусу, як зображено на рисунку. Зберігайте продукт в надійному місці, недоступному для дітей.
- Очистіть продукт, використовуючи щітку та пилосос перед зберіганням.

### ЗАХИСТ НАВКОЛИШНЬОГО СЕРЕДОВИЩА.



Переробляйте сировину замість утилізації в якості відходів. Машини, обладнання та упаковка повинні бути відсортовані для дружньої для навколишнього середовища утилізації.

### СИМВОЛ



Попередження безпеки



CE відповідність



Будь ласка, уважно прочитайте інструкцію перед запуском продукту.



Носіть захист для очей



Носіть захист слуху



НЕБЕЗПЕКА! Гостре лезо.



Блокувати



Розблокувати



Максимальна глибина різання



Максимальна ширина різання



Максимальний кут різання



Робоча швидкість



Розмір ножа



Перед обслуговуванням необхідно від'єднати прилад від мережі.



Відходи електротехнічної продукції не слід викидати разом із побутовими відходами. Будь ласка, переробляйте там, де наявне устаткування. Перевірте з вашим місцевим органом влади або продавцем для консультацій з приводу переробки.



## українська мова (переклад оригінальних інструкцій)

### ПОШУК НЕСПРАВНОСТЕЙ

Проблема	Можлива причина	РІШЕННЯ
Двигун не працює.	<ol style="list-style-type: none"> <li>1. Проблеми із перемикачем ON/OFF або дротом живлення.</li> <li>2. Несправності двигуна.</li> <li>3. Защемлення леза.</li> </ol>	<ol style="list-style-type: none"> <li>1. Зношені частини мають бути замінені перш ніж роботу із пристроєм буде продовжено.</li> <li>2. Не намагайтесь ремонтувати. Ремонтуйте інструмент за допомогою кваліфікованого фахівця.</li> <li>3. Видаліть застряглий матеріал</li> </ol>
Лезо припиняє переміщуватися приблизно у центрі верхнього колеса.	<ol style="list-style-type: none"> <li>1. Переміщувати тільки належним чином.</li> </ol>	<ol style="list-style-type: none"> <li>1. Регулювання переміщення, дивиться розділ РЕГУЛЮВАННЯ, "Переміщення леза".</li> <li>2. В разі пошкодження виріб має бути негайно замінений кваліфікованим ремонтником.</li> </ol>
Стрічкова пила уповільнюється під час різання.	<ol style="list-style-type: none"> <li>1. Різати з занадто малим радіусом.</li> <li>2. Тупе лезо.</li> </ol>	<ol style="list-style-type: none"> <li>1. Припиніть подачу матеріалу і повільно верніть ріжучий матеріал доки швидкість не зросте.</li> <li>2. Замініть лезо.</li> </ol>
Поломка леза.	<ol style="list-style-type: none"> <li>1. Занадто сильний натяг леза.</li> <li>2. Перекручення леза, спричинене різанням матеріалу дуже малих радіусів або дуже швидким повертанням матеріалу під час різання.</li> <li>3. Опорні підшипники мають ушкодження або не повертаються.</li> </ol>	<ol style="list-style-type: none"> <li>1. Відрегулюйте натяг. Дивиться розділ РЕГУЛЮВАННЯ, "Регулювання натягу леза".</li> <li>2. Додержуйтесь правильної техніки різання. Дивиться розділ Режими роботи.</li> <li>3. Замініть опорні підшипники.</li> </ol>
пристрій гучний, коли використовується.	<ol style="list-style-type: none"> <li>1. Занадто сильний натяг леза.</li> <li>2. Напрявні леза або підшипники торкаються леза.</li> </ol>	<ol style="list-style-type: none"> <li>1. Відрегулюйте натяг. Дивиться розділ РЕГУЛЮВАННЯ, "Регулювання натягу леза".</li> <li>2. Відрегулюйте верхню та нижню напрямні та підшипники. Дивиться розділ РЕГУЛЮВАННЯ, "Регулювання опорних підшипників та опори напрямної леза".</li> </ol>
Лезо не робить прямих розрізів.	<ol style="list-style-type: none"> <li>1. Напрявні леза та підшипники не відрегульовано належним чином.</li> <li>2. Зношене або пошкожене лезо.</li> </ol>	<ol style="list-style-type: none"> <li>1. Відрегулюйте верхню та нижню напрямні та підшипники. Дивиться розділ РЕГУЛЮВАННЯ, "Регулювання опорних підшипників та опори напрямної леза".</li> <li>2. Замініть лезо.</li> </ol>



**українська мова (переклад оригінальних інструкцій)**

Напрямні леза не тримаються у обраному положенні.	1. Гвинти прямої леза ослаблені.	1. Затягніть стопорні гвинти прямої леза.
Двигун працює але лезо не обертається	1. Натяг леза неналежний. 2. Ремінь приводу несправний.	1. Використовуйте важіль натягу леза для налаштування натягу. 2. В разі пошкодження виріб має бути негайно замінений кваліфікованим ремонтником.



English	Français	Deutsch	Español	Italiano	Nederlands
Product specifications	Caractéristiques de l'appareil	Produkt-Spezifikationen	Especificaciones del producto	Specifiche prodotto	Productspecificaties
Band saw	Scie à bande	Bandsäge	Sierra de cinta	Sega a nastro	Bandzaag
Model	Modèle	Modell	Modelo	Modello	Model
Input voltage	Tension d'entrée	Eingangsspannung	Tensión de entrada	Tensione di ingresso	Ingangsspanning
Power	Puissance	Leistung	Potencia	Alimentazione	Aan/Uit
Motor Type	Type de moteur	Art des Motors	Tipo de motor	Tipo di motore	Motortype
Induction	Induction	Induktion	Inducción	Induzione	Inductie
No load speed (m/sec)	Vitesse à vide (m/sec)	Leerlaufdrehzahl (m/s)	Sin velocidad de carga (m/sec)	Nessuna velocità di carico (m/sec)	Snelheid zonder belasting (m/sec)
Blade width	Largeur de lame	Blattbreite	Ancho de la hoja	Larghezza lama	Bladbreedte
Blade length	Longueur de la lame	Klingenlänge	Longitud de la cuchilla	Lunghezza lama	Lengte van het zaagmes
Frame to blade capacity	Capacité du cadre par rapport à la lame	Rahmen/Blatt-Leistung	Capacidad del marco a la hoja	Capacità da telaio a lama	Capaciteit van frame tot blad
Cutting thickness capacity	Capacité d'épaisseur de découpe	Schnittleistung	Capacidad de grosor de corte	Spessore di taglio	Capaciteit snijdikte
Table size	Dimensions de la lame	Tischgröße	Dimensiones de la mesa	Dimensioni tavolo	Tafelafmeting
Dust port	Buse d'aspiration	Absaugdüse	Boquilla de aspiración	Ugello di aspirazione	Afzuigmondstuk
Work-light power	Puissance de la lampe de travail	Arbeitslichtleistung	Potencia de la luz de trabajo	Potenza lampada	Vermogen werklamp
Net weight	Poids net	Nettogewicht	Peso neto	Peso netto	Netto gewicht
Measured values determined according to EN61029 A-weighted sound pressure level	Valeurs mesurées obtenues selon EN61029 Niveau de pression sonore pondéré-A	Gemäß EN61029 gemessene Werte A-bewerteter Schalldruckpegel	Valores medidos determinados de acuerdo con EN61029 Nivel de presión acústica ponderada en A	Valori misurati determinati in accordo con lo standard EN61029 Livello di pressione sonora pesato A	Valeurs mesurées obtenues selon EN61029 A-gewogen geluidsdrukniveau
Uncertainty K	Incertitude K	Unsicherheit K	Incertidumbre K	Incertezza K	Onzekerheid K
Measured values determined according to EN61029 A-weighted sound power level	Valeurs mesurées obtenues selon EN61029 Niveau de puissance sonore pondéré-A	Gemäß EN61029 gemessene Werte A-bewerteter Schalleistungspegel	Valores medidos determinados de acuerdo con EN61029 Nivel de potencia acústica ponderada en A	Valori misurati determinati in accordo con lo standard EN61029 Livello di potenza sonora pesato A	Valeurs mesurées obtenues selon EN61029 A-gewogen geluidsniveau
Uncertainty K	Incertitude K	Unsicherheit K	Incertidumbre K	Incertezza K	Onzekerheid K
Replacement parts	Pièces de rechange	Ersatzteile	Piezas de repuesto	Ricambi	Vervangende onderdelen
Band saw blade 6TPI	Lame de scie à ruban 6TPI	Bandsägeblatt 6TPI	Hoja de la sierra de cinta 6TPI	Lama sega a nastro 6TPI	Bandzaagblad 6TPI
Band saw blade 14TPI	Lame de scie à ruban 14TPI	Bandsägeblatt 14TPI	Hoja de la sierra de cinta 14TPI	Lama sega a nastro 14TPI	Bandzaagblad 14TPI

Português	Dansk	Svenska	Suomi	Norsk	Русский	
Especificações do produto	Produktspecifikationer	Produktspecifikationer	Tuotteen tekniset tiedot	Produktspesifikasjoner	Характеристики изделия	
Serra de fita	Båndsav	Bandsåg	Vannesaha	Båndsgag	Ленточная пила	
Modelo	Model	Modell	Malli	Modell	Модель	RBS904
Voltagem de entrada	Indgangsspænding	Ingångsspänning	Syöttöjännite	Inngangsspenning	Входное напряжение	230-240 V, 50 Hz.
Potência	Effekt	Ström	Teho	Effekt	Мощность	350 W
Tipo de Motor	Motor type	Motor typ	Moottorin tyyppi	Motor type	Тип двигателя	
Indução	Induktion	Induktion	Induktio	Induksjon	Индукционный	
Velocidade sem carga (m/s)	Ingen belastningshastighed (m/sek)	Hastighet utan last (m/sek)	Kuormittamaton nopeus (m/s)	Ubelastet hastighet (m/sek)	Скорость без нагрузки (м/сек)	11
Largura da lâmina	Klingebredde	Sågbladsbredd	Terän leveys	Bladbredde	Ширина полотна	6,35 mm
Comprimento da lâmina	Klingens længde	Bladlängd	Terän pituus	Bladlengde	Длина полотна	1572 mm
Capacidade da armação à lâmina	Ramme til klinge kapacitet	Upptagskapacitet, ram till sågblad	Kapasiteetti kehikosta terään	Ramme til blad-kapasitet	Расстояние от корпуса до полотна	230 mm
Capacidade da espessura de corte	Skæretykkelseskapacitet	Sågkapacitet, tjocklek	Paksuuden sahauskapasiteetti	Kuttetykkelseskapasitet	Ширина пропила	80 mm
Dimensões da bancada	Bordstørrelse	Bordsstorlek	Pöydän koko	Bordstørrelse	Размер стола	305 mm x 305 mm
Bico de aspiração	Sugedyse	Sugmunestykke	Imusuutin	Sponuttaksstuss	Пыль Порт	53 mm
Potência da luz de trabalho	Effekt for arbejdslys	Effekt arbetslampa	Työvalon teho	Arbejdslyseffekt	Мощность подсветки	15 W, 230 V
Peso líquido	Nettovægt	Nettovikt	Kokonaispaino	Nettovekt	Вес нетто	19,6 kg
Valores medidos calculados de acordo com EN61029 Nível de pressão sonora ponderada A	Målte værdier bestemmes i henhold til EN61029 A-vægtet lydtryksniveau	Värden uppmätta enligt EN61029 A-vägd ljudtryksnivå	Mitatut arvot määritetty EN61029 -standardin mukaan A-painotettu äänenpainetaso	Målte verdier i samsvar med EN61029 A-vektet lydtryknivå	Измеренные значения определены в соответствии с EN61029 Уровень A-взвешенного звукового давления	$L_p = 84,0$ dB(A)
Incerteza K	Usikkerhed K	Osäkerhet K	Epätarkkuus K	Usikkerhet K	Разброс K	3 dB
Valores medidos calculados de acordo com EN61029 Nível de potência sonora ponderada A	Målte værdier bestemmes i henhold til EN61029 A-vægtet lydeffektniveau	Värden uppmätta enligt EN61029 A-vägd lydeffektsnivå	Mitatut arvot määritetty EN61029 -standardin mukaan A-painotettu äänenteho	Målte verdier i samsvar med EN61029 A-vektet lydeffektnivå	Измеренные значения определены в соответствии с EN61029 Уровень A-взвешенной звуковой мощности	$L_w = 89,5$ dB(A)
Incerteza K	Usikkerhed K	Osäkerhet K	Epätarkkuus K	Usikkerhet K	Разброс K	3 dB
Peças sobresselentes	Reserve dele	Reservdelar	Varaosat	Reservedeler	Запасные части	
Lâmina da serra de fita 6TPI	Båndsavklinge 6TPI	Bandsågblad 6TPI	Vannesahan terä 6TPI	Båndsgagblad 6TPI	Полотно для ленточной пилы 6TPI	5132003123
Lâmina da serra de fita 14TPI	Båndsavklinge 14TPI	Bandsågblad 14TPI	Vannesahan terä 14TPI	Båndsgagblad 14TPI	Полотно для ленточной пилы 14TPI	5132003114

Polski	Čeština	Magyar	Română	Latviski	Lietuviškai
Parametry techniczne	Technické údaje produktu	Termék műszaki adatai	Specificațiile produsului	Produkta specifikācijas	Gaminio techninės savybės
Pilarka taśmowa	Pásová pila	Szalagfűrész	Fierăstrău cu bandă	Lentzāģis	Juostinis pjūklas
Model	Model	Tipus	Model	Modelis	Modelis
Napięcie wejściowe	Vstupní napětí	Bemeneti feszültség	Tensiune de intrare	Ieejas spriegums	Iėjimo įtampa
Moc	Výkon	Teljesítmény	Alimentare	Strāva	Galia
Typ silnika	Typ motoru	Motor típusa	Tip motor	Motora veids	Variklio tipas
Indukcyjny	Indukce	Indukciós	Inducție	Indukcijas	Indukcinis
Prędkość bez obciążenia (m/s)	Rychlost bez zatížení (m/sec)	Úresjárati sebesség (m/mp)	Viteză în gol (m/sec)	Ātrums bez slodzes (m/sec)	Greitis be apkrovos (m/s)
Szerokość brzośczołu	Šířka nože	Pengeszélesség	4Lātjme lamā	Asmens platumš	Mentės plotis
Długość brzośczołu	Délka čepele	Fűrészlap hossza	Lungime lamă	Asmens garums	Geležtės ilgis
Odległość rama-brzośczołu	Kapacita mezi rámem a nožem	Tartókeret-penge kapacitás	Distanță cadru - lamă	Attālums no rāmja līdz asmenim	Apimtis nuo rėmo iki mentės
Maks. grubość ciętego elementu	Max. tloušťka řezu	Vágásvastagság kapacitás	Grosime de tăiere maximă	Griešanas maksimālais biezums	Pjovimo storio apimtis
Wymiary stołu	Rozměr stolu	Asztal mérete	Māreme masā	Galdā lielums	Stalo dydis:
Przyłącze do odciagu trocin	Napojení na odsávání prachu	Porezlívó csomk	Cap de aspirare	Putekļu nopūtējs	Dulkių anga
Moc oświetlenia roboczego	Výkon pracovního světla	Munkalámpa teljesítménye	Putere lumină de lucru	Darba apgaismojuma slēdzis	Darbinio žibinto galingumas
Masa netto	Čistá hmotnost	Nettó tömeg	Greutate netă	Svars neto	Neto svoris
Zmierzone wartości określone wg EN61029 A-ważony poziom ciśnienia hałasu	Naměřené hodnoty zjištěné dle EN61029 Hladina akustického tlaku vážená funkcí A	A mért értékek meghatározása az EN61029 szerint történt A-súlyozott hangnyomásszint	Valori măsurate determinate în conformitate cu EN61029 Nivel de presiune acustică ponderată A	Izmērtās vērtības saskaņā ar EN61029 A-īlmeņa skaņas spiediena līmenis	Išmatuotiosis vertės nustatytos pagal EN61029 A svertinis garso slėgio lygis
Niepewność pomiaru K	Nejistota K	Bizonytalanság K	Incertitudine K	Kļūdas vērtība K	Nepastovumas K
Wartości sumaryczne drgań (suma wektora trójosiowego) określone zgodnie z normą EN61029 Poziom drgań	Celkové hodnoty vibrací (Trojsojý vektorový součet) určené v souladu s EN61029 Úroveň emisí vibrací	A vibráció teljes értékei (háromtengelyű vektorösszeg), az EN61029 szerint meghatározva. Vibráció-kibocsátás értéke	Valonile totale ale vibrațiilor (sumă vector triaxială) au fost determinate în conformitate cu EN61029 Valoarea emisiilor de vibrații	Vibrācijas kopējās vērtības (triksiālā vektoru summa) ir noteiktas atbilstoši EN61029 Vibrāciju emisijas vērtība	Bendros vibracijos vertės nustatomos pagal EN61029 Vibracijos emisijos vertė
Niepewność pomiaru K	Nejistota K	Bizonytalanság K	Incertitudine K	Kļūdas vērtība K	Nepastovumas K
Części zamienne	Náhradní díly	Cserealkatrészek	Piese de schimb	Mainās detaļas	Atsarginės dalys
Brzośczołu do pilarki taśmowej 6TPI	Nůž pásový pily 6TPI	Szalagfűrész penge 6TPI	Fierăstrău cu bandă 6TPI	Lentzāģa asmens 6TPI	Juostinio pjūklo mentė 6 TPI
Brzośczołu do pilarki taśmowej 14TPI	Nůž pásový pily 14TPI	Szalagfűrész penge 14TPI	Fierăstrău cu bandă 14TPI	Lentzāģa asmens 14TPI	Juostinio pjūklo mentė 14 TPI



Eesti	Hrvatski	Slovensko	Slovenčina	Ελληνικά	Türkçe	українська мова	
Toote tehnilised andmed	Specifikacije proizvoda	Specifikacije izdelka	Špecifikácia	Προδιαγραφές Προϊόντος	Ürün Özellikleri	Технічні характеристики продукту	
Lintsaaug	Tračna pila	Tračna žaga	Pásová píla	Πριονοκορδέλα	Şerit testere	Стричкова пила	
Mudeli tähis	Model	Model	Model	Μοντέλο	Model	Модель	RBS904
Sisendpinge	Ulazni napon	Vstupné napätie	Vhodna napetost	Τάση εισόδου	Giriş voltajı	Вхідна напруга	230-240 V, 50 Hz.
Võimsus	Napajanje	Napajanje	Napájanie	Ισχύς	Güç	Потужність	350 W
Mootori tüüp	Vrsta motora	Typ motora	Tip motorja	Τύπος μοτέρ	Motor Tipi	Тип двигуна	
induktsioon	Induktsijski	Indukčný	Indukcijski	Επαγωγής	Endüksiyon	Індукція	
Nullkoormuse kiirus (m/sek)	Brzina bez opterećenja (m/s)	Hitrost brez obremenitve (m/s)	Volnobežná rýchlosť (m/s)	Ταχύτητα άνευ φορτίου (μ/δευτ.)	Yüksüz hız (m/sn)	Число оборотів холостого ходу (м / сек)	11
Saeldindi laius	Širina noža	Širina lista	Širka pilového pásu	Πλάτος λεπίδας	Biçak genişliği	Ширина леза	6,35 mm
Saelehe pikkus	Duljina noža pile	Dolžina rezila	Dĺžka pilového listu	Μήκος λεπίδας	Biçak uzunluğu	Довжина леза	1572 mm
Saagimiskaugus	Kapacitet od okvira do noža	Razmerje zmogljivosti ogrodjel/ist	Maximálny rozmer od rámu po pilový pás	Πλάισιο προς ικανότητα κοπής	Çerçeve biçak arası kapasite	Граничні значення потужності леза	230 mm
Saagimiskõrgus	Kapacitet debljine rezanja	Zmogljivost debeline reza	Maximálna hrúbka rezania	Ικανότητα κοπής ως προς πάχος	Kesme kalınlığı kapasitesi	Макс. ширина пропила	80 mm
Töölaua mõõt	Tablica veličina	Velikost mize	Velkost stola	Μέγεθος πάγκου	Tabla ebadı	Розмір столу	305 mm x 305 mm
Tolmuotsak	Prašina Luka	Priljuček vrečke za zbiranje prahu	Kanal na prach	Στάσιο αναρρόφησης	Emme borusu	Отвір для пили	53 mm
Töökohavalgusti võimsus	Radno svjetlo	Moć delovne luči	Výkon pracovného svetla	Ισχύς φωτισμού εργασίας	Çalışma ışığı gücü	Потужність робочої лампи	15 W, 230 V
Netomass	Neto težina	Neto teža	Netto hmotnosť	Καθαρό βάρος	Net ağırlık	Вага нетто	19,6 kg
Mööteväärtused on kindlaks määratud vastavalt standardile EN61029	Mjerene vrijednosti određene su prema EN61029	Izmerjene vrednosti določene v skladu s standardom EN61029	Namerane hodnoty určene podľa EN61029	Οι υπολογισμένες τιμές καθορίστηκαν σύμφωνα με το EN61029	EN61029 ile uyumlu olarak belirlenen ölçülen değerler	Вимірні значення шуму визначаються відповідно до EN 61029:	$L_p = 84,0 \text{ dB(A)}$
A-kaalutud helirõhu tase	Ponderirana razina tlaka zvuka	A-izmerjena raven zvočnega tlaka	Vážená A hladina akustického tlaku	A-σταθμισμένο επίπεδο πίεσης ήχου	A ağırlıklı ses basınç seviyesi	A-зв'язаний рівень звукового тиску	
Möötemääramatus K	Neodredenost K	Nedoloč. K	Odhýlka K	Αβεβαιότητα K	Belirsizlik K	Невизначеність K	3 dB
Vibratsiooni üldväärtus (kolme suuna vektorsumma) on kindlaks määratud vastavalt standarditele EN61029	Ukupne vrijednosti vibracija (troosovinski vektorski zbroj) određuje se u skladu s EN61029	Efektivna vrednost vibracij (triaksialna vektorska vsota) določena v skladu z EN61029	Celkové hodnoty vibrácií (priestorový vektorový súčet) stanovené podľa noriem EN61029	Οι συνολικές τιμές κραδασμών (τριοξονικό διανυσματικό διάνυσμα) καθορίστηκαν σύμφωνα με τα EN61029	Titreşim toplam değeri (üçkesenli vektör toplami) EN61029 standartlarına göre belirlenmiştir.	Вимірні значення шуму визначаються відповідно до EN 61029:	$L_w = 89,5 \text{ dB(A)}$
Vibratsiooniemisiooni väärtus	Vrijednost emisija vibracije	Vrednost emisij vibracij	Hodnota emisii vibrácií	Τιμή εκπομπών κραδασμών	Titreşim emisyon değeri	A-зв'язаний рівень звукової потужності	
Möötemääramatus K	Neodredenost K	Nedoloč. K	Odhýlka K	Αβεβαιότητα K	Belirsizlik K	Невизначеність K	3 dB
Varuosad	Zamjenski dijelovi	Vymeniteľné diely	Nadomestni deli	Ανταλλακτικά	Yedek parçalar	Запасні частини	
Lintsaelint 6TPI	Nož tračne pile 6TPI	List tračne žage 6TPI	Pilový pás pre pásovú pílu 6TPI	Λεπίδα πριονοκορδέλας 6TPI	Şerit testere biçacağı 6TPI	Стричкова пила 6TPI	5132003123
Lintsaelint 14TPI	Nož tračne pile 14TPI	List tračne žage 14TPI	Pilový pás pre pásovú pílu 14TPI	Λεπίδα πριονοκορδέλας 14TPI	Şerit testere biçacağı 14TPI	Стричкова пила 14TPI	5132003114

## EN RYOBI® WARRANTY APPLICATION CONDITIONS

In addition to any statutory rights resulting from the purchase, this product is covered by a warranty as stated below.

1. The warranty period is 24 months for consumers and commences on the date when the product was purchased. This date has to be documented by an invoice or other proof of purchase. The product is designed and dedicated to consumer and private use only. So there is no warranty provided in case of professional or commercial use.
2. There is a possibility to extend for a part of the range of power tools (AC/DC) the warranty period over the period described above using the registration on the [www.ryobitools.eu](http://www.ryobitools.eu) website. The eligibility of the tools for extension of the warranty period is clearly displayed in stores and / or on packaging / and contained within the product documentation. The end user needs to register his/her newly-acquired tools online within 30 days from the date of purchase. The end user may register for the extended warranty in his country of residence if listed on the online registration form where this option is valid. Furthermore, end users must give their consent to the storage of the data that are required to be entered online, and they have to accept the terms and conditions. The registration confirmation receipt, which is sent out by e-mail, and the original invoice showing the date of purchase will serve as proof of the extended warranty.
3. The warranty covers all defects of the product during the warranty period due to defaults in workmanship or material at the purchase date. The warranty is limited to repair and/or replacement and does not include any other obligations including but not limited to incidental or consequential damages. The warranty is not valid if the product has been misused, used contrary to the instruction manual, or being incorrectly connected. This warranty does not apply to:
  - any damage to the product that is the result of improper maintenance
  - any product that has been altered or modified
  - any product where original identification (trade mark, serial number) markings have been defaced, altered or removed
  - any damage caused by non-observance of the instruction manual
  - any non CE product
  - any product that has been attempted to be repaired by a non-qualified professional or without prior authorization by Technronic Industries
  - any product connected to improper power supply (amps, voltage, frequency)
  - any product used with inappropriate fuel mixture (fuel, oil, percentage of oil)
  - any damage caused by external influences (chemical, physical, shocks) or foreign substances
  - normal wear and tear spare parts
  - inappropriate use, overloading of the tool
  - use of non-approved accessories or parts
  - Power tool accessories provided with the tool or purchased separately. Such exclusions including but not limited to screw driver bits, drill bits, abrasive discs, sand paper and blades, lateral guide
  - Components (parts and accessories) subject to natural wear and tear, including but not limited to Service & Maintenance Kits, carbon brushes, bearings, chuck, SDS drill bit attachment or reception, power cord, auxiliary handle, transport carry case, sanding plate, dust bag, dust exhaust tube, felt washers, impact wrench pins & springs, etc.
4. For servicing, the product must be sent or presented to a RYOBI authorized service station listed for each country in the following list of service station addresses. In some countries your local RYOBI dealer undertakes to send the product to the RYOBI service organisation. When sending a product to a RYOBI service station, the product should be safely packed without any dangerous contents such as petrol, marked with sender's address and accompanied by a short description of the fault.
5. A repair / replacement under this warranty is free of charge. It does not constitute an extension or a new start of the warranty period. Exchanged parts or tools become our property. In some countries delivery charges or postage will have to be paid by the sender. Your statutory rights arising from the purchase of the tool remain unaffected.
6. This warranty is valid in the European Community, Switzerland, Iceland, Norway, Liechtenstein, Turkey and Russia. Outside these areas, please contact your authorized RYOBI dealer to determine if another warranty applies.

### AUTHORISED SERVICE CENTRE

To find an authorised service centre near you, visit <http://uk.ryobitools.eu/header/service-and-support/service-agents>.

## FR RYOBI® CONDITIONS D'APPLICATION DE LA GARANTIE

En plus des droits légaux au titre de l'achat, le produit est couvert par la garantie indiquée ci-dessous.

En plus des droits statutaires liés à l'achat, ce produit est couvert par une garantie telle que décrite ci-dessous.

1. La durée de la garantie accordée au consommateur est de 24 mois à partir de la date d'achat. Cette date doit être authentifiée par une facture ou toute autre preuve d'achat. Le produit a été conçu en vue d'une utilisation strictement privée. Aucune garantie ne s'applique donc en cas d'utilisation professionnelle ou commerciale.
2. Il existe pour une partie outils électriques (AC/DC), une possibilité d'étendre la période de garantie au-delà de la période précédemment décrite en utilisant le formulaire d'enregistrement présent sur le site Internet [www.ryobitools.eu](http://www.ryobitools.eu). L'éligibilité d'un outil est clairement affichée dans les points de vente et/ou sur l'emballage et la documentation. L'utilisateur final doit enregistrer son/ses outil(s) nouvellement acheté(s) en ligne dans les 30 jours qui suivent la date d'achat. L'utilisateur a la possibilité de s'enregistrer pour l'extension de garantie dans son pays de résidence si celui-ci est listé dans le formulaire d'enregistrement en ligne où cette option est valide. L'utilisateur final doit donner son consentement pour l'enregistrement des données requises pour accéder au site et doit accepter les termes et conditions. La confirmation d'enregistrement, envoyée par courrier électronique, ainsi que la facture originale mentionnant la date d'achat serviront de preuve de l'extension de garantie.
3. La garantie couvre pendant la période de garantie les défauts des produits liés à la fabrication et aux matériaux à la date d'achat. La garantie est limitée à la réparation et/ou au remplacement et n'inclut aucune autre obligation, tel que, mais sans s'y limiter, les dommages accessoires ou indirects. La garantie est non valable en cas de mauvaise utilisation du produit, d'utilisation contraire aux instructions du mode d'emploi, ou en cas de branchement incorrect. Cette garantie ne s'applique pas pour :
  - tout dommage au produit résultant d'un mauvais entretien
  - tout produit ayant été altéré ou modifié
  - tout produit dont les marquages originaux d'identification (marque, numéro de série) ont été dégradés, altérés ou retirés
  - tout dommage causé par le non-respect des instructions du mode d'emploi
  - tout produit non CE
  - tout produit ayant subi une tentative de réparation par du personnel non qualifié ou sans autorisation préalable de Technronic Industries
  - tout produit raccordé à une alimentation secteur non conforme (ampérage, voltage, fréquence)
  - tout produit utilisé avec un mélange inapproprié (essence, huile, pourcentage d'huile)
  - tout dommage causé par des influences extérieures (chimiques, physiques, chocs) ou par des substances étrangères
  - l'usure normale des pièces consommables
  - une utilisation inappropriée, une surcharge de l'outil
  - l'utilisation de pièces ou accessoires non agréés
  - accessoires de l'outil électrique fournis avec l'outil ou achetés séparément. Cela comprend notamment les forets de tournevis, les forets de perceuse, les disques abrasifs, le papier de verre et les lames, le guide latéral
  - Les composants (pièces et accessoires) sujets à l'usure naturelle, ceci incluant notamment, les kits de service et de maintenance, les brosses carbonées, les paliers, les mandrins, les fixations ou logements de foret SDS, les cordons d'alimentation, les leviers auxiliaires, les mallettes de transport, les plaques de ponçage, les sacs collecteurs de poussière, le tube d'extraction de poussière, les rondelles en feutre, les broches de clé à choc et les ressorts etc.
4. Si le produit doit être réparé, envoyez-le à un service après-vente agréé RYOBI dont vous trouverez ci-dessous la liste pour chaque pays. Dans certains pays, votre revendeur RYOBI se chargera d'envoyer le produit à un centre de réparation RYOBI. Lorsque vous envoyez un produit à un service après-vente RYOBI, celui-ci doit être correctement emballé, sans contenir aucun produit dangereux tel que de l'essence, et vous devez indiquer votre adresse ainsi qu'une courte description du problème.
5. Une réparation / un remplacement sous garantie est gratuit(e). Ceci ne constituera pas une extension de garantie ni un nouveau départ de la période de garantie. Les pièces ou les outils remplacés deviennent notre propriété. Dans certains pays, les frais de port devront être assumés par l'expéditeur. Vos droits statutaires restent inchangés.
6. Cette garantie est valable au sein de l'Europe, de la Suisse, de l'Islande, de la Norvège, du Liechtenstein, de la Turquie, de la Russie. En dehors de ces zones, veuillez contacter votre distributeur agréé RYOBI pour déterminer si une autre garantie s'applique.

### SERVICE APRÈS-VENTE AGRÉÉ

Pour trouver le service après-vente agréé le plus proche, rendez-vous sur <http://fr.ryobitools.eu/header/service-and-support/service-agents>.

## DE RYOBI® GARANTIEBEDINGUNGEN

Zusätzlich zu den obligatorischen Rechten aus dem Kauf gilt für dieses Produkt die nachstehend aufgeführte Garantie.

- Der Garantiezeitraum beträgt für Verbraucher 24 Monate und beginnt mit dem Datum des Kaufs. Dieses Datum muss durch eine Rechnung oder einen anderen Kaufbeleg dokumentiert werden. Dieses Produkt wurde ausschließlich zur privaten Nutzung durch Verbraucher entwickelt. Für den Fall einer professionellen bzw. kommerziellen Nutzung besteht daher keine Garantie.
- Es besteht die Möglichkeit, für einen Teil des Sortiments der Elektrogeräte (AC/DC) den Garantiezeitraum über den oben genannten Zeitraum hinaus zu verlängern, indem der Verbraucher die Registrierung auf der Website [www.ryobitools.eu](http://www.ryobitools.eu) durchführt. Die Berechtigung der Werkzeuge für die Garantieverlängerung ist deutlich im Geschäft und/oder auf der Verpackung beschrieben und in der Produktdokumentation erwähnt. Der Verbraucher muss das neu erworbene Gerät online innerhalb von 30 Tagen ab dem Kaufdatum registrieren. Der Verbraucher kann das Gerät zwecks Garantieverlängerung in seinem Residenzland registrieren, wenn dieses Land auf dem Online-Registrierungsformular aufgeführt ist und die Option gültig ist. Darüber hinaus muss der Verbraucher seine Zustimmung zur Speicherung der Daten geben, die online eingegeben werden müssen, und er muss die allgemeinen Geschäftsbedingungen akzeptieren. Die Bestätigung der Registrierung, die per E-Mail versandt wird, und die Originalrechnung mit dem Kaufdatum gelten als Beleg für die Garantieverlängerung.
- Die Garantie deckt alle Defekte des Geräts während des Garantiezeitraums ab, die auf zum Zeitpunkt des Kaufs bestehende Verarbeitungs- oder Materialfehler zurückzuführen sind. Die Garantie beschränkt sich auf Reparatur und/oder Ersatz und beinhaltet keine anderen Verpflichtungen, einschließlich, aber nicht begrenzt auf Schadensersatz für Folge- oder Nebenschäden. Die Garantie gilt nicht, wenn das Gerät fehlerhaft eingesetzt wurde, gegensätzlich zur Bedienungsanleitung eingesetzt wurde oder falsch angeschlossen wurde. Die Garantie gilt nicht für Folgendes:
  - Schäden am Gerät, die auf unkorrekte Wartung zurückzuführen sind
  - Geräte, an denen Veränderungen vorgenommen wurden
  - Produkte, bei denen die ursprüngliche Identifizierung (Handelsmarke, Seriennummer) unleserlich gemacht, verändert oder entfernt wurde
  - Schäden durch Nichtbeachtung der Bedienungsanleitung
  - nicht-CE-zertifizierte Geräte
  - Geräte, an denen durch nicht-qualifizierte Personen oder ohne vorherige Genehmigung von Technicon Industries Reparaturversuche vorgenommen wurden
  - Geräte, die an unkorrekte Energiequellen (Ampere, Volt, Frequenz) angeschlossen wurden
  - Geräte, die mit einer fehlerhaften Treibstoffmischung (Treibstoff, Öl, Ölanteil) betrieben wurden
  - Schäden durch äußere Einflüsse (chemisch, physisch, Stöße) oder Fremdstoffe
  - normaler Verschleiß von Ersatzteilen
  - unangemessene Nutzung, Überlastung des Geräts
  - Nutzung nicht genehmigter Zubehörteile oder Ersatzteile
  - mit dem Gerät gelieferte oder separat erworbene Zubehörteile. Dieser Ausschluss beinhaltet, ist aber nicht beschränkt auf Schraubendreher-Bits, Bohreinsätze, Schleifscheiben, Sandpapier und Klingen, Seitenführungen
  - Komponenten (Ersatzteile und Zubehörteile), die natürlichem Verschleiß unterliegen, einschließlich, aber nicht begrenzt auf Service- und Wartungssets, Kohlebürsten, Lager, Spanmvorrichtungen, SDS-Bohrbit-Anschlüsse oder Aufnahmevorrichtungen, Stromkabel, Hilfsgriffe, Transportkoffer, Schleifplatten, Staubbeutel, Staubabführungen, Filzunterlegscheiben, Bolzen und Federn von Schlagschraubern usw.
- Zum Service muss das Gerät zu einer von RYOBI autorisierten Servicestation gebracht oder dorthin gesendet werden. Die Servicestationen für die einzelnen Länder sind in der folgenden Liste aufgeführt. In einigen Ländern sendet Ihr RYOBI-Händler vor Ort das Gerät an das RYOBI-Serviceunternehmen. Beim Einsenden an die RYOBI-Servicestation sollte das Gerät sicher verpackt sein, ohne gefährliche Inhalte wie Benzin, und es sollte mit der Adresse des Absenders und einer kurzen Beschreibung des Fehlers versehen sein.
- Eine Reparatur bzw. ein Ersatz gemäß dieser Garantie ist kostenlos. Hieraus ergibt sich weder eine Garantieverlängerung noch der Beginn eines neuen Garantiezeitraums. Die ausgetauschten Ersatzteile oder Werkzeuge gehen in unser Eigentum über. In einigen Ländern müssen die Zustellgebühren oder die Versandkosten vom Absender gezahlt werden. Ihre gesetzlichen Rechte aus dem Kauf des Geräts bleiben hiervon unberührt.
- Diese Garantie gilt in der Europäischen Union, der Schweiz, Island, Norwegen, Liechtenstein, der Türkei und Russland. Bitte wenden Sie sich außerhalb dieser Gebiete an Ihren autorisierten RYOBI-Händler, um festzustellen, ob eine andere Garantie gilt.

### AUTORISIERTER KUNDENDIENST

Besuchen Sie <http://de.ryobitools.eu/header/service-and-support/service-agents>, um einen autorisierten Kundendienst in Ihrer Nähe zu finden.

## ES CONDICIONES DE APLICACIÓN DE LA GARANTÍA DE RYOBI®

Además de cualquier derecho legal derivado de la compra, este producto está cubierto por una garantía que se indica a continuación.

- El periodo de garantía es de 24 meses para consumidores y comienza en la fecha en que se comprara el producto. Dicha fecha debe documentarse con una factura u otro comprobante de compra. El producto está diseñado y concebido únicamente para el uso privado del consumidor. Por lo tanto, no se ofrece garantía en caso de uso profesional o comercial.
- Existe la posibilidad de ampliar el periodo de garantía respecto a una parte de la gama de herramientas eléctricas (CA/CC) durante el periodo descrito más arriba y mediante el registro en el sitio web [www.ryobitools.eu](http://www.ryobitools.eu). La elegibilidad de las herramientas para que se amplie el periodo de garantía se muestra claramente en las tiendas o en el embalaje y está incluida en la documentación del producto. El usuario final tiene que registrar en línea sus herramientas recientemente adquiridas en un plazo de 30 días a partir de la fecha de compra. El usuario final podrá registrarse para obtener la garantía ampliada en su país de residencia si este aparece en la lista del formulario de registro en línea cuando esta opción sea válida. Además, los usuarios finales deberán dar su consentimiento al almacenamiento de los datos necesarios para el acceso en línea y tienen que aceptar los términos y condiciones. El recibo de confirmación de registro, que se envía por correo electrónico, y la factura original que muestra la fecha de compra servirán como comprobante para la garantía ampliada.
- La garantía cubre todos los defectos del producto durante el periodo de garantía debido a fallos de mano de obra o material en la fecha de compra. La garantía se limita a la reparación o sustitución y no incluye ninguna otra obligación como, por ejemplo, daños accidentales o consecuentes. La garantía no es válida si se ha usado mal el producto, se ha usado contraviniendo el manual de instrucciones o se ha conectado de forma incorrecta. Esta garantía no es aplicable a:
  - ningún daño en el producto que sea consecuencia de un mantenimiento inadecuado
  - ningún producto que haya sido alterado o modificado
  - ningún producto en el que los marcados de identificación originales (marca comercial, número de serie) se hayan borrado, modificado o eliminado
  - ningún daño provocado por no seguir el manual de instrucciones
  - ningún producto que no sea CE
  - ningún producto que haya sufrido un intento de reparación por parte de un profesional no cualificado o sin la autorización previa de Technicon Industries.
  - ningún producto conectado a un suministro eléctrico inadecuado (amperios, voltaje, frecuencia)
  - ningún producto usado con una mezcla de combustible inadecuada (combustible, aceite, porcentaje de aceite)
  - ningún daño causado por influencias externas (químicas, físicas, impactos) o sustancias extrañas
  - desgaste normal de piezas de repuesto
  - uso inadecuado, sobrecarga de la herramienta
  - uso de accesorios o piezas no aprobados
  - Accesorios de herramientas eléctricas proporcionados con la herramienta o comprados por separado. Tales exclusiones incluyen, entre otros, brocas de destornillador, brocas de taladro, discos abrasivos, papel de lija y cuchillas, y guías laterales
  - Componentes (piezas y accesorios) sujetos a un desgaste natural, que incluyen, entre otros, equipos de servicio y mantenimiento, escobillas de carbono, cojinetes, pinzas, accesorio o recepción de broca de taladro SDS, cable eléctrico, manillar auxiliar, bolsa de transporte, hoja lijadora, bolsa de polvo, tubo de escape de polvo, disco de fieltro, pasadores y resortes de llave de impacto, etc.
- Para su mantenimiento, el producto debe enviarse o presentarse a una estación de servicio de RYOBI autorizada que figure en la siguiente lista de direcciones de estaciones de servicio por países. En algunos países, su distribuidor RYOBI local se responsabiliza de enviar el producto a la compañía de servicio de RYOBI. Cuando se envíe un producto a una estación de servicio de RYOBI, este debe estar empaquetado de forma segura sin contenidos peligrosos como gasolina, marcado con la dirección del remitente y acompañado de una breve descripción del fallo.
- Una reparación / sustitución con esta garantía es gratuita. No constituye una ampliación ni un nuevo comienzo del periodo de garantía. Las piezas o herramientas intercambiadas pasan a ser de nuestra propiedad. En algunos países, los gastos de envío o correo tendrá que pagarlos el remitente. Sus derechos legales derivados de esta compra de la herramienta no se verán afectados.
- Esta garantía es válida en la Unión Europea, Suiza, Islandia, Noruega, Liechtenstein, Turquía y Rusia. Fuera de estas zonas, póngase en contacto con su distribuidor de RYOBI para determinar si es aplicable otra garantía.

### SERVICIO TÉCNICO AUTORIZADO

Para encontrar el servicio técnico autorizado más cercano, visite <http://uk.ryobitools.eu/header/service-and-support/service-agents>.

## IT CONDIZIONI DI VALIDITÀ DELLA GARANZIA RYOBI®

In aggiunta ai diritti di legge risultanti dall'acquisto, il prodotto è coperto dalla garanzia sotto descritta.

1. Il periodo di garanzia è di 24 mesi per i consumatori, a decorrere dalla data di acquisto del prodotto. La data deve essere documentata da una fattura o altra prova d'acquisto. Il prodotto è progettato e destinato solo all'utilizzo privato dei consumatori. Pertanto non viene fornita alcuna garanzia in caso di uso professionale o commerciale.
2. Per una serie di utensili elettrici (CA/CC) è possibile prolungare il periodo di garanzia oltre quello descritto, registrandosi sul sito [www.ryobitools.eu](http://www.ryobitools.eu). Gli utensili per i quali è possibile prolungare il periodo di garanzia sono chiaramente indicati nei negozi e/o sulle confezioni e nella documentazione dei prodotti. L'utente deve registrare online l'utensile acquistato entro 30 giorni dalla data di acquisto. L'utente può registrarsi per la garanzia prolungata nel proprio paese di residenza, se questo è elencato nel modulo di registrazione online dove questa opzione sia valida. Inoltre gli utenti devono fornire il proprio consenso alla conservazione dei dati da immettere online e devono accettare le condizioni generali. La conferma di registrazione, inviata tramite e-mail, e la fattura originale indicante la data di acquisto, costituiranno la prova della garanzia prolungata.
3. La garanzia copre tutti i difetti del prodotto durante il periodo di garanzia, risultati da manodopera o materiali alla data di acquisto. La garanzia è limitata alla riparazione e/o sostituzione e non include alcun altro obbligo quali, a mero titolo esemplificativo, i danni incidentali o consequenziali. La garanzia non è valida se il prodotto è stato usato scorrettamente, in modo contrario al manuale di istruzioni o se è stato collegato in modo errato. La garanzia non è valida per:
  - qualsiasi danno al prodotto dovuto a manutenzione errata;
  - qualsiasi prodotto che sia stato alterato o modificato;
  - qualsiasi prodotto le cui marcature di identificazione originali (marchi di fabbrica, numero di serie) siano state cancellate, alterate o rimosse;
  - qualsiasi danno causato dalla non osservanza delle istruzioni del manuale;
  - qualsiasi prodotto privo di omologazione CE;
  - qualsiasi prodotto che sia stato sottoposto a un tentativo di riparazione da parte di un professionista non qualificato oppure senza la previa autorizzazione di Technronic Industries;
  - qualsiasi prodotto collegato a un'alimentazione errata (per amper, tensione, frequenza);
  - qualsiasi prodotto usato con una miscela di carburante errata (carburante, olio, percentuale di olio);
  - qualsiasi danno causato da influenze esterne (chimiche, fisiche, urti) o sostanze estranee;
  - la normale usura delle parti di ricambio;
  - uso inappropriato, sovraccarico dell'utensile;
  - uso di accessori o parti non omologate;
  - accessori per utensili elettrici forniti con l'utensile o acquistati separatamente. Questa esclusione comprende, a mero titolo esemplificativo, punte per cacciaviti, punte per trapani, dischi abrasivi, carta vetrata, lame e guide laterali;
  - componenti (parti e accessori) soggetti alla normale usura compresi, a mero titolo esemplificativo, kit di servizio e manutenzione, spazzole al carbonio, cuscinetti, mandrini, attacchi per punte a vite autoporfante, cavi di alimentazione, maniglie ausiliarie, custodie di trasporto, piastre di levigatura, sacchetti per la polvere, tubi di scarico della polvere, rondelle di feltro, perni e molle per avvitatori ecc.
4. Per la manutenzione il prodotto dev'essere spedito o portato presso uno dei centri assistenza autorizzati RYOBI elencati per ogni paese nel seguente elenco di indirizzi dei centri. In alcuni paesi il rivenditore locale RYOBI si incarica di inviare il prodotto all'organizzazione di assistenza RYOBI. Quando si invia un prodotto a un centro assistenza RYOBI, imballarlo in modo sicuro senza contenuti pericolosi come la benzina, apporre l'indirizzo del mittente e accompagnarlo da una breve descrizione del guasto.
5. La riparazione/sostituzione ai sensi della presente garanzia è gratuita. Non costituisce un prolungamento o un nuovo inizio del periodo di garanzia. Le parti o gli utensili scambiati diventano di nostra proprietà. In alcuni paesi i costi di consegna o di spedizione postale devono essere pagati dal mittente. I diritti di legge derivanti dall'acquisto dell'utensile rimangono inalterati.
6. La presente garanzia è valida in Unione Europea, Svizzera, Islanda, Norvegia, Liechtenstein, Turchia e Russia. Al di fuori di tali aree contattare il rivenditore autorizzato RYOBI per sapere se è valida un'altra garanzia.

### CENTRO SERVIZI AUTORIZZATO

Per individuare il più vicino centro servizi autorizzato, visitare il sito <http://uk.ryobitools.eu/header/service-and-support/service-agents>.

## NL RYOBI® GARANTIEVOORWAARDEN

Naast de wettelijke rechten die voortvloeien uit de aankoop, wordt dit product gedekt door een garantie, zoals hieronder staat vermeld.

1. De garantietermijn voor consumenten bedraagt 24 maanden en gaat in op de datum waarop het product is gekocht. Deze datum moet worden gedocumenteerd met een factuur of een ander aankoopbewijs. Het product is uitsluitend ontworpen en bedoeld voor persoonlijk gebruik door consumenten. Er wordt dus geen garantie gegeven voor professioneel of commercieel gebruik.
2. Voor een deel van ons aanbod van elektrische gereedschappen (AC/DC) is het mogelijk om de garantietermijn te verlengen over de boven beschreven termijn, met behulp van de website [www.ryobitools.eu](http://www.ryobitools.eu). De gereedschappen die in aanmerking komen voor de verlenging van de garantietermijn wordt duidelijk weergegeven in winkels en/of verpakkingen en staat beschreven in de productdocumentatie. De eindgebruiker moet zijn/haar nieuw gekochte gereedschappen binnen 30 dagen na aankoop online registreren. De eindgebruiker kan zich registreren voor de verlengde garantietermijn als zijn woonland staat vermeld op het online registratieformulier waar deze optie geldig is. Bovendien moeten eindgebruikers toestemming geven voor de opslag van de gegevens die online ingevoerd worden en moeten ze de algemene voorwaarden accepteren. Het ontvangstbewijs van de registratie, dat per e-mail wordt verzonden en de oorspronkelijke factuur met de aankoopdatum vormt het bewijs van de verlengde garantietermijn.
3. De garantie dekt tijdens de garantietermijn alle gebreken van het product vanwege defecten in vakmanschap of materiaal op de aankoopdatum. De garantie is beperkt tot reparatie en/of vervanging en bevat geen andere verplichtingen, waaronder maar niet beperkt tot incidentele of gevolgschade. De garantie is niet geldig als het product is misbruikt, in strijd met de gebruiksaanwijzing wordt gebruikt of onjuist is aangesloten. Deze garantie geldt niet voor:
  - alle schade aan het product die het gevolg is van onjuist onderhoud
  - elk product dat is veranderd of aangepast
  - elk product waar de oorspronkelijke identificatie (handelsmerk, serienummer) is beschadigd, gewijzigd of verwijderd
  - alle schade die is veroorzaakt door het niet opvolgen van de gebruiksaanwijzing
  - elk niet-CE-product
  - elk product waar een poging tot reparatie is gedaan door een niet-erkende professional of zonder voorafgaande toestemming door Technronic Industries.
  - elk product dat is verbonden met een verkeerde voeding (amperage, spanning, frequentie)
  - elk product dat wordt gebruikt met een verkeerd brandstofmengsel (brandstof, olie, oliegehalte)
  - alle schade die is veroorzaakt door externe invloeden (chemisch, fysisch, schokken) of vreemde stoffen
  - normale slijtage van reserveonderdelen
  - ongepast gebruik, overbelasting van het gereedschap
  - gebruik van niet-goedgekeurde accessoires of onderdelen
  - gereedschapsaccessoires die bij het gereedschap worden geleverd of afzonderlijk zijn aangeschaft. Zulke uitzonderingen bevatten, maar niet beperkt tot schroevendraaibits, boorbits, slijpschijven, schuurpapier en zagen, laterale geleiding
  - Componenten (onderdelen en accessoires) die onderhevig zijn aan natuurlijke slijtage, waaronder maar niet beperkt tot service- en onderhoudssets, koolstofborstels, lagers, boorkoppen, SDS boortbitbevestigingen of ontvangers, strosmoeren, hulpgrepen, transporttassen, schuurplateaus, stofzakken, stofafvoerbuisen, viltgrenen, pennen en veren van slagmoersleutels, etc.
4. Voor onderhoud moet het product worden verzonden of gebracht naar een erkend servicestation van RYOBI die voor elk land staat vermeld in de volgende lijst met adressen voor servicestations. In sommige landen zal uw lokale RYOBI-dealer het product verzenden naar de RYOBI-serviceorganisatie. Wanneer u het product naar een servicestation van RYOBI verzendt, moet het product veilig worden verpakt zonder enige gevaarlijke inhoud, zoals benzine, met het adres van de afzender en vergezeld van een korte beschrijving van het defect.
5. Een reparatie/vervanging die onder deze garantie valt is gratis. Het vormt geen verlenging of een nieuwe start van de garantietermijn. Vervisselde onderdelen of gereedschappen worden ons eigendom. In sommige landen moeten de verzendkosten door de afzender worden betaald. Uw wettelijke rechten die voortvloeien uit de aankoop van het gereedschap blijven onaangetaast.
6. Deze garantie is geldig in de Europese Gemeenschap, Zwitserland, IJsland, Noorwegen, Liechtenstein, Turkije en Rusland. Buiten deze gebieden moet u contact opnemen met uw erkende RYOBI-dealer om vast te stellen of er een andere garantie van toepassing is.

### GEAUTORISEERD ONDERHOUDSCENTRUM

Om een geautoriseerd onderhoudscentrum in uw buurt te vinden, surf u naar <http://uk.ryobitools.eu/header/service-and-support/service-agents>.

## **(PT)** CONDIÇÕES DE APLICAÇÃO DA GARANTIA RYOBI®

Para além de quaisquer direitos previstos por lei resultantes da compra, este produto está coberto por uma garantia conforme descrição abaixo.

1. O período da garantia é de 24 meses para consumidores particulares e inicia-se na data de compra do produto. Esta data tem de ser documentada por uma factura ou por outra prova de compra. O produto foi concebido para a destina-se apenas a consumidores particulares e uso privado. Assim, não é dada garantia em caso de utilização por profissionais ou uso comercial.
2. Para uma parte da gama de ferramentas eléctricas (AC/DC) existe a possibilidade de prolongamento do período da garantia para além do período descrito acima, mediante registo no Web site [www.ryobitools.eu](http://www.ryobitools.eu). A elegibilidade das ferramentas para prolongamento do período da garantia é claramente visível nas lojas e/ou nas embalagens e está contida na documentação do produto. O utilizador final tem de fazer o registo online das suas ferramentas recém-adquiridas no prazo de 30 dias após a data de compra. O utilizador final pode fazer o registo para prolongamento da garantia no seu país de residência, desde que esteja listado no formulário de registo online e para os casos em que esta opção seja válida. Para além disso, os utilizadores finais têm de autorizar o armazenamento dos dados cujo preenchimento lhes for solicitado online e têm de aceitar os termos e as condições. O recibo de confirmação do registo é enviado por e-mail e, em conjunto com a factura original ostentando a data de compra, servirá de prova do prolongamento da garantia.
3. A garantia cobre todos os defeitos do produto durante o período da garantia devidos a defeitos de fabrico ou de material à data da compra. A garantia está limitada à reparação e/ou substituição e não inclui quaisquer outras obrigações, incluindo mas não se limitando a, perdas complementares ou indirectas. A garantia não é válida se o produto tiver sido utilizado incorrectamente, utilização de forma contrária ao Manual de Instruções ou se as respectivas ligações tiverem sido feitas incorrectamente. Esta garantia não se aplica ao seguinte:
  - quaisquer danos ao produto que sejam resultado de manutenção incorrecta
  - qualquer produto que tenha sido alterado ou modificado
  - qualquer produto cujas marcações de identificação de origem (marca comercial, número de série) tiverem sido apagadas, alteradas ou retiradas
  - quaisquer danos causados pelo incumprimento do Manual de Instruções
  - qualquer produto que não seja da Comunidade Europeia
  - qualquer produto ao qual tenha sido feita, ou tentada fazer, uma reparação por outra pessoa que não um profissional habilitado ou sem autorização prévia da Techtronic Industries.
  - qualquer produto ligado a uma fonte de alimentação eléctrica incorrecta (Amperes, Voltagem e Frequência)
  - qualquer produto utilizado com uma mistura de combustível incorrecta (combustível, óleo, percentagem de óleo)
  - qualquer dano causado por influências externas (químicas, físicas, impactos) ou substâncias estranhas
  - desgaste e degradação normal de sobresselentes
  - utilização incorrecta, sobrecarga da ferramenta
  - utilização de acessórios ou peças não aprovados
  - acessórios para ferramentas eléctricas fornecidos com a ferramenta ou comprados em separado. Estas exclusões incluem mas não se limitam a, pontas de aparafusadora, brocas, discos abrasivos, papel de lixa e lâminas, guia lateral
  - Componentes (peças e acessórios) sujeitos a desgaste e degradação natural, incluindo mas não se limitando a, Kits de Assistência e Manutenção, escovas de carbono, rolamentos, bucha, acessórios ou recepções de brocas SDS, cabos eléctricos, pegas auxiliares, estojos de transporte, placas de lixagem, sacos de poeiras, tubos de saída de poeiras, anilhas de filtro, pinos e molas da aparafusadora de impacto, etc.
4. Para assistência, o produto tem de ser enviado para, ou apresentado em, um posto de assistência autorizado RYOBI, conforme listado para cada país na lista de moradas de postos de assistência seguinte. Nalguns países, o seu concessionário RYOBI local encarrega-se de enviar o produto para a organização de assistência RYOBI. Quando enviar um produto para um posto de assistência RYOBI, o produto deve ser embalado de forma segura, sem conter nenhuns conteúdos perigosos (por exemplo, gasolina), marcado com o endereço do remetente e acompanhado por uma breve descrição da avaria.
5. Uma reparação/substituição ao abrigo desta garantia é gratuita. Não constitui um prolongamento a, nem um novo início de, o período da garantia. As peças ou ferramentas substituídas tornam-se propriedade nossa. Nalguns países, o remetente terá de pagar os custos de entrega ou a remessa postal. Os seus direitos previstos por lei resultantes da compra da ferramenta mantêm-se inalterados
6. Esta garantia é válida na Comunidade Europeia, Suíça, Islândia, Noruega, Liechtenstein, Turquia e Rússia. Fora destas áreas, entre em contacto com o seu concessionário autorizado RYOBI para determinar se existe outra garantia aplicável.

### **CENTRO DE ASSISTÊNCIA AUTORIZADO**

Para encontrar um centro de assistência autorizado próximo de si, visite <http://uk.ryobitools.eu/header/service-and-support/service-agents>.

## **(DA)** RYOBI® BETINGELSER FOR GARANTI

Udover lovbestemte rettigheder, som resulterer af købet, er dette produkt dækket af en garanti, som anført herunder.

1. Garantiperioden er 24 måneder for forbrugere og begynder på den dato, som produktet blev købt. Denne dato skal dokumenteres af en faktura eller andet bevis for køb. Produktet er udelukkende designet og dedikeret til forbrugere og privat brug. Så der ydes ingen garanti i tilfælde af professionel eller kommerciel brug.
2. Der er en mulighed for at forlænge garantiperioden for en del af udvalget af elværktøj (AC/DC), hen over den ovenfor beskrevne periode vha. registrering på hjemmesiden [www.ryobitools.eu](http://www.ryobitools.eu). Berettigelse af værktøjet til forlængelse af garantiperioden er tydeligt vist i butikken og/eller på emballage og indeholdt i produktokumentationen. Slutbrugeren skal registrere hans/hendes nyligt indkøbte værktøj online indenfor 30 dage efter købsdatoen. Slutbrugeren kan registrere sig for den forlængede garanti i sit land, hvis han/hun er opført på den online registreringsformular, hvor denne mulighed er gyldig. Derudover skal slutbrugere give deres samtykke til at opbevare data, som er påkrævet til indtaste online, og de er nødt til at acceptere vilkår og betingelser. Registreringsbekræftelseskvitteringen, som sendes ud på e-mail, og den originale faktura, som viser købsdatoen, vil fungere som bevis for den forlængede garanti.
3. Garantien dækker alle defekter, som et produkt måtte have i løbet af garantiperioden, og som skyldes fejl i håndværk eller materiale på købsdatoen. Garantien er begrænset til reparation og/eller udskitning og inkluderer ikke andre forpligtelser, inklusiv men ikke begrænset til tilfældige skader eller følgeskader. Garantien er ugyldig, hvis produktet er blevet misbrugt, brugt uden at overholde vejledningen, eller det er blevet forkert tilslettet. Denne garanti gælder ikke:
  - Beskadigelse af produktet, som er et resultat af uegnet vedligeholdelse
  - Et produkt der er blevet ændret eller modificeret
  - Et produkt hvor de originale identifikationsmærkninger (varemærke, serienummer) er blevet ødelagt, ændret eller fjernet
  - Enhver beskadigelse forårsaget af manglende overholdelse af vejledningen
  - Ethvert CE-produkt
  - Ethvert produkt som er blevet forårsaget af en ukvalificeret professionel eller uden tidligere autorisation af Techtronic Industries.
  - Ethvert produkt som er tilslettet uegnet strømforsyning (ampere, spænding, frekvens)
  - Ethvert produkt som bruges med uegnet brændstofblandning (brændstof, olie, procentdel olie)
  - Enhver skade forårsaget af ekstern påvirkning (kemisk, fysisk, chok) eller fremmedlegemer
  - Normal slid på reservedele
  - Uegnet brug, overbelastning af værktøjet
  - Brug af ikke-godkendt tilbehør eller dele
  - Elværktøjstilbehør som leveres med værktøjet eller købes separat. Sådanne udtagelser inkluderer men er ikke begrænset til skruetrækkerbites, borebits, silbeskiver, sandpapir og klinger, sidesstyr
  - Komponenter (dele og tilbehør) som er udsat for naturlig slid og ældning, inklusiv men ikke begrænset til Service- og vedligeholdelsessæt, kulbørster, lejer, bøsninger, påsætning eller modtagelse af SDS-borbits, strømledning, hjælpehåndtag, transporttaske, sandplade, støvpose, støvdudstødningslange, filtskiver, nåle og fjedre slagngøle etc.
4. For eftersyn skal produktet sendes til eller præsenteres for en RYOBI- autoriseret servicestation, som er opelistet for hvert land i den følgende liste over servicestationsadresser. I nogle lande påtager din lokale RYOBI-forhandler sig ansvaret for at sende produktet til RYOBI-serviceorganisationen. Når et produkt sendes til en RYOBI-servicestation, skal det pakkes sikkert ind uden noget farligt indhold som benzin, mærkes med afsenderens adresse og med en kort beskrivelse af fejlen.
5. En reparation/erstatning under denne garanti er gratis. Den udgør ikke en forlængelse eller en ny start på garantiperioden. Udvekslede dele eller værktøjer bliver vores ejendom. I nogle lande skal leveringsafgifter eller porto betales af afsenderen. Dine lovbestemte rettigheder i forbindelse med købet forbliver uanfægtede
6. Denne garanti gælder i EU, Schweiz, Island, Norge, Liechtenstein, Tyrkiet og Rusland. Udenfor disse områder bedes du kontakte din autoriserede RYOBI-forhandler for at afgøre, om en anden garanti gælder.

### **AUTORISEREDE SERVICE/ÆRKSTEDER**

Find nærmeste autoriserede serviceværksted på <http://dk.ryobitools.eu/header/service-and-support/service-agents>.

## SV RYOBI® ANVÄNDNINGSVILLKOR FÖR GARANTI

Förutom eventuella lagstadgade rättigheter som uppstår genom köpet, täcks den här produkten av en garanti som anges nedan.

1. Garantiperioden är 24 månader för konsumenter och börjar gälla från det datum då produkten köptes. Detta datum måste dokumenteras på en faktura eller annat köpbevis. Produkten är utformad och avsedd för konsumenter och privat bruk. Därmed tillhandahålls ingen garanti vid yrkesmässigt eller kommersiellt bruk.
2. Det finns möjlighet att förlänga garantiperioden för en del av utbudet för elverktyg (AC/DC) under den period som anges ovan genom att använda registreringen på webbplatsen [www.ryobitools.eu](http://www.ryobitools.eu). De verktyg som är berättigade till en förlängning av garantiperioden visas tydligt i butiker och/eller på förpackningen/och anges i produktdokumentationen. Slut användaren behöver registrera hans/hennes nyförvärvade verktyg online inom 30 dagar från köpdatumet. Slut användaren kan registrera sig för den förlängda garantin i det land där han/hon bor om landet finns angivet i registreringsformuläret online och där detta alternativ är giltigt. Dessutom måste slut användaren ge sitt medgivande till lagring av data vilket krävs vid registrering online samt acceptera villkoren. Bekräftelsekvittot för registreringen som skickas ut via e-post och originalfakturan som visar köpdatumet kommer att gälla som bevis för den förlängda garantin.
3. Garantin täcker alla produktdefekter under garantiperioden som beror på buster i utförande eller material vid köpdatumet. Garantin är begränsad gällande reparation och/eller utbyte och inkluderar inte några skyldigheter inklusive men inte begränsat till oförutsedda skador eller följskador. Garantin är inte giltig om produkten har missbrukats, använts i strid med bruksanvisningen eller inte anslutits på rätt sätt. Denna garanti täcker inte:
  - eventuella skador på produkten som uppstått till följd av felaktigt underhåll
  - produkter som har ändrats eller modifierats
  - produkter där ursprungliga identifieringsmärkningar (varumärke, serienummer) har målats över, ändrats eller tagits bort
  - eventuella skador som uppstått till följd av att bruksanvisningen inte efterföljts
  - alla icke CE-produkter
  - eventuella produkter som har försökts repareras av en icke-kvalificerad yrkesman eller utan föregående medgivande från Technronic Industries.
  - eventuella produkter som anslutits till felaktig strömförsörjning (ampere, volt, frekvens)
  - eventuella produkter som använts med olämplig bränsleblandning (bränsle, olja, oljeprocent)
  - eventuella skador som uppstått till följd av yttre påverkan (kemisk, fysisk, stötar) eller främmande ämnen
  - normalt slitage av reservdelar
  - olämplig användning, överbelastning av verktyget
  - användningen av icke-godkända tillbehör eller delar
  - tillbehör till elverktyg som medföljde verktyget eller köpts separat. Sådana underlag inkluderar men är inte begränsat till skruvmejselbit, borbitt, slipskivor, sandpapper, blad och sidoskena
  - Komponenter (delar och tillbehör) är föremål för naturlig slitage, inklusive men inte begränsat till service- och underhållsatsar, kolborstar, kullager, chuck, tillbehör eller tillhörande SDS-borbitt, strömsladd, hjälphandtag, transportöråska, slipplatta, dampplåta, dammtvblåsrör, filterbrick, stift och fjädrar till mutterdragare osv.
4. Vid service måste produkten skickas eller uppvisas för en RYOBI- auktoriserad servicestation som står angiven för varje land i följande adresslista över servicestationer. I vissa länder tar din lokala RYOBI- återförsäljare på sig ansvaret att skicka produkten till RYOBI- serviceorganisationen. När en produkt skickas till en RYOBI- servicestation, ska produkten paketeras säkert utan något farligt innehåll såsom bensin, markeras med avsändarens adress samt en kort beskrivning av felet.
5. En reparation/ett utbyte under denna garanti är kostnadsfri. Det utgör inte en förlängning eller förnyelse av garantiperioden. Utbyta delar eller verktyg blir vår egendom. I vissa länder måste leveranskostnader eller porto betalas av avsändaren. Dina lagstadgade rättigheter som härrör från köpet av verktyget förblir opåverkade
6. Denna garanti är giltig i Europeiska gemenskapen: Schweiz, Island, Norge, Liechtenstein, Turkiet och Ryssland. Utanför dessa länder, kontakta din auktoriserade RYOBI-återförsäljare för att avgöra om en annan garanti gäller.

### AUKTORISERAT SERVICECENTER

Du hittar närmaste auktoriserade servicecenter genom att gå till <http://uk.ryobitools.eu/header/service-and-support/service-agents>.

## FI RYOBI®-TAKUUN SOVELTAMISEHDOT

Tällä tuotteella on oston luomien lakisääteisten oikeuksien ohella alia mainittu mukainen takuu.

1. Takuun kesto on kuluttajille 24 kuukautta ja takuuaika alkaa tuotteen ostohetkestä. Tämän päivämäärän tulee lukea laskussa tai muussa ostotositteessa. Tuote on suunniteltu ja tarkoitettu vain kuluttajien ja yksityiseen käyttöön. Takuu ei siis kata ammatti- eikä kaupallista käyttöä.
2. Joidenkin sähkötyökalujen (AC/DC) takuun kesto on mahdollista laajentaa yllä mainittua kestoa pidemmäksi verkkoystävällisen [www.ryobitools.eu](http://www.ryobitools.eu) rekisteröinnin kautta. Työkalujen kelpoisuus takuuajaksi laajennukseen näkyy selkeästi myymälöissä ja/tai pakkauksissa ja/tai tämä tieto sisältyy tuotedokumentaationa. Loppukäyttäjän täytyy lisäksi hyväksyä tietojen tallennus, jotta heidän täytyy antaa online-tilassa sekä ehdot. Rekisteröinnin vahvistuskuitti, joka lähetetään sähköpostitse, ja alkuperäinen ostopäivämäärän ilmaiseva lasku toimivat laajennettua takuuta tositteina.
3. Takuu kattaa kaikki tuotteeseen takuuaikana tulevat vikat, joiden aiheuttajina ovat tuotteessa ostopäivänä olleet valmistus- tai materiaaliavut. Takuu on rajoitettu korjaukseen ja/tai vaihtoon eikä se sisällä mitään muita palveluita mukaan lukien satunnais- ja seuranaisvahinkoja, mutta rajoittamatta niihin. Takuu ei päde, jos tuotetta on käytetty väärin, käyttöohjeen vastaisesti tai jos se on liitetty virheellisesti. Tämä takuu ei kata:
  - virheellisestä huollosta johtuvia vaurioita
  - muunnettua tai muutettua tuotetta
  - tuotetta, jonka alkuperäiset tunnistemerkinnät (tavaramerkki, sarjanumero) on turmeltu, muutettu tai poistettu
  - tämän käyttöoppaan laiminlyönnistä johtuvia vaurioita
  - ei-CE-tuotetta
  - tuotetta, jota on yrittänyt korjata epäpätevä ammattilainen tai joka on korjattu ilman Technronic Industrien ennakkulupaa.
  - tuotetta, joka on liitetty virheelliseen teholähteeseen (ampeeri, jännite, taajuus)
  - tuotetta, jossa on käytetty väärää polttoaineseosta (polttoaine, öljy, öljyprosentti)
  - ulkoisten vaikutusten (kemiallinen, fyysinen, iskut) tai vieraiden aineiden aiheuttamaa vauriota
  - normaaleja kuluvia varaosia
  - virheellistä käyttöä, työkalun ylikuormitusta
  - ei-hyväksytyjen tarvikkeiden tai osien käyttöä
  - sähkötyökalun tarvikkeita, jotka on toimitettu työkalun mukana tai ostettu erikseen. Poissuljettuja osia ovat ruuvausterät, poranterät, hiomalaikat, liekkapaperi ja terät, sivurojain, näihin liitettävien räjähdyttämättä
  - Luonnollisesti kuluvia komponentteja (osia tai tarvikkeita), joihin sisältyvät huolto- ja kunnossapitoasetit, hiiliharjat, laakerit, terästätkat, SDS-porien kiinnittin tai istukka, virtajohto, apukahva, kuljetuskotelo, hiomalaikka, pölypussi, pölypoistoputki, huopatiivisteet, iskunvääntimen pulitit ja jouset yms. Näihin kuitenkin rajoittamatta.
4. Tuote on lähetettävä huollettavaksi valtuutettuun RYOBI-huoltoon tai näytettävä siellä. Niiden osotteet kussakin lausuma löytyvät seuraavasta luettelosta. Joissakin maissa paikallinen RYOBI-jälleenmyyjä huolehtii tuotteen lähetyksestä RYOBI-huolto-organisaation. Kun tuote lähetetään RYOBI-huoltoon, se täytyy pakata hyvin ilman vaarallisia aineita, kuten polttoainetta, ja pakkaukseen täytyy merkitä lähettäjän nimi sekä vain lyhyt kuvaus.
5. Takuun kattama korjaus/vaihto on maksuton. Se ei tarkoita takuuaian laajennusta tai alkamista alusta. Vahdetut osat tai työkalut siirtyvät valmistajan omistukseen. Joissakin maissa lähettäjän täytyy maksaa lähetyskustannukset tai postikulut. Työkalun oston luomat lakisääteiset oikeudet pysyvät koskettomattomina
6. Tämä takuu on voimassa Euroopan yhteisössä, Sveitsissä, Islannissa, Norjassa, Liechtensteinissä, Turkissa ja Venäjällä. Ota näiden alueiden ulkopuolelta yhteyttä omaan valtuutettuun RYOBI-jälleenmyyjään ja selvitä, onko jotain muuta takuuta.

### VALTUUTETTU HUOLTO

Voit etsä lähimmän valtuutetun huollon sivulta <http://fi.ryobitools.eu/header/service-and-support/service-agents>.

## **NO** RYOBI® GARANTIBETINGELSER

I tillegg til eventuelle lovbestemte rettigheter som følger av kjøpet, er dette produktet dekket av en garanti som angitt nedenfor.

1. Garantiperioden er 24 måneder for konsumenter og gjelder fra den datoen som produktet ble kjøpt. Denne datoen skal dokumenteres med en faktura eller annet kjøpsbevis. Produktet er designet og beregnet kun til konsument- og privat bruk. Så det gir ingen garanti ved profesjonell eller kommersiell bruk.
2. For en del av utvalget av elektriske verktøy (AC/DC) er det mulighet til å utvide garantiperioden i den perioden som er beskrevet ovenfor ved bruk av registrering på nettsidene [www.ryobitools.eu](http://www.ryobitools.eu). Kvalifisering av verktøyene for en utvidelse av garantiperioden er tydelig vist i butikker og Zeller på pakningen / og finnes innen produktokumentasjonen. Sluttbrukeren må registrere sine nylig anskaffede verktøy online innen 30 dager etter kjøpsdato. Sluttbrukeren kan registrere seg for den utvidede garantien i sitt land hvis det er opplyst på online registreringsskjemaet der dette alternativet er gyldig. Videre må sluttbrukere gi sitt samtykke til oppbevaring av dataene som kreves for å gå online, og de må godta vilkår og betingelser. Registreringsbekreftelesen, som sendes ut på e-post, og den originale fakturaen som viser kjøpsdato, vil tjene som bevis for den utvidede garantien.
3. Garantien dekker alle defekter i produktet under garantiperioden på grunn av defekter i utførelse eller materiale på kjøpsdato. Garantien er begrenset til å reparere og/eller erstatte og inkluderer ikke noen andre forpliktelser, inkludert, men ikke begrenset til, tilfældige eller følgesmessige skader. Garantien er ikke gyldig hvis produktet har blitt misbrukt, brukt på annen måte enn det som beskrives i bruksanvisningen eller er koblet til på feil måte. Denne garantien gjelder ikke for:
  - enhver skade på produktet som er resultat av utilstrekkelig vedlikehold
  - ethvert produkt som har blitt endret eller modifisert
  - ethvert produkt der de originale identifiseringsmerkene (varemerke, serienummer) har blitt uleselig, er endret eller fjernet
  - enhver skade som forårsakes av ikke-overholdelse av instruksjonsboken
  - ethvert ikke-CE-produkt
  - ethvert produkt som har blitt forsøkt reparert eller av en ikke-kvalifisert fagperson eller uten tidligere autorisasjon fra Technonic Industries.
  - ethvert produkt tilkoblet feil strømforsyning (ampere, spenning, frekvens)
  - ethvert produkt som brukes med feil drivstoffblanding (drivstoff, olje, prosentandel olje)
  - enhver skade som er forårsaket av eksterne påvirkninger (kjemiske, fysiske, støt) eller fremmede stoffer
  - normal slitasje og sliteservedeler
  - feil bruk, overbelastning av verktøyet
  - bruk av ikke-godkjent tilbehør eller deler
  - Elektrisk verktøytilbehør levert med verktøyet eller kjøpt separat. Slike ekskluderinger, inkludert, men ikke begrenset til skrutrekkerbits, drillbits, slipeskiver, sandpapir og blader, lateral føring
  - Komponenter (deler og tilbehør) som er utsatt for naturlig slitasje, inkludert, men ikke begrenset til service- og vedlikeholdssett, karbonborster, lagre, chuck, SDS-borrbifeste eller -mottak, stråmledning, hjelpehåndtak, transportbæreskive, sandingsplate, støvpose, støvutslipprør, filtpakninger, støtnøkkelpinner og fjær, osv.
4. For service må produktet sendes eller fremlegges for en RYOBI-autorisert servicestasjon opplyst for hvert land i den følgende listen over servicestasjonsadresser. I noen land sender den lokale RYOBI-forhandleren produktet til RYOBI serviceorganisasjonen. Ved å sende et produkt til en RYOBI servicestasjon skal produktet være sikkert pakket uten noe fargig innhold, slik som bensin, merket med senderens adresse og fulgt av en kort beskrivelse av feilen.
5. En reparasjon/erstatning under denne garantien er gratis. Den utgjør ingen forlengelse eller en ny start av garantiperioden. Utvekslede deler eller verktøy blir vår eiendom. I noen land vil leveringskostnader eller fraktering måtte betales av senderen. Disse lovbestemte rettigheter som oppstår fra kjøp av verktøyet forblir uberørt.
6. Denne garantien er gyldig i EU, Sveits, Island, Norge, Liechtenstein, Tyrkia og Russland. Utenfor disse områdene ta kontakt med din autorisert RYOBI-forhandler om en annen garanti gjelder.

### **AUTORISERT SERVICECENTER**

For å finne et autorisert servicecenter i nærheten, gå til <http://no.ryobitools.eu/header/service-and-support/service-agents>.

## **RU** УСЛОВИЯ ПРИМЕНЕНИЯ ГАРАНТИИ НА ПРОДУКЦИЮ RYOBI®

Помимо законных прав, возникающих при покупке, данное изделие покрывается гарантией в соответствии с приведенными ниже пунктами.

1. Гарантийный период для покупателя составляет 24 месяца с даты покупки изделия. Дата покупки должна быть подтверждена счетом или другим свидетельством покупки. Данное изделие предназначено только для частного использования покупателем. Поэтому гарантия не распространяется на использование в профессиональных или коммерческих целях.
2. Предусмотрена возможность продления для части изделий линейки электроинструментов (AC/DC) гарантийного периода с помощью регистрации на сайте [www.ryobitools.eu](http://www.ryobitools.eu). Право инструмента на продление гарантийного периода четко указано в магазинах и / или на упаковке / и содержится в сопутствующей инструменту документации. Конечный пользователь должен зарегистрировать свой приобретенный инструмент в течение 30 дней с даты покупки. Конечный пользователь может зарегистрировать свой инструмент на продление гарантии в стране своего проживания, если она указана в форме онлайн-регистрации. Кроме того, конечный пользователь должен дать свое согласие на хранение данных, которые необходимо ввести в онлайн-форму и принять правила и условия. Подтверждение регистрации, которое вы получите по электронной почте и оригинальный чек, в котором указана дата покупки, будут служить доказательством продленной гарантии.
3. Гарантия покрывает в течение гарантийного периода все дефекты качества или материала изделия на дату покупки. Гарантия ограничена ремонтом и / или заменой и не включает никакие другие обязательства, включая, но не ограничиваясь случайными или косвенными убытками. Гарантия становится недействительной, если изделие использовалось не по назначению, вопреки инструкциям, данным в Руководстве пользователя или было неправильно подключено. Настоящая гарантия не распространяется на:
  - любые повреждения изделия в результате неправильного технического обслуживания
  - любые изделия, подвергшиеся изменениям и модификации
  - любые изделия, оригинальные идентификационные отметки которого (торговая марка, серийный номер) были повреждены, изменены или удалены
  - любые повреждения, вызванные несоблюдением инструкций Руководства пользователя
  - любые изделия, не относящиеся к CE
  - любые изделия, подвергшиеся попыткам ремонта неквалифицированным работником или без предварительного утверждения компании Technonic Industries.
  - любые изделия, подключенные к неправильному источнику питания (сила тока, напряжение, частота)
  - любые изделия, в которых использовались несоответствующие топливные смеси (топливо, масло, процент масла)
  - любые повреждения, вызванные внешними воздействиями (химические, физические, удары) или посторонними веществами
  - нормальный износ и разрыв запасных деталей
  - несоответствующее использование, перегрузка инструмента
  - использование неутвержденных аксессуаров и запасных деталей
  - аксессуары электроинструментов, поставляемые с инструментом или приобретаемые отдельно. Такие исключения включают, но не ограничиваются сверла шуруповертов, дрелей, абразивные диски, наждачную бумагу, лезвия и боковые направляющие
  - компоненты (детали и аксессуары), подверженные естественному износу и разрыву, включая, но не ограничиваясь наборы для технического обслуживания, угольные щетки, подшипники, патроны, насадки сверл SDS, кабели питания, дополнительные ручки, футляры для транспортировки, шифовальные плиты, пылеприемники, трубки для отсасывания пыли, войлочные шайбы, штыри и пружины ударных ключей и др.
4. Для проведения технического обслуживания изделие следует направлять в авторизованные сервисные центры RYOBI, указанные для каждой страны в приведенном ниже списке адресов станций сервисного обслуживания. В некоторых странах местные дилеры RYOBI отправляют изделия в сервисные организации RYOBI. При отправке изделия в сервисный центр RYOBI, изделие должно быть безопасно упаковано и не содержать никаких опасных веществ, таких как бензин, должен быть подписан адрес отправителя и сопровождаться кратким описанием неисправности.
5. Ремонт / замена проводится в рамках настоящей гарантии бесплатно. Он не продлевает гарантию и не начинает новый гарантийный период. Замененные детали и инструменты становятся нашей собственностью. В некоторых странах отправитель должен оплачивать стоимость отправки. Ваши законные права, возникшие при покупке инструмента, остаются неизменными.
6. Данная гарантия действительна в Европейском Сообществе, Швейцарии, Исландии, Норвегии, Лихтенштейне, Турции и России. Вне указанных территорий обращаетесь к своему авторизованному дилеру RYOBI, чтобы узнать, применяются ли условия каких-либо других гарантий.

### **УПОЛНОМОЧЕННЫЙ СЕРВИСНЫЙ ЦЕНТР**

Чтобы найти ближайший уполномоченный сервисный центр, обратитесь к веб-сайту <http://uk.ryobitools.eu/header/service-and-support/service-agents>

## PL WARUNKI GWARANCJI RYOBI®

Oprócz praw ustawowych wynikających z zakupu produkt jest objęty gwarancją, której warunki podano poniżej.

- Okres gwarancyjny wynosi 24 miesiące dla konsumentów i rozpoczyna się w dniu zakupu produktu. Datę zakupu należy udokumentować fakturą lub innym dowodem zakupu. Produkt został zaprojektowany i jest przeznaczony do użytku konsumenciem i prywatnego. W związku z tym gwarancja nie obejmuje zastosowań profesjonalnych i komercyjnych.
- Istnieje możliwość wydłużenia okresu gwarancyjnego dla części asortymentu narzędzi ręcznych z napędem mechanicznym (AC/DC) poprzez zarejestrowanie produktu na stronie internetowej [www.ryobitools.eu](http://www.ryobitools.eu). Kwalifikowalność narzędzi do wydłużenia okresu gwarancyjnego jest wyraźnie określona w sklepach i/lub na opakowaniu oraz w dokumentacji produktu. Użytkownik końcowy musi zarejestrować nowo kupione narzędzia online w ciągu 30 dni od daty zakupu. Użytkownik końcowy może zarejestrować się w celu przedłużenia gwarancji w swoim kraju zamieszkania, jeżeli jest on wymieniony w formularzu rejestracji online, gdzie opcja ta obowiązuje. Ponadto użytkownicy końcowi muszą wyrazić zgodę na przechowywanie danych, wprowadzanych na stronie internetowej i zaakceptować regulamin. Dowodem wydłużenia gwarancji jest wysłane pocztą elektroniczną potwierdzenie rejestracji i oryginał faktury potwierdzającej datę zakupu.
- Gwarancja obejmuje wszystkie wady produktu ujawnione w okresie gwarancyjnym wynikające usterek wykonania lub materiału obecnego w dniu zakupu. Gwarancja jest ograniczona do naprawy i/lub wymiany i nie obejmuje żadnych innych zobowiązań, w tym między innymi odpowiedzialności za szkody przypadkowe lub wtórne. Gwarancja nie obowiązuje, jeżeli produkt był nieprawidłowo używany, używany niezgodnie z instrukcją lub nie był prawidłowo podłączony. Gwarancja nie obejmuje:
  - uszkodzenia produktu wynikającego z nieprawidłowej konserwacji,
  - produktu, który został zmieniony lub zmodyfikowany,
  - produktu, którego oryginalne oznaczenie (znak towarowy, numer seryjny) zostało zniszczone, zmienione lub usunięte,
  - jakichkolwiek uszkodzeń wynikających z nieprzestrzegania instrukcji,
  - jakiegokolwiek produktu bez certyfikatu CE,
  - jakiegokolwiek produktu, który próbowano naprawić z pomocą niewykwalifikowanej osoby lub bez uzyskania wcześniejszej zgody firmy Technronic Industries,
  - jakiegokolwiek produktu podłączonego nie prawidłowego źródła zasilania (nieprawidłowe nateżenie prądu, napięcie, częstotliwość),
  - jakiegokolwiek produktu, który był używany z nieprawidłową mieszanką paliwową (paliwo, olej, procentowy udział oleju),
  - jakichkolwiek uszkodzeń spowodowanych wpływem czynników zewnętrznych (chemicznych, fizycznych, dźwiękowych) lub substancji obcych,
  - normalnego zużycia części zamiennych,
  - nieprawidłowego użycia, przecięcia narzędzia,
  - stosowania niezatwierdzonych akcesoriów lub części,
  - akcesoriów narzędzi ręcznych z napędem mechanicznym dostarczonych z narzędziem lub kupionych oddzielnie. Takie wyłączenia obejmują, między innymi, wymienne ostrza wkrętaka, wiertła, tarcze cierne, papier ścierny i ostrza, prowadnicę boczną,
  - elementów (części i akcesoriów) podlegających naturalnemu zużyciu obejmujących, między innymi, zestawy do konserwacji i serwisu, szcztaki węglowe, łożyska, uchwyty, przystawkę wiertła SDS, gniazdo, przedotwieracz, uchwyty pomocnicze, skrzynie transportowa, płytę szliflerską, worek pyłowy, rurę odprowadzania pyłu, podkładki filcowe, korki i sprężyny klucza uderowego itp.
- W celu serwisowania produkt należy wystać lub okazać w autoryzowanym punkcie serwisowym RYOBI znajdującym się na przedstawionym poniżej wykazie punktów serwisowych w poszczególnych krajach. W niektórych krajach lokalny dystrybutor produktów RYOBI podejmuje się wysyłki produktu do centrum serwisowego RYOBI. W przypadku wysyłki do punktu serwisowego RYOBI produkt — pozbawiony jakichkolwiek niebezpiecznych substancji, na przykład benzyny — należy bezpiecznie zapakować i dołączyć adres nadawcy oraz krótki opis usterek.
- Naprawa/wymiana w ramach niniejszej gwarancji jest bezpłatna. Nie stanowi jednak o przedłużeniu lub rozpoczęciu od nowa biegu okresu gwarancyjnego. Wymienione części lub narzędzia stają się naszą własnością. W przypadku niektórych krajów nadawca będzie musiał uregulować koszty dostawy lub opłaty pocztowe. Prawa ustawowe wynikające z zakupu narzędzia pozostają niezmiennicze.
- Niniejsza gwarancja obowiązuje w Unii Europejskiej, Szwajcarii, Islandii, Norwegii, Liechtensteinie, Turcji i Rosji. Poza tymi obszarami należy skontaktować się z autoryzowanym dostawcą produktów RYOBI i ustalić, czy obowiązuje inna gwarancja.

### AUTORYZOWANY PUNKT SERWISOWY

Najbliższy autoryzowany punkt serwisowy można wyszukać w witrynie internetowej <http://uk.ryobitools.eu/header/service-and-support/service-agents>.

## CS ZÁRUČNÍ PODMÍNKY RYOBI®

Kromě zákonných práv vyplývajících z koupě výrobku se na tento výrobek vztahuje také níže uvedené záruka.

- Záruční doba pro spotřebitele je 24 měsíců a začíná datem nákupu výrobku. Datum musí být zaznamenáno na faktúře nebo jiném dokladu o koupi. Tento výrobek je navržen a určen pouze pro soukromé účely spotřebitelů. Záruka se tedy nevztahuje na profesionální nebo komerční využití výrobku.
- U některých elektrických nástrojů (AC/DC) je možné záruční dobu prodloužit. K tomu je nutná registrace na stránkách [www.ryobitools.eu](http://www.ryobitools.eu). Možnost prodloužené záruční doby výrobků je jasně uvedena v prodejních, popř. na obalech nebo v dokumentech o výrobku. Koncový uživatel musí svůj nový nástroj zaregistrovat online do 30 dnů od data nákupu. Koncový uživatel se může k prodloužené záruční době zaregistrovat v zemi trvalého pobytu, pokud je tato uvedena na internetovém registračním formuláři u výrobku, kde je tato možnost dostupná. Koncoví uživatelé musí dále souhlasit s uložením osobních údajů, která musí zadat na internetu, a přijmout obchodní podmínky. E-mail s potvrzením registrace a původní faktura s datem koupě poslouží jako důkaz o prodloužené záruce.
- Záruka se vztahuje na veškeré vady na výrobku v rámci záruční doby způsobené výrobními vadami nebo vadami materiálu v době koupě. Záruka je omezena na opravu, popřípadě výměnu a nezahrnuje žádné další povinnosti, včetně mimo jiné vedlejších či následných odškodnění. Záruka neplatí při použití výrobku k nevhodným účelům, v rozporu s uživatelskou příručkou nebo při nesprávném zapojení. Záruka se nevztahuje na:
  - veškeré škody na výrobku způsobené nesprávnou údržbou
  - veškeré produkty, které byly pozměněny nebo upraveny
  - veškeré produkty, kde byly původní identifikační prvky (obchodní značka, sériové číslo) poňeny, pozměněny nebo odstraněny
  - veškeré škody způsobené neodporovanými pokyny uživatelské příručky
  - veškeré produkty bez CE certifikace
  - veškeré produkty, které se pokusil opravit nekvalifikovaný odborník nebo opravy bez předchozího svolení společnosti Technronic Industries.
  - veškeré produkty zapojené do nesprávného elektrického zdroje (proud, napětí, frekvence)
  - veškeré produkty používané s nevhodnou palivovou směsí (palivo, olej, procento oleje)
  - veškeré škody způsobené externími vlivy (chemickými, fyzickými, nárazy) nebo cizími látkami
  - běžné opotřebování dílů
  - nevhodné použití, přetěžování nástroje
  - použití neschválených příslušenství nebo dílů
  - příslušenství k elektrickým nástrojům poskytnuté s nástrojem nebo zakoupené samostatně. Tyto výjimky se vztahují mimo jiné na šroubovací vrtáky, brusné disky, brusný papír a čepele, postranní vodičí lišty
  - komponenty (díly a příslušenství) podléhající přirozenému opotřebování, včetně mimo jiné servisních sad, karbových kartáčů, ložisek, sklíčidla, SDS nástavce na vrtací bity, napájecího kabelu, pomocné rukojeti, přepravního pouzdra, brusné desky, prachového vaku, výfukové prachové trubice, pístových podložek, západek a pružin rázového utahovačku atd.
- K provedení servisu musí být výrobek zaslán nebo předán do autorizovaného servisního centra společnosti RYOBI, jejichž adresy jsou uvedeny podle země v seznamu servisních center. V některých zemích za vás výrobek pošle servisní organizaci RYOBI sám prodejce výrobků této značky. Při zaslání výrobku do servisního centra RYOBI je potřeba výrobek bezpečně zabalit bez nebezpečného obsahu jako benzín, opatřit adresou odesílatele a připojit krátký popis závady.
- Oprava, popř. výměna v rámci této záruky je zdarma. Neznamená to prodloužení nebo začátek nové záruční lhůty. Vyměněné díly nebo nástroje přejdou do našeho vlastnictví. V některých zemích platí poštovné odesílatelem. Vaše zákonná práva vyplývající z koupě tohoto nástroje zůstávají nedotčena.
- Tato záruka platí v Evropském Společenství, Švýcarsku, Norsku, Lichtenštejnsku, Turecku, Rusku a na Islandu. Mimo tato území kontaktujte autorizovaného prodejce značky RYOBI, který zjistí, zda se na výrobek vztahuje jiná záruka.

### POVĚŘENÉ SERVISNÍ STŘEDISKO

Pro nalezení nejbližšího pověřeného servisního střediska navštivte <http://uk.ryobitools.eu/header/service-and-support/service-agents>.



## **(HU)** A RYOBI® GARANCIA KALKULÁZÁSÁNAK FELTÉTELEI

A vásárlásból adódó törvényben rögzített jogok mellett a termékre az alábbi garancia vonatkozik.

1. A fogyasztói garancia tartama 24 hónap, mely a termék vásárlásának napjával kezdődik. Ezt a dátumot számlával vagy a vásárlást igazoló egyéb dokumentummal kell bizonyítani. A termék rendeltetése csak fogyasztói és magáncélú használat. Ezért professzionális vagy kereskedelmi használat esetén a garancia nem érvényes.
2. A szerszámgépek (egyenáramú/váltóáramú) egy részénél a garancia időtartama a [www.ryobitools.eu](http://www.ryobitools.eu) webplacon regisztrálva meghosszabbítható. Az áruházakban, a csomagoláson, illetve a termék dokumentációjában egyértelműen jelezve van, hogy az adott termék garanciája meghosszabbítható-e. A végfelhasználónak a vásárlás dátumától számított 30 napon belül regisztrálnia kell az újonnan vásárolt szerszámot. A végfelhasználó akkor regisztrálhat a kiterjesztett garanciára, ha az ország, ahol lakik, fel van sorolva az online regisztrációs űrlapon azon országok között, ahol választható ez az opció. Ezenkívül a végfelhasználónak bele kell egyeznie az online regisztrálás során szükséges adatok tárolásába, és el kell fogadnia a felhasználási feltételeket. A kiterjesztett garanciát a regisztráció beérkezésétől e-mailben küldött visszaigazolás és a vásárlás dátumát tartalmazó eredeti számla igazolja.
3. A garancia a termék vásárlásakor fenáll, a gyártás során keletkezett hibákra és anyaghibákra érvényes a garanciális időtartamon belül. A garancia csak a javításra/cserére korlátozódik, és nem terjed ki semmilyen egyéb kötelezettségre, nem kizárólagosan ideértve a véletlen vagy szándékos rongálást. A garancia nem érvényes, ha a termék nem megfelelően, a használati utasításban foglaltakkal ellentétben, illetve nem megfelelően csatlakoztatva használták. A garancia nem vonatkozik:
  - a terméket a nem megfelelő karbantartás következtében érd károsodásra
  - megváltoztatott vagy átalakított termékre
  - olyan termékre, melyen az eredeti alkotórészek (védjegy, sorozatszám) megrongáltak, megváltoztatták vagy eltávolították
  - a használati utasítás be nem tartásából eredő kárra
  - CE jelöléssel nem rendelkező termékekre
  - olyan termékre, melyet nem képzett, illetve a Techtronic Industries által nem feljogosított szerelő javított
  - nem megfelelő (áramerősségű, feszültségű, frekvenciájú) áramforrásra csatlakoztatott termékre
  - nem megfelelő üzemanyag-keverékkel (üzemanyag, olaj, olaj aránya) használt termékre
  - külső (vegyi, fizikai, útés) hatásokból vagy idegen anyagokból eredő károokra
  - a cserélhető alkatrészek természetes kopására és elhasználódására
  - a szerzőm helytelen használatára, túlterhelésére
  - nem jóváhagyott tartozékok és alkatrészek használatára
  - A szerzőmmel adott vagy külön megvásárolt tartozékokra. Ilyenek például (de nem kizárólag) a csavarhúzófejek, fűrészek, csiszolókorongok, csiszolópapír, kések, oldalirányú terelők.
  - A természetes kopásnak, elhasználódásnak kitett alkatrészek és kiegészítők, például (de nem kizárólag) szerviz- és karbantartókészletek, szénkefék, csapágycyk, tokmány, SDS fűrészar csatlakozások, tápkábel, segédgőfagyantú, szállítók, csiszolólap, porzsák, porlevetző cső, ficalátetek, ütőműves csavarbehajító gép csapszege és rugója stb.
4. A terméket javításra el kell vinni egy meghatalmazott RYOBI szervizbe; ezeket az egyes országokhoz a következő listában találja. Egyes országokban a helyi RYOBI kereskedő vállalja a termék elszállítását a RYOBI szervizbe. A terméket veszélyes tartalom, például benzin nélkül csomagolva, a feladó címét feltüntetve, a hiba rövid leírásával együtt küldje el a RYOBI szervizbe.
5. A jelen garancia hatálya alatt végzett javítás, illetve cseré ingyenes. Nem jelenti a garanciális időtartam újraindulását. A kicserélt alkatrészek és szerszámok a mi tulajdonunkba kerülnek. Egyes országokban a szállítási vagy postázás költségét a feladó viseli. A vevőnek a szerzőm megvásárlásából adódó törvényes jogai nem változnak.
6. Jelen garancia az Európai Közösségekben, Svájcban, Izlandon, Norvégiaiban, Liechtensteinben, Törökországban és Oroszországban érvényes. E területen kívül kérdezze meg a RYOBI forgalmazót, hogy milyen garancia van érvényben.

### HIVATALOS SZERVIZKÖZPONT

A legközelebbi hivatalos szervizközpont megtalálásához látogasson el a <http://uk.ryobitools.eu/header/service-and-support/service-agents>.

## **(RO)** CONDIȚII DE APLICARE A GARANȚIEI PENTRU PRODUSELE RYOBI®

În plus față de condițiile statutare rezultate din achiziționarea acestui produs, acesta este acoperit de garanția stipulată mai jos:

1. Perioada de garanție este de 24 de luni pentru consumatori și începe de la data achiziționării produsului. Data de începere a garanției trebuie demonstrată cu o factură sau altă dovadă a cumpărării produsului. Produsul este destinat și conceput doar pentru utilizare în scopuri personale. Din acest motiv, nu se oferă garanție pentru utilizarea sa în scop profesional sau comercial.
2. Există posibilitatea de extindere a perioadei de garanție pentru gama de unelte electrice (de CA/CC) peste perioada stipulată mai sus prin înscrierea produsului pe [website-ul www.ryobitools.eu](http://website-ul-ww.ryobitools.eu). Eligibilitatea pentru perioada de extindere a garanției este afișată în mod clar în magazinele de vânzare și/sau pe ambalaj sau este inclusă în documentația livrată împreună cu produsul. Utilizatorul final este obligat să-și înregistreze produsul online în termen de maxim 30 de zile de la achiziția acestuia. Utilizatorul final poate înregistra produsul pentru garanția extinsă oferită în țara sa de rezidență dacă aceasta este listată în formularul de înregistrare online și dacă această opțiune este validă. În plus, utilizatori finali trebuie să-și dea acordul pentru stocarea datelor personale solicitate la înregistrarea online și trebuie să accepte termenii și condițiile. Mesajul de confirmare a înregistrării, trimis prin e-mail și factura originală cu data achiziției vor dovedi perioada de garanție extinsă.
3. Garanția acoperă toate defecțiunile produsului survenite în perioada de garanție datorate defectelor de execuție sau materialelor folosite, începând cu data achiziției acestuia. Garanția este limitată la reparare și/sau înlocuire și nu include alte obligații, inclusiv, dar fără a se limita la daune accidentale sau rezultate pe cale de consecință. Garanția își pierde valabilitatea dacă produsul este utilizat necorespunzător, utilizat neconform cu instrucțiunile de utilizare din manualul cu instrucțiuni sau conectat incorect. Garanția nu se aplică în cazuri:
  - oricărei defecțiuni survenite în urma întreținerii necorespunzătoare a produsului
  - oricărui produs alterat sau modificat
  - oricărui produs la care inscripțiile cu datele de identificare (marca comercială, numărul de serie) au fost șterse, modificate sau îndepărtate
  - oricărei defecțiuni datorate neconformării cu instrucțiunile din manualul de utilizare
  - oricărui produs necertificat CE
  - oricărui produs asupra căruia au fost efectuate tentative de reparare de către personal necertificat sau fără autorizație prealabilă din partea Techtronic Industries.
  - oricărui produs conectat la o sursă de alimentare necorespunzătoare (curent, tensiune, frecvență)
  - oricărui produs utilizat cu un amestec de carburant necorespunzător (combustibili, ulei, proporții de adaos ulei)
  - oricărui defecțiuni datorate unor influențe externe (chimice, fizice, șocuri) sau substanțe străine
  - uzurii și fisurării normale a pieselor de rezervă
  - utilizării neadecvate, supraalimentării uneltei
  - utilizării de piese și accesorii neaprobate
  - accesoriilor pentru unelță furnizate odată cu aceasta sau achiziționate separat. Aceste excluderi se aplică, dar fără a se limita la următoarele: burghie, biți de surubelniță, discuri abrazive, hârtie abrazivă și lame de tăiere, ghidaje laterale
  - Componentele (piese și accesorii) supuse uzurii normale, care includ, fără a se limita la, kituri de întreținere și service, peri de cărbune, rulmenți, mandrină, adaptor pentru burghie SDS, cordon de alimentare, mâner auxiliare, cutie de transport, placă pentru gletuit, sac pentru praf, tub pentru evacuarea prafului, discuri de pălă, adaptoare și resorturi pentru cheile de strângere prin vibrare, etc.
4. Pentru efectuarea reparațiilor, produsul trebuie trimis sau adus la un centru de reparații autorizat RYOBI din lista următoare de centre de reparații prezentate pentru fiecare țară. În anumite țări, reprezentatul local RYOBI va trimite produsul spre reparare la sediul central de reparații RYOBI. Atunci când trimiteți produsul spre reparare la un centru de reparații RYOBI, acesta trebuie ambalat în siguranță, fără conținut periculos (cum ar fi benzină), marcat cu adresa expeditorului și însoțit de o scurtă descriere a defectului.
5. Repararea/inlocuirea în perioada de garanție este gratuită. Aceasta nu este însoțită de o prelungire sau o reînțiere a perioadei de garanție. Piesele sau uneltele schimbate devin proprietatea dvs. În anumite țări, taxe de expediție sau poștale vor fi suportate de expeditor. Drepturile dvs. statutare rezultate din achiziția produsului rămân neșchimbate.
6. Această garanție este valabilă în Comunitatea Europeană, Elveția, Islanda, Norvegia, Liechtenstein, Turcia și Rusia. În afara acestor zone, vă rugăm să contactați reprezentantul dvs. local RYOBI pentru a determina dacă se aplică alt tip de garanție.

### CENTRU DE SERVICE AUTORIZAT

Pentru a găsi un centru de service autorizat lângă dvs., vizitați <http://uk.ryobitools.eu/header/service-and-support/service-agents>.

## LV RYOBI® GARANTIJAS PIEMĒROŠANAS NOSACĪJUMI

Papildin jebkādam likumiskajām tiesībām, kuras rodas, veicot pirkumu, izstrādājums tiek nodrošināts ar tālāk tekstā noteikto garantiju.

1. Garantijas periods patērētājiem ir 24 mēneši, tā atskaitē tiek sākta no datuma, kurā veikta izstrādājuma iegāde. Šim datumam jābūt dokumentētām rēķinā vai citā pirkumu apliecinošā dokumentā. Izstrādājums ir radīts un paredzēts tikai patērētāja privātai lietošanai. Saistībā ar iepriekšminēto, garantija netiek nodrošināta profesionālas vai komerciālas lietošanas gadījumā.
2. Pastāv iespēja pagarināt daļas no elektroinstrumentu klāsta (Maistrāvas/akumulatoru) garantiju ilgāk par iepriekš minēto periodu, izmantojot reģistrāciju interneta vietnē [www.ryobitools.eu](http://www.ryobitools.eu). Instrumenti, kas pakļauti garantijas perioda pagarināšanai, tiek skaidri apzīmēti veikalos un/vai uz iepakojuma un izstrādājumu komplektējošajā dokumentācijā. Gala lietotājam nepieciešams reģistrēt tā iegādāto jauno instrumentu 30 dienu laikā no pirkuma datuma. Gala lietotājs var reģistrēties pagarinātajai garantijai savā mītnes valstī, ja tā minēta tiešsaistes reģistrācijas veidlapā, kurā šī iespēja ir aktīva. Bez tam, gala lietotājam ir jāsniedz pierādīšana tiešsaistes ievadīšanai nepieciešamo datu glabāšanai un jāpiekrīt noteikumiem un nosacījumiem. Reģistrācijas apstiprinājums, kas tiek nosūtīts, izmantojot e-pastu, un rēķina oriģināls, kurā norādīts iegādes datums, kalpo kā pagarinātās garantijas apstiprinājums.
3. Garantija attiecas uz visiem izstrādājuma defektiem garantijas periodā, kas saistīti ar ražošanas vai materiālu defektiem no pirkuma datuma. Šī garantija tiek ierobežota ar remontu un/vai nomainītu un neietver jebkādas citas saistības, tajā skaitā, bet ne tikai, cēloņsakarīgos vai saistītos bojājumus. Garantija nav spēkā, ja izstrādājums ir nepareizi lietots, izmantots pretēji norādētiem lietošanas rokasgrāmatā vai bijis nepareizi pieslēgts. Šī garantija netiek attiecināta uz:
  - jebkādiem izstrādājumu bojājumiem, kas radušies nepareizas uzturēšanas rezultātā
  - jebkuru izstrādājumu, kas ticis pārveidots vai mainīts
  - jebkuru izstrādājumu, kura oriģinālās identifikācijas (preču zīme, sērijas numurs) marķējums ir ticis nodzēsts, mainīts vai noņemts
  - jebkādiem bojājumiem, kuri radušies neievērojot norādes lietošanas rokasgrāmatā
  - jebkādam izstrādājumam bez CE sertifikācijas
  - jebkaram izstrādājumam, kura remonta mēģinājis veikt nekvalificēts personāls vai bez Technonic Industries iepriekšējas autorizācijas.
  - jebkaram izstrādājumam, kurš bijis pieslēgts neatbilstoši parametru (strāvas, sprieguma, frekvences) sprieguma avotam
  - jebkaram izstrādājumam, kurš bijis izmantots ar nepareizu degvielas maisījumu (degviela, eļļa, eļļas procentuālais saturs)
  - jebkuriem bojājumiem, kuri radušies ārējas iedarbības (ķīmiskas, fiziskas, triecieni) vai vielu ietekmē
  - detaļu normāla lietošanas nodiluma rezultātā
  - nepareizas lietošanas vai instrumentu pārlodes rezultātā
  - neapstrīnātu detaļu vai aprīkojuma lietošanas rezultātā
  - elektroinstrumentu aksesuāriem, kas atrodas instrumenta komplektācijā vai ir iegādāti atsevišķi. Šis izņēmums attiecināms uz, bet neaprobežojoties ar, skrūvgrīžu uzgaliem, urbjiem, abrazīvajiem diskkiem, smilšpapīru un asmeņiem, sānu vadotnēm
  - komponentiem (daļām un aksesuāriem), kas pakļauti normālam nodilumam, ieskaitot, bet neaprobežojoties ar Servisa un apkopju komplekti, oglekļa sukuks, gultņi, patrona, SDS urbjū uzvērējiem vai uzlīkas, elektrības vads, papildus rukturis, transportēšanas un pārnēsāšanas kaste, silpmašīnas plāksne, putekļu maiss, putekļu izvadsīšanas caurule, palātkšņi, triecienatslēgu tapas un atsperes, u.t.t.
4. Servisa nodrošināšanai, izstrādājums ir jānodod pilnvarotā RYOBI servisa centrā, kas norādīts katrā valstī tālāk minētajā servisa centra adresē sarakstā. Dažās valstīs jūsu vietējais RYOBI izplatītājs uzņemas izstrādājuma nosūtīšanu uz RYOBI servisa organizāciju. Nosūtīt izstrādājumu uz RYOBI servisa centru, izstrādājuma jābūt droši iepakotam, tas nedrīkst saturēt bīstamas vielas kā degvielu, sūtlījumam jābūt marķētam ar sūtītāja adresi un īsu kļūmes aprakstu.
5. Remonts/nomaīpa šīs garantijas ietvaros ir bezmaksas. Tas nerada garantijas perioda pagarināšanu vai jaunu garantiju. Nomainītās daļas vai instrumentu kļūst par mūsu īpašumu. Dažās valstīs piegādes vai pasta izmaksas būs jāpārmaksā sūtītājam. Jūsu likumiskās tiesības, kas nodibinās, iegādājoties instrumentu, paliek nemainīgas
6. Šī garantija ir spēkā Eiropas Kopienā, Šveicē, Islandē, Norvēģijā, Līhtenšteinā, Turcijā un Krievijā. Ārpus šīm teritorijām, lūdzu, sazinieties ar jūsu pilnvaroto RYOBI izplatītāju, lai noteiktu, vai ir piemērojama cita garantija.

### AUTORIZĒTS APKALPOŠANAS CENTRS

Lai atrastu tuvāko autorizēto apkalpošanas centru, apmeklējiet <http://uk.ryobitools.eu/header/service-and-support/service-centrs>.

## LT „RYOBI®“ GARANTIJOS TAIKYMO SĄLYGOS

Papildin bet kokias įstatymuose numatytas perkant atsirandančias teises, šiam įrenginiui taikoma toliau nurodyta garantija.

1. Vartotojas suteikiama 24 mėnesių trukmės garantija nuo įrenginio įsigijimo datos. Ši data turi būti nurodyta sąskaitoje faktūroje ar kitame pirkimą įrodančiame dokumente. Šis įrenginys skirtas tik vartotojų rinkai ir asmeniniam naudojimui. Todėl garantija netaikoma, jei įrenginys naudojamas profesionaliems ar komerciniems reikiams.
2. Įsigijus tam tikrus elektrinius įrenginius (AC/DC), suteikiama galimybė pratęsti garantiją, kad ji galiojūt ilgiau, nei nurodyta pirmiau, naudojantis registracija interneto svetainėje [www.ryobitools.eu](http://www.ryobitools.eu). Ar galima pratęsti įrenginio garantinį laikotarpį, aiškiai nurodoma parduotuvėse ir (arba) ant įrenginio pakuočės, ir (arba) įrenginio dokumentuose. Galutinis naudotojas turi užregistruoti savo naujai įsigytą įrenginį per 30 dienų nuo įsigijimo datos. Galutinis naudotojas gali registruotis išplėstinei garantijai savo gyvenamojoje šalyje, jei ji nurodyta internetinėje registracijos formoje, kurioje siūloma tokia galimybė. Be to, galutinai naudotojai turi sutikti su duomenų, kuriuos reikia įvesti internetui, saugojimu ir svetainės naudojimo sąlygomis. Kaip išplėstinės garantijos įrodymas naudojamos registracijos patvirtinimo kvitas, atsiunčiamas el. paštu, ir originali sąskaita faktūra, kurioje nurodyta įsigijimo data.
3. Ši garantija apima visus garantinius laikotarpiu aptiktus įrenginio trūkumus, atsiradusius dėl gamybos arba medžiaginių defektų nuo įsigijimo datos. Ši garantija ribojama remontu ir (arba) pakeitimu, ji neapima jokių kitų įsipareigojimų, įskaitant (bet tuo neapsiribojant) šalutinio arba antrinius nuostolius. Garantija anuliuojama, jei įrenginys buvo naudojamas netinkamai, naudojamas ne pagal naudojimo instrukciją arba netinkamai prijungtas. Ši garantija netaikoma:
  - jokiai įrenginiui padarytai žalai, kurią lėmė netinkama techninė priežiūra;
  - jokiai įrenginiui, kuris buvo keičiamas ar modifikuojamas;
  - jokiai įrenginiui, kurio originalūs identifikavimo ženklai (prekės ženklas, serijos numeris) buvo sugadinti, pakeisti arba pašalinti;
  - jokiai žalai, kurią lėmė naudojimo instrukcijos nesilaikymas;
  - jokiems CE ženklu nepažymėtiems įrenginiams;
  - jokiai įrenginiui, kurį bandė remontuoti nekvalifikuoti asmenys arba kuris buvo remontojamas be „Technonic Industries“ leidimo;
  - jokiai įrenginiui, kuris buvo prijungtas prie netinkamo maitinimo tinklo (netinkamos srovės, įtampos, dažnio);
  - jokiai įrenginiui, kuris buvo naudojamas su netinkamu degalų mišiniu (degalai, eilvi, maišymo santykis);
  - jokiai žalai, kurią lėmė išorinis poveikis (cheminis, fizinis, smūgiai) arba pašalinės medžiagos;
  - dėvimosioms dalims;
  - netinkamam naudojimui, įrenginio perkrovai;
  - nepatvirtintu priedų arba dalių naudojimui;
  - tuo įrenginiu pateiktiems arba atskirai įsigytiems elektrinio įrenginio priedams. Šios išimtyje apima (tuo neapsiribojant) atsuktuvų antgalius, grąžtų antgalius, šlifavimo diskus, švitinį popierių ir geležtes, šoninį kreiptuvą;
  - komponentams (dalims ir priedams), kurie natūraliai dėviusi, įskaitant (bet tuo neapsiribojant) įprastines ir technines priežiūros rinkinius, anglišius šepetėlius, guolius, laikiklį, SDS grąžtų antgalių priedą arba lizdą, maitinimo kabelį, pagalbines rankena, nešiojimo dėklą, šlifavimo diską, maišelį dulkmės, dulkių ištraukimo vamzdelį, fetro poveržles, smūginio veržliarakčio kaišius ir spyruokles ir pan.
4. Prieikvis atlikti priežiūros darbus, įrenginio reikia siųsti arba atvežti RYOBI įgaliotajam priežiūros centrui, nurodytam pakvietimo šalies priežiūros centrų adresų sąrašė. Kai kuriose šalyse vietinis RYOBI atstovas siunčia įrenginį RYOBI priežiūros organizacijai. Siunčiant įrenginį RYOBI priežiūros centrui, reikia saugiai į supakuoti pašalinant visas pavojingas medžiagas, pvz., benzina, nurodyti ant pakuočės siuntėjo adresą ir pridėti trumpą gedimo aprašymą.
5. Pagal šią garantiją remontas / keitimas atliekami nemokamai. Tokie veiksmai nelaikomi garantijos pratęsimu arba naujo garantinio laikotarpio pradžia. Dalys arba įrenginiai, kuriuos pakeitėme, tampa mūsų nuosavybe. Kai kuriose šalyse pristatymo ir pašto išlaidas turi padengti siuntėjas. Įstatymuose numatytos jusų teises, atsirandančios perkant įrenginį, lieka nepažeistos
6. Ši garantija galioja Europos bendrijoje, Šveicarijoje, Islandijoje, Norvegijoje, Lichtenšteine, Turkiijoje ir Rusijoje. Jei gyvenate ne šiose šalyse, kreipkitės į įgaliotąjį RYOBI atstovą ir sužinokite, ar jums taikoma kita garantija.

### IGALIJOTOS TECHNINĖS PRIEŽIŪROS CENTRAS

Jei norite surasti įgaliotą techninės priežiūros centrą netoli Jūsų, apsilankykite interneto svetainėje <http://uk.ryobitools.eu/header/service-and-support/service-centrs>.

## ET RYOBI® GARANTIINGIMUSED

Lisaks toote ostust tulenevatele seadusjärgsetele õigustele, kehtib tootele ka alltoodud garantiia.

1. Tarbijatele on garantiiaeg 24 kuud ja algab sellel kuupäeval, mil toode osteti. Selle kuupäeva tõestuseks on arve varjet või mõnda teist tõendit ostu sooritamise kohta. Toode on mõeldud eratarbijatele ainult isiklikuks kasutamiseks. Seega ei kehti garantii ostu kasutamisel kutsetegevuses või kaubanduslikel eesmärkidel.
2. Teatud osale elektrilistele (vahelduvvoolu/alisvoolu) tööriistadele on võimalik pikendada eespool toodud garantiiaega, kasutades toote registreerimist veebilehel [www.ryobitools.eu](http://www.ryobitools.eu). Teave tööriista võimaliku pikendatud garantiiaja kohta on selgelt esile toodud poodides ja/või pakendil / ning see sisaldub toote dokumentatsioonis. Lõpptarbijaja peab registreerima oma uued tööriistad interneti teel 30 päeva jooksul pärast ostupäeva. Lõppkasutaja võib registreerida pikendatud garantiiaja saamise oma elukohariigis, kui veebis olevas registreerimisvormis on see valik lubatav. Lisaks peavad kasutajad andma oma nõusoleku veebis nõutud sisestatavate andmete säilitamiseks ning nad peavad nõustuma tingimustega. E-posti teel saadetak registreerimise kinnitus ja arve originaal, kus on näha ostu sooritamise kuupäev, on pikendatud garantiiaja tõestuseks.
3. Garantii katab kõik defektid toote garantiiaja jooksul, kui ostu kuupäeval ilmnevad talitlus- või materjalivead. Garantii piirub toote remondi ja/või väljavahetamisega ning ei sisalda muid kohustusi, muu hulgas ettenägematuid või kaudseid kahjusid. Garantii ei kehti, kui toodet ei ole kasutatud sihtotstarbelselt või kooskõlas kasutusjuhendiga või see on valesti ühendatud. Garantii ei kehti järgmistel põhjustel:
  - toode on kahjustatud vale hoolduse tõttu
  - toodet on muudetud
  - toote algaparased identifitseerimismärgised (kaubamärk, seerianumber) on rikutud, muudetud või eemaldatud
  - kahju on tekkinud kasutusjuhendi mittejärgimisest
  - tootel puudub CE-märgis
  - toodet on püüdnud remontida vastavalt kvalifikatsiooni mitte omav isik või ilma firma Technronic Industries eelneva loata.
  - toode on ühendatud valesse toiteallikasse (voolutugevus, pinge, sagedus)
  - tootega kasutati sobimatut kütusesegu (kütus, õli, õli protsent)
  - välismõjude (keemilised, füüsikalised, elektrilöögid) või võrkehade tekitatud kahju
  - tavapärane kulumine ja katkised varuosad
  - ebaõige kasutamine, tööriista ülekoormamine
  - heakskiitmata tarvikute või osade kasutamine
  - koos tööriistaga saadud või eraldi ostetud elektriliste tööriistade tarvikud. Need erandid puudutavad muu hulgas kruvikeeraja otsakuid, puurterasid, lihvkettaid, lihvpaberit ja -taldu, küljühikuid
  - Komponentid (osad ja tarvikud), mida iseloomustab kulumine ja vananemine, muu hulgas remondi- ja hoolduskomplektid, süsinikharjad, laagrid, padrunid, SDS-puuriterade tarvikud, toitejuhe, lisakäepide, transportikott, lihviplaad, tolmuikott, tolmu väljalasketoru, viidist seibid, löökmittivõime violid ja vedrud jne.
4. Hoolduseks peab toote saatma või viima RYOBI volitatud teenindusse, mille aadressi leiata järgnevast teeninduspunkti nimekirjast vastava riigi alt. Mõnedes riikides võtab kohalik RYOBI edasimüüja enda kanda kohustuse saata toode RYOBI teenindusorganisatsiooni. Toote saatmisel RYOBI teenindusse peab toode olema ohutult pakitud ja ei tohi sisaldada ohtlikke aineid (nt bensiini), kirjas peab olema saatja aadress ja lisatud vea lühikirjeldus.
5. Garantii alusel tehtavad remonditööd / asendamine on tasuta. See ei pikenda garantii kehtivusaega ega tähista uue garantiiaja algust. Väljavahetatud osad või tööriistad kuuluvad meile. Mõnedes riikides maksab kättetoimetamis- ja postikulud saatja. Teile jäävad kehtima tööriista ostust tulenevad seadusjärgsed õigused
6. See garantii kehtib Euroopa Ühenduse territooriumil, Šveitsis, Islandil, Norras, Liechtensteinis, Türgis ja Venemaal. Väljaspool neid piirkondi võtke ühendust volitatud RYOBI edasimüüjaga, et teha kindlaks kas kehtib mõni teine garantii.

## VOLITATUD HOOLDUSKESKUS

Oma volitatud hoolduskeskuse leiata veebisaidil <http://uk.ryobitools.eu/header/service-and-support/service-agents>.

## HR UVJETI PRIMJENE JAMSTVA TVRTKE RYOBI®

Osim svim zakonskim pravima koja proizlaze iz kupnje, ovaj je proizvod pokriven jamstvom kako je navedeno u nastavku.

1. Jamstveno razdoblje za potrošače traje 24 mjeseca i počinje s datumom na koji je proizvod kupljen. Taj datum mora se dokumentirati računom ili drugim dokazom o kupnji. Proizvod je konstruiran i namijenjen samo za privatnu upotrebu korisnika. Stoga se jamstvo ne daje u slučaju profesionalne ili komercijalne uporabe.
2. Postoji mogućnost da se za dio sortimana električnih alata pokretanih izmjeničnom strujom (AC/DC) proizvodi gore navedeno jamstveno razdoblje putem registriranja na mrežnom mjestu [www.ryobitools.eu](http://www.ryobitools.eu). Uvjeti koje je potrebno zadovoljiti kako bi se produžilo jamstveno razdoblje jasno su istaknuti u prodavaonicama i / ili na pakiranju / i nalaze se unutar dokumentacije proizvoda. Krajnji korisnik mora registrirati svoje novo kupljene alate na mreži u roku od 30 dana od datuma kupnje. Krajnji korisnik može se registrirati za produženo jamstvo u svojoj zemlji boravišta ako se nalazi na popisu u mrežnom obrascu za registraciju gdje je ta opcija važeća. Nadalje, krajnji korisnici moraju dati svoj pristanak na pohranu podataka koji su potrebni za mrežni ulazak i moraju prihvatiti odredbe i uvjete. Potvrda o prijemu registracije, koja se šalje putem e-pošte, kao i originalni račun s vidljivim datumom kupnje poslužit će kao dokaz produženog jamstva.
3. Jamstvo pokriva sve nedostatke proizvoda tijekom jamstvenog razdoblja koji su nastali zbog neispravnosti prilikom izrade ili materijala s datumom kupnje. Jamstvo je ograničeno na popravak i/ili zamjenu i ne obuhvaća nikakve druge obveze, uključujući, ali ne ograničavajući se na slučajne ili posljedne štete. Jamstvo ne vrijedi ako je proizvod bio zlorabljivan, korišten u suprotnosti s priručnikom s uputama ili ako je pogrešno spojen. Ovo jamstvo ne primjenjuje se na:
  - svaku štetu koja je na proizvodu nastala kao rezultat nepravilnog održavanja
  - svaki proizvod koji je promijenjen ili izmijenjen
  - svaki proizvod na kojem su izvorne identifikacijske oznake (žig, serijski broj) bile oštećene, izmijenjene ili uklonjene
  - svaku štetu prouzročenu nepridržavanjem priručnika s uputama
  - svaki proizvod koji nema oznaku CE
  - svaki proizvod koji je pokušao popraviti nekvalificirani profesionalac ili onaj koji je popravljivan bez prethodnog odobrenja tvrtke Technronic Industries.
  - svaki proizvod koji je spojen na neprikladan izvor električnog napajanja (neodgovarajuća amperaža, napon, frekvencija)
  - svaki proizvod korišten s neodgovarajućom mješavinom goriva (neodgovarajuće gorivo, ulje, postotak ulja)
  - svaku štetu prouzročenu unutarimim utjecajima (kemijskim, fizikalnim, udarima) ili stranim tvarima
  - normalno habanje i trošenje rezervnih dijelova
  - neodgovarajuću uporabu, preopterećenje alata
  - upotrebu neodobrene pribora ili dijelova
  - dodatnu opremu električnog alata isporučenu s alatom ili kupljenu odvojeno. Takvi izuzetci uključuju ali nisu ograničeni na vrhove odvijča, svrdla bušilice, abrazivne disкове, brusni papir i noževe, bočnu vodilicu
  - Komponente (dijelovi i pribor) podložne prirodnom trošenju i habanju, što uključuje, ali nije ograničeno na komplecte za servisiranje i održavanje, ugljične četkice, ležajeve, steznu glavu, nastavak ili priključak za svrdla za SDS bušilicu, priključni kabel, pomoćnu ručku, transportne torbe, brusnu ploču, vreću za prašinu, ispušnu cijev za prašinu, podloške od filca, udarni klič, zatici i opruge, itd.
4. Za potrebe servisiranja, proizvod se mora poslati ili odnijeti u ovlaštenu servisnu postaju tvrtke RYOBI navedenu na sljedećem popisu s adresama servisnih postaja u svakoj zemlji. U nekim zemljama, vaš lokalni RYOBI zastupnik obavezuje se da će poslati proizvod u servisnu organizaciju tvrtke RYOBI. Kada se proizvod šalje u neku servisnu postaju tvrtke RYOBI, proizvod se mora sigurno pakirati bez ijednog od opasnih sadržaja kao što je benzin, na njemu mora pisati adresa pošiljatelja i mora biti popraćen kratkim opisom kvara.
5. Popravak / zamjena pod ovim jamstvom su besplatni. Oni ne predstavljaju produženje ili novi početak jamstvenog razdoblja. Zamijenjeni dijelovi ili alati postaju naše vlasništvo. U nekim državama troškove isporuke ili poštarinu mora platiti pošiljatelj. Vaša zakonska prava koja proizlaze iz kupnje alata ostaju nepromijenjena
6. Ovo jamstvo vrijedi u Europskoj uniji, Švicarskoj, Islandu, Norveškoj, Lihtenštajnu, Turskoj i Rusiji. Izvan tih područja vas molimo da se obratite svojem ovlaštenom zastupniku tvrtke RYOBI kako biste utvrdili primjenjuje li se drugo jamstvo.

## OVLASȚENI SERVISNI CENTAR

Za pronalaženje ovlaštenog servisnog centra pored vas posjetite <http://uk.ryobitools.eu/header/service-and-support/service-agents>.

## SL POGOJI ZA VELJAVNOST GARANCIE RYOBI®

Poleg morebitnih zakonsko določenih pravic, ki izvirajo iz nakupa, za ta izdelek velja spodaj navedena garancija.

- Garancijsko obdobje je za potrošnike 24 mesecev in začne teči z dnem nakupa izdelka. Ta datum mora biti dokumentiran z računom ali drugim dokazilom o nakupu. Izdelek je zasnovan in namenjen izključno za potrošniško zasebno uporabo. V primeru strokovne oziroma komercialne uporabe izdelka garancija ne velja.
- Obstaja možnost podaljšanja garancije na del naše ponudbe električnih orodij (AC/DC) prek obdobja garancije, opisanega zgoraj, s pomočjo registracije na spletnem mestu [www.ryobitools.eu](http://www.ryobitools.eu) website. Ustreznost orodij za podaljšanje garancijskega obdobja je jasno prikazana v trgovinah in/ali na embalaži oziroma je navedena v dokumentaciji izdelka. Končni uporabnik mora registrirati svoje novo orodje na spletu v 30 dneh po datumu nakupa. Končni uporabnik lahko registrira podaljšano garancijo v svoji državi bivanja, če je na obrazcu spletne registracije navedeno, da ta možnost velja za njegovo državo. Poleg tega morajo končni uporabniki podati svoje soglasje za shranjevanje podatkov, ki so potrebni za spletni dostop in morajo sprejeti pogoje in določila uporabe spletnega mesta. Potrdilo o registraciji, ki ga pošljemo prek e-pošte, in originalni račun, ki prikazuje datum nakupa, služita kot dokazilo o podaljšanju garanciji.
- Garancija krije vse okvare izdelka, do katerih pride v garancijskem obdobju zaradi napak v izdelavi ali materialu, ki so bile prisotne ob datumu nakupa. Garancija je omejena na popravilo in/ali zamenjavo in ne vključuje nobenih drugih obveznosti, med drugim vključno z naključno ali posledično škodo. Garancija ne velja, če je bil izdelek napačno uporabljen, uporabljen v nasprotju z navodili iz priložnice za uporabo ali če ni bil pravilno povezan. Ta garancija ne velja za:
  - škodo na izdelku, ki je posledica neustreznega vzdrževanja
  - spremenjen ali prilagojen izdelek
  - izdelek, katerega originalna identifikacijska oznaka (blagovna znamka, serijska številka) je bil poškodovan, spremenjena ali odstranjena
  - škodo, ki je posledica neupoštevanja navodil iz priložnice za uporabo
  - izdelek, ki nima oznake CE
  - izdelek, ki ga je poskušal popraviti nekvalificiran strokovnjak ali ki je bil popravljen brez predhodne odobritve s strani družbe Technonic Industries.
  - izdelek, ki je bil povezan na neustrezno napajanje (amperška moč, napetost, frekvenca)
  - izdelek, ki je bil uporabljen z neustrezno mešanico goriva (gorivo, olje, odstotek olja)
  - škodo, ki jo povzročijo zunanji vplivi (kemični, fizični, mehanski) ali tuje snovi
  - rezervne dele, ki so podvrženi običajni uporabi
  - neprimerno uporabo, preobremenitev orodja
  - uporabo neodobrenih dodatkov ali delov
  - Dodatno električno orodje, priloženo orodju ali kupljeno ločeno. Take izjeme so med drugim nastavki za izvijalce, svedri, abrazivni diski, brusni papir in rezila, stranska vodila.
  - Komponente (sestavni in rezervni deli), ki so podvrženi običajni obrabi, med drugim vključno s kompleti za servisiranje in vzdrževanje, oglikovimi krtačkami, ležaji, vpenjali, svedrni priključki SDS ali sprejemnimi odprtini za janje, napajalnimi kablji, pomožnimi ročajmi, prenosnimi kovčki, brusnimi ploščami, vreckami za prah, cevmi za izpuh prahu, tesnilni iz filca, iglami in vzmetni udarnega ključa itd.
- Za servisiranje morate izdelek poslati ali prinesiti v pooblaščen servisni center družbe RYOBI, ki je naveden za vsako državo na naslednjem seznamu naslovov servisnih centrov. V nekaterih državah se vaša lokalni posrednik družbe RYOBI obveže, da bo poslal izdelek na servis družbe RYOBI. Ko pošljete izdelek v servisni center družbe RYOBI, mora biti izdelek varno zapakiran in ne sme vsebovati nobenih nevarnih snovi, kot je npr. bencin, opremljen pa mora biti z naslovom pošiljatelja in vsebovati kratek opis napake.
- Popravilo/zamenjava v skladu s to garancijo sta brezplačni storitvi. To pa ne predstavlja podaljšanja ali ponovnega začetka garancijskega obdobja. Zamenjani deli ali orodja postanejo naša last. V nekaterih državah stroške dostave ali poštno plača pošiljatelj. Vaše zakonsko določene pravice, ki izvirajo iz nakupa orodja, ostajajo nespremenjene.
- Ta garancija velja v Evropski skupnosti, Švici, Islandiji, na Norveškem, v Lichtenštajnu, v Turčiji in Rusiji. Izven teh območij se obrnite na svojega pooblaščenega posrednika izdelkov RYOBI, dealer ki vam bo povedal, ali velja kakšna druga garancija.

### POOBLAŠČEN SERVISNI CENTER

Pooblaščen servisni center blizu vas poiščite na <http://uk.ryobitools.eu/header/service-and-support/service-agents>.

## SK ZÁRUČNÉ PODMIENKY RYOBI®

Na tento výrobok sa okrem všetkých zákonných práv, vyplývajúcich z nákupu, vzťahuje záruka v nasledovnom znení.

- Záručná doba pre spotrebiteľa je 24 mesiacov a začína plynúť odo dňa, kedy bol výrobok zakúpený. Tento dátum musí byť doložený faktúrou alebo iným dokladom o zakúpení. Výrobok je navrhnutý a určený pre spotrebiteľov a len na súkromné používanie. Preto sa záruka za neposkytuje v prípade použitia na profesionálne a komerčné účely.
- V prípade elektrického náradia (na striedavý/jednosmerný prúd AC/DC), existuje možnosť predĺženia záručnej doby oproti záručnej dobe, uvedenej vyššie, s využitím on-line registrácie na webovej stránke [www.ryobitools.eu](http://www.ryobitools.eu). Označenie na náradí o nároku na predĺženie záručnej doby je zreteľne uvedené v obchodoch a/alebo na obale a je uvedené v dokumentácii k výrobku. Koncový používateľ musí zaregistrovať svoje neregistrované náradie on-line do 30 dní odo dňa nákupu. Koncový používateľ sa môže zaregistrovať na predĺženie záruky v krajine svojho bydliska, ak je v on-line registračnom formulári uvedená táto možnosť. Ďalej musia koncoví používatelia ešte dať svoj súhlas k uchovávaniu údajov, ktoré je potrebné zadať on-line a musia súhlasiť s podmienkami. Potvrdenie o prijatí registrácie, ktorý je zasielané e-mailom a original faktúry, v ktorej je uvedený dátum nákupu, slúžia ako dôkaz o predĺžení záruky.
- Záruka sa vzťahuje na všetky poruchy výrobku v záručnej dobe, spôsobené chybami materiálu alebo spracovania k dátumu nákupu. Táto záruka je obmedzená na opravu a/alebo výmenu a nezahŕňa ďalšie povinnosti, vrátane, okrem iných, náhodné alebo následné škody. Táto záruka je neplatná, ak bol výrobok nesprávne používaný, bol používaný v rozpore s návodom na použitie alebo bol nesprávne zapojený. Táto záruka sa nevzťahuje na:
  - akékoľvek poškodenie výrobku, ktoré bolo spôsobené nesprávnou obsluhou
  - akýkoľvek výrobok, ktorý bol zmenený alebo upravený
  - akýkoľvek výrobok, na ktorom bolo poškodené, upravené alebo odstránené identifikačné označenie (ochranná známka, výrobne číslo)
  - akékoľvek škody, spôsobené neodporúčaným návodom na obsluhu
  - akýkoľvek výrobok, ktorý neobsahuje označenie CE
  - akýkoľvek výrobok, ktorý sa pokúšal opraviť nekvalifikovaný odborník alebo bol opravovaný bez predchádzajúceho súhlasu so strany spoločnosti Technonic Industries.
  - akýkoľvek výrobok, pripojený k nesprávnemu napájaciemu zdroju (ampéry, napätie, frekvencia)
  - akýkoľvek výrobok, používaný s nesprávnou palivovou zmesou (palivo, olej, percento oleja)
  - akékoľvek poškodenia, spôsobené vonkajšími vplyvmi (chemickými, fyzikálnymi, nárazmi) alebo cudzorodnými látkami
  - bežné opotrebovanie náhradných dielov
  - nevhodné používanie, preťažovanie nástroja
  - používanie neschváleného príslušenstva a dielov
  - príslušenstvo k elektrickému náradu, dodávané spolu s náradím alebo zakúpené oddelene. Takéto vytúčené sa vzťahujú, okrem iného, na násady skrutkovačov, vrtáky, brusne kôtuče, brusny papier a čepele, bočné vodiace lišty
  - Súčiastky (diely a príslušenstvo), ktoré podliehajú prirodzenému opotrebovaniu, okrem iného súpravy na servis a údržbu, uhľiky, ložiská, skľučovadlá, SDS vrtáky a príslušenstvo, príloh alebo prijímatelia, napájací kábel, pomocná rukoväť, prepravná skriňa, brusna doska, pracovné vrecko, výfuková trubica, pístené podložky, kolký a pružiny na rázový utahovač atď.
- Na opravu musí byť výrobok odoslaný alebo doručený do autorizovaného servisného strediska RYOBI, uvedeného pre každú krajinu v nasledovnom zozname adres servisných stredísk. V niektorých krajinách miestny zástupca RYOBI preberá na seba záväzok zaslať tovar do servisnej organizácie RYOBI. Pri odoslaní výrobku do servisného strediska RYOBI je potrebné výrobok bezpečne zabaliť bez akékoľvek nebezpečného obsahu, ako je bencín, s vyznačením adresy odosielateľa, s krátkym popisom poruchy.
- Oprava/výmena je vrátmi tejto záruky bezplatná. Neznamená to predĺženie záruky alebo spustenie novej záručnej doby. Vymenené diely alebo nástroje sa stávajú našim vlastníctvom. V niektorých krajinách náklady na odoslanie alebo poštovné musí zaplatiť odosielateľ. Vaše zákonné práva, vyplývajúce z nákupu náradia, zostávajú neodotknuté
- Táto záruka platí v Európskej únii, Švajčiarsku, Islande, Nórsku, Lichtenštajnsku, Turesku a Rusku. Ak sa nachádzate mimo týchto oblastí, obráťte sa na autorizovaného predajcu RYOBI na určenie, či sa dá uplatniť iná záruka.

### AUTORIZOVANÉ SERVISNÉ CENTRUM

Ak chcete nájsť najbližšie autorizované servisné centrum, navštívte stránku <http://uk.ryobitools.eu/header/service-and-support/service-agents>.

## **BG** УСЛОВИЯ ЗА ВАЛИДНОСТ НА ГАРАНЦИЯТА НА RYOBI®

В допълнение към законоустановените права, произтичащи от покупката, този продукт е обхванат от гаранция, както е изложено по-долу.

- Гаранционният срок е 24 месеца за клиенти и започва да тече от деня на закупуване на продукта. Този дата трябва да се докаже с фактура или друго доказателство за покупка. Продуктът е изработен и предназначен само за потребителска и лична употреба. Следователно не се дава гаранция в случай на използване от професионалисти или с търговска цел.
- Съществува възможност за удължаване на гаранционния срок за част от диапазона на гаранцията на електрически инструменти (AC/DC) след изчитането на описания тук чрез регистрация на уеб сайта [www.ryobitools.eu](http://www.ryobitools.eu). В магазините или на опаковката или вътре в документацията на продукта е показано ясно дали инструментът отговаря на условията за такова удължаване на гаранционния срок. Крайният потребител трябва да регистрира своите новопридобити инструменти онлайн в рамките на 30 дни от датата на покупка. Крайният потребител може да се регистрира за удължена гаранция в държавата си на пребиваване, ако е посочена във формуляра за онлайн регистрация като място, където тази опция е валидна. Освен това крайните потребители трябва да дадат съгласието си за съхранение на данните, които са задължителни за ползване онлайн, и трябва да приемат общите условия. Полученото потвърждение за регистрация, изпратено по електронна поща, и оригиналната фактура, показваща датата на покупка, ще служат като доказателство за удължената гаранция.
- Гаранцията покрива всички дефекти на продукта по време на гаранционния срок, които се дължат на проблеми в изработката или материалите към момента на покупката. Гаранцията е ограничена до ремонт или замяна и не включва други задължения, включително, но не само, случайни или косвени щети. Гаранцията е невалидна, ако продуктът е използван неправилно или в противоречие с ръководството с инструкции, както и ако е свързан неправилно. Този гаранция не важи за:
  - щети по продукта в резултат на неправилна профилировка
  - продукти, които са били изменени или модифицирани
  - продукт, при който оригиналните маркировки за идентификация (търговска марка, серийен номер) са изтрети, променени или премахнати
  - повреда, причинена от неспазване на ръководството с инструкции
  - продукт без CE маркировка
  - продукт, за който е направен опит за ремонт от неквалифициран специалист или без предварително разрешение от Techtronic Industries.
  - продукт, свързан към неподходящо електрозахранване (ампераж, волтаж, честота)
  - продукт, използван с неподходяща горивна смес (гориво, масло, процент масло)
  - щети, причинени от външни влияния (химични, физични, удари) или чужди вещества
  - нормално износване на резервни части
  - неподходяща употреба, претоварване на инструмента
  - използване на неодобрен аксесоари или части
  - Аксесоарите за електрически инструмент са предоставени с инструмента или се купуват отделно. Тези изключения включват, но не само, крайници за отвертка, свердела, абразивни дискове, шкурка и остриета, страничен водач
  - Компоненти (части и аксесоари), подложени на естествено износване, включително, но не само, комплекти за обслужване и поддръжка, карбонови четки, лагери, патронник, приставка със свердело SDS или приемо устройство, ذخравнац кабел, сломателна ръкохватка, клямпа за транспортиране, шифровъчна пластина, торба за прах, тръба за отвеждане на прах, филцови шабiji, шифрове и пружини за виноторзи и др.
- За обслужване продуктът трябва да се изпрати или занесе на авторизиран сервис на RYOBI, посочен за всяка държава в следния списък с адреси на сервиси. В някои държави местният търговец на RYOBI поема отговорността да изпрати продукта до сервизен център на RYOBI. При изпращане на продукт до сервис на RYOBI той трябва да е опакован безопасно без опасно съдържание, напр. бензин, да е маркиран с адреса на подателя и придружен от кратко описание на повредата.
- Ремонтът/замяната по силата на тази гаранция са безплатни. Те не водят до удължаване или подновяване на гаранционния срок. Сменените части или инструменти стават наша собственост. В някои държави таксите за доставка или изпращане трябва да се платят от подателя. Законоустановените ви права, произтичащи от закупуването на инструмента, остават незагаснати.
- Този гаранция е валидна в Европейската общност, Швейцария, Исландия, Норвегия, Лихтенщайн, Турция и Русия. Извън тези области се свържете с изпълномощния търговец на RYOBI, за да се установи дали е приложима друга гаранция.

### **УПЪЛНОМОЩЕН СЕРВИЗЕН ЦЕНТЪР**

За да намерите изпълномощен сервизен център близо до вас, посетете <http://uk.ryobitools.eu/header/service-and-support/service-agents>.

## **UK** ГАРАНТИЙНИ УМОВИ ДЛЯ RYOBI®

Окрім загалом установлених законом прав, що стосуються покупки, цей пристрій покривається гарантією, що зазначено нижче.

- Гарантійний період для споживачів складає 24 місяці і починається з моменту придбання цього пристрою. Ця дата повинна бути задокументована у накладній або іншому документі, що підтверджує покупку. Цей пристрій має розроблений і призначений тільки для споживчого та приватного використання. У разі професійного або комерційного використання цього пристрою, він втрачає гарантію.
- Існує можливість продовжити гарантійний період для частини лінійки електроінструментів (перемінного/постійного струму), понад період описаний вище за допомогою реєстрації на сайті [www.ryobitools.eu](http://www.ryobitools.eu). Пристрій, який має право на подовження гарантійного періоду, мають чіткі позначки щодо цього в магазинах / або на упаковок / та документі до пристрою. Кінцевий користувач повинен зареєструвати його/її новопридбаний пристрій онлайн протягом 30 днів з дати покупки. Кінцевий користувач може зареєструватися для подовження гарантійного періоду в своїй країні постійного перебування, якщо вона є доступною у відповідній опції онлайн форми реєстрації. Крім того, кінцеві користувачі повинні дати свою згоду на збирання даних, які необхідні для введення онлайн, а також вони повинні прийняти правила та умови. Отримання підтвердження реєстрації, яке відправляється на адресу електронної пошти, та оригінал накладної із зазначеною датою покупки буде слугувати доказом подовженої гарантії.
- Гарантія поширюється на всі дефекти пристрою протягом гарантійного терміну щодо недотримання стандартів виробництва або матеріалів на дату придбання. Гарантія обмежується ремонтом та/або заміною, та не включає в себе будь-яких інших зобов'язань, в тому числі, але не обмежена у разі випадкових та подальших пошкоджень. Гарантія не діє, якщо пристрій використовувався неналежним чином, всупереч інструкції за експлуатацією або був неправильно підключений до мережі. Дана гарантія не поширюється на:
  - пристрої, що були пошкоджені у результаті неправильного технічного обслуговування;
  - пристрої, що були видозмінені або модифіковані;
  - пристрої, оригінальні ідентифікаційні (товарний знак, серійний номер) маркування яких було пошкоджене, змінене або видалено;
  - будь-які пошкодження, заподіяні недотриманням інструкції за експлуатацією;
  - пристрої, що не мають маркування CE;
  - пристрої, що були відремонтовані некваліфікованим фахівцем або за відсутності попереднього дозволу від Techtronic Industries;
  - пристрої, підключені до невідповідного джерела живлення (сила току, напруга, частота);
  - пристрої, що використовувались із невідповідною паливною сумішшю (паливом, оливою, відліткою з часткою оливи);
  - будь-які пошкодження спричинені зовнішнім впливом (хімічним, фізичним, стрибком напруги) або сторонніми речовинами;
  - нормальну амортизацію запасних частин;
  - невідповідне використання, перевантаження пристрою;
  - використання невідтверджених запасних частин або аксесуарів;
  - приладдя до електроінструменту, що постачається разом з пристроєм або купуються окремо. Такі винятки враховують але не є обмеженнями для наконечників викрутко, свердел, абразивних дисків, наждачного паперу та лез, бачних напрямних
  - компоненти(частини та приладдя) з урахуванням нормального зношування, враховуючи, але без обмеження на комплекти профілактики та технічного обслуговування, вугільні щітки, підшипники, патрони, кріплення або прийоми SDS свердел, кабелі живлення, додаткові рукоятки, чохла для транспортування, шліфувальні пластини, мішки для збору пилу, трубки википу, фетрові кільця, щітки і пружини гайкостри і т.д.
- Для обслуговування, пристрій має бути відправлений або поданий до одного з авторизованих сервісних центрів RYOBI, які перелічені для кожної країни у наступному переліку адрес сервісних центрів. У деяких країнах місцевий дилер RYOBI зобов'язується відправити пристрій до сервісного центру RYOBI. При відправленні пристрою до сервісного центру RYOBI, пристрій має бути надійно упакуваний без будь-якого небезпечного вмісту, наприклад бензину, з позначеною адресою відправника та супроводжуватися коротким описом несправності.
- Ремонт / заміна відповідно до цієї гарантії здійснюється безкоштовно. Це не є основою для подовження або початку нового гарантійного періоду. Замінені частини або прилади переходять до власності компанії. У деяких країнах вартість доставки або поштові витрати повинні бути сплачені відправником. Загально встановлені права покупця на пристрій залишаються незмінними
- Ця гарантія діє в Європейському Союзі, Швейцарії, Ісландії, Норвегії, Лихтенштейні, Туреччині та Росії. За межами цих зон, будь ласка, зверніться до офіційного дилера RYOBI, щоб визначити, чи застосовується інша гарантія.

### **АВТОРИЗОВАНІ СЕРВІСНІ ЦЕНТРИ**

Для отримання оновленого переліку авторизованих сервісних центрів, відвідайте <http://uk.ryobitools.eu/header/service-and-support/service-agents>

## TR RYOBI® GARANTİ UYGULAMA KOŞULLARI

Alımdan kaynaklanan yasal haklara ek olarak, ürün aşağıda belirtilen garanti kapsamındadır.

1. Tüketiciler için 24 ay olan garanti süresi, ürünün satın alındığı tarihte başlar. Bu tarihin bir fatura ya da alım kanıtıyla belgelenmesi gerekir. Ürün sadece tüketim ve özel kullanım için geliştirilmiş ve adanmıştır. Bu nedenle, profesyonel ya da ticari kullanım halinde garanti kapsamı sağlanmaz.
2. Elektrikli el aletlerinin bir bölümü (AC/DC) için www.ryobitools.eu sayfasındaki kayıt işlemi kullanarak garantinin belirtilen süresinin ötesine uzatılma imkanı mevcuttur. Aletlerin garanti süresinin uzatılmasına uygun olup olmadığı mağazalarda ve / veya ambalajı açılmış ve kullanılmış olup, ürün dokümanlarında gösterilir. Son kullanıcıların yeni aldığı aletleri satın alma tarihini izleyen 30 gün içinde kaydettirmesi gerekir. Son kullanıcı ikamet ettiği ülkede, bu seçeneğin geçerli olduğu çevrimiçi kayıt formunda belirtilmişse, uzatılmış garanti süresi için kayıt yapılabilir. Dahası, son kullanıcıların çevrimiçi giriş için gerekli verilerin kaydedilmesine izin vermek ve hüküm ve koşulları kabul etmelidir. E-posta ile gönderilen kayıt teyit makbuzu ve alım tarihini gösteren orijinal fatura uzatılmış garantinin kanıtı olarak değerlendirilir.
3. Garanti, ürünün alım tarihindeki işçilik ve malzeme kusurları nedeniyle garanti süresi içinde oluşacak bütün arızaları kapsar. Bu garanti onarım ve değiştirilmesi sınırlı olup, tesadüf ya da dolaylı hasarlar da dahil, ancak bunlarla kısıtlı olmayan başka hiçbir taahhüdü kapsamaz. Garanti, ürünün kötü, kullanıma kılavuzuna aykırı kullanılmasından ya da yanlış bağlanmasından dolayı geçerli değildir. Bu garanti aşağıdaki kısıtlamaları kapsamaz:
  - üründe, yanlış bakımdan kaynaklanan herhangi bir hasar
  - değiştirilmiş ya da modifiye edilmiş herhangi bir ürün
  - orijinal tarama işaretleri (ticari markası, seri numarası) silinmiş, değiştirilmiş ya da kaldırılmış herhangi bir ürün
  - kullanıma kılavuzuna uymamaktan kaynaklanmış herhangi bir hasar
  - herhangi bir AT dışı ürün
  - kalifiye olmamış personel tarafından ya da önceden Techtronic Industries onayı alınmadan onarılmış herhangi bir ürün.
  - uygunsuz güç kaynağına (amper, voltaj, frekans) bağlanmış herhangi bir ürün
  - uygunsuz bir yakıt karışımıyla (yakıt, yağ, yap yüzdesi) kullanılmış herhangi bir ürün
  - harici etkenlerden (kimyasal, fiziksel, darbe) veya yabancı cisimlerden kaynaklanan her türlü hasar
  - normal aşınır ve yıpranır aksam
  - uygunsuz kullanım, aletin aşırı yüklenmesi
  - onaysız aksesuar veya parça kullanımı
  - Aletle birlikte sağlanmış ya da ayrıca alınmış elektrikli alet aksesuarları. Tornavida uçları, matkap uçları, aşındırıcı diskler, zımpara kağıdı ve bıçakları, yanıl kılavuz gibi aksamı içeren, ancak bunlarla sınırlı olmayan eklentiler
  - Servis ve Bakım kriterleri, kömür fırçaları, yataklar, kovanlar, SDS matkap uc bağlantısı ya da yuvaları, güç kablosu, yedek tutamak, nakliye ve taşıma kutusu, kutulama plakası, toz torbası, toz egzoz borusu, keçe rondelalar, Darbeli Tornavida Pim ve yayları vb. gibi parçaları kapsayan, ancak bunlarla sınırlı olmayan, aşınma ve yıpranmaya tabi bileşenler (aksam ve aksesuarlar).
4. Ürünün servis için her ülkede aşağıdaki servis istasyonları adres listesinde yer alan yetkili bir RYOBI servis istasyonuna gönderilmesi ya götürülmesi gereklidir. Başlı ülkelerde, yerel RYOBI distribütörünüz ürünü RYOBI servis teşkilatına göndermeyi üstlenir. Bir ürün bir RYOBI servis istasyonuna gönderilirken, ürünün güvenli bir biçimde ambalajlanması, benzin gibi tehlikeli maddeler içermemesi, gönderenin adresini taşıması ve arızanın kısa bir açıklamasını içermesi gerekir.
5. Bu garanti kapsamında yapılacak onarım / değişiklik ücretsizdir. Garanti süresinin uzatılması ya da yeniden başlatılması anlamına gelmez. Değiştirilmiş parçalar veya aletler bize ait olur. Bazı ülkelerde teslimat ücretleri veya posta giderlerinin gönderici tarafından ödenmesi gerekir. Alımdan kaynaklanan yasal haklarınızı etkilemez.
6. Bu Garanti Avrupa Topluluğu, İsviçre, İzlanda, Norveç, Liechtenstein, Türkiye ve Rusya'da geçerlidir. Bu alanların dışında, başka bir garantinin geçerli olup olmadığını belirlemek için lütfen yetkili RYOBI distribütörünüzle iletişime geçin.

### YETKİLİ SERVİS MERKEZİ

En yakın yetkili servis merkezini öğrenmek için <http://uk.ryobitools.eu/header/service-and-support/service-agents> sitesine girin.

## EL ÖROPI ΕΦΑΡΜΟΓΗΣ ΤΩΝ ΠΡΟΫΠΟΘΕΣΕΩΝ ΕΓΓΥΗΣΗΣ ΤΗΣ RYOBI®

Εκτός από τα νόμιμα δικαιώματα, τα οποία προκύπτουν από την αγορά, το προϊόν καλύπτεται από εγγύηση, λεπτομερέστερα της οποίας ακολουθούν οι συνθήκες.

1. Η διάρκεια της εγγύησης για τους καταναλωτές είναι 24 μήνες και αρχίζει από την ημερομηνία αγοράς. Η ημερομηνία θα πρέπει να αναγράφεται στην απόδειξη ή σε άλλο αποδεικτικό αγοράς. Το προϊόν έχει σχεδιαστεί και προορίζεται αποκλειστικά για οικιακή χρήση από καταναλωτές. Συνεπώς, δεν παρέχεται εγγύηση σε περιπτώσεις επαγγελματικής ή εμπορικής χρήσης.
2. Υπάρχει η δυνατότητα επέκτασης της εγγύησης για ορισμένα ηλεκτρικά εργαλεία (AC/DC), πέραν του παραπάνω αναφερόμενου χρονικού διαστήματος, μέσω εγγραφής στο δικτυακό τόπο [www.ryobitools.eu](http://www.ryobitools.eu). Η επέκταση αφορά στην εργαλεία με δυνατότητα επέκτασης της περιόδου εγγύησης αναγράφεται ρητά στα καταστήματα και/ή επάνω στη συσκευασία, ενώ περιέχεται στην τεκμηρίωση του προϊόντος. Το τελικό χρήστη θα πρέπει να καταχωρίσει τα προσωπικά αποκτηθέντα εργαλεία online, εντός 30 ημερών από την ημερομηνία αγοράς. Ο τελικός χρήστης μπορεί να εγγραφεί για την επέκταση εγγύησης στη χώρα κατοικίας, εφόσον αυτή περιλαμβάνεται στο online έντυπο εγγραφής, εάν υπάρχει η δυνατότητα επέκτασης. Επιπλέον, οι τελικοί χρήστες θα πρέπει να παρέχουν τη συγκατάθεσή τους για την αποθήκευση των στοιχείων τους, τα οποία οφείλουν να καταχωριστούν online, όπως και να αποδεχθούν τον όρο και τις προϋποθέσεις. Η απόδειξη επιβεβαίωσης της εγγραφής, η οποία αποστέλλεται μέσω email, και η πρωτότυπη απόδειξη αγοράς, η οποία αναγράφει την ημερομηνία αγοράς, αποτελούν αποδεικτικά της παρατεταμένης εγγύησης.
3. Η εγγύηση καλύπτει όλα τα ελαττώματα του προϊόντος, κατά τη διάρκεια της περιόδου εγγύησης, λόγω κατασκευαστικών ελαττωμάτων ή αστοχίας υλικού κατά την ημερομηνία αγοράς. Η εγγύηση επισκευάζει στην επισκευή και/ή την αντικατάσταση και δεν περιλαμβάνει καμία άλλη υποχρέωση, συμπεριλαμβανομένων, ενδεικτικά, συμπληρωμάτων ή παρεπιπέμων ζημιών. Η εγγύηση δεν καλύπτει ζημίες εφόσον, και σημειωθεί κακομεταχείριση του προϊόντος, δεν έχουν τηρηθεί οι οδηγίες του χειριστή/οδηγών ή το προϊόν έχει συνδεθεί λανθασμένα. Η εγγύηση δεν ισχύει για:
  - οποιαδήποτε ζημία στο προϊόν, η οποία είναι αποτέλεσμα κακής συντήρησης
  - οποιαδήποτε προϊόν, το οποίο έχει αλλοιωθεί ή τροποποιηθεί
  - οποιαδήποτε προϊόν, στο οποίο έχει αλλοιωθεί ή αφαιρεθεί το γνήσιο αναγνωριστικό (σήμα κατατεθέν, σειριακός αριθμός)
  - οποιαδήποτε ζημία προκλήθηκε λόγω μη τήρησης του χειριστή/οδηγών
  - οποιαδήποτε προϊόν χωρίς σήμανση CE
  - οποιαδήποτε προϊόν, στο οποίο έχει γίνει προσπάθεια επισκευής από μη καταρτισμένο επαγγελματία ή χωρίς την προηγούμενη έγκριση της Techtronic Industries.
  - οποιαδήποτε προϊόν, το οποίο έχει συνδεθεί σε ακατάλληλη παροχή ρεύματος (σπίρτα, ισχύ, συχνότητα)
  - οποιαδήποτε προϊόν, το οποίο έχει χρησιμοποιηθεί με ακατάλληλο μείγμα καυσίμου (καύσιμο, λάδι, ποσοστό λαδιού)
  - οποιαδήποτε ζημία έχει προκληθεί από εξωτερικές επιδράσεις (χημικές, φυσικές, κλιματισμούς) ή ξένες ουσίες
  - φυσιολογική φθορά και ρήξη ανταλλακτικών
  - ακατάλληλη χρήση, υπερφόρτωση του εργαλείου
  - χρήση μη ενδεδειγμένων εξαρτημάτων ή ανταλλακτικών
  - Εξαρτήματα ηλεκτρικών εργαλείων που παραστέθηκαν με το εργαλείο ή αγοράστηκαν ξεχωριστά. Τέτοιες εξαιρέσεις περιλαμβάνουν, ενδεικτικά, μύτες καταβροβίου, τρυπάνια, δίσκους λείανσης, γυαλοχάρτι και λειπίδες, πλάκωκα οδηγό
  - Εξαρτήματα (ανταλλακτικά και αξεσουάρ) που υπόκεινται σε φυσική φθορά και θραύση, συμπεριλαμβανομένων, ενδεικτικά, σετ επισκευής & συντήρησης, ψηκτρών άνθρακα, εφεδρώνων, τσάκ, εξαρτημάτων ή υποδοχών τρυπανιών SDS, καλωδίων ισχύος, βοηθητικής λαβής, βαλίτσας μεταφοράς, βάσης τριβείου, σακούλας συλλογής σκόνης, σωλήνα εξαγωγής σκόνης, ροδελών τσάκας, μυτιών και ελατρίων κροστικού κλειδιού κοχλίων, κτλ.
4. Το προϊόν θα πρέπει να αποσταλεί ή να παραδοθεί για επισκευή ή συντήρηση σε εξουσιοδοτημένο σημείο σέρβις της RYOBI που περιλαμβάνεται στον ακόλουθο κατάλογο κλειδιών αναφοράς για κάθε χώρα. Σε ορισμένες χώρες, το τοπικό σημείο πώλησης της RYOBI αναλαμβάνει την αποστολή του προϊόντος στο κεντρικό σέρβις της RYOBI. Κατά την αποστολή ενός προϊόντος σε σημείο σέρβις της RYOBI, αυτό θα πρέπει να είναι ασφαλώς συσκευασμένο, χωρίς επικίνδυνο περιεχόμενο, όπως, πετρέλαιο, να φέρει τη διεύθυνση του αποστολέα και να συνοδεύεται από σύντομη περιγραφή της βλάβης.
5. Η επιδιόρθωση / αντικατάσταση υπό την παρούσα εγγύηση παρέχεται δωρεάν. Δε συνιστά παράταση της περιόδου εγγύησης ή εκκίνηση νέας περιόδου εγγύησης. Τα μέρη που αντικαθίστανται περιέρχονται στην κυριότητα μας. Σε ορισμένες χώρες, τα ενδεχόμενα έξοδα παράδοσης ή μεταφοράς βαρύνουν τον αποστολέα. Τα νόμιμα δικαιώματά σας, τα οποία απορρέουν από την αγορά του εργαλείου, δεν θίγονται.
6. Η παρούσα εγγύηση ισχύει στην Ευρωπαϊκή Κοινότητα, την Ελβετία, την Ισπανία, τη Νορβηγία, το Λιχτενστάιν, την Τουρκία και την Ρωσία. Εκτός των παραπάνω περιοχών, σας παρακαλούμε να επικοινωνήσετε με εξουσιοδοτημένο κατάστημα πώλησης της RYOBI, προκειμένου να διαπιστωθεί ένα ισχύει κάποια άλλη εγγύηση.

### ΕΞΟΥΣΙΟΔΟΤΗΜΕΝΟ ΚΕΝΤΡΟ ΣΕΡΒΙΣ

Για να εντοπίσετε ένα εξουσιοδοτημένο κέντρο σέρβις στην περιοχή σας, επισκεφτείτε τη σελίδα <http://uk.ryobitools.eu/header/service-and-support/service-agents>.



## EN EC DECLARATION OF CONFORMITY

Techtronic Industries GmbH  
Max-Eyth-Straße 10, 71364 Winnenden, Germany

Herewith we declare that the product

Band saw  
Brand: Ryobi  
Model number: RBS904  
Serial number range: 46204501000001 - 46204501999999

is in conformity with the following European Directives and harmonised standards  
2006/42/EC, 2014/30/EU, 2011/65/EU,  
EN 55014-1:2006+A1:2009+A2:2011; EN55014-2: 2015;  
EN 61000-3-2:2014; EN 61000-3-3:2013;  
EN61029-1:2009+A11:2010; EN61029-2-5:2011+A11:2015

Notified body 2140, DEKRA Testing and Certification GmbH Enderstraße 92b  
01277 Dresden Germany, has carried out EC type approval, and the certificate  
no. is 4812015.16003.

RoHS documentation is compiled according to EN 50581:2012.



Andrew John Eyre (BEng, CEng, MIET)  
Vice President, Regulatory & Safety  
Winnenden, Oct. 13, 2016

Authorised to compile the technical file:  
Alexander Krug, Managing Director  
Techtronic Industries GmbH  
Max-Eyth-Straße 10, 71364 Winnenden, Germany

## DE EG KONFORMITÄTSERKLÄRUNG

Techtronic Industries GmbH  
Max-Eyth-Straße 10, 71364 Winnenden, Germany

Hiermit erklären wir, dass das Produkt

Bandsäge  
Marke: Ryobi  
Modellnummer: RBS904  
Seriennummernbereich: 46204501000001 - 46204501999999

den folgenden europäischen Richtlinien und harmonisierten Normen entspricht  
2006/42/EC, 2014/30/EU, 2011/65/EU,  
EN 55014-1:2006+A1:2009+A2:2011; EN55014-2: 2015;  
EN 61000-3-2:2014; EN 61000-3-3:2013;  
EN61029-1:2009+A11:2010; EN61029-2-5:2011+A11:2015

Benannte Stelle 2140, DEKRA Testing and Certification GmbH Enderstraße 92b  
01277 Dresden Germany, hat die EC Typen-Überprüfung durchgeführt und die  
Zertifikatnummer lautet 4812015.16003 .

RoHS Dokumentation ist gemäß EN 50581:2012 zusammengestellt.



Andrew John Eyre (BEng, CEng, MIET)  
Vizepräsident, Vorschriften und Sicherheit  
Winnenden, Oct. 13, 2016

Autorisiert die technische Datei zu erstellen:  
Alexander Krug, Geschäftsführer  
Techtronic Industries GmbH  
Max-Eyth-Straße 10, 71364 Winnenden, Germany

## FR DÉCLARATION DE CONFORMITÉ EC

Techtronic Industries GmbH  
Max-Eyth-Straße 10, 71364 Winnenden, Germany

Déclarons par la présente que le produit

Scie à ruban  
Marque: Ryobi  
Numéro de modèle: RBS904  
Étendue des numéros de série: 46204501000001 - 46204501999999

est conforme aux Directives Européennes et Normes Harmonisées suivantes  
2006/42/EC, 2014/30/EU, 2011/65/EU,  
EN 55014-1:2006+A1:2009+A2:2011; EN55014-2: 2015;  
EN 61000-3-2:2014; EN 61000-3-3:2013;  
EN61029-1:2009+A11:2010; EN61029-2-5:2011+A11:2015

L'organisme notifié 2140, DEKRA Testing and Certification GmbH Enderstraße  
92b 01277 Dresden Germany, a validé la conformité EC, et le No de certificat est  
4812015.16003 .

La documentation RoHS a été dressée d'après EN 50581:2012.



Andrew John Eyre (BEng, CEng, MIET)  
Vice-Président, Réglementation & Sécurité  
Winnenden, Oct. 13, 2016

Autorisé à rédiger le dossier technique:  
Alexander Krug, Directeur Général  
Techtronic Industries GmbH  
Max-Eyth-Straße 10, 71364 Winnenden, Germany

## ES DECLARACIÓN EC DE CONFORMIDAD

Techtronic Industries GmbH  
Max-Eyth-Straße 10, 71364 Winnenden, Germany

Por la presente declaramos que los productos

Sierra de cinta  
Marca: Ryobi  
Número de modelo: RBS904  
Intervalo del número de serie: 46204501000001 - 46204501999999

se encuentra en conformidad con las siguientes Directivas Europeas y normas  
armonizadas  
2006/42/EC, 2014/30/EU, 2011/65/EU,  
EN 55014-1:2006+A1:2009+A2:2011; EN55014-2: 2015;  
EN 61000-3-2:2014; EN 61000-3-3:2013;  
EN61029-1:2009+A11:2010; EN61029-2-5:2011+A11:2015

El organismo notificado 2140, DEKRA Testing and Certification GmbH Enderstraße  
92b 01277 Dresden Germany, ha llevado a cabo la homologación de tipo EC, y el  
n.º de certificado es 4812015.16003 .

Documentación sobre restricción de sustancias peligrosas (RoHS) recopilada  
según la norma EN 50581:2012.



Andrew John Eyre (BEng, CEng, MIET)  
Vicepresidente, Director General de Normativa y Seguridad  
Winnenden, Oct. 13, 2016

Autorizado para elaborar la ficha técnica:  
Alexander Krug, Administrador Ejecutivo  
Techtronic Industries GmbH  
Max-Eyth-Straße 10, 71364 Winnenden, Germany





**IT DICHIARAZIONE DI CONFORMITÀ EC**

Techtronic Industries GmbH  
Max-Eyth-Straße 10, 71364 Winnenden, Germany

*Si dichiara con la presente che il prodotto*

Sega a nastro  
Marca: Ryobi  
Numero modello: RBS904  
Gamma numero seriale: 46204501000001 - 46204501999999

*è conforme alle seguenti Direttive Europee e ai seguenti standard armonizzati*

2006/42/EC, 2014/30/EU, 2011/65/EU,  
EN 55014-1:2006+A1:2009+A2:2011; EN55014-2: 2015;  
EN 61000-3-2:2014; EN 61000-3-3:2013;  
EN61029-1:2009+A11:2010; EN61029-2-5:2011+A11:2015

Ente notificatore 2140, DEKRA Testing and Certification GmbH Enderstraße 92b  
01277 Dresden Germany, ha svolto i test di conformità EC e il N. del certificato  
è 4812015.16003 .

La documentazione RoHS è stata compilata come indicato dalle norme EN  
50581:2012.

Andrew John Eyre (BEng, CEng, MIET)  
Vice-Presidente, Dipartimento Regolazioni & Sicurezza  
Winnenden, Oct. 13, 2016

Autorizzato per compilare il file tecnico:

Alexander Krug, Direttore Amministrativo  
Techtronic Industries GmbH  
Max-Eyth-Straße 10, 71364 Winnenden, Germany



**PT DECLARAÇÃO EC DE CONFORMIDADE**

Techtronic Industries GmbH  
Max-Eyth-Straße 10, 71364 Winnenden, Germany

*Pelo presente declaramos que os produtos*

Serra de fita  
Marca: Ryobi  
Número do modelo: RBS904  
Intervalo do número de série: 46204501000001 - 46204501999999

*se encontra em conformidade com as seguintes Directivas Europeias e normas harmozizadas*

2006/42/EC, 2014/30/EU, 2011/65/EU,  
EN 55014-1:2006+A1:2009+A2:2011; EN55014-2: 2015;  
EN 61000-3-2:2014; EN 61000-3-3:2013;  
EN61029-1:2009+A11:2010; EN61029-2-5:2011+A11:2015

Órgão notificado 2140, DEKRA Testing and Certification GmbH Enderstraße 92b  
01277 Dresden Germany, realizou a aprovação tipo EC, e o certificado é o N°  
4812015.16003 .

Documentação sobre restrição de substâncias perigosas (RoHS) compilada  
segundo a norma EN 50581:2012.

Andrew John Eyre (BEng, CEng, MIET)  
Vice-Presidente, Regulamento & Segurança  
Winnenden, Oct. 13, 2016

Autorizado para compilar o ficheiro técnico:

Alexander Krug, Administrador Executivo  
Techtronic Industries GmbH  
Max-Eyth-Straße 10, 71364 Winnenden, Germany



**NL EC CONFORMITEITSVERKLARING**

Techtronic Industries GmbH  
Max-Eyth-Straße 10, 71364 Winnenden, Germany

*Hierbij verklaren wij dat het product*

Bandzaag  
Merk: Ryobi  
Modelnummer: RBS904  
Serienummerbereik: 46204501000001 - 46204501999999

*is in overeenstemming met de volgende Europese Richtlijnen en geharmoniseerde normen*

2006/42/EC, 2014/30/EU, 2011/65/EU,  
EN 55014-1:2006+A1:2009+A2:2011; EN55014-2: 2015;  
EN 61000-3-2:2014; EN 61000-3-3:2013;  
EN61029-1:2009+A11:2010; EN61029-2-5:2011+A11:2015

Aangemelde instantie 2140, DEKRA Testing and Certification GmbH Enderstraße  
92b 01277 Dresden Germany, heeft de EC-typegoedkeuring uitgevoerd en het  
certificaatnr. is. 4812015.16003 .

RoHS-documentatie is samengesteld in overeenstemming met EN 50581:2012.

Andrew John Eyre (BEng, CEng, MIET)  
Vice-president, Regelgeving en Veiligheid  
Winnenden, Oct. 13, 2016

Afgevaardigde voor het samenstellen van de technische fiche:

Alexander Krug, Directeur  
Techtronic Industries GmbH  
Max-Eyth-Straße 10, 71364 Winnenden, Germany



**DA EC OVERENSSTEMMELSESERKLÆRING**

Techtronic Industries GmbH  
Max-Eyth-Straße 10, 71364 Winnenden, Germany

*Vi erklærer hermed, at produktet*

Bandsav  
Brand: Ryobi  
Modelnummer: RBS904  
Serienummerområde: 46204501000001 - 46204501999999

*er i overensstemmelse med følgende EU-direktiver og harmoniserede standarder*

2006/42/EC, 2014/30/EU, 2011/65/EU,  
EN 55014-1:2006+A1:2009+A2:2011; EN55014-2: 2015;  
EN 61000-3-2:2014; EN 61000-3-3:2013;  
EN61029-1:2009+A11:2010; EN61029-2-5:2011+A11:2015

Bemyndiget organ 2140, DEKRA Testing and Certification GmbH Enderstraße  
92b 01277 Dresden Germany, har foretaget EC-typegodkendelse, og  
certifikatnummeret er 4812015.16003 .

RoHS-dokumentationen er udarbejdet i henhold til EN 50581:2012.

Andrew John Eyre (BEng, CEng, MIET)  
Vicepræsident, Regler og Sikkerhed  
Winnenden, Oct. 13, 2016

Bemyndiget til at udarbejde det tekniske kartotek:

Alexander Krug, Administrerende Direktør  
Techtronic Industries GmbH  
Max-Eyth-Straße 10, 71364 Winnenden, Germany







## SV EC-KONFORMITETSDEKLARATION

Technronic Industries GmbH  
Max-Eyth-Straße 10, 71364 Winnenden, Germany

### Härmed deklarerar vi att produkterna

Bandsåg  
Märke: Ryobi  
Modellnummer: RBS904  
Serienummerintervall: 46204501000001 - 4620450199999

### är i enlighet med följande EU-direktiv och harmoniserade standarder

2006/42/EC, 2014/30/EU, 2011/65/EU,  
EN 55014-1:2006+A1:2009+A2:2011; EN55014-2: 2015;  
EN 61000-3-2:2014; EN 61000-3-3:2013;  
EN61029-1:2009+A11:2010; EN61029-2-5:2011+A11:2015

Anmält organ 2140, DEKRA Testing and Certification GmbH Enderstraße 92b 01277 Dresden Germany, har utfört EC-typgodkännandet och certifikatnumret är 4812015.16003 .

RoHS-dokumentation sammanställd enligt EN 50581:2012.

Andrew John Eyre (BEng, CEng, MIET)  
Vice President, Regelverk och Säkerhet  
Winnenden, Oct. 13, 2016



### Godkänd att sammanställa den tekniska filen:

Alexander Krug, VD  
Technronic Industries GmbH  
Max-Eyth-Straße 10, 71364 Winnenden, Germany

## NO EC-SAMSVARSERKLÆRING

Technronic Industries GmbH  
Max-Eyth-Straße 10, 71364 Winnenden, Germany

### Herved erklærer vi at produktet

Bandsag  
Märke: Ryobi  
Modellnummer: RBS904  
Serienummerserie: 46204501000001 - 4620450199999

### er i samsvar med følgende europeiske direktiver og harmoniserte standarder

2006/42/EC, 2014/30/EU, 2011/65/EU,  
EN 55014-1:2006+A1:2009+A2:2011; EN55014-2: 2015;  
EN 61000-3-2:2014; EN 61000-3-3:2013;  
EN61029-1:2009+A11:2010; EN61029-2-5:2011+A11:2015

Teknisk kontrollorgan 2140, DEKRA Testing and Certification GmbH Enderstraße 92b 01277 Dresden Germany, har gjennomført EC typegodkjenning, og sertifikatnummeret er 4812015.16003 .

RoHS dokumentasjonen er skrevet i samsvar med EN 50581:2012.

Andrew John Eyre (BEng, CEng, MIET)  
Visepresident, Forskrifter og Sikkerhet  
Winnenden, Oct. 13, 2016



### Autorisert til å sette sammen den tekniske filen:

Alexander Krug, Administrerende Direktør  
Technronic Industries GmbH  
Max-Eyth-Straße 10, 71364 Winnenden, Germany



## FI EC-SÄÄNNÖSTEN NOUDATTAMINEN

Technronic Industries GmbH  
Max-Eyth-Straße 10, 71364 Winnenden, Germany

### Ilmoitamme täten, että tuotteet

Vannesaha  
Tuotemerkki: Ryobi  
Sarjanumero: RBS904  
Sarjanumeroalue: 46204501000001 - 4620450199999

### noudattaa seuraavia EU-direktiivejä ja harmonoituja standardeja

2006/42/EC, 2014/30/EU, 2011/65/EU,  
EN 55014-1:2006+A1:2009+A2:2011; EN55014-2: 2015;  
EN 61000-3-2:2014; EN 61000-3-3:2013;  
EN61029-1:2009+A11:2010; EN61029-2-5:2011+A11:2015

Ilmoituksen saanut elin 2140, DEKRA Testing and Certification GmbH Enderstraße 92b 01277 Dresden Germany, on suorittanut EC-tyyppisen hyväksynnän, ja todistuksen numero on 4812015.16003 .

RoHS-dokumentaatio on koottu standardin EN 50581:2012 mukaisesti.

Andrew John Eyre (BEng, CEng, MIET)  
Varatoimitusjohtaja, Säästöstenmukaisuus ja Turvallisuus  
Winnenden, Oct. 13, 2016



### Valluutettu kokoomaan tekninen tiedosto:

Alexander Krug, Toimitusjohtaja  
Technronic Industries GmbH  
Max-Eyth-Straße 10, 71364 Winnenden, Germany



## RU ЗАЯВЛЕНИЕ О СООТВЕТСТВИИ ТРЕБОВАНИЯМ ЕС

Technronic Industries GmbH  
Max-Eyth-Straße 10, 71364 Winnenden, Germany

### Настоящим мы заявляем, что данный продукт

Ленточная пила  
Марка: Ryobi  
Номер модели: RBS904  
Диапазон заводских номеров: 46204501000001 - 4620450199999

### соответствует требованиям следующих Директив ЕС и согласованных стандартов

2006/42/EC, 2014/30/EU, 2011/65/EU,  
EN 55014-1:2006+A1:2009+A2:2011; EN55014-2: 2015;  
EN 61000-3-2:2014; EN 61000-3-3:2013;  
EN61029-1:2009+A11:2010; EN61029-2-5:2011+A11:2015

DEKRA Testing and Certification GmbH Enderstraße 92b 01277 Dresden Germany, выполнила утверждение типового образца по стандарту ЕС, номер сертификата 4812015.16003 .

Документация RoHS соответствует стандарту EN 50581:2012.

Andrew John Eyre (BEng, CEng, MIET)  
Вице-Президент По Технике Безопасности И Стандартам  
Winnenden, Oct. 13, 2016



### Лицо, ответственное за подготовку технической документации:

Alexander Krug, Директор  
Technronic Industries GmbH  
Max-Eyth-Straße 10, 71364 Winnenden, Germany





## PL DEKLARACJA ZGODNOŚCI EC

Techtronic Industries GmbH  
Max-Eyth-Straße 10, 71364 Winnenden, Germany

*Niniejszym deklarujemy, że produkty*

Pilarka taśmowa  
Marka: Ryobi  
Numer modelu: RBS904  
Zakres numerów seryjnych: 46204501000001 - 46204501999999

*jest zgodny z następującymi dyrektywami europejskimi i zharmonizowanymi normami*

2006/42/EC, 2014/30/EU, 2011/65/EU,  
EN 55014-1:2006+A1:2009+A2:2011; EN55014-2: 2015;  
EN 61000-3-2:2014; EN 61000-3-3:2013;  
EN61029-1:2009+A11:2010; EN61029-2-5:2011+A11:2015

Jednostka notyfikowana 2140, DEKRA Testing and Certification GmbH Enderstraße 92b 01277 Dresden Germany, potwierdziła zgodność z dyrektywami EC, nr certyfikat 4812015.16003 .

Dokumentacja RoHS została opracowana zgodnie z normą EN 50581:2012.

Andrew John Eyre (BEng, CEng, MIET)  
Wiceprezes ds. Zgodności Prawnej i Bezpieczeństwa  
Winnenden, Oct. 13, 2016

Osoba upoważniona do sporządzenia dokumentu technicznego:

Alexander Krug, Dyrektor Zarządzający  
Techtronic Industries GmbH  
Max-Eyth-Straße 10, 71364 Winnenden, Germany

## HU EC MEGFELELŐSÉGI NYILATKOZAT

Techtronic Industries GmbH  
Max-Eyth-Straße 10, 71364 Winnenden, Germany

*Ezúton kijelentjük, hogy a termékek*

Szalagfűrész  
Márka: Ryobi  
Típusszám: RBS904  
Sorozatszám tartomány: 46204501000001 - 46204501999999

*megfelel az alábbi Európai Irányelvek és harmonizált szabványok vonatkozó rendelkezéseinek*

2006/42/EC, 2014/30/EU, 2011/65/EU,  
EN 55014-1:2006+A1:2009+A2:2011; EN55014-2: 2015;  
EN 61000-3-2:2014; EN 61000-3-3:2013;  
EN61029-1:2009+A11:2010; EN61029-2-5:2011+A11:2015

Az EC típusjóváhagyási eljárást a 2140, DEKRA Testing and Certification GmbH Enderstraße 92b 01277 Dresden Germany, alatti tanúsító testület végezte; a tanúsítvány száma 4812015.16003 .

A RoHS dokumentáció összeállítása az EN 50581:2012 szerint történt.

Andrew John Eyre (BEng, CEng, MIET)  
Alelnök, Megfelelőségi és Biztonsági Területek  
Winnenden, Oct. 13, 2016

A műszaki dokumentáció összeállítására felhatalmazott:

Alexander Krug, Ügyvezető Igazgató  
Techtronic Industries GmbH  
Max-Eyth-Straße 10, 71364 Winnenden, Germany



## CS PROHLÁŠENÍ O SHODĚ EC

Techtronic Industries GmbH  
Max-Eyth-Straße 10, 71364 Winnenden, Germany

*Tímto prohlašujeme, že výrobky*

Pásová píla  
Značka: Ryobi  
Číslo modelu: RBS904  
Rozsah sériových čísel: 46204501000001 - 46204501999999

*že tento výrobek je v souladu s evropskými a harmonizovanými standardy*

2006/42/EC, 2014/30/EU, 2011/65/EU,  
EN 55014-1:2006+A1:2009+A2:2011; EN55014-2: 2015;  
EN 61000-3-2:2014; EN 61000-3-3:2013;  
EN61029-1:2009+A11:2010; EN61029-2-5:2011+A11:2015.

Úředně oznámený orgán 2140, DEKRA Testing and Certification GmbH Enderstraße 92b 01277 Dresden Germany, provedl typovou zkoušku EC a vystavil osvědčení č 4812015.16003 .

RoHS dokumentace sestavena dle EN 50581:2012.

Andrew John Eyre (BEng, CEng, MIET)  
Viceprezident, Normy a Bezpečnost  
Winnenden, Oct. 13, 2016

Pověření ke kompilaci technického souboru:

Alexander Krug, Generální Reditel  
Techtronic Industries GmbH  
Max-Eyth-Straße 10, 71364 Winnenden, Germany

## RO DECLARAȚIE DE CONFORMITATE EC

Techtronic Industries GmbH  
Max-Eyth-Straße 10, 71364 Winnenden, Germany

*Prin prezenta, declarăm că produsele*

Fierăstrău cu bandă  
Marcă: Ryobi  
Număr serie: RBS904  
Gamă număr serie: 46204501000001 - 46204501999999

*este în conformitate cu următoarele Directive Europene și standarde armonizate*

2006/42/EC, 2014/30/EU, 2011/65/EU,  
EN 55014-1:2006+A1:2009+A2:2011; EN55014-2: 2015;  
EN 61000-3-2:2014; EN 61000-3-3:2013;  
EN61029-1:2009+A11:2010; EN61029-2-5:2011+A11:2015

Agentia notificată 2140, DEKRA Testing and Certification GmbH Enderstraße 92b 01277 Dresden Germany, a efectuat o procedură de aprobare tip EC, iar nr. certificatului este 4812015.16003 .

Documentația RoHS este întocmită în conformitate cu EN 50581:2012.

Andrew John Eyre (BEng, CEng, MIET)  
Vicepreședintele, Reglementare & Siguranță  
Winnenden, Oct. 13, 2016

Autorizat să completeze fișa tehnică:

Alexander Krug, Director General  
Techtronic Industries GmbH  
Max-Eyth-Straße 10, 71364 Winnenden, Germany



**LV EC ATBILSTĪBAS DEKLARĀCIJA**

Techtronic Industries GmbH  
Max-Eyth-Straße 10, 71364 Winnenden, Germany

Ar šo paziņojam, ka produkti  
Lentzāģis  
Zīmols: Ryobi  
Modeļa numurs: RBS904  
Sērijas numura intervāls: 46204501000001 - 46204501999999

atbilst šādām Eiropas direktīvām un saskaņotajiem standartiem  
2006/42/EC, 2014/30/EU, 2011/65/EU,  
EN 55014-1:2006+A1:2009+A2:2011; EN55014-2: 2015;  
EN 61000-3-2:2014; EN 61000-3-3:2013;  
EN61029-1:2009+A11:2010; EN61029-2-5:2011+A11:2015

Informētā iestāde 2140, DEKRA Testing and Certification GmbH Enderstraße  
92b 01277 Dresden Germany, ir veikusi EC tipa pārbaudi, un sertifikāta Nr. IR  
4812015.16003 .

RoHS dokumentācija ir izstrādāta saskaņā ar EN 50581:2012.

**CE**

Andrew John Eyre (BEng, CEng, MIET)  
Viceprezidents, Darba Drošības Noteikumi  
Winnenden, Oct. 13, 2016

Pilnvarots sastādīt tehnisko failu:  
Alexander Krug, Izpildedzinātors  
Techtronic Industries GmbH  
Max-Eyth-Straße 10, 71364 Winnenden, Germany

**ET EC VASTAVUSDEKLARATSIOON**

Techtronic Industries GmbH  
Max-Eyth-Straße 10, 71364 Winnenden, Germany

Kinnitame, et see toode  
Lintsaag  
Mark: Ryobi  
Mudeli number: RBS904  
Seerianumbri vahemik: 46204501000001 - 46204501999999

vastab järgmistele Euroopa direktiividele ja harmoniseeritud standarditele  
2006/42/EC, 2014/30/EU, 2011/65/EU,  
EN 55014-1:2006+A1:2009+A2:2011; EN55014-2: 2015;  
EN 61000-3-2:2014; EN 61000-3-3:2013;  
EN61029-1:2009+A11:2010; EN61029-2-5:2011+A11:2015

Tunnustatud asutus 2140, DEKRA Testing and Certification GmbH Enderstraße  
92b 01277 Dresden Germany, on läbi viinud EC tüübikinnitustoimingud ja välja  
andnud sertifikaadi nr 4812015.16003 .

RoHS dokumentid on koostatud vastavuses standardi EN 50581:2012 nõuetele.

**CE**

Andrew John Eyre (BEng, CEng, MIET)  
Asepresident Standardiseerimise Ja Ohutuse Alal  
Winnenden, Oct. 13, 2016

Tehnilise faili koostamiseks volitatud isik:  
Alexander Krug, Tegevdirektor  
Techtronic Industries GmbH  
Max-Eyth-Straße 10, 71364 Winnenden, Germany

**LT EC ATITIKTIES PAREIŠKIMAS**

Techtronic Industries GmbH  
Max-Eyth-Straße 10, 71364 Winnenden, Germany

Mes pareiškiamo, kad šie produktai  
Juostinis pjūklas  
Prekės ženklas: Ryobi  
Modelio numeris: RBS904  
Serijinio numerio diapazonas: 46204501000001 - 46204501999999

pagamintas laikantis toliau nurodytųjų Europos Direktyvų ir darniųjų standartų  
2006/42/EC, 2014/30/EU, 2011/65/EU,  
EN 55014-1:2006+A1:2009+A2:2011; EN55014-2: 2015;  
EN 61000-3-2:2014; EN 61000-3-3:2013;  
EN61029-1:2009+A11:2010; EN61029-2-5:2011+A11:2015

Notifikuoti įstaiga 2140, DEKRA Testing and Certification GmbH Enderstraße  
92b 01277 Dresden Germany, atliko EC tipo patvirtinimą. Pažymėjimo numeris  
4812015.16003 .

Tam tikrų pavojingų medžiagų naudojimo elektros ir elektroninėje įrangoje apri  
bojimo dokumentai sudaryti pagal standartą EN 50581:2012.

**CE**

Andrew John Eyre (BEng, CEng, MIET)  
Kontrolės Ir Saugos Viceprezidentas  
Winnenden, Oct. 13, 2016

Igaliautas sudaryti techninį failą:  
Alexander Krug, Generalinis Direktorius  
Techtronic Industries GmbH  
Max-Eyth-Straße 10, 71364 Winnenden, Germany

**HR EC IZJAVA O USKLADENOSTI**

Techtronic Industries GmbH  
Max-Eyth-Straße 10, 71364 Winnenden, Germany

Ovime izjavljujemo da su proizvodi  
Tračna pila  
Marka: Ryobi  
Broj modela: RBS904  
Raspon serijskog broja: 46204501000001 - 46204501999999

uskladen sa sljedećim Europskim Direktivama i usklađenim normama  
2006/42/EC, 2014/30/EU, 2011/65/EU,  
EN 55014-1:2006+A1:2009+A2:2011; EN55014-2: 2015;  
EN 61000-3-2:2014; EN 61000-3-3:2013;  
EN61029-1:2009+A11:2010; EN61029-2-5:2011+A11:2015

Nadzorno tijelo 2140, DEKRA Testing and Certification GmbH Enderstraße  
92b 01277 Dresden Germany, izdalo je odobrenje tipa EC i broj certifikata je  
4812015.16003 .

RoHS dokumentacija sukladna je EN 50581:2012.

**CE**

Andrew John Eyre (BEng, CEng, MIET)  
Potpredsjednik za Pravila i Sigurnost  
Winnenden, Oct. 13, 2016

Ovlašten da sastavi tehničku datoteku:  
Alexander Krug, Direktor Upravljanja  
Techtronic Industries GmbH  
Max-Eyth-Straße 10, 71364 Winnenden, Germany



**(SL) IZJAVA EC O SKLADNOSTI**

Techtronic Industries GmbH  
Max-Eyth-Straße 10, 71364 Winnenden, Germany

*Izjavljamo, da je izdelek*  
Tračna žaga  
Znamka: Ryobi  
Številka modela: RBS904  
Razpon serijskih števil: 46204501000001 - 46204501999999

*v skladu s sledečimi evropskimi direktivami in harmoniziranimi standardi*  
2006/42/EC, 2014/30/EU, 2011/65/EU,  
EN 55014-1:2006+A1:2009+A2:2011; EN55014-2: 2015;  
EN 61000-3-2:2014; EN 61000-3-3:2013;  
EN61029-1:2009+A11:2010; EN61029-2-5:2011+A11:2015

Priglašeni organ 2140, DEKRA Testing and Certification GmbH Enderstraße 92b 01277 Dresden Germany, je izdelal EC homologacijo, številka certifikata pa je 4812015.16003.

Dokumentacija RoHS je sestavljena skladno s standardom EN 50581:2012.

Andrew John Eyre (BEng, CEng, MIET)  
Podpredsednik, Zakonodajne In Varnostne Zadeve  
Winnenden, Oct. 13, 2016

Pooblaščenca oseba za sestavo tehnične dokumentacije:  
Alexander Krug, Izvršni Direktor  
Techtronic Industries GmbH  
Max-Eyth-Straße 10, 71364 Winnenden, Germany

**CE****(EL) ΕΚ ΔΗΛΩΣΗ ΣΥΜΜΟΡΦΩΣΗΣ**

Techtronic Industries GmbH  
Max-Eyth-Straße 10, 71364 Winnenden, Germany

*Δια του παρόντος δηλώνουμε ότι το προϊόν*  
Πρινοκορδέλα  
Μάρκα: Ryobi  
Αριθμός μοντέλου: RBS904  
Εύρος σειριακών αριθμών: 46204501000001 - 46204501999999

*είναι σύμφωνο με τις παρακάτω Ευρωπαϊκές Οδηγίες και εναρμονισμένα πρότυπα*  
2006/42/EC, 2014/30/EU, 2011/65/EU,  
EN 55014-1:2006+A1:2009+A2:2011; EN55014-2: 2015;  
EN 61000-3-2:2014; EN 61000-3-3:2013;  
EN61029-1:2009+A11:2010; EN61029-2-5:2011+A11:2015

Κοινοποιημένος Οργανισμός: DEKRA Testing and Certification GmbH Enderstraße 92b 01277 Dresden Germany Αρ. Κοινοποιημένος Οργανισμός: 2140 Αρ. πιστοποιητικού: BM 4812015.16003

Τα έγγραφα RoHS συντάσσονται σύμφωνα με το EN50581:2012.

Andrew John Eyre (BEng, CEng, MIET)  
Αντιπρόεδρος, Τμήμα Ρυθμίσεων & Ασφάλειας  
Winnenden, Oct. 13, 2016

Εξουσιοδοτημένο άτομο για σύνταξη τεχνικού αρχείου:  
Alexander Krug, Διευθύνων Σύμβουλος  
Techtronic Industries GmbH  
Max-Eyth-Straße 10, 71364 Winnenden, Germany

**CE****(SK) PREHLÁSENIE O ZHODE EC**

Techtronic Industries GmbH  
Max-Eyth-Straße 10, 71364 Winnenden, Germany

*Týmto vyhlasujeme, že výrobok*  
Pásová píla  
Značka: Ryobi  
Číslo modelu: RBS904  
Rozsah sériových čísiel: 46204501000001 - 46204501999999

*je v súlade s nasledujúcimi Európskymi smernicami a harmonizovanými normami*  
2006/42/EC, 2014/30/EU, 2011/65/EU,  
EN 55014-1:2006+A1:2009+A2:2011; EN55014-2: 2015;  
EN 61000-3-2:2014; EN 61000-3-3:2013;  
EN61029-1:2009+A11:2010; EN61029-2-5:2011+A11:2015

Uповедоменý orgán 2140, DEKRA Testing and Certification GmbH Enderstraße 92b 01277 Dresden Germany, previedol schválenie typu EC a certifikáciu č 4812015.16003.

Dokumentácia RoHS je zostavená podľa EN 50581:2012.

Andrew John Eyre (BEng, CEng, MIET)  
Viceprezident, Regulácia a Bezpečnosť  
Winnenden, Oct. 13, 2016

Oprávnená osoba na zostavenie technického súboru:  
Alexander Krug, Generálny Riaditeľ  
Techtronic Industries GmbH  
Max-Eyth-Straße 10, 71364 Winnenden, Germany

**CE****(TR) EC UYGUNLUK BEYANI**

Techtronic Industries GmbH  
Max-Eyth-Straße 10, 71364 Winnenden, Germany

*Böylelikle beyan ederiz ki; ürün*  
Şerit testere  
Marka: Ryobi  
Model numarası: RBS904  
Seri numarası aralığı: 46204501000001 - 46204501999999

*aşağıdaki Avrupa Direktifleri ve uyumlaştırmış standartlara uygundur*  
2006/42/EC, 2014/30/EU, 2011/65/EU,  
EN 55014-1:2006+A1:2009+A2:2011; EN55014-2: 2015;  
EN 61000-3-2:2014; EN 61000-3-3:2013;  
EN61029-1:2009+A11:2010; EN61029-2-5:2011+A11:2015


Onaylanmış kuruluş: DEKRA Testing and Certification GmbH Enderstraße 92b 01277 Dresden Germany. Onaylanmış kuruluş No: 2140  
Sertifika No: BM 4812015.16003

RoHS belgeleri EN 50581:2012 uyarınca derlenmiştir.

Andrew John Eyre (BEng, CEng, MIET)  
Başkan Vekili, Düzenleme ve Güvenlik  
Winnenden, Oct. 13, 2016

Teknik dosya hazırlamaya yetkilidir:  
Alexander Krug, Genel Müdür  
Techtronic Industries GmbH  
Max-Eyth-Straße 10, 71364 Winnenden, Germany

**CE**

 **ДЕКЛАРАЦІЯ ПРО ВІДПОВІДНІСТЬ**

Techtronic Industries GmbH  
Max-Eyth-Straße 10, 71364 Winnenden, Germany

*При цьому ми заявляємо, що продукт*

Стрічкова пила

Марка: Ryobi

Номер моделі: RBS904

Діапазон серійного номеру: 46204501000001 - 46204501999999

*у відповідності з наступними європейськими директивами та гармонізованими стандартами*

2006/42/EC, 2014/30/EU, 2011/65/EU,


EN 55014-1:2006+A1:2009+A2:2011; EN55014-2: 2015;

EN 61000-3-2:2014; EN 61000-3-3:2013;

EN61029-1:2009+A11:2010; EN61029-2-5:2011+A11:2015

Уповноважений орган № 2140, DEKRA Testing and Certification GmbH  
Enderstraße 92b 01277 Dresden Germany, здійснив затвердження типу EC, і  
сертифікат № 4812015.16003

Документація RoHS складена відповідно до EN 50581:2012.



Andrew John Eyre (BEng, CEng, MIET)  
Віце-президент, регулювання і безпека  
Winnenden, Oct. 13, 2016

Дозвіл на складання технічного файла:

Alexander Krug, Керуючий директор

Techtronic Industries GmbH

Max-Eyth-Straße 10, 71364 Winnenden, Germany







**Techtronic Industries GmbH**  
Max-Eyth-Straße 10,  
71364 Winnenden, Germany

